

**CATALOG OF
REPLACEMENT PARTS
HEG-E AND WEG-E
HEAVY DUTY ELECTRIC GRIDDLE**

ITW Food Equipment Group

VULCAN



MODELS

**HEG24E
HEG36E
HEG48E
HEG60E
HEG72E**

**WEG24E
WEG36E
WEG48E
WEG60E
WEG72E**



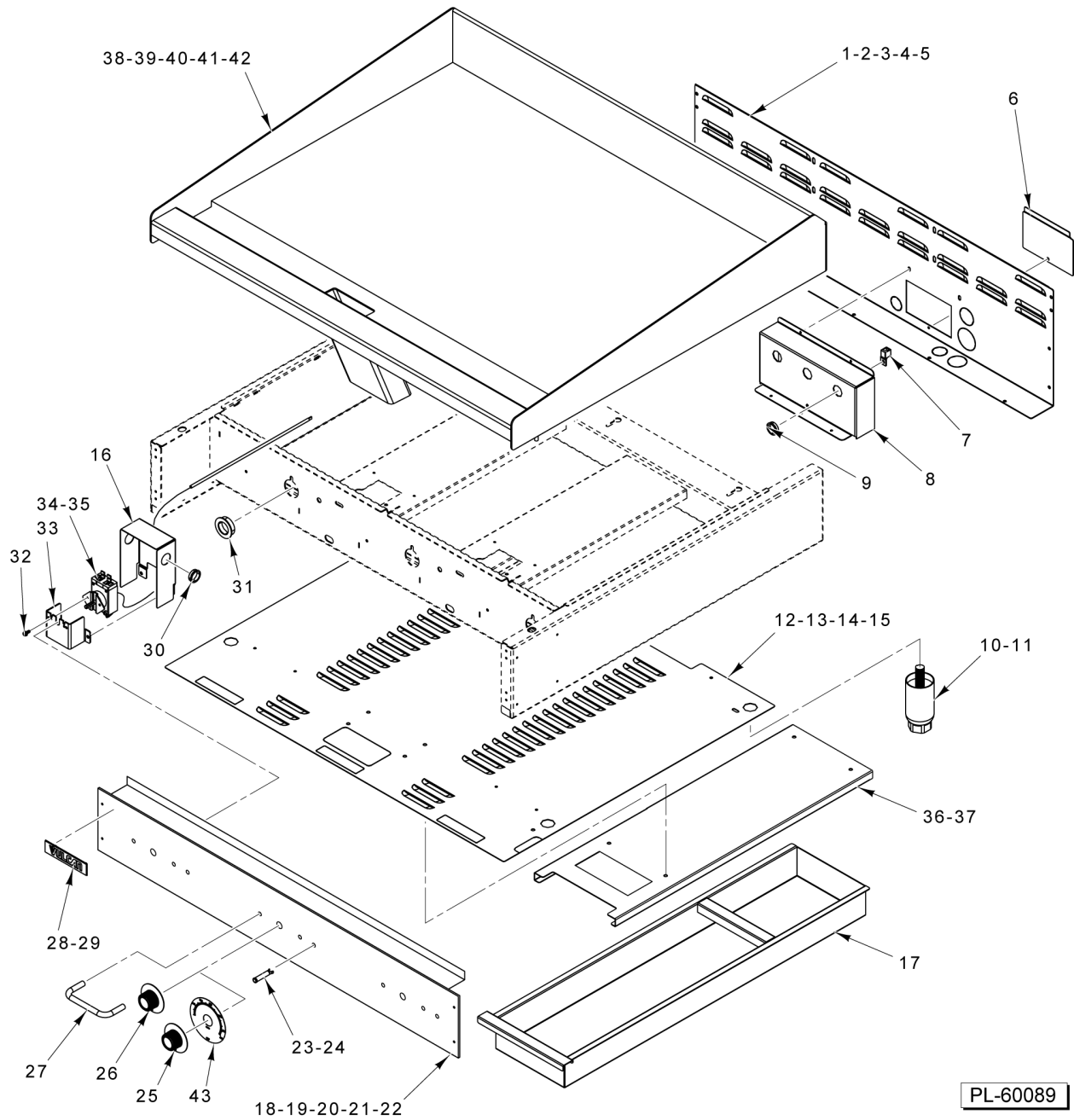
For additional information on Vulcan-Hart Company or to locate an authorized parts and service provider in your area, visit our website at www.vulcanequipment.com

Table of Contents

5 CONTROLS AND PANELS
7 ELEMENTS

44	00-944400-00024	Kit - Wiring	48	00-944400-00072	Kit - Wiring
45	00-944400-00036	Kit - Wiring	49	00-719566	Sleeving - Silicon
46	00-944400-00048	Kit - Wiring	50	00-345463-00002	Kit - Wire Nut
47	00-944400-00060	Kit - Wiring			

PARTS NOT ILLUSTRATED



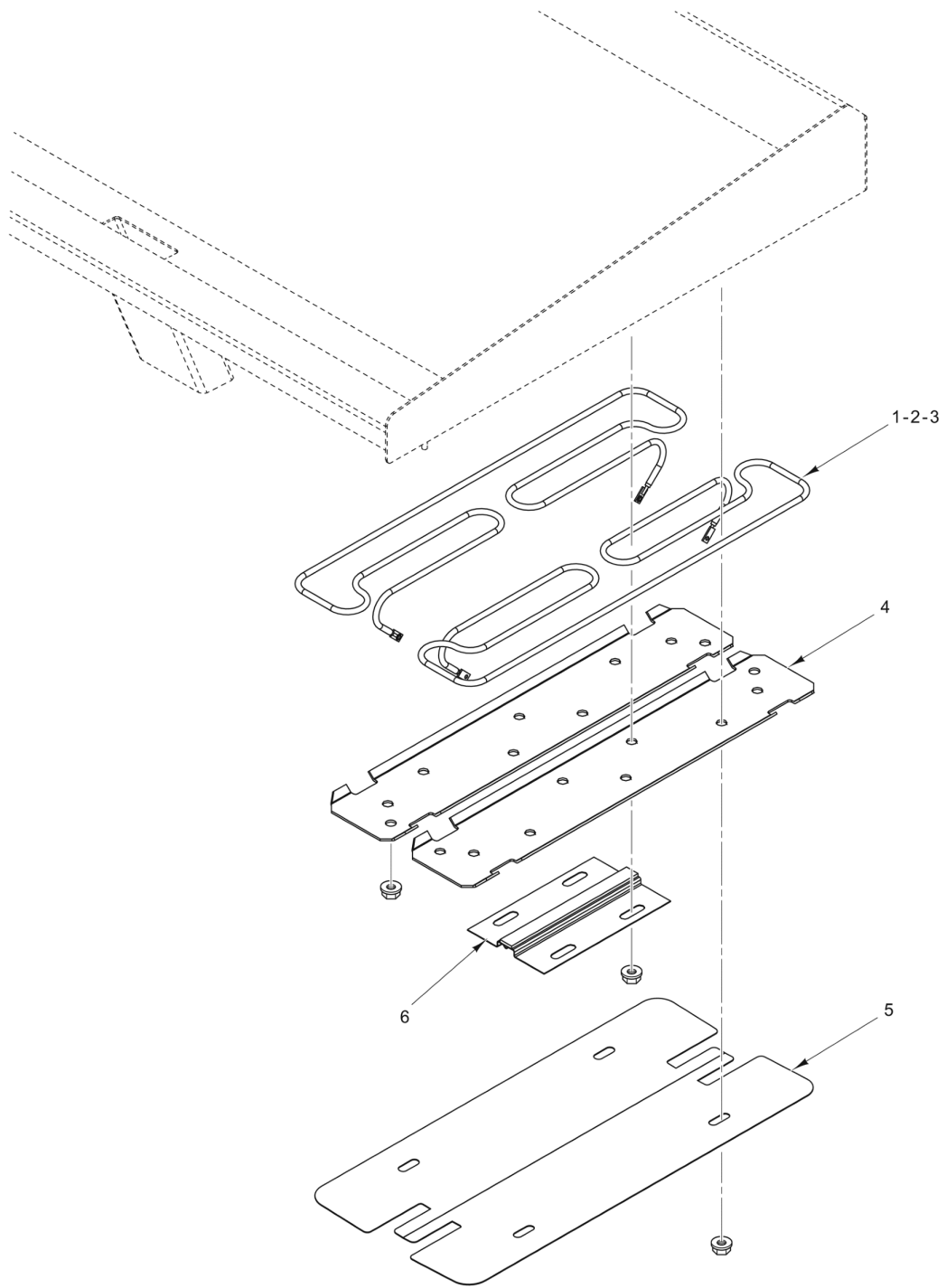
PL-60089

CONTROLS AND PANELS

CONTROLS AND PANELS

ILLUS.	PART NO.	NAME OF PART	AMT.
PL-60089			
1	00-944203-00024	Panel - Back (24 In.).....	1
2	00-944203-00036	Panel - Back (36 In.).....	1
3	00-944203-00048	Panel - Back (48 In.).....	1
4	00-944203-00060	Panel - Back (60 In.).....	1
5	00-944203-00072	Panel - Back (72 In.).....	1
6	00-944210	Cover - Junction Box.....	AR
7	00-498569-00001	Lug - Grounding.....	AR
8	00-944211	Box - Junction.....	AR
9	00-944209-000SM	Grommet.....	AR
10	00-944412	Leg.....	4
11	00-723532	Leg - Adjustable (6 In. Lg.).....	4
12	00-944205-00024	Panel - Bottom (24 In.) (24 Series Only).....	1
13	00-944205-00036	Panel - Bottom (36 In.) (36 & 60 Series Only).....	1
14	00-944205-00048	Panel - Bottom (48 In.) (48 & 72 Series Only).....	1
15	00-944205-06072	Panel - Bottom (60 & 72 Series Only).....	1
16	00-944215	Heat Shield - Thermostat.....	AR
17	00-498082-0000A	Trough - Grease.....	AR
18	00-944204-00024	Panel - Front (24 In.).....	1
19	00-944204-00036	Panel - Front (36 In.).....	1
20	00-944204-00048	Panel - Front (48 In.).....	1
21	00-944204-00060	Panel - Front (60 In.).....	1
22	00-944204-00072	Panel - Front (72 In.).....	1
23	00-342575-00001	Indicating Light (208/240 V.).....	AR
24	00-498631-00001	Indicating Light (480 V.).....	AR
25	00-498041-00012	Knob (Starting S/N 650201010).....	AR
*	00-976870-12250	Knob Red/Chrome	1
26	00-498697	Knob - Control (Before S/N 650201010).....	AR
27	00-498690	Guard - Knob.....	AR
28	00-957916-00003	Nameplate - Small (Vulcan).....	1
29	00-723204	Nameplate - Small (Wolf) Nameplate (Wolf).....	1
30	00-944209-000SM	Grommet.....	AR
31	00-944209-000LG	Grommet.....	AR
32	SD-036-80	Self-Tapping Screw 8-32 x 3/8 Hex Washer Hd., Type TT.....	AR
33	00-498407	Bracket - Thermostat.....	1
34	00-944298	Thermostat (450 Deg.) (Before S/N 650201010).....	AR
35	00-976855-00450	Thermostat (Starting S/N 650201010).....	AR
36	00-498398	Grease Can Guide Bracket (Before March 2010).....	AR
37	00-498758	Guide - Bracket (Starting March 2010).....	AR
38		Griddle Plate Assy. (24 In.).....	1
39		Griddle Plate Assy. (36 In.).....	1
40		Griddle Plate Assy. (48 In.).....	1
41		Griddle Plate Assy. (60 In.).....	1
42		Griddle Plate Assy. (70 In.).....	1
43	00-498945-0000A	Dial - 450 degree-for use with composite griddle plates. (Starting S/N 650201010)	1
44	00-944400-00024	Kit - Wiring (All Voltages) (24 Series).....	1
45	00-944400-00036	Kit - Wiring (All Voltages) (36 Series).....	1
46	00-944400-00048	Kit - Wiring (All Voltages) (48 Series).....	1
47	00-944400-00060	Kit - Wiring (All Voltages) (60 Series).....	1
48	00-944400-00072	Kit - Wiring (All Voltages) (72 Series).....	1
49	00-719566	Sleeving - Silicon.....	AR
50	00-345463-00002	Kit - Wire Nut (10 AWG).....	AR

* Use 00-976876-00450 Dial plate



PL-60088

ELEMENTS

ELEMENTS

ILLUS.	PART NO.	NAME OF PART	AMT.
PL-60088			
1	00-351360-00001	Heating Unit (208 V.).....	AR
2	00-351360-00002	Heating Unit (240 V.).....	AR
3	00-351360-00003	Heating Unit (480 V.) (CG41/56/58/59/68).....	AR
4	00-342567-00001	Pressure Plate - Heating Unit.....	AR
5	00-944207	Shield - Baffle (Element).....	AR
6	00-342573-00001	Bulb Clamp (208/230 V.).....	AR
	00-498562-00001	Stud 5/16-18 x 1-1/2.....	AR
	00-498565-00001	Lock Nut 1/4-20.....	AR
	00-498566-00001	Lock Nut 5/16-18.....	AR
	00-498567-00001	Flange Nut 5/16-18.....	AR
	00-730307	Washer.....	AR

