



# ***INSTALLATION & OPERATION MANUAL HEAVY DUTY GAS GRIDDLES***



VCCG36

## **MODELS**

VCCG24  
VCCG36  
VCCG48  
VCCG60  
VCCG72

For additional information on Vulcan or to locate an authorized parts and service provider in your area, visit our website at [www.vulcanequipment.com](http://www.vulcanequipment.com)

## IMPORTANT FOR YOUR SAFETY

THIS MANUAL HAS BEEN PREPARED FOR PERSONNEL QUALIFIED TO INSTALL GAS EQUIPMENT, WHO SHOULD PERFORM THE INITIAL FIELD START-UP AND ADJUSTMENTS OF THE EQUIPMENT COVERED BY THIS MANUAL.

POST IN A PROMINENT LOCATION THE INSTRUCTIONS TO BE FOLLOWED IN THE EVENT THE SMELL OF GAS IS DETECTED. THIS INFORMATION CAN BE OBTAINED FROM THE LOCAL GAS SUPPLIER.

### IMPORTANT

IN THE EVENT A GAS ODOR IS DETECTED, SHUT DOWN UNITS AT MAIN SHUTOFF VALVE AND CONTACT THE LOCAL GAS COMPANY OR GAS SUPPLIER FOR SERVICE.

### FOR YOUR SAFETY

DO NOT STORE OR USE GASOLINE OR OTHER FLAMMABLE VAPORS OR LIQUIDS IN THE VICINITY OF THIS OR ANY OTHER APPLIANCE.

### WARNING

Improper installation, adjustment, alteration, service or maintenance can cause property damage, injury, or death. Read the installation, operating and maintenance instructions thoroughly before installing or servicing this equipment.

IN THE EVENT OF A POWER FAILURE, DO NOT ATTEMPT TO OPERATE THIS DEVICE.

# TABLE OF CONTENTS

GENERAL.....	4
Specifications.....	4
INSTALLATION.....	4
Unpacking.....	4
Location.....	4
Installation Codes and Standards.....	5
Griddle Mounted On Stands with Casters.....	5
Flue Connections.....	6
Stands.....	6
Gas Connections.....	6
Testing The Gas Supply System.....	6
Gas Pressure Regulation.....	7
Electrical Connections .....	7
OPERATION.....	7
Before First Use.....	7
Seasoning The Griddle.....	8
Controls .....	8
Startup Of Griddle.....	9
Shutdown Of Griddle.....	10
Extended Shutdown Of Griddle.....	10
Using The Griddle.....	10
Zone Cooking.....	10
CLEANING.....	11
Cleaning The Standard Steel Griddle Plate Cooking Surface.....	12
Cleaning The Optional Chrome Griddle Griddle Plate Cooking Surface .....	13
Cleaning The Optional Rapid Recovery™ Griddle Plate Cooking Surface .....	13
ADJUSTMENTS.....	14
Calibration.....	14
Leveling.....	15
MAINTENANCE.....	15
General.....	15
Vent.....	15
Service and Parts Information.....	15
TROUBLESHOOTING.....	16
ACCESSORY INSTALLATION.....	17

# INSTALLATION, OPERATION AND CARE OF HEAVY DUTY GAS GRIDDLES GENERAL

VCCG Heavy Duty Gas Griddles are produced with quality workmanship and materials. Proper installation, usage and maintenance of your griddle will result in many years of satisfactory performance.

Thoroughly read this entire manual and carefully follow all of the instructions provided.

Model	Number of Burners	BTU/hr Input Standard Infrared Burner		BTU/hr Input Optional U-Shaped Burner
		Natural Gas	Propane Gas	
VCCG24	2	48,000	44,000	60,000
VCCG36	3	72,000	66,000	90,000
VCCG48	4	96,000	88,000	120,000
VCCG60	5	120,000	110,000	150,000
VCCG72	6	144,000	132,000	180,000

## INSTALLATION

Before installing, verify that the type of gas supply (natural gas or propane) agrees with the specifications on the rating plate located on the outside right of the unit. If the supply and equipment requirements do not agree, do not proceed with the installation. Contact your dealer immediately. It is recommended that a trained gas service technician with the necessary tools, instruments and skills perform the installation of the griddle.

### UNPACKING

This griddle was inspected before leaving the factory. The carrier assumes full responsibility for the safe delivery upon acceptance of the shipment. Check for possible shipping damage immediately after receipt.

If the griddle is found to be damaged, complete the following steps:

1. Carrier must be notified within 5 business days of receipt.
2. Carrier's local terminal must be notified immediately upon discovery (note time, date, and who was spoken to), and follow up and confirm with written or electronic communication.
3. All original packing materials must be kept for inspection purposes.
4. The griddle cannot have been moved, installed, or modified.
5. Notify Vulcan Customer Service immediately at 800-814-2028.

Carefully unpack your griddle and make sure that no parts are discarded with packaging material.

### LOCATION

The installation location must be kept free and clear of combustibles. When installing, never enclose the bottom of the griddle with a raised curb or other constructions that would obstruct flow of air into or out of the griddle. Adequate clearance for air openings into the combustion chamber must be provided. Make sure there is an adequate supply of air in the room to replace air taken out by the ventilation system.

Do not permit air to blow directly at the griddle. Avoid open windows next to the griddle wherever possible. Avoid wall-type fans which create air cross-currents within the room.

This griddle is Design Certified for installation on a non-combustible counter with 4" legs, or combustible floor with a stand.

**INSTALLATION CLEARANCES**

	COMBUSTIBLE CONSTRUCTION	NON-COMBUSTIBLE CONSTRUCTION
Back:	6"	0"
Right	6"	0"
Left Side	6"	0"

**INSTALLATION CODES AND STANDARDS**

The griddle must be installed in accordance with:

In the United States of America:

1. State and local codes.
2. National Fuel Gas Code, ANSI-Z223.1/NFPA #54 (latest edition). This shall include but not be limited to: NFPA #54 Section 10.3.5.2 for Venting. Copies may be obtained from The American Gas Association Accredited Standards Committee Z223, @ 400 N. Capital St. NW, Washington, DC 20001 or the Secretary Standards Council, NFPA, 1 Batterymarch Park Quincy, MA 02169-7471

NOTE: In the Commonwealth of Massachusetts

All gas appliances vented through a ventilation hood or exhaust system equipped with a damper or with a power means of exhaust shall comply with 248 CMR.

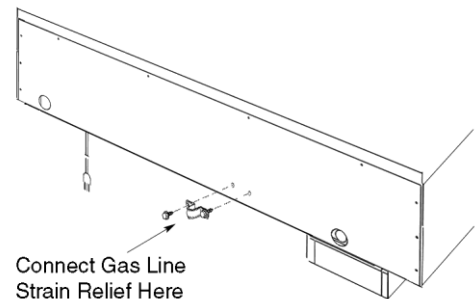
3. NFPA Standard # 96 *Vapor Removal from Cooking Equipment*, latest edition, available from the National Fire Protection Association, Batterymarch Park, Quincy, MA 02269.

In Canada:

1. Local codes.
2. CAN/CSA-B149.1 Natural Gas Installation (latest edition)
3. CAN/CSA-B149.2 Propane Installation Code (latest edition), available from the Canadian Gas Association, 178 Rexdale Blvd., Etobicoke, Ontario, Canada M9W 1R3

**GRIDDLES MOUNTED ON STANDS WITH CASTERS**

Griddles mounted on stands with casters must use a flexible connector (not supplied) that complies with the Standard for Connectors for Movable Gas Appliances ANSI Z21.69•CSA6.16, and a quick-disconnect device that complies with Gas Fuel, ANSI Z21.3•CSA6.9. In addition, adequate means must be provided to limit movement of the appliance without depending on the connector and the quick-disconnect device (or its associated piping) to limit appliance movement. Attach the restraining device at the rear of the griddle as shown.



If disconnection of the restraint is necessary, turn off the gas supply before disconnecting. Reconnect the restraint prior to turning the gas supply on and returning the griddle to its installation position.

Casters are only supplied on a griddle stand. If the griddle is moved for any reason the griddle should be re-leveled (see LEVELING in this manual).

## FLUE CONNECTIONS

Do not obstruct the flow of flue gases from the flue, located at the rear of the griddle. It is recommended that flue gases be ventilated to the outside of the building through a ventilation system installed by qualified personnel.

From the termination of the flue to the filters of the hood venting system, a minimum clearance of 18" must be maintained.

Information on the construction and installation of ventilating hoods may be obtained from the standard for "Vapor Removal from Cooking Equipment", NFPA No. 96 (latest edition), available from the National Fire Protection Association, Batterymarch Park, Quincy, MA 02269.

## STANDS

The griddle has an optional stainless steel stand with locking casters.

## GAS CONNECTIONS

**▲ WARNING** Gas supply connections and any pipe joint compound must be resistant to the action of propane gases.

Use a ¾" NPT gas supply line for the griddle inlet, located at the rear of the griddle. All flexible and semi-rigid gas supply lines must comply with the applicable ANSI standard. To ensure maximum operating efficiency this appliance must be connected with a gas supply line of solid pipe or a commercial type Flexible Connector with the net inside diameter (I.D.) as large as or larger than the gas pipe inlet on this appliance. Codes require that a gas shutoff valve must be installed in the gas line upstream of the griddle.

**▲ WARNING** Prior to lighting, check all joints in the gas supply line for leaks. Use soap and water solution. Do not use an open flame.

After checking for leaks all lines receiving gas should be fully purged to remove air.

## TESTING THE GAS SUPPLY SYSTEM

When the gas supply pressure exceeds ½ psig (3.45 kPa), the griddle and its individual shutoff valve must be disconnected from the gas supply piping system.

When the gas supply pressure is ½ psig (3.45 kPa) or less, the griddle should be isolated from the gas supply system by closing its individual manual shutoff valve.

## **GAS PRESSURE REGULATION**

The VCCG griddle is constructed with internal gas regulators on each burner valve. The valves are pre set to 4" W.C. on natural gas units or 10" W.C. on propane gas units. An external gas regulator is not required as long as the gas pressure supplied to the unit is not greater than ½ psig (3.45 kPa) or 14" W.C. The recommended supply pressure (upstream of the griddle) should be 7-9" W.C. for natural gas and 11-12" W.C. for propane gas.

**NOTICE** At no time should the griddle be connected to supply pressure greater than ½ psig (3.45 kPa) or 14" W.C.

## **ELECTRICAL CONNECTIONS**

**WARNING** Electrical and grounding connections must comply with the applicable portions of the National Electrical Code and/or other local electrical codes.

**WARNING** Disconnect the electrical power to the griddle and follow lockout / tagout procedures.

**WARNING** Appliances equipped with a flexible electric supply cord are provided with a three-prong grounding plug. It is imperative that this plug be connected into a properly grounded three-prong receptacle. If the receptacle is not the proper grounding type, contact an electrician. Do not remove the grounding prong from this plug.

Power supply for electric ignition is 120 volts, 2 amp, 50/60 Hertz, 1 phase.

Do not connect the griddle to electrical supply until after gas connections are made.

## **OPERATION**

**WARNING** The griddle and its parts are hot. Use care when operating, cleaning or servicing the griddle.

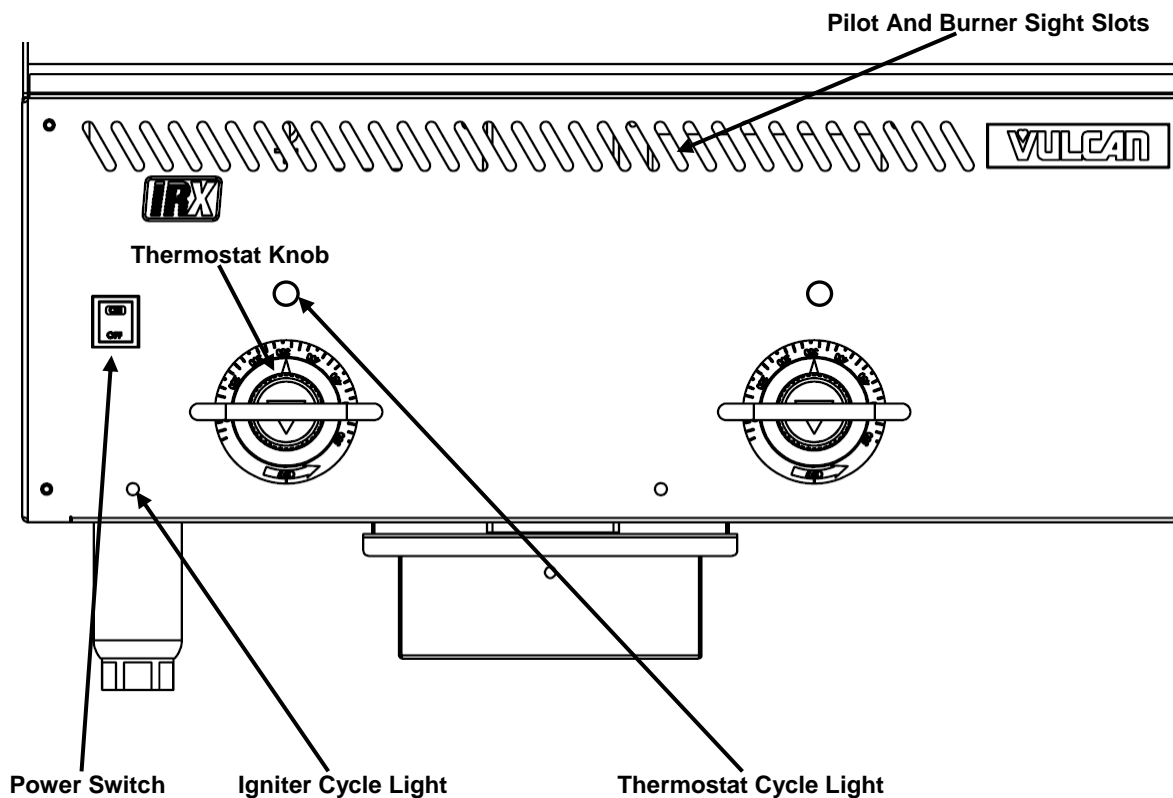
### **BEFORE FIRST USE**

Remove all packing material and protective plastic from the surfaces of the unit. Before leaving the factory the griddle is coated with vegetable oil as a rust inhibitor. Remove this film when the griddle plate is being cleaned prior to its first cooking use. Heat the griddle to 200-300°F to loosen and melt the coating, then clean the surface by adding water or a non-corrosive, grease dissolving commercial cleaner, following the manufacturer's directions. Scrape the oil residue from the plate with a griddle scraper. Rinse thoroughly and wipe dry with a soft clean cloth. Clean all accessories.

## SEASONING THE GRIDDLE

Season the griddle to avoid possible surface corrosion before first use, and after every cleaning. This will also help reduce the sticking of cooked food product. Heat griddle to a low temperature (300-350°F) and apply a small amount of cooking oil – about one ounce per square foot of surface. Use a soft lint-free cloth to spread the oil over the entire griddle surface to create a thin film. Wipe off any excess oil with a cloth. Repeat the procedure until the griddle has a slick, mirror-like finish.

## CONTROLS



## POWER SWITCH

The VCCG turns off and on by a single power switch. All thermostats should be placed in the off position before turning the power switch on. Once the pilots have lit and have been visually confirmed, the thermostats can be turned on one at a time. Start on the left most thermostat, set it to the desired temperature. Once that burner has lit and stays on for 10 seconds, you can proceed to move one thermostat to the right. If the burner fails to stay lit, turn off the thermostat and allow the pilot to relight before trying the thermostat again.

## IGNITOR CYCLE LIGHT

The igniter cycle light is a clear hole where the user can view the diagnostic LED on the ignition module. In order to view the light, user must have a straight line of sight through the hole to be able to see the green or red light. The igniter cycle lights are located at the 8 o'clock position to each corresponding thermostat knob. There is one pilot and one igniter cycle light for each burner (12" section of griddle). Once the power switch has been pushed to the ON position, the igniters will begin to ignite the pilots. The igniter cycle light will flash the color green while attempting



to ignite the pilot. Once the pilot is lit and recognized by the igniter safety, the light will illuminate a steady green color. The pilot must be ignited (burning) and the igniter cycle light must be emitting a steady green color before the griddle burner will be allowed to ignite.

If the pilot fails to ignite after approximately 90 seconds, the igniter cycle light will illuminate a flashing red color that indicates the pilot did not ignite. Pushing the power switch to the OFF position and then back to the ON position will restart the pilot ignition cycle and the pilots will attempt to ignite again.

## **THERMOSTAT KNOB**

Each 12" section of the griddle is independently controlled by a solid state thermostat control. The thermostats have an operating range of 150 to 550 degrees for standard steel and chrome plate surfaces (150 to 450 degrees for Rapid Recovery™ composite plate option). The thermostat knobs will need to be turned to a temperature setting for the burners to ignite. Each 12" griddle section may be turned off independently by setting the corresponding thermostat to the OFF position.

## **THERMOSTAT CYCLE LIGHT**

The thermostat cycle lights are located at the 12 o'clock position to each corresponding thermostat knob. The light will illuminate when the surface cooking temperature drops below the thermostat knob set point. The illumination of this light indicates that the burner for that zone is lit.

## **STARTUP OF GRIDDLE**

1. Set all thermostats to off position before turning unit on.
2. Push the power switch to the ON position. The red light behind the ON should illuminate indicating that electrical power is being supplied to the unit.
3. Once the pilots have lit and have been visually confirmed, the thermostats can be turned on one at a time. Start on the left most thermostat, set it to the desired temperature. Once that burner has lit and stays on for 10 seconds, you can proceed to move one thermostat to the right. If the burner fails to stay lit, turn off the thermostat and allow the pilot to relight before trying the thermostat again.
4. Check that all thermostat cycle lights are illuminating a steady red color to verify that all burners are lit and functioning properly.

## **SHUTDOWN OF GRIDDLE**

Push the power switch to the OFF position, all lights should go off indicating that the griddle is no longer heating.

## **EXTENDED SHUTDOWN OF GRIDDLE**

1. Push the power switch to the OFF position
1. Shut the main gas supply valve to the OFF position.
2. Unplug the griddle electrical supply cord.
3. Apply a coat of vegetable oil over the griddle plate to inhibit rust.

## **USING THE GRIDDLE**

To preheat, turn the burners on about 20 minutes before cooking.

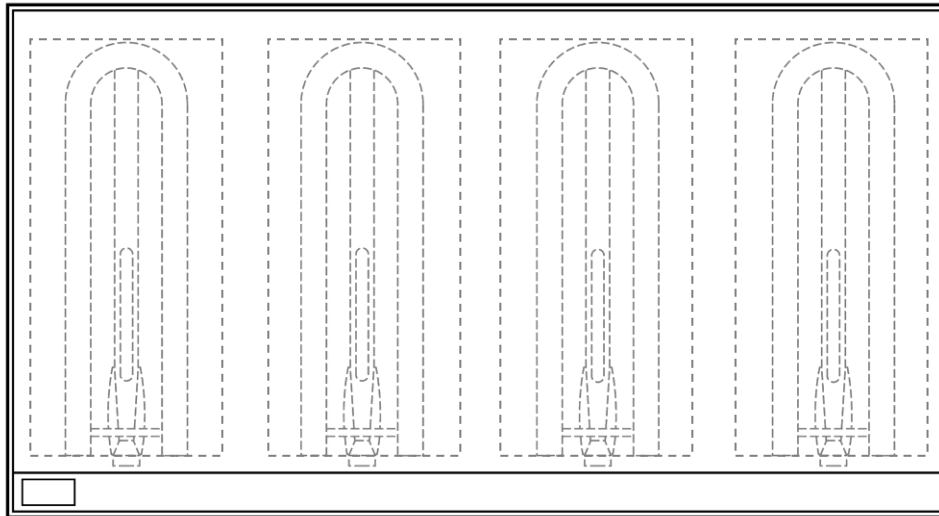
A uniform and systematic approach to loading the griddle will produce the most consistent product results.

The griddle plate is steel, but the surface is relatively soft and can be scored or dented by careless use of a spatula or scraper. Be careful not to dent, scratch, or gouge the plate surface. Do not try to knock off loose food that may be on the spatula by tapping the corner or the edge of the spatula on the griddle surface. Use spatulas with rounded edges. Do not use tempered steel utensils. Do not chop on the griddle cooking surface.

## **ZONE COOKING**

This griddle features infrared box burners in 12" sections (U-shaped burners optional), each controlled by independent thermostat controllers. Each 12" section is a separate cooking zone, and allows for cooking a variety of products over a single griddle plate.

The chart is a suggested usage of zone cooking. When zone cooking, it is suggested that you start with your lowest temperature setting at either side of the griddle, increasing the zone temperature as you move up the zone line. Typically, the temperature differential between the center of one cooking zone to the center of another zone that is directly adjacent cannot be varied by more than 50 degrees. Some heat transfer from one area to the next is to be expected. These zone cooking guidelines will vary depending on product temperatures, size and shape. This guide should be adjusted to suit your product and operational cooking preference.



<b>ZONE 1 (300°F)</b>	<b>ZONE 2 (350°F)</b>	<b>ZONE 3 (350°F)</b>	<b>ZONE 4 (400°F)</b>
<b>PRODUCT</b> Sausage Eggs (Hard Fried) Eggs (Scrambled) Burger (Well Done) Steak (Well Done) Chicken Breast Frozen Foods Pork Chops	<b>PRODUCT</b> Pancakes French Toast Bacon Eggs (Sunny Side Up) Boiled Ham Steak (Medium Well) Fresh Burger (Medium Well) Small Frozen Burger (Medium Well)	<b>PRODUCT</b> Omelet Hash Browns Canadian Bacon	<b>PRODUCT</b> Steak (Rare) Stir Fry Vegetables Salmon Fish Cakes Lobster Scampi

## CLEANING

**⚠ WARNING** The griddle and its parts are hot. Use care when operating, cleaning or servicing the griddle.

**NOTICE** Do not use a water jet stream to clean the griddle.

Empty the grease drawer as needed throughout the day and regularly clean at least once daily.

Clean the griddle regularly. A clean griddle always looks better, lasts longer and performs better. To produce evenly cooked, perfectly browned griddle products keep the griddle plate clean and free of carbonized grease. Carbonized grease on the surface hinders the transfer of heat from the griddle surface to the food, resulting in spotty browning and loss of cooking efficiency. Carbonized grease tends to cling to griddle foods, giving them a highly unsatisfactory and unappetizing appearance.

To keep the griddle clean and operating at peak efficiency, follow these procedures:

### **AFTER EACH USE**

Clean the griddle cooking surface accordingly to the type of surface on your model. See the specific cleaning instructions by cooking surface finish. Empty the grease drawer throughout the day as needed.

### **ONCE PER DAY**

Thoroughly clean the griddle back splash, sides and front. Do not hit the backsplash with a spatula or any other tool. This may create a gap between the splash and griddle plate that is hard to clean. Remove, empty and wash the grease drawer in the same manner as an ordinary cooking utensil.

### **ONCE PER WEEK**

Clean the griddle surface thoroughly per the instructions for the surface finish of your particular model. After cleaning the plate, the griddle should be seasoned according to the instructions in this manual.

Clean stainless steel surfaces with a damp cloth and polish with a soft dry cloth. To remove discoloration, use a griddle cleaner.

If the griddle usage is very high, consider conducting this weekly cleaning procedure more than once per week.

## **CLEANING THE STANDARD STEEL GRIDDLE PLATE COOKING SURFACE**

### **AFTER EACH USE**

Clean the griddle cooking surface regularly with a griddle scraper during the work shift.

### **ONCE PER DAY**

Turn the griddle off and allow it to cool down between 275°F-300°F, apply room temperature water and clean it with a griddle scraper.

### **ONCE PER WEEK**

Clean the griddle surface thoroughly. Use a griddle brick, screen, or Scotch Bright™ pad on the surface as necessary. Rub with the grain of the metal while the griddle is still warm (not hot). A detergent may be used on the plate surface to help clean it, but be sure the detergent is thoroughly removed by flushing with clear water. After cleaning, reseason the cooking surface according to the instructions in this manual. If the griddle usage is very high, consider conducting this weekly cleaning procedure more than once per week.

## **CLEANING THE OPTIONAL CHROME GRIDDLE PLATE COOKING SURFACE**

### **AFTER EACH USE**

Clean the griddle cooking surface regularly with a palmetto brush and a bladed griddle scraper during the work shift. Never use an abrasive scouring pad or griddle brick on a chrome plate surface. The chrome surface can be damaged by careless use of a spatula or scraper.

### **ONCE PER DAY**

Clean chrome surfaces with a damp cloth and polish with a soft dry cloth.

### **ONCE PER WEEK**

If the chrome plate has become carbonized or blackened, use a non-abrasive, non-silicated cleaner such as Bon Ami®. Be sure the cleaning agent is thoroughly removed by flushing with clear water. Wipe with a damp cloth and polish with a soft dry cloth. After cleaning, reseason the cooking surface according to the instructions in this manual.

## **CLEANING THE OPTIONAL RAPID RECOVERY™ COMPOSITE GRIDDLE PLATE COOKING SURFACE**

The Rapid Recovery™ griddle plate is a composite material which is engineered to provide a high heat transfer rate to the food. The top surface is stainless steel and can be scored or dented by careless use of a spatula or scraper.

### **AFTER EACH USE**

Clean the griddle cooking surface regularly with Nemco Easy Grill Scraper™ or similar type of griddle scraper during the work shift.

### **ONCE PER DAY**

Turn the griddle off and allow it to cool down between 275°F-300°F, apply room temperature water and clean it with a griddle scraper.

### **ONCE PER WEEK**

Clean the griddle surface thoroughly with water, Scotch-Brite™ Quick Clean Griddle System or Ecolab Grease Express™ High-Temp Grill Cleaner. Be sure the cleaning agent is thoroughly removed by flushing with clear water. After cleaning, reseason the cooking surface according to the instructions in this manual.

If the griddle usage is very high, consider conducting this weekly cleaning procedure more than once per week.

Do not use a brick or griddle stone for cleaning.

Do not use chlorine sanitizer in contact with griddle. Contact can cause discoloration, corrosion and permanent damage.

Do not use cleaning agents including Sodium Hydroxide, which is common in household oven cleaners.

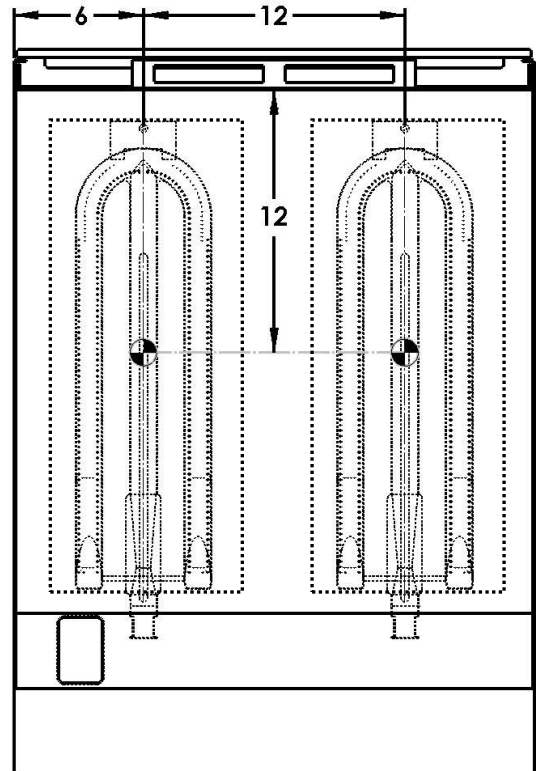
# ADJUSTMENTS

## CALIBRATION

1. Each thermostat controls a 12" zone of the griddle. Using a Surface Probe temperature measurement device, observe the temperatures at the center points of the cooking zones. These points are located by starting 6" from the side splash (left or right) and every 12" across the width of the griddle, with all points located 12" back from the front edge of the griddle plate.

NOTE: Use of infrared thermometers is not recommended. These devices are highly sensitive to surface color (clean or dirty), angle of reading and distance from the unit.

2. Set thermostats to 350°F and allow to stabilize, allowing the burner to cycle ON and OFF at least two times.
3. Watch for the thermostat cycle light to go OFF, then measure the temperature for that zone. The temperature should be 350°F ±10°F. If not, continue to Step 4.



4.
  - a. Carefully loosen the knob set screw. DO NOT allow the knob to turn. Carefully remove the knob from the thermostat shaft, exposing the temperature dial.
  - b. Loosen screws on the temperature dial and adjust so the temperature indicated by the knob arrow matches the griddle plate temperature reading. Knob will have to be placed back on the shaft to verify adjustment.



**Step 4a.** Set knob & check Temperature.  
Remove knob



**Step 4b.** – Adjust temperature dial & verify temperature setting

5. Once calibration is achieved, tighten the temperature dial screws and knob set screws.



**Step 5** –Replace knob & tighten screws

## LEVELING

The griddle must be level (side-to-side and front-to-back) during operation to ensure proper performance. Improper leveling can result in uneven temperature distribution, cold spots, and possibly damage electrical components.

1. Place a level on the griddle.
2. Adjust legs by turning the bullet feet at the bottom of each leg. Using pliers or a crescent wrench, turn the feet counter-clockwise to increase height, and clockwise to decrease height until leveling is achieved. Do not extend the legs more than 1- $\frac{3}{4}$ ".

## MAINTENANCE

**⚠ WARNING** The griddle and its parts are hot. Use care when operating, cleaning or servicing the griddle.

## GENERAL

The griddle should be checked yearly by a qualified gas service technician for proper calibration, proper gas pressure and grease or gas leaks.

## VENT

Daily, when the griddle is cool, check the flue vent (at rear of unit) and clear any obstructions.

## SERVICE AND PARTS INFORMATION

Contact the Service Contractor in your area to obtain service and parts information. For a complete listing of Service and Parts depots refer to [www.vulcanequipment.com](http://www.vulcanequipment.com).

When calling for service the following information should be available from the appliance serial plate: Model Number, Serial Number and Gas Type. The appliance serial plate is located on the right side panel.

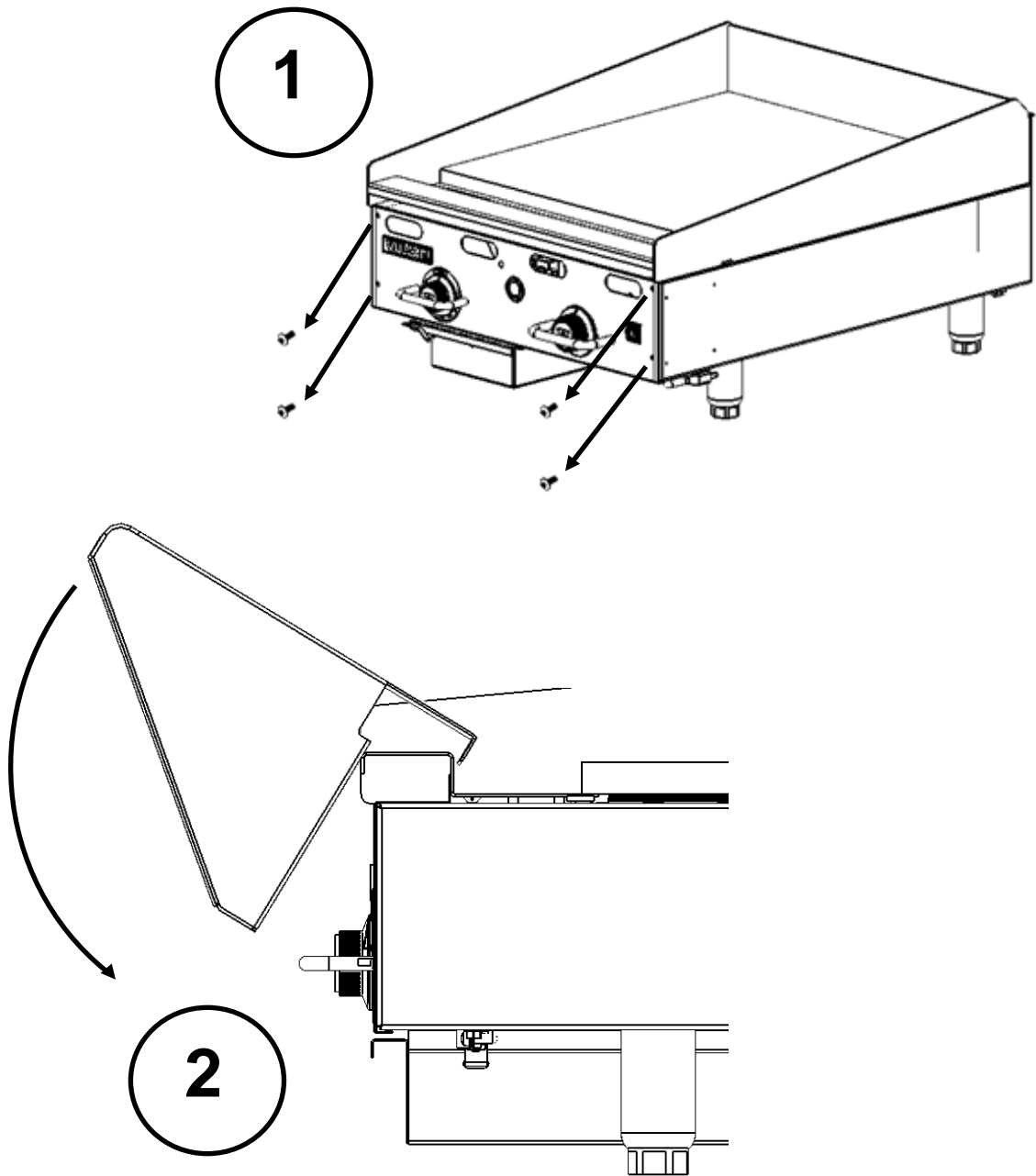
## TROUBLESHOOTING

PROBLEM	POSSIBLE CAUSES
Heat does not come on when individual thermostat knob is set	<ol style="list-style-type: none"> <li>1. Cooking surface temp is above set point.</li> <li>2. Pilot burner not lit.</li> <li>3. Problem with burner solenoid valves. (Call for service)</li> <li>4. Problem with thermocouple. (Call for service)</li> <li>5. Low gas pressure. (Call for service)</li> </ol>
Pilot burners will not light	<ol style="list-style-type: none"> <li>1. Main gas shut-off valve not in On position.</li> <li>2. Power switch not in ON position.</li> <li>3. Push power switch to OFF and back to ON to restart pilot ignition cycle.</li> <li>4. Problem with safety-ignition module. (Call for service)</li> <li>5. Obstructed pilot orifice. (Call for service)</li> <li>6. Low gas pressure. (Call for service)</li> </ol>
Pilot burner will not stay lit	<ol style="list-style-type: none"> <li>1. Obstructed orifice. (Call for service)</li> <li>2. Gas supply not purged of air. Air blowing pilot out. (Call for service)</li> <li>3. Problem with pilot safety valve. (Call for service)</li> <li>4. Electrode sensor not in flame. (Call for service)</li> <li>5. Low gas pressure. (Call for service)</li> </ol>
Fat appears to smoke excessively	<ol style="list-style-type: none"> <li>1. Temperature set too high.</li> <li>2. Moisture in food may be turning into steam</li> </ol>
Food sticks to griddle or burned around edges or contains dark specs	<ol style="list-style-type: none"> <li>1. Temperature set too high.</li> <li>2. Griddle surface requires cleaning and/or seasoning.</li> <li>3. Surface under food not covered with enough cooking oil.</li> </ol>
Food under-cooked inside	<ol style="list-style-type: none"> <li>1. Temperature set too low.</li> <li>2. Food not cooked for long enough time.</li> </ol>
Food tastes greasy or has objectionable off-flavor	<ol style="list-style-type: none"> <li>1. Food itself may have off-flavor.</li> <li>2. Food stored improperly before cooking.</li> <li>3. Too much griddle fat used.</li> <li>4. Temperature set too low.</li> </ol>
Noticeable build-up of gum on griddle	<ol style="list-style-type: none"> <li>1. Temperature set too high.</li> <li>2. Griddle surface needs cleaning and/or seasoning.</li> <li>3. Too much griddle fat used.</li> </ol>

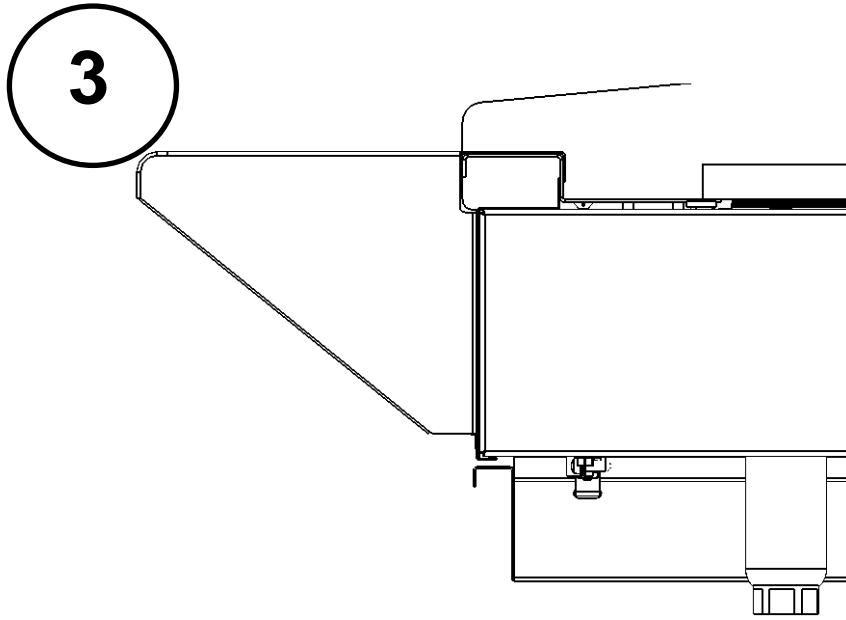


# ACCESSORY INSTALLATION

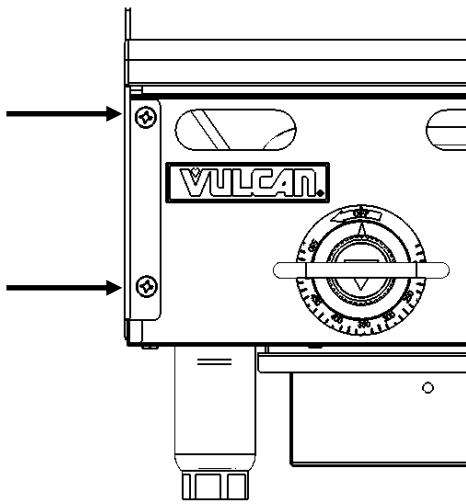
**⚠ WARNING** The griddle and its parts are hot. Use care when operating, cleaning or servicing the griddle.



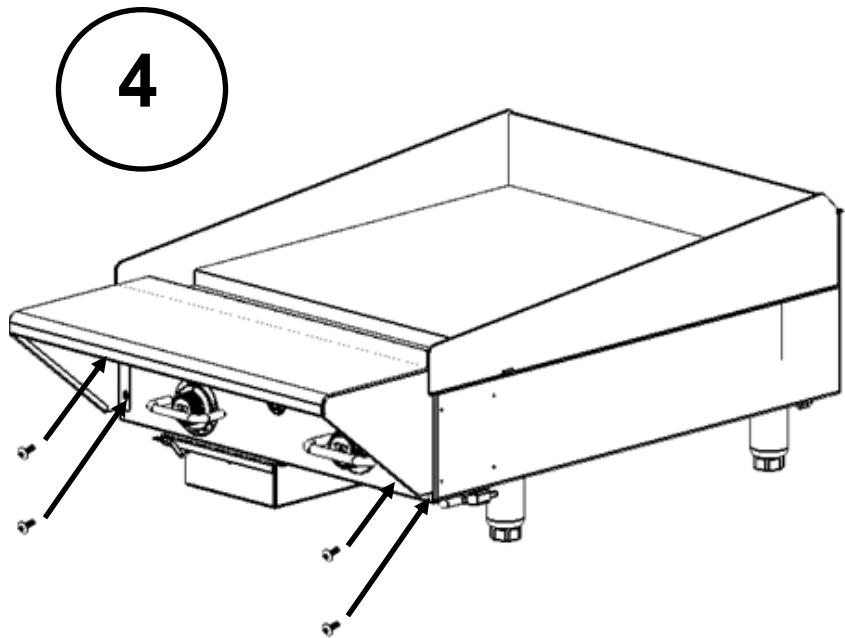
**SIDE VIEW**



**SIDE VIEW**

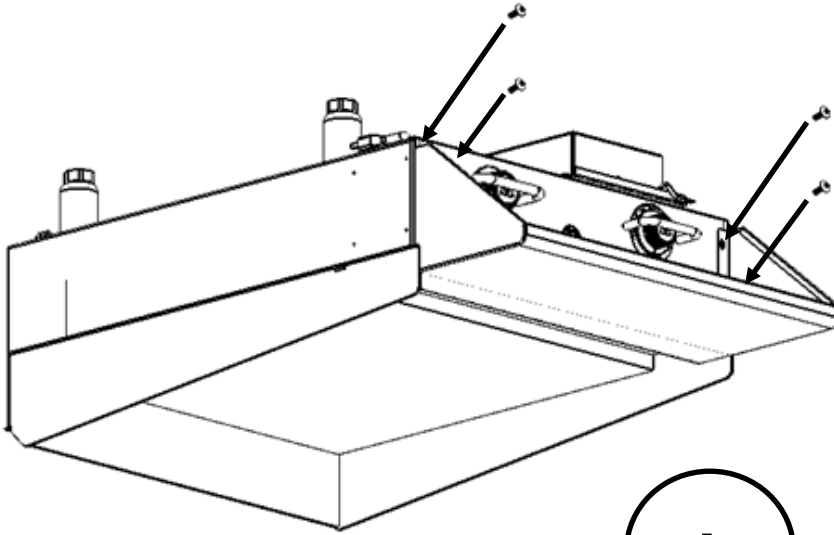


**FRONT VIEW**



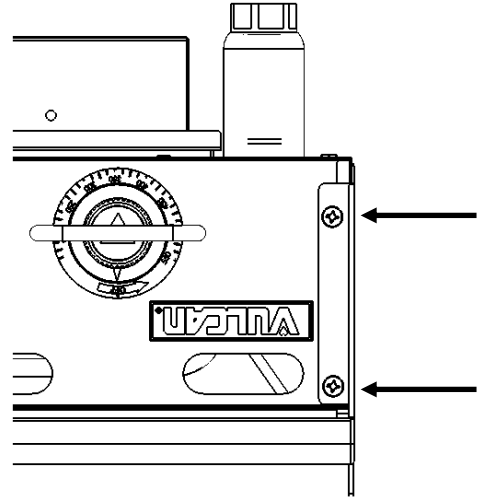
# NOTES

**NOTES**

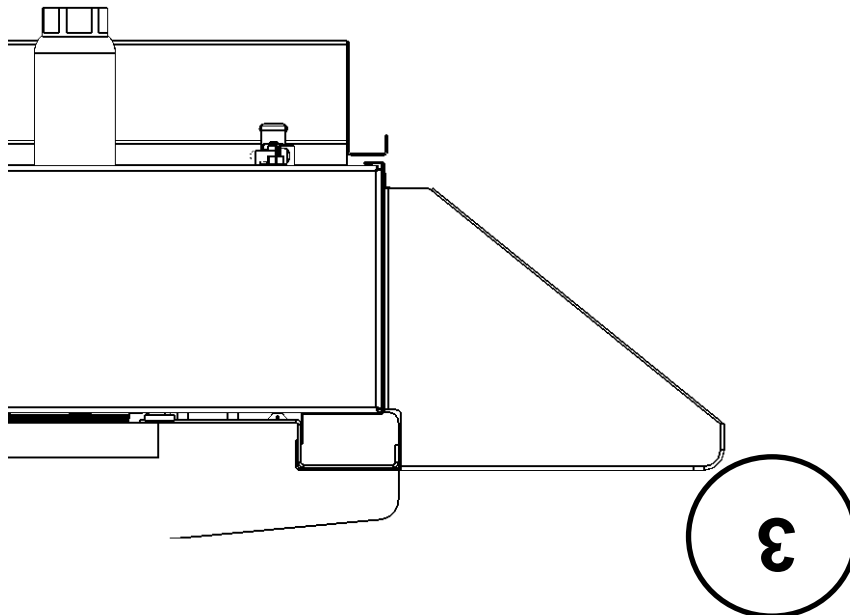


4

VUE DE FACE



VUE DE CÔTÉ

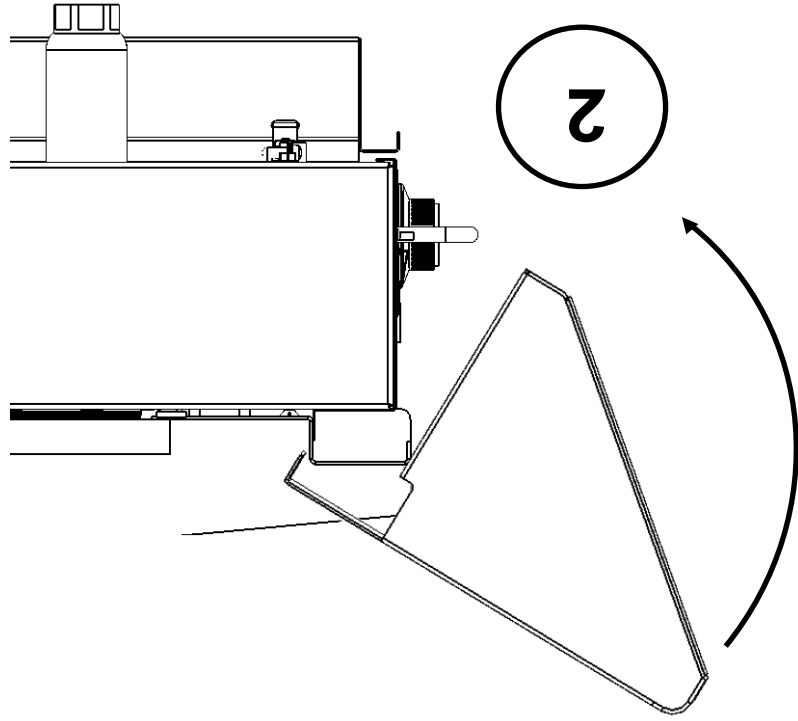
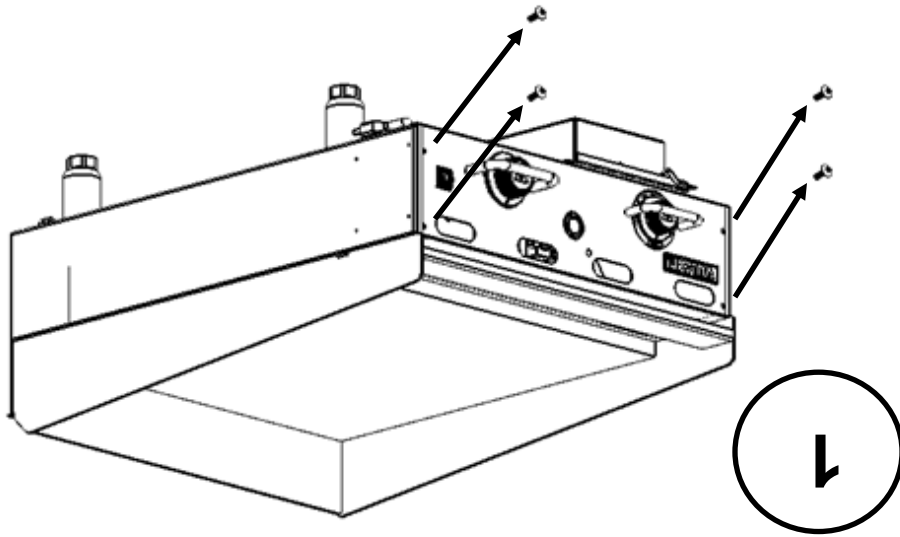


3

## INSTALLATION D'ACCESSOIRES

**AVERTISSEMENT**

Le grill et ses pièces sont chauds. Utiliser avec précaution, mais également en le nettoyant et en le révisant.



VUE DE CÔTÉ

## RÉSOLUTION DES PROBLÈMES

CAUSES POSSIBLES	PROBLÈME
<ol style="list-style-type: none"> <li>1. La température de la surface de cuisson est supérieure au point de consigne.</li> <li>2. La veilleuse ne s'allume pas.</li> <li>3. Problèmes au niveau des vannes à solénoïde des brûleurs. (Appeler l'assistance technique)</li> <li>4. Problème au niveau du thermocouple. (Appeler l'assistance technique)</li> <li>5. Basse pression du gaz. (Appeler l'assistance technique)</li> </ol>	<p>La chaleur n'arrive pas lorsque le bouton du thermostat est réglé</p>
<ol style="list-style-type: none"> <li>1. Le robinet de coupure du gaz ne se trouve pas sur ON.</li> <li>2. Le bouton d'alimentation est en position ON.</li> <li>3. Mettre le bouton sur OFF, le remettre sur ON pour rallumer la veilleuse.</li> <li>4. Problème au niveau du module d'allumage de sécurité. (Appeler l'assistance technique)</li> <li>5. Orifice de veilleuse obstrué. (Appeler l'assistance technique)</li> <li>6. Basse pression du gaz. (Appeler l'assistance technique)</li> </ol>	<p>Les brûleurs de veilleuse ne s'allument pas</p>
<ol style="list-style-type: none"> <li>1. Orifice obstrué. (Appeler l'assistance technique)</li> <li>2. L'arrivée de gaz contient toujours de l'air. La veilleuse soufflant de l'air est en panne. (Appeler l'assistance technique)</li> <li>3. Problème au niveau du robinet de sécurité de la veilleuse. (Appeler l'assistance technique)</li> <li>4. Le capteur n'est pas enflammé. (Appeler l'assistance technique)</li> <li>5. Basse pression du gaz. (Appeler l'assistance technique)</li> </ol>	<p>Le brûleur de la veilleuse ne s'allume pas</p>
<ol style="list-style-type: none"> <li>1. Température réglée trop élevée.</li> <li>2. L'humidité des aliments peut se transformer en vapeur.</li> </ol>	<p>La graisse semble fumer en excès</p>
<ol style="list-style-type: none"> <li>1. Température réglée trop élevée.</li> <li>2. La surface du grill doit être nettoyée et / ou traitée.</li> <li>3. Insuffisance d'huile sous les aliments et sur la surface.</li> </ol>	<p>Les aliments collent au grill ou brûlent sur les bords, ou noircissent</p>
<ol style="list-style-type: none"> <li>1. Température réglée trop faiblement.</li> <li>2. Les aliments n'ont pas été cuits assez longtemps.</li> </ol>	<p>Aliments pas assez cuits côté plaque de cuisson</p>
<ol style="list-style-type: none"> <li>1. Les aliments eux-mêmes peuvent être rances.</li> <li>2. Aliments mal entreposés avant la cuisson.</li> <li>3. Trop de graisse utilisée sur le grill.</li> <li>4. Température réglée trop faiblement.</li> </ol>	<p>Les aliments ont un goût de graisse ou rance</p>
<ol style="list-style-type: none"> <li>1. Température réglée trop élevée.</li> <li>2. La surface du grill doit être nettoyée et / ou traitée.</li> <li>3. Trop de graisse utilisée sur le grill.</li> </ol>	<p>Accumulation de substance collante sur le grill</p>

Lorsque vous appelez pour être aidé, veuillez disposer des informations suivantes se trouvant sur la plaque signalétique de l'appareil : Numéro de modèle, de série et type de gaz. La plaque signalétique se trouve à droite de l'appareil.

Contactez l'agence technique de votre région pour obtenir les informations sur les pièces et les révisions. Pour obtenir une liste détaillée de tous les dépôts de pièces et de révision, veuillez vous reporter au lien [www.vulcanequipment.com](http://www.vulcanequipment.com).

## PIÈCES ET RÉVISIONS

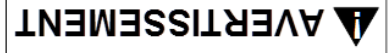
Quotidiennement, lorsque le grill est froid, vérifier l'aération (derrière l'appareil) et déboucher le cas échéant.

## AÉRATION

Le grill devrait être vérifié annuellement par un technicien qualifié en gaz, notamment l'étalonnage, la pression du gaz et vérifier qu'il n'y ait pas de fuites de gaz ou de graisse.

## GÉNÉRALITÉS

Le grill et ses pièces sont chauds. Utiliser avec précaution, mais également en le nettoyant et en le révisant.



## MAINTENANCE

1. Mettre un niveau à bulle sur le grill.

2. Régler les pieds en tournant le pied en bas de chaque jambe. Utiliser des pinces ou une clé à molette, tourner le pied dans le sens antihoraire pour augmenter la hauteur, dans le sens horaire pour diminuer la hauteur jusqu'à ce que la table soit de niveau. Ne pas allonger les pieds de plus de 1-3/4".

Le grill doit être de niveau (latéralement et d'avant en arrière) lorsque vous l'utilisez, afin de garantir qu'il fonctionne bien. Un grill n'étant pas de niveau peut entraîner une répartition inégale de la température, des endroits plus froids, et éventuellement endommager les composants électriques.

## MISE A NIVEAU

5. Une fois l'étalonnage terminé, visser les vis du cadran de températures et de réglage du bouton.



**Étape 5** – Remettre le bouton et visser les vis



# RÉGLAGES

## ÉTALONNAGE

1. Chaque bouton thermostatique contrôle une zone de 12" du grill. A l'aide d'un appareil de mesure de la température, à sonde, observer les températures aux endroits centraux des zones de cuisson. Ces points se trouvent à 6" du dossieret (à droite ou à gauche), et tous les 12" transversalement ; tous les points se trouvant à 12" en arrière du bord avant de la table de cuisson.

NOTE : L'utilisation de thermomètres est déconseillée. ces appareils sont très sensibles à la couleur de la surface (propre ou sale), à l'angle de lecture et à la distance de l'appareil.

2. Mettre les thermostats sur 350°F et laisser la température se stabiliser, en laissant le brûleur s'éteindre et se rallumer au moins deux fois.
3. Attendre que le voyant du thermostat s'éteigne, puis mesurer la température de cette zone. Elle devrait arriver à 350°F ± 10°F. Dans le cas contraire, poursuivre à l'étape 4.

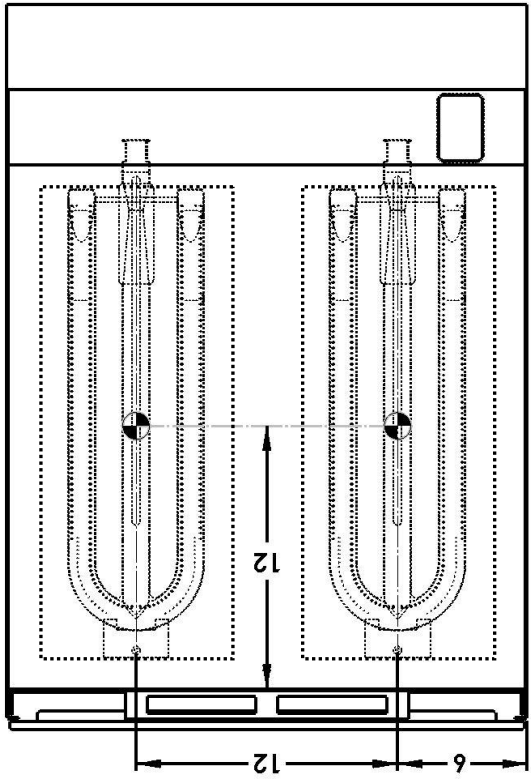
4. Dévisser délicatement la vis de réglage du bouton. NE PAS laisser le bouton tourner. Retirer délicatement le bouton de l'axe du thermostat, en mettant à jour le cadran de températures.

- b. Dévisser les vis se trouvant sur le cadran de température, et régler afin que la température, indiquée par la flèche sur le bouton, corresponde à la température de la table de cuisson du grill. Il faut remettre le bouton sur l'axe pour vérifier le réglage.



**Étape 4b.** - Ajuster le cadran de température & vérifier le réglage de la température

**Étape 4a.** Régler le bouton et vérifier la température.  
Déposer le bouton



l'eau. Après nettoyage, retraiter la surface de cuisson en fonction des instructions de ce manuel. Si vous utilisez beaucoup le grill, pensez à le nettoyer plus d'une fois par semaine.

## **NETTOYAGE DE LA TABLE DE CUISSON D'UN GRILL CHROMÉ EN OPTION**

### **APRÈS CHAQUE UTILISATION**

Nettoyer la surface de cuisson du grill souvent, avec une brosse Palmetto et un grattoir, au cours de la période de travail. Ne jamais utiliser un ustensile à récuser abrasif ou une brique à gratter sur une surface en chrome. La surface en chrome peut être endommagée par inadvertance en utilisant une spatule ou un grattoir.

### **UNE FOIS PAR JOUR**

Nettoyer les surfaces chromées à l'aide d'un chiffon humide, et polir à l'aide d'un chiffon sec et doux.

### **UNE FOIS PAR SEMAINE**

Si la plaque chromée est carbonisée ou noircie, utiliser un nettoyeur non abrasif et sans silicate, notamment le produit Bon Ami®. S'assurer que l'agent nettoyeur soit complètement retiré en rinçant à l'eau claire. Nettoyer à l'aide d'un chiffon humide, et polir à l'aide d'un chiffon sec et doux. Après le nettoyage, retraiter la surface de cuisson en fonction des instructions de ce manuel.

## **NETTOYAGE DE LA TABLE DE CUISSON D'UN GRILL OPTIONNEL DE TYPE RAPID RECOVERY™**

La table de cuisson Rapid Recovery™ est constituée d'un matériau composite, fabriqué pour apporter un transfert élevé de la chaleur vers les aliments. La surface est en inox et peut être éraflée, si l'on ne fait pas attention, avec une spatule ou un grattoir.

### **APRÈS CHAQUE UTILISATION**

Nettoyer souvent la surface de cuisson à l'aide d'un Nemco Easy Grill Scraper™, ou grattoir de type similaire pour grill, durant la période de travail.

### **UNE FOIS PAR JOUR**

Eteindre le grill et le laisser refroidir entre 275 et 300°F, mettre de l'eau à la température de la pièce et le nettoyer à l'aide d'un grattoir.

### **UNE FOIS PAR SEMAINE**

Nettoyer à fond la surface du grill à l'eau, avec un système de nettoyage rapide des grills Scotch-Brite™ ou d'un nettoyeur pour grill haute température Ecolab Grease Express™. S'assurer que l'agent nettoyeur soit complètement retiré en rinçant à l'eau claire. Après nettoyage, retraiter la surface de cuisson en fonction des instructions de ce manuel.

Si vous utilisez beaucoup le grill, pensez à le nettoyer plus d'une fois par semaine.

Ne pas utiliser une brique ou une pierre à grill pour nettoyer.

Ne pas mettre de désinfectant au chlore sur le grill. Il peut provoquer une décoloration, la corrosion et des dégâts permanents.

Ne pas utiliser d'agents nettoyeurs, notamment de la soude caustique, qui fait partie des nettoyeurs usuels pour fours domestiques.

Vider le tiroir à graisse durant la journée, et nettoyer régulièrement au moins une fois par jour.

Nettoyer souvent le grill. Un grill propre a toujours meilleure allure, dure plus longtemps et cuit mieux. Pour obtenir des aliments uniformément cuits, bien dorés sur le grill, conserver la table bien propre et exempte de graisse carbonisée. La graisse carbonisée sur la surface, nuit à la transmission de la chaleur de la surface du grill aux aliments, entraînant une coloration brunâtre par endroit uniquement, ainsi qu'une perte de puissance de cuisson. La graisse carbonisée tend à s'attacher aux aliments sur le grill, leur donnant un aspect peu appétissant et très déplaçant.

Pour maintenir le grill bien propre et l'utiliser au mieux de ses capacités, suivre ces procédures :

#### **APRES CHAQUE UTILISATION**

Nettoyer la table de cuisson en fonction du type de surface de votre modèle. Consulter les instructions spécifiques de cuisson par finition de surface. Vider le tiroir à graisse durant la journée lorsque cela est nécessaire.

#### **UNE FOIS PAR JOUR**

Nettoyer à fond toute élaboussure sur le dossier, à l'avant et sur les côtés du grill. Ne pas heurter le dossier avec une spatule ou tout autre outil. Cela peut créer un espace entre le dossier et la table qui sera difficile à nettoyer. Retirer, vider et laver le tiroir à graisse, comme on le fait avec un ustensile de cuisine ordinaire.

#### **UNE FOIS PAR SEMAINE**

Nettoyer à fond la surface du grill en fonction des instructions sur la finition de surface, de votre modèle particulier. Après avoir nettoyé la table, le grill devrait être traité en fonction des instructions de ce manuel.

Nettoyer les surfaces en inox à l'aide d'un chiffon humide, et polir à l'aide d'un chiffon sec et doux. Pour retirer toute décoloration, utiliser un nettoyeur à grill.

Si vous utilisez beaucoup le grill, pensez à le nettoyer plus d'une fois par semaine.

#### **NETTOYAGE DE LA TABLE DE CUISSON D'UN GRILL EN ACIER STANDARD**

#### **APRES CHAQUE UTILISATION**

Nettoyer la surface de cuisson souvent, à l'aide d'un grattoir, durant la période de travail.

#### **UNE FOIS PAR JOUR**

Éteindre le grill et le laisser refroidir entre 275 et 300°F, mettre de l'eau à la température de la pièce, et le nettoyer à l'aide d'un grattoir.

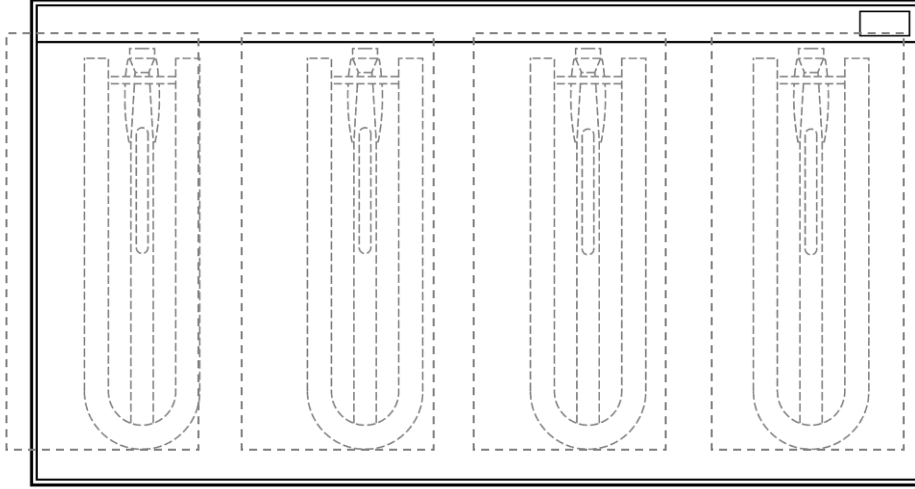
#### **UNE FOIS PAR SEMAINE**

Nettoyer à fond la surface du grill. Utiliser une brique à gratter, papier de verre ou du Scotch Bright™ sur la surface. Frotter avec le grain du métal pendant que le grill est encore tiède (pas chaud). Un détergent peut être utilisé sur la surface de la table de cuisson pour aider à la nettoyer, mais s'assurer qu'il soit retiré complètement en rinçant à

est une zone de cuisson indépendante, et permet de cuire une variété de produits sur une

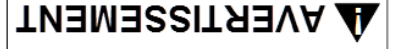
seule table.

Le tableau représente une utilisation suggérée de la zone de cuisson. En cuisant dans la zone de cuisson, il est conseillé de commencer à la température la plus basse, de l'un ou l'autre des côtés du grill, en augmentant la température de la zone, en vous déplaçant vers le haut dans la zone. En principe, la différence de températures entre le centre d'une zone au centre d'une autre, directement adjacente, ne peut varier de plus de 50°. Il n'est pas escompté qu'une partie de la chaleur passe d'une zone à une autre. Ces indications sur les zones de cuisson varieront en fonction de la température des produits, de leur taille et de leur forme. Ce guide devrait être adapté pour correspondre à vos préférences en matière de cuisson et de vos produits.



<b>ZONE 1</b> (300°F)	<b>ZONE 2</b> (350°F)	<b>ZONE 3</b> (350°F)	<b>ZONE 4</b> (400°F)
<b>PRODUIT</b> Saucisse Duf (cuits dur) Duf (brouillés) Hamburger (bien cuit) Bacon Steak (bien cuit) Blanc de poulet Aliments congelés Côtes de porc	<b>PRODUIT</b> Crêpes Toast à la française Bacon Omelette Pommes de terre rissolées Bacon canadien Dufs (sur le plat) Jambon blanc Steak (mi cuit) Hamburger frais (mi-cuit) Petit hamburger congelé (mi-cuit)	<b>PRODUIT</b> Steak (Rare) Légumes frits Saumon Poissons panés Homard Langoustines frites	

## NETTOYAGE



**Le grill et ses pièces sont chauds. Utiliser avec précaution, mais également en le nettoyant et en le révisant.**

**AVIS**

Ne pas utiliser de jet d'eau pour nettoyer le grill.

Ce grill est constitué de brûleurs à infrarouge en sections de 12" (brûleurs en U en option), chacun étant contrôlé par un régulateur thermostatique. Chaque section de 12"

## **ZONE DE CUISSON**

La table du grill est en acier, mais la surface est relativement tendre et peut être éraillée avec une spatule ou un grattoir, si l'on ne fait pas attention. Faire attention de ne pas abîmer, rayer ou de faire un trou sur la surface de la plaque. Ne pas essayer de faire partir les résidus d'aliments pouvant se trouver sur la spatule, en tapant le coin ou le bord de la spatule sur la surface du grill. Utiliser des spatules à bords arrondis. Ne pas utiliser d'ustensiles en acier trempé. Ne pas découper les aliments sur la surface de cuisson du grill.

Une approche systématique et uniforme du chargement du grill, permettra d'obtenir une cuisson régulière.

Pour préchauffer, allumer les brûleurs pendant environ 20 minutes avant la cuisson.

## **UTILISER LE GRILL**

1. Mettre le bouton d'alimentation sur la position OFF.
2. Couper le robinet d'arrivée de gaz en le mettant sur la position OFF.
3. Débrancher le cordon d'alimentation du grill.
4. Mettre de l'huile végétale sur la table du grill pour inhiber la rouille.

## **COUPURE PROLONGEE DU GRILL**

indiquant que le grill ne chauffe plus.

Mettre le bouton d'alimentation sur la position OFF ; tous les voyants devraient s'éteindre

## **EXTINCTION DU GRILL**

1. Régler tous les thermostats aux points de réglage de température désirés.
2. Les voyants de l'allumeur devraient commencer à clignoter d'une couleur verte pour indiquer que le cycle de la veilleuse a commencé. Une fois que les veilleuses sont allumées et détectées par les systèmes de sécurité de l'allumeur, le voyant de l'allumeur s'allumera d'une couleur permanente verte.
3. Si les voyants du cycle du thermostat ne sont pas allumés en continu de couleur rouge dans environ 90 secondes, pousser l'interrupteur d'alimentation à la position d'arrêt (OFF) et le remettre à la position de marche (ON); le cycle d'allumage de la flamme pilote recommencera alors. Ceci devra peut être recommencé plusieurs fois lors de l'installation initiale du grill ou si le grill a été débranché de l'arrivée de gaz.
4. Vérifier si tous les voyants de cycle du thermostat sont allumés en continu de couleur rouge afin de s'assurer que tous les brûleurs sont allumés et qu'ils fonctionnent correctement..

## **ALLUMAGE DU GRILL**

Les voyants de thermostat se trouvent sur la position 12 h, de chaque bouton de thermostat correspondant. Le voyant s'allumera lorsque la température de la table de cuisson chutera en dessous du réglage du bouton de thermostat. Le fait que ce voyant s'allume indique que le brûleur de cette zone est allumé.

## VOYANT DE MARCHÉ DU THERMOSTAT

Chaque section de 12" du grill, est contrôlée par une commande thermostatique à semi-conducteurs. Les thermostats disposent d'une plage de service de 150 à 550 degrés pour les surfaces chromées et en acier standard de plaque (de 150 à 450 degrés pour l'option composite de plaque Rapid Recovery™). Une fois les veilleuses allumées, les boutons de thermostat devront être réglés sur une température pour que les brûleurs s'allument. Chaque section de 12" du grill peut être coupée indépendamment, en mettant le thermostat correspondant sur la position OFF. Vous pouvez également laisser tous les thermostats sur des réglages spécifiques, et éteindre toutes les sections en même temps, après avoir appuyé sur le bouton d'alimentation pour les éteindre (OFF).

## BOUTON DU THERMOSTAT

Les voyants de l'allumeur se trouvent sur la position 8 h, de chaque bouton de thermostat correspondant. Il y a un voyant d'allumeur et de veilleuse d'allumage pour chaque brûleur (section de 12" du grill). Après avoir appuyé sur le bouton d'alimentation, les allumeurs commencent à allumer les veilleuses. Le voyant d'allumage clignotera en vert lors de la tentative d'allumage de la veilleuse. Une fois la veilleuse allumée et détectée par le système de sécurité de l'allumeur, le voyant s'allumera d'une couleur permanente verte. La veilleuse doit être allumée et le voyant de l'allumeur doit émettre une couleur verte permanente, avant que le brûleur du grill ne puisse s'allumer. Si la veilleuse ne s'allume pas au bout d'environ 90 secondes, le voyant de l'allumeur clignotera d'une couleur rouge, indiquant que la veilleuse ne s'est pas allumée. Appuyer sur le bouton d'alimentation, et l'éteindre de nouveau, permettra d'essayer de rallumer la veilleuse.

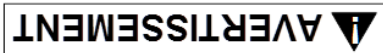
## VOYANT DE L'ALLUMEUR

Le voyant de cycle de l'allumeur est un trou transparent par lequel l'utilisateur peut voir la DEL de diagnostic sur le module d'allumage. Pour voir le voyant, l'utilisateur doit avoir une vue directe par le trou afin de vérifier si le voyant est vert ou rouge.

## BOUTON D'ALIMENTATION

Le VCCG s'éteint et s'allume à l'aide d'un seul bouton d'alimentation. Appuyer sur le bouton d'alimentation est tout ce qu'il y a à faire pour allumer l'appareil, une fois que les thermostats ont été réglés.

# UTILISATION



Le grill et ses pièces sont chauds. Utiliser avec précaution, mais également en le révisant.

## AVANT LA PREMIÈRE UTILISATION

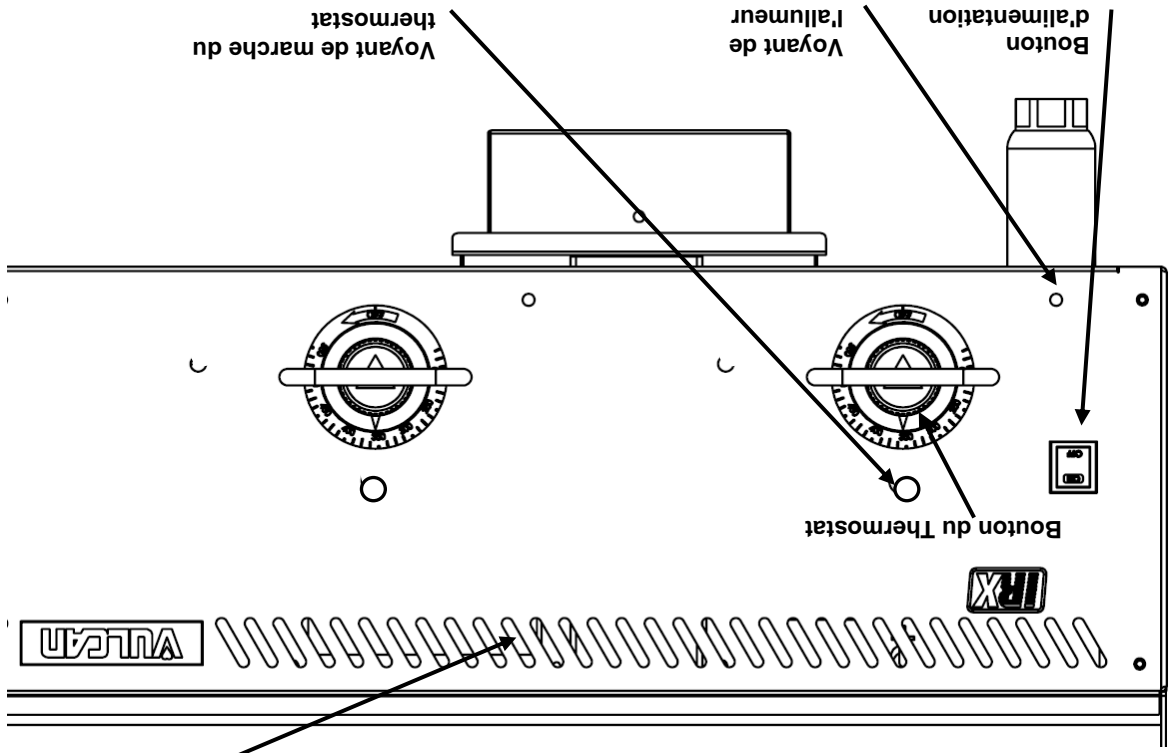
Déposer le matériau d'emballage et le plastique de protection de l'appareil. Avant de quitter l'usine, le grill est recouvert d'une huile végétale à titre d'inhibiteur de rouille. Déposer cette pellicule lorsque la plaque du grill est nettoyée, avant sa première utilisation. Faire monter le grill à 200-300°F pour décrocher et faire fondre la pellicule, puis, nettoyer la surface en ajoutant de l'eau ou un nettoyant commercial dissolvant la graisse, non corrosif, en suivant les instructions du fabricant. Râcler pour faire partir les résidus d'huile de la plaque, à l'aide d'un grattoir. Rincer à fond et essuyer à l'aide d'un tissu propre et doux. Nettoyer tous les accessoires.

## TRAITER LE GRILL

Traiter le grill afin d'éviter toute corrosion possible avant toute première utilisation, et après nettoyage. Ainsi vous évitez aux aliments de coller. Faire chauffer le grill à basse température (300 à 350° F) et mettre un peu d'huile de cuisson ; environ 1/4 d'once par pied carré de surface. Utiliser un tissu doux sans peluche pour répandre l'huile sur toute la surface du grill, et y déposer une fine pellicule. Essuyer l'excès d'huile avec un chiffon. Recommencer jusqu'à ce que le grill soit d'une finition miroitante et élégante.

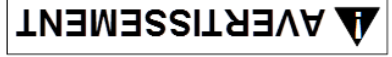
Fentes d'aperçu des brûleurs et de la veilleuse d'allumage

## BOUTONS

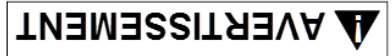


Ne pas brancher le grill sur l'alimentation électrique, avant que le gaz n'ait été raccordé.  
L'alimentation de l'allumage électrique est de 120 volts, 2 amp, 50/60 Hertz, monophasée.

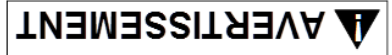
Les appareils équipés d'un cordon d'alimentation flexible, disposent d'une prise de raccordement à la terre à trois broches. Il est impératif que cette prise soit branchée sur un réceptacle à trois broches, bien raccordé à la terre. Si le réceptacle n'est pas d'un type se raccordant bien à la terre, contacter un électricien. Ne pas retirer la broche de raccordement à la terre, de cette prise.



Couper le courant du grill et suivre les procédures de protection anti-remise en marche.



Les branchements électriques et à la terre, doivent se conformer aux sections concernées du code national sur l'électricité et / ou à tout autre code local sur l'électricité.



## BRANCHEMENTS ELECTRIQUES

Il ne faut jamais raccorder le grill sur une pression d'arrivée de gaz supérieure à 1/2 psig (3,45 kPa) ou 14 W.C.

**AVIS**

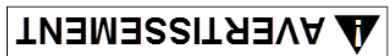
Le grill VCCG est a des régulateurs internes de gaz sur chaque robinet des brûleurs. Les robinets sont pré réglés à 4" W.C. sur les appareils à gaz naturel, ou sur 10" W.C. sur les appareils à propane. Un régulateur de gaz externe n'est pas nécessaire tant que la pression de gaz arrivant dans l'appareil, n'est pas supérieure à 1/2 psig (3,45 kPa) ou à 14" W.C. La pression de l'arrivée de gaz conseillée (en amont du grill) devrait être de 7 à 9 W.C. pour le gaz naturel et de 11 à 12 W.C. pour le propane.

## RÉGLEMENTATION EN MATIÈRE DE PRESSION DU GAZ

Lorsque la pression de l'arrivée de gaz est de 1/2 psig (3,45 kPa) ou moins, le grill devrait être isolé de l'arrivée de gaz, en fermant son robinet.  
Lorsque la pression de l'arrivée de gaz dépasse 1/2 psig (3,45 kPa), le grill et son robinet de coupure doivent être coupés des conduites d'arrivée de gaz.

## TEST DU CIRCUIT D'ARRIVÉE DE GAZ

Après avoir vérifié la présence éventuelle de fuites, il faut évacuer l'air de toutes les conduites faisant circuler le gaz.  
Avant d'allumer, vérifier que les joints de la conduite d'arrivée de gaz ne fuient pas. Utiliser une solution à base de savon et d'eau. Ne pas utiliser de flamme.





Utiliser une conduite d'arrivée de gaz NPT de 3/4" pour l'arrivée du grill, se trouvant à l'arrière de celui-ci. Toutes les conduites d'arrivée du gaz, semi-rigides et flexibles, doivent se conformer à la norme ANSI en vigueur. Afin de garantir l'efficacité maximale de cet appareil, il doit être raccordé à une conduite d'arrivée de gaz solide, ou à un raccord flexible de type commercial, d'un diamètre net intérieur (DI) aussi large, ou plus large, que l'arrivée de gaz sur cet appareil. Les codes obligent de disposer d'un robinet de coupure du gaz, installé en amont de la conduite de gaz du grill.

**Les raccords de l'arrivée de gaz et tout joint de conduite, doivent pouvoir résister au propane.**



## RACCORDEMENTS DU GAZ

Le grill dispose d'un pied en acier inoxydable en option, accompagné de roulettes.

## PIEDS

Des informations sur la fabrication et l'installation de hottes d'aération, peuvent être obtenues sur la Norme NFPA n° 96, Élimination de la vapeur du matériel de cuisson, dernière édition, disponible auprès de la National Fire Protection Association, Batterymarch Park, Quincy, MA 02269.

Depuis le bout de la conduite aux filtres du système d'aération de la hotte, un dégagement minimal de 18" doit être conservé.

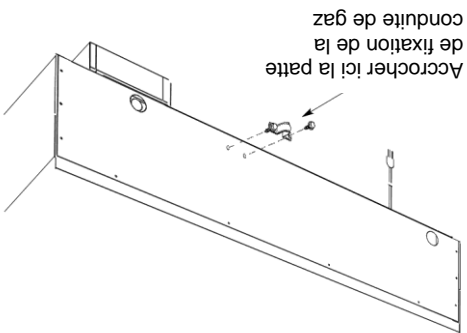
Ne pas boucher le débit des gaz de carneau de la conduite se trouvant à l'arrière du grill. Il est conseillé d'évacuer les gaz de carneau vers l'extérieur du bâtiment, via un système d'aération installé par du personnel qualifié.

## RACCORDEMENT DE LA CONDUITE

Les roulettes ne sont fournies que sur un pied du grill. Si vous déplacez le grill pour une quelconque raison, il faut le remettre de niveau (Cf. MISE A NIVEAU dans ce manuel).

S'il faut retirer la patte, couper l'arrivée de gaz avant de la retirer. Retirer la patte avant de rallumer le gaz et remettre le grill sur sa position d'installation initiale.

Les grills installés sur des pieds à roulettes, doivent utiliser un raccord flexible (non fourni), se conformant à la norme sur les raccords pour les appareils mobiles au gaz ANSI Z21.69-CSA6.16, ainsi qu'un système de branchement rapide se conformant à Ga, ANSI Z21.3-CSA6.9. En outre, des moyens suffisants doivent être mis en œuvre pour limiter le déplacement de l'appareil, sans dépendre du raccord et du système de raccordement rapide (ou de ses conduites associées), afin de limiter le déplacement de l'appareil. Attacher le dispositif de fixation à l'arrière du grill comme indiqué.



## GRILLS INSTALLÉS SUR DES PIEDS AVEC DES ROULETTES

## EMPLACEMENT

L'emplacement d'installation doit être exempt de combustibles. Une fois installé, ne jamais enlever le fond du grill dans quelque chose d'incurvé et haut, ou autres, susceptibles d'obstruer le débit d'air en sortie et en entrée de grill. Il faut prévoir des dégagements au niveau des aérations de la chambre de combustion. S'assurer que suffisamment d'air circule dans la pièce, afin qu'il remplace l'air utilisé par le système d'aération.

Ne pas laisser l'air souffler directement sur le grill. Éviter d'ouvrir des fenêtres près du grill lorsque cela est possible. Éviter les ventilateurs de type muraux, qui créent des courants d'air au sein de la pièce.

Ce grill est certifié pouvant être installé sur un comptoir inflammable à l'aide de pieds de 4", ou sur un plancher inflammable à l'aide d'un pied.

## DEGAGEMENTS LORS DE L'INSTALLATION

FABRICATION INFLAMMABLE FABRICATION ININFLAMMABLE

Arrière :	6"	6"	0"
Côté	6"	6"	0"
Côté	6"	6"	0"

## NORMES ET CODES D'INSTALLATION

Le grill doit être installé conformément à /aux :

Aux USA :

1. Codes locaux et étatiques.

2. Code sur les gaz naturels, ANSI-Z223.1 / NFPA n° 54 (dernière édition). Devant comprendre sans limitation : NFPA n° 54 Section 10.3.5.2 concernant l'aération. Des duplicatas peuvent être demandés au Comité de normes homologuées de l'Association américaine des gaz / American Gas Association Accredited Standards Committee Z223, @ 400 N. Capital St. NW, Washington, DC 20001 ou au Secretary Standards Council, NFPA, 1 Batterymarch Park Quincy, MA 02169-7471

NOTE : Dans le Commonwealth du Massachusetts

Tous les appareils à gaz ventilés via une hotte ou via un système d'aération équipé d'un registre, ou de systèmes d'échappement électriques, doivent se conformer à 248 CMR.

3. Norme NFPA n° 96 *Elimination de la vapeur du matériel de cuisson*, dernière édition, disponible auprès de la National Fire Protection Association, Batterymarch Park, Quincy, MA 02269.

Au Canada :

1. Codes locaux.

2. CAN/CSA-B149.1 Installation au gaz naturel (dernière édition)

3. CAN/CSA-B149.2 Code d'installation du propane (dernière édition), disponible auprès de la Canadian Gas Association, 178 Rexdale Blvd., Etobicoke, Ontario, Canada M9W 1R3

# INSTALLATION, UTILISATION ET ENTRETIEN DES GRILLS DE TABLE HAUTE RÉSISTANCE

## GÉNÉRALITÉS

Les grills à gaz haute résistance VCCG sont fabriqués avec des matériaux de qualité. Une bonne installation, maintenance et utilisation de votre grill vous permettront d'utiliser votre grill pendant des années en toute satisfaction.

Lire attentivement l'intégralité de ce manuel, et suivre scrupuleusement toutes les instructions données.

Modèle	Nombre de brûleurs	Rendement en BTU / hr		Rendement en U Optionnel Brûleur en U BTU / hr
		Brûleur infrarouge standard	Propane	
VCCG24	2	48 000	44 000	60 000
VCCG36	3	72 000	66 000	90 000
VCCG48	4	96 000	88 000	120 000
VCCG60	5	120 000	110 000	150 000
VCCG72	6	144 000	132 000	180 000

## INSTALLATION

Avant toute installation, vérifier que le type d'alimentation en gaz (naturel ou propane) corresponde aux spécifications sur la plaque signalétique se trouvant à droite, à l'extérieur de l'appareil. Si les spécifications du matériel et de l'admission ne correspondent pas, ne pas installer. Contacter immédiatement votre revendeur. Il est conseillé de faire appel à un technicien en gaz qualifié, disposant des outils, instruments et compétences nécessaires, pour qu'il installe le grill.

## DÉBALLAGE

Ce grill a été inspecté avant de quitter l'usine. En acceptant sa livraison, le transporteur prend l'entière responsabilité de le livrer en toute sécurité. Immédiatement après la livraison, vérifiez s'il a effectivement subi des dommages pendant le transport.

S'il s'avère que le grill a été endommagé, veuillez suivre les procédures suivantes :

1. Le transporteur doit être averti dans les 5 jours ouvrables suivant la réception.
2. Les gens du terminus local du transporteur doivent être avisés immédiatement lors de la découverte des dommages (indiquez l'heure, la date et à qui vous avez parlé) et assurez le suivi en confirmant les faits par écrit ou par communication électronique.
3. Pour fins d'inspection, tout le matériel d'emballage original doit être conservé.
4. Le grill ne doit pas avoir été déplacé, installé ou modifié.
5. Avisez le Service à la clientèle de Vulcan immédiatement en faisant le (800) 814-2028.

Sortir délicatement votre grill, et s'assurer qu'aucune pièce ne soit jetée avec l'emballage.

# TABLES DES MATIÈRES

4	.....	GÉNÉRALITÉS
4	.....	Spécifications
4	.....	INSTALLATION
4	.....	Déballage
4	.....	Emplacement
5	.....	Normes et codes d'installation
6	.....	Grills installés sur des pieds avec des roulettes
6	.....	Raccordement de la conduite
6	.....	Pieds
6	.....	Raccordements du gaz
7	.....	Test du circuit d'arrivée de gaz
7	.....	Règlementation en matière de pression du gaz
7	.....	Branchements électriques
8	.....	UTILISATION
8	.....	Avant la première utilisation
8	.....	Traiter le grill
8	.....	Boutons
9	.....	Allumage du grill
10	.....	Extinction du grill
10	.....	Coupure prolongée du grill
10	.....	Utiliser le grill
10	.....	Zone de cuisson
11	.....	NETTOYAGE
11	.....	Nettoyage de la table de cuisson d'un grill en acier standard
12	.....	Nettoyage de la table de cuisson d'un grill chromé en option
13	.....	Nettoyage de la table de cuisson d'un grill optionnel de type Rapid Recovery™
14	.....	RÉGLAGES
14	.....	Étalonnage
14	.....	Mise à niveau
15	.....	MAINTENANCE
15	.....	Généralités
15	.....	Aération
15	.....	Pièces et réparation
16	.....	RÉSOLUTION DES PROBLÈMES
17	.....	INSTALLATION D'ACCESSOIRES

EN CAS DE COUPURE DE COURANT, NE PAS  
TENTER D'UTILISER CET APPAREIL.

**⚠ AVERTISSEMENT**  
Une mauvaise  
installation, un mauvais réglage, une altération,  
un mauvais entretien ou une mauvaise révision,  
peuvent être la cause de dégâts, de blessures et  
même de décès. Lire les instructions d'entretien,  
d'utilisation et d'installation dans leur intégralité,  
avant d'installer ou de réviser ce matériel.

**POUR VOTRE SÛRETÉ**  
NE PAS STOCKER OU UTILISER D'ESSENCE OU  
AUTRES LIQUIDES OU VAPEURS INFLAMMABLES A  
PROXIMITÉ DE CET APPAREIL OU DE TOUT AUTRE  
APPAREIL.

**IMPORTANT**  
SI UNE ODEUR DE GAZ EST DÉTECTÉE, COUPER LES  
APPAREILS AU NIVEAU DU ROBINET PRINCIPAL, ET  
CONTACTER LA SOCIÉTÉ DE GAZ LOCALE OU LE  
FOURNISSEUR DE GAZ POUR QU'ILS VOUS AIDENT.

CE MANUEL A ÉTÉ PRÉPARÉ POUR LE PERSONNEL COMPÉTENT EN INSTALLATIONS  
DE MATÉRIEL FONCTIONNANT AU GAZ, DEVANT S'OCcuper DE LA PREMIÈRE MISE  
EN SERVICE ET DES RÉGLAGES DU MATÉRIEL ABORDÉ DANS CE MANUEL.  
AFFICHER DANS UN LIEU PRÉDOMINANT LES INSTRUCTIONS AUXQUELLES SE  
CONFORMER, SI UNE ODEUR DE GAZ VENAIT À ÊTRE DÉTECTÉE. LE FOURNISSEUR  
DE GAZ LOCAL, POURRA VOUS COMMUNIQUER CES INFORMATIONS.

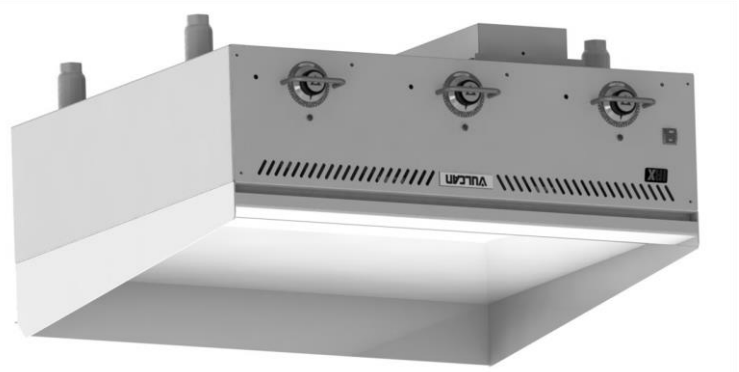
**IMPORTANT POUR VOTRE SÛRETÉ**

# MANUEL D'UTILISATION ET D'INSTALLATION GRILLS DE TABLE HAUTE RÉSISTANCE



## MODELES

VCCG24  
VCCG36  
VCCG48  
VCCG60  
VCCG72



VCCG36

Pour obtenir des renseignements supplémentaires au sujet de Vulcan-Hart ou pour trouver un fournisseur de pièces et service autorisé dans votre région, veuillez visiter notre site web à [www.vulcanequipment.com](http://www.vulcanequipment.com)

CONSERVER CE MANUEL À TITRE DE  
RÉFÉRENCE ULTÉRIEURE

FORMULAIRE F-45402 (rév. 10-15)

©ITW Food Equipment Group, LLC  
3600 North Point Blvd.  
Baltimore, MD 21222