



Project _____
 AIA # _____ SIS # _____
 Item # _____ Quantity _____ C.S.I. Section 114000

K20ETT

Electric Tilting Kettle



Model K20ETT

SELL SHEET



SPECIFIER STATEMENT

20 gallon capacity, 2/3 jacketed self-contained electric tilting kettle. Ellipsoidal bottom kettle liner formed and fully welded type 316 and type 304 stainless steel exterior with 1/4 x 5/8 inch bar rim with butterfly shaped pouring lip and embossed gallon/liter markings, designed to operate at a maximum of 50 psi (3.4 kg/cm²). Jacket contains water, rust inhibitor and antifreeze mixed to protect to 30° below zero. Removable electric elements are field serviceable. Stainless steel tilt handle with insulated pull knob located on the right. Stainless steel “water proof” control housing located on the right. Controls include a power switch, power “on” light, solid state temperature control, vacuum/pressure gauge, pressure relief valve, low water light and low water shut-off. Stainless steel adjustable legs extend 6" below base. Shipped for 208/60-50/3 electrical service. Can be field converted to 208/60-50/1 and 240/60-50/3 and 240/60-50/1.

Exterior Dimensions:

35 3/4" w x 25 3/4" d x 53 1/2" h.

UL listed. UL Classified for sanitation in accordance with ANSI/NSF Standard #4. Meets ASME code.

MODELS

- K20ETT** Electric tilting kettle

STANDARD FEATURES

- 20 gallon capacity, 2/3 jacketed self-contained electric tilting steam kettle
- Ellipsoidal bottom kettle liner formed and fully welded type 316 and type 304 stainless steel exterior with 1/4 x 5/8 inch bar rim with butterfly shaped pouring lip and embossed gallon/liter markings, designed to operate at a maximum of 50 psi (3.4 kg/cm²)
- Jacket contains water, rust inhibitor and antifreeze mixed to protect to 30° below zero
- Removable electric elements are field serviceable
- Stainless steel tilt handle with insulated pull knob located on the right
- Stainless steel “water resistant” control housing located on the right; controls include a power switch, power “on” light, solid state temperature control, vacuum/pressure gauge, pressure relief valve, low water light and low water shut-off
- Faucet bracket
- Stainless steel adjustable legs extend 6" below base
- Shipped for 208/60-50/3 electrical service; can be field converted to 208/60-50/1 and 240/60-50/3 and 240/60-50/1
- One year limited parts and labor warranty

OPTIONS

- Security facility package
 - a. Security type tamper resistant fasteners with tack welds
- 480 volt, 60 Hz, 3 phase power supply
- Second year extended limited parts and labor warranty

ACCESSORIES (PACKAGED AND SOLD SEPARATELY)

- One piece lift-off stainless steel cover
- Stainless steel basket assembly
- Tilting kettle strainer
- (12") (18" double jointed) single pantry faucet
- (12") (18" double jointed) double pantry faucet
- Double pantry washdown hose with 16" add-on faucet with backflow preventer
- Double pantry washdown hose with backflow preventer
- Double pantry pot filler and backflow preventer

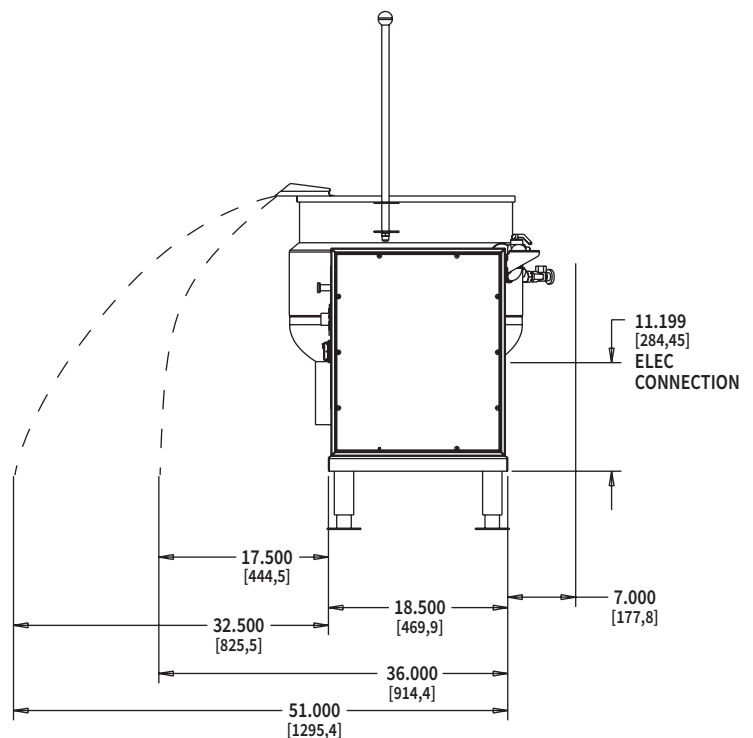
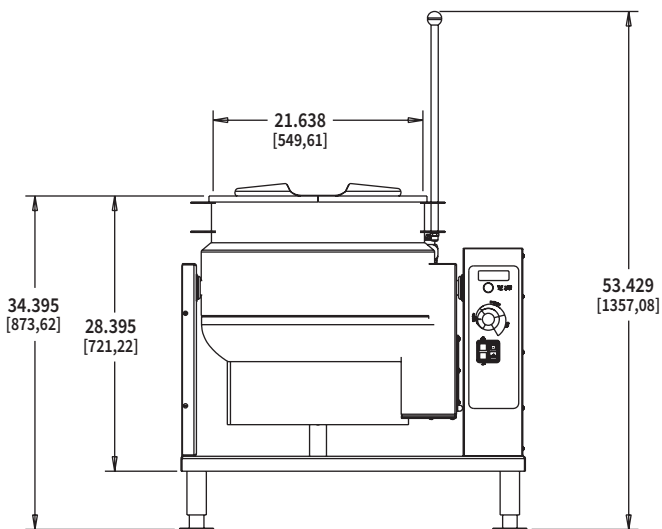
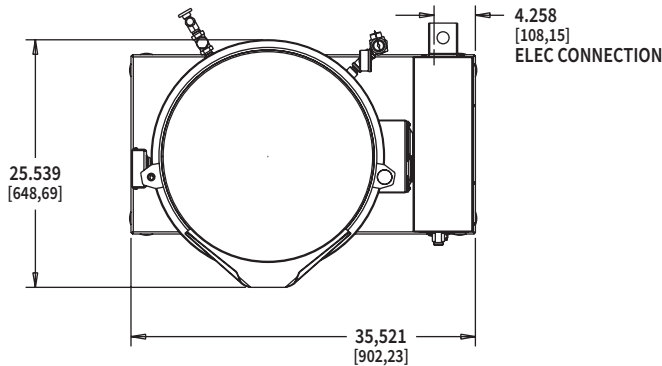
K20ETT – Electric Tilting Kettle

Approved by _____ Date _____ Approved by _____ Date _____

NOTES

- Dimensions which locate the connections have a tolerance of + or -3" (+ or -75mm).
- Installation of backflow preventers, vacuum breakers and other specific code requirements is the responsibility of the owner and installer. It is the responsibility of the owner and installer to comply with local codes.
- Plastic drains are not recommended due to limited temperatures of the plastic.
- This appliance is manufactured for commercial installation only and is not intended for home use.

INSTALLATION MANUAL



CAD and/or Revit Files Available

Electrical Characteristics													
Model	Phase	208V		220V		240V		380V		415V		480V	
		KW	Amp	KW	Amp	KW	Amp	KW	Amp	KW	Amp	KW	Amp
K20ETT	1	12	57.6	13.5	61.2	16	66.7	—	—	—	—	—	—
	3	12	33.4	13.5	35.4	16	38.6	12	18.3	12	16.7	12	14.5

As continued product improvement is a policy of Vulcan, specifications are subject to change without notice.