



Project _____
 AIA # _____ SIS # _____
 Item # _____ Quantity _____ C.S.I. Section 114000

SL & ST SERIES

Direct Steam Fully Jacketed Kettles



Model SL80



SPECIFIER STATEMENT

Direct steam fully jacketed stationary kettle. Kettle is mounted on 2" diameter legs with adjustable flanged feet. The kettle liner is constructed out of 316 Series stainless steel. Spring assist hinged stainless steel cover with condensate ring and drop down lift handle with heavy duty pivot assembly that includes a yolk style mount with tie bar. The dish shaped interior bottom is sloped to the front for a smooth product flow through a mounted, tapered, 2" plug type food product draw-off valve. Draw-off includes opening strainer. Graduated measuring rod. 15 PSI relief valve, vacuum relief valve, main and simmer steam supply valves. Steam pressure gauge and thermostatic steam trap all mounted and interconnected ready for final connections.

UL listed. Classified by UL to NSF Standard #4. Meets ASME code.

MODELS

- SL80** 80 gallons 303 liters
- ST100** 100 gallons 379 liters
- ST125** 125 gallons 473 liters
- ST150** 150 gallons 568 liters

STANDARD FEATURES

- Kettle fully steam jacketed
- Mounted on stainless steel 2" diameter legs with adjustable flange feet
- 316 Series stainless steel jacket liner
- Spring assist hinged stainless steel cover with condensate ring and drop down lift handle with heavy duty pivot assembly that includes a yolk style mount with tie bar
- Kettle interior bottom sloped to front for smooth product flow through a mounted, tapered, plug type food product draw-off valve of standard 2" diameter
- Draw-off opening strainer
- Graduated measuring rod
- Faucet bracket
- 15 PSI relief valve
- Vacuum pressure relief valve
- Main and simmer steam supply valve
- Steam pressure gauge and thermostatic steam trap all mounted and interconnected ready for final connection
- One year limited parts and labor warranty

OPTIONS

- Three inch compression tangent draw-off valve with perforated strainer
- Security facility package
 - a. Security type fasteners with tack welds
 - b. Stainless steel step over draw-off valve with chain
- Second year extended limited parts and labor warranty

ACCESSORIES (PACKAGED AND SOLD SEPARATELY)

- Ball float trap
- P.R.V. – Pressure reducing valve
- Clean-up kit, includes draw-off brush, clean-up brush and paddle scraper with 40" handle
- Stainless steel 48" whip
- Heat deflector shield
- (12") (18" double jointed) single pantry lead-free faucet
- (12") (18" double jointed) double pantry lead-free faucet
- Double pantry washdown hose with 16" add-on lead-free faucet with vacuum breaker
- Double pantry washdown hose lead-free with vacuum breaker
- Double pantry pot filler lead-free with vacuum breaker

SL & ST SERIES – Direct Steam Fully Jacketed Kettles

Approved by _____ Date _____ Approved by _____ Date _____

SERVICE CONNECTIONS

- SS** Steam Supply: ¾" NPT
- CR** Condensate Return: ½" NPT, 6.5" AFF
- C1** Water: Faucet location.

DIRECT STEAM DATA

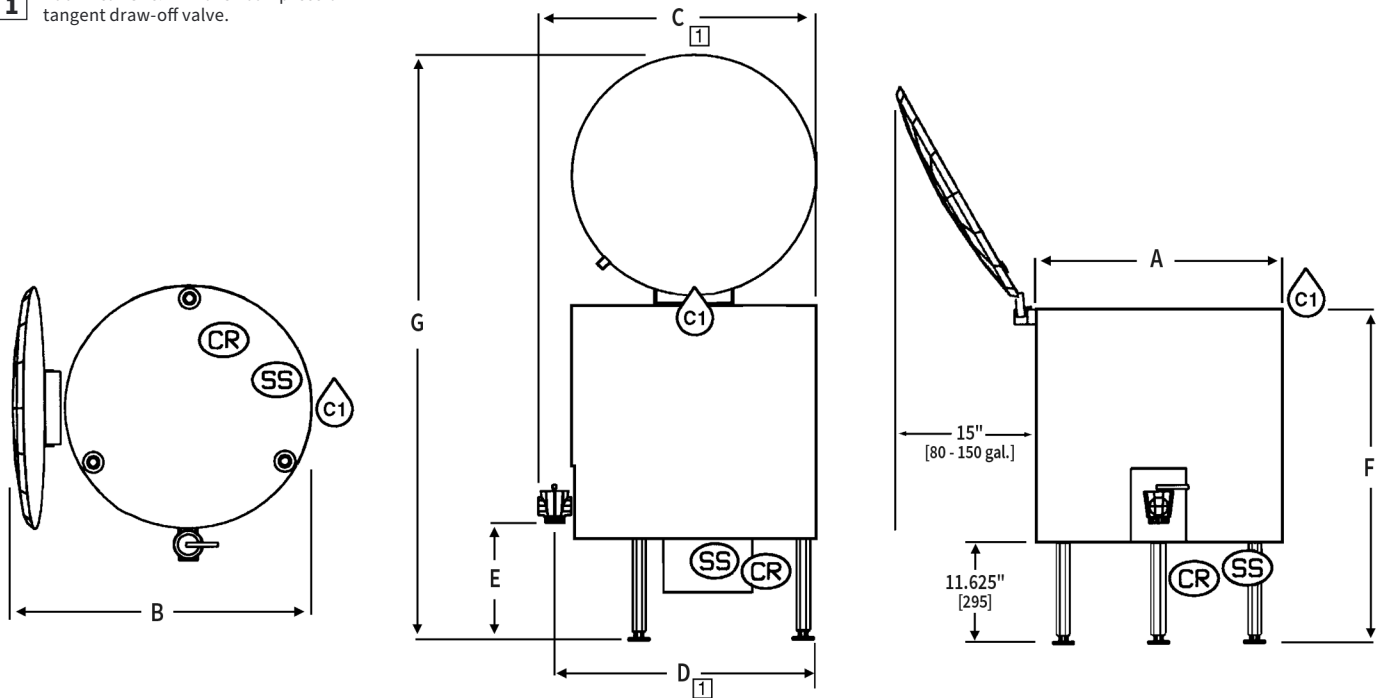
1. Maintain a steady 13 psi flow under operating conditions.
2. Have a minimum flow (see chart) of dry steam.
3. Be adequately trapped to provide dry steam. (See ball float trap.)

Steam Flow Rate at 15 PSIG at the Kettle						
	Fast Boil		Medium Boil		Slow Boil	
	lbs/hr	kg/hr	lbs/hr	kg/hr	lbs/hr	kg/hr
80 gallon	179	87	127	58	96	44
100 gallon	191	81	143	65	110	50
125 gallon	224	102	179	81	138	63
150 gallon	269	122	215	98	165	75

Brimful Capacities				
Model	Gallons	Quarts	Liters	4 oz. Servings
SL80	80	320	303	2560
ST100	100	400	379	3200
ST125	125	500	473	4000
ST150	150	600	568	4800

INSTALLATION MANUAL

- 1** Add 2" to "C" & "D" for 3" compression tangent draw-off valve.



CAD and/or Revit Files Available

Model	Capacity	A	B	C	D	E	F	G
SL80	80 gallons 303 liters	36½ (927)	58½ (1486)	41½ (1054)	39½ (1003)	13 (330)	40 (1016)	79 (2007)
ST100	100 gallons 379 liters	36½ (927)	58½ (1486)	41½ (1054)	39½ (1003)	13 (330)	45 (1143)	84 (2134)
ST125	125 gallons 473 liters	36½ (927)	58½ (1486)	41½ (1054)	39½ (1003)	13 (330)	52 (1321)	91 (2311)
ST150	150 gallons 568 liters	36½ (927)	58½ (1486)	41½ (1054)	39½ (1003)	13 (330)	58½ (1486)	97 (2464)

As continued product improvement is a policy of Vulcan, specifications are subject to change without notice.