

# **VULCAN**

## *CATALOG OF REPLACEMENT PARTS*

### *ES, EL & ET STEAM JACKETED KETTLES*

#### *MODELS*

<i>ML-52642</i>	<i>ES25</i>
<i>ML-52643</i>	<i>ES30</i>
<i>ML-52644</i>	<i>EL40</i>
<i>ML-52645</i>	<i>ES60</i>
<i>ML-52646</i>	<i>EL80</i>
<i>ML-52647</i>	<i>ET100</i>
<i>ML-52648</i>	<i>ET125</i>
<i>ML-52649</i>	<i>ET150</i>

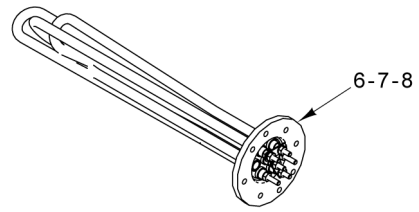
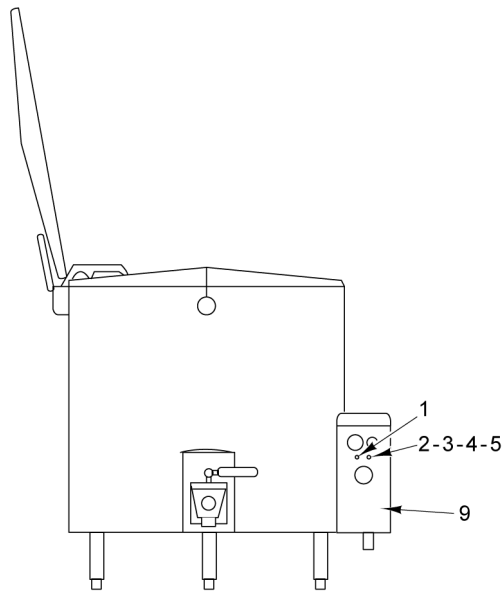


**For additional information on Vulcan or to locate an authorized parts  
and service provider in your area, visit our website at [www.vulcanequipment.com](http://www.vulcanequipment.com)**



**Table of Contents**

5	REPLACEMENT PARTS
7	CONTROL BOX
9	LOW WATER CUTOFF
11	FILL ASSEMBLY
13	PRESSURE RELIEF VALVE
15	SPRING ASSIST COVER
17	DRAW-OFF VALVE ASSEMBLY (3 INCH)
19	PLUG VALVE (2 INCH)



PL-52781

## REPLACEMENT PARTS

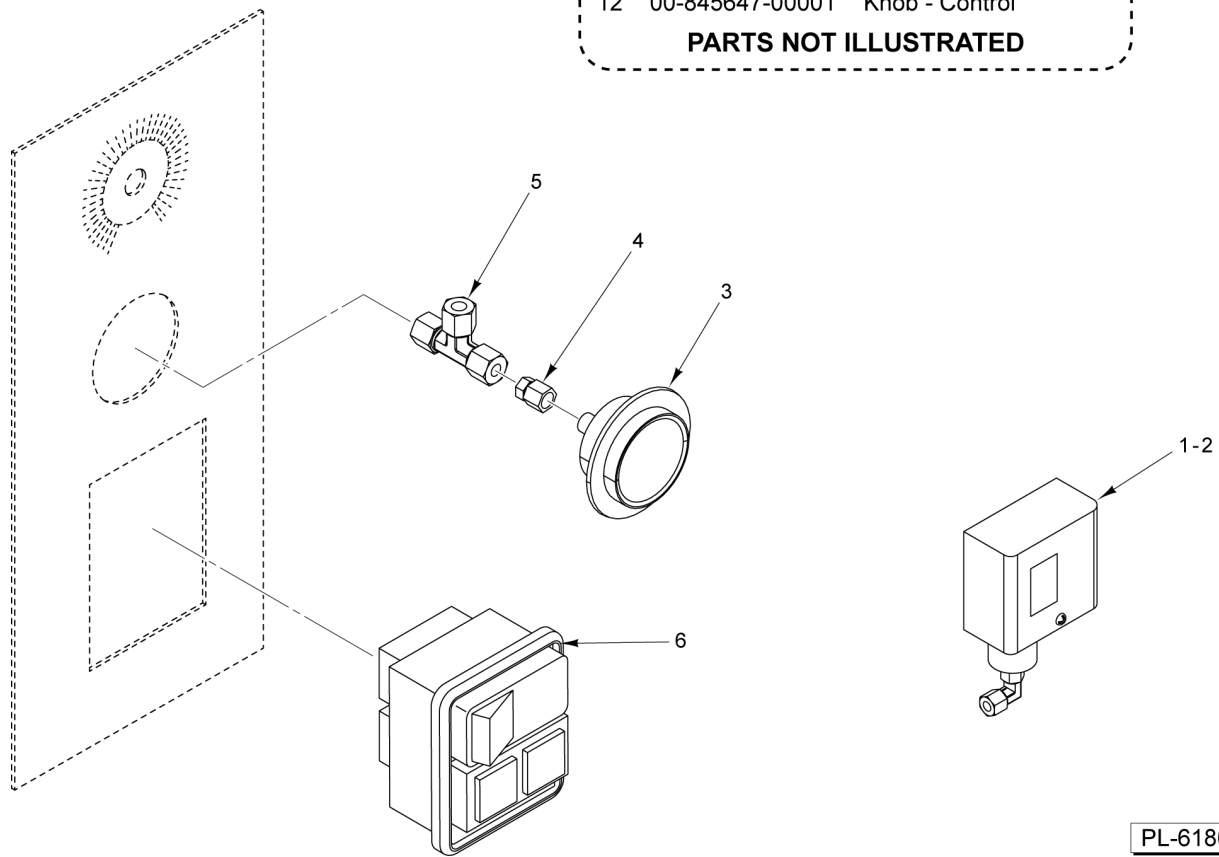
**REPLACEMENT PARTS**

ILLUS.	PART NO.	NAME OF PART	AMT.
PL-52781			
1	00-833393-00010	Light - Signal (Amber) (Heat On).....	AR
2	00-833393-00011	Light - Signal (Red) (Power On).....	AR
3	00-833483	Gasket - Signal Light.....	2
4	00-833176	Clamp Bar - Signal Light.....	1
5	SC-093-05	Mach. Screw 8-32 x 1/2 Slotted Pan Hd. (SST).....	1
6	00-880410	Gasket - Boiler Heater.....	2
7	SC-113-18	Mach. Screw 5/16-18 x 1-1/4 Hex Hd. (SST).....	8
*8	00-832611-00013	Element - Heating (9 kW, 208 V.) (Before S/N 463035423).....	2
*	00-832611-00014	Element - Heating (9 kW, 208 V.) (Before S/N 463035423).....	2
*	00-832611-00015	Element - Heating (9 kW, 208 V.) (Before S/N 463035423).....	2
	00-832611-00016	Element - Heating (12 kW, 208 V.) (Before S/N 463035423).....	2
*	00-832611-00017	Element - Heating (12 kW, 208 V.) (Before S/N 463035423).....	2
*	00-832611-00018	Element - Heating (12 kW, 208 V.) (Before S/N 463035423).....	2
	00-832611-00019	Element - Heating (18 kW, 208 V.) (Before S/N 463035423).....	2
	00-832611-00020	Element - Heating (18 kW, 208 V.) (Before S/N 463035423).....	2
	00-832611-00021	Element - Heating (18 kW, 480 V.) (Before S/N 463035423).....	2
*	00-832611-00022	Element - Heating (21.6 kW, 2z08 V.) (Before S/N 463035423).....	2
*	00-832611-00023	Element - Heating (21.6 kW, 240 V.) (Before S/N 463035423).....	2
*	00-832611-00024	Element - Heating (21.6 kW, 480 V.) (Before S/N 463035423).....	2
	00-858755-00001	Element - Heating (480 VAC) (7.5 Kw) (Starting S/N 463035423).....	2
	00-858756-00001	Element - Heating (208/240 VAC) (10 Kw) (Starting S/N 463035423).....	2
	00-858754-00001	Element - Heating (208/240 VAC) (12/16 Kw) (Starting S/N 463035423).....	2
	00-858757-00001	Element - Heating (480 VAC) (12 Kw) (8 Bolt Flange) (Starting S/N 463035423).....	2
*	00-823611-00025	Jumper - Element.....	AR
	00-841496-00002	Pressure Relief Valve (10#) (Previous Construction).....	1
	00-841496-00001	Pressure Relief Valve 1/2" (15#) (Current Construction).....	1
	00-833220-00011	Thermostat Dial (Electronic Ignition).....	1
9	00-836804	Contactactor.....	4
	00-836805	Contactactor.....	2
	00-836806	Contactactor.....	2
	00-881654	Contactactor (40 Amp, 3 Pole).....	2
	00-881655	Contactactor 50 AMP.....	1
	00-881656	Contactactor 60 AMP.....	1
	00-836807	Bracket - Contactactor.....	1
*	00-833651	Rust Inhibitor (Six Ounce Bottle) (2 Ounces per Charge).....	AR
	00-833652	Petro-Gel (1 Tube).....	AR
	00-833525	Transformer - Step Down.....	AR
	00-831912-00011	Gasket (Between Kettle and Control Box).....	AR
	00-833515	Ring (1-1/4 Seal).....	AR
*	00-843927	Strainer 1-1/2 In.....	AR
*	00-843928	Strainer 2 In.....	AR
*	00-843929	Strainer 3 In.....	AR
*	00-836799-00010	Black Draw Off Valve Handle.....	AR

\* No Longer Available

7	00-438131-00021	Label - Warning
8	00-857426-00001	Label - Cleaning
9	00-908805	Label - Ground Warning
10	00-422317-00001	Label - Vulcan
11	00-833220	Thermostat
12	00-845647-00001	Knob - Control

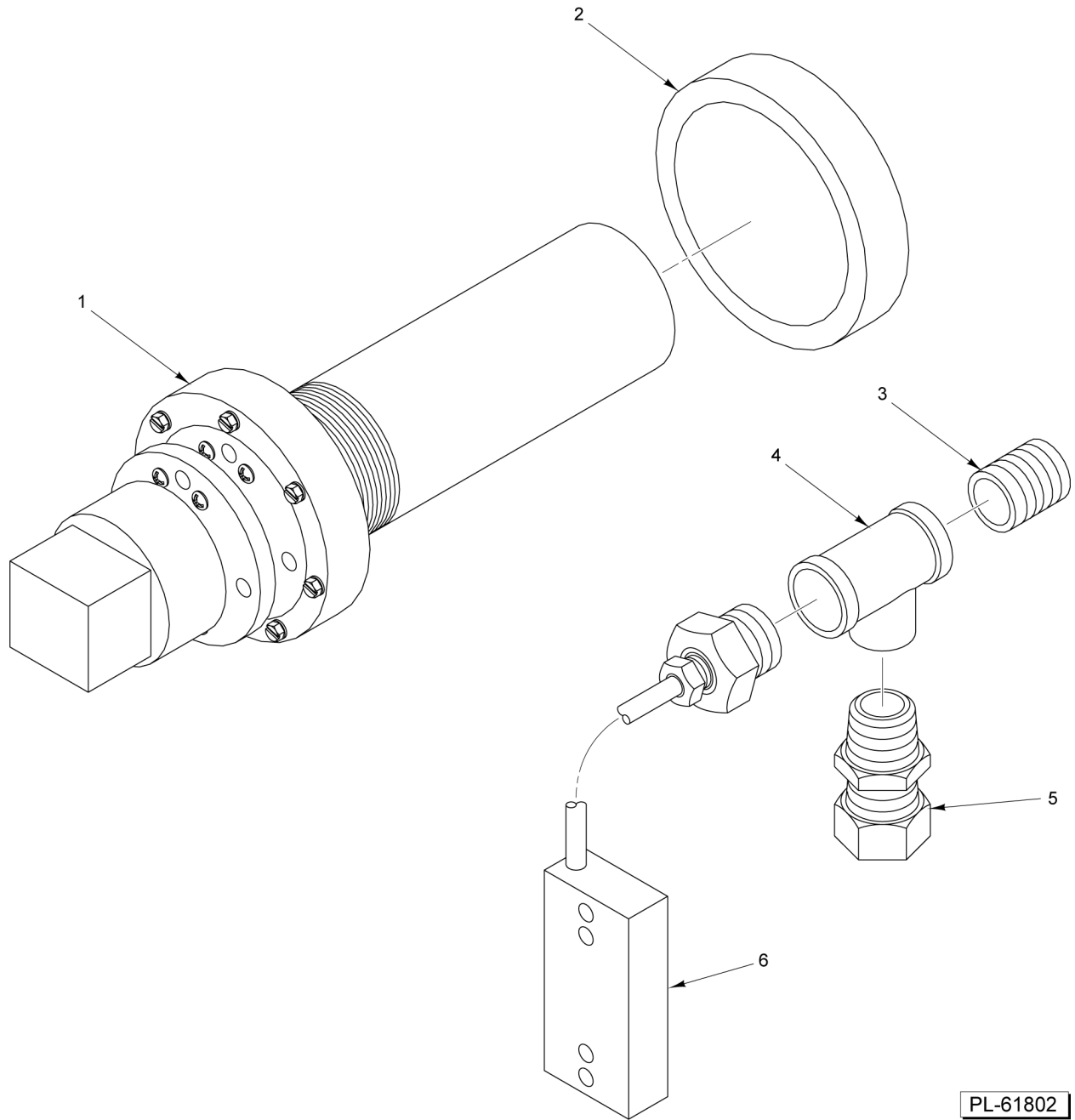
**PARTS NOT ILLUSTRATED**



**CONTROL BOX**

**CONTROL BOX**

ILLUS.	PART NO.	NAME OF PART	AMT.
PL-61805			
1	00-833488	Switch - Pressure Limit.....	1
2	00-854468-00001	Bracket.....	1
3	00-833152	Gauge - Pressure.....	1
4	FP-081-74	Tee 1/4 Tube.....	1
5	FP-012-10	Fitting - Tube 1/4 (Brass).....	1
6		Switch Assy.....	1
7	00-438131-00021	Label - Warning.....	1
8	00-857426-00001	Label - Cleaning.....	1
9	00-908805	Label - Ground Warning.....	1
10	00-422317-00001	Label - Vulcan.....	1
11	00-833220	Thermostat (Electric Control).....	1
12	00-854647-00001	Knob - Control.....	1

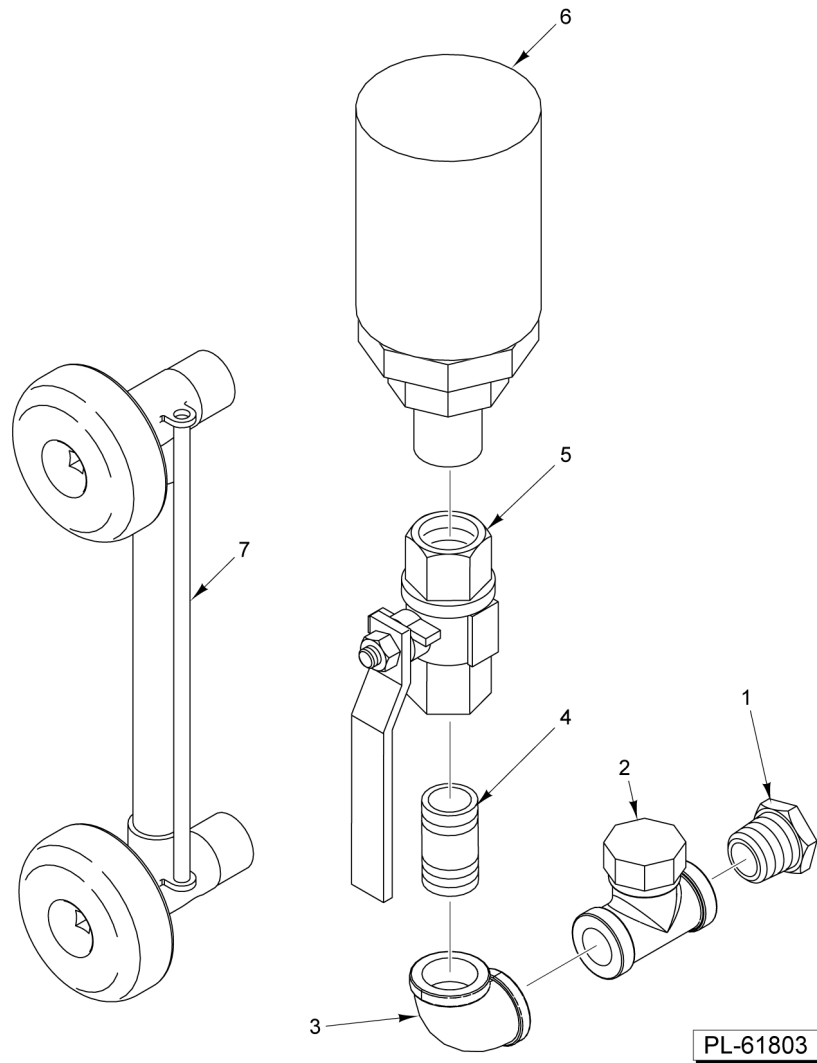


**LOW WATER CUTOFF**



**LOW WATER CUTOFF**

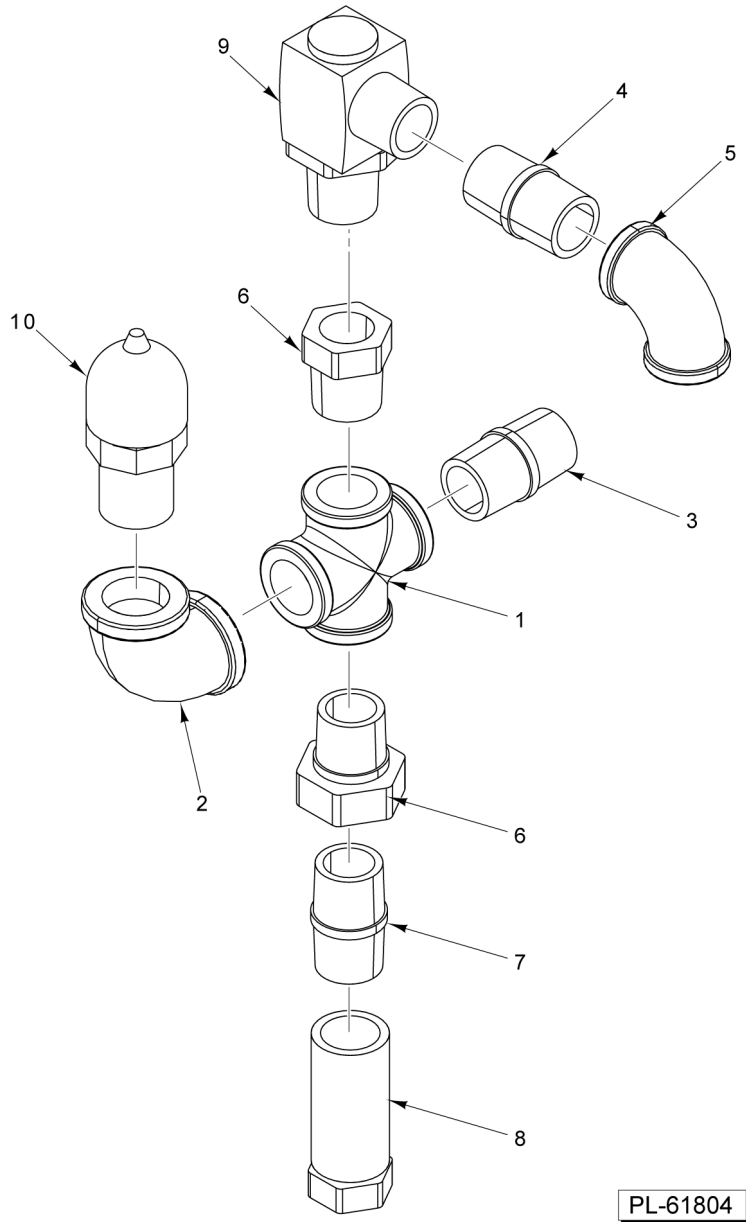
ILLUS.	PART NO.	NAME OF PART	AMT.
PL-61802			
1	00-880030	Low Water Cut-off (Complete).....	1
2	00-841826	Insulation.....	1
3	FP-035-46	Pipe 3/8 x 1 Lg. TBE.....	1
4	FP-077-99	Tee 3/8 x 3/8 x 1/4.....	1
5	FP-047-23	Connector - Male 1/4 Tube to 1/4 Pipe.....	1
6	00-833220	Thermostat (Electric Control).....	1



**FILL ASSEMBLY**

**FILL ASSEMBLY**

ILLUS.	PART NO.	NAME OF PART	AMT.
PL-61803			
1	FP-040-42	Pipe 1/2 x 1-1/8 TBE (Brass).....	1
2	00-833648-00002	Valve - Swing Check 1/2" (Brass).....	1
3	FP-015-17	Elbow - Pipe 1/2 x 90 Deg. (Brass).....	1
4	FP-054-08	Pipe 1/2 x 1-1/8 TBE (SST).....	1
5	00-858008-00001	Valve - Ball 1/2 In.....	1
6	00-858635-00001	Fill Tube Assy.....	1
7	00-833493	Gauge Glass Assy. (Complete).....	1

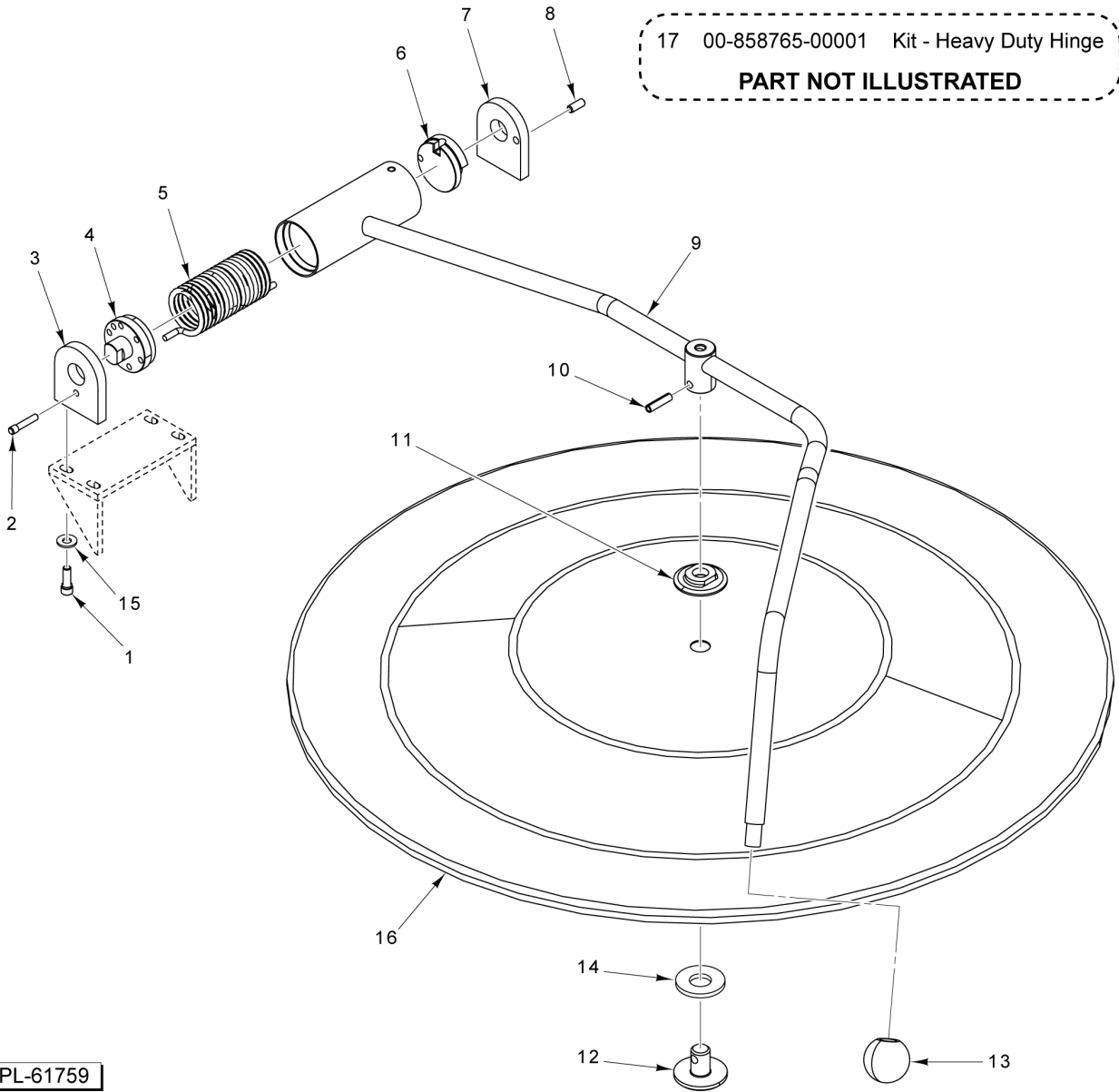


PL-61804

**PRESSURE RELIEF VALVE**

**PRESSURE RELIEF VALVE**

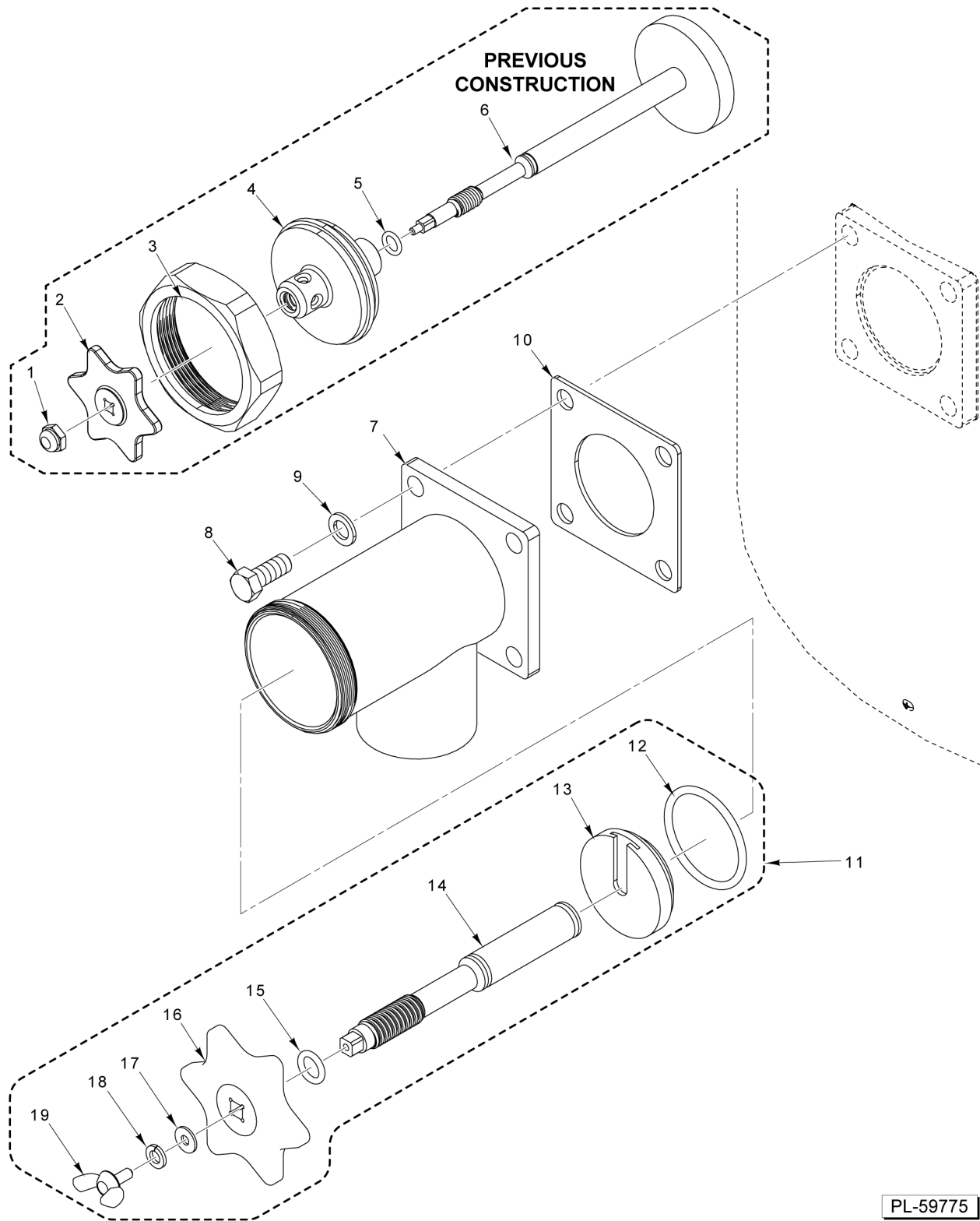
ILLUS.	PART NO.	NAME OF PART	AMT.
PL-61804			
1	FP-083-92	Cross 3/4".....	1
2	FP-015-24	Elbow - Pipe 3/4 x 90 Deg. (Brass).....	1
3	FP-041-50	Pipe 3/4 x 1-3/8 TBE (Brass).....	1
4	FP-040-42	Pipe 1/2 x 1-1/8 TBE (Brass).....	1
5	FP-015-16	Elbow - Pipe 1/2 x 90 Deg. (Brass).....	1
6	FP-027-22	Bushing - Pipe 3/4 to 1/2 (Brass).....	2
7	FP-054-08	Pipe 1/2 x 1-1/8 TBE (SST).....	1
8	00-833238	Vacuum Breaking Check Valve, 1/2".....	1
9	00-841496-00001	Pressure Relief Valve 1/2" (15#).....	1
10	00-833239	Air Vent 3/4".....	1



**SPRING ASSIST COVER**

**SPRING ASSIST COVER**

ILLUS.	PART NO.	NAME OF PART	AMT.
PL-61596			
1	SC-110-98	Cap Screw 1/4-20 x 3/4 Hex Socket Hd. (SST).....	4
2	00-853284-00001	Pin - Lock.....	1
3	00-857777-00001	Plate - Hinge (LH).....	1
4	00-853292-00001	Disc - Tension Adjustment.....	1
5	00-853289-00001	Spring - Torsion.....	1
6	00-853293-00001	Disc - Rotary Stop.....	1
7	00-857779-00001	Plate - Hinge.....	1
8	00-855221-00001	Pin - Stop.....	1
9	00-853278-00001	Cover Handle (29") (Spring Assist Cover) (25, 30, 40 Gallon Kettles).....	1
9	00-853279-00001	Cover Handle (36") (Spring Assist Cover) (60, 80, 100, 125, 150 Gallon Kettles).....	1
10	RP-004-31	Roll Pin 1/4 x 1.....	1
11	00-853568-00001	Nut - Kettle Cover.....	1
12	00-853567-00001	Rocker - Kettle Cover.....	1
13	00-853285-00001	Knob - Press On.....	1
14	OR-001-07	"O" Ring (Per Standard 016).....	1
15	WL-006-17	Lockwasher 1/4 Helical (SST).....	1
16	00-853281-00001	Cover w/ Condesate Ring.....	1
17	00-858765-00001	Kit - Heavy Duty Hinge.....	AR



PL-59775

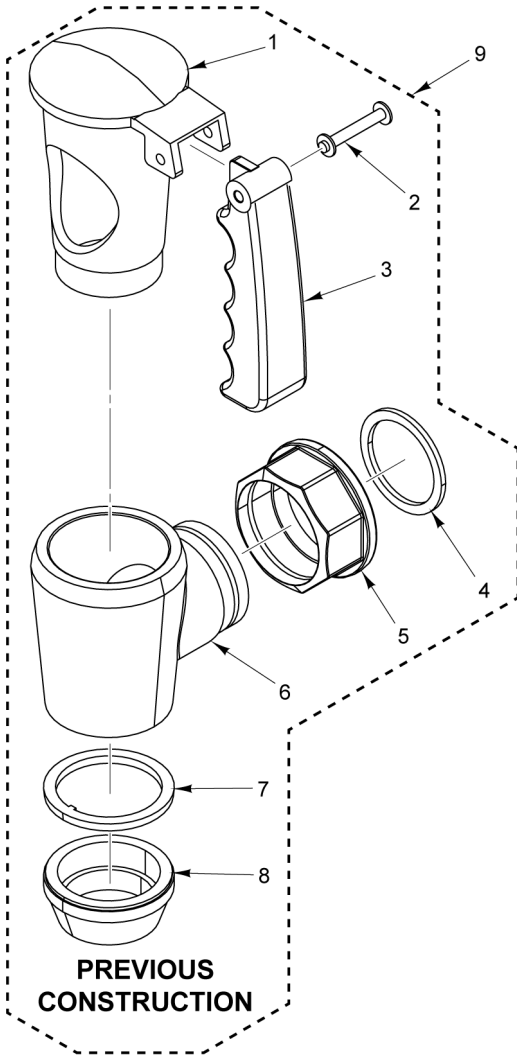
**DRAW-OFF VALVE ASSEMBLY  
(3 INCH)**



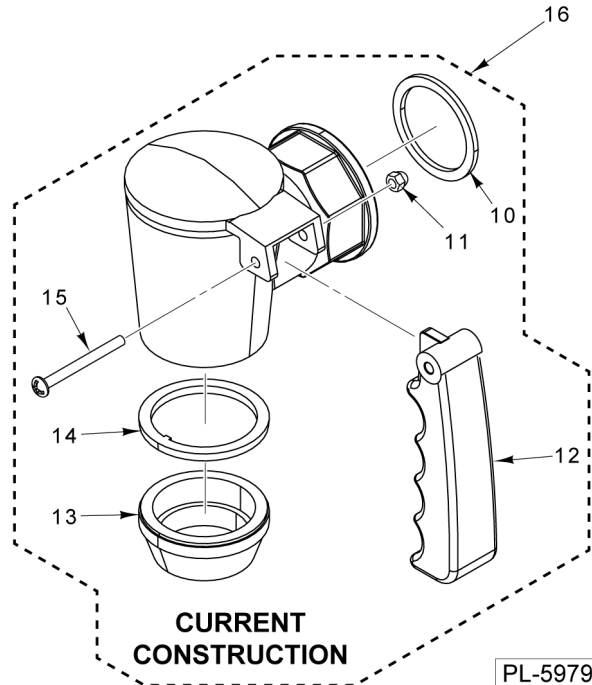
**DRAW-OFF VALVE ASSEMBLY  
(3 INCH)**

ILLUS.	PART NO.	NAME OF PART	AMT.
PL-59775			
1	00-359996-00007	Nut - Acorn (Previous Construction).....	1
2	00-359996-00005	Handle (Previous Construction).....	1
3	00-359996-00004	Hex Nut (Previous Construction).....	1
*4	00-857977-00003	Retainer (Previous Construction).....	1
5	00-359996-00006	O-ring (Previous Construction).....	1
6	00-359996-00002	Disc and Stem Assembly (Previous Construction).....	1
7	00-857978-00002	Valve Body (3 In.).....	1
8	SC-041-44	Cap Screw 1/2-13 x 1-1/4 Hex Hd. (SST).....	4
9	WL-006-35	Lockwasher 1/2 Light (SST).....	4
10	00-855830-00001	Gasket - Draw-Off Valve.....	1
11	00-857919-00001	Stem Plunger Assy. (3 In.) (Incls. Items 12 thru 19) (Current Construction).....	1
12	00-857919-00004	O-Ring (Current Construction).....	1
13	00-857919-00003	Seal, Nylon 3 In. (Current Construction).....	1
14	00-857919-00002	Stem (Current Construction).....	1
15	00-857919-00005	O-Ring (Current Construction).....	1
16	00-857919-00006	Handle (SST) (Current Construction).....	1
17	00-857919-00009	Washer - Flat (SST) (Current Construction).....	1
18	00-857919-00008	Washer - Lock (SST) (Current Construction).....	1
19	00-857919-00007	Screw - Wing M6 x 12 (SST) (Current Construction).....	1

\* Call for Price and Availability



- |    |                 |                         |
|----|-----------------|-------------------------|
| 17 | 00-856569-00002 | Plate - Valve Mount     |
| 18 | 00-855830-00001 | Gasket - Draw-Off Valve |
- PARTS NOT ILLUSTRATED**



PL-59795

**PLUG VALVE  
(2 INCH)**

**PLUG VALVE  
(2 INCH)**

ILLUS.	PART NO.	NAME OF PART	AMT.
1	00-857547-00004	Plug - Valve (Draw-Off) (Previous Construction).....	1
2	00-857547-00007	Pin - Retaining (Previous Construction).....	1
3	00-857547-00006	Handle - Athermic (Previous Construction).....	1
4	00-857170-00009	Gasket - Coupling (Previous Construction).....	1
5	00-857547-00003	Coupling - Valve (Draw-Off) (Previous Construction).....	1
6	00-857547-00002	Valve Body (Draw-Off) (Previous Construction).....	1
7	00-857547-00005	Washer (Previous Construction).....	1
8	00-857547-00008	Ring - Metal (Previous Construction).....	1
9	00-857547-00001	Draw-Off Valve Assy. (2 In., Plug Type) (Incls. Items 1 thru 8) (Previous Construction) .....	1
10	00-858268-00009	Gasket (Current Construction).....	1
11	00-858268-00010	Nut, M6 (SST) (Current Construction).....	1
12	00-858268-00006	Handle (Current Construction).....	1
13	00-858268-00003	Nut, Valve Plug (Current Construction).....	1
14	00-858268-00004	Washer (Current Construction).....	1
15	00-858268-00007	Screw M6 x 50 (Current Construction).....	1
16	00-858268-00001	Draw-Off Valve Assy. 2 In. (Incls. Items 10 thru 15) (Current Construction).....	1
17	00-856569-00002	Plate - Valve Mount.....	1
18	00-855830-00001	Gasket - Draw-Off Valve.....	1

