

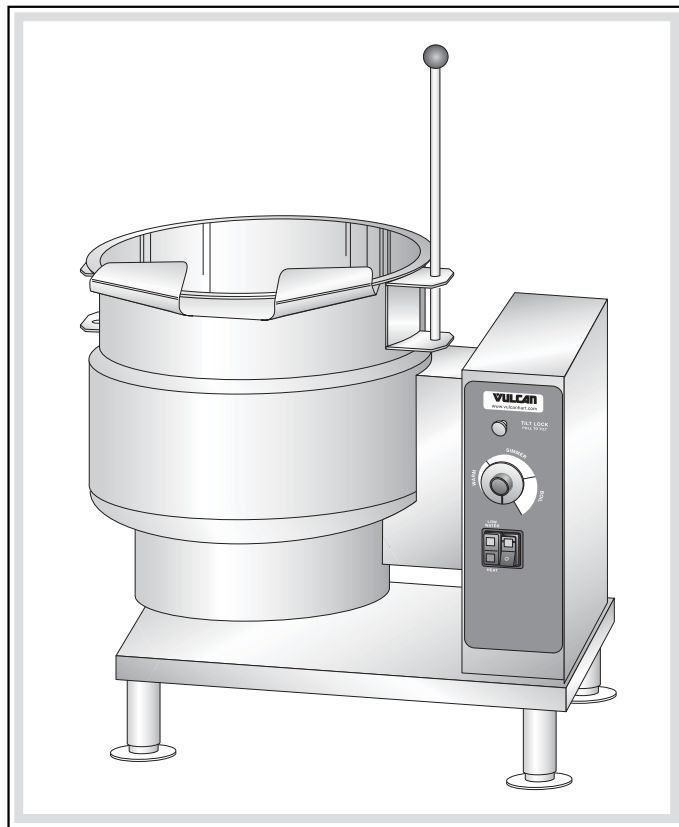
VULCAN

CATALOG OF REPLACEMENT PARTS

ELECTRIC COUNTERTOP TILTING KETTLE

MODELS

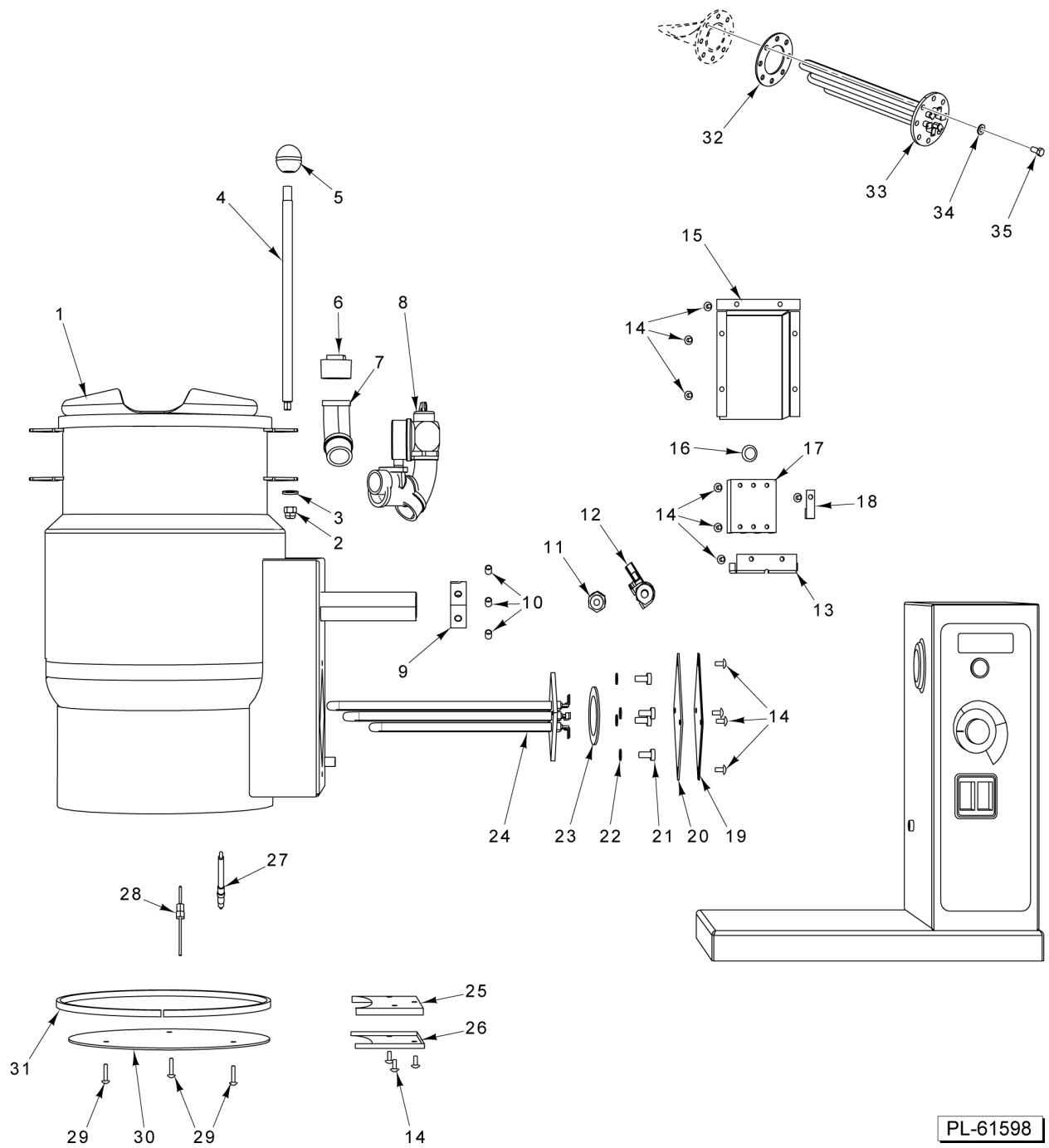
| | |
|----------------------|-------------------------|
| <i>K6ETT</i> | <i>ML-136067</i> |
| <i>K12ETT</i> | <i>ML-136068</i> |
| <i>K20ETT</i> | <i>ML-136069</i> |



For additional information on Vulcan or to locate an authorized parts and service provider in your area, visit our website at www.vulcanequipment.com

Table of Contents

| | |
|----|------------------------------|
| 5 | K6ETT & K12ETT ASSEMBLY |
| 7 | K6ETT & K12ETT CONTROL PANEL |
| 9 | K20ETT ASSEMBLY |
| 11 | K20ETT CONTROL PANEL |



PL-61598

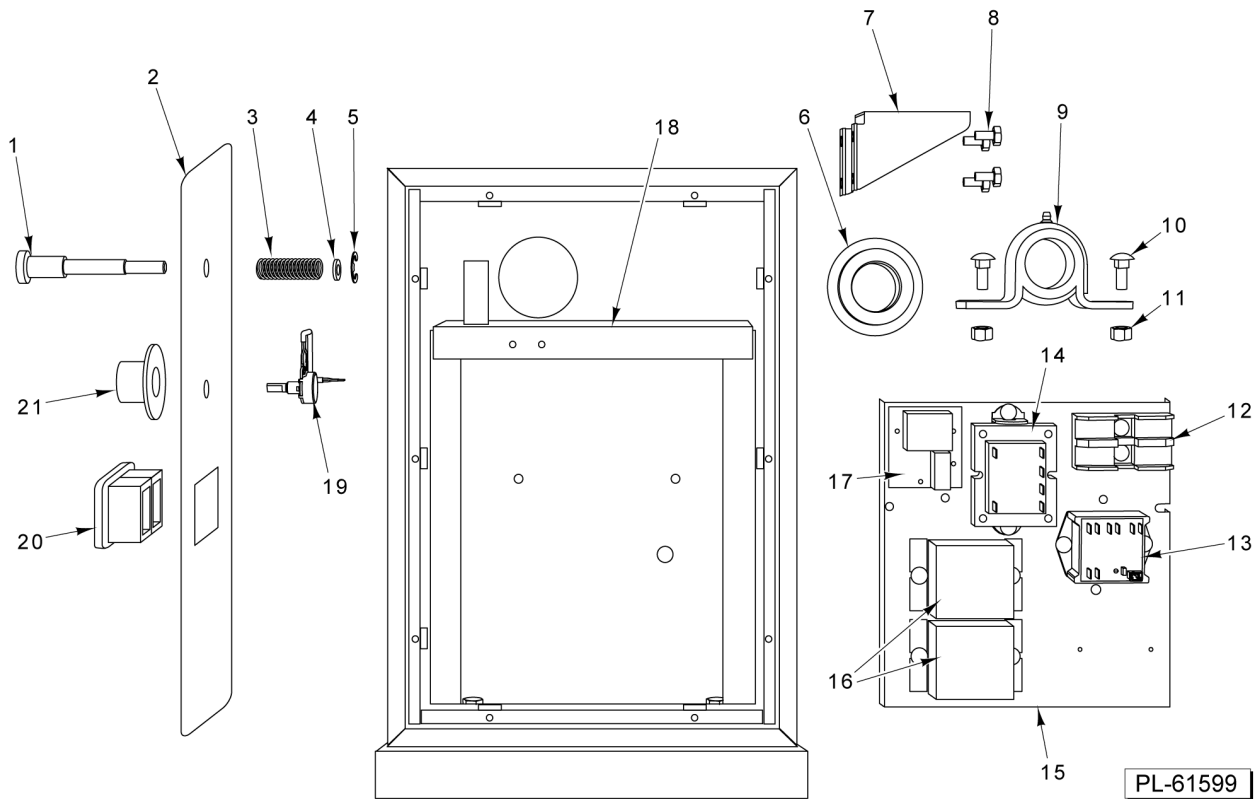
K6ETT & K12ETT ASSEMBLY

K6ETT & K12ETT ASSEMBLY

| ILLUS. | PART NO. | NAME OF PART | AMT. |
|----------|-----------------|--|------|
| PL-61598 | | | |
| 1 | 00-855999-00001 | Kettle Assy. (K6ETT)..... | 1 |
| | 00-856101-00002 | Kettle Assy. (K12ETT)..... | 1 |
| 2 | NS-025-16 | Acorn Nut 3/8-16..... | 1 |
| 3 | WL-006-27 | Lockwasher 3/8 Helical (SST)..... | 1 |
| 4 | 00-856017-00001 | Tilt Handle..... | 1 |
| 5 | 00-853285-00001 | Knob - Press On..... | 1 |
| 6 | FP-028-15 | Pipe Plug 1/2 Sq. Hd. (Brass)..... | 1 |
| 7 | FP-015-17 | Elbow - Pipe 1/2 x 90 Deg. (Brass)..... | 1 |
| 8 | 00-855954-00001 | Gauge, Pressure..... | 1 |
| | 00-855968-00001 | Valve - Relief (50 PSI)..... | 1 |
| | FP-015-17 | Elbow - Pipe 1/2 x 90 Deg. (Brass)..... | 1 |
| | FP-040-42 | Pipe 1/2 x 1-1/8 TBE (Brass)..... | 1 |
| | FP-069-06 | Tee - Pipe 1/2 x 1/2 x 1/4 (Brass)..... | 1 |
| 9 | 00-855975-00001 | Collar - Pivot Stop..... | 1 |
| 10 | SC-047-42 | Set Screw 3/8-16 x 1/2 Soc. Hdls., Cup Pt..... | 3 |
| 11 | FP-090-36 | Coupling - Anchor 1/8 (Brass)..... | 1 |
| 12 | 00-856045-00001 | Switch - Pressure..... | 1 |
| 13 | 00-856528-00001 | Bracket - Power Supply..... | 1 |
| 14 | SC-066-06 | Mach. Screw 10-24 x 1/2 Phil. Truss Hd. (SST)..... | AR |
| 15 | 00-856529-00001 | Cover - Terminal Block..... | 1 |
| 16 | FE-016-32 | Bushing - Snap (Electrical)..... | 1 |
| 17 | 00-410472-00008 | Block - Terminal (3-Pole)..... | 1 |
| 18 | FE-023-88 | Lug - Ground..... | 1 |
| 19 | 00-857113-00001 | Cover - Heater Access (K6ETT)..... | 1 |
| | 00-857129-00001 | Cover, Heater Access (K12ETT)..... | 1 |
| 20 | 00-857114-00001 | Gasket - Heater Access (K6ETT)..... | 1 |
| | 00-857130-00001 | Gasket, Heater Cover (K12ETT)..... | 1 |
| 21 | SC-041-11 | Cap Screw 5/16-18 x 3/4 Hex Hd. (SST) (Before S/N 463030197)..... | AR |
| 22 | WL-006-23 | Lockwasher 5/16 Helical (SST) (Before S/N 463030197)..... | AR |
| 23 | 00-855940-00001 | Seal - Heating Element (K6ETT) (Before S/N 463030197)..... | 1 |
| | 00-857131-00001 | Gasket, Heating Element (K12ETT) (Before S/N 463030197)..... | 1 |
| 24 | 00-856572-00001 | Element - Heating (208/240 VAC) (K6ETT) (Before S/N 463030197)..... | 1 |
| | 00-856572-00002 | Element - Heating (480 VAC) (K6ETT) (Before S/N 463030197)..... | 1 |
| | 00-856572-00003 | Element - Heating (380 VAC) (K6ETT) (Before S/N 463030197)..... | 1 |
| | 00-856573-00001 | Element - Heating (208/240 VAC) (K12ETT) (Before S/N 463030197)..... | 1 |
| | 00-856573-00002 | Element - Heating (480 VAC) (K12ETT) (Before S/N 463030197)..... | 1 |
| | 00-856573-00003 | Element - Heating (380 VAC) (K12ETT) (Before S/N 463030197)..... | 1 |
| 25 | 00-856025-00001 | Gasket - Element Bottom Cover (K6ETT)..... | 1 |
| | 00-856098-00001 | Gasket - Element Bottom Cover (K12ETT)..... | 1 |
| 26 | 00-856024-00001 | Cover - Element Bottom (K6ETT)..... | 1 |
| | 00-856099-00001 | Cover - Element Bottom (K12ETT)..... | 1 |
| 27 | 00-855856-00001 | Probe - Water Level..... | 1 |
| 28 | 00-856042-00001 | Sensor - Temperature..... | 1 |
| 29 | SC-093-27 | Mach. Screw 10-24 x 7/8 Phil. Truss Hd. (SST)..... | 3 |
| 30 | 00-856021-00001 | Cover (Bottom) (K6ETT)..... | 1 |
| | 00-856095-00001 | Cover (Bottom) (K12ETT)..... | 1 |
| 31 | 00-856022-00001 | Gasket - Bottom Cover (K6ETT)..... | 1 |
| | 00-856022-00002 | Gasket - Bottom Cover (K12ETT)..... | 1 |
| 32 | 00-858771-00001 | Gasket (Starting S/N 463030197)..... | 1 |
| 33 | 00-858755-00001 | Element - Heating (480 VAC) (7.5 Kw) (K6ETT) (Starting S/N 463030197)..... | 1 |
| | 00-858756-00001 | Element - Heating (208/240 VAC) (10 Kw) (K6ETT) (Starting S/N 463030197)..... | 1 |
| | 00-858754-00001 | Element - Heating (208/240 VAC) (12/16 Kw) (K12ETT) (Starting S/N 463030197)..... | 1 |
| | 00-858757-00001 | Element - Heating (480 VAC) (12 Kw) (8 Bolt Flange) (K12ETT) (Starting S/N 463030197)..... | 1 |
| 34 | 00-858769-00001 | Washer (Starting S/N 463030197)..... | 8 |
| 35 | 00-858770-00001 | Screw (Starting S/N 463030197)..... | 8 |

- | | | |
|----|-----------------|---------------------------|
| 22 | SD-019-29 | Screw 6-20 x 1/2 |
| 23 | 00-854766-00001 | Nut - Speed 3 Type |
| 24 | 00-857123-00001 | Cover - Control Box |
| 25 | 00-856574-00001 | Kit - Control Box Seal |
| 26 | 00-857410-00001 | Harness - Main |
| 27 | 00-857417-00001 | Harness - Pressure Switch |
| 28 | 00-857418-00001 | Harness - Heating Element |

PARTS NOT ILLUSTRATED

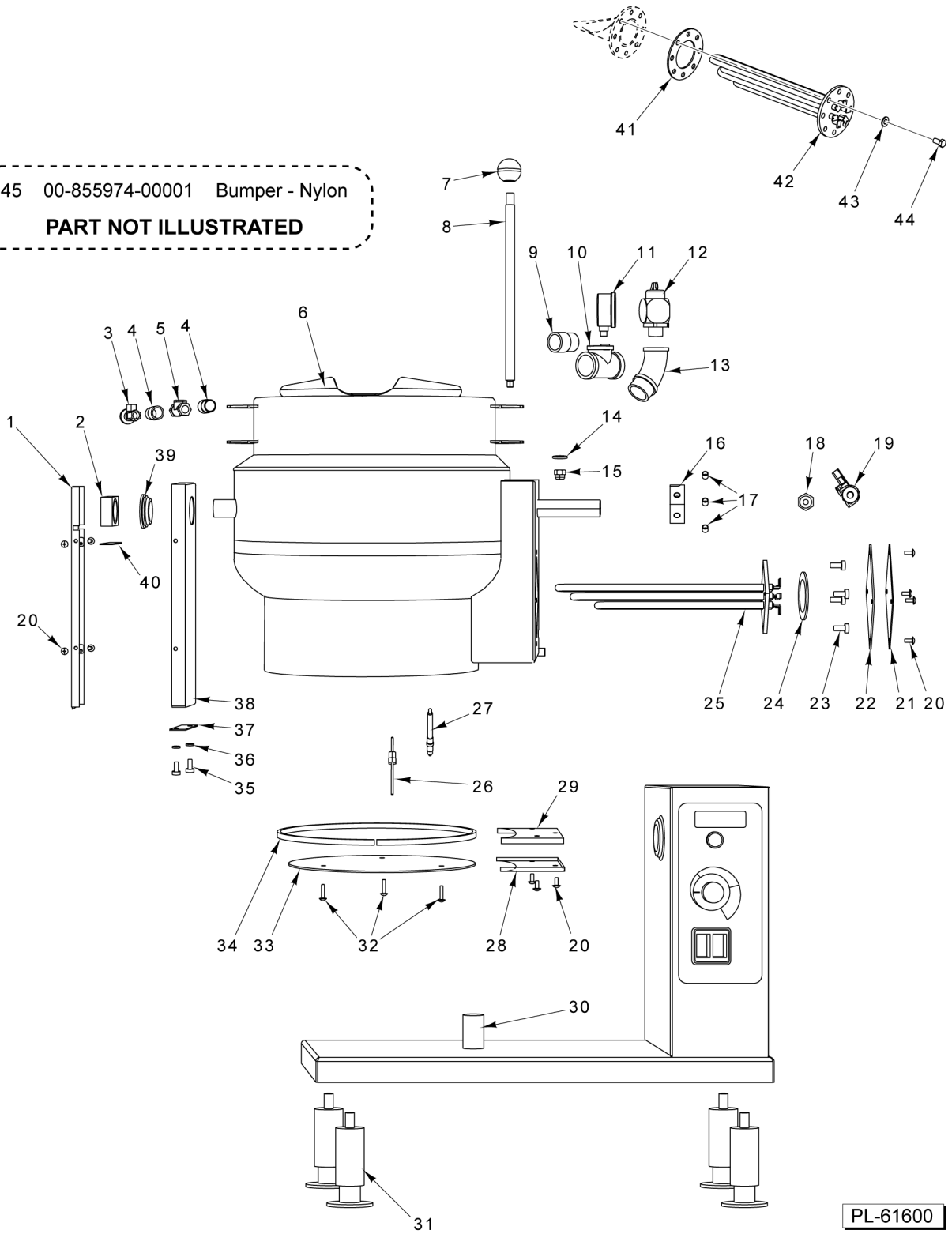


K6ETT & K12ETT CONTROL PANEL

K6ETT & K12ETT CONTROL PANEL

| ILLUS. | PART NO. | NAME OF PART | AMT. |
|----------|-----------------|--|------|
| PL-61599 | | | |
| 1 | 00-856026-00001 | Pivot Stop..... | 1 |
| 2 | 00-855801-00001 | Overlay..... | 1 |
| 3 | 00-855977-00001 | Spring - Compression..... | 1 |
| 4 | WS-006-44 | Washer (SST)..... | 2 |
| 5 | RR-006-22 | Retaining Ring 1/4 In. (SST)..... | 1 |
| 6 | 00-855909-00001 | Gasket - Shaft..... | 1 |
| 7 | 00-855902-00001 | Bracket - Faucet..... | 1 |
| 8 | SC-041-50 | Cap Screw 1/4-20 x 1/2 Hex Hd. (SST)..... | 4 |
| 9 | 00-855901-00001 | Bearing..... | 2 |
| 10 | SC-082-38 | Bolt Square Neck 3/8-16 x 1..... | 4 |
| 11 | NS-015-13 | Nut 3/8-16 Hex (SST)..... | 4 |
| 12 | 00-855028-00001 | Block - Fuse..... | 1 |
| 13 | 00-857112-00001 | Controller - Temperature..... | 1 |
| 14 | 00-294500-00033 | Transformer(60 VA)(208/240/60/1)(208/240/60/3)(480/60/3)(200/50/3)(Electric Booster)..... | 1 |
| 15 | 00-855904-00001 | Panel - Electrical Controls..... | 1 |
| 16 | 00-840115 | Contactora (25 Amp.)..... | 2 |
| 17 | 00-844070-00001 | Control - Low Water..... | 1 |
| 18 | 00-857120-00001 | Support - Bearing..... | 1 |
| 19 | 00-857389-00001 | Potentiometer..... | 1 |
| 20 | 00-855797-00005 | Switch Assy. (Power with Indicator Lights)..... | 1 |
| 21 | 00-854647-00001 | Knob - Control..... | 1 |
| 22 | SD-019-29 | Self-Tapping Screw 6-20 x 1/2 Phil. Pan Hd., Type B..... | AR |
| 23 | 00-854766-00001 | Nut - Speed 3 Type..... | AR |
| 24 | 00-857123-00001 | Cover - Control Box..... | 1 |
| 25 | 00-856574-00001 | Kit - Control Box Seal..... | 1 |
| 26 | 00-857410-00001 | Harness - Main..... | 1 |
| 27 | 00-857417-00001 | Harness - Pressure Switch..... | 1 |
| 28 | 00-857418-00001 | Harness - Heating Element..... | 1 |

45 00-855974-00001 Bumper - Nylon
PART NOT ILLUSTRATED



K20ETT ASSEMBLY

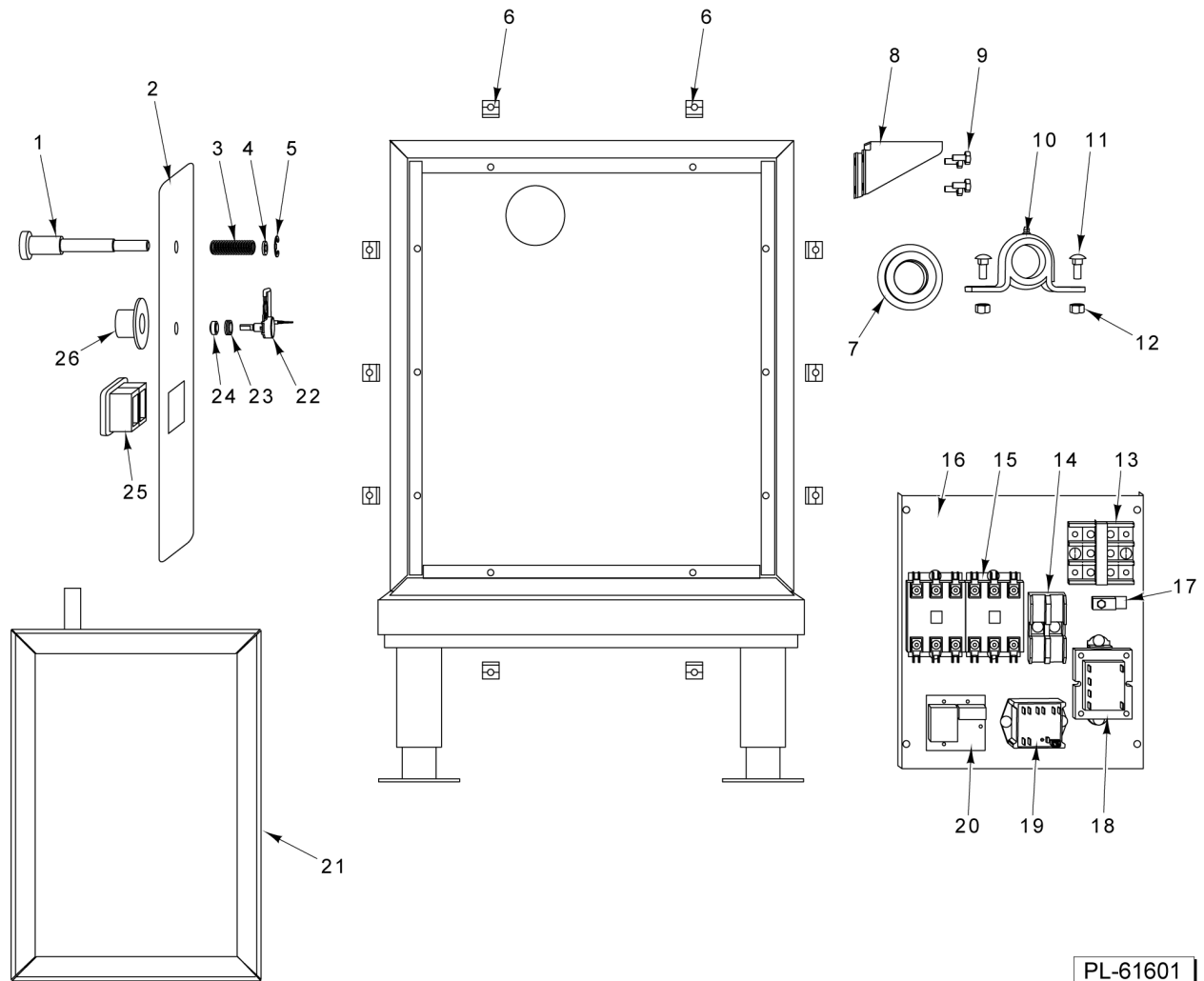
PL-61600

K20ETT ASSEMBLY

| ILLUS. PL-61600 | PART NO. | NAME OF PART | AMT. |
|--------------------|-----------------|---|------|
| 1 | 00-855809-00001 | Cover Assy..... | 1 |
| 2 | 00-855808-00001 | Bearing Housing Assy..... | 1 |
| 3 | 00-833501 | Valve 1/2 Angle..... | 1 |
| 4 | FP-054-08 | Pipe 1/2 x 1-1/8 TBE (SST)..... | 4 |
| 5 | 00-833648-00002 | Valve - Swing Check 1/2" (Brass)..... | 1 |
| 6 | 00-855912-00001 | Kettle Assy..... | 1 |
| 7 | 00-853285-00001 | Knob - Press On..... | 1 |
| 8 | 00-855936-00001 | Handle - Tilt..... | 1 |
| 9 | FP-040-42 | Pipe 1/2 x 1-1/8 TBE (Brass)..... | 1 |
| 10 | FP-069-06 | Tee - Pipe 1/2 x 1/2 x 1/4 (Brass)..... | 1 |
| 11 | 00-855954-00001 | Gauge, Pressure..... | 1 |
| 12 | 00-855968-00001 | Valve - Relief (50 PSI)..... | 1 |
| 13 | FP-015-17 | Elbow - Pipe 1/2 x 90 Deg. (Brass)..... | 1 |
| 14 | WL-006-35 | Lockwasher 1/2 Light..... | 1 |
| 15 | NS-049-14 | Nut Acorn 1/2-16..... | 1 |
| 16 | 00-855975-00001 | Collar - Pivot Stop..... | 1 |
| 17 | SC-047-42 | Set Screw 3/8-16 x 1/2 Soc. Hdls., Cup Pt..... | 3 |
| 18 | FP-090-36 | Coupling - Anchor 1/8 (Brass)..... | 1 |
| 19 | 00-856045-00001 | Switch - Pressure..... | 1 |
| 20 | SC-066-06 | Mach. Screw 10-24 x 1/2 Phil. Truss Hd. (SST)..... | AR |
| 21 | 00-857129-00001 | Cover, Heater Access..... | 1 |
| 22 | 00-857130-00001 | Gasket, Heater Cover..... | 1 |
| 23 | SC-041-11 | Cap Screw 5/16-18 x 3/4 Hex Hd. (SST) (Before S/N 463030197)..... | AR |
| 24 | 00-857131-00001 | Gasket, Heating Element (Before S/N 463030197)..... | 1 |
| 25 | 00-856573-00001 | Element - Heating (208/240 VAC) (Before S/N 463030197)..... | 1 |
| | 00-856573-00002 | Element - Heating (480 VAC) (Before S/N 463030197)..... | 1 |
| | 00-856573-00003 | Element - Heating (380 VAC) (Before S/N 463030197)..... | 1 |
| 26 | 00-856042-00001 | Sensor - Temperature..... | 1 |
| 27 | 00-855856-00001 | Probe - Water Level..... | 1 |
| 28 | 00-855961-00001 | Cover - Heating Element Bottom..... | 1 |
| 29 | 00-855962-00001 | Gasket - Heating Element Bottom..... | 1 |
| 30 | 00-857355-00001 | Support - Kettle..... | 1 |
| 31 | 00-881526 | Leg - With 611 Adjustable Flange Foot..... | 4 |
| 32 | SC-093-27 | Mach. Screw 10-24 x 7/8 Phil. Truss Hd. (SST)..... | 3 |
| 33 | 00-855958-00001 | Cover - Bottom..... | 1 |
| 34 | 00-856022-00003 | Gasket - Bottom Cover..... | 1 |
| 35 | SC-041-28 | Cap Screw 3/8-16 x 3/4 Hex Hd. (SST)..... | 2 |
| 36 | WL-006-27 | Lockwasher 3/8 Helical (SST)..... | 4 |
| 37 | 00-856576-00001 | Shim..... | 1 |
| 38 | 00-855804-00001 | Support..... | 1 |
| 39 | 00-855909-00001 | Gasket - Shaft..... | 1 |
| 40 | 00-855805-00001 | Support..... | 1 |
| 41 | 00-858771-00001 | Gasket (Starting S/N 463030197)..... | 1 |
| 42 | 00-858754-00001 | Element - Heating (208/240 VAC) (12/16 Kw) (Starting S/N 463030197)..... | 1 |
| | 00-858757-00001 | Element - Heating (480 VAC) (12 Kw) (8 Bolt Flange) (Starting S/N 463030197)..... | 1 |
| 43 | 00-858769-00001 | Washer (Starting S/N 463030197)..... | 8 |
| 44 | 00-858770-00001 | Screw (Starting S/N 463030197)..... | 8 |
| 45 | 00-855974-00001 | Bumper - Nylon..... | 1 |

- 27 SD-019-29 Screw 6-20 x 1/2
- 28 00-855911-00001 Cover - Control Box
- 29 00-856575-00001 Kit - Control Box Seal
- 30 00-857410-00002 Harness - Main
- 31 00-857417-00002 Harness - Pressure Switch
- 32 00-857418-00002 Harness - Heating Element

PARTS NOT ILLUSTRATED



PL-61601

K20ETT CONTROL PANEL

K20ETT CONTROL PANEL

| ILLUS. PL-61601 | PART NO. | NAME OF PART | AMT. |
|--------------------|-----------------|--|------|
| 1 | 00-857359-00001 | Pivot..... | 1 |
| 2 | 00-855801-00001 | Overlay..... | 1 |
| 3 | 00-855977-00001 | Spring - Compression..... | 1 |
| 4 | WS-008-48 | Washer (SST)..... | 2 |
| 5 | RR-012-34 | Ring - Retaining 1/4 In..... | 1 |
| 6 | 00-854766-00001 | Nut - Speed 3 Type..... | 10 |
| 7 | 00-855909-00001 | Gasket - Shaft..... | 1 |
| 8 | 00-855902-00001 | Bracket - Faucet..... | 1 |
| 9 | SC-041-50 | Cap Screw 1/4-20 x 1/2 Hex Hd. (SST)..... | 4 |
| 10 | 00-855901-00001 | Bearing..... | 2 |
| 11 | SC-082-38 | Bolt Square Neck 3/8-16 x 1..... | 4 |
| 12 | NS-015-13 | Nut 3/8-16 Hex (SST)..... | 4 |
| 13 | 00-410472-00008 | Block - Terminal (3-Pole)..... | 1 |
| 14 | 00-855028-00001 | Block - Fuse..... | 1 |
| 15 | 00-857112-00001 | Controller - Temperature..... | 1 |
| 16 | 00-856149-00001 | Panel - Electrical Controls..... | 1 |
| 17 | FE-023-88 | Lug - Ground..... | 1 |
| 18 | 00-294500-00033 | Transformer(60 VA)(208/240/60/1)(208/240/60/3)(480/60/3)(200/50/3)(Electric Booster)..... | 1 |
| 19 | 00-840115 | Contactora (25 Amp.)..... | 2 |
| 20 | 00-844070-00001 | Control - Low Water..... | 1 |
| 21 | 00-855896-00001 | Bearing Support..... | 1 |
| 22 | 00-857389-00001 | Potentiometer..... | 1 |
| 23 | 00-854667-00001 | Bracket..... | 1 |
| 24 | 00-854693-00001 | Shaft - Rotary Seal..... | 1 |
| 25 | 00-855797-00005 | Switch Assy. (Power with Indicator Lights)..... | 1 |
| 26 | 00-854647-00001 | Knob - Control..... | 1 |
| 27 | SD-019-29 | Self-Tapping Screw 6-20 x 1/2 Phil. Pan Hd., Type B..... | AR |
| 28 | 00-855911-00001 | Cover - Control Box..... | 1 |
| 29 | 00-856575-00001 | Kit - Control Box Seal..... | 1 |
| 30 | 00-857410-00002 | Harness - Main..... | 1 |
| 31 | 00-857417-00002 | Harness - Pressure Switch..... | 1 |
| 32 | 00-857418-00002 | Harness - Heating Element..... | 1 |

