

VULCAN

CATALOG OF REPLACEMENT PARTS

GL SERIES KETTLES



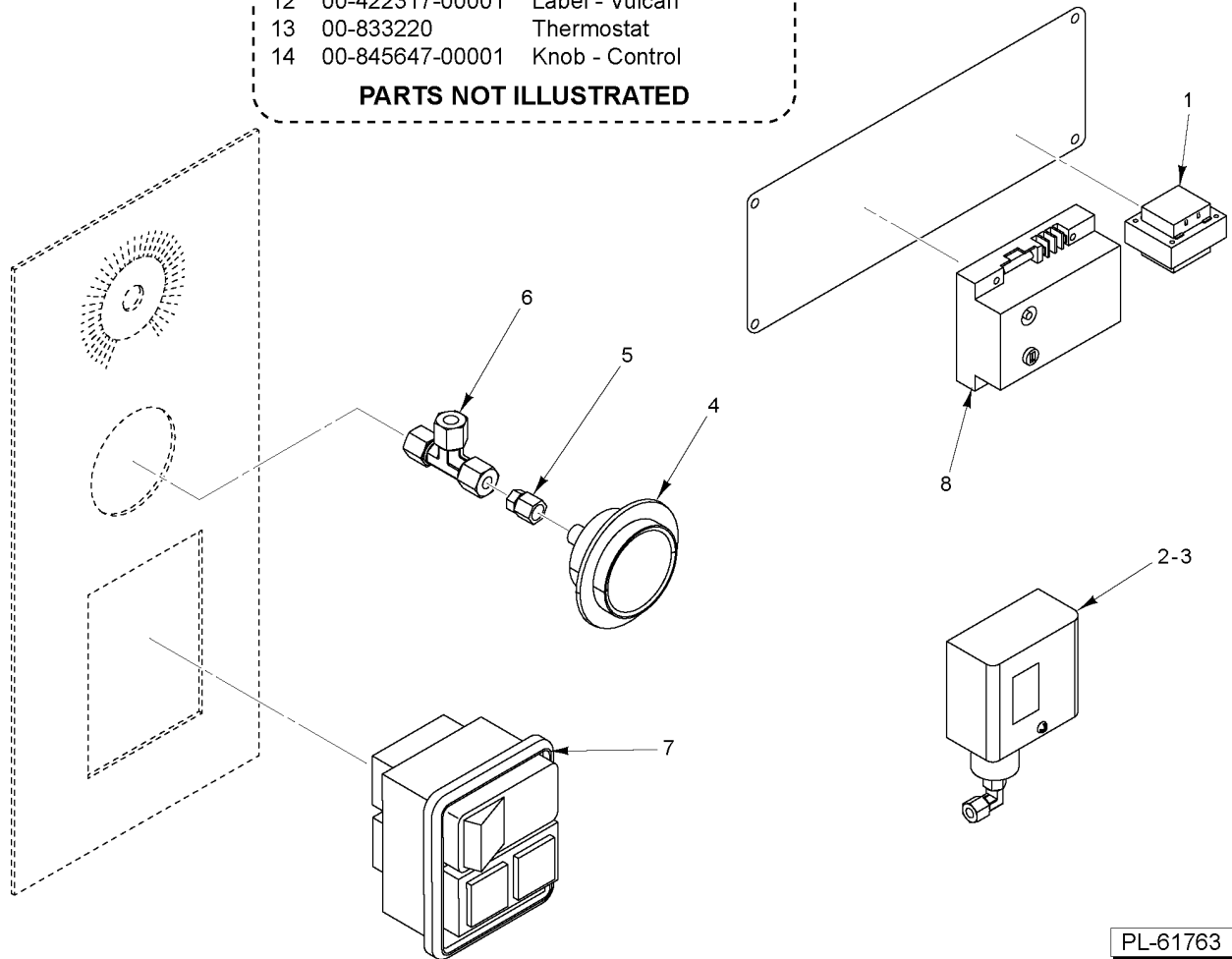
For additional information on Vulcan Company or to locate an authorized parts and service provider in your area, visit our website at www.vulcanequipment.com

Table of Contents

5	CONTROL BOX
7	BURNER CHAMBER
9	LOW WATER CUTOFF
11	FILL ASSEMBLY
13	PRESSURE RELIEF VALVE
15	PLUG VALVE (2 INCH)
17	FLUE
19	LID AND HANDLE ASSEMBLY

- | | | |
|----|-----------------|------------------------|
| 9 | 00-438131-00021 | Label - Warning |
| 10 | 00-857426-00001 | Label - Cleaning |
| 11 | 00-908805 | Label - Ground Warning |
| 12 | 00-422317-00001 | Label - Vulcan |
| 13 | 00-833220 | Thermostat |
| 14 | 00-845647-00001 | Knob - Control |

PARTS NOT ILLUSTRATED

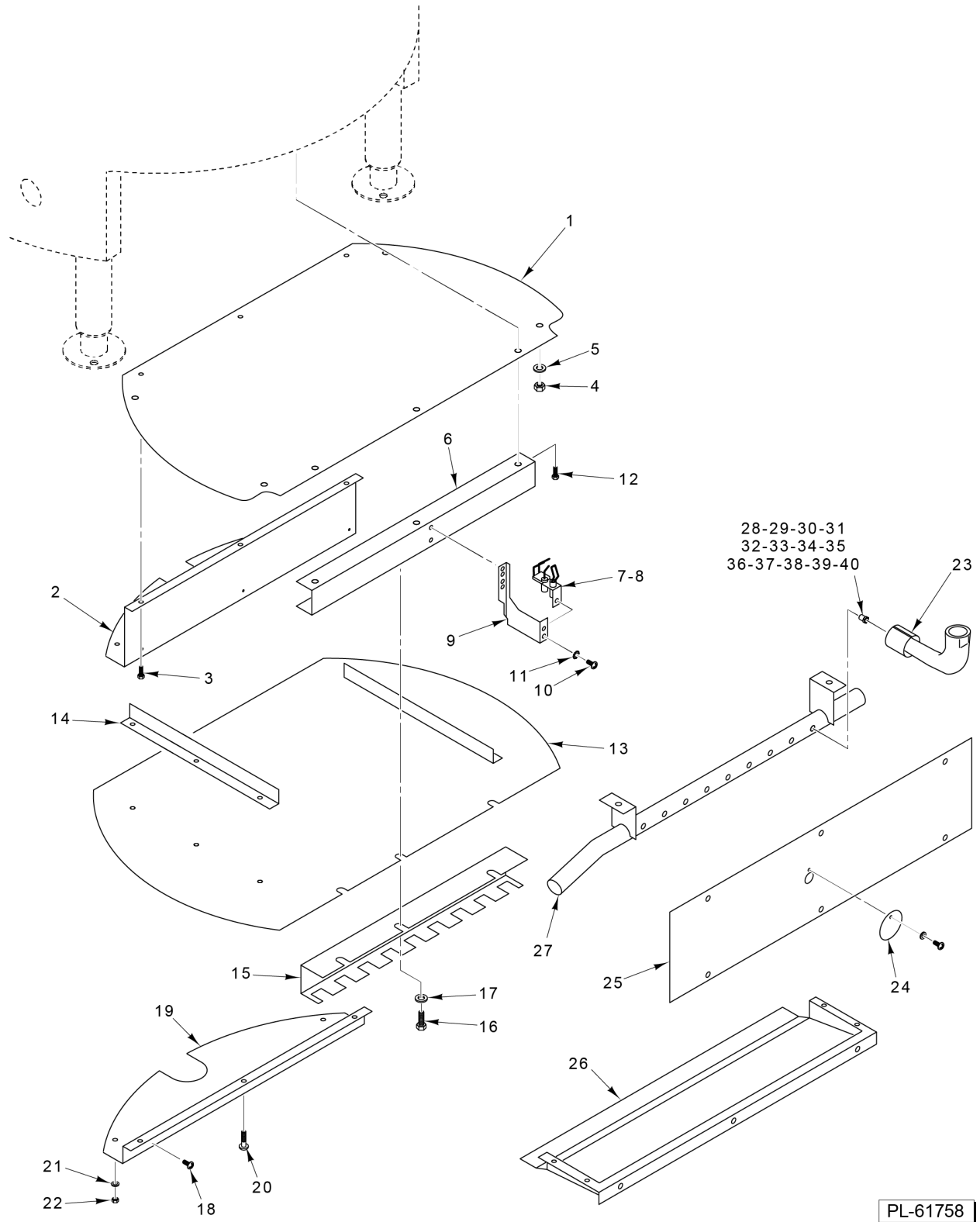


PL-61763

CONTROL BOX

CONTROL BOX

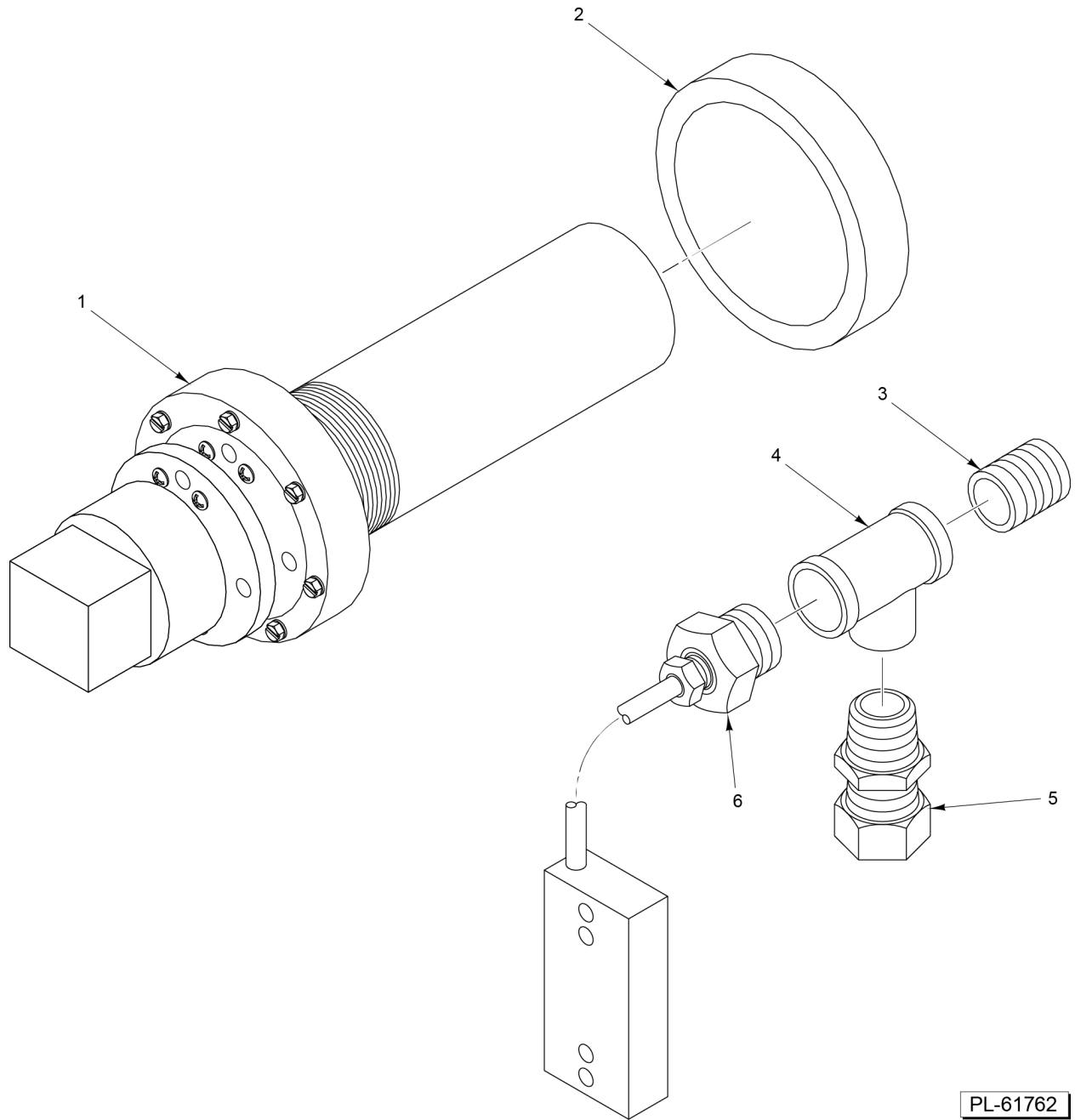
ILLUS.	PART NO.	NAME OF PART	AMT.
PL-61763			
1	00-411500-00012	Transformer (120 VAC, 24 V., 40 VA).....	1
2	00-833488	Switch - Pressure Limit.....	1
3	00-854468-00001	Bracket.....	1
4	00-833152	Gauge - Pressure.....	1
5	FP-081-74	Tee 1/4 Tube.....	1
6	FP-012-10	Fitting - Tube 1/4 (Brass).....	1
7	00-855002-00001	Power Switch W/Indicator Light (Oct., 2003 to Present) Switch Assy.....	1
8	00-858480-00001	Module - Ignition.....	1
9	00-438131-00021	Label - Warning.....	1
10	00-857426-00001	Label - Cleaning.....	1
11	00-908805	Label - Ground Warning.....	1
12	00-422317-00001	Label - Vulcan.....	1
13	00-833220	Thermostat (Electric Control).....	1
14	00-854647-00001	Knob - Control.....	1



BURNER CHAMBER

BURNER CHAMBER

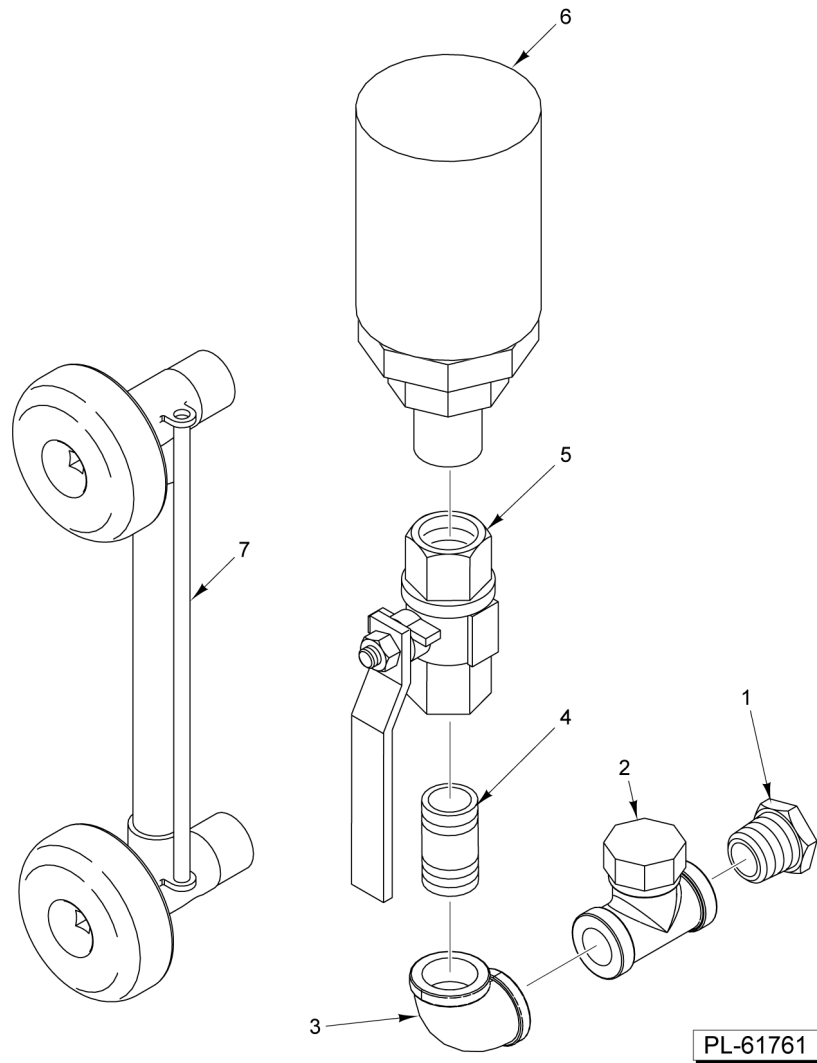
ILLUS. PL-61758	PART NO.	NAME OF PART	AMT.
1	00-832907	Chamber.....	1
2	00-832912	Baffle - Flue.....	1
3	SC-036-14	Cap Screw 1/4-20 x 1/2 Hex Hd.....	3
4	NS-013-22	Nut 3/8-16 Hex.....	6
5	WS-017-06	Washer (SST).....	5
6	00-832914	Support - Burner.....	1
7	00-856615-00001	Pilot - Burner (Electronic Ignition) (NAT).....	1
8	00-856615-00002	Pilot - Burner (Electronic Ignition) (LP).....	1
9	00-842998	Bracket - Pilot.....	1
10	SC-110-87	Mach. Screw #10-32 x 1/4 Phil. Pan Hd.....	2
11	WL-010-06	Lockwasher #10 External Shakeproof.....	2
12	SC-036-14	Cap Screw 1/4-20 x 1/2 Hex Hd.....	5
13	00-832913	Bottom.....	1
14	00-832889	Angle.....	2
15	00-834020	Support - Burner.....	1
16	SC-036-14	Cap Screw 1/4-20 x 1/2 Hex Hd.....	9
17	WS-017-06	Washer (SST).....	9
18	SD-008-18	Self-Tapping Screw 8-18 x 3/8 Phil. Bndg. Hd., Type B.....	3
19	00-832911	Cover - Flue Baffle.....	1
20	SD-008-18	Self-Tapping Screw 8-18 x 3/8 Phil. Bndg. Hd., Type B.....	3
21	WS-017-06	Washer (SST).....	2
22	NS-046-38	Nut 1/4-20 Hex (SST).....	2
23	00-833076-00001	Main Burner Assy. (LP and Nat. Gas).....	9
24	00-832895	Inspection Hole Cover.....	1
25	00-833079-00005	Bolt-in Panel.....	1
26	00-834028-00001	Shield - Bottom.....	1
27	00-832941	Manifold - Gas.....	1
28	00-800665-00025	Orifice #49 (NAT) (0-2000 Ft.).....	9
29	00-800665-00015	Orifice #50 (NAT) (2001-4499 Ft.).....	9
30	00-800665-00026	Orifice #51 (NAT) (4500-7499 Ft.).....	9
31	00-800665-00036	Orifice #52 (NAT) (7500 - 9499 Ft.).....	9
32	00-800665-00027	Orifice #53 (NAT) (9500 - 10500 Ft.).....	9
33	00-800665-00012	Orifice #57 (LP) (0-2000 Ft.).....	9
34	00-800665-00014	Orifice #58 (LP) (2001 - 2499 Ft.).....	9
35	00-800665-00029	Orifice #59 (LP) (2500 - 4499 Ft.).....	9
36	00-800665-00040	Orifice #60 (LP) (4500 - 5499 Ft.).....	9
37	00-800665-00041	Orifice #61 (LP) (5500 - 7499 Ft.).....	9
38	00-800665-00042	Orifice #62 (LP) (7500 - 8499 Ft.).....	9
39	00-800665-00043	Orifice #63 (LP) (8500 - 9499 Ft.).....	9
40	00-800665-00044	Orifice #64 (LP) (9500 - 10500 Ft.).....	9



LOW WATER CUTOFF

LOW WATER CUTOFF

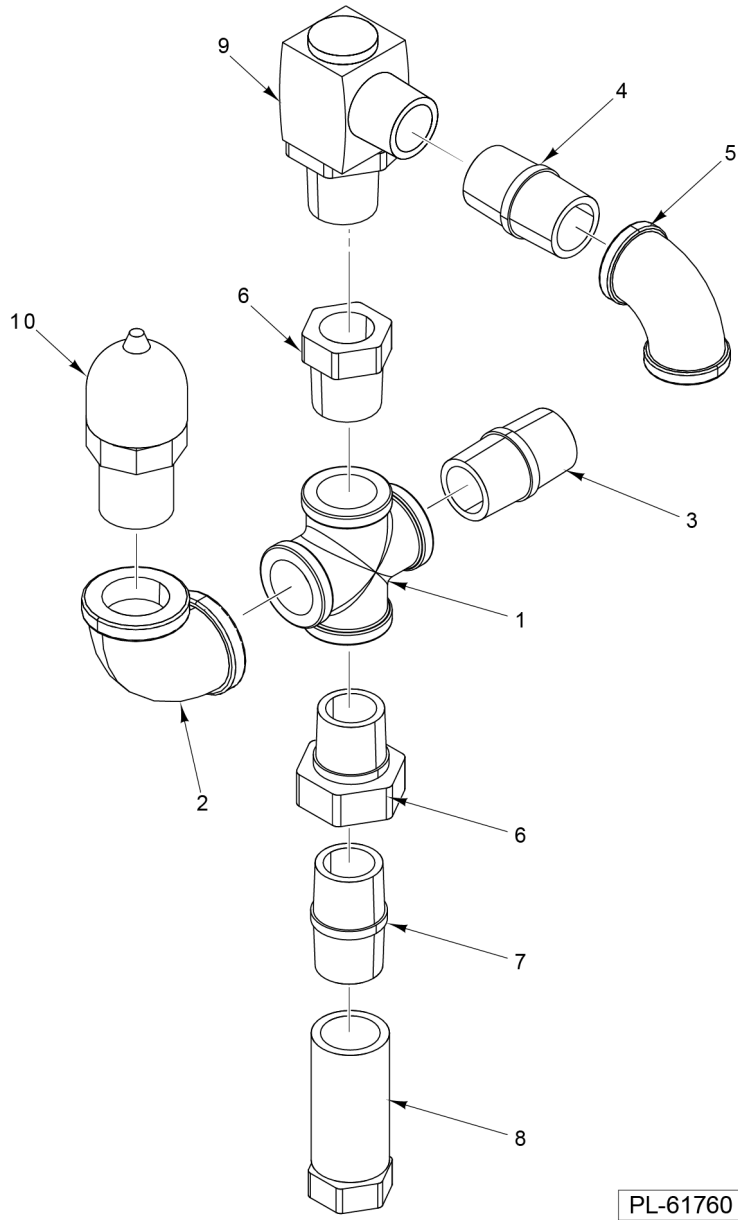
ILLUS.	PART NO.	NAME OF PART	AMT.
PL-61762			
1	00-880030	Low Water Cut-off (Complete).....	1
2	00-841826	Insulation.....	1
3	FP-035-46	Pipe 3/8 x 1 Lg. TBE.....	1
4	FP-077-99	Tee 3/8 x 3/8 x 1/4.....	1
5	FP-047-23	Connector - Male 1/4 Tube to 1/4 Pipe.....	1
6	00-833220	Thermostat (Electric Control).....	1



FILL ASSEMBLY

FILL ASSEMBLY

ILLUS.	PART NO.	NAME OF PART	AMT.
PL-61761			
1	FP-040-42	Pipe 1/2 x 1-1/8 TBE (Brass).....	1
2	00-833648-00002	Valve - Swing Check 1/2" (Brass).....	1
3	FP-015-17	Elbow - Pipe 1/2 x 90 Deg. (Brass).....	1
4	FP-054-08	Pipe 1/2 x 1-1/8 TBE (SST).....	1
5	00-858008-00001	Valve - Ball 1/2 In.....	1
6	00-858635-00001	Fill Tube Assy.....	1
7	00-833493	Gauge Glass Assy. (Complete).....	1



PL-61760

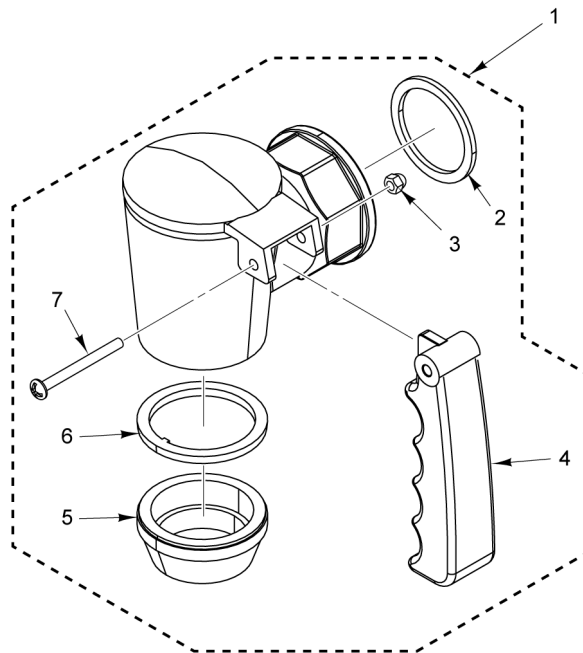
PRESSURE RELIEF VALVE

PRESSURE RELIEF VALVE

ILLUS.	PART NO.	NAME OF PART	AMT.
PL-61760			
1	FP-083-92	Cross 3/4".....	1
2	FP-015-24	Elbow - Pipe 3/4 x 90 Deg. (Brass).....	1
3	FP-041-50	Pipe 3/4 x 1-3/8 TBE (Brass).....	1
4	FP-040-42	Pipe 1/2 x 1-1/8 TBE (Brass).....	1
5	FP-015-16	Elbow - Pipe 1/2 x 90 Deg. (Brass).....	1
6	FP-027-22	Bushing - Pipe 3/4 to 1/2 (Brass).....	2
7	FP-054-08	Pipe 1/2 x 1-1/8 TBE (SST).....	1
8	00-833238	Vacuum Breaking Check Valve, 1/2".....	1
9	00-841496-00001	Pressure Relief Valve 1/2" (15#).....	1
10	00-833239	Air Vent 3/4".....	1

- | | | |
|---|-----------------|-------------------------|
| 8 | 00-856569-00002 | Plate - Valve Mount |
| 9 | 00-855830-00001 | Gasket - Draw-Off Valve |

PARTS NOT ILLUSTRATED

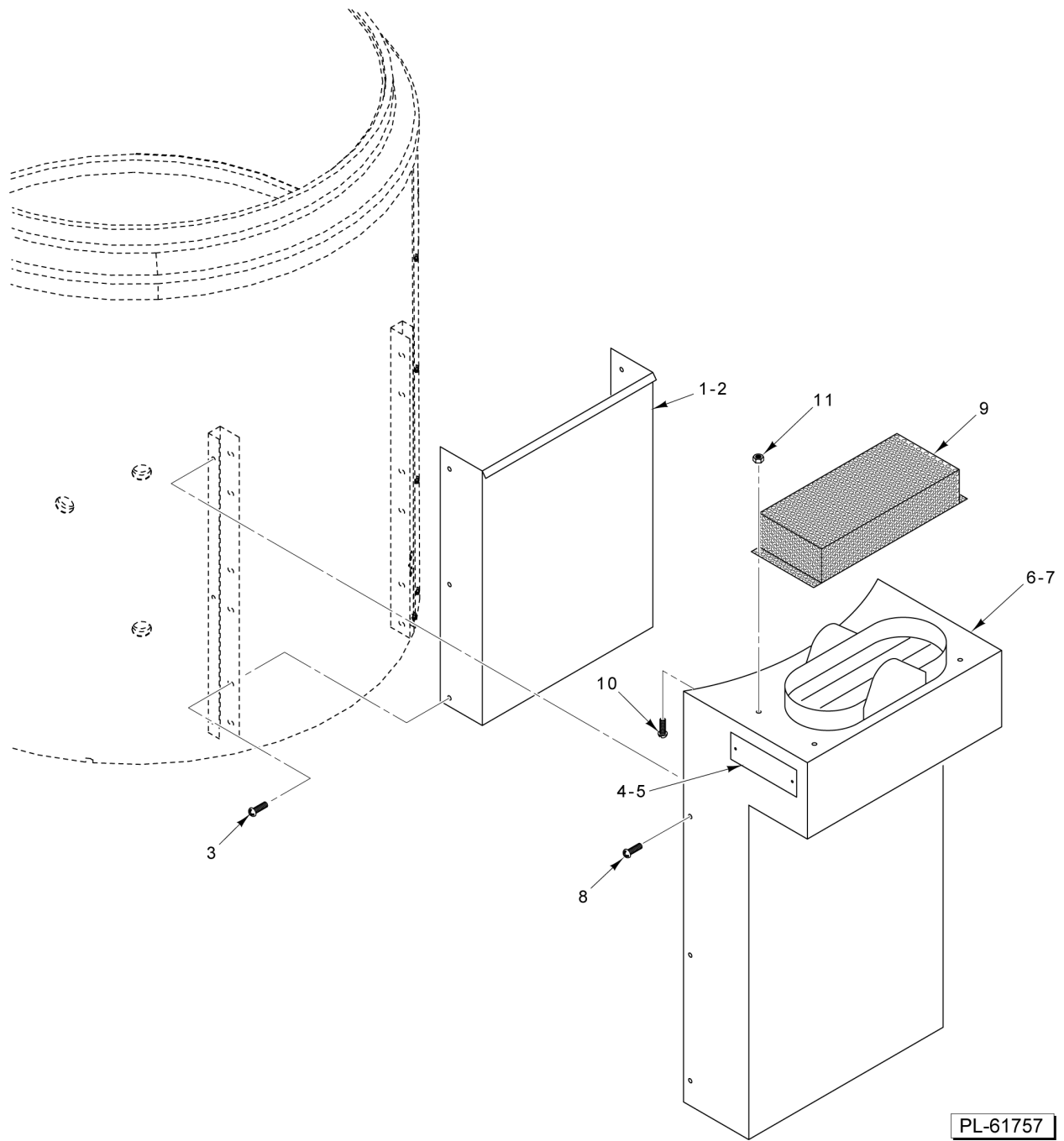


PL-61764

**PLUG VALVE
(2 INCH)**

**PLUG VALVE
(2 INCH)**

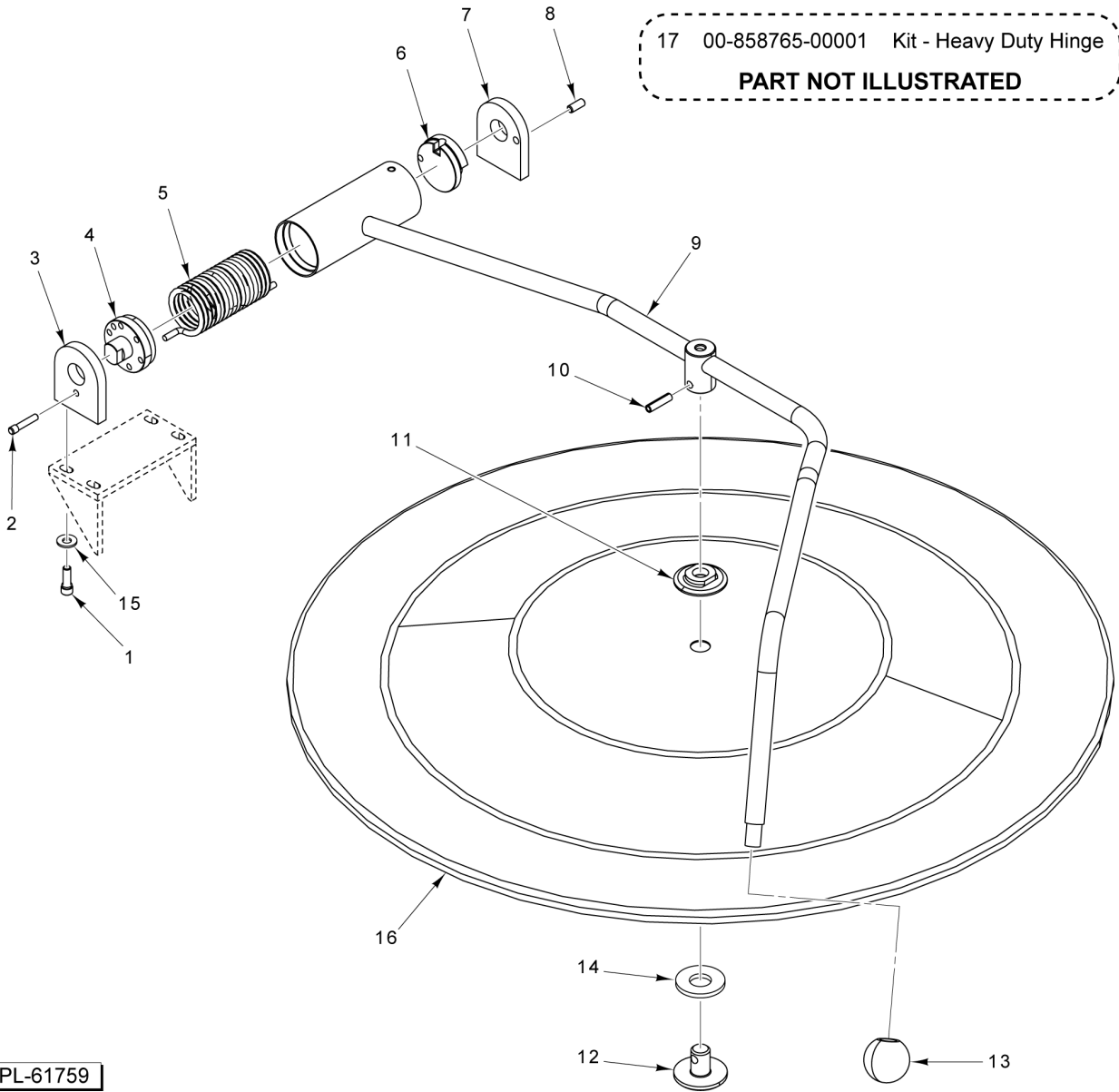
ILLUS.	PART NO.	NAME OF PART	AMT.
PL-61764			
1	00-858268-00001	Draw-Off Valve Assy. 2 In.....	1
2	00-858268-00009	Gasket.....	1
3	00-858268-00010	Nut, M6 (SST).....	1
4	00-858268-00006	Handle.....	1
5	00-858268-00003	Nut, Valve Plug.....	1
6	00-858268-00004	Washer.....	1
7	00-858268-00007	Screw M6 x 50.....	1
8	00-856569-00002	Plate - Valve Mount.....	1
9	00-855830-00001	Gasket - Draw-Off Valve.....	1



FLUE

FLUE

ILLUS.	PART NO.	NAME OF PART	AMT.
1	00-834037-00013	Duct - Flue (29 In.).....	1
2	00-834037-00015	Duct - Flue (36 In.).....	1
3	SD-008-18	Self-Tapping Screw 8-18 x 3/8 Phil. Bndg. Hd., Type B.....	6
4	00-836812	Plate - Warning.....	1
5	RS-030-09	Rivet.....	2
6	00-834042-00003	Shell - Outer Assy.....	1
7	00-834042-00005	Shell - Outer Assy.....	1
8	SC-053-05	Mach. Screw 10-24 x 3/8 Slotted Truss Hd. (SST).....	6
9	00-358610	Cover - Flue.....	1
10	SC-121-34	Mach. Screw 10-24 x 1/2 (pin-in-hex) Button Hd.....	4
11	NS-011-18	Nut 10-24 Hex (SST).....	4



PL-61759

LID AND HANDLE ASSEMBLY

LID AND HANDLE ASSEMBLY

ILLUS.	PART NO.	NAME OF PART	AMT.
PL-61759			
1	SC-110-98	Cap Screw 1/4-20 x 3/4 Hex Socket Hd. (SST).....	4
2	00-853284-00001	Pin - Lock.....	1
3	00-857777-00001	Plate - Hinge (LH).....	1
4	00-853292-00001	Disc - Tension Adjustment.....	1
5	00-853289-00001	Spring - Torsion.....	1
6	00-853293-00001	Disc - Rotary Stop.....	1
7	00-857779-00001	Plate - Hinge (Incls. Item 8).....	1
8	00-855221-00001	Pin - Stop.....	1
9	00-853279-00001	Cover Handle (36") (Spring Assist Cover).....	1
10	RP-004-31	Roll Pin 1/4 x 1.....	1
11	00-853568-00001	Nut - Kettle Cover.....	1
12	00-853567-00001	Rocker - Kettle Cover.....	1
13	00-853285-00001	Knob - Press On.....	1
14	OR-001-07	"O" Ring (Per Standard 016).....	1
15	WL-006-17	Lockwasher 1/4 Helical (SST).....	1
16	00-853281-00001	Cover w/ Condesate Ring.....	1
17	00-858765-00001	Kit - Heavy Duty Hinge.....	AR

