



CATALOG OF REPLACEMENT PARTS

C24ET-SERIES STEAMERS



6-PAN

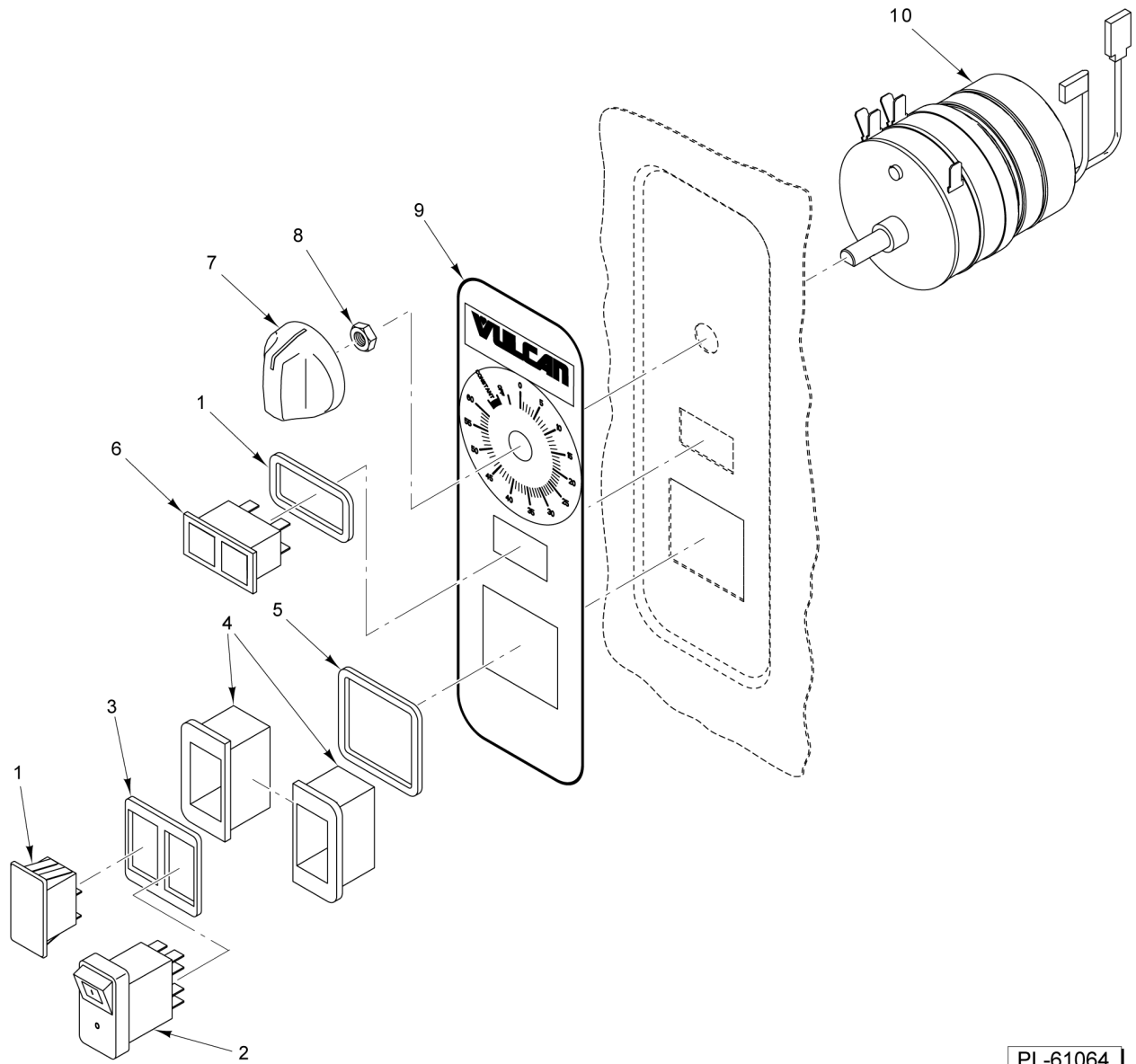
ML-152043	Basic 208/240 V.
ML-152044	Basic 480 V.
ML-152039	Pro 208/240 V.
ML-152040	Pro 480 V.
ML-152035	LWE 208/240 V.
ML-152036	LWE 480 V.

10-PAN

ML-152045	Basic 208/240 V.
ML-152046	Basic 480 V.
ML-152041	Pro 208/240 V.
ML-152042	Pro 480 V.
ML-152037	LWE 208/240 V.
ML-152038	LWE 480 V.

Table of Contents

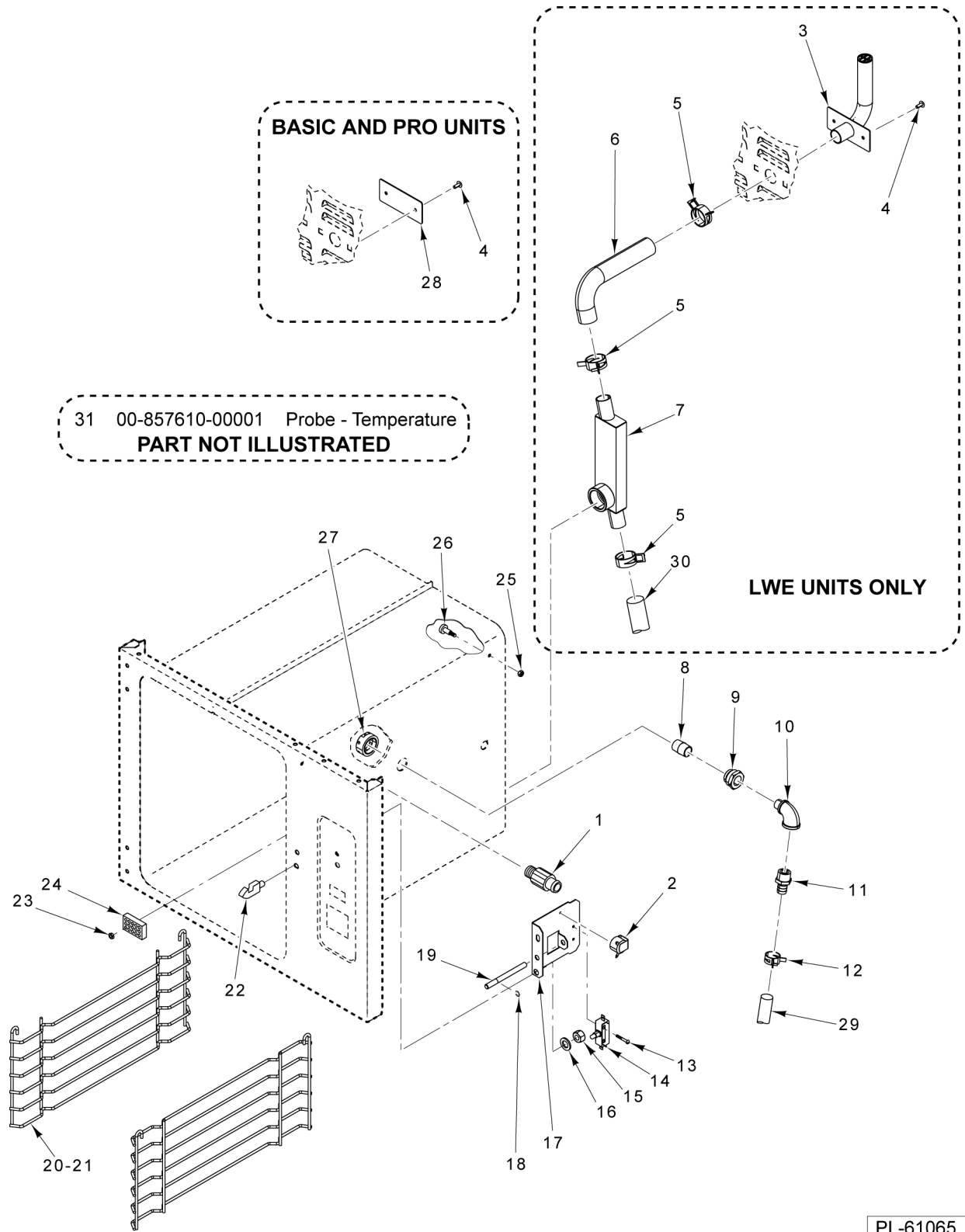
5	CONTROLS
7	COMPARTMENT
9	DOOR
11	ELECTRICAL COMPONENTS
13	ELECTRICAL COMPONENTS (SONIC SAFE)
15	GENERATOR HEATING ELEMENT
17	GENERATOR PLUMBING (LWE AND BASIC)
19	GENERATOR PLUMBING (PRO)
21	DRAIN ASSEMBLY
23	WATER MANIFOLD
25	PANELS



CONTROLS

CONTROLS

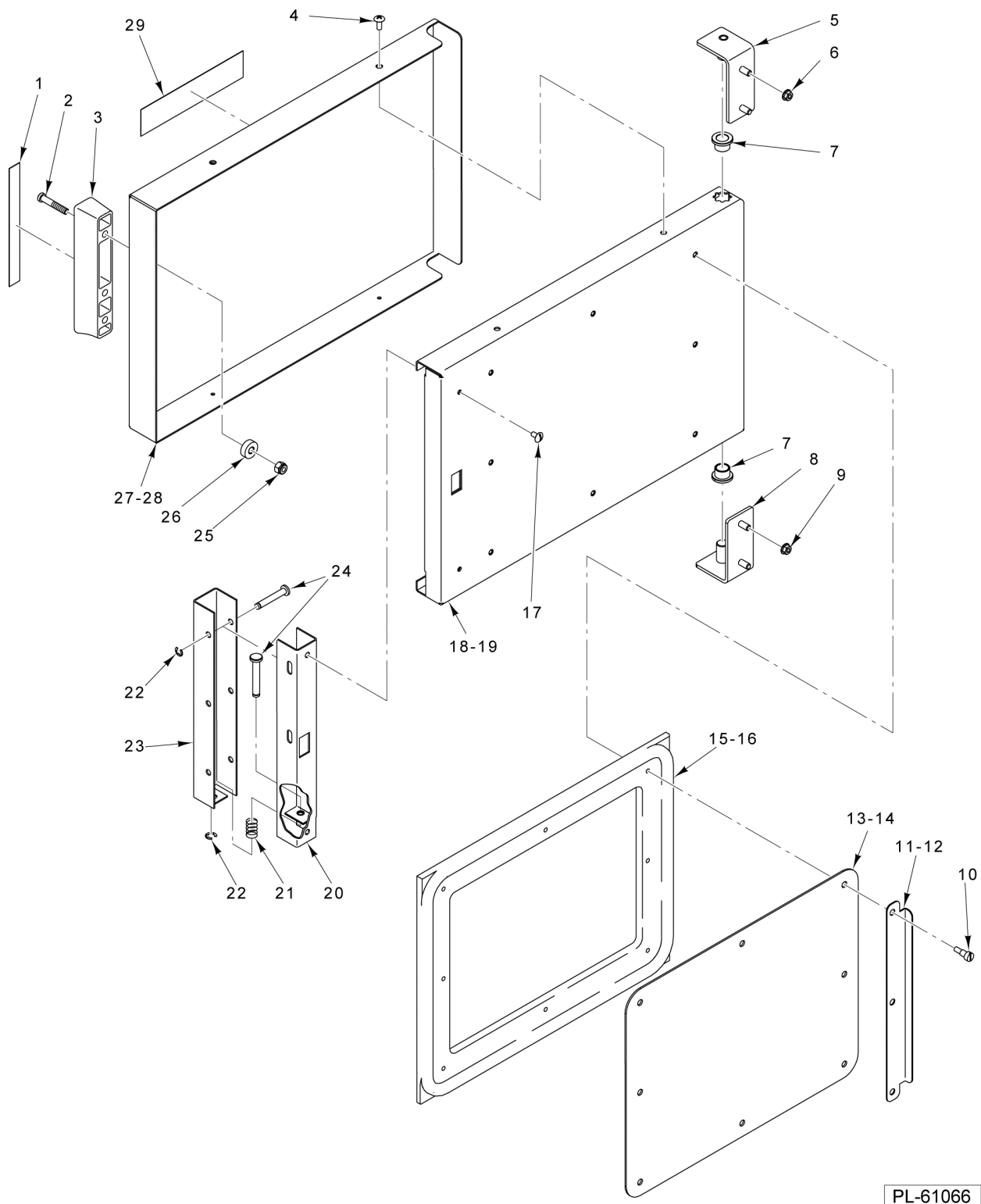
ILLUS.	PART NO.	NAME OF PART	AMT.
PL-61064			
1	00-856680-00001	Plug - Blank Assy. (Incls. Plug and Gasket).....	1
2	00-855677-00001	Switch - On/Off (Lighted).....	1
3	00-855795-00001	Gasket - Switch.....	1
4	00-855794-00001	Bezel - Switch.....	2
5	00-855796-00001	Gasket - Bezel.....	1
6	00-855695-00001	Light - Indicating (125 VAC).....	1
7	00-856773-00001	Knob - Timer.....	1
8	00-854693-00001	Shaft - Rotary Seal.....	1
9	00-856771-00002	Overlay - Control (Vulcan).....	1
10	00-913102-0176A	Kit - Timer (Incls Items 7 and 8).....	1



COMPARTMENT

ILLUS. PL-61065	PART NO.	NAME OF PART	AMT.
1	00-857625-00001	Valve - Check.....	.2
2	00-411499-00004	Buzzer (115 V.).....	.2
3	00-857586-00001	Vent (LWE Units).....	.1
4	SC-066-06	Mach. Screw 10-24 x 1/2 Phil. Truss Hd. (SST).....	.4
5	00-557847	Clamp - Hose (LWE Units).....	.6
6	00-858072-00001	Hose - Vent (Formed) (LWE Units).....	.2
7	00-858300-00001	Cavity - Exhaust (LWE Units).....	.2
8	FP-040-42	Pipe 1/2 x 1-1/8 TBE (Brass).....	.1
9	00-855394-00001	Adapter - Cabinet Steam Port.....	.2
10	FP-016-12	Elbow - Reducing 3/4 to 1/2.....	.2
11	FP-091-08	Fitting - Pipe 3/4 Hose to 3/4 MPT (Brass).....	.2
12	00-557846	Clamp - Hose (29mm).....	AR
13	SC-021-12	Mach. Screw 6-32 x 1 Slotted Rd. Hd. (SST).....	AR
14	00-842049	Switch - Door.....	.2
15	NS-015-13	Nut 3/8-16 Hex (SST).....	.2
16	WL-006-27	Lockwasher 3/8 Helical (SST).....	.2
17	00-855308-00001	Actuator Bracket - Door.....	.2
18	RR-011-26	Ring - Retaining.....	.4
19	00-855307-00001	Actuator Rod - Door.....	.2
20	00-855355-00001	Rack - Wire (3-Pan).....	.4
21	00-855355-00002	Rack - Wire (5-Pan).....	.4
22	00-855586-00001	Bullet - Door.....	.2
23	NS-011-18	Nut 10-24 Hex (SST).....	.2
24	00-855753-00001	Cover - Drain.....	.2
25	NS-049-09	Nut Assy. 10-32 (SST).....	.8
26	00-857791-00001	Bolt - Rack Hanger.....	.8
27	00-856753-00001	Port - Steam.....	.1
28	00-858465-00001	Plate - Cover (Basic and Pro Units).....	.1
29	00-913135-00042	Hose - White Steam Line (36 In.) (To Generator).....	AR
30	00-557477	Hose (4 Ft.) (To Drain).....	AR
31	00-857610-00001	Probe - Temperature (LWE Units).....	.1
*32	00-557760	Shim (0.005 Thk.) (SST).....	AR
*33	00-557761	Shim (0.010 Thk.) (SST).....	AR
*34	00-557691	Shim Door Bullet- .024 Thick.....	AR

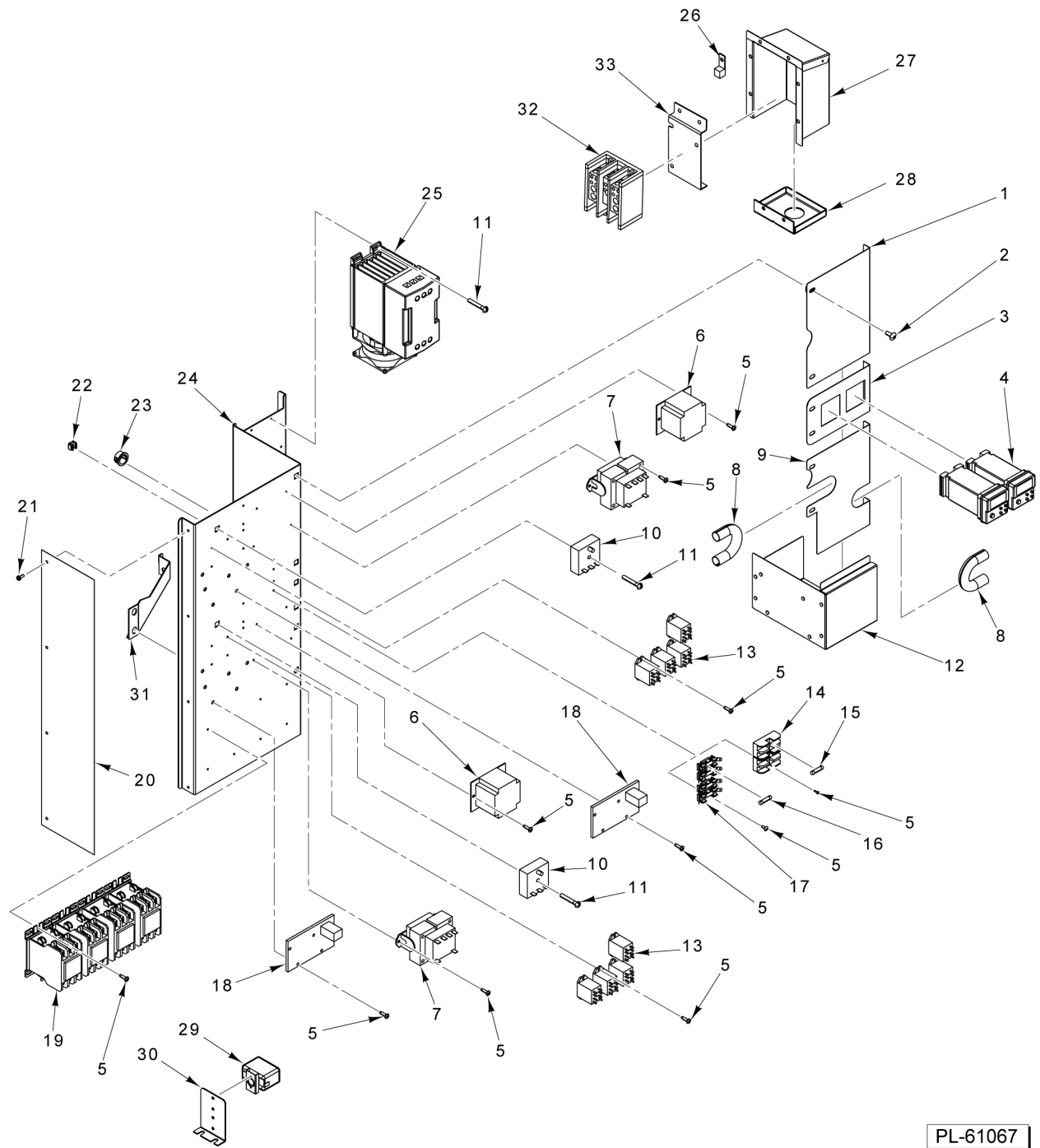
* Not Shown in Graphic



DOOR

DOOR

ILLUS.	PART NO.	NAME OF PART	AMT.
PL-61066			
1	00-855288-00001	Face Plate - Door Handle.....	1
2	SC-120-70	Cap Screw 1/4-20 x 1-5/8 Hex Socket Hd.....	2
3	00-855287-00001	Handle - Door.....	1
4	SC-066-20	Mach. Screw 10-32 x 1/2 Phil. Truss Hd. (SST).....	4
5	00-855521-00001	Hinge Assy. - Door (Top).....	1
6	NS-038-04	Lock Nut 1/4-20 Flange.....	2
7	00-817643	Bearing - Flanged.....	2
8	00-855521-00002	Hinge Assy. - Door (Bottom).....	1
9	NS-038-04	Lock Nut 1/4-20 Flange.....	2
10	00-857791-00001	Bolt - Rack Hanger.....	8
11	00-855714-00001	Gasket - Door Guard (3-Pan).....	1
12	00-855714-00002	Gasket - Door Guard (5-Pan).....	1
13	00-855285-00001	Gasket Retainer - Door (3-Pan).....	1
14	00-855285-00002	Gasket Retainer - Door (5-Pan).....	1
15	00-857085-00001	Kit - Door Gasket (3 Pan) (3-Pan).....	1
16	00-857085-00002	Kit - Door Gasket (5 Pan) (5-Pan).....	1
17	SC-053-05	Mach. Screw 10-24 x 3/8 Slotted Truss Hd. (SST).....	2
18	00-855582-00001	Bracket Weldment - Door (3-Pan).....	1
19	00-855582-00002	Bracket Weldment - Door (5-Pan).....	1
20	00-855584-00001	Door Latch - Bracket.....	1
21	00-855298-00001	Latch Spring - Door.....	1
22	RR-006-22	Retaining Ring 1/4 In. (SST).....	4
23	00-855585-00001	Latch Actuator - Door.....	1
24	00-855590-00002	Pin - Clevis 1.525 In. Lg.....	4
25	NS-048-63	Lock Nut 1/4-20 Hex (SST).....	2
26	00-855290-00001	Bearing - Door Handle.....	2
27	00-855580-00001	Frame - Door (3-Pan).....	1
28	00-855580-00002	Frame - Door (5-Pan).....	1
29	00-957916-00005	Nameplate - Vulcan.....	1

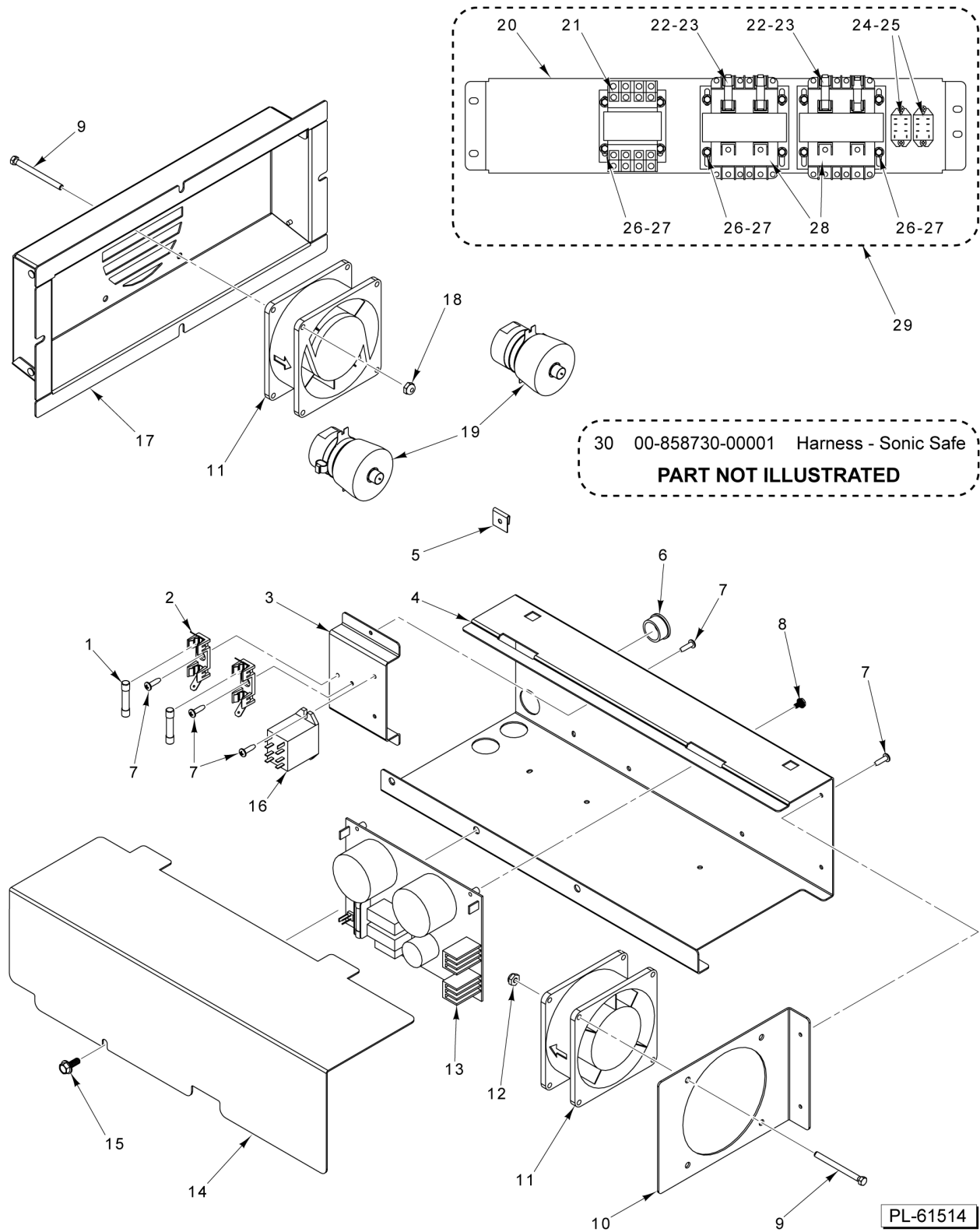


PL-61067

ELECTRICAL COMPONENTS

ELECTRICAL COMPONENTS

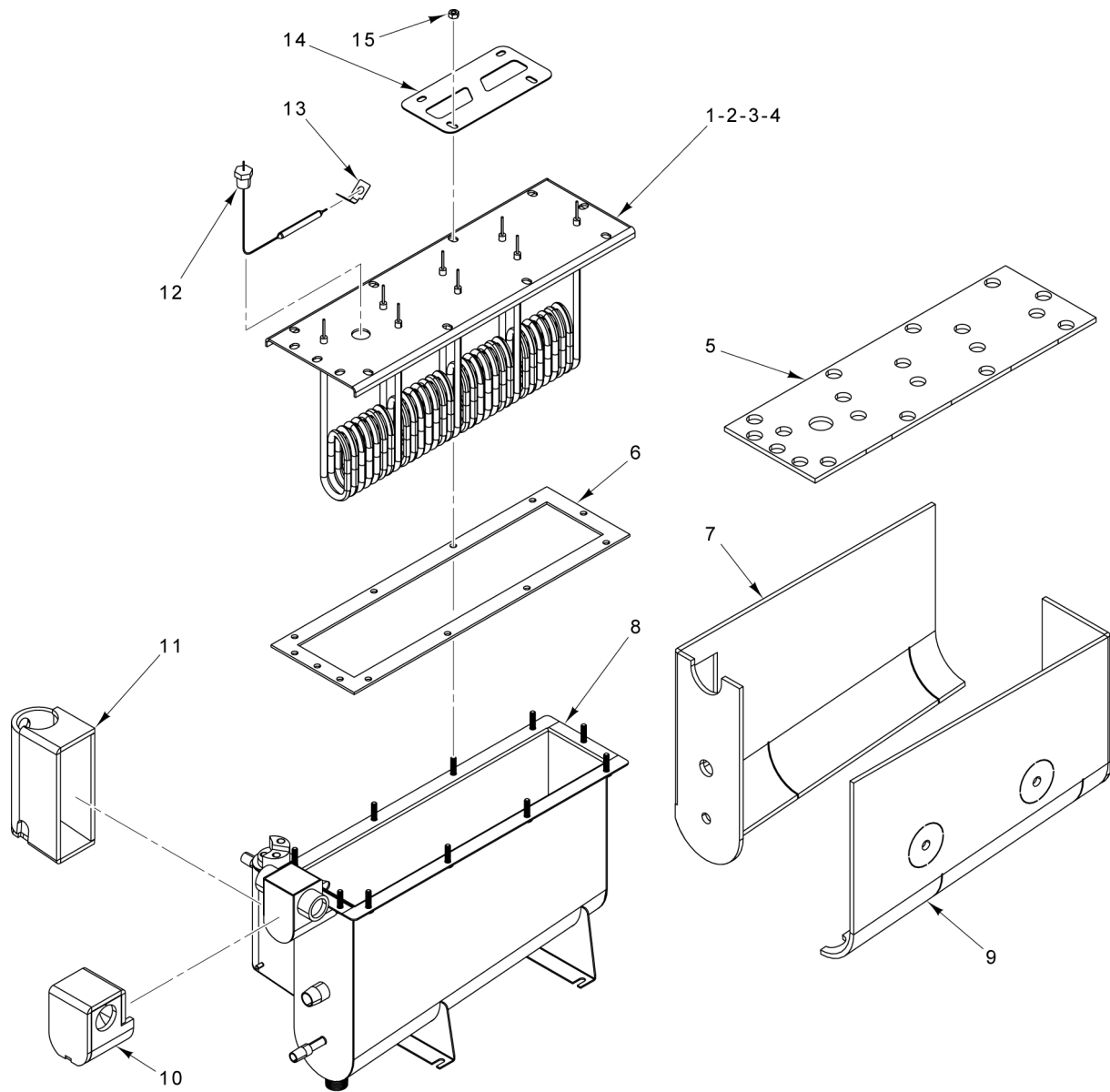
ILLUS.	PART NO.	NAME OF PART	AMT.
PL-61067			
1	00-858495-00001	Cover - Top Channel (LWE).....	1
2	SC-066-06	Mach. Screw 10-24 x 1/2 Phil. Truss Hd. (SST) (LWE).....	6
3	00-858492-00001	Bracket - Controller Mount (LWE).....	1
4	00-858053-00001	Controller - PM (EZ-ZONE) (LWE).....	2
5	SD-019-29	Self-Tapping Screw 6-20 x 1/2 Phil. Pan Hd., Type B.....	AR
6	00-411500-00012	Transformer (120 VAC, 24 V., 40 VA).....	2
7	00-294500-00033	Transformer (60 VA, 50/60 Hz.).....	2
8	00-557757-00002	Tubing (LWE).....	2
9	00-858494-00001	Cover - Bottom Channel.....	1
10	00-855661-00001	Relay - Time Delay.....	2
11	SC-021-96	Mach. Screw 10-24 x 1-1/4 Slotted Rd. Hd. (SST).....	6
12	00-858493-00001	Box - Lower (LWE).....	1
13	00-856699-00001	Switch - Relay.....	8
14	00-855028-00001	Block - Fuse (277 V.).....	4
15	00-423986-00001	Fuse (KTK-R-3) (277 V.).....	4
16	FE-024-94	Fuse - Time Delay (4.0 Amp.) (208/040 V.).....	4
17	00-856677-00001	Block - Fuse (20 Amp., 300 V.) (208/040 V.).....	4
18	00-844069-00001	Control - Low Water.....	2
19	00-881654	Contactora (40 Amp, 3 Pole).....	4
20	00-858361-00001	Mylar Shield.....	1
21	SD-034-21	Self-Tapping Screw 10-16 x 1/2 Slotted. Hex Washer Hd., Type AB.....	AR
22	NS-049-01	Panel Nut 10-24.....	8
23	FE-016-02	Bushing - Snap (LWE).....	1
24	00-858491-00001	Controls - Main Panel.....	1
25	00-858052-00001	Contactora (LWE).....	2
26	FE-023-88	Lug - Ground.....	1
27	00-858456-00001	Cover - Terminal Block.....	1
28	00-856528-00001	Bracket - Power Supply.....	1
29	00-856756-00001	Probe - High Limit Temperature.....	2
30	00-858370-00001	Bracket - Mounting (High Limit).....	1
31	00-858367-00001	Bracket - Electrical Panel.....	1
32	00-119031	Block - Terminal.....	1
33	00-858567-00001	Bracket - Terminal Block.....	1



**ELECTRICAL COMPONENTS
 (SONIC SAFE)**

ELECTRICAL COMPONENTS (SONIC SAFE)

ILLUS. PL-61514	PART NO.	NAME OF PART	AMT.
1	FE-024-83	Fuse.....	4
2	00-856677-00001	Block - Fuse (20 Amp., 300 V.).....	4
3	00-858576-00007	Bracket.....	1
4	00-858576-00003	Control Box.....	1
5	00-854766-00001	Nut - Speed 3 Type.....	3
6	FE-016-32	Bushing - Snap (Electrical).....	2
7	SD-019-29	Self-Tapping Screw 6-20 x 1/2 Phil. Pan Hd., Type B.....	AR
8	SC-132-84	Screw - Hex Serrated 6/32 x 1/4.....	4
9	SC-132-80	Screw - Cap, Hex, 8-32 X 2.....	4
10	00-858576-00004	Fan - Mounting Bracket.....	1
11	00-858733-00001	Fan - Cooling.....	1
12	NS-047-98	Lock Nut 8-32 Hex.....	4
13	00-858576-00005	Circuit Board.....	2
14	00-858576-00006	Cover - Control Box.....	1
15	SC-132-38	Screw - Hex Serrated 10/24 x 1/2.....	1
16	00-416535-00007	Relay - Heating (200-240 V.).....	2
17	00-858591-00001	Cover - Fan, Rear Panel.....	1
18	NS-047-98	Lock Nut 8-32 Hex.....	4
19	00-858459-00002	Transducer, Ultrasonic.....	2
20	00-858744-00002	Bracket - Transformer.....	1
21	00-858741-00001	Transformer (480 V.) (150 VA).....	1
22	00-858745-00001	Holder - Fuse.....	8
23	FE-026-97	Fuse (1.5 Amp.) (480 V.).....	4
24	00-856699-00001	Switch - Relay.....	2
25	SD-019-29	Self-Tapping Screw 6-20 x 1/2 Phil. Pan Hd., Type B.....	9
26	SC-132-38	Screw - Hex Serrated 10/24 x 1/2.....	AR
27	NS-038-13	Lock Nut 10-24 Hex.....	AR
28	00-858740-00001	Transformer (480 V.) (50 VA).....	2
29	00-858744-00001	Transformer Assy. (Incls. Items 20 thru 28).....	1
30	00-858730-00001	Harness - Wire (480 V.).....	1

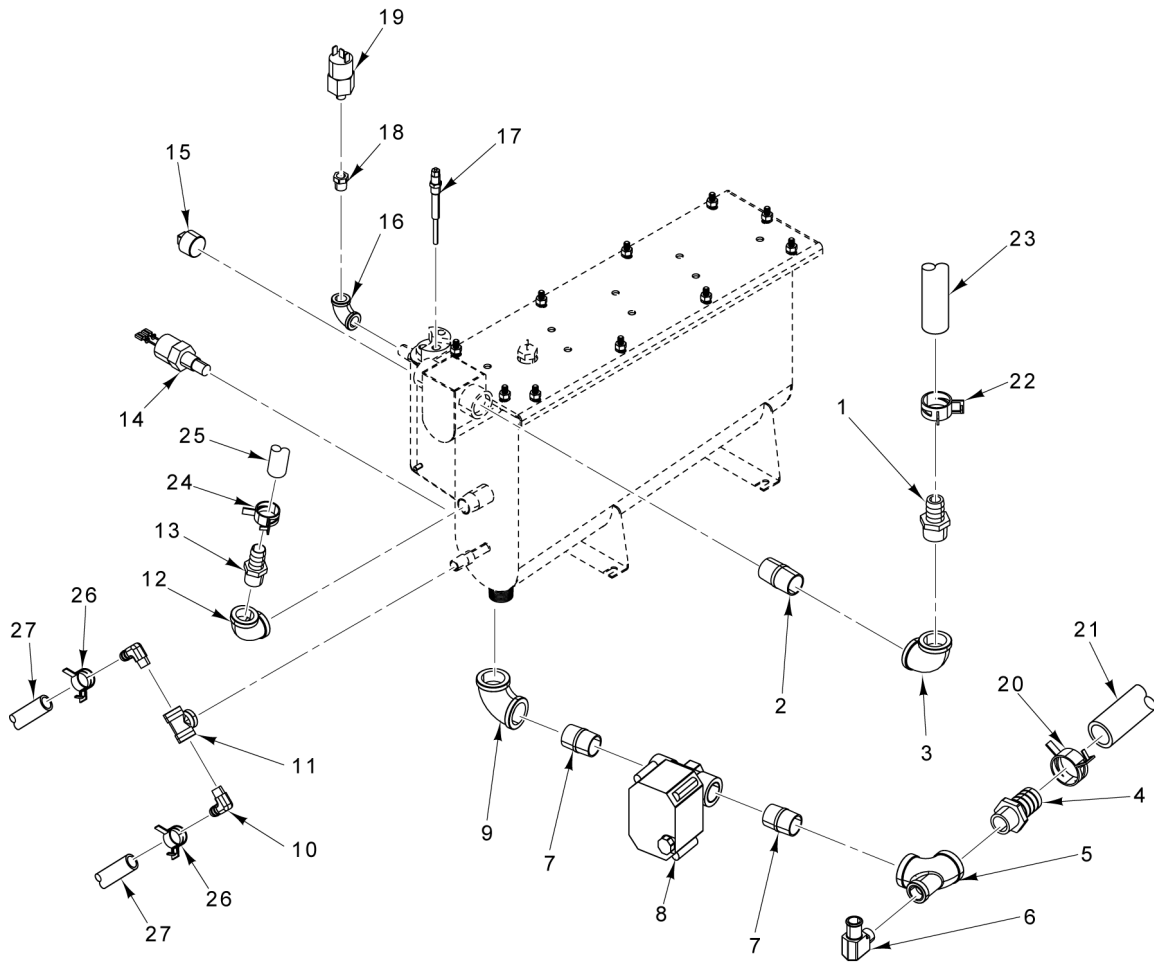


PL-61100

GENERATOR HEATING ELEMENT

GENERATOR HEATING ELEMENT

ILLUS.	PART NO.	NAME OF PART	AMT.
PL-61100			
1	00-858460-00001	Element - Heating (208/240 V., 15 kW).....	2
2	00-858460-00002	Element - Heating (208/240 V., 8.5 kW).....	2
3	00-858460-00003	Element - Heating (277 V., 15 kW).....	2
4	00-858460-00004	Element - Heating (277 V., 8.5 kW).....	2
5	00-858483-00001	Insulation - Generator (Top).....	2
6	00-858473-00001	Gasket - Generator.....	2
7	00-858391-00001	Insulation.....	2
8	00-858202-00002	Generator.....	2
9	00-858391-00002	Insulation.....	2
10	00-858391-00004	Insulation.....	2
11	00-858391-00003	Insulation.....	2
12	00-913102-00404	Kit - High Limit Probe (Includes Clip).....	2
13	00-858017-00001	Bracket - Mounting (Bulb).....	2
14	00-858371-00001	Bracket - Generator.....	1
15	NS-014-01	Nut 1/4-20 Hex (Brass).....	AR



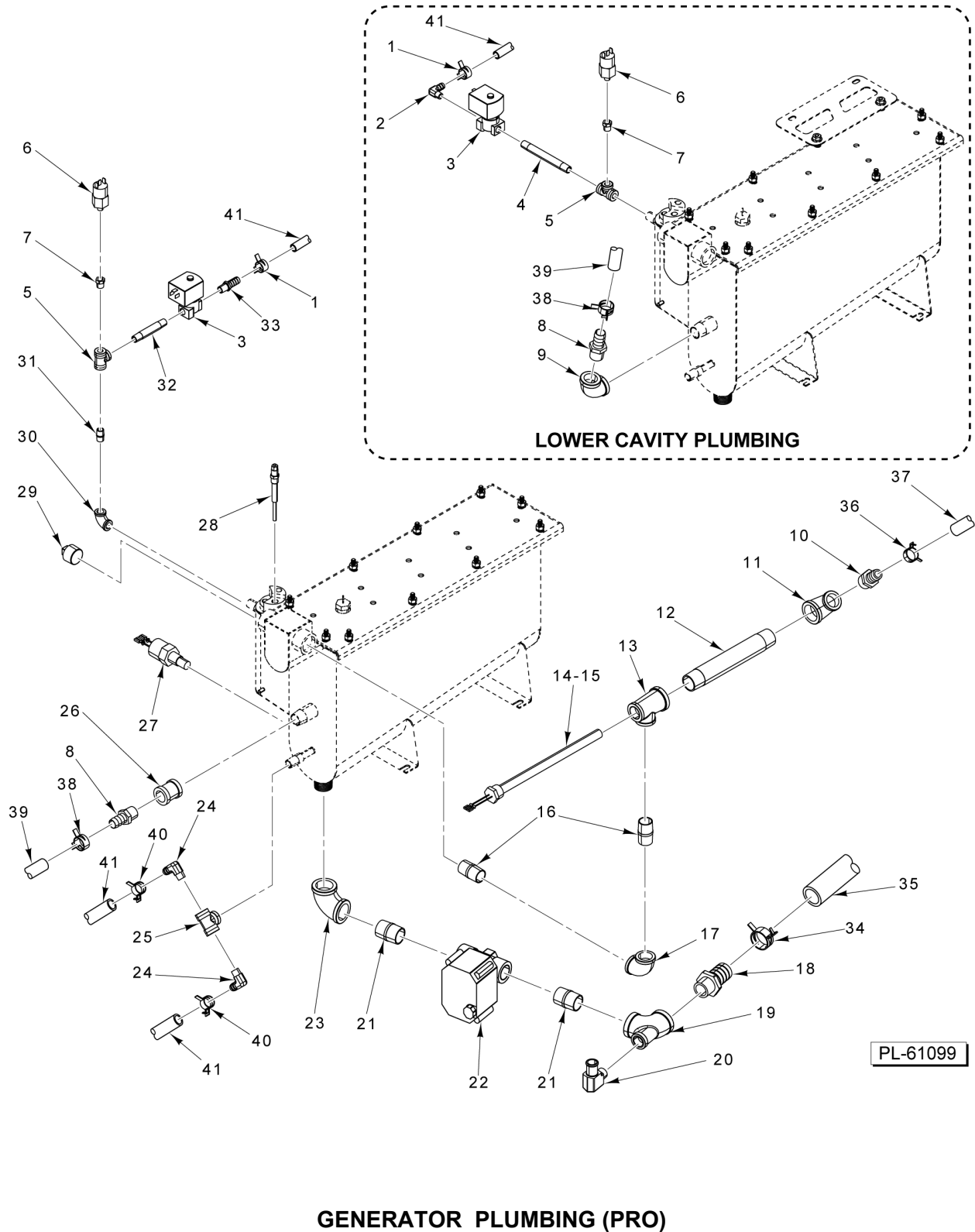
PL-61068

**GENERATOR PLUMBING
(LWE AND BASIC)**

**GENERATOR PLUMBING
(LWE AND BASIC)**

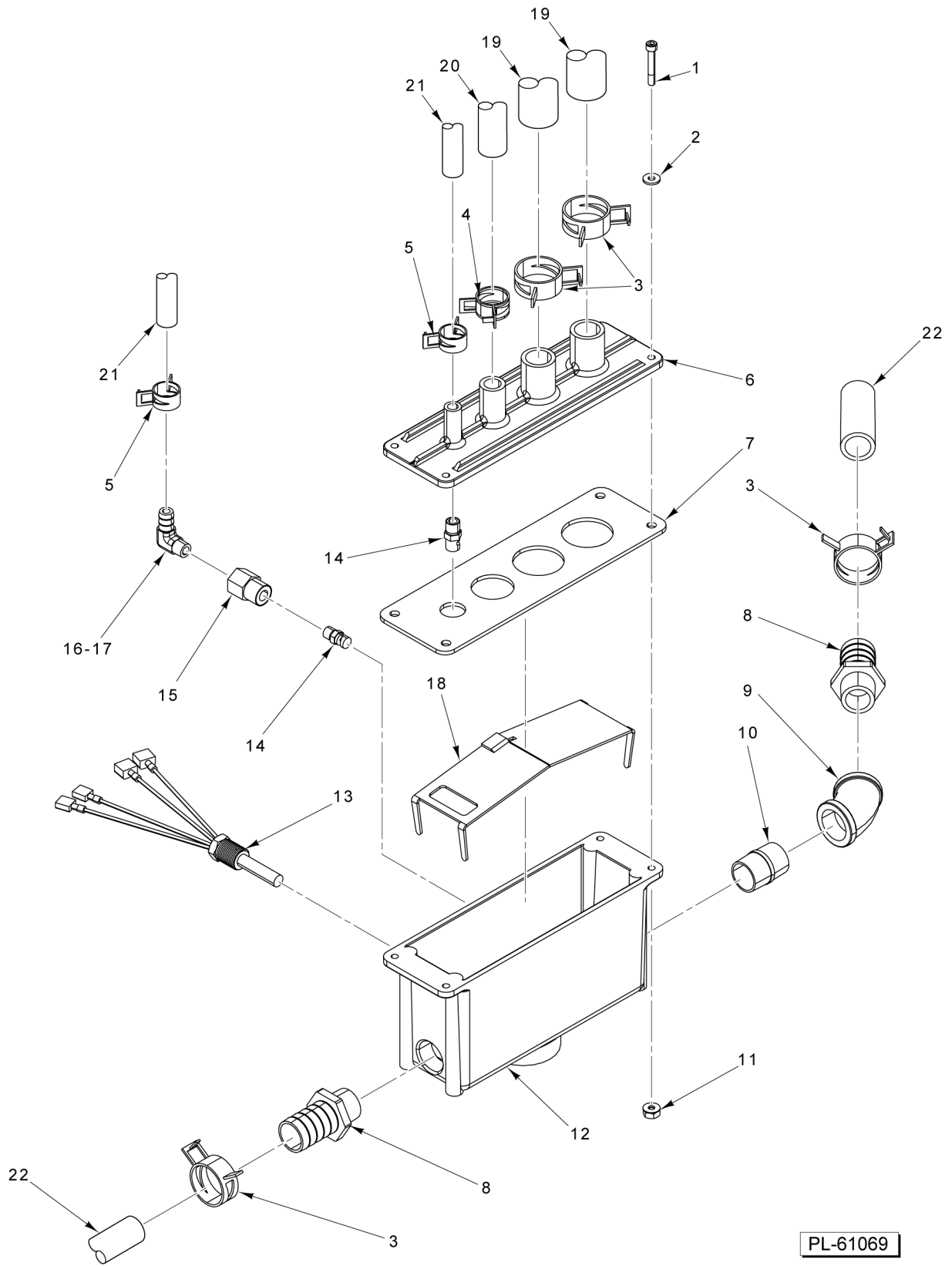
ILLUS. PL-61068	PART NO.	NAME OF PART	AMT.
1	FP-091-08	Fitting - Pipe 3/4 Hose to 3/4 MPT (Brass).....	1
2	FP-041-53	Pipe 3/4 x 1-3/4 TBE (Brass).....	2
3	FP-015-23	Elbow 3/4 x 90 Deg. (Brass).....	2
4	FP-090-51	Fitting - Hose.....	2
5	FP-083-89	Tee 3/4 x 3/8 x 3/4 Reducing.....	2
6	FP-090-56	Fitting - Hose.....	2
7	FP-041-50	Pipe 3/4 x 1-3/8 TBE (Brass).....	2
8	00-858461-00001	Valve - Drain.....	2
9	FP-015-23	Elbow 3/4 x 90 Deg. (Brass).....	2
10	FP-090-91	Fitting - Hose 1/2 Hose to 1/4 NPT (Brass).....	4
11	FP-019-08	Tee - Pipe (Brass).....	2
12	FP-015-16	Elbow - Pipe 1/2 x 90 Deg. (Brass).....	2
13	FP-087-39	Fitting - Hose 5/8 Hose to 1/2 NPT (Brass).....	2
14	00-856768-00001	Probe - Hold Temperature.....	2
15	FP-028-19	Pipe Plug 3/4 Sq. Hd. (Brass).....	2
16	FP-015-05	Elbow - Pipe 1/4 x 90 Deg. (Brass).....	2
17	00-857046-00001	Probe - Water Level.....	6
18	FP-027-02	Bushing - Pipe 1/4 to 1/8.....	2
19	00-854471	Switch - Pressure (5 PSI).....	2
20	00-557847	Clamp - Hose.....	1
21	00-557477	Hose (4 Ft.) (To Drain).....	AR
22	00-557846	Clamp - Hose (29mm).....	1
23	00-913135-00042	Hose - White Steam Line (36 In.) (To Compartment).....	AR
24	00-557845	Clamp - Hose (24mm).....	1
25	00-557475	Hose 5/8 ID x 0.955 OD (1.66 Ft.) (Blue) (From Delime Port).....	AR
26	00-557970	Clamp - Hose (20mm).....	2
27	00-557681	Hose - Clear Braided (From Manifold).....	AR
*28	00-858202-00001	Generator Without Transducer Studs.....	1
*29	00-858202-00002	Generator With Transducer Studs.....	1

* Not Shown in Art



GENERATOR PLUMBING (PRO)

ILLUS. PL-61099	PART NO.	NAME OF PART	AMT.
1	00-557970	Clamp - Hose (20mm).....	1
2	FP-090-91	Fitting - Hose 1/2 Hose to 1/4 NPT (Brass).....	2
3	00-857021-00001	Valve - Solenoid 1/4 NPT (9/32 Orifice).....	2
4	FP-092-28	Pipe - 1/4 x 4 1/2 In. NPT.....	1
5	FP-019-08	Tee - Pipe (Brass).....	2
6	00-854471	Switch - Pressure (5 PSI).....	2
7	FP-027-02	Bushing - Pipe 1/4 to 1/8.....	2
8	FP-087-39	Fitting - Hose 5/8 Hose to 1/2 NPT (Brass).....	2
9	FP-015-16	Elbow - Pipe 1/2 x 90 Deg. (Brass).....	1
10	FP-091-08	Fitting - Pipe 3/4 Hose to 3/4 MPT (Brass).....	2
11	FP-016-18	Elbow-Reducing 1 x 3/4.....	2
12	FP-090-49	Pipe 1 x 8 (Brass).....	2
13	FP-019-40	Tee - Pipe 1 x 3/4 x 3/4 (Brass).....	2
14	00-856709-00001	Heater - Super Heater (208/240 V.).....	2
15	00-856709-00002	Heater - Super Heater (480 V.).....	2
16	FP-041-54	Pipe 3/4 x 2 (Brass).....	2
17	FP-015-23	Elbow 3/4 x 90 Deg. (Brass).....	2
18	FP-090-51	Fitting - Hose.....	2
19	FP-083-89	Tee 3/4 x 3/8 x 3/4 Reducing.....	2
20	FP-090-56	Fitting - Hose.....	2
21	FP-041-50	Pipe 3/4 x 1-3/8 TBE (Brass).....	2
22	00-858461-00001	Valve - Drain.....	2
23	FP-015-23	Elbow 3/4 x 90 Deg. (Brass).....	2
24	FP-090-91	Fitting - Hose 1/2 Hose to 1/4 NPT (Brass).....	4
25	FP-019-08	Tee - Pipe (Brass).....	2
26	FP-023-19	Coupling - Pipe 1/2 (Brass).....	1
27	00-856768-00001	Probe - Hold Temperature.....	2
28	00-857046-00002	Probe - Water Level.....	6
29	FP-028-19	Pipe Plug 3/4 Sq. Hd. (Brass).....	2
30	FP-015-05	Elbow - Pipe 1/4 x 90 Deg. (Brass).....	2
31	FP-040-08	Pipe 1/4 x 7/8 TBE (Brass).....	1
32	FP-075-70	Pipe 1/4 x 3 TBE (Brass).....	1
33	FP-090-59	Fitting - Hose 1/2 ID x 1/4 NPT (Brass).....	1
34	00-557847	Clamp - Hose.....	1
35	00-557477	Hose (4 Ft.) (To Drain).....	AR
36	00-557846	Clamp - Hose (29mm).....	1
37	00-913135-00042	Hose - White Steam Line (36 In.) (To Compartment).....	AR
38	00-557845	Clamp - Hose (24mm).....	2
39	00-557475	Hose 5/8 ID x 0.955 OD (1.66 Ft.) (Blue) (From Delime Port).....	AR
40	00-557970	Clamp - Hose (20mm).....	2
41	00-557681	Hose - Condensate Box Line (14 In.) Hose - Clear Braided (From Manifold).....	AR

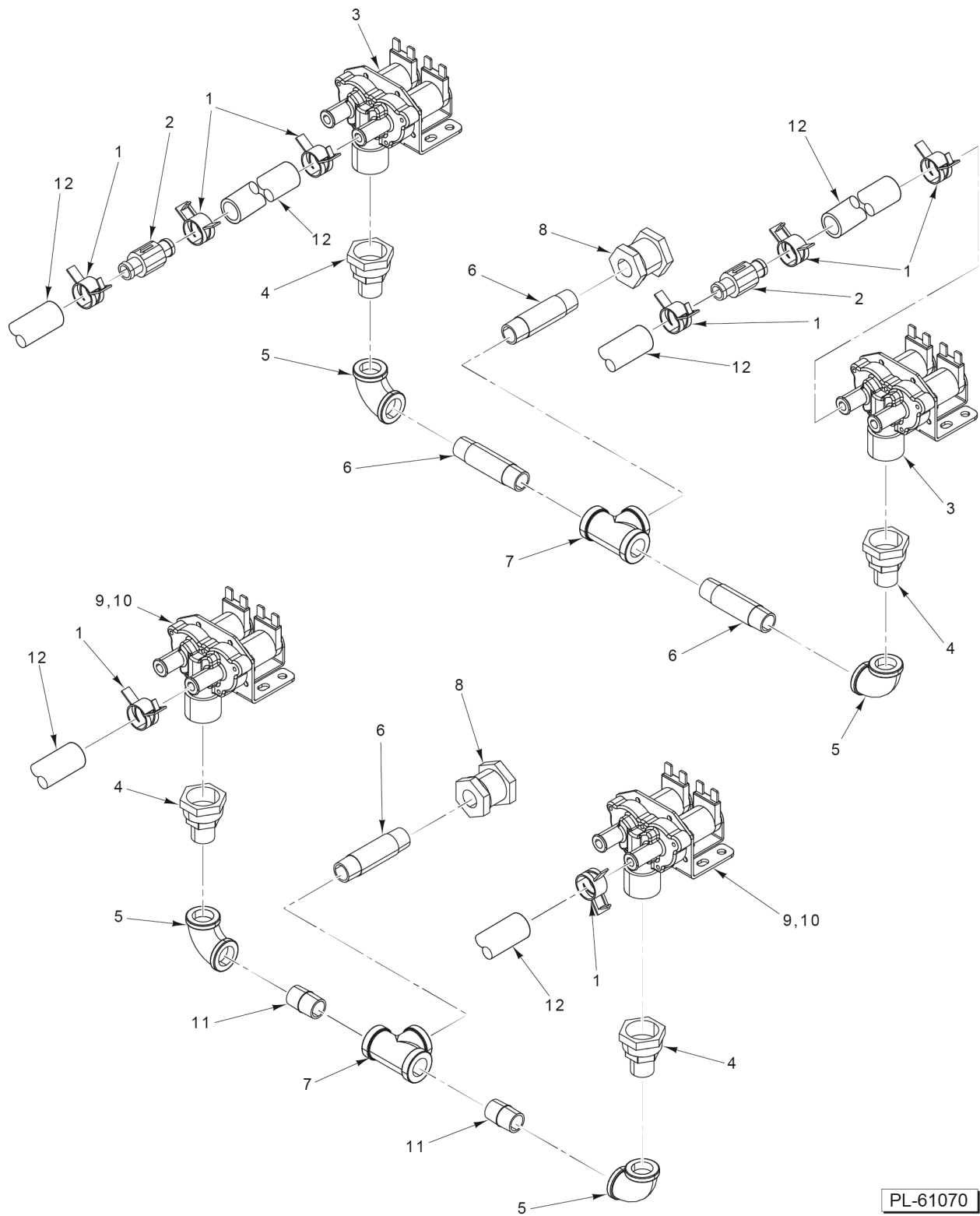


PL-61069

DRAIN ASSEMBLY

DRAIN ASSEMBLY

ILLUS.	PART NO.	NAME OF PART	AMT.
1	SC-119-74	Screw Cap 10-24 x 1 1/4.....	4
2	WS-019-20	Washer 0.219 x 0.375 x 0.031 (SST).....	4
3	00-557847	Clamp - Hose.....	4
4	00-557845	Clamp - Hose (24mm).....	2
5	00-557970	Clamp - Hose (20mm).....	6
6	00-857244-00001	Lid - Box Condensate.....	1
7	00-858497-00001	Gasket.....	1
8	FP-090-51	Fitting - Hose.....	2
9	FP-015-22	Elbow Pipe 3/4 x 45 Deg. (Brass).....	1
10	FP-041-50	Pipe 3/4 x 1-3/8 TBE (Brass).....	1
11	NS-048-23	Nut Assy. 10-24 KEPS (SST).....	4
12	00-857242-00001	Box - Condensate Kit (Incls. Items 1, 2, 6, 7, 11, & 14).....	1
13	00-858466-00001	Switch - Temperature.....	1
14	00-857626-00001	Nozzle - Spray (1/8 In.).....	2
15	00-858482-00001	Adaptor - Female 1/4-1/8 NPT (LWE).....	1
16	FP-090-91	Fitting - Hose 1/2 Hose to 1/4 NPT (Brass) (LWE).....	1
17	FP-090-56	Fitting - Hose (Basic/Pro).....	1
18	00-858490-00001	Diverter - Drain Box (LWE).....	1
19	00-557477	Hose (4 Ft.) (From Cavity).....	AR
20	00-557475	Hose 5/8 ID x 0.955 OD (1.66 Ft.) (Blue).....	AR
21	00-557681	Hose - Clear Braided (From Manifold).....	AR
22	00-557477	Hose (4 Ft.) (From Generators).....	AR

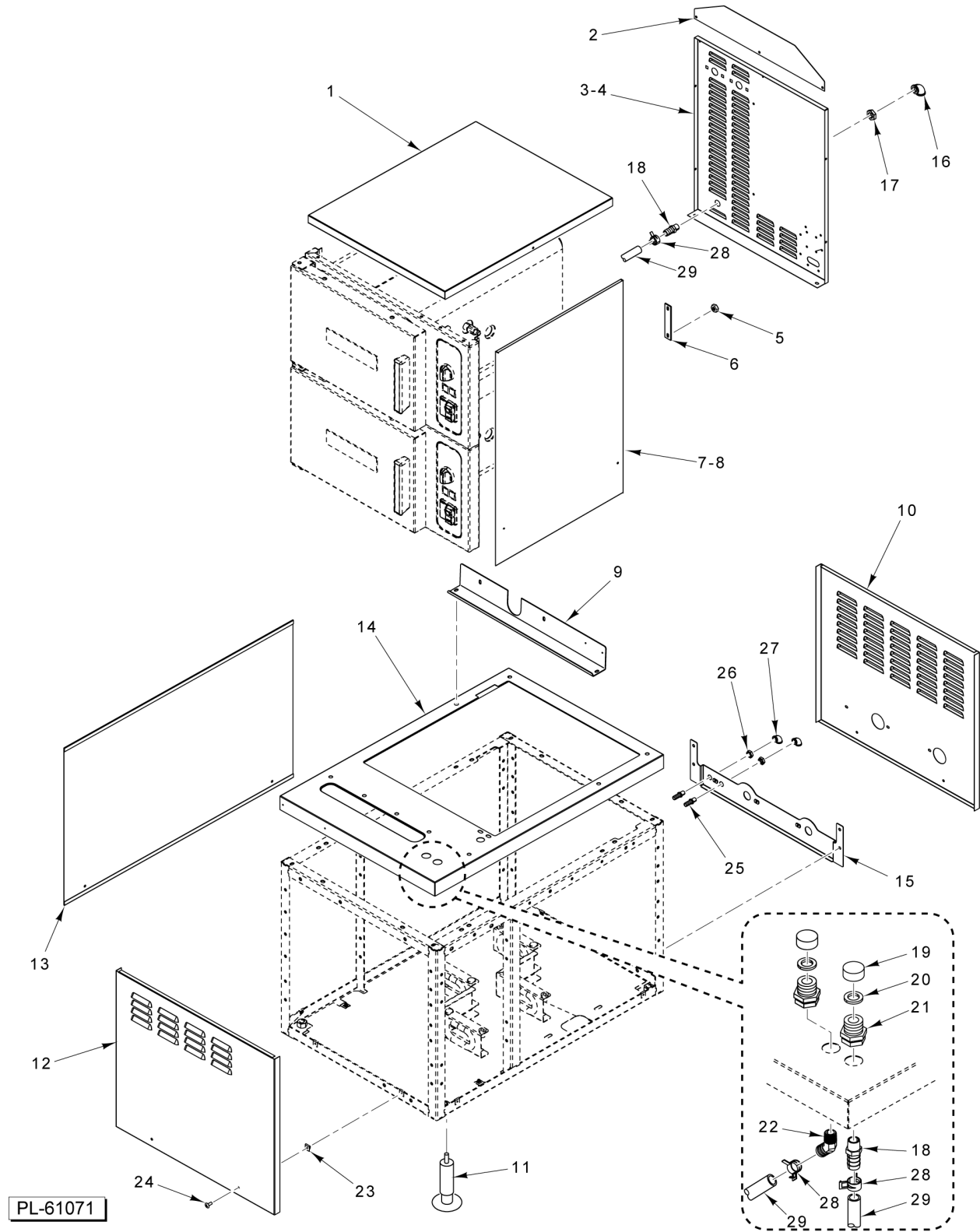


PL-61070

WATER MANIFOLD

WATER MANIFOLD

ILLUS. PL-61070	PART NO.	NAME OF PART	AMT.
1	00-557970	Clamp - Hose (20mm).....	AR
2	00-857179-00001	Valve - Check.....	4
3	00-856720-00003	Valve - Dual Water (0.50 GPM / 3.8 GPM) Generator Fast & Slow Fill (Fill).....	2
4	00-858462-00001	Adapter - Swivel.....	4
5	FP-015-09	Elbow 3/8 x 90 Deg.....	4
6	FP-040-24	Pipe 3/8 x 2 1/2.....	4
7	FP-019-12	Tee - Pipe 3/8 x 3/8 x 3/8 (Brass).....	2
8	FP-090-37	Fitting - Hose - Anchor Coupling 3/8 NPT (Brass).....	2
9	00-856720-00006	Valve - Dual Water 3.8 - 1.0 GPM (Condensate) (for 6-pan units).....	2
10	00-856720-00006	Valve - Dual Water 3.8 - 1.0 GPM (Condensate) (for 10-pan units).....	2
11	FP-040-18	Pipe 3/8 x 1.....	2
12	00-557681	Hose - Clear Braided.....	AR



PANELS

PANELS

ILLUS. PL-61071	PART NO.	NAME OF PART	AMT.
1	00-858327-00001	Panel - Cabinet Top.....	1
2	00-856688-00001	Guard - Flue.....	1
3	00-858328-00001	Panel - Cabinet Back (6-Pan).....	1
4	00-858368-00001	Panel - Cabinet Back (10-Pan).....	1
5	NS-038-04	Lock Nut 1/4-20 Flange.....	AR
6	00-855326-00001	Bracket - Cabinet Compartment Middle.....	1
7	00-857616-00001	Side Panel - Cabinet (6-Pan).....	2
8	00-857618-00001	Side Panel - Cabinet (10-Pan).....	2
9	00-857548-00001	Bracket - Support.....	1
10	00-858369-00002	Panel - Rear Assy.....	1
11	00-881526	Leg - With Adjustable Flange Foot.....	4
12	00-858450-00001	Panel - Front.....	1
13	00-855672-00001	Panel - Side.....	2
14	00-858318-00001	Tabletop.....	1
15	00-858463-00001	Bracket - Manifold.....	1
16	FP-015-09	Elbow 3/8 x 90 Deg.....	1
17	FP-030-15	Lock Nut 3/8 NPT (Brass).....	1
18	FP-090-63	Fitting - Hose 5/8 ID Hose to 3/8 MPT (Brass).....	2
19	FP-090-60	Fitting - Hose (Round Hose Cap 3/4 NH Thread) (Brass).....	2
20	00-856769-00001	O-Ring 1/8 In. Thk.....	2
21	FP-090-37	Fitting - Hose - Anchor Coupling 3/8 NPT (Brass).....	2
22	FP-092-20	Fitting - Barb 5/8 x 3/8 (45 Deg.).....	1
23	NS-048-97	Panel Nut 10-24.....	AR
24	SC-093-27	Mach. Screw 10-24 x 7/8 Phil. Truss Hd. (SST).....	AR
25	FP-090-59	Fitting - Hose 1/2 ID x 1/4 NPT (Brass).....	2
26	FP-030-14	Lock Nut - Pipe 1/4 NPSL (Brass).....	2
27	FP-015-05	Elbow - Pipe 1/4 x 90 Deg. (Brass).....	2
28	00-557845	Clamp - Hose (24mm).....	3
29	00-557475	Hose 5/8 ID x 0.955 OD (1.66 Ft.) (Blue).....	AR

