



Converge[®] Multi-Cook Oven

Simple and Deluxe Control

CMC-H2H
CMC-H3H



**Structured Air
Technology™**

Manufacturer's Information

Copyright

© Copyright 11/2022 by Alto-Shaam, Inc.
All rights reserved.
This manual or any portion thereof may not be reproduced or used in any manner whatsoever without the express written permission of Alto-Shaam, Inc

Trademarks

All trademarks referenced in this documentation are the property of their respective owners.

Manufacturer

Alto-Shaam, Inc.
P.O. Box 450
W164 N9221 Water Street
Menomonee Falls, WI 53052

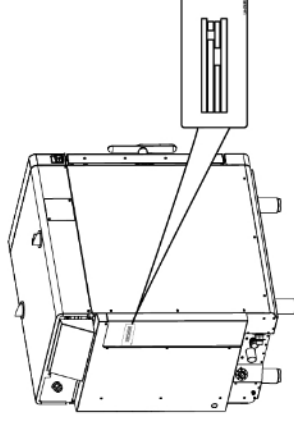
Models Covered

CMC-H2H CMC-H3H	RH - Right-Hand Swing Door LH - Left-Hand Swing Door US (UL Certified) Models International (CE Certified) Models
----------------------------------	---

Serial Number

The unit serial number is required for ordering the correct service parts.
Record the unit serial number in the space provided below.

Serial Number



Parts Ordering Information

Original manufacturer's replacement parts may be ordered directly from the Alto-Shaam network of Authorized Service Agents and Parts Distributors. Follow this link for a map to a local partner: <https://www.alto-shaam.com/en/how-to-buy>. If you are an Authorized Service Agent or Parts Distributor, please submit your purchase order to parts@alto-shaam.com.

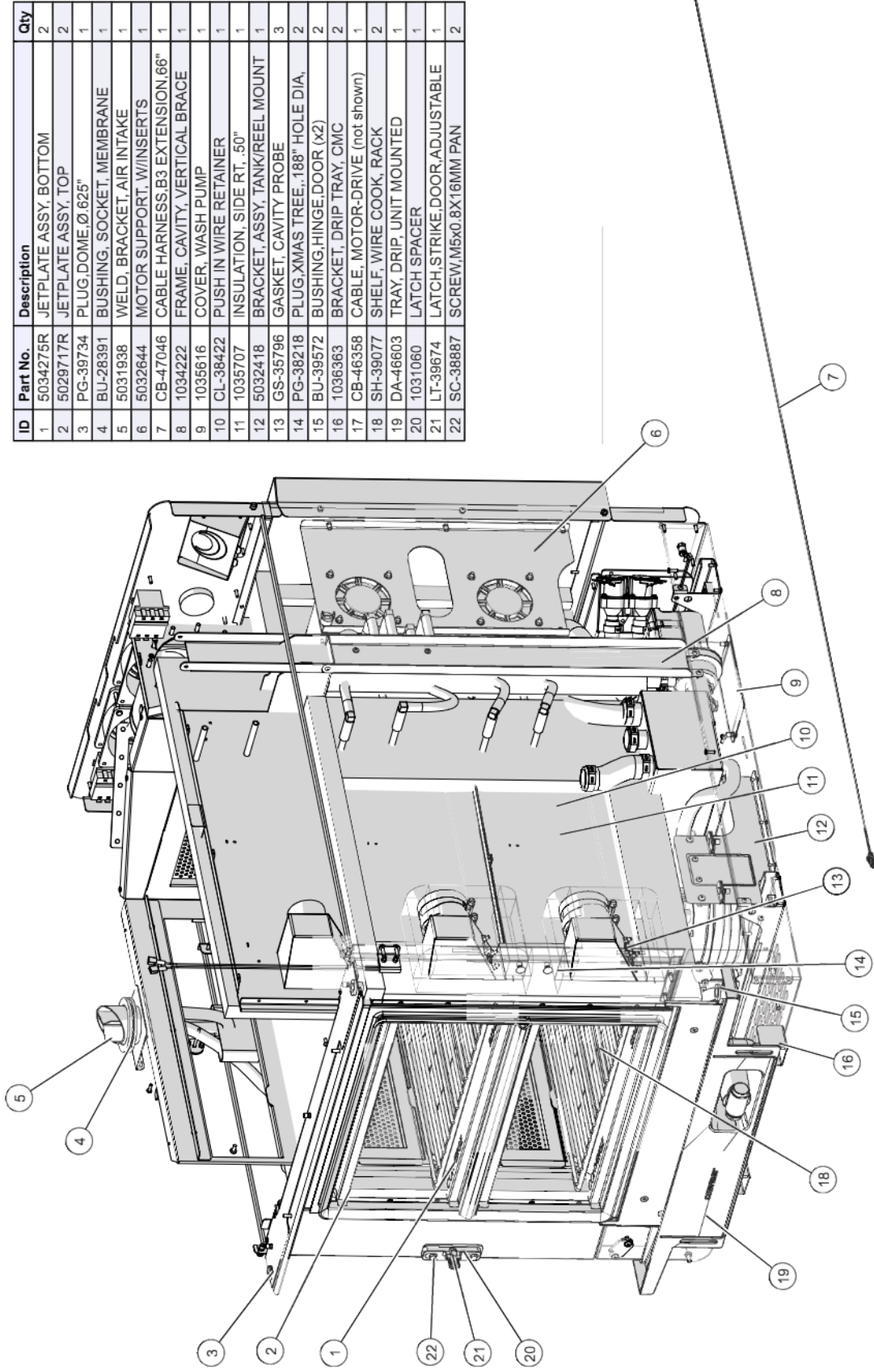
Non-OEM parts may be substituted; however, these parts must be of equal quality and specifications as those provided by Alto-Shaam.

Table of Contents

Manufacturer's Information	2	Voltage Package, CMC3, 208/240V 3PH.....	38
Table of Contents	3	Board and Terminal Details, CMC3, 208/240V 3PH	39
Base Assembly, CMC2 (Right Side View)	4	Terminal ID, CMC3, 208/240V 3PH	40
Base Assembly, CMC2 (Left Side View)	5	Voltage Package, CMC3, 380/415V 3PH	41
Base Assembly, CMC2 (Rear View)	6	Board and Terminal Details, CMC3, 380/415V 3PH	42
Insulation, CMC2	7	Terminal ID, CMC3, 380/415V 3PH	43
Plumbing/Wash Components, CMC2.....	8	Control Panel, Simple (all models)	44
Base Assembly, CMC3 (Right Side View)	9	Control Panel, Deluxe (all models).....	45
Base Assembly, CMC3 (Left Side View)	10	Probe Kits (all models).....	46
Base Assembly, CMC3 (Rear View)	11	Cords and Plugs (all models).....	47
Insulation, CMC3.....	12	Mobile Base (all models)	48
Plumbing/Wash Components, CMC3.....	13	Seismic Legs (all models)	49
Exhaust Manifold Assembly with Catalyst, CMC2	14	Adjustable Legs (all models).....	50
Exhaust Manifold Assembly with Catalyst, CMC3	15	Installation Kits.....	51
Motor/Fan Assembly (all models).....	16		
Exterior Package, Simple, CMC2, RH.....	17		
Exterior Package, Simple, CMC2, LH	18		
Exterior Package, Deluxe, CMC2, RH	19		
Exterior Package, Deluxe, CMC2, LH.....	20		
Exterior Package, Simple, CMC3, RH.....	21		
Exterior Package, Simple, CMC3, LH	22		
Exterior Package, Deluxe, CMC3, RH	23		
Exterior Package, Deluxe, CMC3, LH.....	24		
Door Assembly, CMC2 RH	25		
Door Assembly, CMC2 LH.....	26		
Door Assembly, CMC3 RH	27		
Door Assembly, CMC3 LH.....	28		
Voltage Package, CMC2, 208/240V 1PH	29		
Board and Terminal Details, CMC2, 208/240V 1PH.....	30		
Terminal ID, CMC2, 208/240V 1PH	31		
Voltage Package, CMC2, 208/240V 3PH	32		
Board and Terminal Details, CMC2, 208/240V 3PH.....	33		
Terminal ID, CMC2, 208/240V 3PH	34		
Voltage Package, CMC2, 380/415V 3PH	35		
Board and Terminal Details, CMC2, 380/415V 3PH.....	36		
Terminal ID, CMC2, 380/415V 3PH	37		

BASE ASSEMBLY, CMC2 (RIGHT SIDE VIEW)

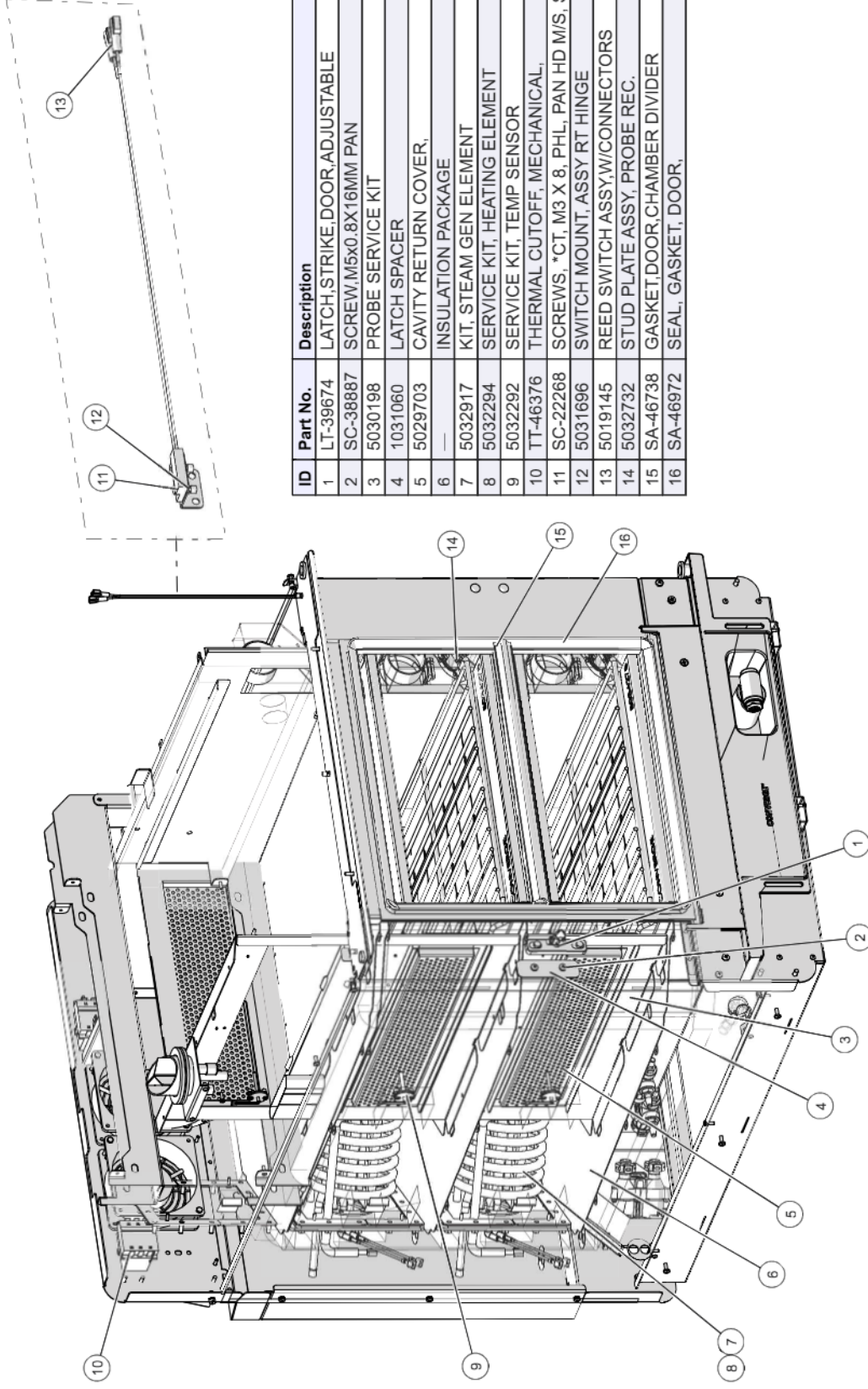
Base Assembly, CMC2 (Right Side View)



ID	Part No.	Description	Qty
1	5034275R	JETPLATE ASSY, BOTTOM	2
2	5029717R	JETPLATE ASSY, TOP	2
3	PG-39734	PLUG, DOME, Ø.625"	1
4	BU-28391	BUSHING, SOCKET, MEMBRANE	1
5	5031938	WELD, BRACKET, AIR INTAKE	1
6	5032644	MOTOR SUPPORT, W/INSERTS	1
7	CB-47046	CABLE HARNESS, B3 EXTENSION, 66"	1
8	1034222	FRAME, CAVITY, VERTICAL BRACE	1
9	1035616	COVER, WASH PUMP	1
10	CL-38422	PUSH IN WIRE RETAINER	1
11	1035707	INSULATION, SIDE RT., .50"	1
12	5032418	BRACKET, ASSY, TANK/REEL MOUNT	1
13	GS-35796	GASKET, CAVITY PROBE	3
14	PG-38218	PLUG, XMAS TREE, .188" HOLE DIA.	2
15	BU-39572	BUSHING, HINGE, DOOR (x2)	2
16	1036363	BRACKET, DRIP TRAY, CMC	2
17	CB-46358	CABLE, MOTOR-DRIVE (not shown)	1
18	SH-39077	SHELF, WIRE COOK, RACK	2
19	DA-46603	TRAY, DRIP, UNIT MOUNTED	1
20	1031060	LATCH SPACER	1
21	LT-39674	LATCH, STRIKE, DOOR, ADJUSTABLE	1
22	SC-38887	SCREW, M5x0.8X16MM PAN	2

BASE ASSEMBLY, CMC2 (LEFT SIDE VIEW)

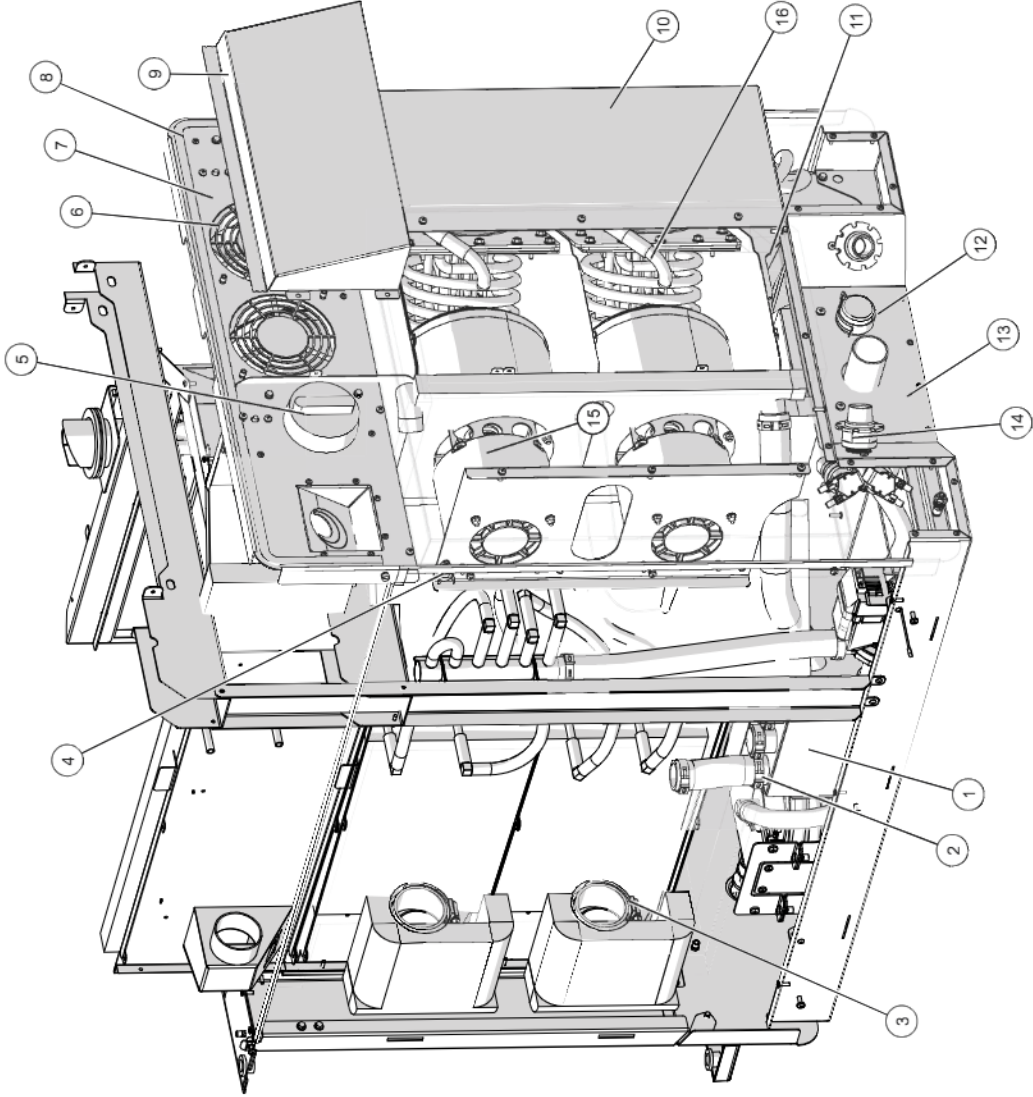
Base Assembly, CMC2 (Left Side View)



ID	Part No.	Description
1	LT-39674	LATCH, STRIKE, DOOR, ADJUSTABLE
2	SC-38887	SCREW, M5x0.8X16MM PAN
3	5030198	PROBE SERVICE KIT
4	1031060	LATCH SPACER
5	5029703	CAVITY RETURN COVER,
6	—	INSULATION PACKAGE
7	5032917	KIT, STEAM GEN ELEMENT
8	5032294	SERVICE KIT, HEATING ELEMENT
9	5032292	SERVICE KIT, TEMP SENSOR
10	TT-46376	THERMAL CUTOFF, MECHANICAL,
11	SC-22268	SCREWS, *CT, M3 X 8, PHL., PAN HD M/S, S/S
12	5031696	SWITCH MOUNT, ASSY RT HINGE
13	5019145	REED SWITCH ASSY, W/CONNECTORS
14	5032732	STUD PLATE ASSY, PROBE REC.
15	SA-46738	GASKET, DOOR, CHAMBER DIVIDER
16	SA-46972	SEAL, GASKET, DOOR,

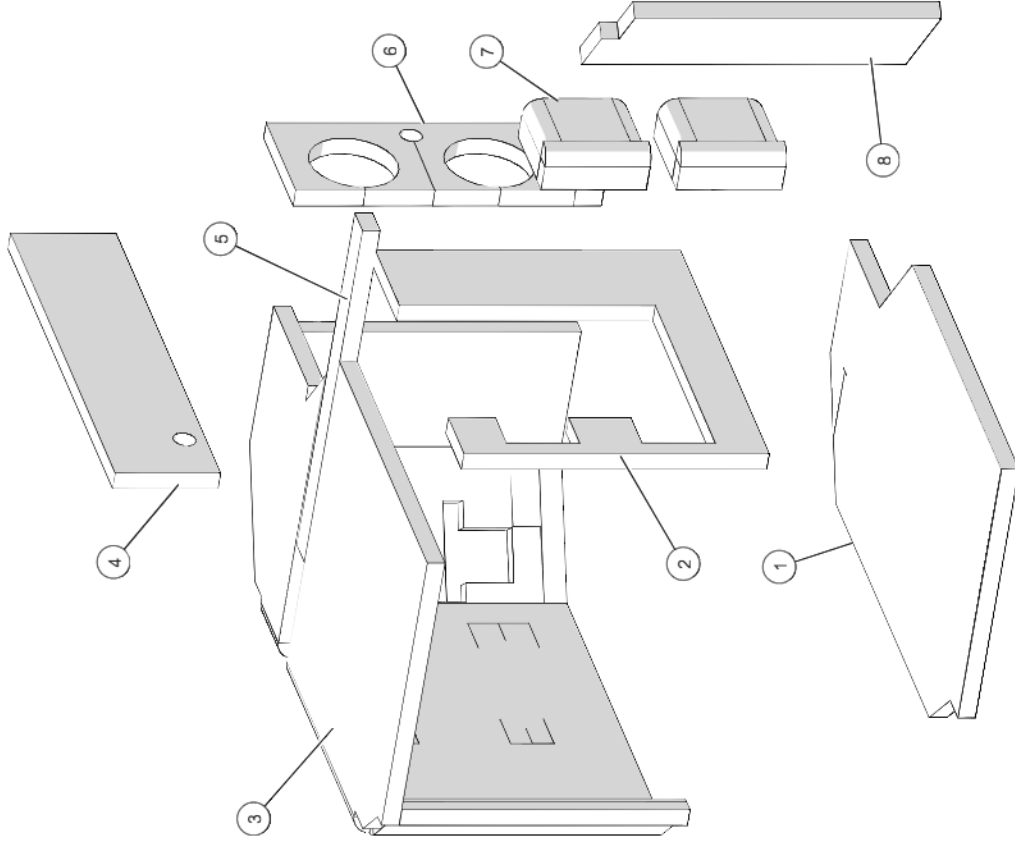
BASE ASSEMBLY, CMC2 (REAR VIEW)

Base Assembly, CMC2 (Rear View)



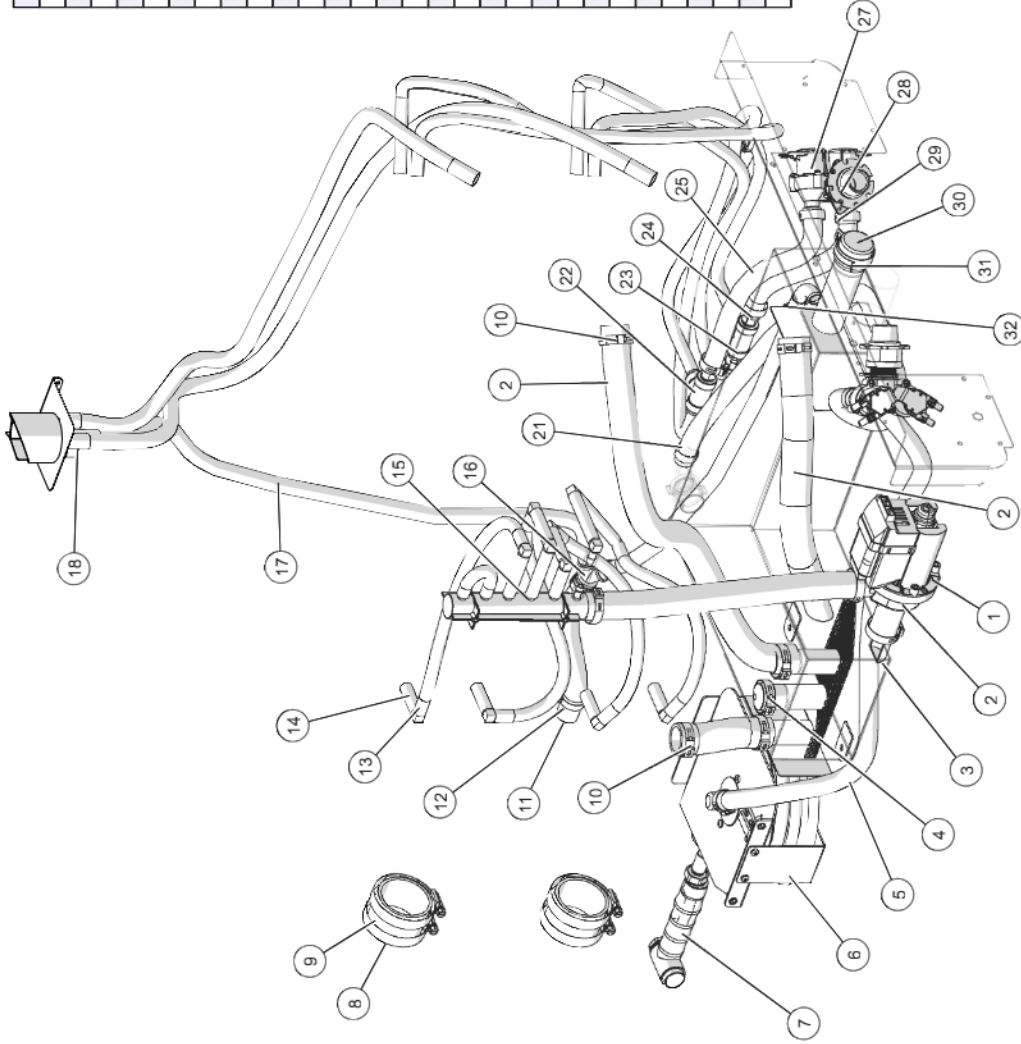
ID	Part No.	Description	Qty
1	5029687	TANK ASSY, WELD, CONDENSOR	1
2	CM-39017	CLAMP, EAR, 29.9mm-33.1mm ID	11
3	CM-38394	CLAMP, WORM GEAR, LINED	4
4	TT-37680	THERMOSTAT,AUTO RESET,	1
5	KN-37667	KNOB,POWER,INCLUDED W/SWITCH	1
6	FA-36957	FAN,230V,MECHATRONICS,HI-TEMP	2
7	5031929	BACK PANEL ASSEMBLY	1
8	GS-23622	GASKET,ADHESIVE, 33,000"	1
9	1032179	FAN SHROUD, CMC	1
10	5032097	PANEL, BACK FILLER, ASSEMBLY	1
11	5031280	BACK PANEL, CMC2	1
12	CM-29038	CLAMP, HOSE, 38mm	1
13	1032181	TANK MOUNT, CMC	1
14	5024963	FITTING, G 3/4 BSP BY 3/4 NPT	2
15	5032291	SERVICE KIT, BLOWER MOTOR	2
16	EB-47213	ELBOW, 1/2" ID	6

Insulation, CMC2



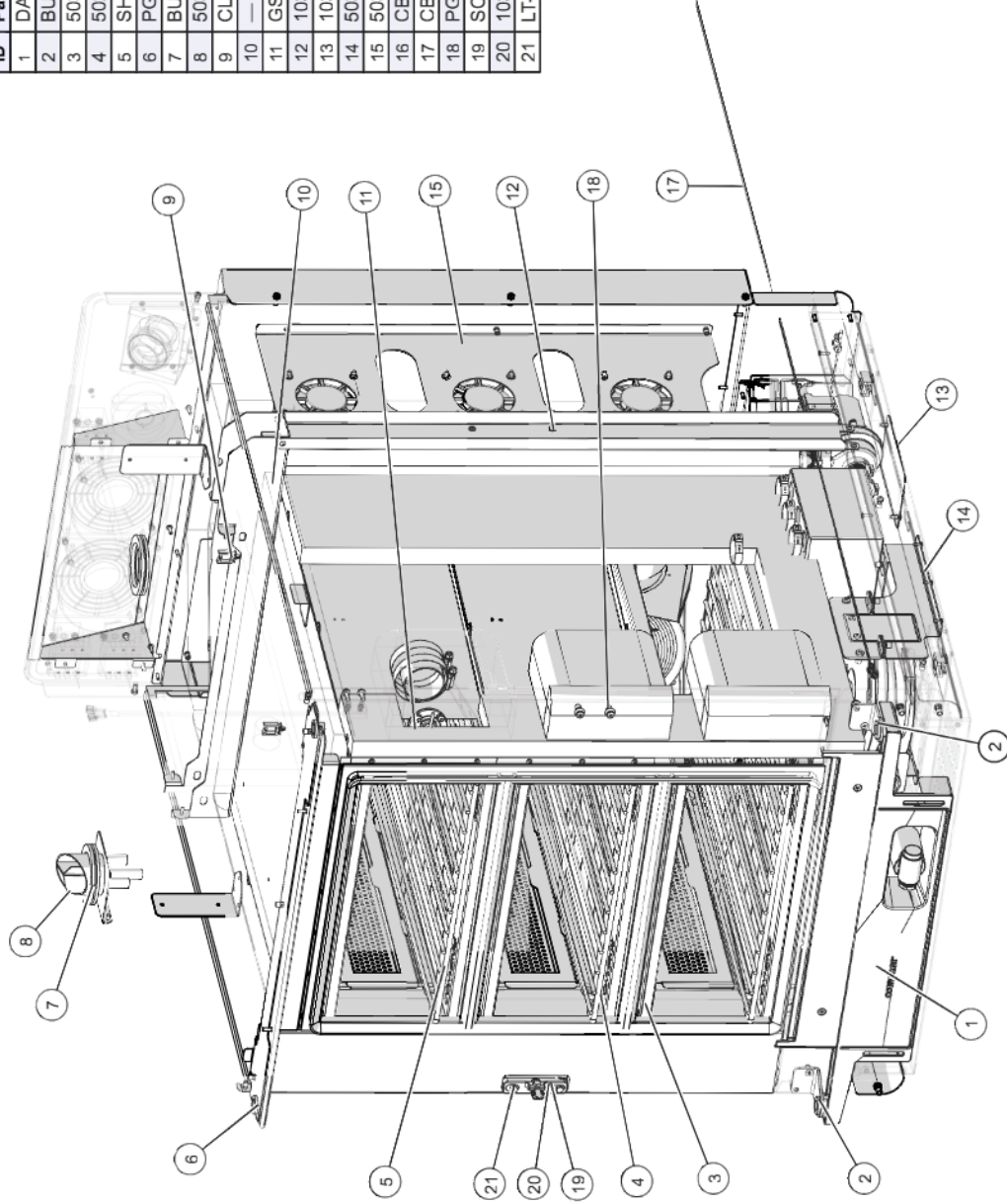
ID	Part No.	Description
1	1033376	INSULATION, BOTTOM
2	1034244	INSULATION, RT SIDE
3	1034245	INSULATION, TOP
4	1034253	INSULATION, TOP
5	1034042	INSULATION, TOP
6	1034243	INSULATION, BOTTOM
7	1034164	INSULATION, PROBE
8	1034242	INSULATION, SIDE

Plumbing/Wash Components, CMC2



ID	Part No.	Description	Qty
1	MO-35160	PUMP, WASH SYSTEM, 220V	1
2	HO-46775	HOSE, 1" ID, SILICONE, HI-TEMP	5
3	5029687	TANK ASSY, WELD, CONDENSOR	1
4	CP-47074	CAP, FOR 1" TO 1-1/16" OD HOSE	1
5	HO-22255	HOSE, 1/2" PVC, CLR BRAID, 2	2
6	PB-39844	RETRACTABLE HOSE REEL	1
7	PB-29664	PLUMBING, HAND SPRAYER	1
8	CM-38394	CLAMP, WORM GEAR, LINED	4
9	HO-37289	HOSE 50MM ID VITON, 1.750"	2
10	CM-39017	CLAMP, EAR, 29.9mm-33.1mm ID	11
11	HO-46774	HOSE, 5/8" ID, SIL, HI-TEMP, 4.00"	1
12	CM-46927	EAR CLAMP, PINCH, 7 mm BAND	2
13	HO-46824	FITTING, ELBOW, 90 DEG., 1/4"	12
14	HO-46773	HOSE, 1/4" ID, SILICONE, HI-TEMP	21
15	PB-46621	MANIFOLD, CLEANING, CUSTOM	2
16	PB-47324	WYE, PLASTIC, BARBED, 5/8 TO 1/2 & 1/2	1
17	HO-47221	HOSE, 1/2" ID, SILICONE, HI-TEMP	4
18	CP-47075	CAP, FOR 1/2" TO 9/16" OD HOSE	1
21	CM-47212	EAR CLAMP, PINCH, 9mm, 17.8 - 21mm ID	4
22	TE-46798	TEE CONNECTOR, 1/4 NPT	2
23	FT-46391	FITTING, ORIFICE	4
24	FT-46392	FITTING, 1.9", 1/4-18 NPT TO 1/2" BARBED	2
25	HO-28790	HOSE, 1/2", SIL, CLR, BRAID	2
27	VA-47196	VALVE, SOLENOID, DOUBLE PORT	2
28	5024963	FITTING, G 3/4 BSP BY 3/4 NPT	2
29	CM-46927	EAR CLAMP, PINCH, 9 mm, 20.9 - 24.1 MM ID	4
30	CP-29648	CAP, PUSH-ON, FITS ON 1-1/4" OD	1
31	CM-29038	CLAMP, HOSE, 38mm	1
32	CM-47341	EAR CLAMP, PINCH, 9MM, 14.5 - 17mm	2

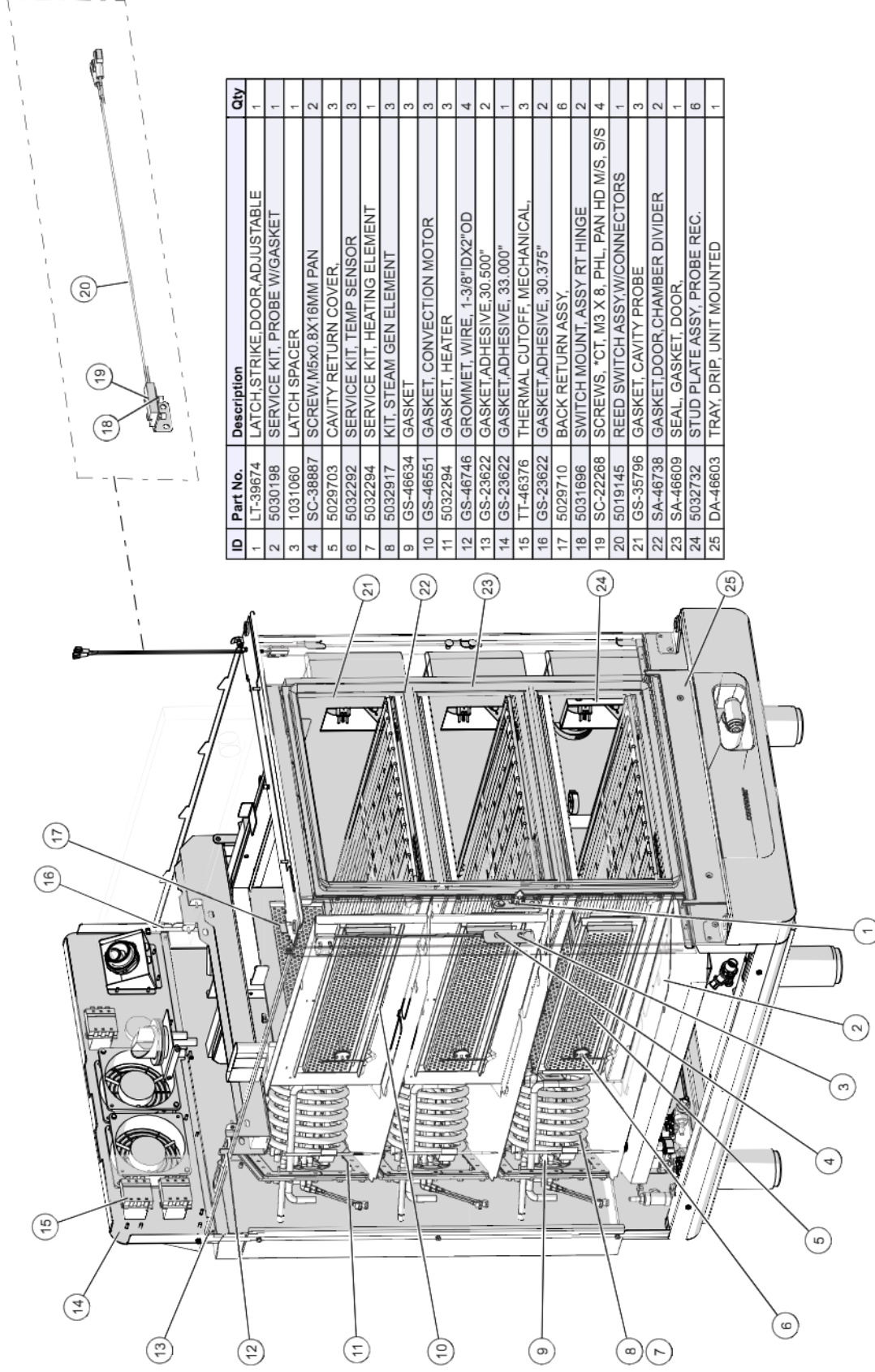
Base Assembly, CMC3 (Right Side View)



ID	Part No.	Description	Qty
1	DA-46603	TRAY, DRIP, UNIT MOUNTED	1
2	BU-39572	BUSHING, HINGE, DOOR	4
3	5034275R	JETPLATE ASSY, BOTTOM	3
4	5029717R	JETPLATE ASSY, TOP	3
5	SH-39077	SHELF, WIRE COOK, RACK	3
6	PG-39734	PLUG, DOME, Ø.625"	2
7	BU-28391	BUSHING, SOCKET, MEMBRANE	2
8	5031938	WELD, BRACKET, AIR INTAKE	1
9	CL-38422	PUSH IN WIRE RETAINER	5
10	—	INSULATION PACKAGE	1
11	GS-35796	GASKET, CAVITY PROBE	3
12	1032176	FRAME, CAVITY, VERTICAL BRACE	1
13	1035616	COVER, WASH PUMP	1
14	5032418	BRACKET, ASSY, TANK/REEL MOUNT	1
15	5032426	ASM, MOTOR SUPPORT	1
16	CB-46358	CABLE, MOTOR-DRIVE (not shown)	1
17	CB-47046	CABLE HARNESS, B3 EXTENSION, 66"	1
18	PG-38218	PLUG, X/MAS TREE, .188" HOLE DIA.	6
19	SC-38887	SCREW, M5X0.8X16MM PAN	4
20	1031060	LATCH SPACER	1
21	LT-39674	LATCH, STRIKE, DOOR, ADJUSTABLE	1

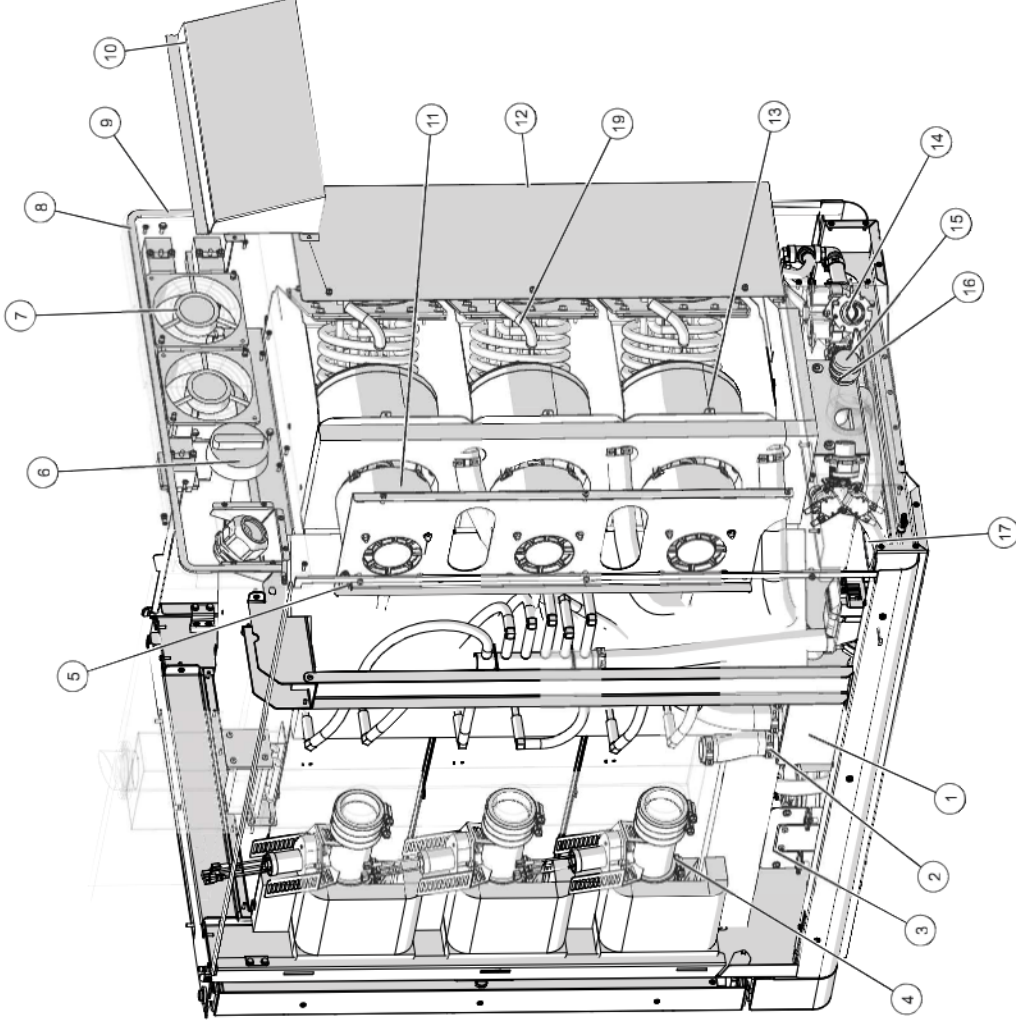
BASE ASSEMBLY, CMC3 (LEFT SIDE VIEW)

Base Assembly, CMC3 (Left Side View)



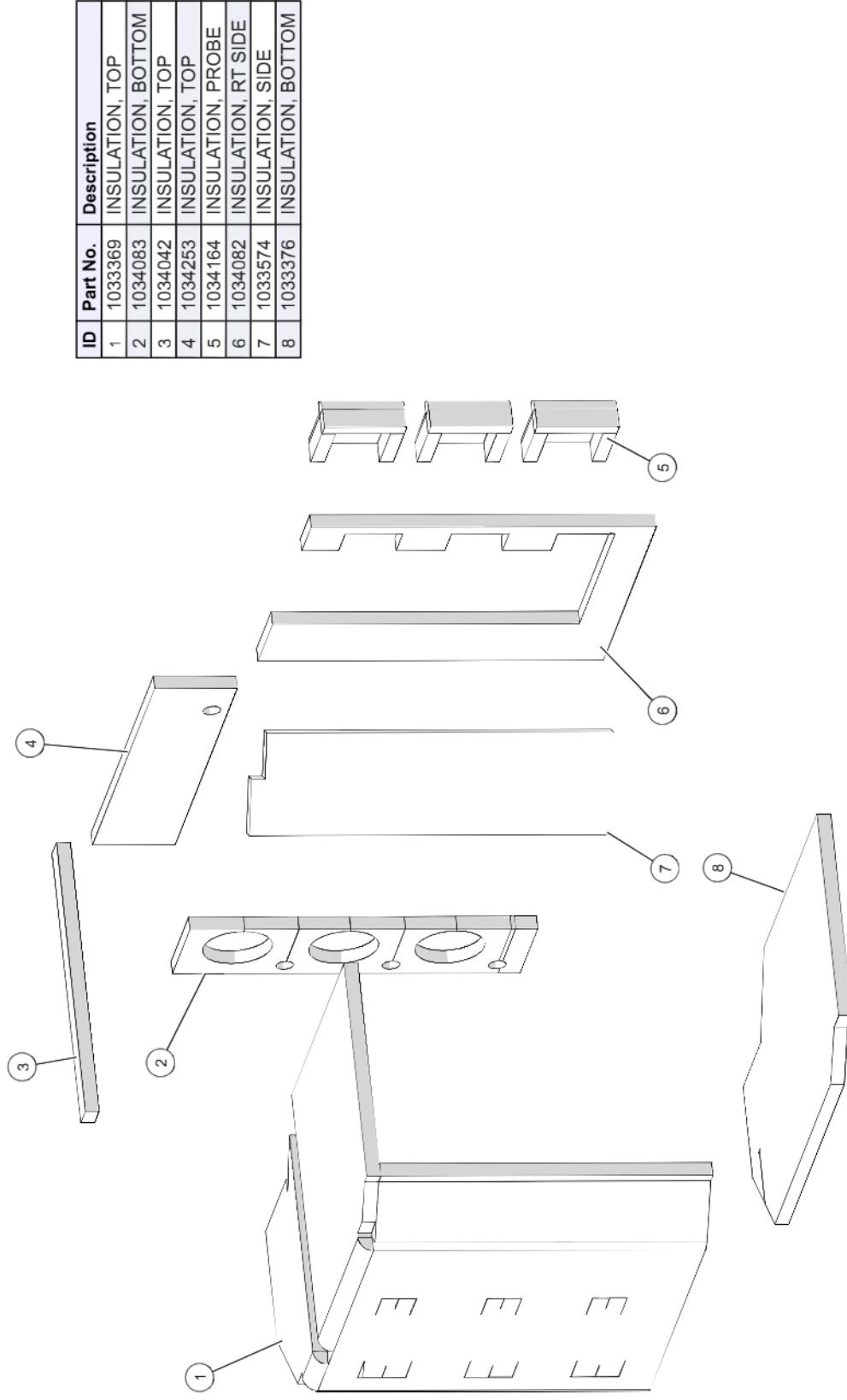
ID	Part No.	Description	Qty
1	LT-39674	LATCH,STRIKE,DOOR,ADJUSTABLE	1
2	5030198	SERVICE KIT, PROBE W/GASKET	1
3	1031060	LATCH SPACER	1
4	SC-38887	SCREW,M5x0.8X16MM PAN	2
5	5029703	CAVITY RETURN COVER,	3
6	5032292	SERVICE KIT, TEMP SENSOR	3
7	5032294	SERVICE KIT, HEATING ELEMENT	1
8	5032917	KIT, STEAM GEN ELEMENT	3
9	GS-46634	GASKET	3
10	GS-46551	GASKET, CONVECTION MOTOR	3
11	5032294	GASKET, HEATER	3
12	GS-46746	GROMMET, WIRE, 1-3/8"IDX2"OD	4
13	GS-23622	GASKET,ADHESIVE,30.500"	2
14	GS-23622	GASKET,ADHESIVE, 33.000"	1
15	TT-46376	THERMAL CUTOFF, MECHANICAL,	3
16	GS-23622	GASKET,ADHESIVE, 30.375"	2
17	5029710	BACK RETURN ASSY,	6
18	5031696	SWITCH MOUNT, ASSY RT HINGE	2
19	SC-22268	SCREWS, *CT, M3 X 8, PHL, PAN HD M/S, S/S	4
20	5019145	REED SWITCH ASSY,W/CONNECTORS	1
21	GS-35796	GASKET, CAVITY PROBE	3
22	SA-46738	GASKET,DOOR,CHAMBER DIVIDER	2
23	SA-46609	SEAL, GASKET, DOOR,	1
24	5032732	STUD PLATE ASSY, PROBE REC.	6
25	DA-46603	TRAY, DRIP, UNIT MOUNTED	1

Base Assembly, CMC3 (Rear View)



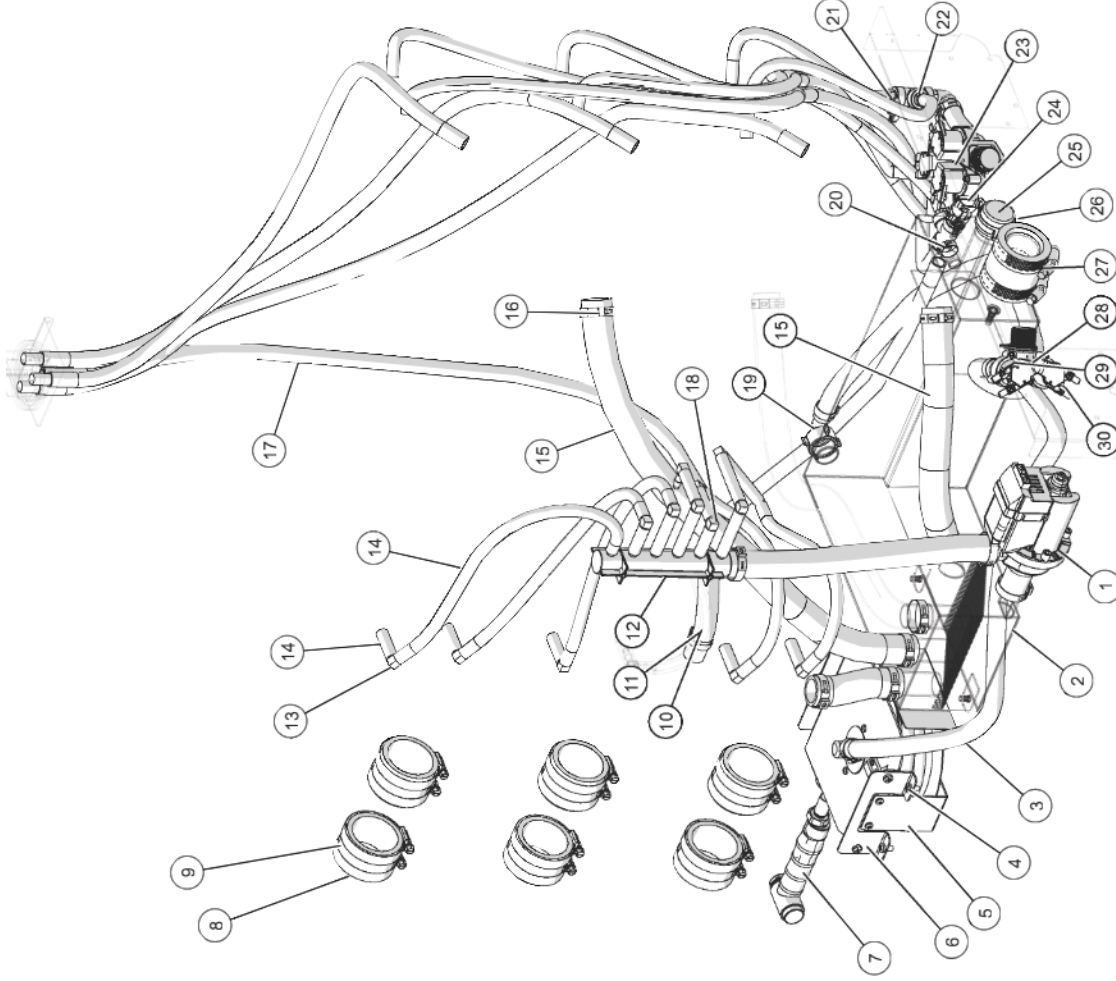
ID	Part No.	Description	Qty
1	5029687	TANK ASSY, WELD, CONDENSOR	1
2	CM-39017	CLAMP, EAR, 29.9mm-33.1mm ID	12
3	1033998	BRACKET, TANK/REEL MOUNT	1
4	CM-38394	CLAMP, WORM GEAR, LINED	12
5	TT-37680	THERMOSTAT,AUTO RESET	1
6	KN-37667	KNOB,POWER,INCLUDED W/SWITCH	1
7	FA-36957	FAN 230V,MECHATRONICS,HI-TEMP	2
8	5031929	FAN PANEL ASSEMBLY, CMC3	1
9	GS-23622	GASKET,ADHESIVE, 33,000"	1
10	1032179	FAN SHROUD	1
11	5032291	SERVICE KIT, BLOWER MOTOR	3
12	5032096	BACK PANEL FILLER ASSY, CMC3	1
13	HS-46608	BLOWER HOUSING,350C MDL X4.1"	3
14	5024963	FITTING, G 3/4 BSP BY 3/4 NPT	2
15	CP-29648	CAP, PUSH-ON, FITS ON 1-1/4"OD	1
16	CM-29038	CLAMP, HOSE, 38mm	1
17	5030198	SVC KIT, SENSOR, J-TYPE THERMISTOR	1
18	5024271	WIRE PACKAGE, COOLING FAN (not shown)	1
19	EB-47213	ELBOW, 1/2" ID	7

Insulation, CMC3



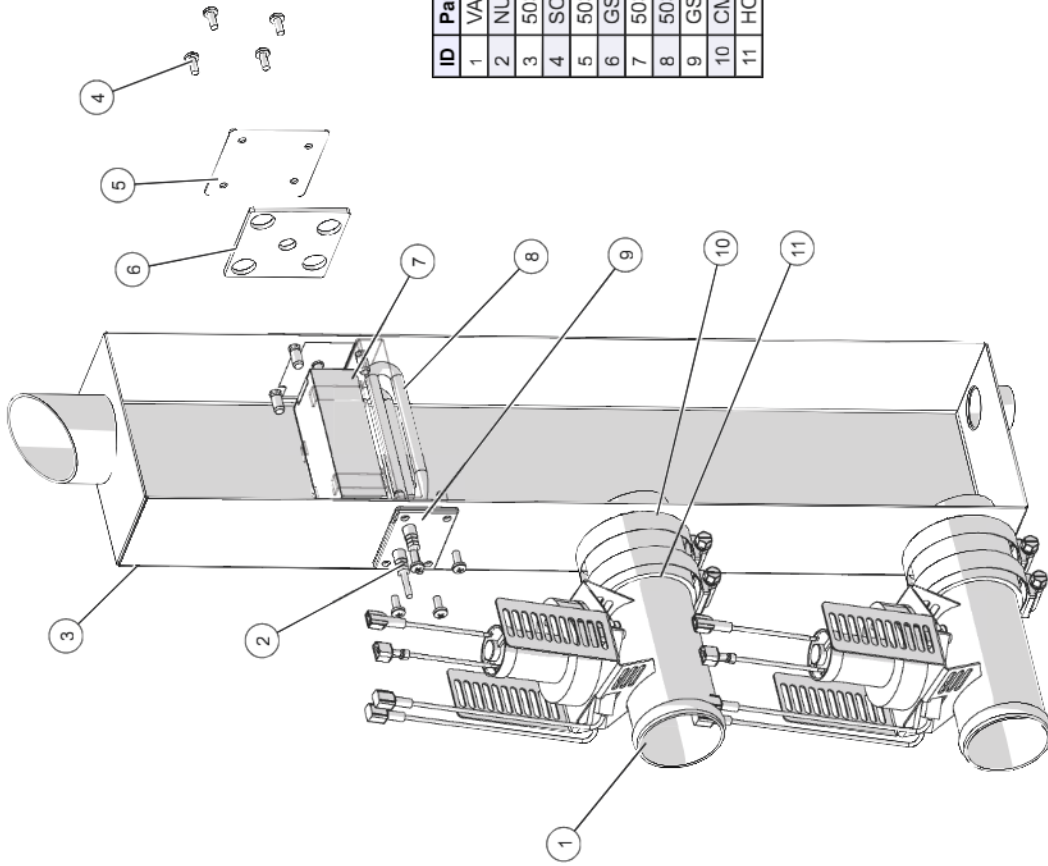
ID	Part No.	Description
1	1033369	INSULATION, TOP
2	1034083	INSULATION, BOTTOM
3	1034042	INSULATION, TOP
4	1034253	INSULATION, TOP
5	1034164	INSULATION, PROBE
6	1034082	INSULATION, RT SIDE
7	1033574	INSULATION, SIDE
8	1033376	INSULATION, BOTTOM

Plumbing/Wash Components, CMC3



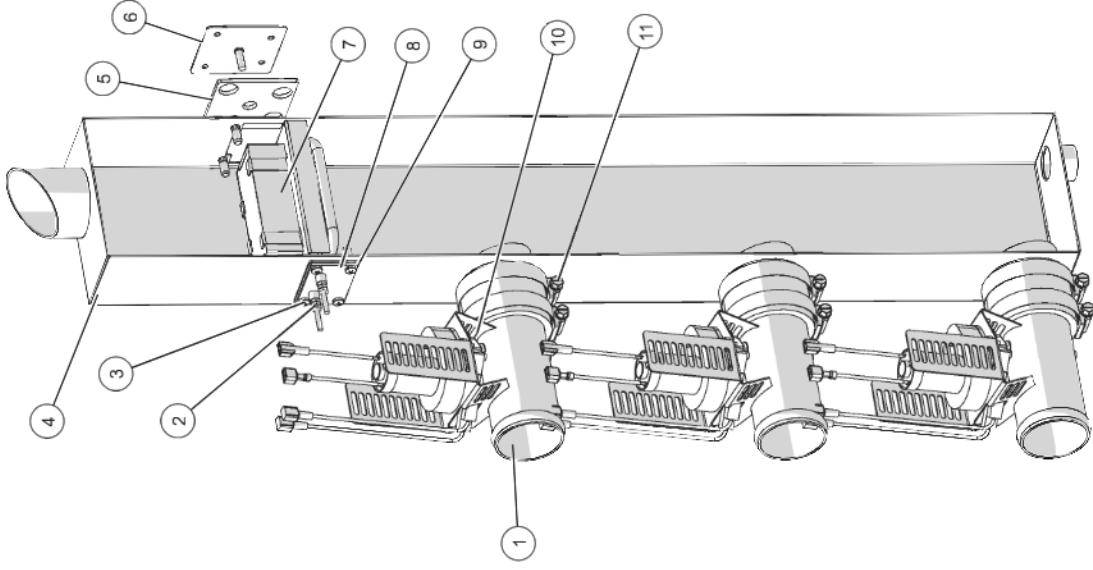
ID	Part No.	Description	Qty
1	MO-35160	PUMP, WASH SYSTEM, 220V	1
2	5029687	TANK ASSY, WELD, CONDENSOR	1
3	HO-22255	HOSE, 1/2", PVC, CLR BRAID	5
4	SC-22766	SCREW, PAN HEAD PHILLIPS	5
5	PB-39844	RETRACTABLE HOSE REEL	1
6	1033998	BRACKET, TANK/REEL MOUNT	1
7	PB-29664	PLUMBING, HAND SPRAYER	1
8	CM-38394	CLAMP, WORM GEAR, LINED	12
9	HO-37289	HOSE, 2" ID	6
10	HO-46774	HOSE, 5/8" ID, SIL, HI-TEMP, 4.00"	1
11	CM-46927	EAR CLAMP, PINCH, 9 mm BAND	2
12	PB-46621	MANIFOLD, CLEANING, CUSTOM	1
13	HO-46824	FITTING, ELBOW, 90 DEG., 1/4"	15
14	HO-46773	HOSE, 1/4" ID, SIL, HI-TEMP	27
15	HO-46775	HOSE, 1" ID, SIL, HI-TEMP	6
16	CM-39017	CLAMP, EAR, 29.9mm-33.1mm ID	12
17	HO-47221	HOSE, 1/2" ID, SIL, HI-TEMP	5
18	PB-47324	WYE, PLASTIC, BARBED	1
19	HO-22116	FITTING, ELBOW, 90 DEG.,	1
20	CM-47341	EAR CLAMP, PINCH, 9MM BAND	1
21	FT-46391	FITTING, ORIFICE	6
22	TE-46798	TEE CONNECTOR, 1/4 NPT	3
23	VA-47197	VALVE SOLENOID, TRIPLE PORT	1
24	FT-46392	FITTING, 1.9", 1/4-18 NPT TO 1/2 BARB	1
25	CP-29648	CAP, PUSH-ON, FITS ON 1-1/4" OD	1
26	CM-29038	CLAMP, HOSE, 38mm	1
27	FT-36803	COUPLING, NO-HUB	1
28	CM-47212	EAR CLAMP, PINCH, 9mm BAND	10
29	WS-47896	WASHER, BONDED, SS 1/4"	1
30	VA-47196	VALVE, SOLENOID, DOUBLE PORT	1

Exhaust Manifold Assembly with Catalyst, CMC2



ID	Part No.	Description	Qty
1	VA-46623	VALVE, HUMIDITY EXHAUST	2
2	NU-2361	NUT, 6-32 HEX, S/S	6
3	5032049	MANIFOLD WELDMENT,EXHAUST	1
4	SC-22273	SCREW,M4x0.7X10MM PAN	8
5	5031168	STUD WELDMENT, MANIFOLD	1
6	GS-46658	GASKET, SEAL, CTLST COVER	1
7	5032295	SERVICE KIT, CATALYST	1
8	5032296	SERVICE KIT, ELEMENT, HEATER, CATALYTIC	1
9	GS-35494	GASKET, SEAL, CTLST CONV	1
10	CM-38394	CLAMP, WORM GEAR, LINED	4
11	HO-37289	HOSE,VALVE TO MANIFOLD,1.750"	2

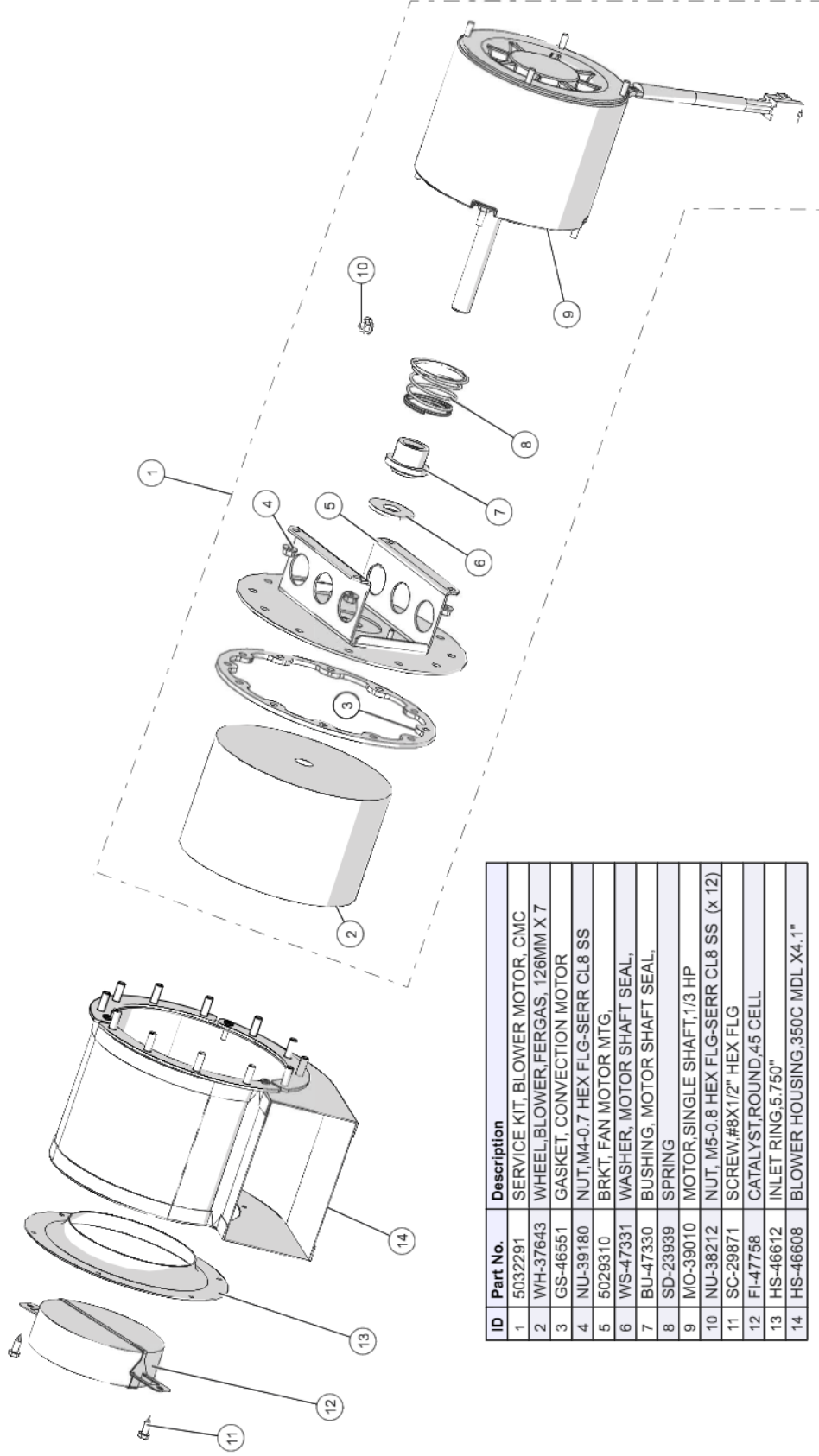
Exhaust Manifold Assembly with Catalyst, CMC3



ID	Part No.	Description	Qty
1	VA-46623	VALVE, HUMIDITY EXHAUST	3
2	NU-2361	NUT, 6-32 HEX, S/S	6
3	SC-22273	SCREW, M4x0.7X10MM PAN	8
4	5031930	MANIFOLD WELDMENT, EXHAUST	1
5	GS-46658	GASKET, SEAL, CTLST COVER	1
6	5031168	STUD WELDMENT, MANIFOLD	1
7	5032295	FILTER KIT, CATALYTIC CONVERTER	1
8	5032296	ELEMENT KIT, HEATER, CATALYTIC	1
9	GS-35494	GASKET, SEAL, CTLST CONV	1
10	HO-37289	HOSE, VALVE TO MANIFOLD, 1.750"	3
11	CM-38394	CLAMP, WORM GEAR, LINED	6

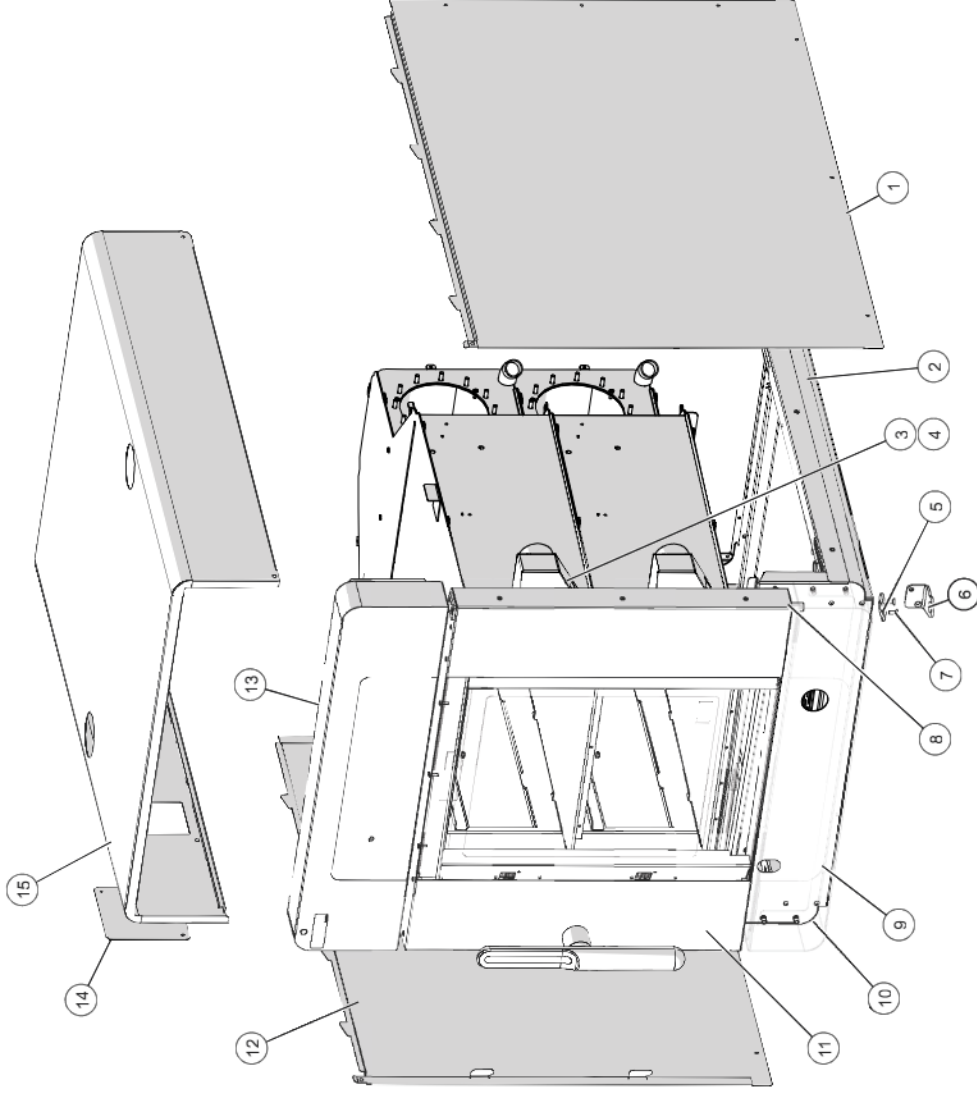
MOTOR/FAN ASSEMBLY (ALL MODELS)

Motor/Fan Assembly (all models)



ID	Part No.	Description
1	5032291	SERVICE KIT, BLOWER MOTOR, CMC
2	WH-37643	WHEEL,BLOWER,FERGAS, 126MM X 7
3	GS-46551	GASKET, CONVECTION MOTOR
4	NU-39180	NUT,M4-0.7 HEX FLG-SERR CL.8 SS
5	5029310	BRKT. FAN MOTOR MTG.
6	WS-47331	WASHER, MOTOR SHAFT SEAL,
7	BU-47330	BUSHING, MOTOR SHAFT SEAL,
8	SD-23939	SPRING
9	MO-39010	MOTOR, SINGLE SHAFT, 1/3 HP
10	NU-38212	NUT, M5-0.8 HEX FLG-SERR CL.8 SS (x 12)
11	SC-29871	SCREW,#8X1/2" HEX FLG
12	FL-47758	CATALYST,ROUND,45 CELL
13	HS-46612	INLET RING,5.750"
14	HS-46608	BLOWER HOUSING,350C MDL X4,1"

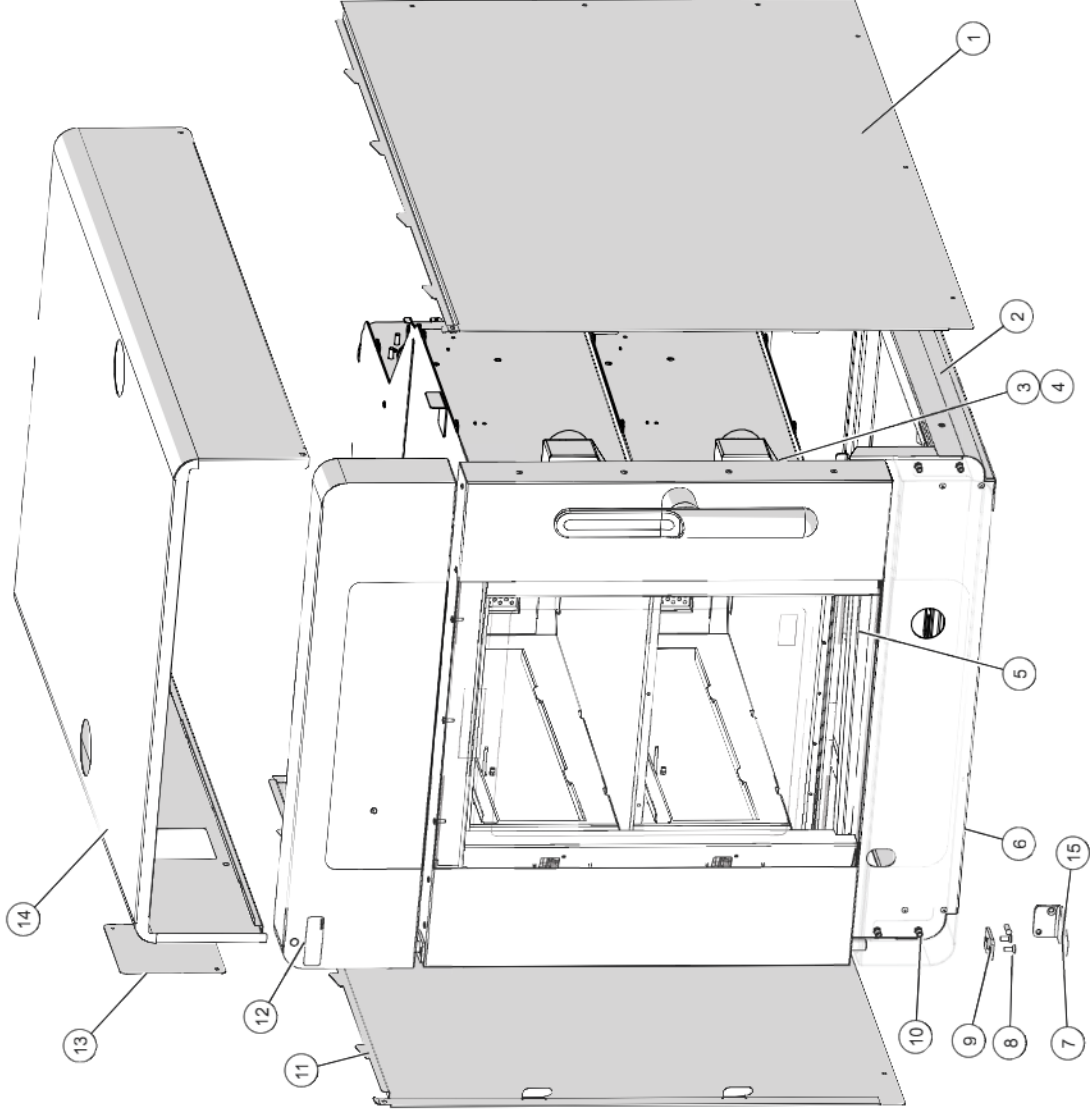
Exterior Package, Simple, CMC2, RH



ID	Part No.	Description
1	1034220	PANEL, SIDE, RIGHT.
2	5031244	PANEL BOTTOM, SIDE, LEFT, WELD
3	1037366	COVER, PLATE, PROBE OPENING.
4	NU-39180	NUT, M4-0.7 HEX FLG SERR CL.8 SS (x 8)
5	HG-39656	HINGE, PLATE, DOOR PIN
6	5030895	LOWER HINGE ASSY, RH
7	SC-46158	SCREW, M5x0.8X12MM FLAT
8	HG-39655	HINGE, PIN, DOOR, ADJUSTABLE
9	5029675	DRIP TRAY HOUSING ASSY
10	5031247	PANEL BOTTOM, SIDE, RIGHT, WELD
11	5031297	DOOR ASSY, OUTER, RH
12	1034221	PANEL, SIDE, LEFT.
13	5033039	ASM. CONTROL PANEL, SIMPLE
14	1034543	COVER, BREAKER, CONVERGE
15	5031254	PANEL, TOP, WELDMENT

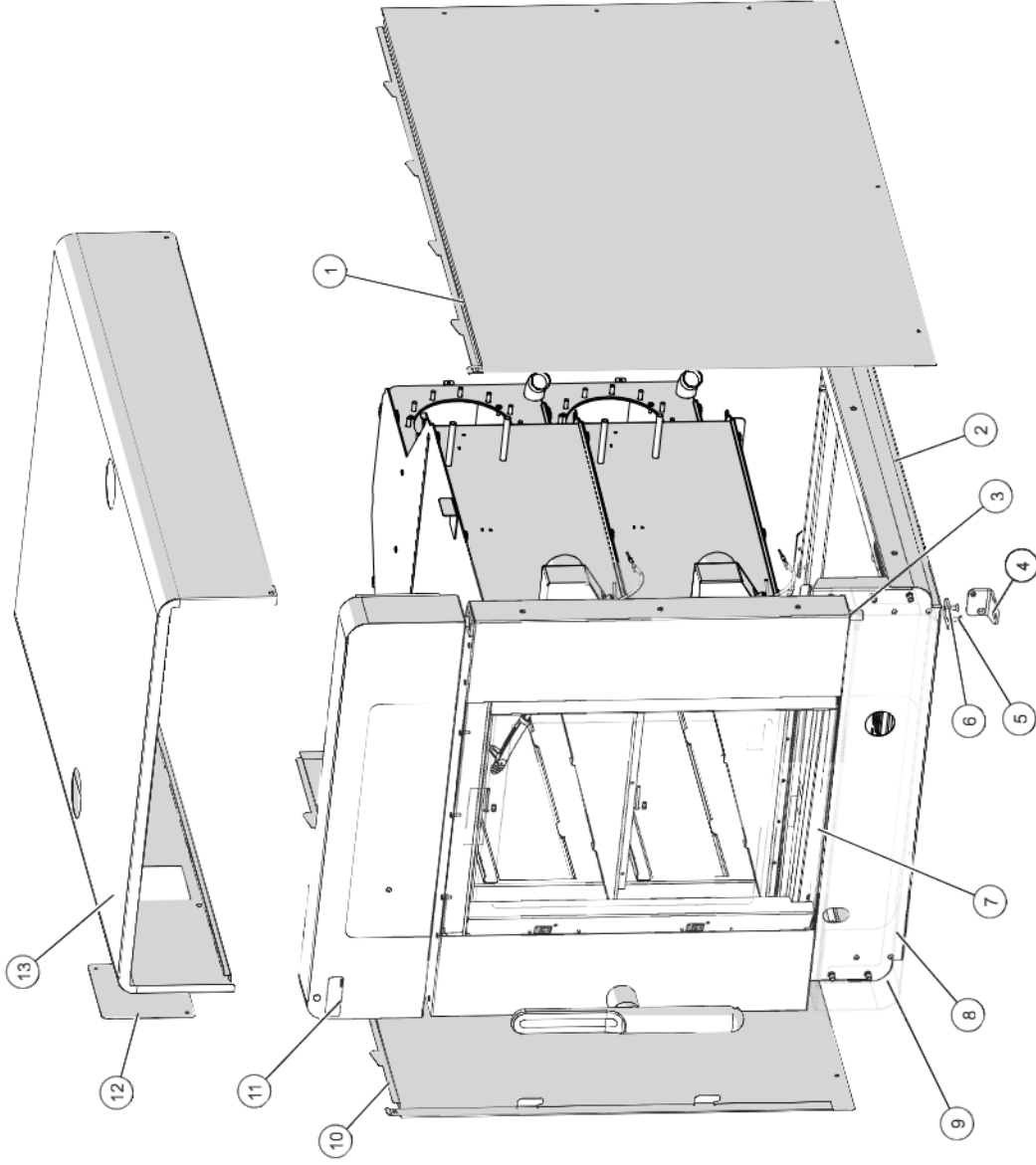
EXTERIOR PACKAGE, SIMPLE, CMC2, LH

Exterior Package, Simple, CMC2, LH



ID	Part No.	Description
1	1034220	PANEL, SIDE, RIGHT.
2	5031247	PANEL BOTTOM, SIDE, RIGHT
3	1037366	COVER, PLATE, PROBE OPENING.
4	NU-39180	NUT, M4-0.7 HEX FLG SERR CL8 SS (x 8)
5	5031276	DOOR ASSY, CMC2 LH
6	5029675	DRIP TRAY HOUSING ASSY
7	1031708	HINGE, LOWER DOOR
8	SC-46158	SCREW,M5x0.8X12MM FLAT
9	HG-39656	HINGE,PLATE,DOOR PIN
10	5031247	PANEL BOTTOM, SIDE, RIGHT,WELD
11	1034221	PANEL, SIDE, LEFT.
12	5033039	ASM, CONTROL PANEL, SIMPLE
13	1034543	COVER,BREAKER, CONVERGE
14	5031254	PANEL, TOP, WELDMENT
15	5029279	LOWER HINGE ASSY, CMC2/3 LH

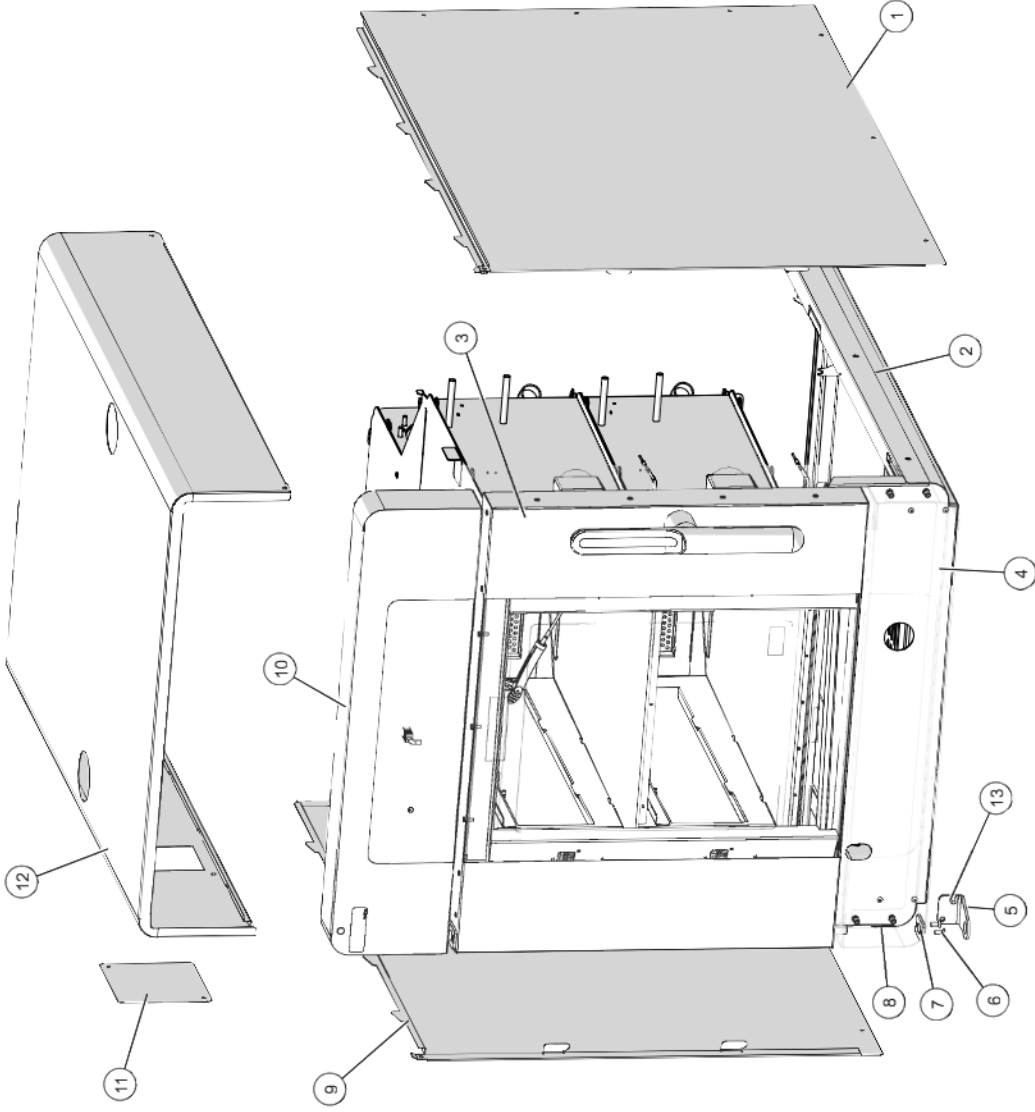
Exterior Package, Deluxe, CMC2, RH



ID	Part No.	Description
1	1034220	PANEL, SIDE, RIGHT.
2	5031244	PANEL BOTTOM, SIDE, LEFT, WELD
3	5030895	LOWER HINGE ASSY, RH
4	1033739	HINGE, LOWER DOOR, RH
5	SC-46158	SCREW,M5x0.8X12MM FLAT
6	HG-39656	HINGE,PLATE,DOOR PIN
7	5031284	DOOR ASSY, CMC2 RH
8	5029675	DRIP TRAY HOUSING ASSY
9	5031247	PANEL BOTTOM, SIDE, RIGHT,WELD
10	1034221	PANEL, SIDE, LEFT.
11	5031421	ASM, CONTROL PANEL, DELUXE
12	1034543	COVER, BREAKER, CONVERGE
13	5031254	PANEL, TOP, WELDMENT

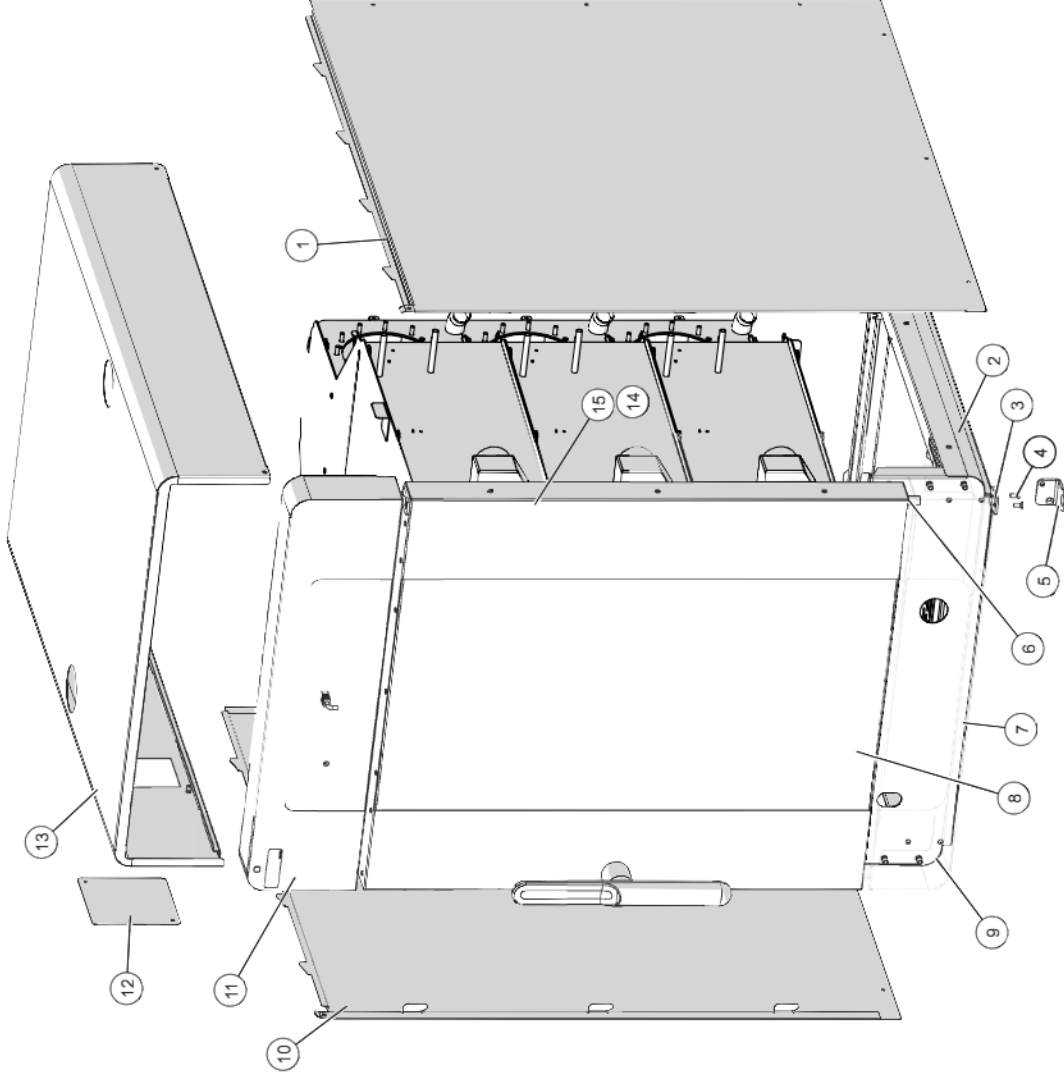
EXTERIOR PACKAGE, DELUXE, CMC2, LH

Exterior Package, Deluxe, CMC2, LH



ID	Part No.	Description
1	1034220	PANEL, SIDE, RIGHT,
2	5031247	PANEL BOTTOM, SIDE, RIGHT
3	5031276	DOOR ASSY, CMC2 LH
4	5029675	DRIP TRAY HOUSING ASSY
5	1031708	HINGE, LOWER DOOR
6	SC-46158	SCREW,M5x0.8X12MM FLAT
7	HG-39656	HINGE,PLATE,DOOR PIN
8	5031244	PANEL BOTTOM, SIDE, LEFT
9	1034221	PANEL, SIDE, LEFT,
10	5031421	ASM, CONTROL PANEL, DELUXE
11	1034543	COVER, BREAKER, CONVERGE
12	5031254	PANEL, TOP, WELDMENT
13	5029279	LOWER HINGE ASSY, CMC2/3 LH

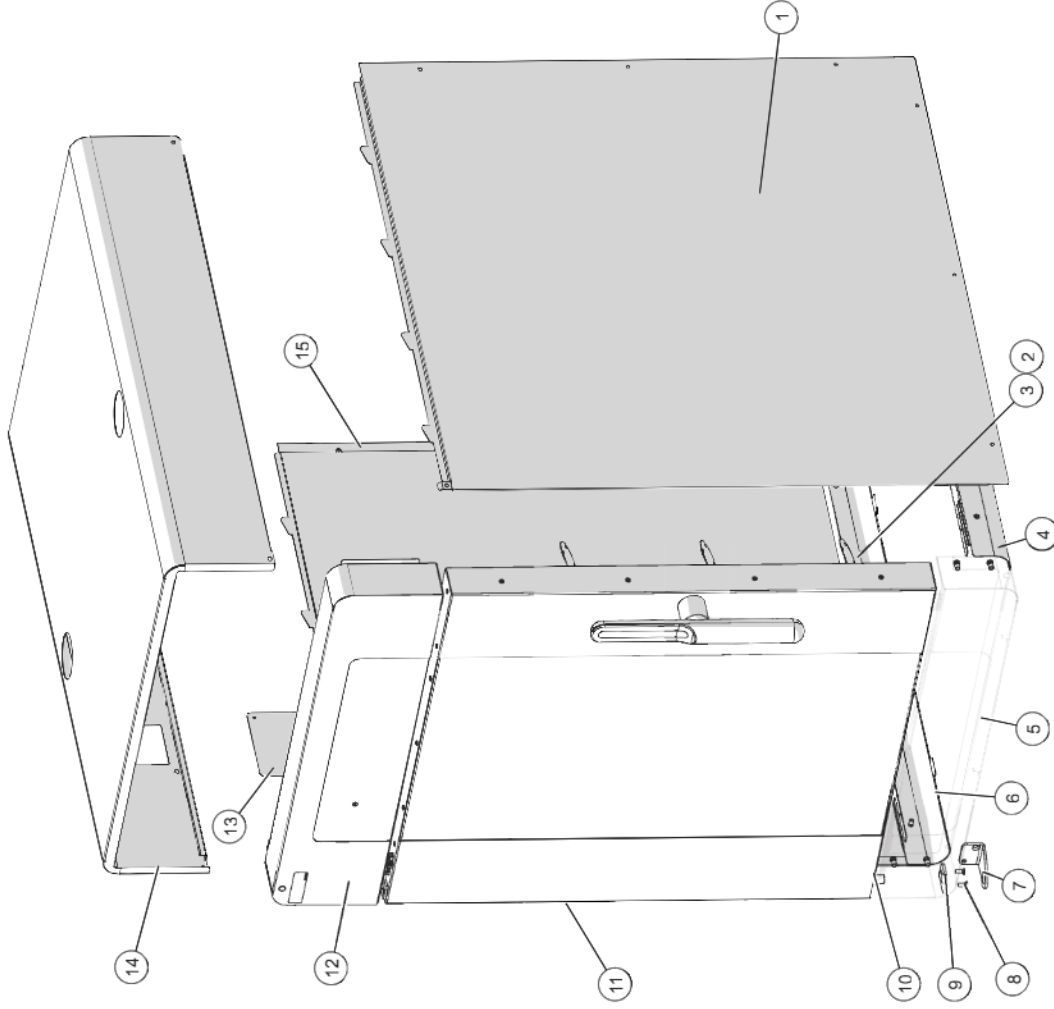
Exterior Package, Simple, CMC3, RH



ID	Part No.	Description
1	1031690	PANEL, SIDE, RIGHT,
2	5031247	PANEL BOTTOM, SIDE, RIGHT
3	HG-39656	HINGE, PLATE, DOOR PIN
4	SC-46158	SCREW, M5x0.8X12MM FLAT
5	1033739	HINGE, LOWER DOOR, RH
6	5030895	LOWER HINGE ASSY, RH
7	5029675	DRIP TRAY HOUSING ASSY
8	5030930	DOOR ASSY, CMC3 RH
9	5031244	PANEL BOTTOM, SIDE, LEFT
10	1031691	PANEL, SIDE, LEFT,
11	5033039	ASM, CONTROL PANEL, SIMPLE
12	1034543	COVER, BREAKER, CONVERGE
13	5031254	PANEL, TOP, WELDMENT
14	NU-39180	NUT, M4-0.7 HEX FLG SERR CL 8 SS (x 8)
15	1037366	COVER, PLATE, PROBE OPENING,

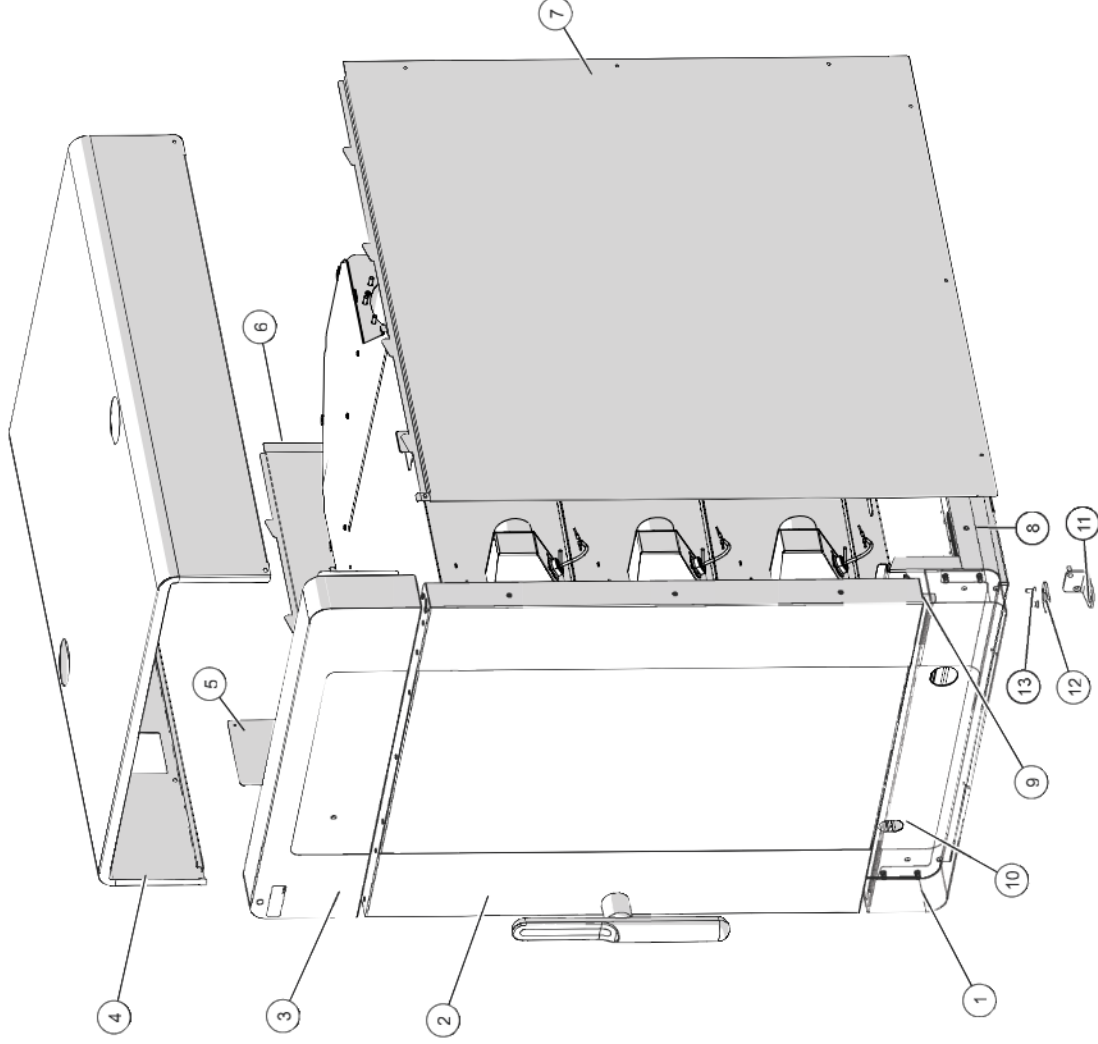
EXTERIOR PACKAGE, SIMPLE, CMC3, LH

Exterior Package, Simple, CMC3, LH



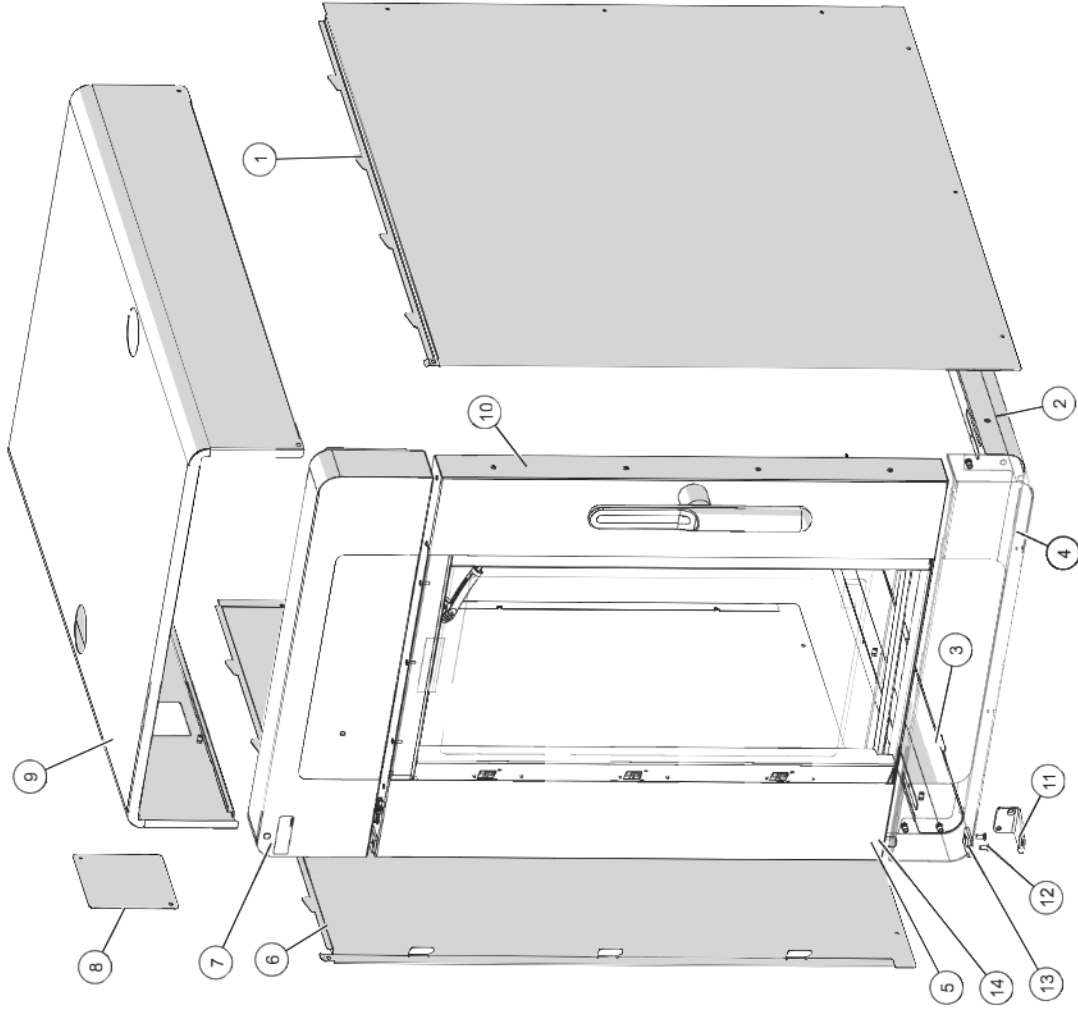
ID	Part No.	Description
1	1031690	PANEL, SIDE, RIGHT.
2	NU-39180	NUT, M4-0.7 HEX FLG SERR CL8 SS (x12)
3	1037366	COVER, PLATE, PROBE OPENING,
4	5031244	PANEL BOTTOM, SIDE, LEFT, WELD
5	5029675	DRIP TRAY HOUSING ASSY
6	5031247	PANEL BOTTOM, SIDE, RIGHT,WELD
7	1031708	HINGE, LOWER DOOR
8	SC-46158	SCREW,M5x0.8X12MM FLAT
9	HG-39656	HINGE,PLATE,DOOR PIN
10	5029279	LOWER HINGE ASSY,
11	5029256	DOOR ASSY, CMC3 LH
12	5033039	ASM. CONTROL PANEL, SIMPLE
13	1034543	COVER, BREAKER, CONVERGE
14	5031254	PANEL, TOP, WELDMENT
15	1031691	PANEL, SIDE, LEFT.

Exterior Package, Deluxe, CMC3, RH



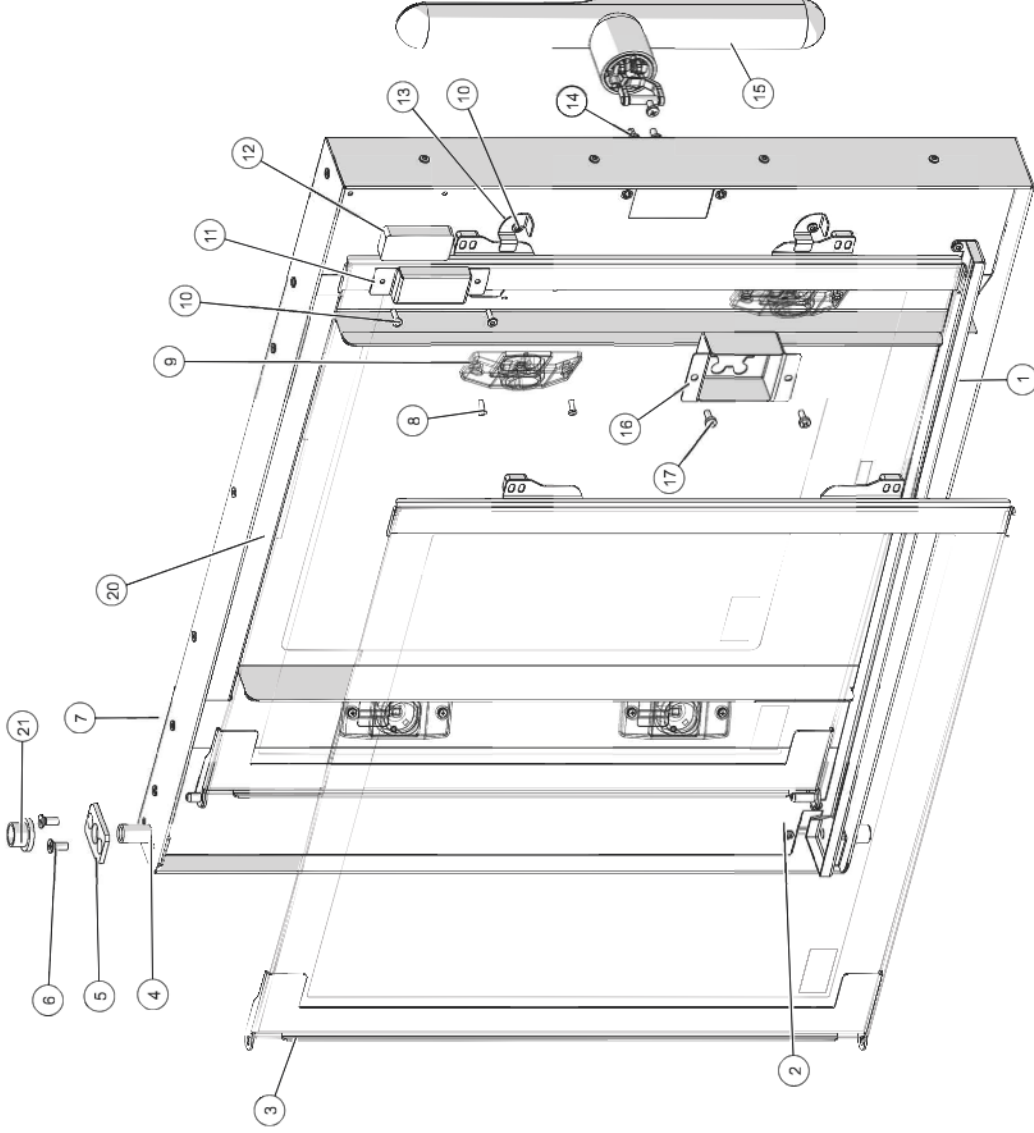
ID	Part No.	Description
1	5029675	DRIP TRAY HOUSING ASSY
2	5030930	DOOR ASSY, CMC3 RH
3	5031421	ASM. CONTROL PANEL, DELUXE
4	5031254	PANEL, TOP, WELDMENT
5	1034543	COVER, BREAKER, CONVERGE
6	1031691	PANEL, SIDE, LEFT,
7	1031690	PANEL, SIDE, RIGHT,
8	5031244	PANEL BOTTOM, SIDE, LEFT, WELD
9	5030895	LOWER HINGE ASSY, RH
10	5031247	PANEL BOTTOM, SIDE, RIGHT, WELD
11	1033739	HINGE, LOWER DOOR, RH
12	HG-39656	HINGE, PLATE, DOOR PIN
13	SC-46158	SCREW, M5x0.8X12MM FLAT

Exterior Package, Deluxe, CMC3, LH



ID	Part No.	Description
1	1031690	PANEL, SIDE, RIGHT,
2	5031247	PANEL BOTTOM, SIDE, RIGHT
3	5031244	PANEL BOTTOM, SIDE, LEFT
4	5029675	DRIP TRAY HOUSING ASSY
5	5029279	LOWER HINGE ASSY,
6	1031691	PANEL, SIDE, LEFT,
7	5031421	ASM, CONTROL PANEL, DELUXE
8	1034543	COVER, BREAKER, CONVERGE
9	5031254	PANEL, TOP, WELDMENT
10	5029256	DOOR ASSY, CMC3 LH
11	1031708	HINGE, LOWER DOOR
12	SC-46158	SCREW, M5x0.8X12MM FLAT
13	HG-39656	HINGE, PLATE, DOOR PIN
14	HG-39655	HINGE, PIN, DOOR, ADJUSTABLE

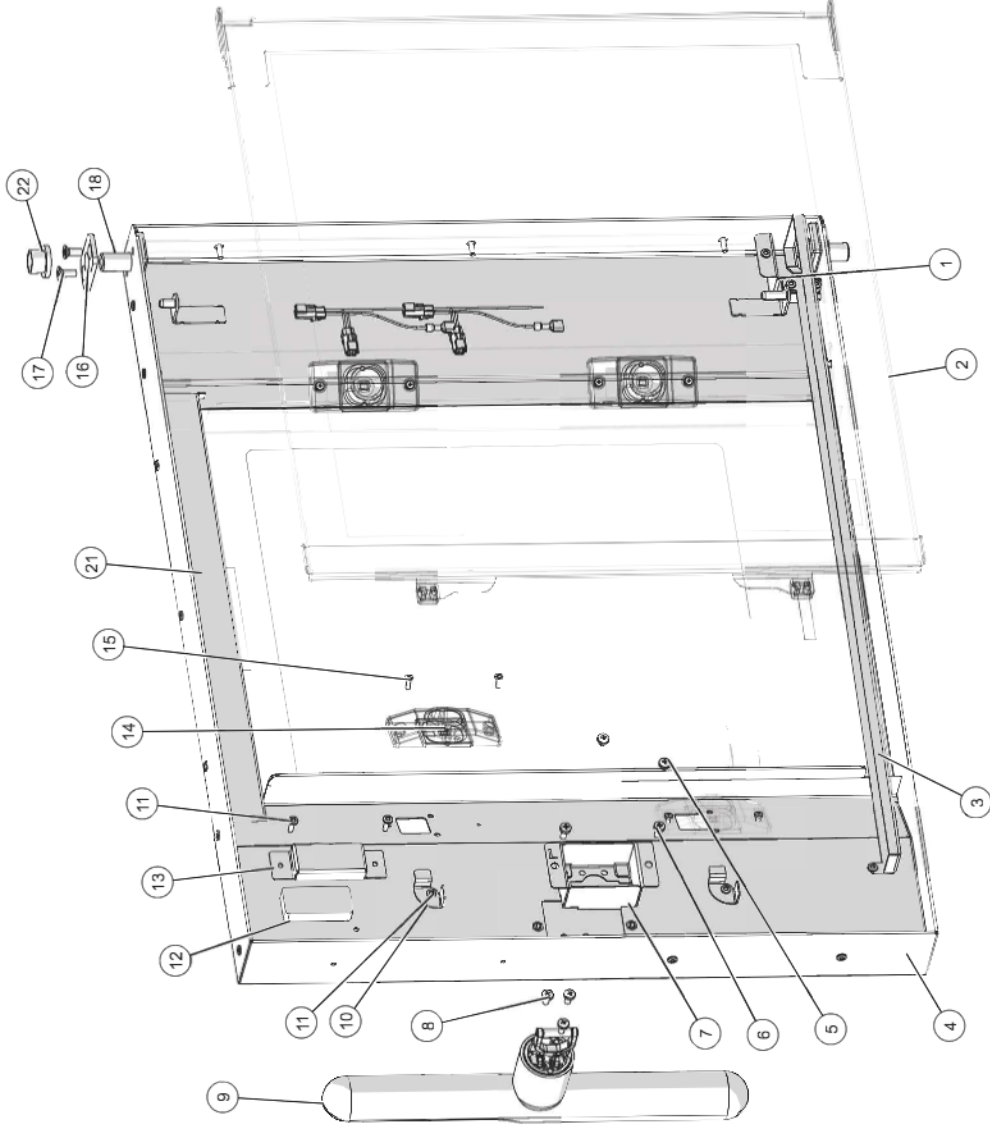
Door Assembly, CMC2 RH



ID	Part No.	Description
1	5030908	DOOR, DRIP TRAY WELD
2	1033762	COVER, BOTTOM HINGE, DOOR
3	5031299	INNER DOOR GLASS ASSY.
4	HG-39655	HINGE, PIN, DOOR, ADJUSTABLE
5	HG-39656	HINGE, PLATE, DOOR PIN
6	SC-46158	SCREW, M5X0.8X12MM FLAT x 4
7	5031297	DOOR ASSY, OUTER, RH
8	SC-22268	SCREW, M3X0.5X8MM PAN x 8
9	5028680	LIGHT, CABINET LED
10	RI-27108	RIVET, SEALED, 0.125" x 0.45"
11	1007699	COVER, MAGNET, INSIDE, SINGLE
12	MA-25734	MAGNET, DOOR, AR-7E, BLACK
13	1033775	CLIP, INNER DOOR GLASS
14	SC-46575	SCREW, M4 X 8MM, PHH x 3
15	HD-39557	HANDLE, PENDULUM, RH, W/LIGHT
16	1032072	BRACKET, DOOR HANDLE ACCESS
17	SC-22273	M4 X 6MM PH PAN HD M/S 18-8 x 2
18	CB-46433	CABLE HARNESS, CAVITY LIGHT, 66" (not shown)
19	CB-46902	CABLE HARNESS, HANDLE LIGHT, 70" (not shown)
20	1031669	COVER, DOOR CABLE RUNNER
21	BU-39572	BUSHING, DOOR HINGE

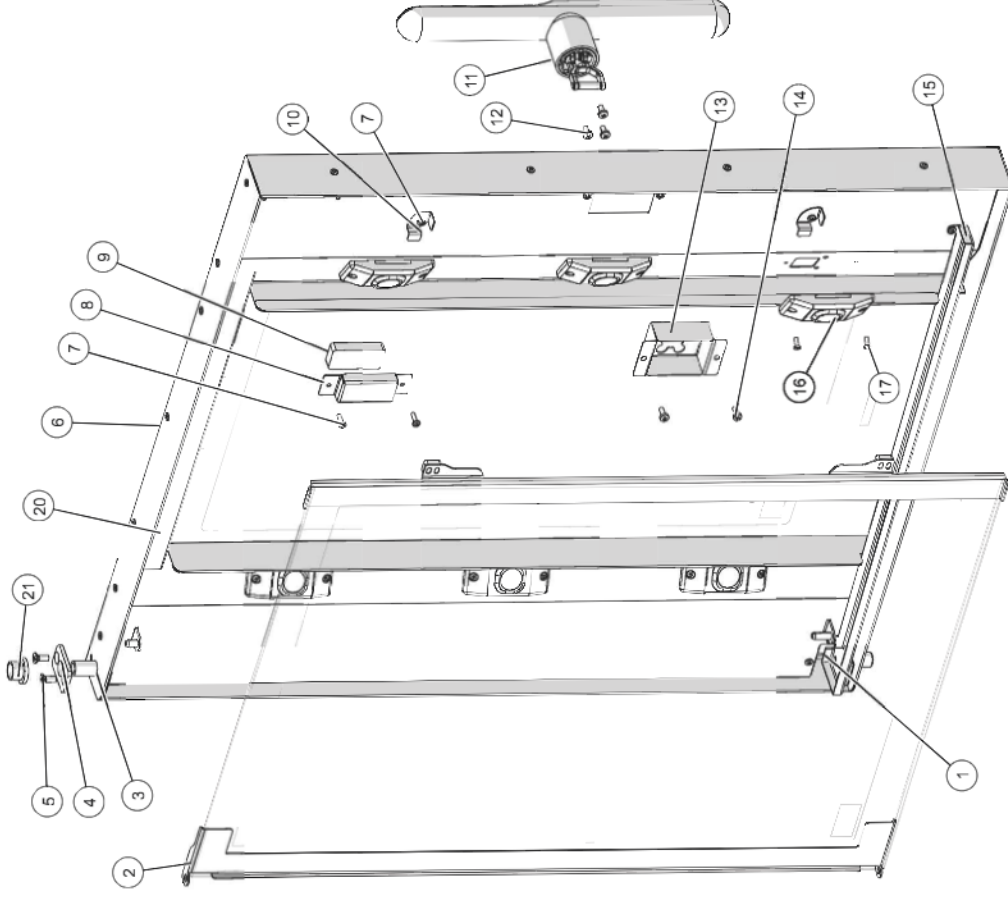
DOOR ASSEMBLY, CMC2 LH

Door Assembly, CMC2 LH



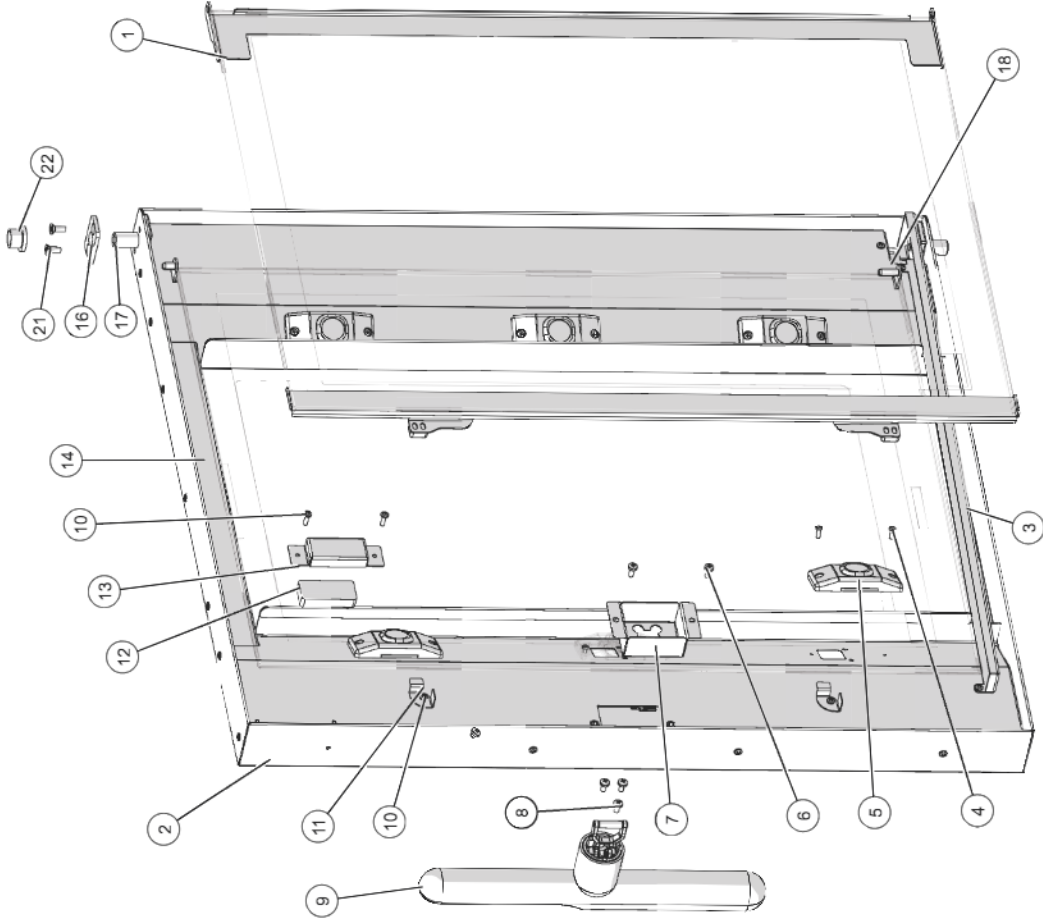
ID	Part No.	Description
1	1032167	COVER, BOTTOM HINGE, DOOR
2	5031300	INNER DOOR GLASS ASSY.
3	5029673	DOOR, DRIP TRAY WELD
4	5031301	DOOR ASSY, OUTER, LH
5	SC-37263	SCREW,M4x0.7X4MM PAN
6	SC-22273	M4 X 6MM PH PAN HD M/S 18-8 X 2
7	1037844	BRACKET, DOOR HANDLE ACCESS LH
8	SC-46575	SCREW, M4 X 8MM, PHH X 3
9	HD-39588	HANDLE, PENDULUM, LH, W/LIGHT
10	1030762	CLIP, INNER DOOR GLASS
11	RI-27108	RIVET, SEALED, 0.125" x 0.45"
12	MA-25734	MAGNET DOOR, AR-7E BLACK
13	1007699	COVER, MAGNET, INSIDE, SINGLE
14	5028680	LIGHT, CABINET LED
15	SC-22268	SCREW,M3x0.5X8MM PAN x 8
16	HG-39656	HINGE PLATE, DOOR PIN
17	SC-46158	SCREW,M5x0.8X12MM FLAT x 4
18	HG-39655	HINGE PIN, DOOR, ADJUSTABLE
19	CB-46182	CABLE HARNESS, HANDLE LIGHT,54" (not shown)
20	CB-46433	CABLE HARNESS, CAVITY LIGHT,66" (not shown)
21	1031669	COVER, DOOR CABLE RUNNER
22	BU-39572	BUSHING, DOOR HINGE

Door Assembly, CMC3 RH



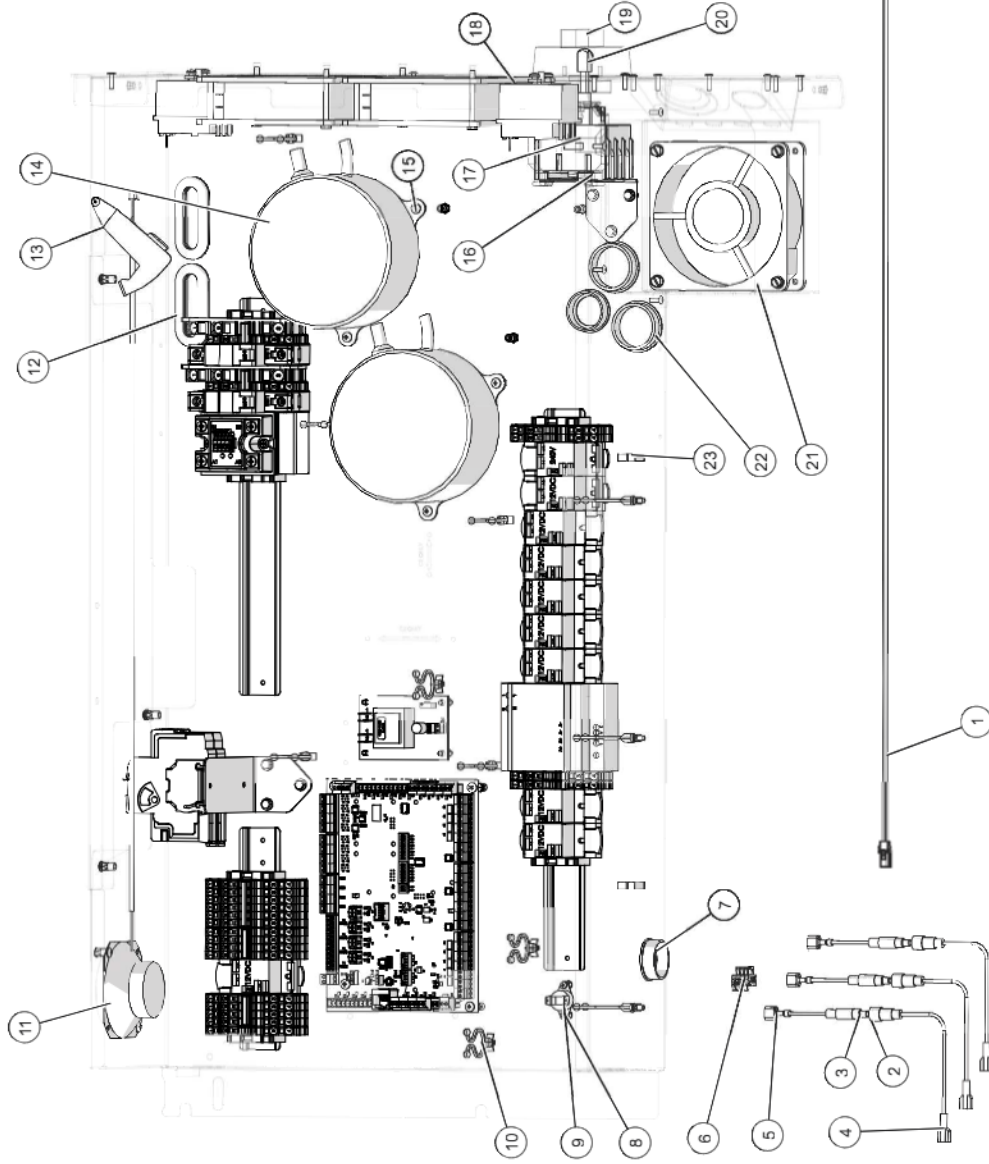
ID	Part No.	Description
1	1033762	COVER, BOTTOM HINGE, DOOR
2	5030918	INNER DOOR GLASS ASSY,
3	HG-39655	HINGE,PIN,DOOR,ADJUSTABLE
4	HG-39656	HINGE,PLATE,DOOR PIN
5	SC-46158	SCREW,M5X0.8X12MM FLAT x 4
6	5030912	DOOR ASSY, OUTER, RH
7	RI-27108	RIVET, SEALED, 0.125" x 0.45"
8	1007699	COVER, MAGNET, INSIDE, SINGLE
9	MA-25734	MAGNET, DOOR, AR-7E,BLACK
10	1033775	CLIP, INNER DOOR GLASS
11	HD-39557	HANDLE, PENDULUM, RH, W/LIGHT
12	SC-46575	SCREW, M4 X 8MM, PHH x 2
13	1032072	BRACKET, DOOR HANDLE ACCESS
14	SC-22273	M4 X 6MM PH PAN HD M/S 18-8 x 2
15	5030908	DOOR, DRIP TRAY WELD
16	5028680	LIGHT, CABINET LED
17	SC-22268	SCREW,M3X0.5X8MM PAN x 12
18	CB-46433	CABLE HARNESS,CAVITY LIGHT,66" (not shown)
19	CB-46902	CABLE HARNESS,HANDLE LIGHT,70" (not shown)
20	1031669	COVER, DOOR CABLE RUNNER
21	BU-39572	BUSHING, DOOR HINGE

Door Assembly, CMC3 LH



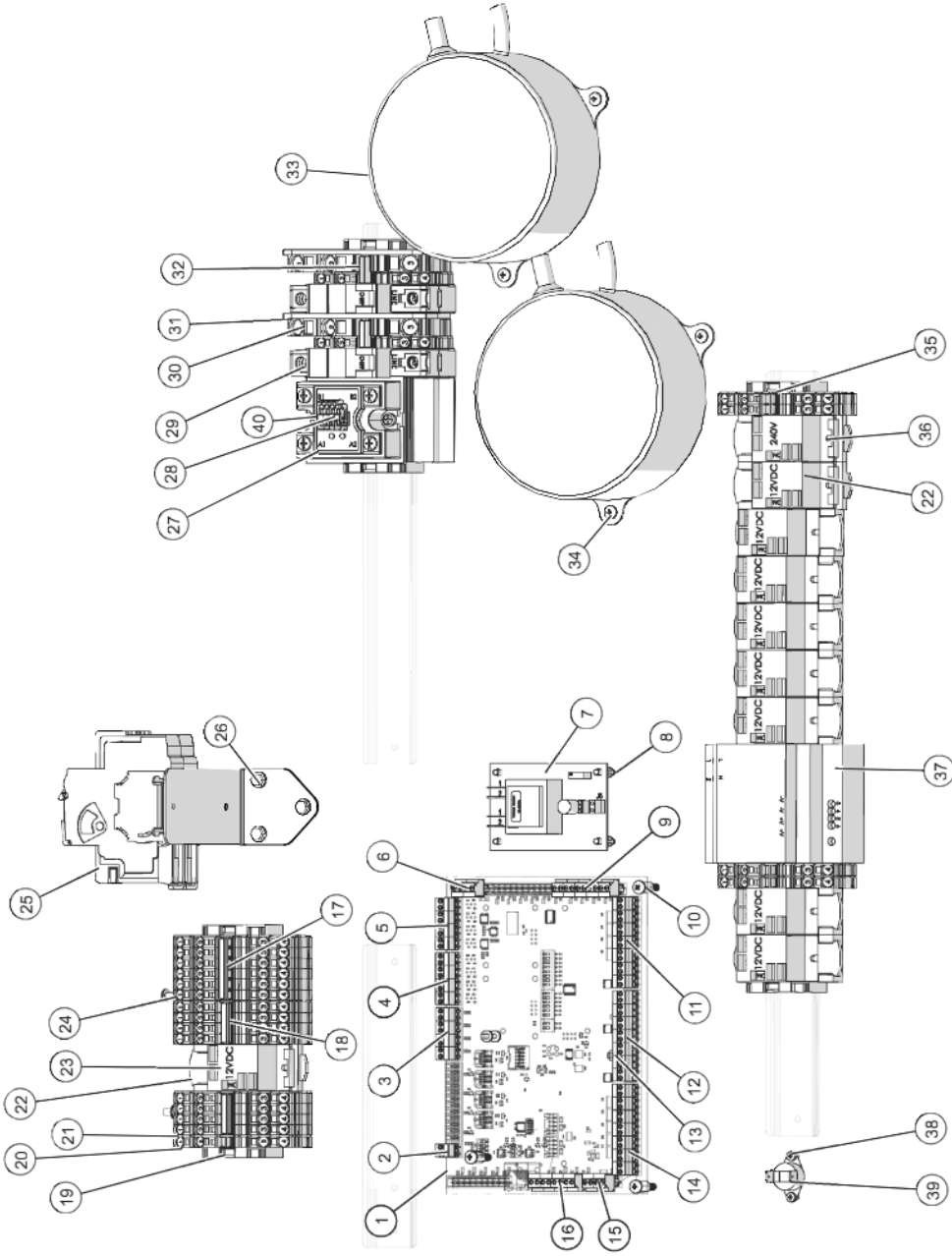
ID	Part No.	Description
1	5029257	INNER DOOR GLASS ASSY.
2	5029258	DOOR ASSY, OUTER, LH
3	1032168	PANEL, DOOR, DRIP TRAY
4	SC-22268	SCREW,M3X0.5X8MM PAN x 12
5	5028680	LIGHT, CABINET LED
6	SC-22273	M4 X 6MM PH PAN HD M/S 18-8 x 2
7	1032072	BRACKET, DOOR HANDLE ACCESS
8	SC-49575	SCREW, M4 X 8MM, PHH x 3
9	HD-39588	HANDLE, PENDULUM, LH, W/LIGHT
10	RI-27108	RIVET, SEALED, 0.125" x 0.45"
11	1030762	CLIP, INNER DOOR GLASS
12	MA-25734	MAGNET, DOOR, AR-7E,BLACK
13	1007699	COVER, MAGNET, INSIDE, SINGLE
14	1031669	COVER, DOOR CABLE RUNNER
15	HG-39656	HINGE,PLATE,DOOR PIN
16	HG-39655	HINGE,PIN,DOOR,ADJUSTABLE
17	1032167	COVER, BOTTOM HINGE, DOOR
18	CB-46182	CABLE HARNESS,HANDLE LIGHT,54" (not shown)
19	CB-46433	CABLE HARNESS,CAVITY LIGHT,66" (not shown)
20	SC-49158	SCREW,M5X0.8X12MM FLAT x 4
21	BU-39572	BUSHING, DOOR HINGE
22		

Voltage Package, CMC2, 208/240V 1PH



ID	Part No.	Description
1	CB-47046	CABLE HARNESS,B3 EXTENSION,66"
2	FU-36762	IN-LINE FUSE HOLDER, 5X20MM 150 SERIES
3	FU-46554	FUSE, 630mA, 250V,FAST ACTING,
4	CR-33509	CONNECTOR, QUICK DISCONNECT
5	CR-34639	CONNECTOR, QUICK DISCONNECT
6	TM-34881	TERMINAL, 3.5MM PLUGGABLE, 4 POLE
7	BU-37626	1-1/4" SNAP BUSHING
8	SC-22266	SCREW,M3x0.5X6MM PAN
9	TT-37680	THERMOSTAT,AUTO RESET,
10	TI-35719	TIE, TWIST LOCK 0.5" STANDOFF
11	BZ-39711	BUZZER, SPEAKER, W/24" CABLE
12	GS-46746	GROMMET, WIRE, 1-3/8"IDX2"OD
13	1031935	BRACKET, STOP, TOP,
14	BA-46884R	DRIVE, 208-240V TELCO,FLY LEAD
15	SC-38283	SCREW, M4 x .7 x 6mm
16	SW-37630	POWER SWITCH,DISCONNECT 60A
17	TM-47500	TERMINAL, GROUND, 16MM, 800V
18	TT-46376	THERMAL CUTOFF, MECHANICAL,
19	KN-37667	Knob,Power,Included w/Switch
20	LK-37670	SHAFT,2" DISCONNECT SWITCH
21	FA-36957	FAN,230V,MECHATRONICS,HI-TEMP
22	BU-3013	BUSHING,SNAP,1 1/2"
23	CL-38422	RETAINER,WIRE,SQUARE,PUSH IN

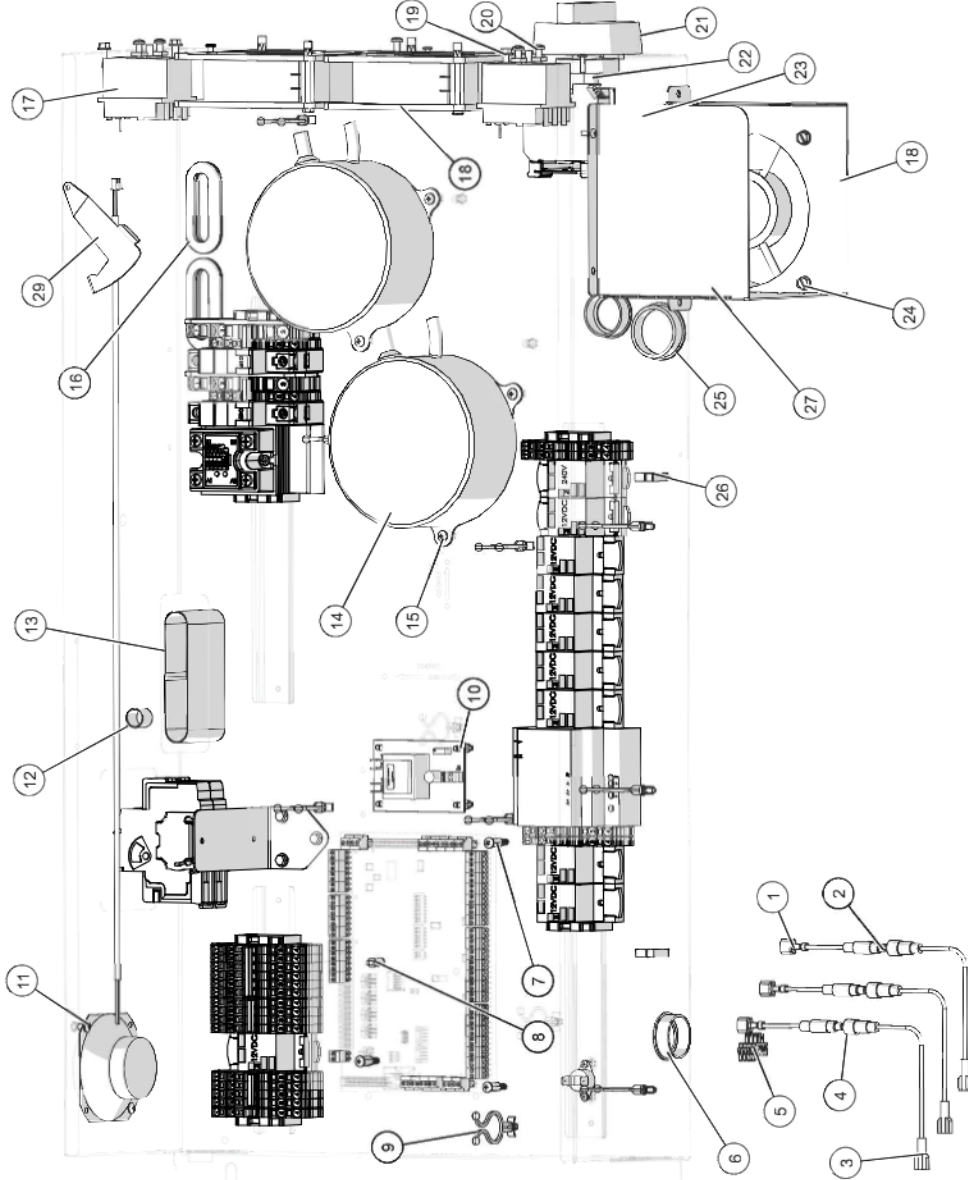
Board and Terminal Details, CMC2, 208/240V 1PH



ID	Part No.	Description	Qty
1	CC-47035	CTRL. BOARD,COMBI,W/FRMWARE	1
2	CR-46950	CONNECTOR, 2 POS, BLUE	1
3	CR-46948	CONNECTOR, 8 POS, GREEN	1
4	CR-46947	CONNECTOR, 8 POS, BLUE	1
5	CR-46946	CONNECTOR, 8 POS, BLACK	1
6	CR-46954	CONNECTOR, 4 POS, WHITE	1
7	BA-33764	BOARD ASSB,VOLTAGE MONITOR	1
8	SP-39372	SPACER, LOCK-IN SUPPT	4
9	CR-46956	CONNECTOR, 10 POS, BLACK	4
10	SP-39373	SPACER, MIF HEX STANDOFF 6MM	4
11	CR-46953	CONNECTOR, 14 POS, BLACK	1
12	CR-46951	CONNECTOR, 14 POS, BLUE	1
13	SP-47062	SPACER, SNAP-LOCK, 12MM LG	2
14	CR-46952	CONNECTOR, 14 POS, GREEN	1
15	CR-46955	CONNECTOR, 4 POS, BLUE	1
16	CR-46959	CONNECTOR, 8 POS, ORANGE	1
17	TM-46073	JUMPER, 8 POLE	1
18	TM-39563	JUMPER, 4 POLE	2
19	TM-39606	TERMINAL, SCREWLESS END	8
20	TM-39578	TERMINAL, GROUND, 6mm, SPRING	1
21	TM-39575	TERMINAL, 6mm, BLUE, SPRING	9
22	TM-37674	T BLOCK, RELAY MOUNT	10
23	RE-37704	RELAY, 12VDC	9
24	TM-39574	TERMINAL, 6mm, ORANGE, SPRING	11
25	FU-39058	CIRCUIT BREAKER, 20A	2
26	SC-39147	SCREW, 8-18 X .480 HEX WASHER	3
27	RL-39554	RELAY SOLID STATE DUAL, 50A	1
28	TM-34881	TERMINAL, 3.5MM PLUGGABLE, 4 POLE	1
29	FU-46811	CIRCUIT BREAKER, 25A	2
30	TM-37660	TERMINAL, 10mm, ORANGE, SPRING	2
31	TM-37728	TERMINAL, 10MM, END	2
32	TM-46968	JUMPER, TERMINAL BLOCK	2
33	BA-46884	DRIVE, 208-240V TELCO FLY LEAD	2
34	SC-38283	SCREW, M4 x 7 x 6mm	10
35	TM-39576	TERMINAL, END SECTION, SPRING	9
36	RE-37725	RELAY, 240V AC	1
37	BA-46801	POWER SUPPLY, 12VDC, 100W	1
38	SC-22286	SCREW M3x0.5x6MM PAN	2
39	TT-37680	THERMOSTAT, AUTO RESET	1
40	SC-37702	SCREW, M4 X 12MM SEMS	2

VOLTAGE PACKAGE, CMC2, 208/240V 3PH

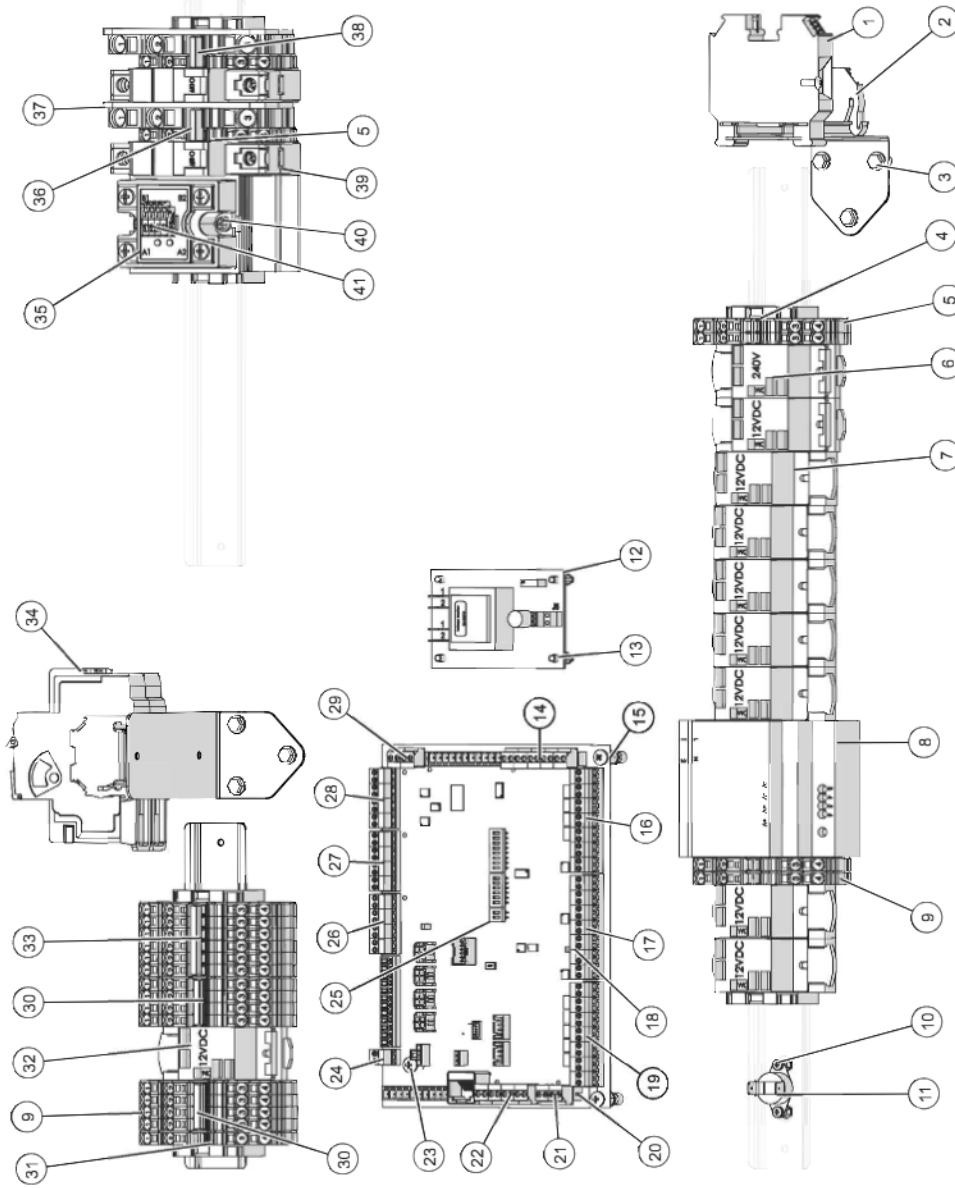
Voltage Package, CMC2, 208/240V 3PH



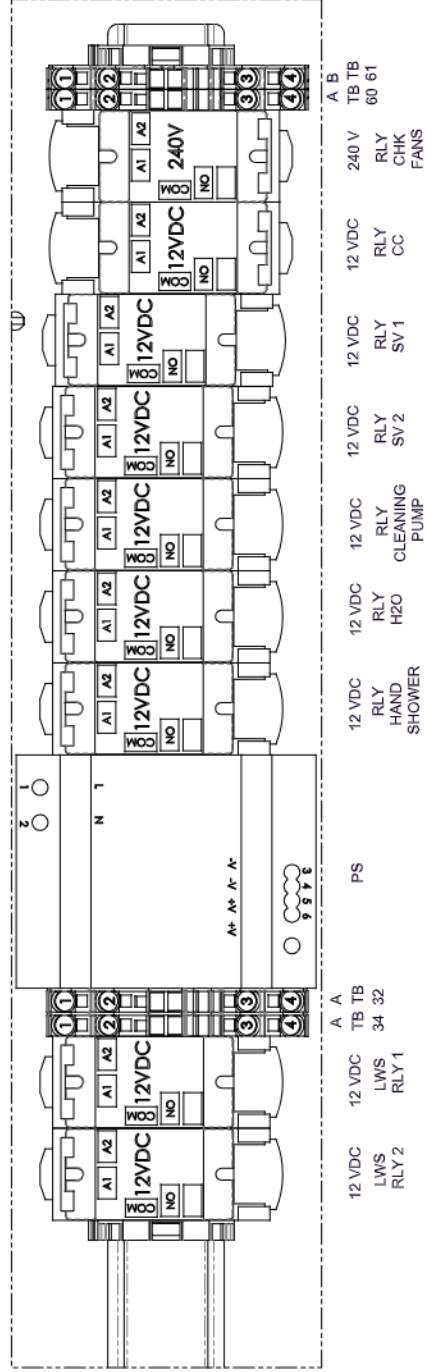
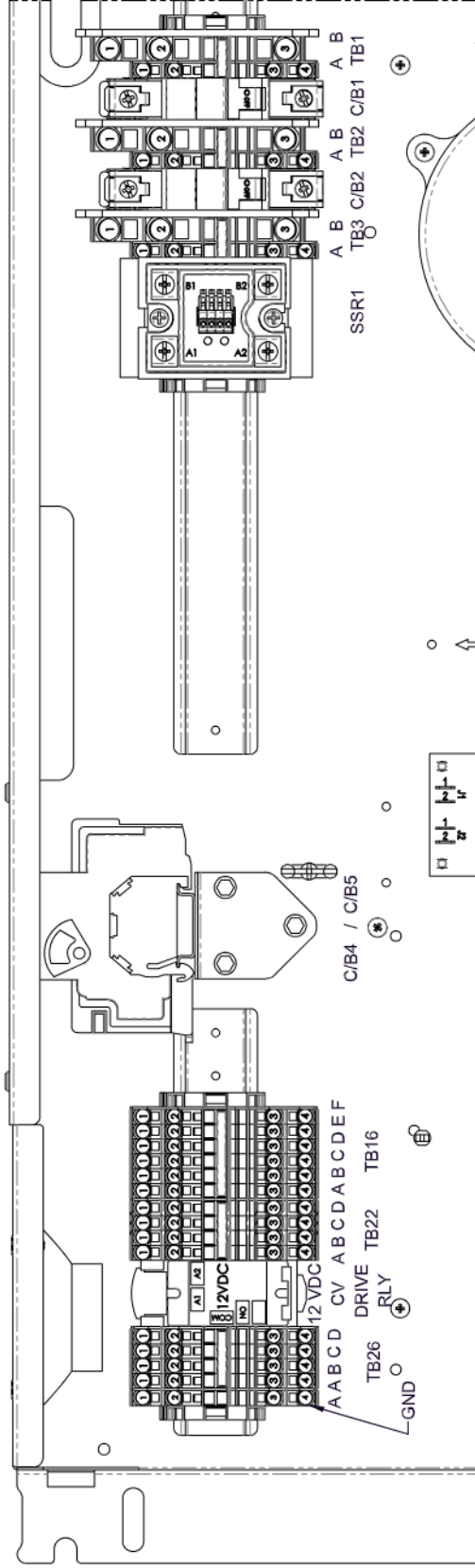
ID	Part No.	Description	Qty
1	CR-34639	CONNECTOR, QUICK DISCON, MALE	3
2	FL-46554	FUSE, 630mA, 250V/FAST ACTING	3
3	CR-33509	CONNECTOR, QUICK DISCON, FEMALE	3
4	FL-36762	IN-LINE FUSE HOLDER, 5X20MM 150 SER	3
5	TM-34881	TERMINAL, 3.5MM PLUGGABLE, 4 POLE	1
6	BU-37626	1-1/4" SNAP BUSHING	2
7	SP-39373	SPACER, M/F HEX STANDOFF 6MM	4
8	SP-47062	SPACER, SNAP-LOCK, 12MM LG	2
9	TI-35719	TIE, TWIST LOCK 0.5" STANDOFF	11
10	SP-39372	SPACER, LOCK-IN SUPPRT	4
11	BZ-39711	BUZZER, SPEAKER, W/24" CABLE	1
12	CP-47075	CAP. FOR 1/2" TO 9/16" OD HOSE	1
13	TA-38589	LINERLESS SPLICING TAPE, 7" LG	1
14	BA-46984R	DRIVE, 208-240V TELCO, FLY LEAD	2
15	SC-38283	SCREW, M4 X .7 X 6mm	12
16	GS-46746	GROMMET, WIRE, 1-3/8" ID X 2" OD	2
17	TT-46376	THERMAL CUTOFF, MECHANICAL	2
18	FA-36957	FAN, 230V, MECHATRONICS, HI-TEMP	3
19	SC-39147	SCREW, 8-18 X .480 HEX WASHER	4
20	SC-22273	SCREW, M4 X 0.7 X 10MM PAN	6
21	KN-37667	KNOB, POWER, INCLUDED W/SWITCH	1
22	LK-37670	SHAFT, 2" DISCONNECT, SWITCH	1
23	SW-37630	POWER SWITCH, DISCONNECT 60A	1
24	SC-26620	SCREW, #10 X 1/2 SMS HEX HEAD SLOT	4
25	BU-3013	BUSHING, SNAP, 1 1/2"	2
26	CL-38422	PUSH IN WIRE RETAINER	2
27	1032183	FAN MOUNT, MOTORS	1
29	1031935	BRACKET, STOP, TOP	1

Board and Terminal Details, CMC2, 208/240V 3PH

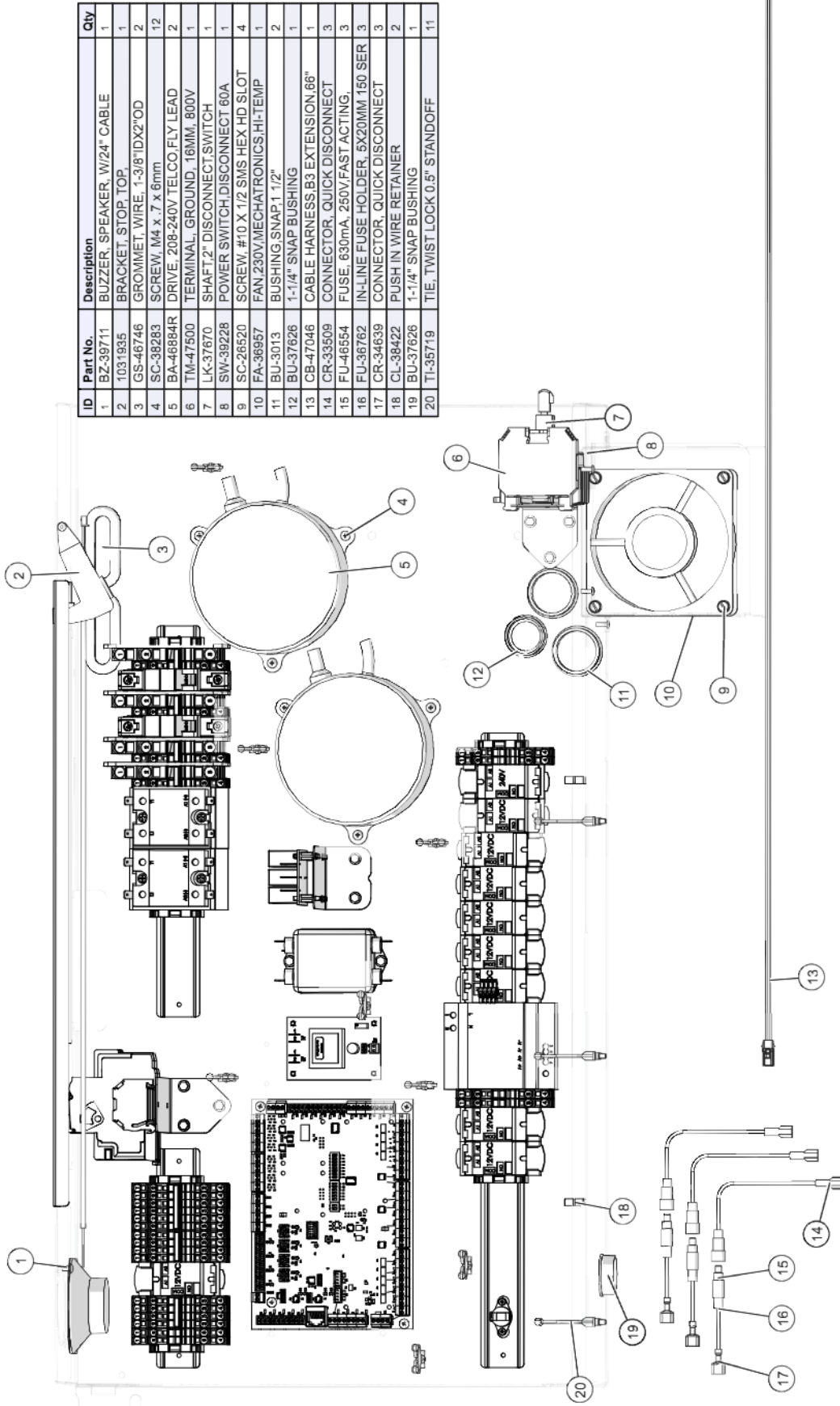
ID	Part No.	Description	Qty
1	TM-47500	TERMINAL, GROUND, 16MM, 800V	1
2	TM-39606	TERMINAL, SCREWLESS END	9
3	SC-39147	SCREW, 8-18 X .480 HEX WASHER	8
4	TM-39576	TERMINAL, END SECTION, SPRING	9
5	TM-39574	TERMINAL, 6mm, ORANGE, SPRING	11
6	RE-37725	RELAY, 240V/AC	1
7	RE-37704	RELAY, 12VDC	9
8	BA-46801	POWER SUPPLY, 12VDC, 100W	1
9	TM-39575	TERMINAL, 6mm, BLUE, SPRING	9
10	SC-22266	SCREW, M9X0.5X6MM PAN	2
11	TT-37680	THERMOSTAT/AUTO RESET	1
12	BA-33764	BOARD, ASSB, VOLTAGE MONITOR	1
13	SP-39372	SPACER, LOCK-IN SUPPRT	4
14	CR-46956	CONNECTOR, 10 POS, BLACK	1
15	SP-39373	SPACER, M/F HEX STANDOFF 6MM	4
16	CR-46953	CONNECTOR, 14 POS, BLACK	1
17	CR-46951	CONNECTOR, 14 POS, BLUE	1
18	SP-47062	SPACER, SNAP-LOCK, 12MM LG	2
19	CR-46952	CONNECTOR, 14 POS, GREEN	1
20	CC-47035	CONTROL BOARD COMBI/W/FIRMWARE	1
21	CR-46955	CONNECTOR, 4 POS, BLUE	1
22	CR-46959	CONNECTOR, 8 POS, ORANGE	1
23	SC-39283	SCREW, M4 X 7 X 6mm	4
24	CR-46950	CONNECTOR, 2 POS, BLUE	1
25	BA-46624	COMBI, MULTI COOK CONTROL	1
26	CR-46948	CONNECTOR, 8 POS, GREEN	1
27	CR-46947	CONNECTOR, 8 POS, BLUE	1
28	CR-46946	CONNECTOR, 8 POS, BLACK	1
29	CR-46954	CONNECTOR, 4 POS, WHITE	1
30	TM-39583	JUMPER, 4 POLE	2
31	TM-39579	TERMINAL, GROUND, 6mm, SPRING	1
32	TM-37674	T BLOCK, RELAY MOUNT	10
33	TM-46073	JUMPER, 6 POLE	1
34	FU-39058	CIRCUIT BREAKER, 20A	2
35	RL-39554	RELAY SOLID STATE DUAL 50A	1
36	TM-46989	JUMPER, TERMINAL BLOCK	2
37	TM-37726	TERMINAL, 10MM END	2
38	TM-46811	TERMINAL, 10mm, ORANGE, SPRING	2
39	FU-46811	CIRCUIT BREAKER, 25A	2
40	SC-37702	SCREW, M4 X 12MM SEMS	2
41	TM-34881	TERMINAL, 3.5MM PLUGGABLE, 4 POLE	1



Terminal ID, CMC2, 208/240V 3PH



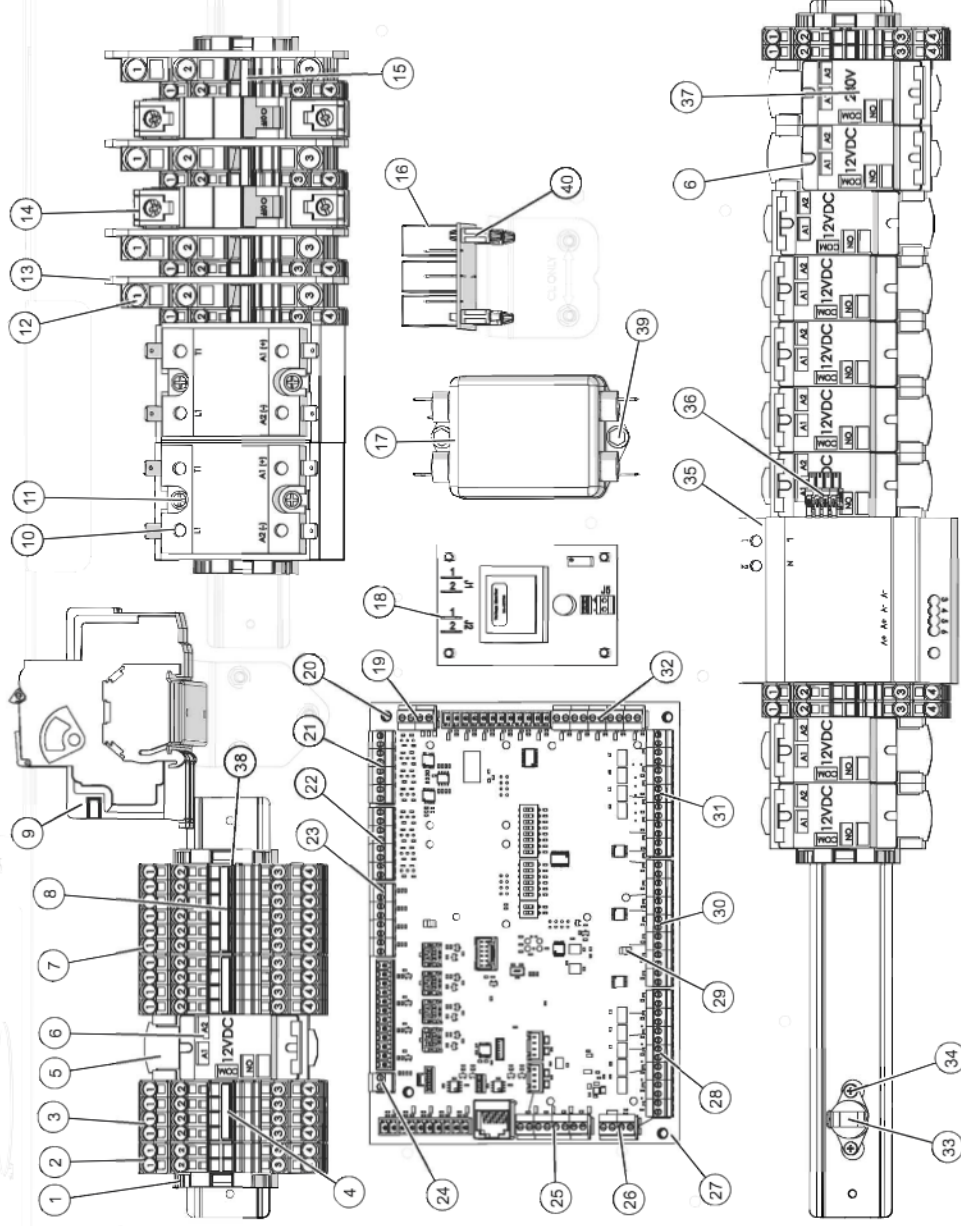
Voltage Package, CMC2, 380/415V 3PH



ID	Part No.	Description	Qty
1	BZ-39711	BUZZER, SPEAKER, W/24" CABLE	1
2	1031935	BRACKET, STOR. TOP	1
3	GS-46746	GROMMET, WIRE, 1-3/8"IDX2"OD	2
4	SC-38283	SCREW, M4 x .7 x 6mm	12
5	BA-46894R	DRIVE, 208-240V TELCO FLY LEAD	2
6	TM-47500	TERMINAL, GROUND, 16MM, 800V	1
7	LK-37670	SHAFT 2" DISCONNECT SWITCH	1
8	SW-39228	POWER SWITCH, DISCONNECT 60A	1
9	SC-26520	SCREW #10 X 1/2 SMS HEX HD SLOT	4
10	FA-36957	FAN 230V, MECHATRONICS, HI-TEMP	1
11	BU-3013	BUSHING SNAP 1 1/2"	2
12	BU-37626	1-1/4" SNAP BUSHING	1
13	CB-47046	CABLE HARNESS, B3 EXTENSION, 66"	1
14	CR-33509	CONNECTOR, QUICK DISCONNECT	3
15	FU-46554	FUSE, 630mA, 250V, FAST ACTING	3
16	FU-36762	IN-LINE FUSE HOLDER, 5X20MM 150 SER	3
17	CR-34639	CONNECTOR, QUICK DISCONNECT	3
18	CL-38422	PUSH IN WIRE RETAINER	2
19	BU-37626	1-1/4" SNAP BUSHING	1
20	TI-35719	TIE, TWIST LOCK 0.5" STANDOFF	11

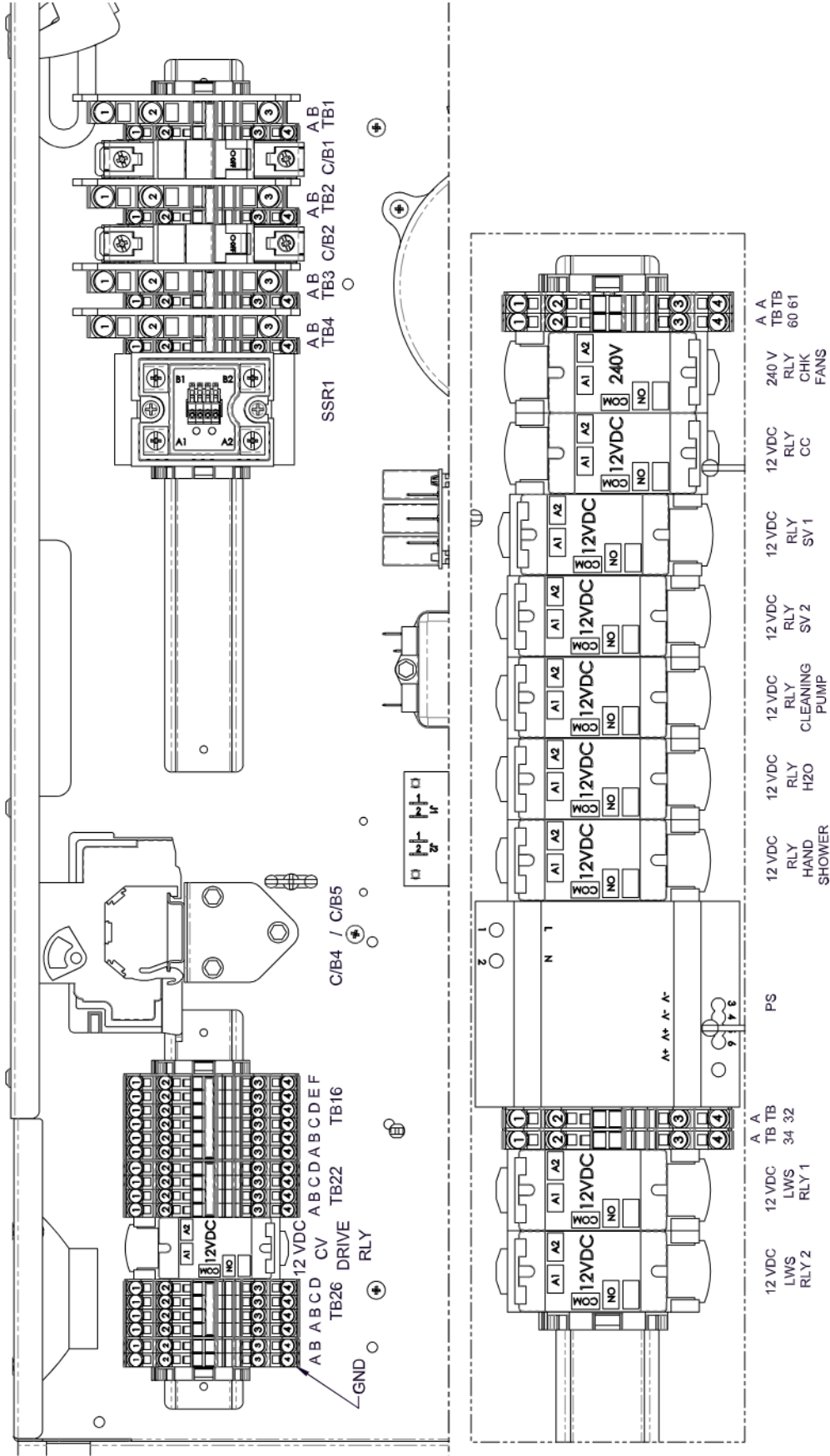
BOARD AND TERMINAL DETAILS, CMC2, 380/415V 3PH

Board and Terminal Details, CMC2, 380/415V 3PH



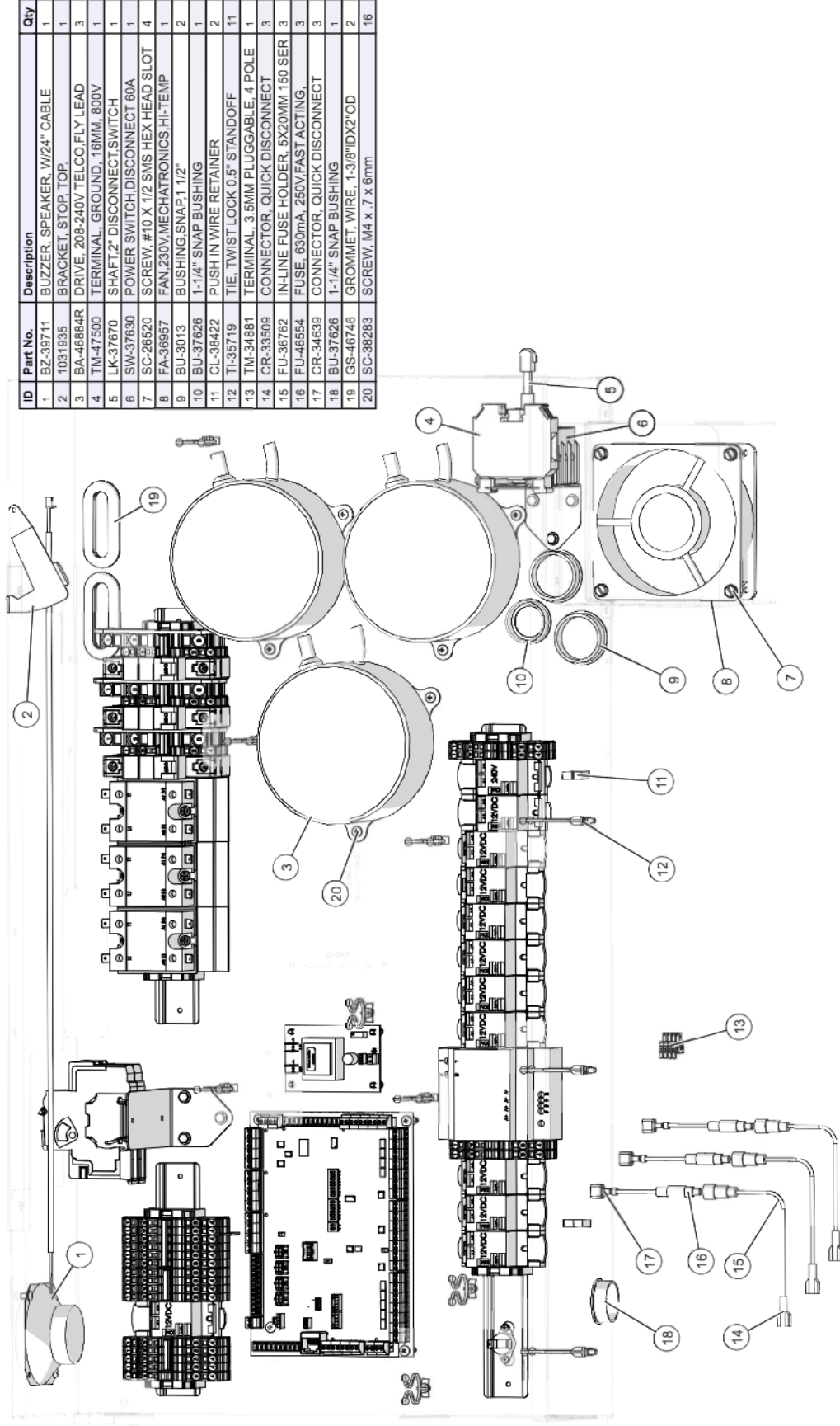
ID	Part No.	Description	Qty
1	TM-39606	TERMINAL, SCREWLESS END	8
2	TM-39579	TERMINAL, GROUND, 6mm, SPRING	2
3	TM-39575	TERMINAL, 6mm, BLUE, SPRING	9
4	TM-39583	JUMPER, 4 POLE	2
5	TM-37674	T BLOCK, RELAY MOUNT	10
6	RE-37704	RELAY, 12VDC	9
7	TM-39574	TERMINAL, 6mm, ORANGE, SPRING	13
8	TM-46073	JUMPER, 6 POLE	1
9	FU-39058	CIRCUIT BREAKER, 20A	2
10	RL-39829	RELAY, SOLID STATE, 230V, 25A	2
11	SC-37702	SCREW, M4 X 12MM SEMS	4
12	TM-37680	TERMINAL, 10mm, ORANGE, SPRING	4
13	TM-37726	TERMINAL, 10MM, END	4
14	FU-46811	CIRCUIT BREAKER, 25A	2
15	TM-46989	JUMPER, TERMINAL BLOCK	4
16	BA-39285	WYE/CAPACITOR	1
17	FI-39226	FILTER, RFI POWER LINE	1
18	BA-33764	BOARD, ASSB, VOLTAGE MONITOR	1
19	CR-46954	CONNECTOR, 4 POS, WHITE	1
20	SP-39373	SPACER, M/F HEX STANDOFF 6MM	4
21	CR-46946	CONNECTOR, 8 POS, BLACK	1
22	CR-46947	CONNECTOR, 8 POS, BLUE	1
23	CR-46948	CONNECTOR, 8 POS, GREEN	1
24	CR-46950	CONNECTOR, 2 POS, BLUE	1
25	CR-46959	CONNECTOR, 8 POS, ORANGE	1
26	CR-46955	CONNECTOR, 4 POS, BLUE	1
27	CC-47035	CONTROL BOARD, COMBI, W/FIRM,	1
28	CR-46952	CONNECTOR, 14 POS, GREEN	1
29	SP-47082	SPACER, SNAP-LOCK, 12MM LG	2
30	CR-46951	CONNECTOR, 14 POS, BLUE	1
31	CR-46953	CONNECTOR, 14 POS, BLACK	1
32	CR-46956	CONNECTOR, 10 POS, BLACK	1
33	TT-37680	THERMOSTAT, AUTO RESET,	1
34	SC-22266	SCREW, M3X0.5X6MM PAN	2
35	BA-46801	POWER SUPPLY, 12VDC, 100W	1
36	TM-34881	TERMINAL, 3.5MM PLUGGABLE, 4 POLE	1
37	RE-37725	RELAY, 240V AC	1
38	TM-39576	TERMINAL, END SECTION, SPRING	11
39	SC-39147	SCREW, 8-18 X .480 HEX WASHER	8
40	SP-39372	SPACER, LOCK-IN SUPPRT	8

Terminal ID, CMC2, 380/415V 3PH

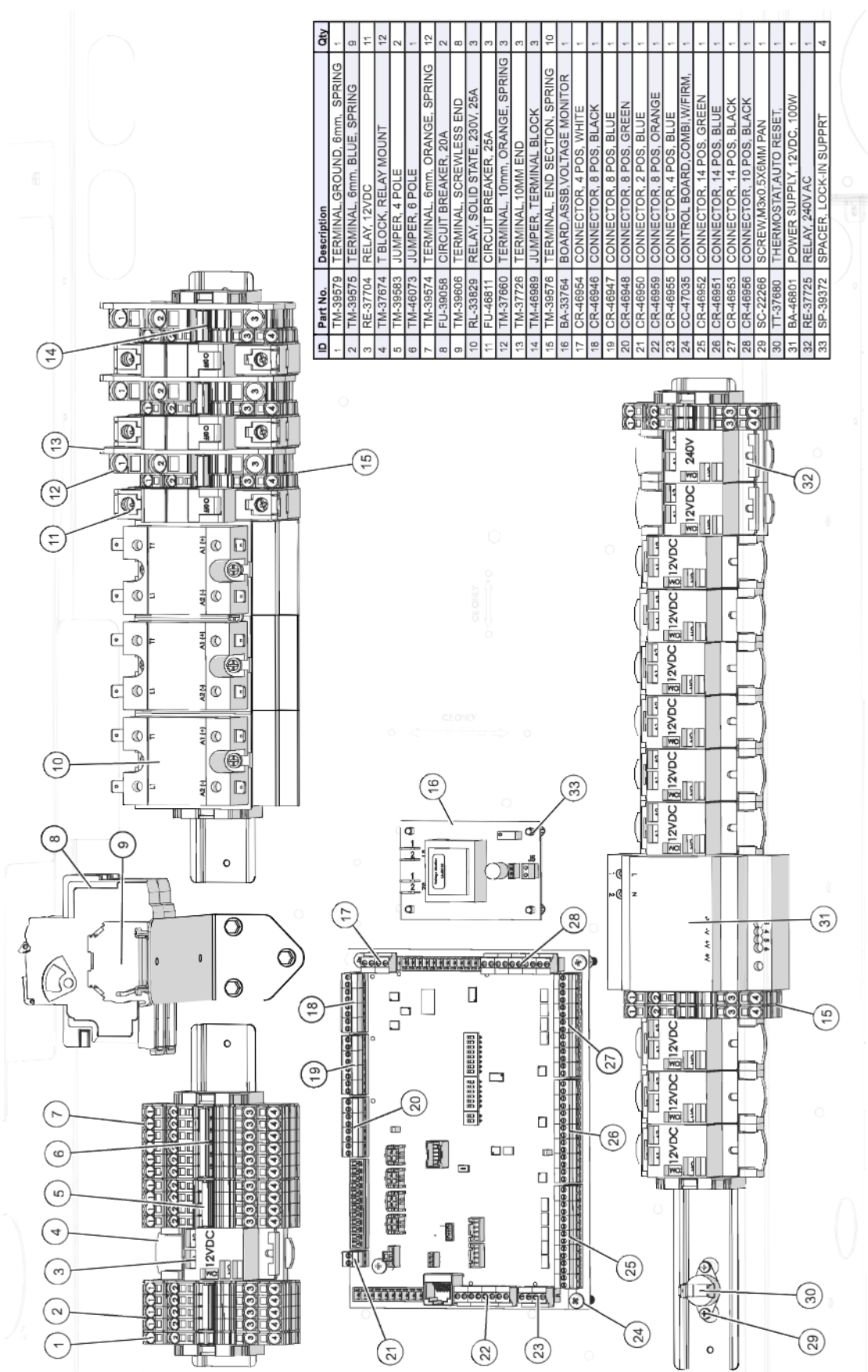


VOLTAGE PACKAGE, CMC3, 208/240V 3PH

Voltage Package, CMC3, 208/240V 3PH

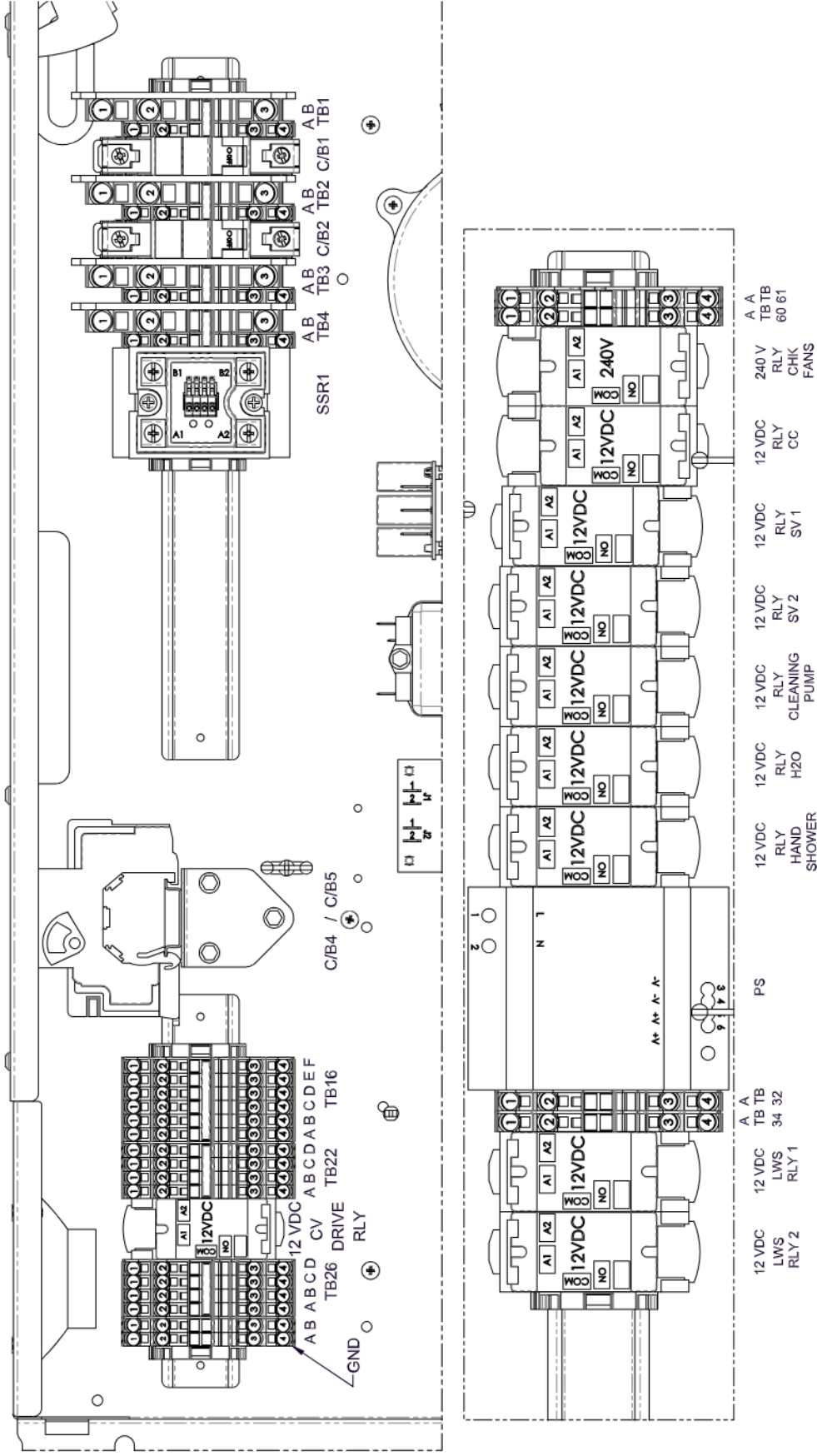


Board and Terminal Details, CMC3, 208/240V 3PH

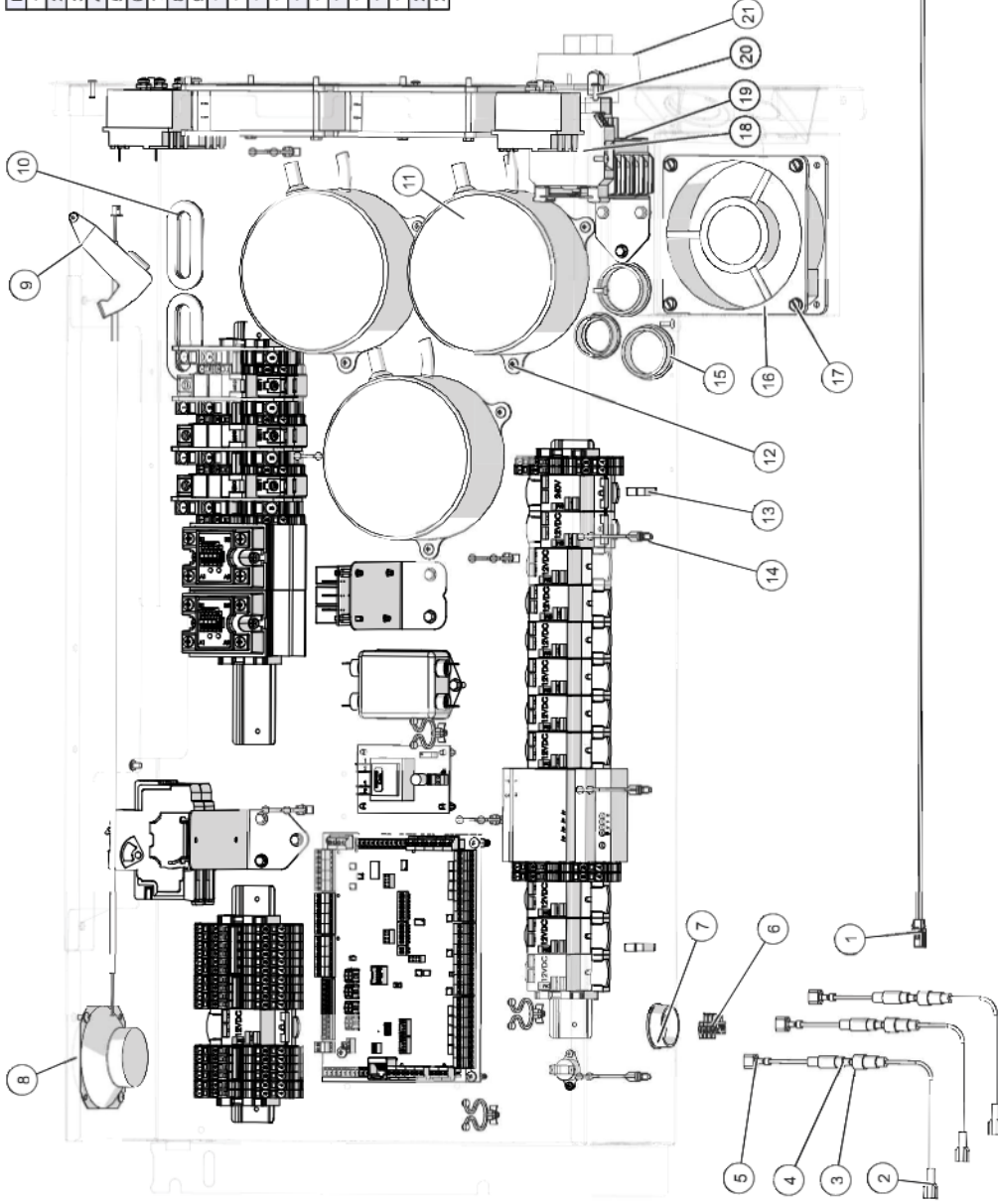


ID	Part No.	Description	Qty
1	TM-39579	TERMINAL, GROUND, 6mm, SPRING	1
2	TM-39575	TERMINAL, 6mm, BLUE, SPRING	9
3	RE-37704	RELAY, 12VDC	11
4	TM-37674	T BLOCK, RELAY MOUNT	12
5	TM-39583	JUMPER, 4 POLE	2
6	TM-46073	JUMPER, 6 POLE	1
7	TM-39574	TERMINAL, 6mm, ORANGE, SPRING	12
8	FU-39058	CIRCUIT BREAKER, 20A	2
9	TM-39606	TERMINAL, SCREWLESS END	8
10	RL-33829	RELAY, SOLID STATE, 230V, 25A	3
11	FU-46811	CIRCUIT BREAKER, 25A	3
12	TM-37660	TERMINAL, 10mm, ORANGE, SPRING	3
13	TM-37726	TERMINAL, 10MM END	3
14	TM-46989	JUMPER, TERMINAL BLOCK	3
15	TM-39578	TERMINAL, END SECTION, SPRING	10
16	BA-33764	BOARD, ASSB, VOLTAGE MONITOR	1
17	CR-46954	CONNECTOR, 4 POS, WHITE	1
18	CR-46946	CONNECTOR, 8 POS, BLACK	1
19	CR-46947	CONNECTOR, 8 POS, BLUE	1
20	CR-46948	CONNECTOR, 8 POS, GREEN	1
21	CR-46950	CONNECTOR, 2 POS, BLUE	1
22	CR-46959	CONNECTOR, 8 POS, ORANGE	1
23	CR-46955	CONNECTOR, 4 POS, BLUE	1
24	CC-47085	CONTROL BOARD, COMBI, W/FIRM.	1
25	CR-46952	CONNECTOR, 14 POS, GREEN	1
26	CR-46951	CONNECTOR, 14 POS, BLUE	1
27	CR-46953	CONNECTOR, 14 POS, BLACK	1
28	CR-46956	CONNECTOR, 10 POS, BLACK	1
29	SC-22266	SCREW, M3X0.5X10MM PAN	1
30	TT-37660	THERMOSTAT, AUTO RESET	1
31	BA-46801	POWER SUPPLY, 12VDC, 100W	1
32	RE-37725	RELAY, 240V AC	1
33	SP-39372	SPACER, LOCK-IN SUPPRT	4

Terminal ID, CMC3, 208/240V 3PH



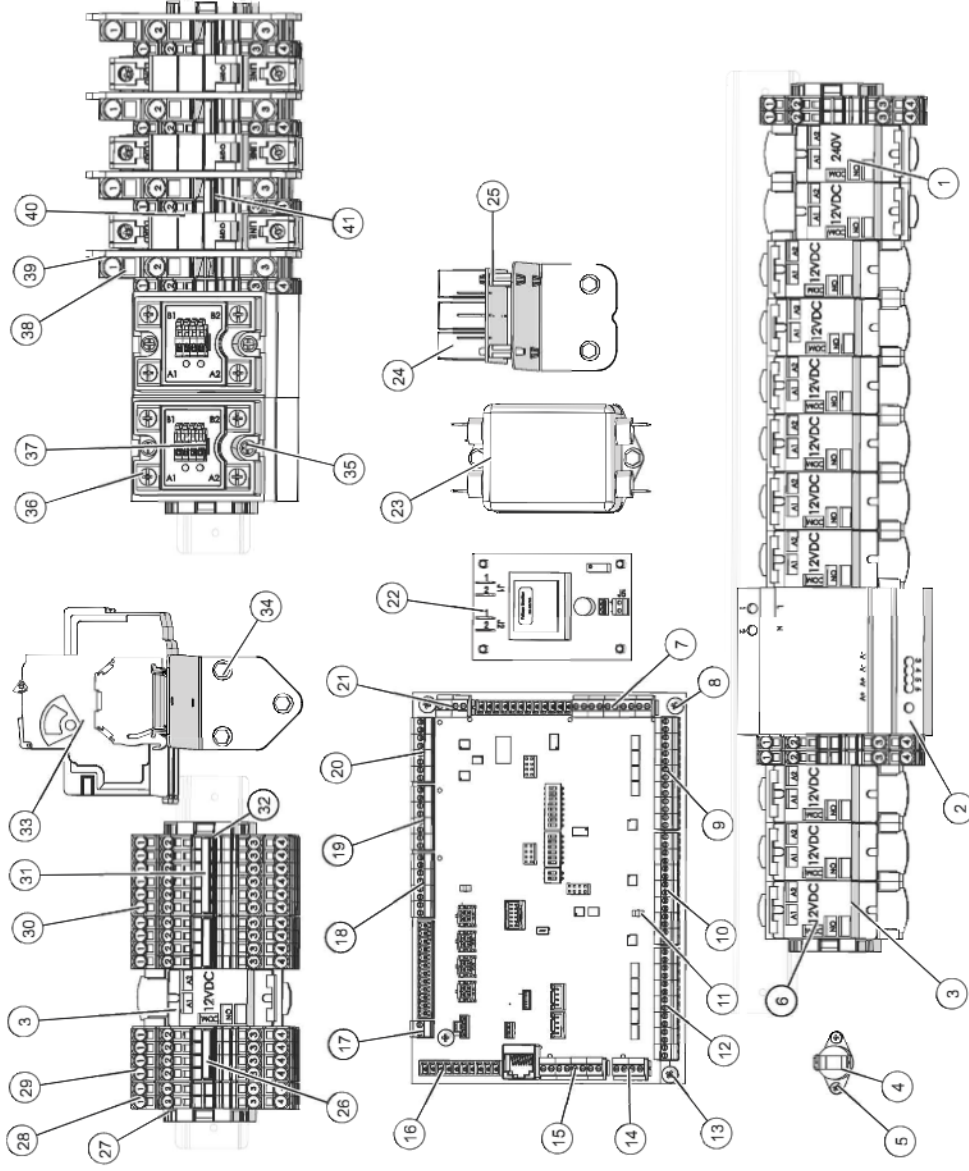
Voltage Package, CMC3, 380/415V 3PH



ID	Part No.	Description	Qty
1	CB-47046	CABLE HARNESS,B3 EXTENSION,66"	1
2	CR-33509	CONNECTOR, QUICK DISCONNECT	3
3	FU-36762	IN-LINE FUSE HOLDER, 5X20MM 150 SER	3
4	FU-46554	FUSE, 630mA, 250V,FAST ACTING.	3
5	CR-34639	CONNECTOR, QUICK DISCONNECT	3
6	TM-34881	TERMINAL, 3.5MM PLUGGABLE, 4 POLE	1
7	BU-37626	1-1/4" SNAP BUSHING	2
8	BZ-39711	BUZZER, SPEAKER, W/24" CABLE	1
9	1031935	BRACKET, STOP, TOP	1
10	GS-46746	GROMMET, WIRE, 1-3/8"DX2"OD	2
11	BA-46884R	DRIVE, 208-240V TELCO, FLY LEAD	3
12	SC-38283	SCREW, M4 x 7 x 6mm	17
13	CL-38422	RETAINER WIRE SQUARE,PUSH IN	2
14	TL-35719	TIE, TWIST LOCK 0.5" STANDOFF	11
15	BU-3013	BUSHING,SNAP,1 1/2"	2
16	FA-36957	FAN 230V,MECHATRONICS HI-TEMP	3
17	SC-26520	SCREW, #10 X 1/2 SMS HEX HEAD SLOTTED	4
18	TM-47500	TERMINAL, GROUND, 16MM, 800V	1
19	SW-39228	POWER SWITCH,DISCONNECT 60A	1
20	LK-37670	SHAFT,2" DISCONNECT,SWITCH	1
21	KN-37667	KNOB,POWER,INCLUDED W/SWITCH	1

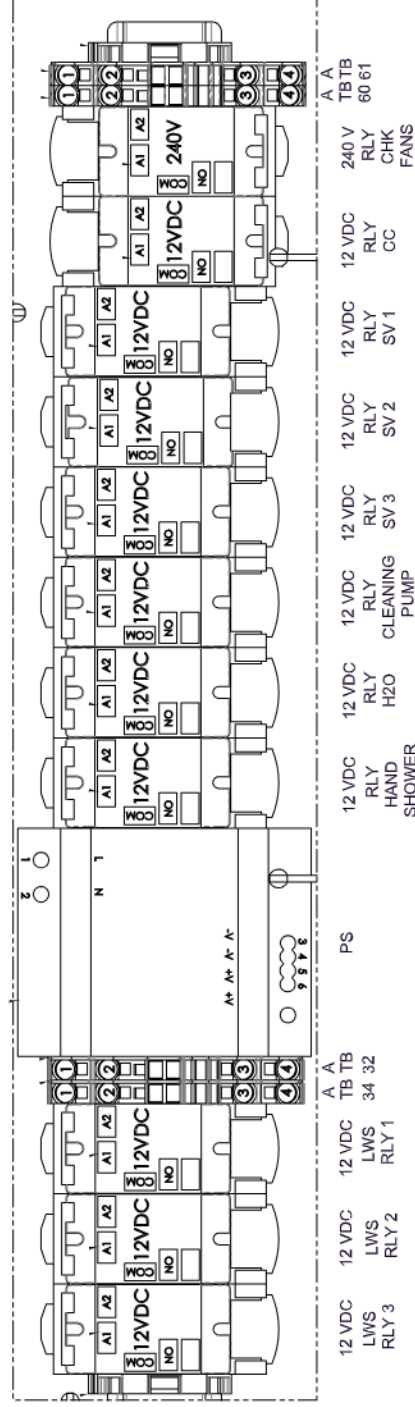
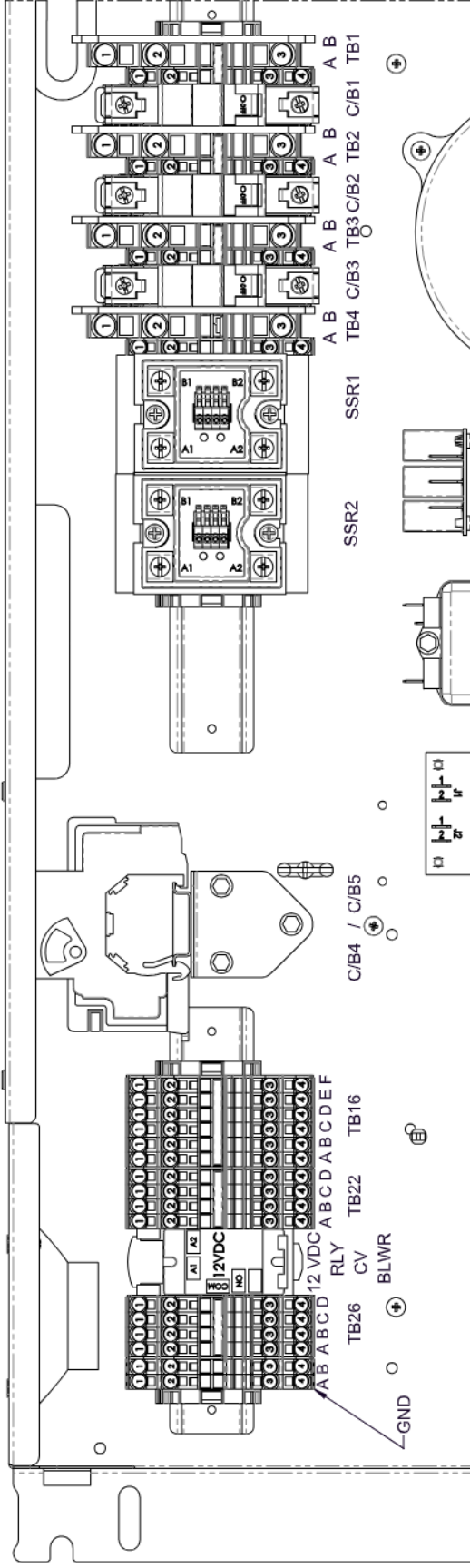
BOARD AND TERMINAL DETAILS, CMC3, 380/415V 3PH

Board and Terminal Details, CMC3, 380/415V 3PH



ID	Part No.	Description	Qty
1	RE-37725	RELAY, 240V AC	1
2	BA-46801	POWER SUPPLY, 12VDC, 100W	1
3	RE-37704	RELAY, 12VDC	11
4	TT-37680	THERMOSTAT AUTO RESET,	1
5	SC-22266	SCREW,M3X0.5X6MM PAN,	2
6	TM-37674	T BLOCK, RELAY MOUNT	12
7	CR-46956	CONNECTOR, 10 POS, BLACK	1
8	SP-39373	SPACER, M/F HEX STANDOFF 6MM	4
9	CR-46953	CONNECTOR, 14 POS, BLACK	1
10	CR-46951	CONNECTOR, 14 POS, BLUE	1
11	SP-47062	SPACER, SNAP-LOCK, 12MM LG	2
12	CR-46952	CONNECTOR, 14 POS, GREEN	1
13	SC-38283	SCREW, M4 x 7 x 6mm	4
14	CR-46955	CONNECTOR, 4 POS, BLUE	1
15	CR-46959	CONNECTOR, 8 POS, ORANGE	1
16	CC-47035	CONTROL BOARD,COMBI/W/FIRM,	1
17	CR-46950	CONNECTOR, 2 POS, BLUE	1
18	CR-46948	CONNECTOR, 8 POS, GREEN	1
19	CR-46947	CONNECTOR, 8 POS, BLUE	1
20	CR-46946	CONNECTOR, 8 POS, BLACK	1
21	CR-46954	CONNECTOR, 4 POS, WHITE	1
22	BA-33764	BOARD,ASSB,VOLTAGE MONITOR	1
23	FI-39226	FILTER, RFI POWER LINE	1
24	BA-39285	WYE/CAPACITOR	1
25	SP-39372	SPACER, LOCK-IN SUPPRT	8
26	TM-39583	JUMPER, 4 POLE	2
27	TM-39606	TERMINAL, SCREWLESS END	8
28	TM-39579	TERMINAL,GROUND, 6mm, SPRING	2
29	TM-39575	TERMINAL, 6mm, BLUE, SPRING	9
30	TM-39574	TERMINAL, 6mm, ORANGE, SPRING	13
31	TM-46073	JUMPER, 6 POLE	1
32	TM-39576	TERMINAL, END SECTION, SPRING	11
33	FU-39058	CIRCUIT BREAKER, 20A	2
34	SC-39147	SCREW, 8-18 X .480 HEX WASHER	8
35	SC-37702	SCREW, M4 X 12MM SEMS	4
36	RL-39554	RELAY,SOLID STATE,DUAL-50A	2
37	TM-34881	TERMINAL, 3.5MM PLUGGABLE, 4 POLE	2
38	TM-37660	TERMINAL, 10mm, ORANGE, SPRING	4
39	TM-37726	TERMINAL,10MM END	4
40	FU-46811	CIRCUIT BREAKER, 25A	3
41	TM-46989	JUMPER, TERMINAL_BLOCK	4

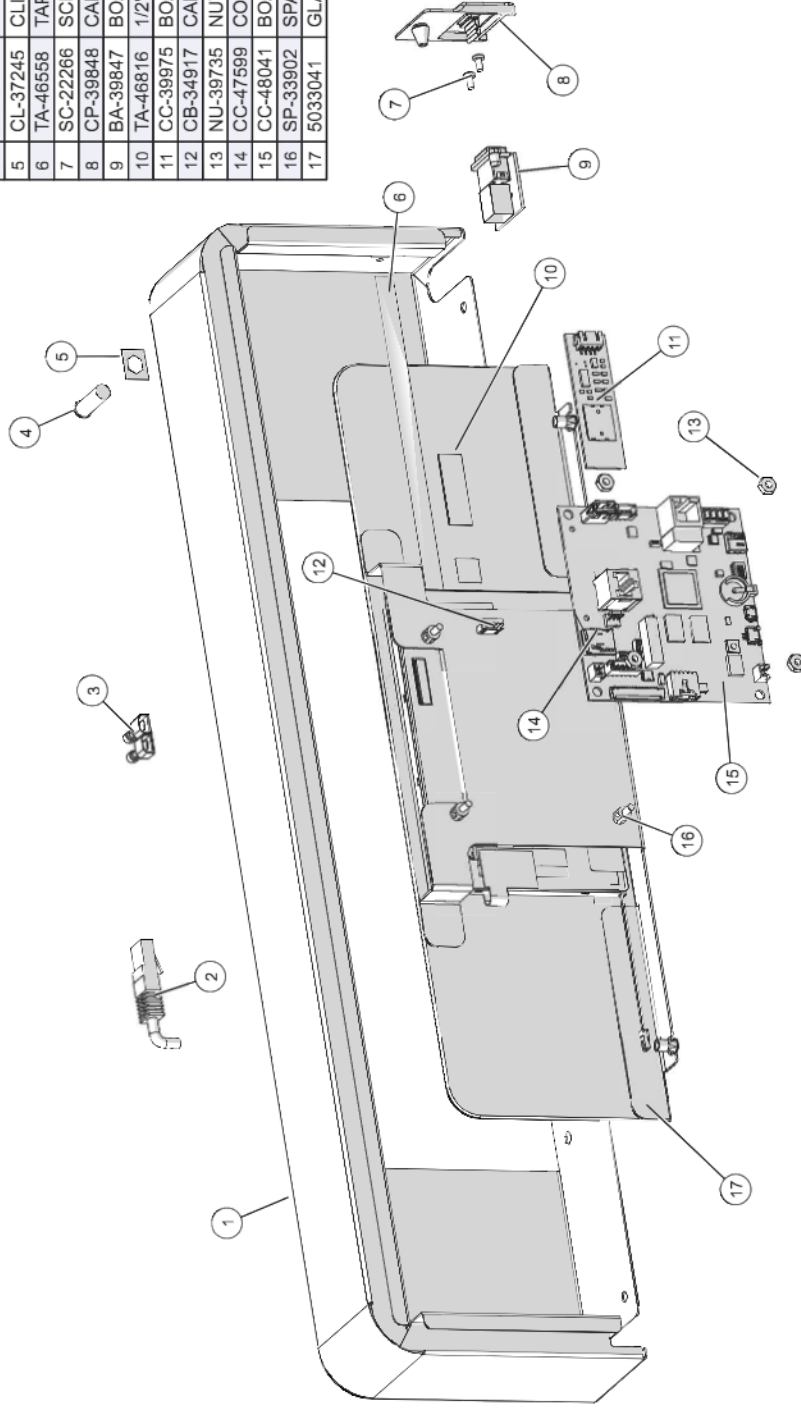
Terminal ID, CMC3, 380/415V 3PH



CONTROL PANEL, SIMPLE (ALL MODELS)

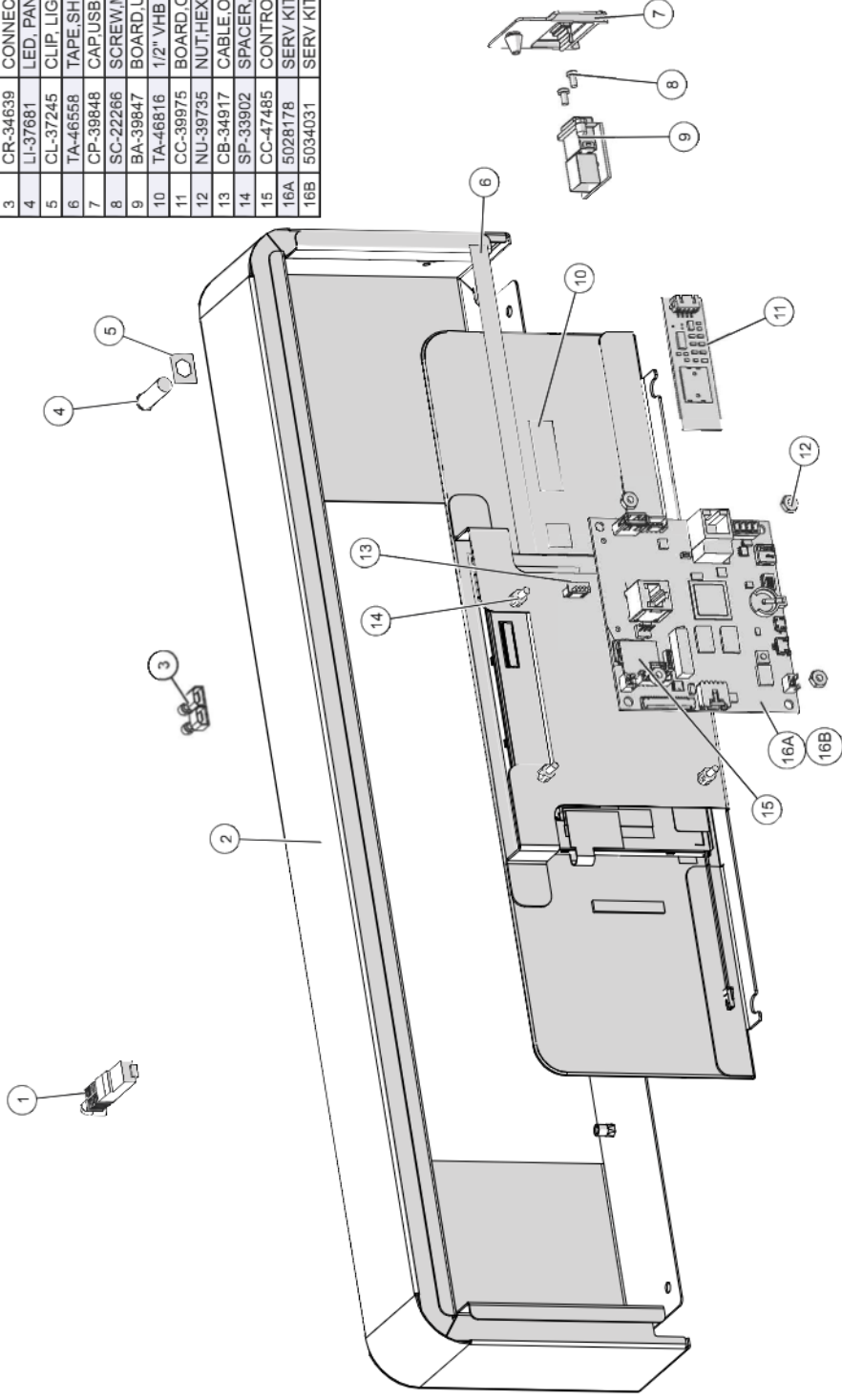
Control Panel, Simple (all models)

ID	Part No.	Description
1	5034704	SERVICE KIT, SX CTL PANEL
2	CB-35778	CAN/ETHERNET CABLE,1.5',SRJ45
3	CR-34639	CONNECTOR, QUICK DISCONNECT
4	LI-37681	LED, PANEL MOUNT 125/250V
5	CL-37245	CLIP, LIGHT MOUNTING XYZ
6	TA-46558	TAPE, SHIELDING, COND., 7" LONG
7	SC-22266	SCREW, M3X0.5X6MM PAN
8	CP-39848	CAP, USB
9	BA-39847	BOARD, USB RECEPTACLE
10	TA-46816	1/2" VHB TAPE
11	CC-39975	BOARD, ON/OFF BUTTON, PCAP
12	CB-34917	CABLE, ON-OFF/BOARD, TOUCH
13	NU-39735	NUT, HEX, 6-32, NYLON
14	CC-47599	CONTROL, CARD W/ FILE SYSTEM,
15	CC-48041	BOARD, INTERFACE, VARIOUS
16	SP-33902	SPACER, 1/4", CIRCUIT BRD
17	50330041	GLASS ASSY, CONTROL, SIMPLE



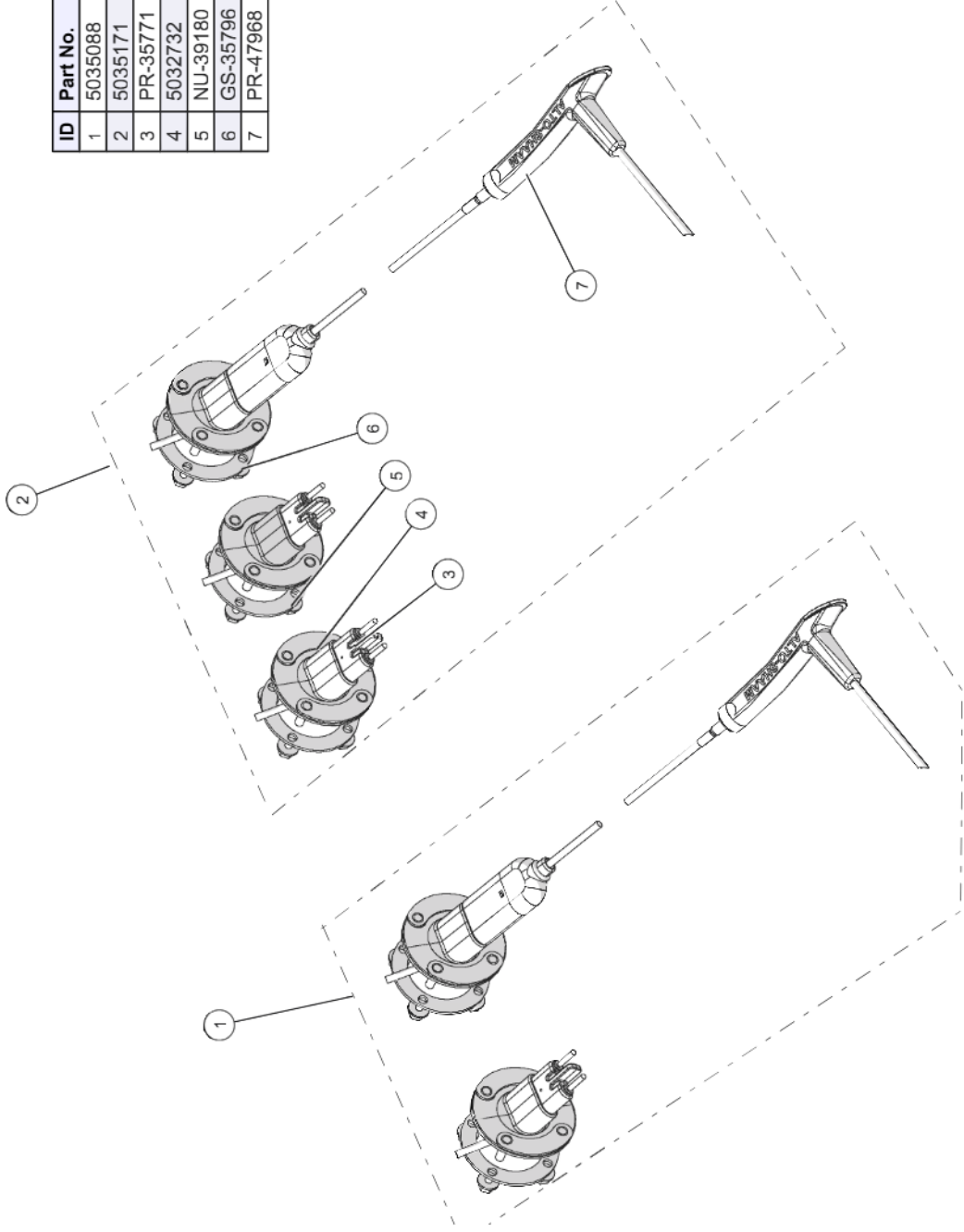
Control Panel, Deluxe (all models)

ID	Part No.	Description
1	CB-35778	CAN/ETHERNET CABLE,1.5',SRJ45
2	5032297	SERVICE KIT, DLX CNTRL PNL
3	CR-34639	CONNECTOR, QUICK DISCONNECT
4	LI-37681	LED, PANEL MOUNT 125/250V
5	CL-37245	CLIP, LIGHT MOUNTING XYZ
6	TA-46558	TAPE, SHIELDING, COND., 7" LONG
7	CP-39848	CAP, USB
8	SC-22266	SCREW, M3X0.5X6MM PAN
9	BA-39847	BOARD, USB RECEPTACLE
10	TA-46816	1/2" VHB TAPE, 1mm THK
11	CC-39975	BOARD, ON/OFF BUTTON, PCAP
12	NU-39735	NUT, HEX 6-32, NYLON
13	CB-34917	CABLE, ON-OFF/BOARD, TOUCH
14	SP-33902	SPACER, 1/4", CIRCUIT BRD
15	CC-47485	CONTROL, CARD W/ FILE SYSTEM,
16A	5028178	SERV KIT, IB/WIFI, NO ETHERNET
16B	5034031	SERV KIT, IB/WIFI, ETHERNET



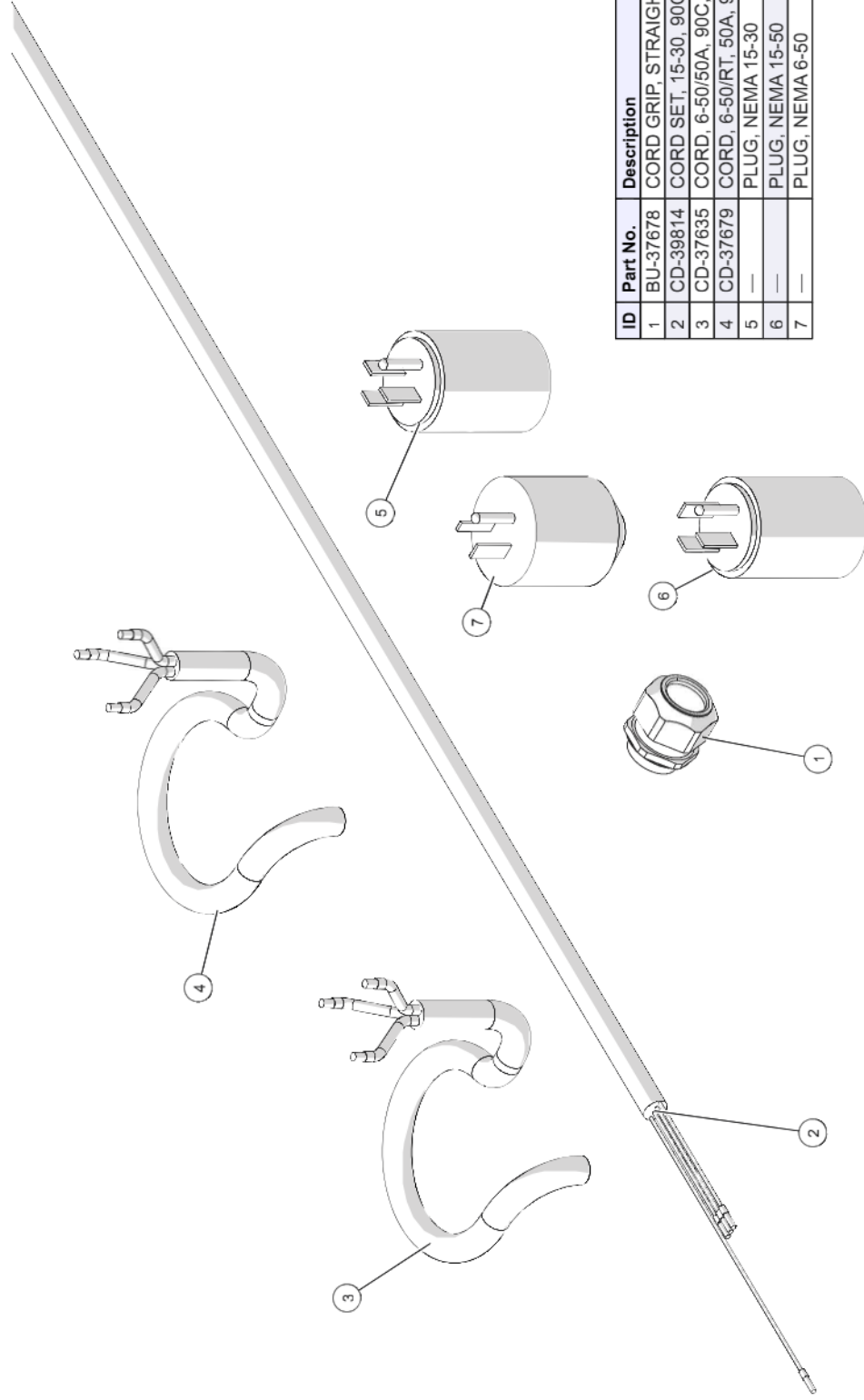
PROBE KITS (ALL MODELS)

Probe Kits (all models)



ID	Part No.	Description
1	5035088	KIT, PROBE, T-SHAPE, 18", CMC2
2	5035171	KIT, PROBE, T-SHAPE, 18", CMC3
3	PR-35771	PROBE, RECEPTICLE, 1300mm
4	5032732	STUD PLATE ASSY, PROBE REC.
5	NU-39180	NUT, M4-0.7 HEX FLG-SERR CL8 SS
6	GS-35796	GASKET, CAVITY PROBE
7	PR-47968	PROBE, QUICK RELEASE, 460mm

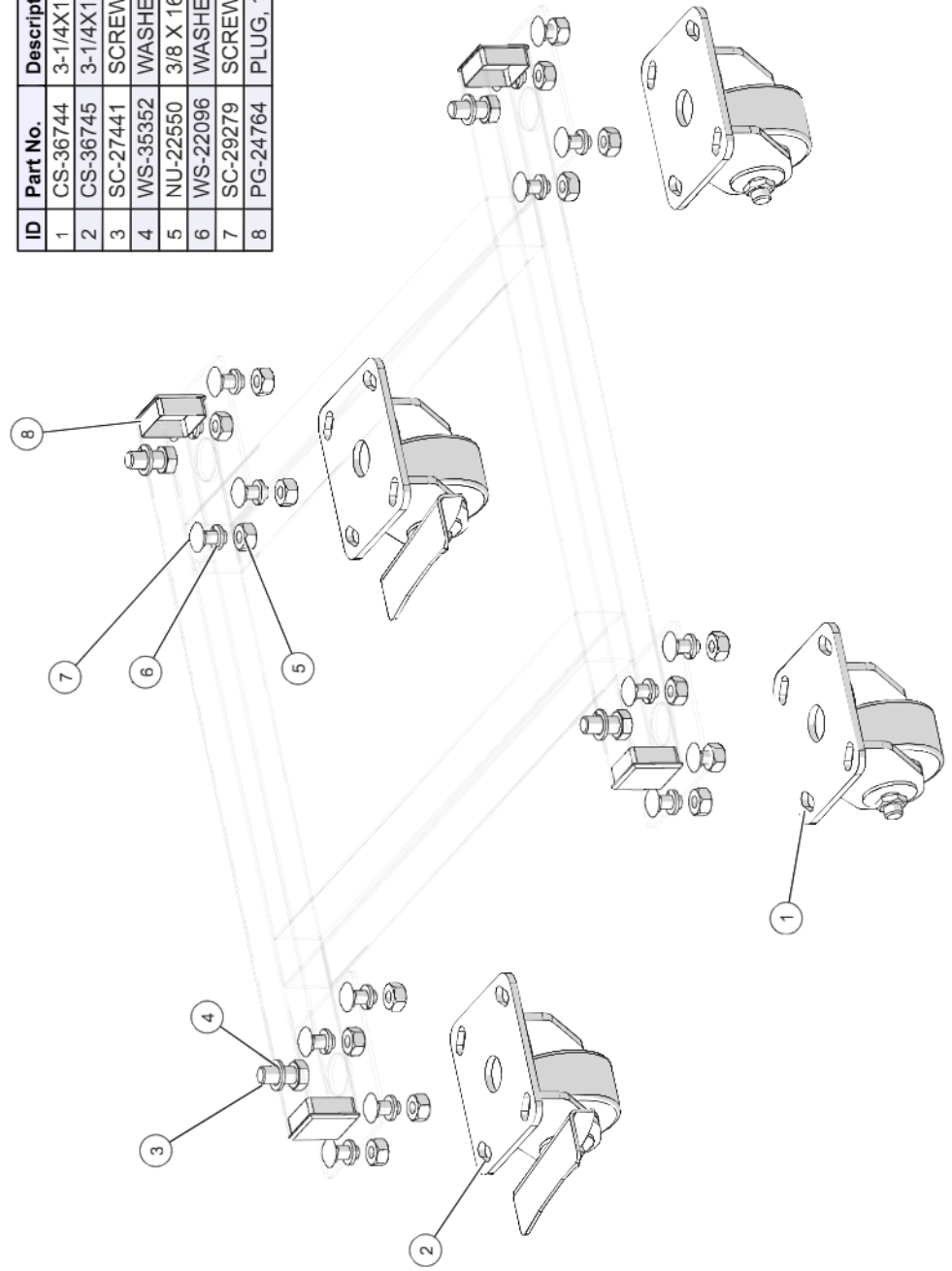
Cords and Plugs (all models)



ID	Part No.	Description
1	BU-37678	CORD GRIP, STRAIGHT, 1.260#
2	CD-39814	CORD SET, 15-30, 90C, 250V
3	CD-37635	CORD, 6-50/50A, 90C, 86" 250V
4	CD-37679	CORD, 6-50/RT, 50A, 90C, 86"
5	—	PLUG, NEMA 15-30
6	—	PLUG, NEMA 15-50
7	—	PLUG, NEMA 6-50

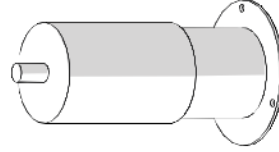
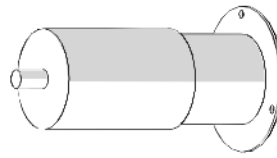
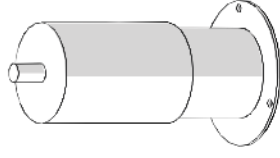
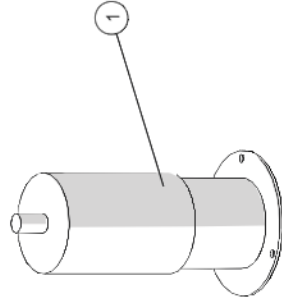
Mobile Base (all models)

ID	Part No.	Description
1	CS-36744	3-1/4X1-1/2 SWIVEL CASTER
2	CS-36745	3-1/4X1-1/2 SWIVEL CASTER W/BRAKE
3	SC-27441	SCREW, M12x1.75x25MM HEX
4	WS-35352	WASHER, M12 SPLIT LOCK
5	NU-22550	3/8 X 16 HEX NUT 18-8 S/S
6	WS-22096	WASHER, SPLIT LOCK
7	SC-29279	SCREW,CARRIAGE,3/8-16 X 1,S/S
8	PG-24764	PLUG, 1.5" SQ TUBING



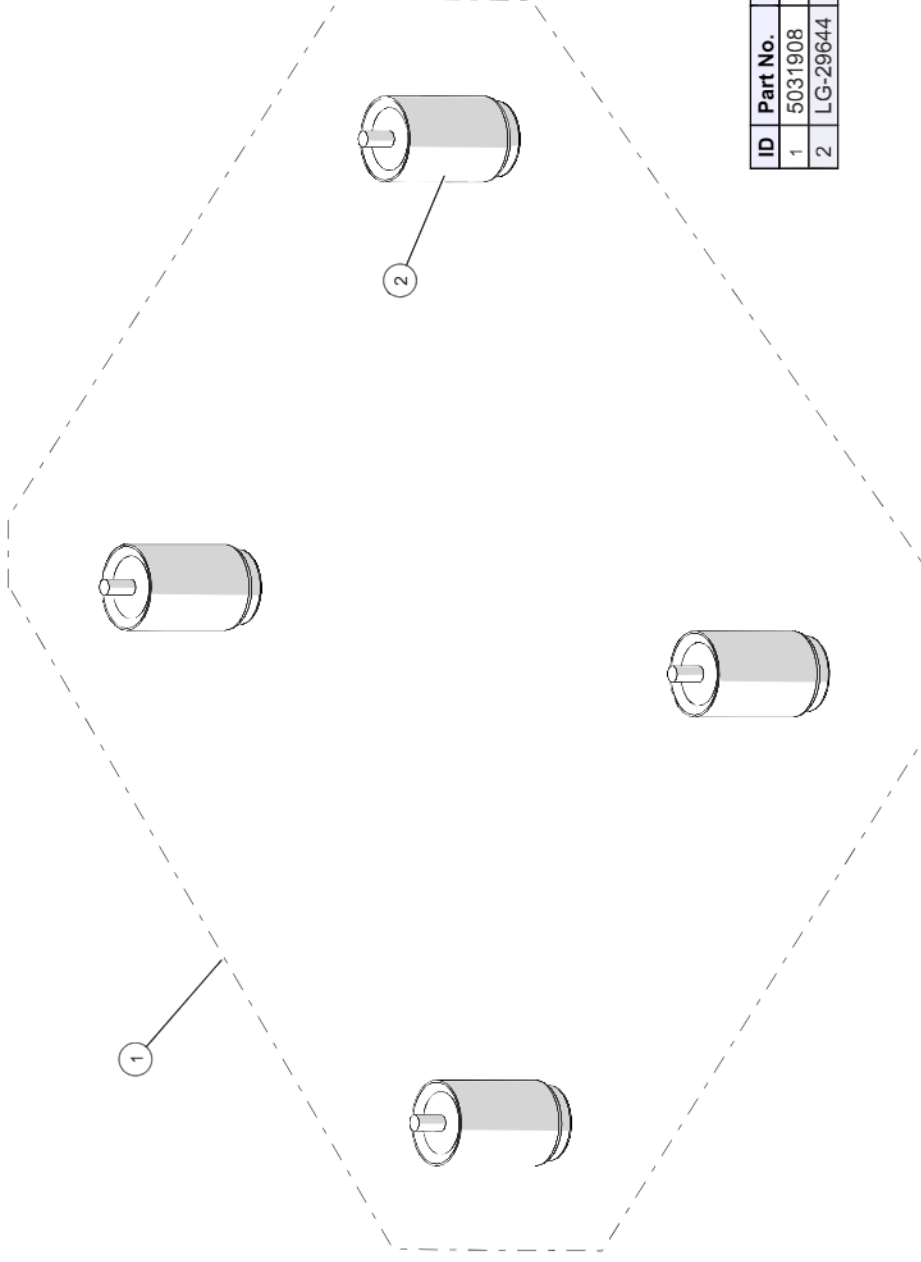
Seismic Legs (all models)

ID	Part No.	Description	Qty
1	FT-29080	FEET, SEISMIC FLANGE, TABLE TOP	4



ADJUSTABLE LEGS (ALL MODELS)

Adjustable Legs (all models)



ID	Part No.	Description
1	5031908	ADJUSTABLE LEG ASSEMBLY
2	LG-29644	LEG, 4" ADJUSTABLE

Installation Kits



Scan the QR code above or click the link below for information about Alto-Shaam's Factory-Installed Installation Program and available installation kits:

<https://altoshaam.widen.net/s/gl8lgpmfx8/9295-factory-authorized-converge-install-program>



ALTO-SHAAM.

Menomonee Falls, WI U.S.A.

Phone 800-558-8744 | +1-262-251-3800 | alto-shaam.com

- ASIA**
Shanghai, China
Phone +86-21-6173-0336
- AUSTRALIA**
Brisbane, Queensland
Phone 800-558-8744
- CANADA**
Concord, Ontario Canada
Toll Free Phone 866-577-4484
Phone +1-905-660-6781

- FRANCE**
Aix en Provence, France
Phone +33(0)4-88-78-21-73
- GMBH**
Bochum, Germany
Phone +49 (0)234 298798-0
- ITALY**
Padua, Italy
Phone +39 3476073504
- INDIA**
Pune, India
Phone +91 9657516999

- MEXICO**
Phone +52 1 477-717-3108
- MIDDLE EAST & AFRICA**
Dubai, UAE
Phone +971-4-321-9712
- CENTRAL & SOUTH AMERICA**
Miami, FL USA
Phone +1 954-655-5727
- RUSSIA**
Moscow, Russia
Phone +7 903 7932331