



more durable, efficient, beautiful

4184 E. Conant St.  
Long Beach, CA 90808  
Tel. 310-900-1000  
Fax. 310-900-1077  
[www.turboairinc.com](http://www.turboairinc.com)

|                   |        |
|-------------------|--------|
| Project:          |        |
| Model #:          |        |
| Item #:           |        |
| Available W/H:    | Qty:   |
| Approval:         |        |
| AIA #:            | SIS #: |
| CSI Section 11400 |        |

## Swing Door Merchandisers

Glass Door Merchandisers  
Super Deluxe Series

**Model : TGM-7SD\*-N6**

### ≡ FEATURES & BENEFITS ≡

- **Hydrocarbon refrigerants (R-600a)**  
With innovative and eco-friendly technology, Turbo Air brings you hydrocarbon refrigerators designed to meet DOE's Energy Conservation Standards in 2017 and to use EPA's SNAP Program approved HC refrigerants. Hydrocarbon refrigerants do not deplete the ozone layer and have very low contribution to global warming (ODP-0, GWP-3).
- **Double pane glass doors with Low-E glass**  
Energy saving double pane glass doors are equipped with Low-emissivity glass, which reduces outer heat gain and decreases energy consumption. It enhances energy efficiency and minimizes condensation. Lightweight door construction also reduces door maintenance and bushing wear, which in turn facilitates smoother door opening.
- **High-density polyurethane insulation**  
The entire cabinet structure is foamed-in-place using high density, HCFC free polyurethane insulation.
- **LED interior lighting**
- **Refrigerator holds 33°F ~ 38°F for the best in food preservation**



TGM-7SDB-N6



TGM-7SDW-N6



ENERGY STAR®  
Qualified

| Model              | Swing Door | CU./FT.    | #of Shelves | HP         | AMPS       | Crated Weight (lbs.) | L x D* x H† (inches)        |
|--------------------|------------|------------|-------------|------------|------------|----------------------|-----------------------------|
| <b>TGM-7SD*-N6</b> | <b>1</b>   | <b>6.2</b> | <b>3</b>    | <b>1/8</b> | <b>1.4</b> | <b>202</b>           | <b>25 x 23 1/4 x 38 1/8</b> |

Ver.20230103 Printed in U.S.A.


\* Depth does not include 2-3/8" (60mm) for rear mechanical component and additional 1-5/8" for a power cord bushing & radius of curvature.

† Depth does not include 2-1/4" (57mm) for door handle. † Height does not include 2-1/4" (56mm) for leg height. ‡ White cabinet(W), Black cabinet(B).

# Swing Door Merchandisers

Glass Door Merchandisers  
Super Deluxe Series

## Model : TGM-7SD\*-N6

| ELECTRICAL DATA            |  |
|----------------------------|--|
| Voltage                    | 115/60/1   |
| Plug Type                  |  NEMA 5-15P |
| Full Load Amperes          | 1.4  |
| Compressor HP              | 1/8  |
| Cord Length (ft.)          | 9  |
| Refrigerant                | R-600a   |
| DIMENSIONAL DATA           |  |
| # of Doors                 | 1  |
| Net Capacity (cu. ft.)     | 6.2  |
| Ext. Length Overall (in.)  | 25 (635mm)   |
| Ext. Depth Overall (in.)*  | 23 1/4 (590mm)   |
| Ext. Height Overall (in.)† | 38 1/8 (970mm)   |
| Int. Length Overall (in.)  | 20 5/8 (525mm)   |
| Int. Depth Overall (in.)   | 18 3/4 (475mm)   |
| Int. Height Overall (in.)  | 33 7/8 (860mm)   |
| # of Shelves               | 3  |
| Shelf Size (L x D) (in.)   | 19 3/8 x 16 5/8  |
| Bottle Capacity (12oz.)    | 136  |
| Net Weight (lbs.)          | 152  |
| Gross Weight (lbs.)        | 183  |

Design and specifications subject to change without notice.

Actual shipping weight may differ due to extra packing materials for product protection.

\* Depth does not include 2-1/4" for door handle.

† Height does not include 2-3/8" for rear mechanical component and additional 1-5/8" for a power cord bushing & radius of curvature.

‡ Height does not include 2-1/4" (56mm) for leg height.

### ■ WARRANTY : 5 Year Parts and Labor Warranty 7 Year Compressor Warranty

### ■ STANDARD FEATURES

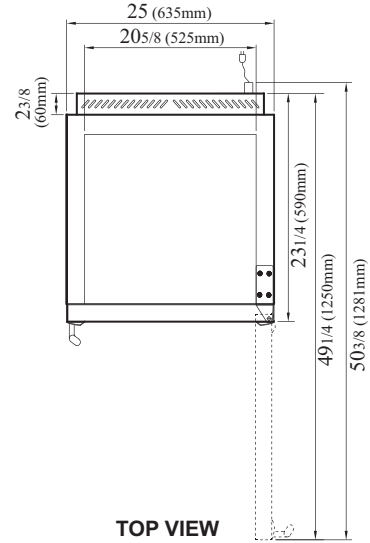
- **Anti-corrosion coated evaporator**
- **Door locks standard**
- **Two color options available (standard):** white cabinet (W), black cabinet with black color trim (B).

### ■ OPTIONAL ACCESSORIES

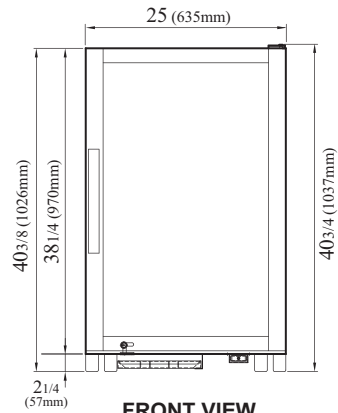
- 4" caster, 1/2" diameter & 13 TPI: G8F6500101 (non-brake), G8F6500201 (w/ brake)
- Additional PE coated wire shelf: P0178A0300
- Price tag channel available: P0122K5700

## PLAN VIEW

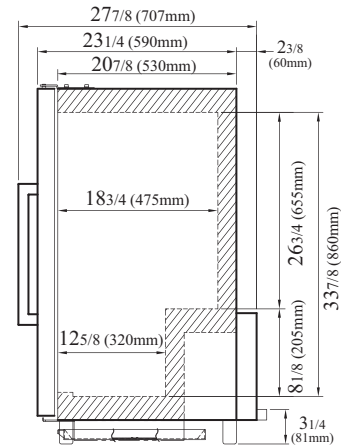
(unit : inch)



TOP VIEW



FRONT VIEW



SIDE VIEW

Ver.20230103



- Turbo Air : 800-627-0032
- GK : 800-500-3519
- Warranty : 800-381-7770
- AC : 888-900-1002



Continued product development may necessitate specification changes without notice.