

Item No. _____

SHM4-A

Self-Contained, medium temperature, open merchandisers with Environmentally-Friendly R290 refrigerant



microSC

The natural refrigerant case solution!

Advantages

- Environmentally-friendly R-290 natural refrigerant
- Easy to service with slide out air-cooled condensing unit
- Large front window and sides for increased product visibility

Key Features

- Designed for NSF Type II ambient conditions (80°F / 55% RH)
- View end panels provide increased visibility of product from the side
- CFC-free insulation
- Medium temperature application

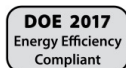
Innovative Refrigeration

- Environmentally-friendly R290 hydrocarbon refrigerant that has zero ozone depletion potential and 3 GWP

Options

- Choice of exterior colors
- Bumper
- Rear base colors
- Product stop
- Wrap-around bumper
- Leg and caster kits
- Skirt kit (use with leg kit)

AIA #



Hussmann Corporation

12999 St. Charles Rock Rd.
Bridgeton, MO 63044-2483
Ph: 800.592.2060

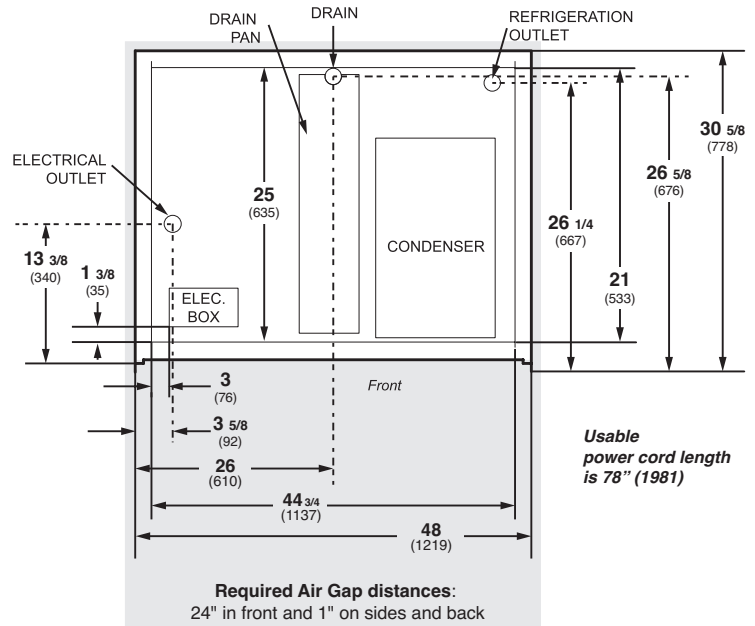
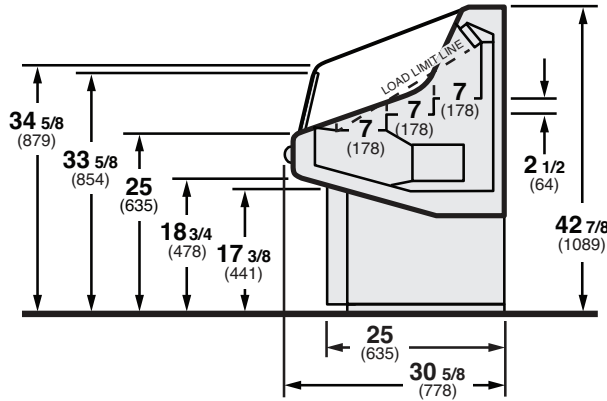
www.hussmann.com

©2023 Printed in U.S.A.

Document # | Revision

SHM4-A

Self-Contained, medium temperature, open merchandisers with Environmentally-Friendly R290 refrigerant



AIA #

Model	L	D	H	Disch. Air	In/Ex	Ref.	Volts	Run Amps	Noise	Cord Length	Weight	Defrost
SHM4-A	48" (1219 cm)	30-5/8" (778 cm)	42-7/8" (1089 cm)	20 to 25°F	F/R	R290	115	3.5	70 dB	78 in (1981 mm)	305 lbs (114 kg)	Hot Gas

Bidding specifications



[DATA SHEET](#)

For more detailed information scan or click above.

We reserve the right to change or revise specifications and product design in connection with any feature of our products. Such changes do not entitle the buyer to corresponding changes, improvements, additions, or replacements for equipment previously sold or shipped. For additional resources, contact your representative or visit www.hussmann.com.



12999 St. Charles Rock Rd.
Bridgeton, MO 63044-2483
Ph: 800.592.2060

www.hussmann.com