



# Heated Shelf Merchandiser

## Top Heat

- HSM-24 3S/T
- HSM-24 5S/T
- HSM-36 2S/T
- HSM-36 3S/T
- HSM-36 5S/T
- HSM-48 5S/T



# Manufacturer's Information

## Copyright

© Copyright 07/2022 by Alto-Shaam, Inc.  
All rights reserved.  
This manual or any portion thereof may not be reproduced or used in any manner whatsoever without the express written permission of Alto-Shaam, Inc

## Trademarks

All trademarks referenced in this documentation are the property of their respective owners.

## Manufacturer

Alto-Shaam, Inc.  
P.O. Box 450  
W164 N9221 Water Street  
Menomonee Falls, WI 53052

## Models Covered

HSM-24/3S/T	3-Shelf, Top Heat
HSM-24/5S/T	5-Shelf, Top Heat
HSM-36/2S/T	2-Shelf, Top Heat
HSM-36/3S/T	3-Shelf, Top Heat
HSM-36/5S/T	5-Shelf, Top Heat
HSM-48/5S/T	5-Shelf, Top Heat

## Serial Number

The unit serial number is required for ordering the correct service.  
Record the unit serial number in the space provided below.

Serial Number

## Parts Ordering Information

Original manufacturer's replacement parts may be ordered directly from the Alto-Shaam network of Authorized Service Agents and Parts Distributors. Follow this link for a map to a local partner: <https://www.alto-shaam.com/en/how-to-buy>. If you are an Authorized Service Agent or Parts Distributor, please submit your purchase order to [parts@alto-shaam.com](mailto:parts@alto-shaam.com).

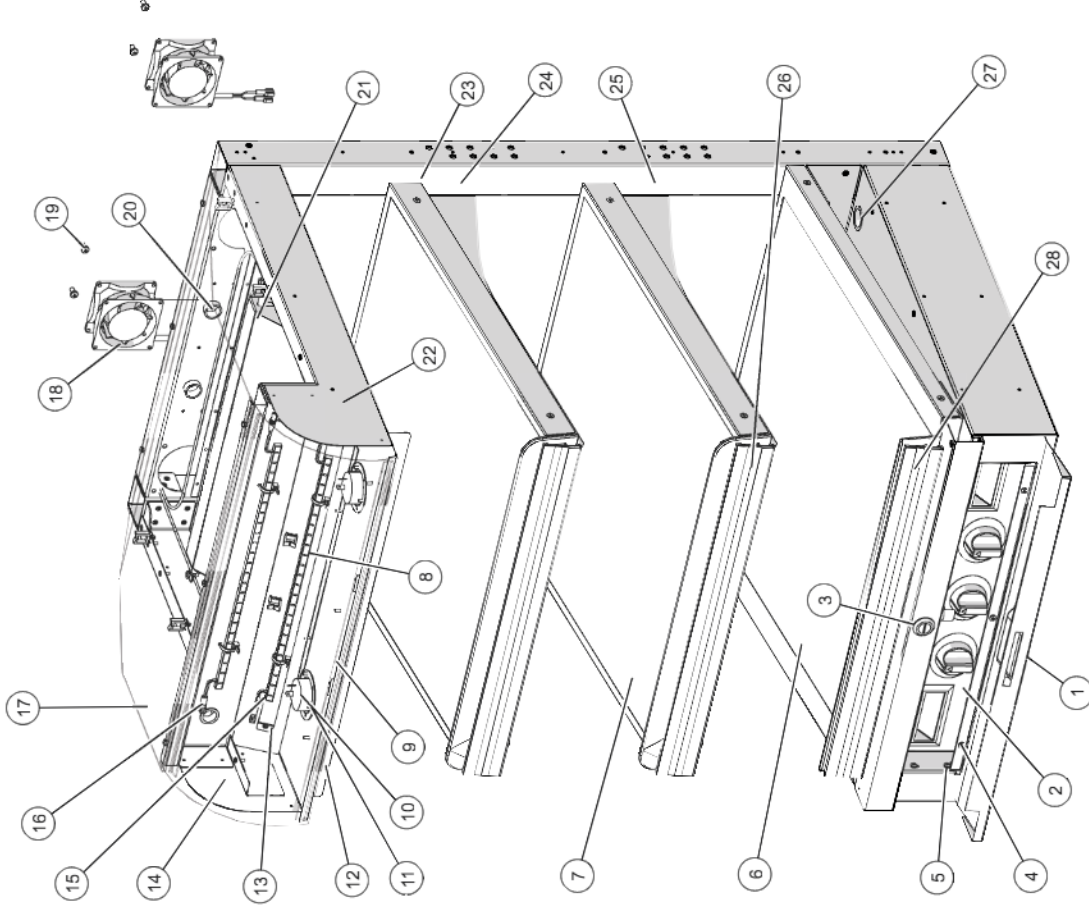
Non-OEM parts may be substituted; however, these parts must be of equal quality and specifications as those provided by Alto-Shaam.

# Table of Contents

Manufacturer's Information	2	Side Glass Assembly (All 5S models)	37	DIN Rail and Terminals, HSM-36/CT	64
Table of Contents	3	Skirt Assembly, Floor Model, HSM-24/3S/T	38	Control Assembly, HSM-24/3S/T	65
Core Package, HSM-24/3S/T (120V)	4	Skirt Assembly, Floor Model, HSM-36/5S/T	39	Control Assembly, HSM-36/2S/T	66
Core Package, HSM-24/3S/T (208-240V)	5	Skirt Assembly, Floor Model, HSM-48/5S/T	40	Control Assembly, HSM-36/3S/T	67
Core Package, HSM-24/5S/T (208-240V)	6	Skirt Assembly, HSM-24/3S (for Display Base)	41	Control Assembly, HSM-24/5S/T	68
LED Assembly, HSM-24	7	Skirt Assembly, HSM-36/3S (for Display Base)	42	Control Assembly, HSM-36/5S/T	69
Core Package, HSM-36/2S/T (120V)	8	Base Shelf Assembly, HSM-24	43	Control Assembly, HSM-48/5S/T	70
Core Package, HSM-36/2S/T (208-240V)	9	Base Shelf Assembly, HSM-36 (120V)	44	Cordsets	71
Core Package, HSM-36/3S/T	10	Base Shelf Assembly, HSM-36 (208-240V)	45	Leg Pkg, HSM-24/CT or HSM-36/CT	72
Core Package, HSM-36/5S/T	11	Base Shelf Assembly, HSM-48	46	Leg Package, Floor Models Only	73
LED Assembly, HSM-36	12	Heated Shelf Assembly, HSM-24	47	Casters, Floor Models Only	74
Core Package, HSM-48/5S/T	13	Heated Shelf Assembly, HSM-36 (120V)	48	Display Base w/Casters, HSM-24/3S/T	75
LED Assembly, HSM-48	14	Heated Shelf Assembly, HSM-36 (208-240V)	49	Display Base w/Casters, HSM-36/3S/T	76
Control Panel Cover Assemblies	15	Heated Shelf Assembly, HSM-48	50	Display Base with Legs, HSM-24/3S/T	77
Front Door, HSM-24/CT	16	Electronic Components Package, High Wattage, 208/240V 1PH	51	Display Base with Legs, HSM-36/3S/T	78
Front Door, HSM-36/CT	17	DIN Rail and Terminals, High Wattage, 208/240V 1PH	52	Signage Panels	79
Front Door, HSM-24/5S/T	18	Electronic Components Package, HSM-24/3S/T (120V)	53		
Front Door, HSM-36/5S/T	19	DIN Rail and Terminals, HSM-24/3S/T (120V)	54		
Rear Swinging Door, HSM-24/CT	20	Electronic Components Package, HSM-24	55		
Rear Swinging Doors, HSM-36/3S/T	21	(208-240V)	56		
Rear Swinging Doors, HSM-36/5S/T	22	DIN Rail and Terminals, HSM-24 (208-240V)	57		
Rear Sliding Doors, HSM-36/CT	23	Electronic Components Package, HSM-24/3S/T (208-240V 1PH)	58		
Rear Sliding Doors, HSM-36/5S	24	DIN Rail and Terminals, HSM-24/3S/T (208-240V 1PH)	59		
Reach-In Package, HSM-24/CT	25	Electronic Components Package, HSM-36/2S (120V 1PH)	60		
Reach-In Package, HSM-24/5S/T	26	DIN Rail and Terminals, HSM-36/2S (120V 1PH)	61		
Reach-In Package, HSM-36/2S/T	27	Electronic Components Package, HSM-36/3S (208-240V 1PH)	62		
Reach-In Package, HSM-36/3S/T	28	DIN Rail and Terminals, HSM-36/3S	63		
Reach-In Package, HSM-36/5S/T	29	(208-240V 1PH)			
Reach-In Package, HSM-48/5S/T	30	Electronic Components Package, HSM-36/CT			
Pass-Through Package, HSM-24/CT	31	Electronic Components Package, HSM-36/5S			
Pass-Through Package, HSM-24/5S	32	DIN Rail and Terminals, HSM-36/3S			
Pass-Through Package, HSM-36/CT	33	(208-240V 1PH)			
Pass-Through Package, HSM-36/5S	34	DIN Rail and Terminals, HSM-36/3S			
Side Glass Assembly, HSM-36/2S/T	35	(208-240V 1PH)			
Side Glass, HSM-24/3S/T or HSM-36/3S/T	36	Electronic Components Package, HSM-36/CT			

# CORE PACKAGE, HSM-24/3S/T (120V)

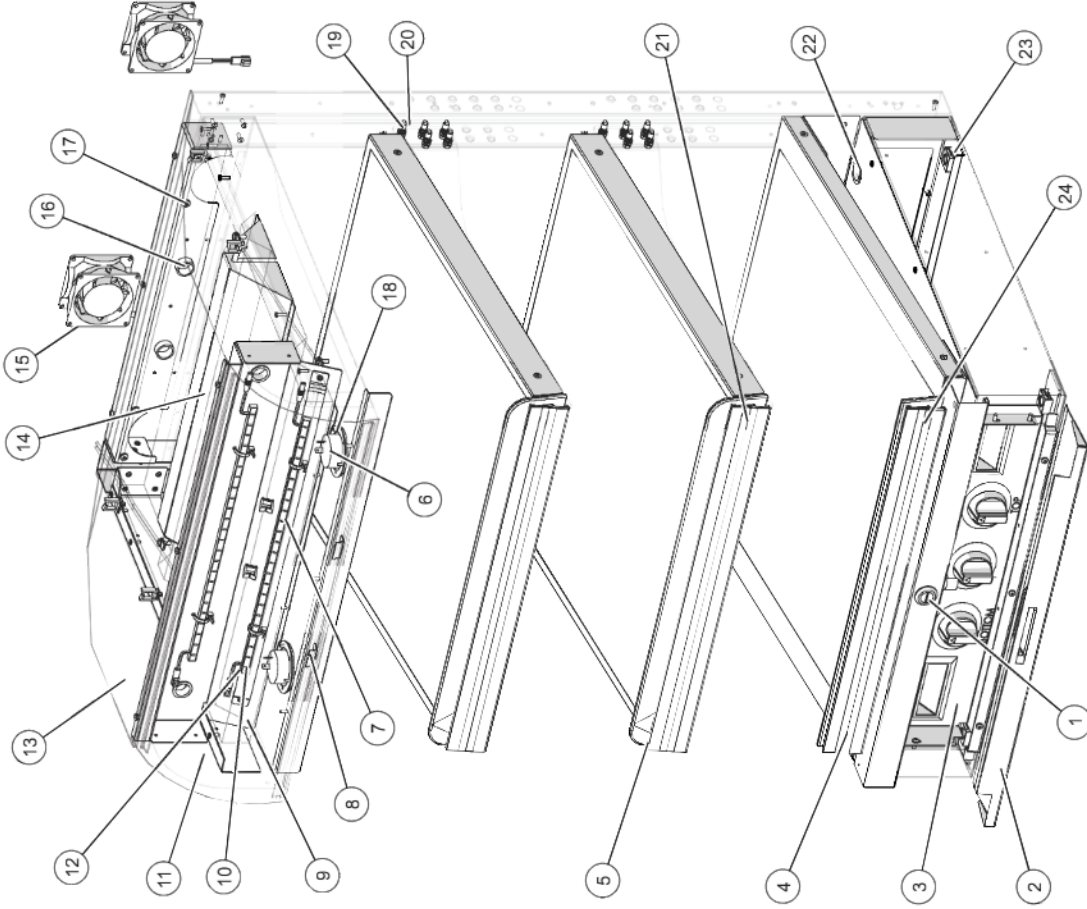
## Core Package, HSM-24/3S/T (120V)



ID	Part No.	Description
1	5022537R	COVER PANEL ASSY, HSM-24/CT
2	5032996	CONTROL COMPONENTS ASSY
3	LT-38488	LATCH, QUARTER TURN, SLOTTED, SS
4	SC-22271	SCREW, M4x0.7X6MM PAN
5	SC-22273	SCREW, M4x0.7X10MM PAN
6	5032621	SHELF BASE ASSEMBLY, TOP HEAT
7	5032620	SHELF HEATED, C-STORE, ASSEMBLY
8	5032627	ELEMENT, CALROD, 185W 120V
9	1033273	TAB, PLASTIC GUARD CONSTRAINT
10	LP-37100	LAMP, LED, 12V
11	SC-23102	SCREW, M3x0.5X10MM FLAT
12	1017196	PANEL, LIGHT/DOOR STRIP
13	1035855	REFLECTOR, SM, BONNET, TOP HEAT
14	5020236	GUARD, CLEAR EXTRUSION, 24W
15	SW-36714	SWITCH, ROCKER, 20A@120V,
16	5032625	LED, MOUNT, ASSEMBLY, TOP HEAT
17	1033849	PANEL, COVER, TOP
18	5020761	3" BOX FAN, CONNECTORS, 120V
19	SC-22766	SCREW, M5x0.8X10MM PAN
20	BU-3007	7/8" SNAP BUSHING, BLACK
21	1035845	REFLECTOR, BONNET, TOP HEAT
22	SC-2070	SCREW, 10-32 X 1/2" PAN
23	SC-38830	SCREW, M5x0.8X20MM HEX
24	WS-39333	WASHER, CONICAL, SPRING LOCK,
25	WS-22295	WASHER, FLAT M5 S/S
26	GD-38897	GUARD, SHELF, CLEAR
27	BU-3378	1 1/8" SNAP BUSHING
28	5022839R	GUARD ASSY, LOWER SHELF, CLEAR



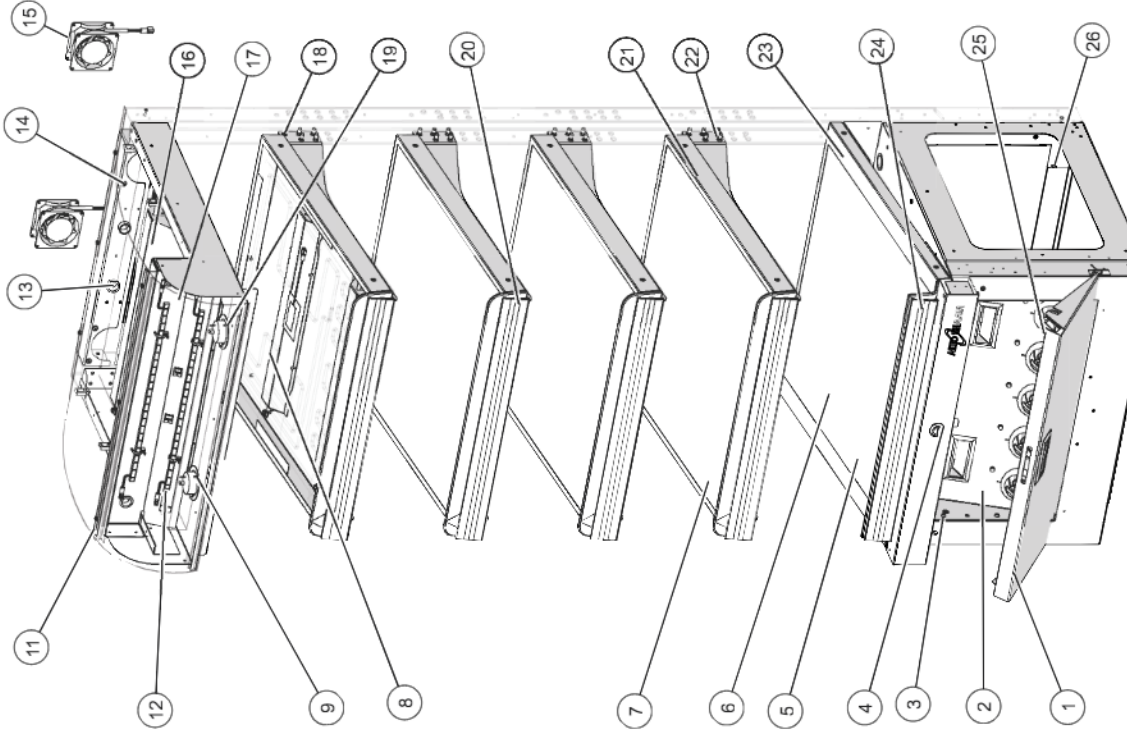
# Core Package, HSM-24/3S/T (208-240V)



ID	Part No.	Description
1	LT-38488	LATCH, QUARTERTURN, SLOTTED,SS
2	5022537R	COVER PANEL ASSY, HSM-24/CT
3	5032996	CONTROL COMPONENTS ASSY
4	5032621	SHELF,BASE,ASSEMBLY,TOP HEAT
5	5033792	SHELF,HEATED,C-STORE,ASSEMBLY
6	LP-37100	LAMP, LED, 12W
7	1035855	REFLECTOR, SM, BONNET,TOP HEAT
8	1033273	TAB, PLASTIC GUARD CONSTRAINT
9	5032625	LED, MOUNT, ASSEMBLY, TOP HEAT
10	SC-2070	SCREW, 10-32 X 1/2" PAN
11	5030236	GUARD, CLEAR EXTRUSION, 24W
12	SW-36714	SWITCH,ROCKER,20A@120V,
13	1033849	PANEL, COVER, TOP
14	5032627	ELEMENT, CALROD, 185W 120V
15	5020770	3" BOX FAN, CONNECTORS, 240V
16	BU-3007	7/8" SNAP BUSHING, BLACK
17	SC-22766	SCREW,M5x0.8X10MM PAN
18	SC-23102	SCREW,M3x0.5X10MM FLAT
19	NU-37268	NUT, HEX INSERT M5
20	SC-38830	SCREW,M5x0.8X20MM HEX
21	GD-38897	GUARD, SHELF, CLEAR
22	BU-3378	1 1/8" SNAP BUSHING
23	NU-37699	NUT, CAGE M12 X 1.75 THREAD
24	5022839R	GUARD ASSEMBLY, LOWER SHELF, CLEAR

# CORE PACKAGE, HSM-24/5S/T (208-240V)

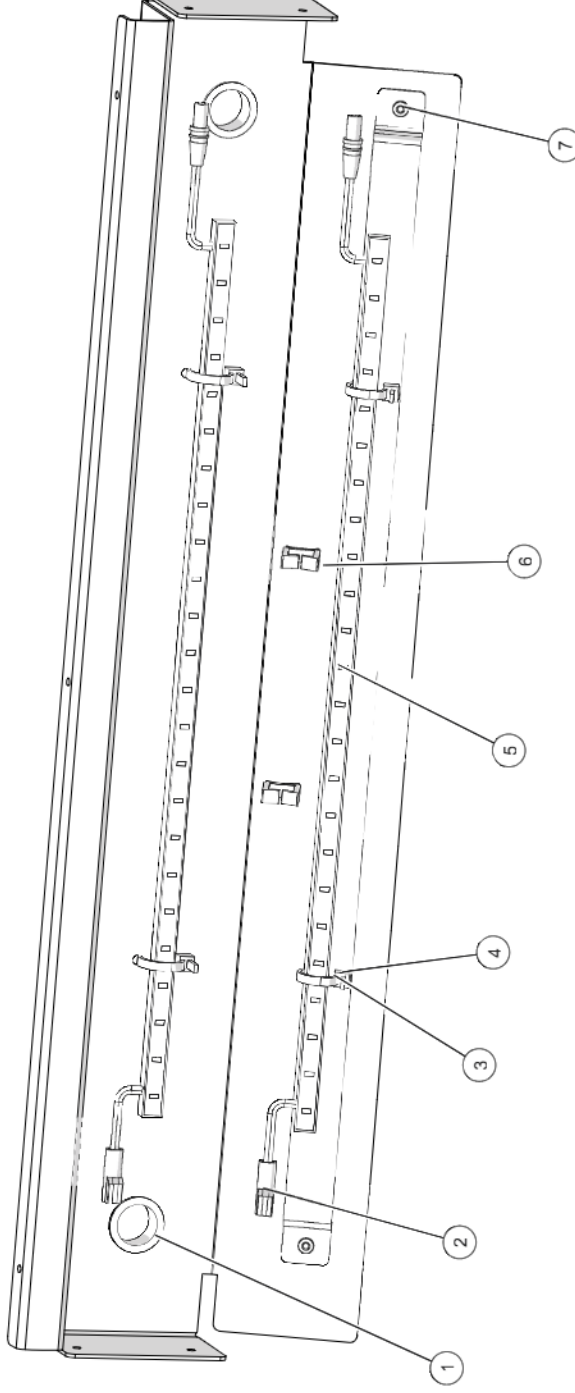
## Core Package, HSM-24/5S/T (208-240V)



ID	Part No.	Description
1	5021878R	CONTROL PANEL COVER ASSY
2	5032718	5 CONTROL ASSY, HSM-24/5S
3	SC-37701	SCREW, M4 X 8MM SEMS
4	LT-38488	LATCH, QUARTERTURN, SLOTTED,SS
5	5032621	SHELF,BASE,ASSEMBLY,TOP HEAT
6	BU-3378	1 1/8" SNAP BUSHING
7	5032620	SHELF,HEATED,C-STORE,ASSEMBLY
8	WS-39333	WASHER,CONICAL, SPRING LOCK,
9	SC-23102	SCREW,M3x0.5X10MM FLAT
11	5030236	GUARD KIT, CLEAR EXTRUSION, 24W
12	SW-36714	SWITCH,ROCKER,20A@120V,
13	BU-3007	7/8" SNAP BUSHING, BLACK
14	SC-22766	SCREW,M5x0.8X10MM PAN
15	5020770R	3" BOX FAN, CONNECTORS, 240V
16	5032627	ELEMENT, CALROD, 250W 240V
17	5032625	LED, MOUNT, ASSEMBLY, TOP HEAT
18	SC-38830	SCREW,M5x0.8X20MM HEX
19	LP-37100	LAMP, LED, 12V
20	GD-38897	GUARD, SHELF, CLEAR
21	SC-22273	SCREW,M4x0.7X10MM PAN
22	WS-22295	WASHER, FLAT M5 S/S
23	BU-3419	3/8" BLACK HOLE BUSHING
24	5022839R	GUARD ASSY, LOWER SHELF, CLEAR
25	BU-3013	BUSHING,SNAP,1 1/2"
26	NU-36319	NUT, M4, KEPS, ZINC PLATED

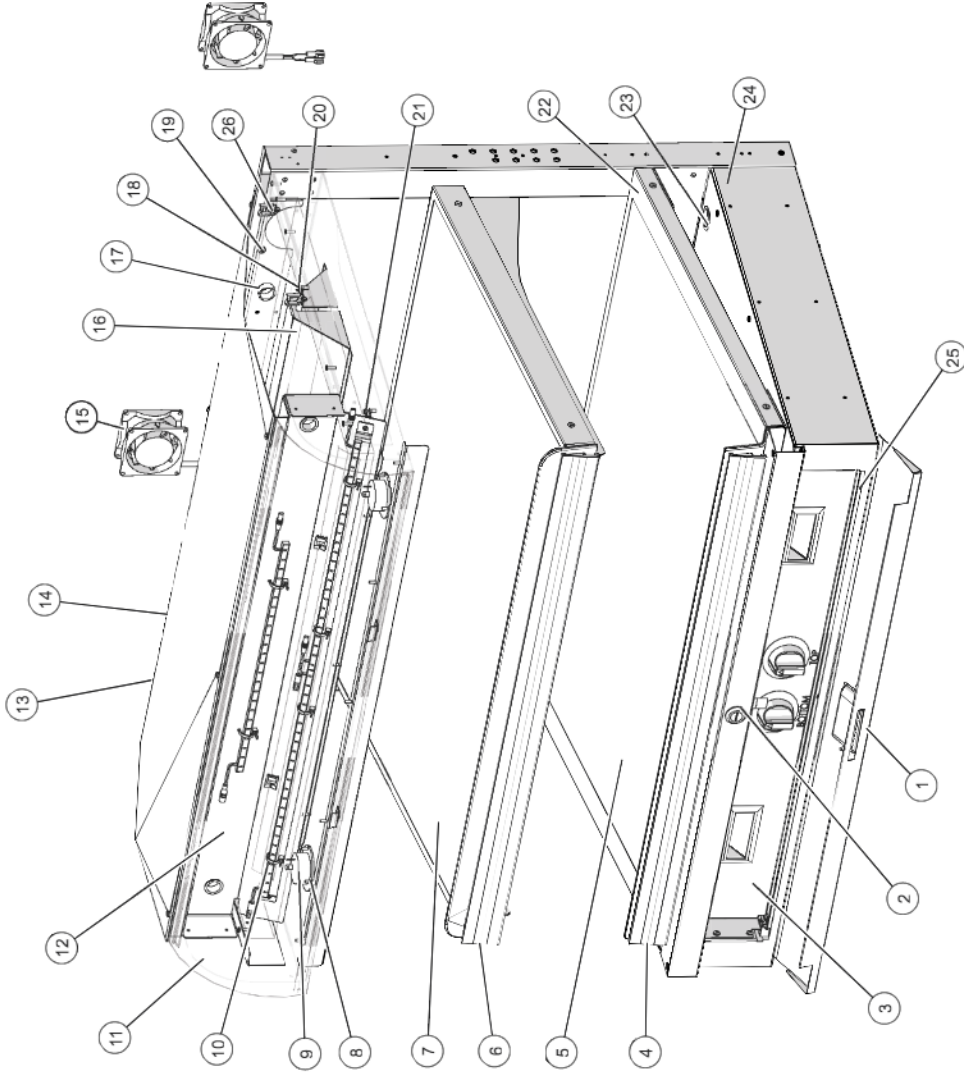
# LED Assembly, HSM-24

ID	Part No.	Description
1	BU-3007	7/8" SNAP BUSHING, BLACK
2	CR-33509	CONNECTOR, QUICK DISCONNECT
3	TI-3808	TIE, WIRE, 8", 140MM, NATURAL
4	1035846	BRACKET, LIGHT BAR STANDOFF
5	5023555	LIGHT, LED BAR, 2700K WARM WHITE, 16"
6	TI-35719	PUSH IN WIRE RETAINER
7	RI-27108	RIVET, SEALED



# CORE PACKAGE, HSM-36/2S/T (120V)

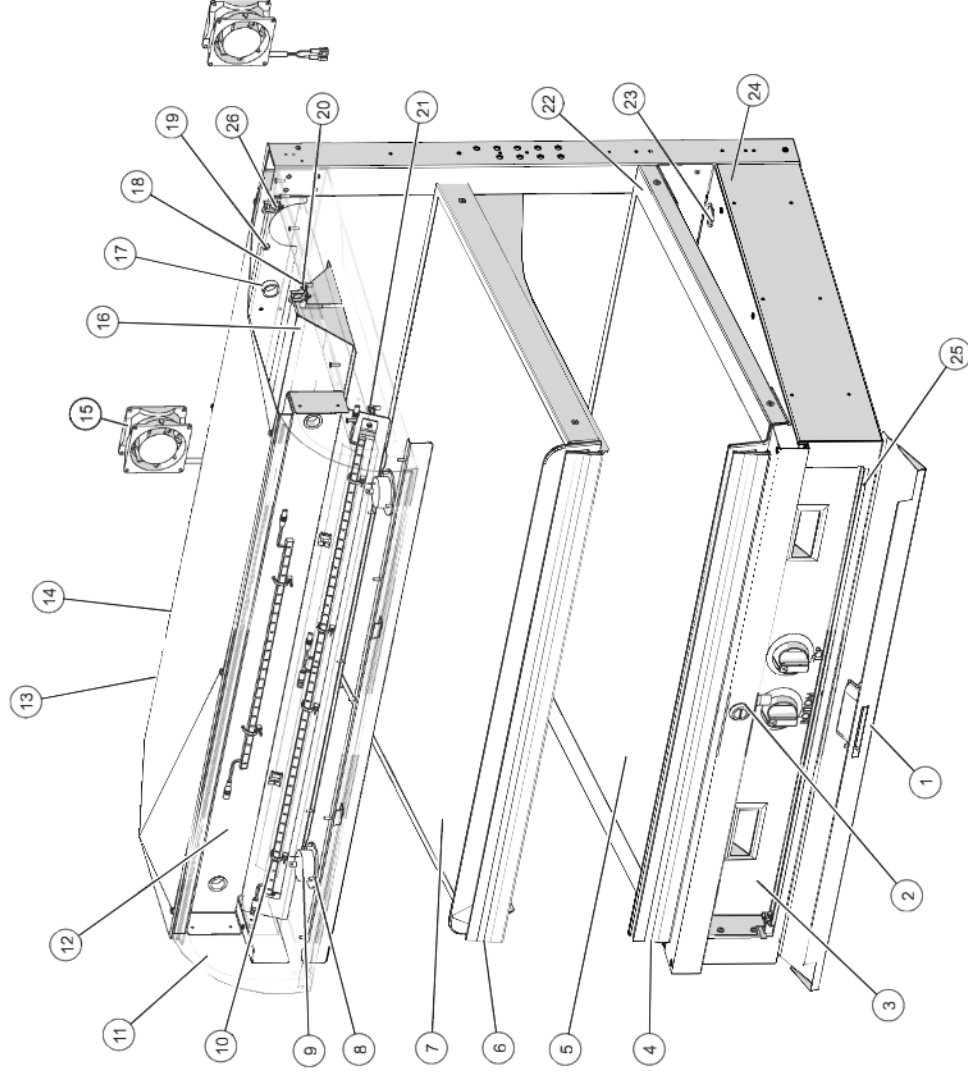
## Core Package, HSM-36/2S/T (120V)



ID	Part No.	Description
1	5022479	COVER PANEL ASSY, HSM-36/CT
2	LT-38488	LATCH, QUARTERTURN, SLOTTED,SS
3	5033873	CONTROL COMP ASSY, HSM-36
4	5022749R	KIT, LOWER GUARD, LEXAN
5	5034340	SHELF,BASE,120V/208V, TOP HEAT
6	GD-38571	GUARD, SHELF, CLEAR
7	5034338	SHELF,HEATED,120V, TOP HEAT
8	SC-23102	SCREW,M3x0.5X10MM FLAT
9	LP-37100	LAMP, LED, 12V
10	SW-36714	SWITCH,ROCKER,20A@120V,
11	GD-46876	GUARD, CLEAR EXTRUSION, 36W
12	5031898	LED, MOUNT, ASSEMBLY, TOP HEAT
13	5030237	KIT, FIELD INSTALL, TOP PANEL
14	SC-22273	SCREW,M4x0.7X10MM PAN
15	5020761	3" BOX FAN, CONNECTORS, 120V
16	1035045	REFLECTOR, BONNET, TOP HEAT
17	BU-3007	7/8" SNAP BUSHING, BLACK
18	EL-47748	ELEMENT, CALROD, 245W 120V
19	SC-22766	SCREW,M5x0.8X10MM PAN
20	SC-26791	SCREW, 10-32 X 1/4" PAN
21	1034658	REFLECTOR, SM, BONNET, TOP HEAT
22	TI-35719	TIE, TWIST LOCK 0.5" STANDOFF
23	BU-3378	1 1/8" SNAP BUSHING
24	SC-37702	SCREW, M4 X 12MM SEMS
25	SC-22271	SCREW,M4 X 6MM PH PAN HD M/S .7
26	CL-38422	RETAINER, WIRE, SQUARE, PUSH IN



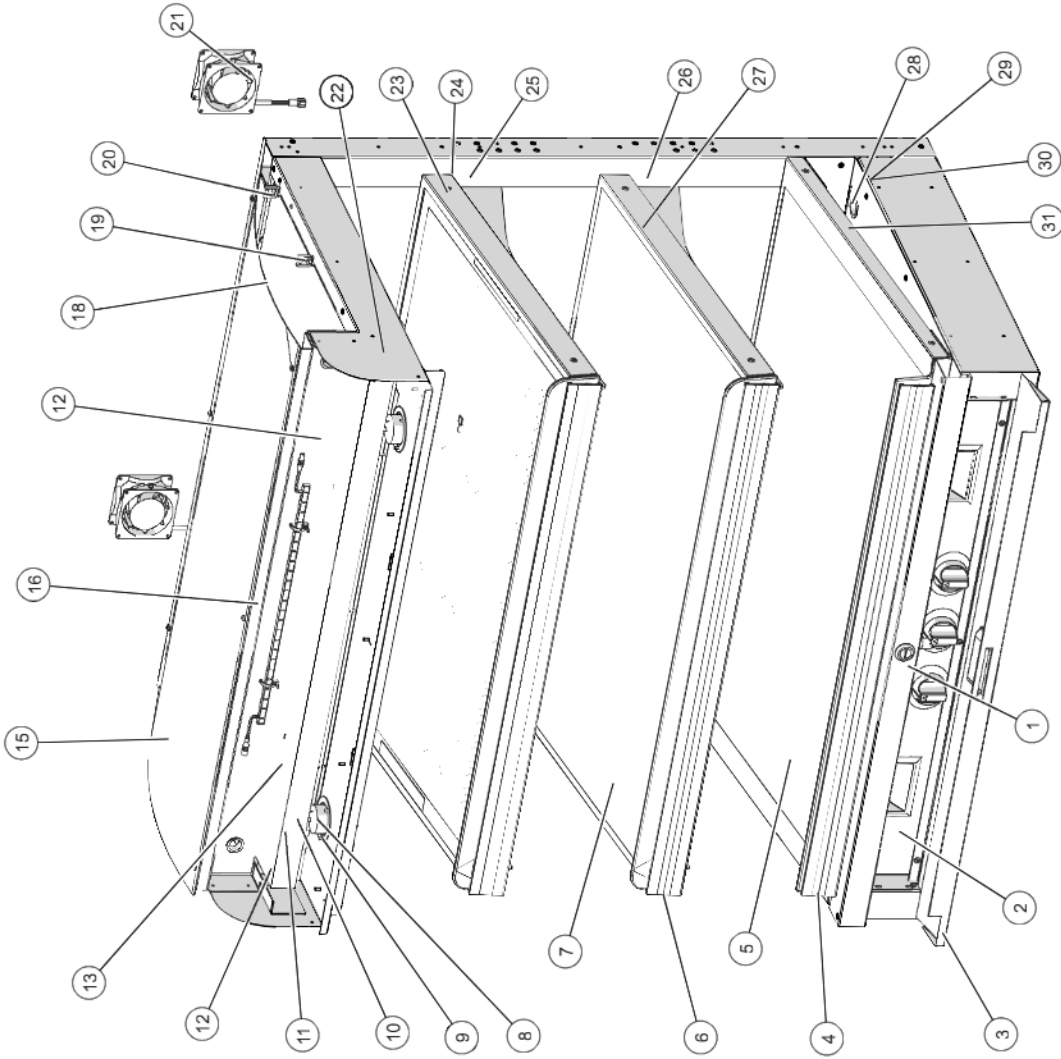
# Core Package, HSM-36/2S/T (208-240V)



ID	Part No.	Description
1	5022479	COVER PANEL ASSY, HSM-36/CT
2	LT-38488	LATCH, QUARTERTURN, SLOTTED,SS
3	5033873	CONTROL COMP ASSY, HSM-36
4	5022749R	KIT, LOWER GUARD, LEXAN
5	5034340	SHELF,BASE,120V/208V,TOP HEAT
6	GD-38571	GUARD, SHELF, CLEAR
7	5034338	SHELF,HEATED,120V,TOP HEAT
8	SC-23102	SCREW,M3x0.5X10MM FLAT
9	LP-37100	LAMP, LED, 12V
10	SW-36714	SWITCH,ROCKER,20A@120V,
11	GD-46876	GUARD, CLEAR EXTRUSION, 36W
12	5031898	LED, MOUNT, ASSEMBLY, TOP HEAT
13	5030237	KIT, FIELD INSTALL, TOP PANEL
14	SC-22273	SCREW,M4x0.7X10MM PAN
15	5020761	3" BOX FAN, CONNECTORS, 120V
16	1035045	REFLECTOR, BONNET, TOP HEAT
17	BU-3007	7/8" SNAP BUSHING, BLACK
18	EL-47748	ELEMENT, CALROD, 245W 120V
19	SC-22766	SCREW,M5x0.8X10MM PAN
20	SC-26791	SCREW, 10-32 X 1/4" PAN
21	1034658	REFLECTOR, SM, BONNET, TOP HEAT
22	TI-35719	TIE, TWIST LOCK 0.5" STANDOFF
23	BU-3378	1 1/8" SNAP BUSHING
24	SC-37702	SCREW, M4 X 12MM SEMS
25	SC-22271	SCREW,M4 X 6MM PH PAN HD M/S .7
26	CL-38422	RETAINER,WIRE,SQUARE,PUSH IN

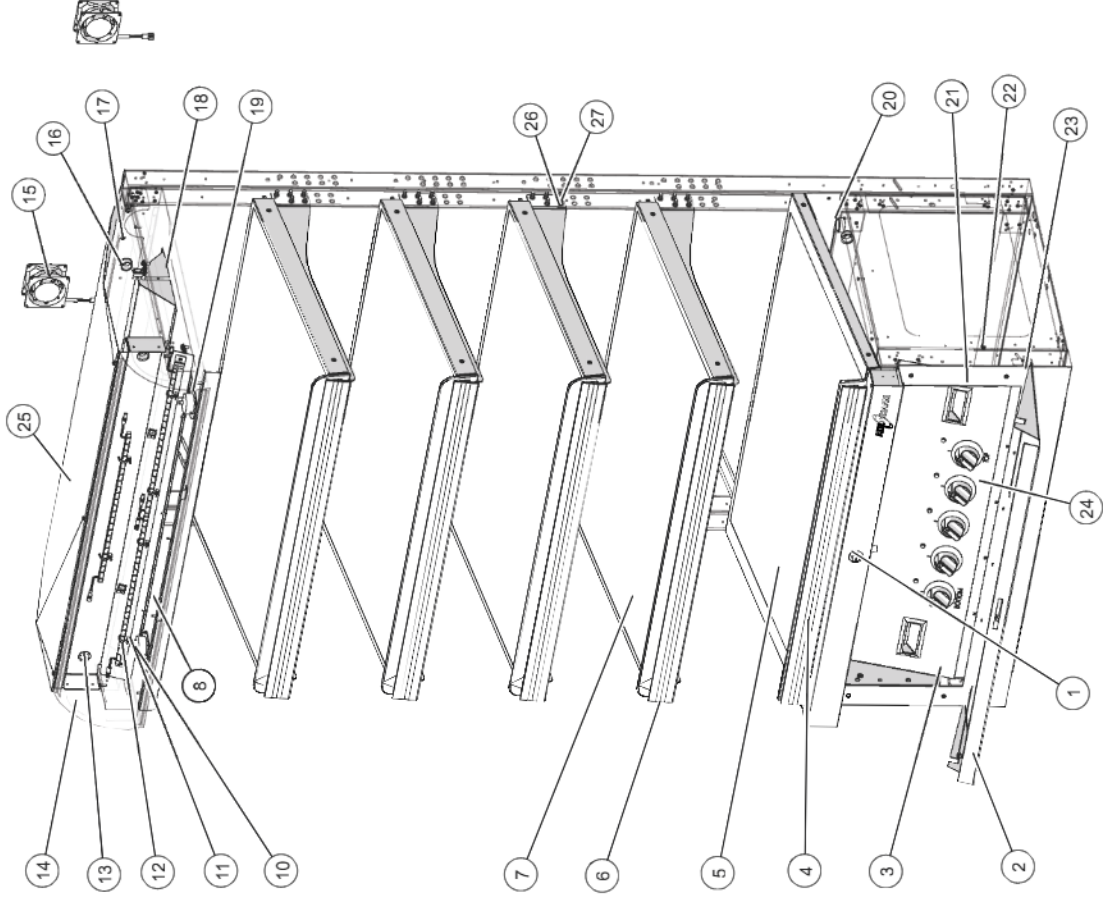
# CORE PACKAGE, HSM-36/3S/T

## Core Package, HSM-36/3S/T



ID	Part No.	Description
1	LT-38488	LATCH, QUARTERTURN, SLOTTED,SS
2	5033019	CONTROL COMP ASSY, HSM-36
3	5022479R	COVER PANEL ASSY, HSM-36/CT
4	5022749R	KIT, LOWER GUARD, LEXAN
5	5032007	SHELF,BASE,ASSEMBLY, TOP HEAT
6	GD-38571	GUARD, SHELF, CLEAR
7	5031816	SHELF,HEATED,C-STORE,ASSEMBLY
8	LP-37100	LAMP, LED, 12V
9	SC-23102	SCREW,M3X0.5X10MM FLAT
10	SC-22378	8-32 X 3/8" TRUSS HEAD SCREW
11	SW-36714	SWITCH,ROCKER,20A@120V,
12	5031898	LED, MOUNT, ASSEMBLY, TOP HEAT
13	1034658	REFLECTOR, SM, BONNET, TOP HEAT
15	5030237	KIT, FIELD INSTALL, TOP PANEL
16	5032605	ELEMENT, CALROD, 250W 240V
18	BU-3007	7/8" SNAP BUSHING, BLACK
19	TI-35719	PUSH IN WIRE RETAINER
20	SC-22766	SCREW,M5X0.8X10MM PAN
21	5020770R	3" BOX FAN, CONNECTORS, 240V
22	SC-2070	SCREW, 10-32 X 1/2" PAN
23	SC-23141	SCREW,M4X0.7X14MM FLAT
24	SC-38830	SCREW,M5X0.8X20MM HEX
25	WS-22295	WASHER, FLAT M5 S/S
26	WS-39333	WASHER, CONICAL, SPRING LOCK,
27	WS-22301	WASHER, M5 SPLIT LOCK
28	BU-3378	1 1/8" SNAP BUSHING
29	WS-22294	WASHER, FLAT M4 18-8 S/S
30	WS-22300	WASHER, M4 SPLIT LOCK
31	SC-22273	SCREW,M4X0.7X10MM PAN

# Core Package, HSM-36/5S/T

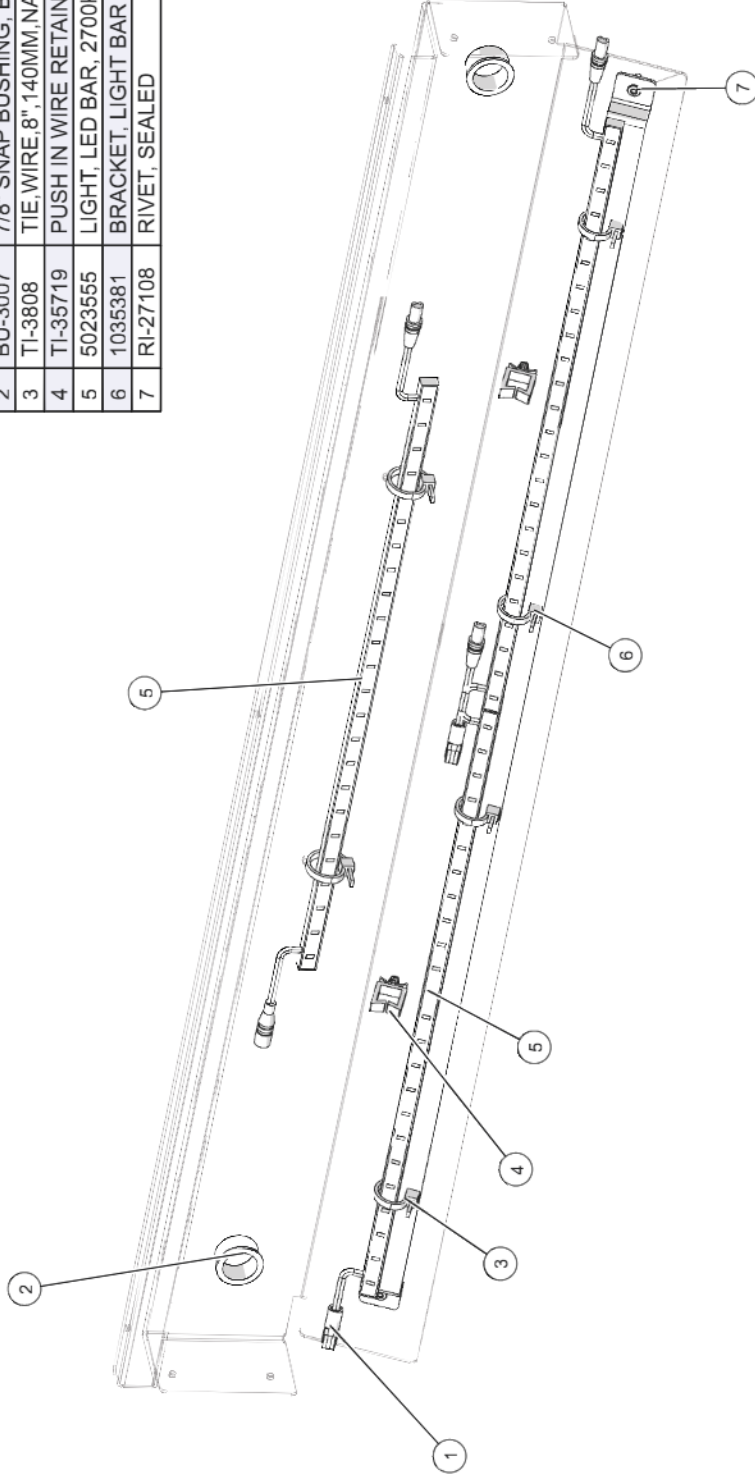


ID	Part No.	Description
1	LT-38488	LATCH, QUARTERTURN, SLOTTED,SS
2	5022274R	CONTROL PANEL COVER ASSY
3	5032720	5 CONTROL ASSEMBLY
4	5022749R	GUARD KIT, LEXAN, LOWER, HSM-36
5	5032611R	SHELF,BASE,ASSEMBLY,TOP HEAT
6	GD-38571	GUARD, SHELF, CLEAR
7	5031816	SHELF,HEATED,C-STORE,ASSEMBLY
8	1034658	REFLECTOR, SM, BONNET,TOP HEAT
10	LP-37100	LAMP, LED, 12V
11	5032605	ELEMENT, CALROD, 250W 240V
12	SW-36714	SWITCH,ROCKER,20A@120V,
13	5031898	LED, MOUNT, ASSEMBLY, TOP HEAT
14	GD-46876	GUARD, CLEAR EXTRUSION, 36W
15	5020770R	3" BOX FAN, CONNECTORS, 240V
16	BU-3007	7/8" SNAP BUSHING, BLACK
17	SC-22766	SCREW,M5x0.8X10MM PAN
18	1035045	REFLECTOR, BONNET, TOP HEAT
19	SC-23102	SCREW,M3x0.5X10MM FLAT
20	BU-3378	1 1/8" SNAP BUSHING
21	SC-37701	SCREW, M4 X 8MM SEMS
22	SC-22273	SCREW,M4x0.7X10MM PAN
23	SC-22766	SCREW, PAN HEAD PHILLIPS
24	BU-3013	BUSHING,SNAP,1 1/2"
25	5030237	KIT, FIELD INSTALL, TOP PANEL
26	WS-39333	WASHER,CONICAL, SPRING LOCK,
27	WS-22295	WASHER, FLAT M5 S/S
28	5032639	WIRE ASSY, 208-240V COMMON (not shown)

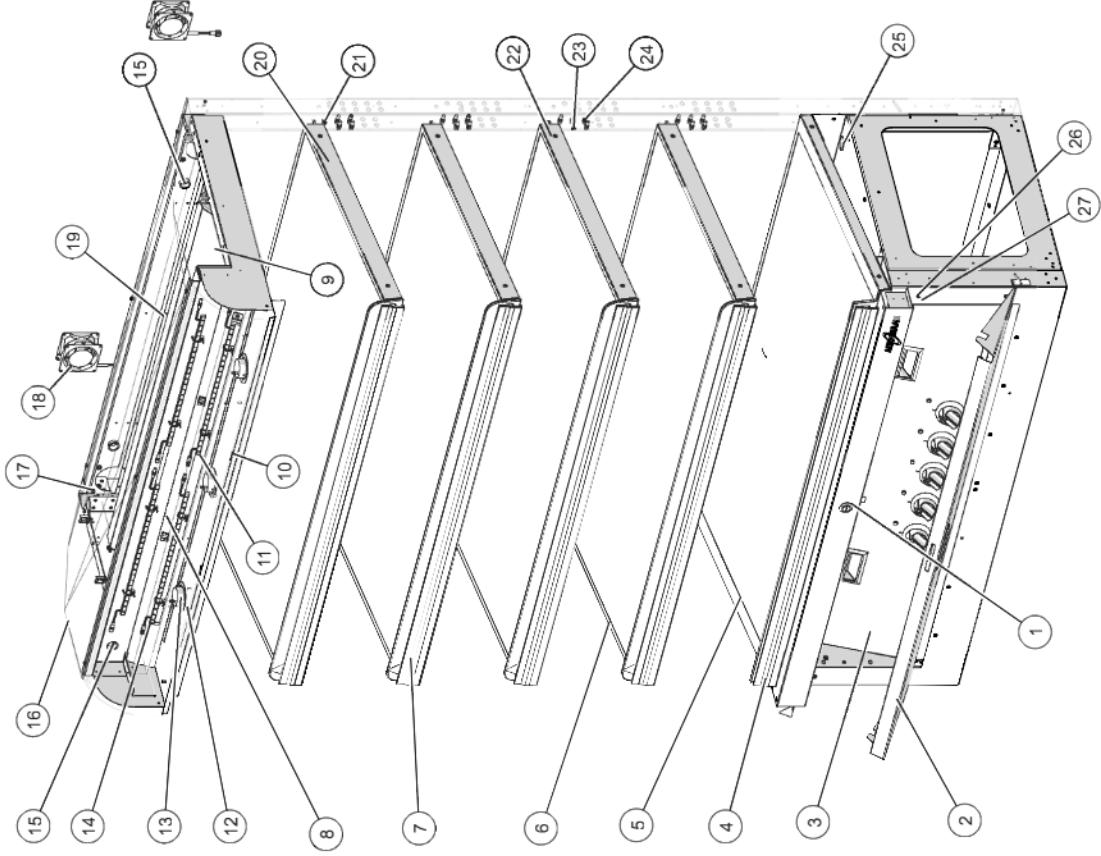


# LED Assembly, HSM-36

ID	Part No.	Description
1	CR-33509	CONNECTOR, QUICK DISCONNECT
2	BU-3007	7/8" SNAP BUSHING, BLACK
3	TI-3808	TIE WIRE, 8", 140MM, NATURAL
4	TI-35719	PUSH IN WIRE RETAINER
5	5023555	LIGHT, LED BAR, 2700K WARM WHITE, 16"
6	1035381	BRACKET, LIGHT BAR STANDOFF
7	RI-27108	RIVET, SEALED



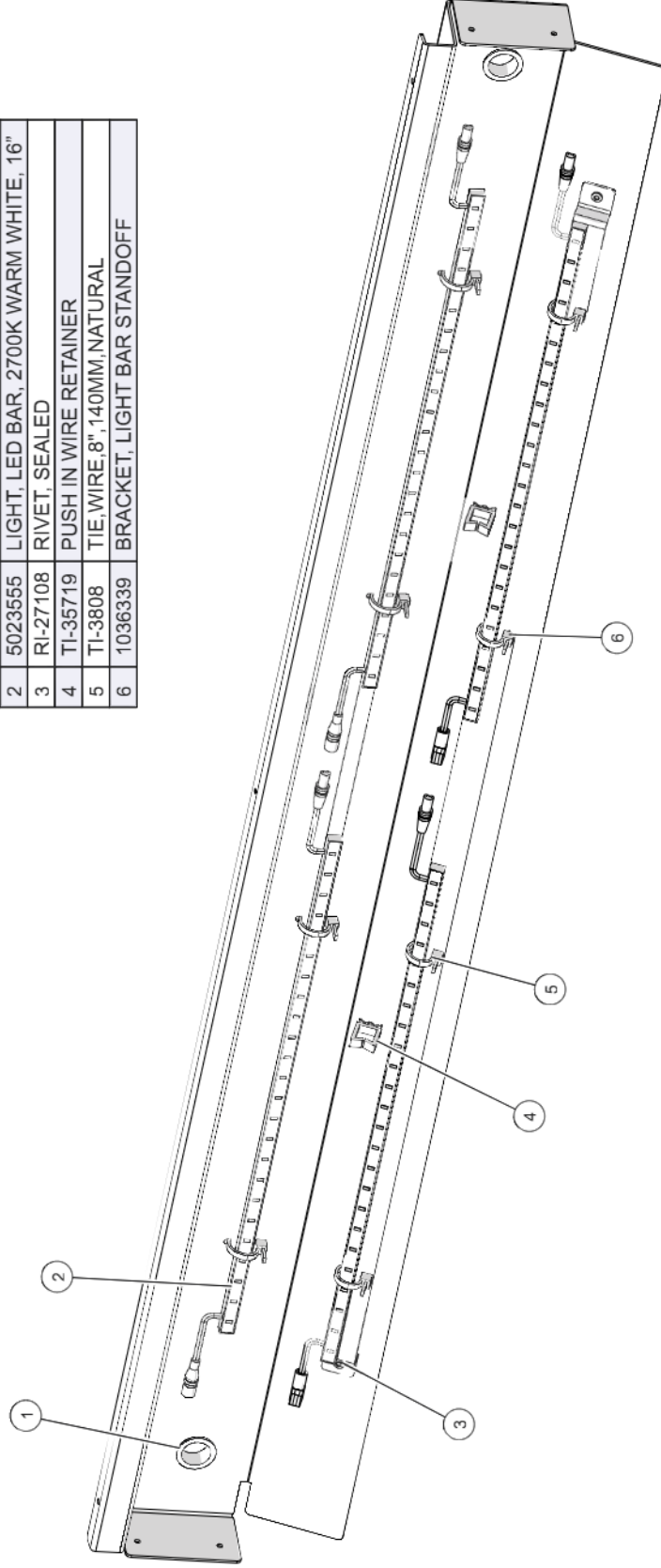
# Core Package, HSM-48/5S/T



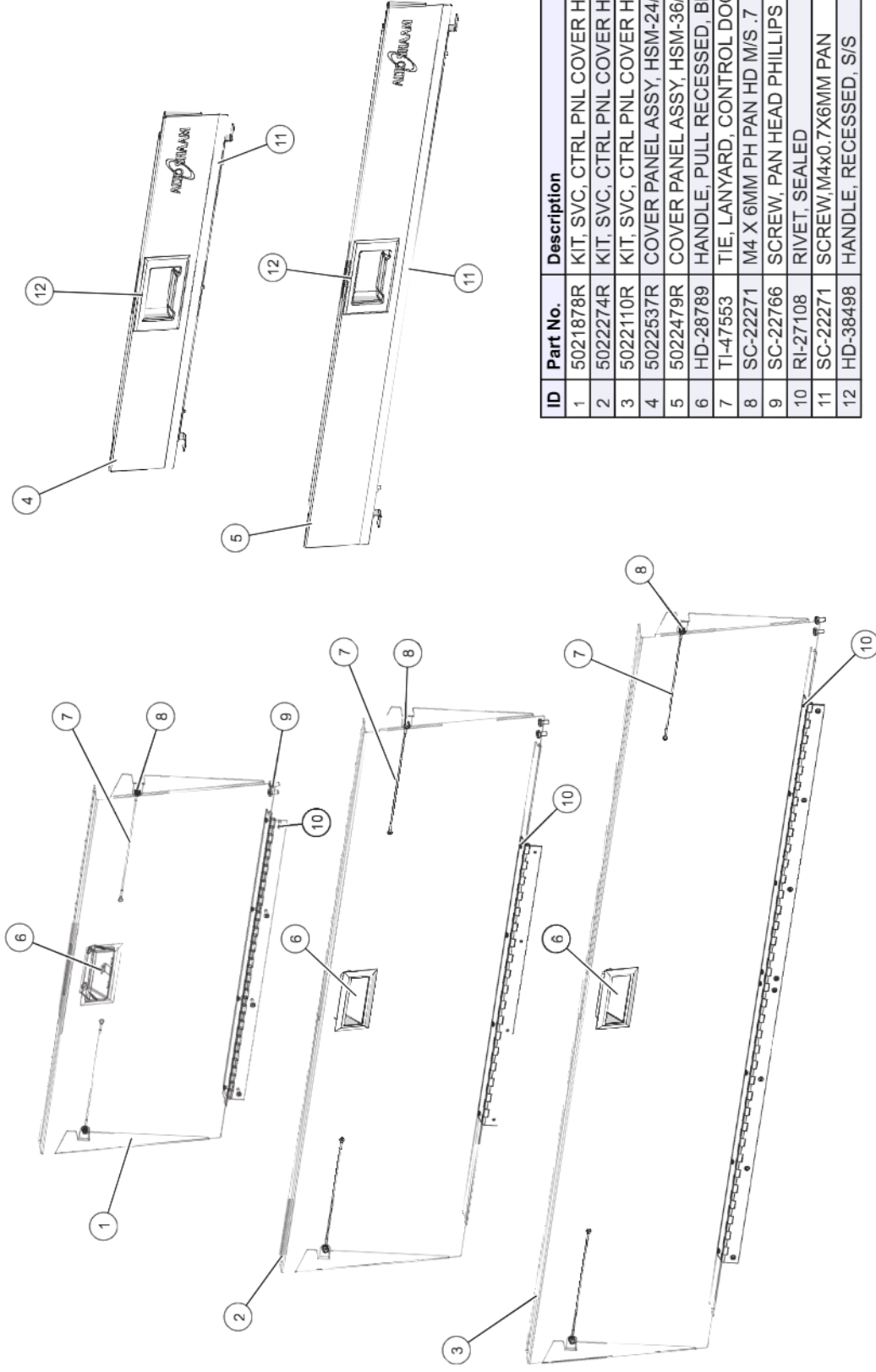
ID	Part No.	Description
1	LT-38488	LATCH, QUARTERTURN, SLOTTED,SS
2	5022110R	CONTROL PANEL COVER ASSY
3	5032998R	5 CONTROL COMP ASSY, HSM-48/5S
4	5032611	SVC KIT, GUARD, LEXAN, LOWER, HSM-48
5	5033001	SHELF,BASE,ASSEMBLY, TOP HEAT
6	5032971	SHELF,HEATED,C-STORE,ASSEMBLY
7	GD-38898	GUARD, SHELF, CLEAR
8	5032998R	LED, MOUNT, ASSEMBLY, TOP HEAT
9	1036340	REFLECTOR, BONNET, TOP HEAT
10	1033273	TAB, PLASTIC GUARD CONSTRAINT
11	1036280	REFLECTOR, SM, BONNET, TOP HEAT
12	LP-37100	LAMP, LED, 12V
13	SC-23102	SCREW, M3x0.5X10MM FLAT
14	SW-36714	SWITCH,ROCKER,20A@120V,
15	BU-3007	7/8" SNAP BUSHING, BLACK
16	5030370	PANEL, COVER, TOP
17	SC-22766	SCREW, PAN HEAD PHILLIPS
18	5020770	3" BOX FAN, CONNECTORS, 240V
19	5034044	KIT, CALROD ELEMENT, 333W 240V
20	SC-37702	SCREW, M4 X 12MM SEMS
21	WS-22295	WASHER, FLAT M5 S/S
22	BU-3419	3/8" BLACK HOLE BUSHING
23	WS-39333	WASHER, CONICAL, SPRING LOCK,
24	SC-38830	SCREW, M5x0.8X20MM HEX
25	BU-3378	1 1/8" SNAP BUSHING
26	SC-2227	SCREW, M4x0.7X
27	SC-37701	SCREW, M4 X 8MM SEMS

# LED Assembly, HSM-48

ID	Part No.	Description
1	BU-3007	7/8" SNAP BUSHING, BLACK
2	5023555	LIGHT, LED BAR, 2700K WARM WHITE, 16"
3	RI-27108	RIVET, SEALED
4	TI-35719	PUSH IN WIRE RETAINER
5	TI-3808	TIE WIRE, 8", 140MM, NATURAL
6	1036339	BRACKET, LIGHT BAR STANDOFF



# Control Panel Cover Assemblies

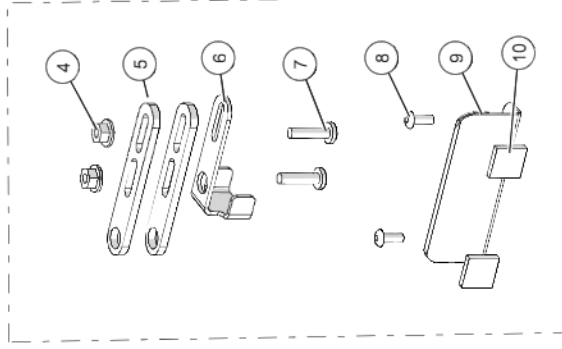
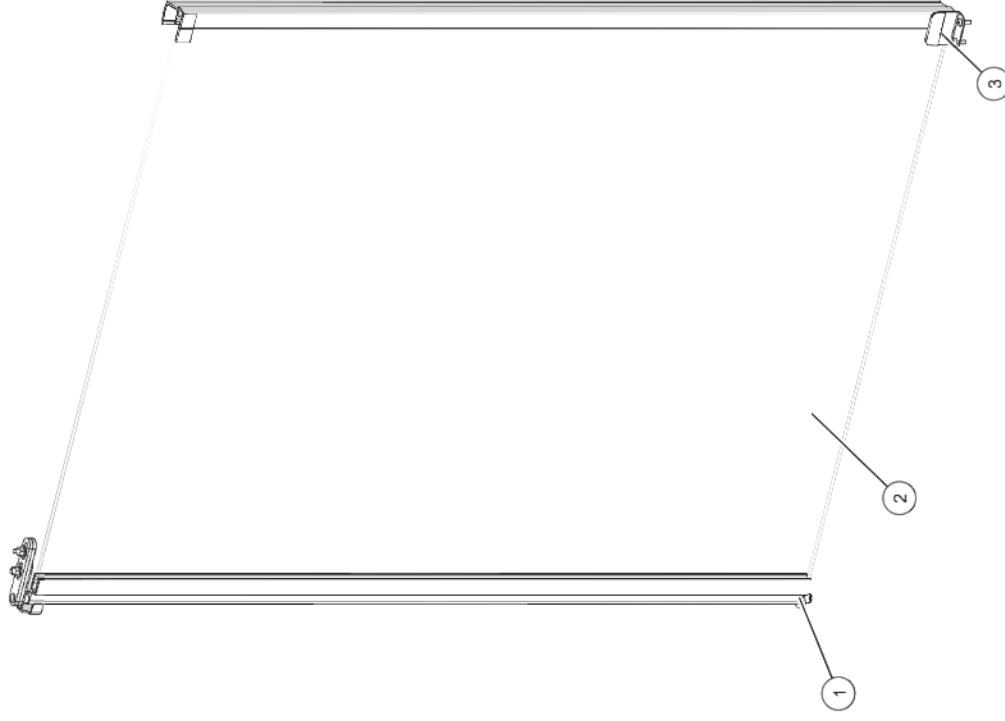


ID	Part No.	Description
1	5021878R	KIT, SVC, CTRL PNL COVER HSM-24
2	5022274R	KIT, SVC, CTRL PNL COVER HSM-36
3	5022110R	KIT, SVC, CTRL PNL COVER HSM-48
4	5022537R	COVER PANEL ASSY, HSM-24/CT
5	5022479R	COVER PANEL ASSY, HSM-36/CT
6	HD-28789	HANDLE, PULL RECESSED, BLACK
7	TI-47553	TIE, LANYARD, CONTROL DOOR
8	SC-22271	M4 X 6MM PH PAN HD M/S .7
9	SC-22766	SCREW, PAN HEAD PHILLIPS
10	RI-27108	RIVET, SEALED
11	SC-22271	SCREW,M4x0.7X6MM PAN
12	HD-38498	HANDLE, RECESSED, S/S

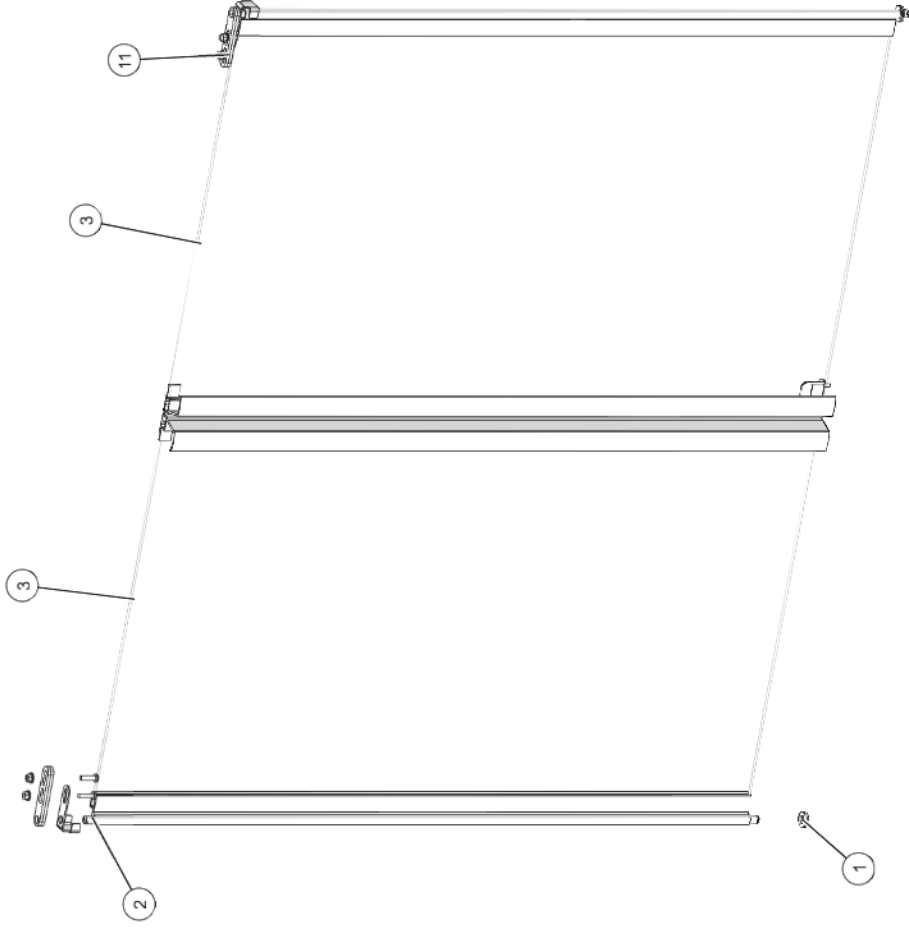
# FRONT DOOR, HSM-24/CT

## Front Door, HSM-24/CT

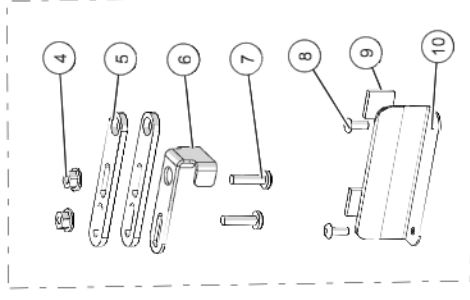
ID	Part No.	Description
1	WS-22298	WASHER, M8, 18-8
2	DR-39041	DOOR, SWINGING, FRONT
2a	5018753R	FRONT DOOR PKG, FIELD INSTALL (opt)
3	TA-24637	TAPE, TWO SIDED, VHB, 0.5" L
4	NU-39180	NUT, M4-0.7 HEX FLG-SERR CL8 SS
5	1016925	DOOR HINGE PIN
6	1024721	STOP, DOOR, FRONT
7	SC-38240	SCREW, M4X0.7X16MM PAN
8	RI-38125	RIVET, SEALED, .125"
9	1023958	BRACKET, MAGNET PLATE,
10	MA-39313	MAGNET, 0.5" X 0.5" X 0.1"
11	9553	DRILL BIT, #30, DOUBLE END (not shown)
12	SRV-20155	SERVICE DOC, HSM FRONT DOOR (not shown)



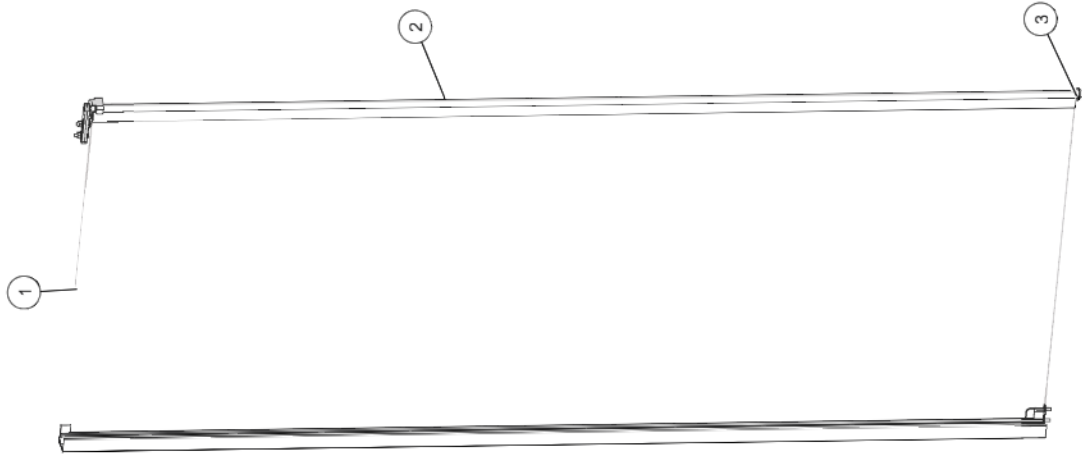
# Front Door, HSM-36/CT



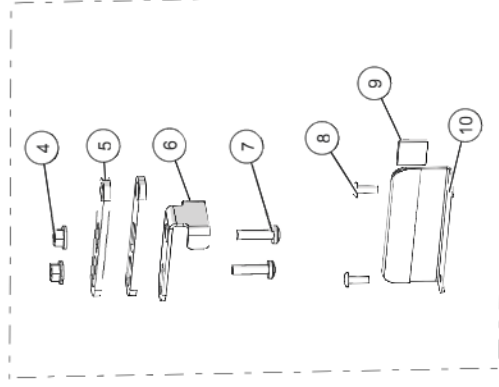
ID	Part No.	Description
1	WS-22298	WASHER, M8, 18-8
2	DR-39027	PIN, HINGE, SWINGING DOOR
3	DR-39039	DOOR, SWINGING, FRONT
3a	5018799R	FIELD INSTALLATION KIT, FRONT DOOR PKG (opt.)
4	NU-M4-0.7	NUT, M4-0.7 HEX FLG-SERR CL8 SS
5	1016925	DOOR HINGE PIN
6	1024721	STOP, DOOR, FRONT
7	SC-38240	SCREW, M4X0.7X16MM PAN
8	RI-38125	RIVET, SEALED, .125"
9	MA-39313	MAGNET, 0.5" X 0.5" X 0.1"
10	1023343	BRACKET, MAGNET PLATE, REAR
11	SC-38240	SCREW, M4X0.7X16MM PAN
12	9535	DRILL BIT, #30 DOUBLE END (not shown)
13	SRV-20155	SERVICE DOC, HSM FRONT DOOR (not shown)



## Front Door, HSM-24/5S/T

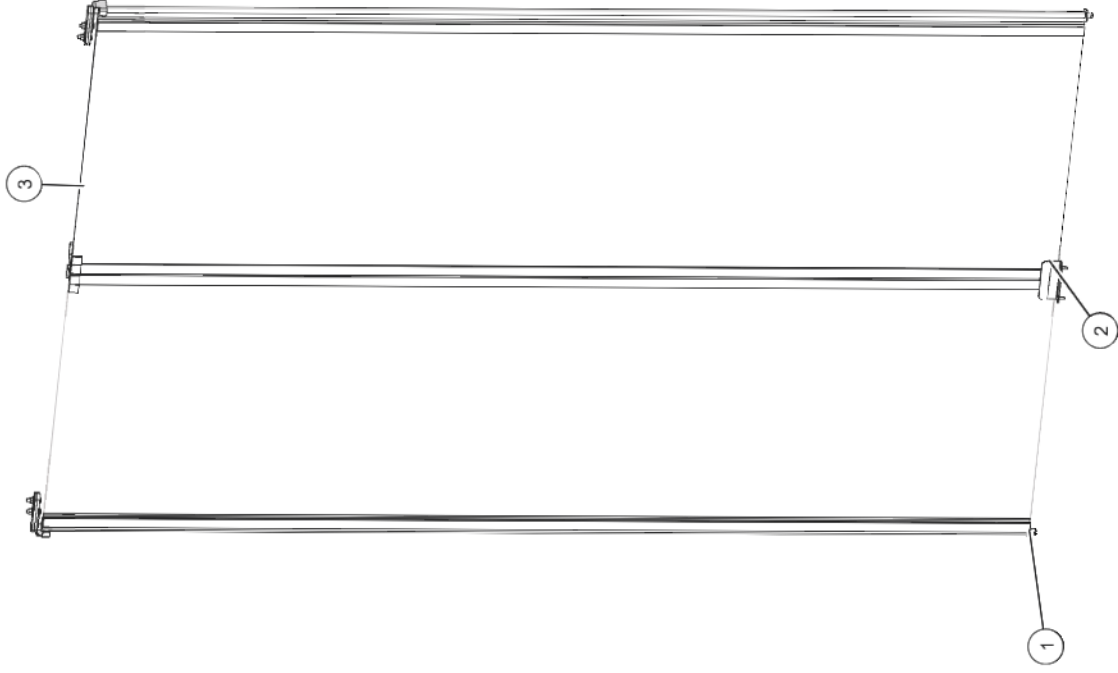


ID	Part No.	Description
1	DR-39037	DOOR, SWINGING, FRONT
1a	5018425R	SERVICE KIT, FRONT SWINGING DOOR (opt)
2	TA-24637	TAPE, TWO SIDED, VHB, 0.5" L
3	WS-22298	WASHER, M8, 18-8
4	NU-39180	NUT, M4-0.7 HEX FLG-SERR CL8 SS
5	1016925	DOOR HINGE PIN
6	1024721	STOP, DOOR, FRONT
7	SC-38240	SCREW, M4x0.7X16MM PAN
8	RI-38125	RIVET, SEALED, .125"
9	MA-39313	MAGNET, 0.5" X 0.5" X 0.1"
10	1023958	BRACKET, MAGNET PLATE, REAR
11	9553	DRILL BIT, #30 DOUBLE END (not shown)
12	SRV-20155	SERVICE DOC, FRONT DOOR KIT (not shown)

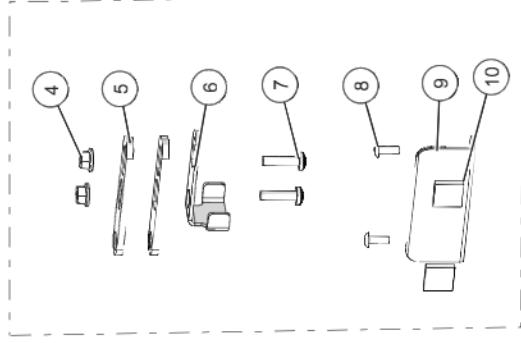




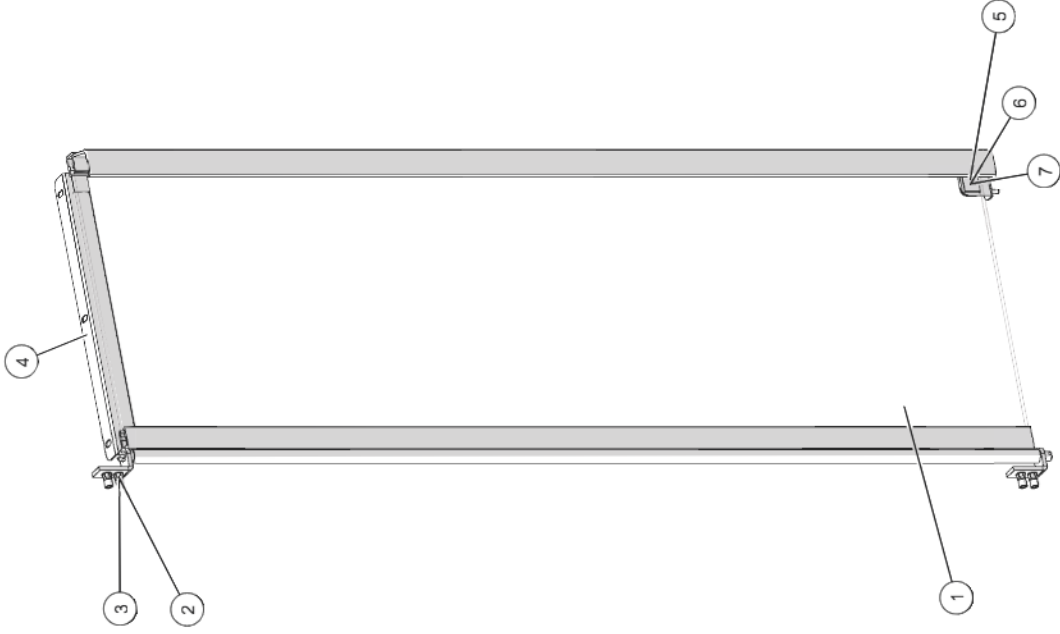
# Front Door, HSM-36/5S/T



ID	Part No.	Description
1	WS-22298	WASHER, M8, 18-8
2	TA-24637	TAPE, TWO SIDED, VHB, 0.5" L
3	DR-39035	DOOR, SWINGING, FRONT
3a	5018440R	FRONT DOOR PKG SERVICE KIT
4	NU-39180	NUT, M4-0.7 HEX FLG-SERR CL8 SS
5	1016925	DOOR HINGE PIN
6	1024721	STOP, DOOR, FRONT
7	SC-38240	SCREW, M4x0.7X16MM PAN
8	RI-38125	RIVET, SEALED, .125"
9	1023343	BRACKET, MAGNET PLATE, REAR
10	MA-39313	MAGNET, 0.5" X 0.5" X 0.1"
11	9535	DRILL BIT, #30, DOUBLE END (not shown)
12	SRV-20155	SERVICE DOC, HSM FRONT DOOR (not shown)

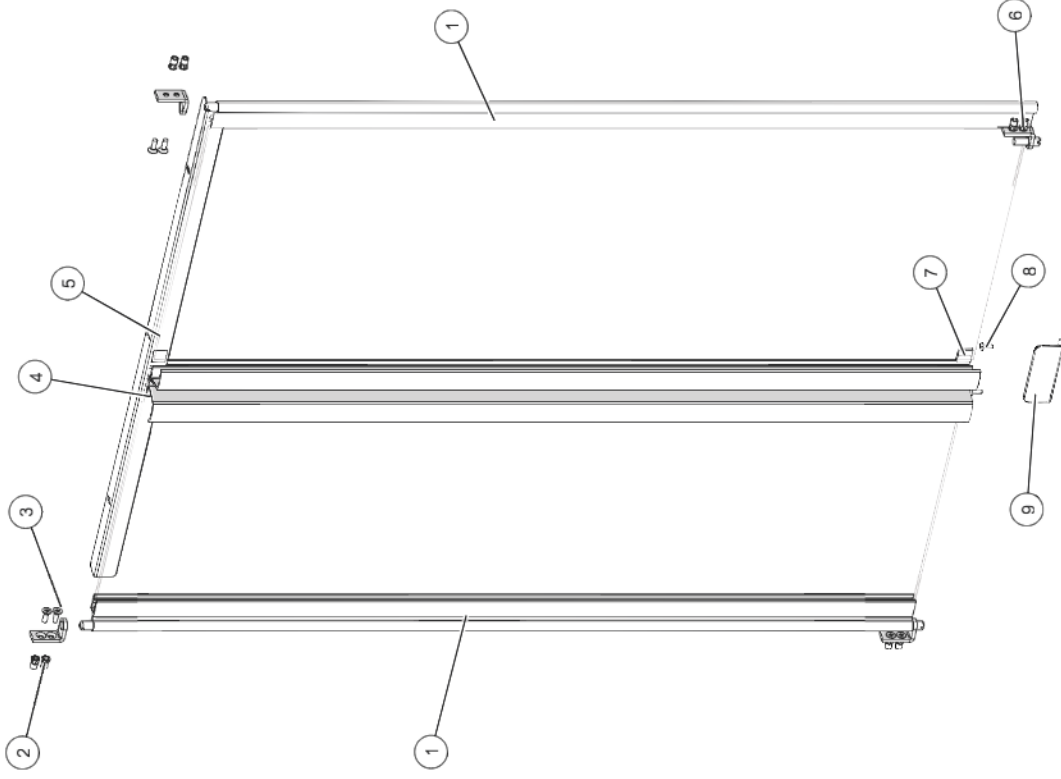


## Rear Swinging Door, HSM-24/CT



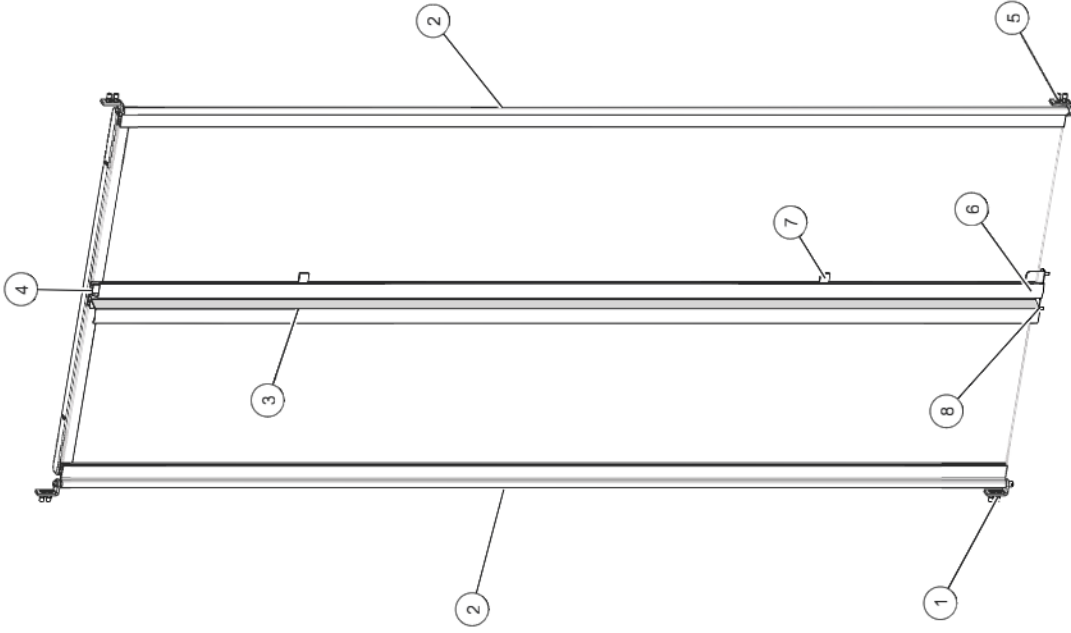
ID	Part No.	Description
1	DR-39042	DOOR, SWINGING, REAR
2	SC-23141	SCREW, M4x0.7X14MM FLAT
3	NU-26866	NUT, HEX INSERT M4
4	1023965	PLATE, MAGNET, REAR, TOP
5	1023958	BRACKET, MAGNET PLATE, REAR
6	MA-39313	MAGNET, 0.5" X 0.5" X 0.1"
7	TA-24637	TAPE, TWO SIDED, VHB, 0.5" L

# Rear Swinging Doors, HSM-36/3S/T



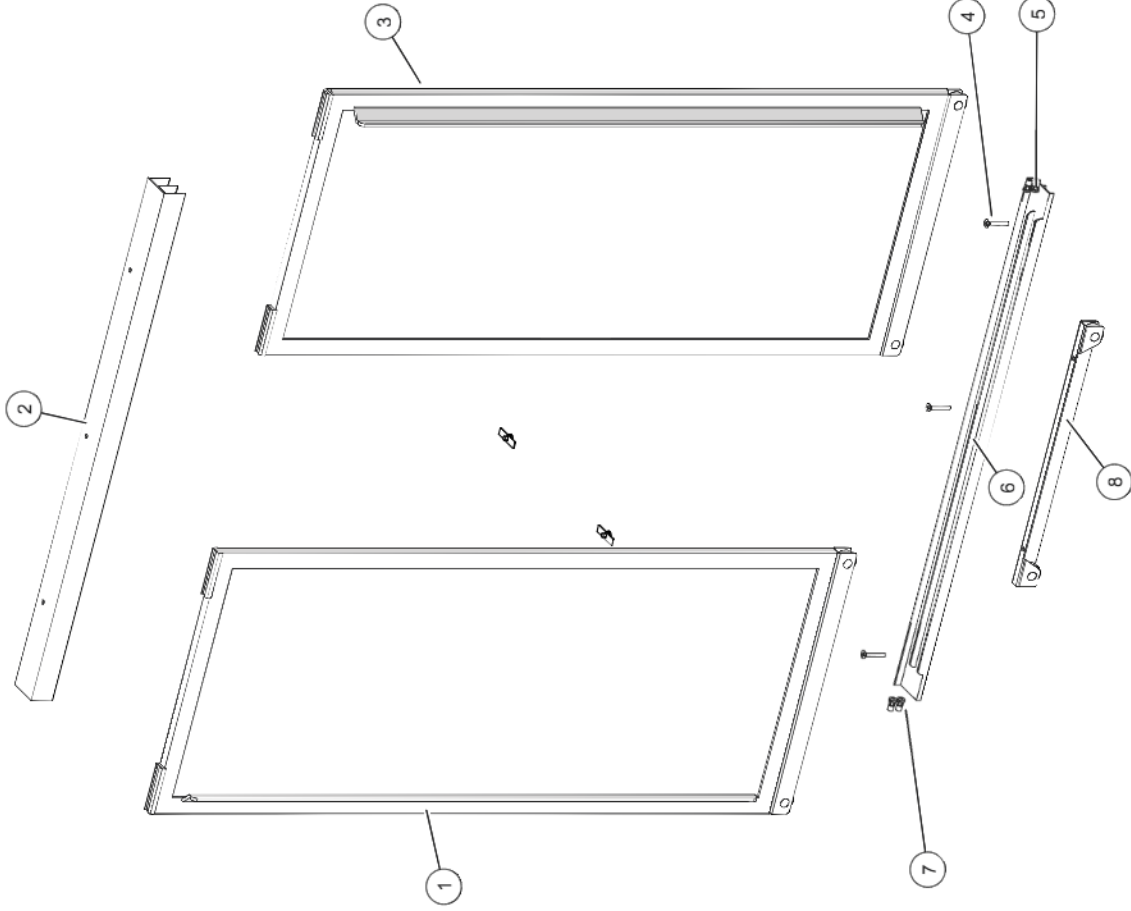
ID	Part No.	Description
1	DR-39040	DOOR, SWINGING, REAR
2	NUJ-26866	NUT, HEX INSERT M4
3	SC-23141	SCREW,M4X0.7X14MM FLAT
4	TA-24637	TAPE,TWO SIDED,VHB,0.5" L
5	1023966	PLATE, MAGNET, REAR, TOP
6	SC-23141	SCREW,M4X0.7X14MM FLAT
7	MA-39313	MAGNET, 0.5" X 0.5" X 0.1"
8	RI-38125	RIVET,SEALED,.125"
9	1023343	BRACKET, MAGNET PLATE, REAR

## Rear Swinging Doors, HSM-36/5S/T



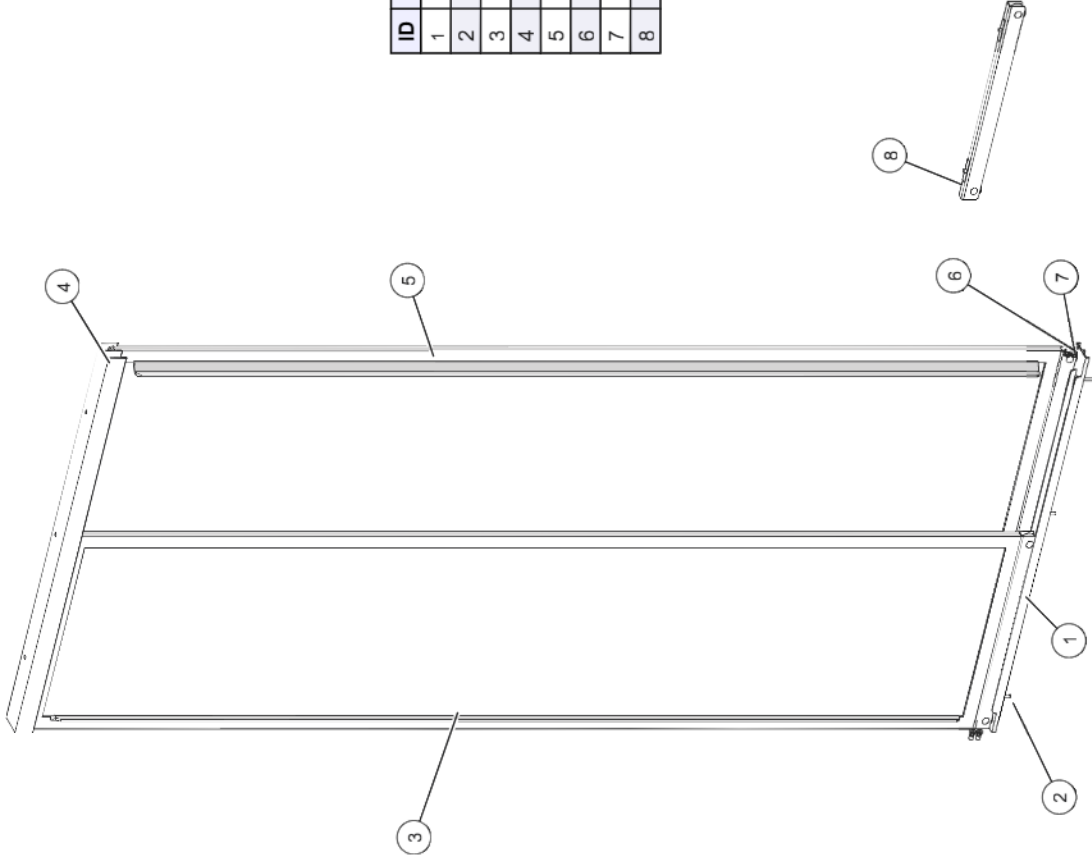
ID	Part No.	Description
1	NU-26866	NUT, HEX INSERT M4
2	DR-39036	DOOR, SWINGING, REAR
3	MA-39313	MAGNET, 0.5" X 0.5" X 0.1"
4	1023966	PLATE, MAGNET, REAR, TOP
5	SC-23141	SCREW, M4x0.7X14MM FLAT
6	1023343	BRACKET, MAGNET PLATE, REAR
7	TA-24637	TAPE, TWO SIDED, VHB, 0.5" L
8	RI-38125	RIVET, SEALED, .125"

# Rear Sliding Doors, HSM-36/CT



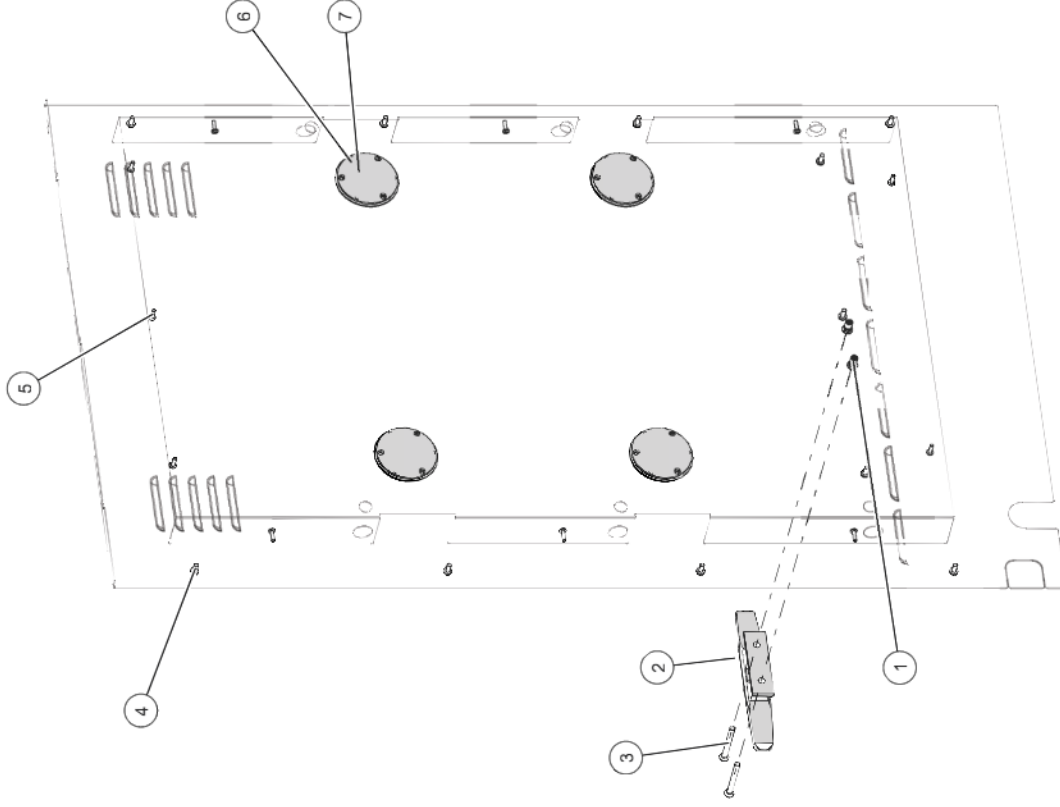
ID	Part No.	Description
1	DR-39048	DOOR, LEFT, SLIDING
2	TK-39045	TRACK, TOP, SLIDE DOOR
3	DR-39047	DOOR, RIGHT, SLIDING
4	SC-28263	SCREW, M4x0.7X25MM FLAT
5	SC-22273	SCREW, M4x0.7X10MM PAN
6	TK-39046	TRACK, BOTTOM, SLIDE DOOR
7	NUJ-26866	NUT, HEX INSERT M4
8	5031460R	BEARING BRACKET KIT

## Rear Sliding Doors, HSM-36/5S



ID	Part No.	Description
1	TK-39046	TRACK, BOTTOM, SLIDE DOOR
2	SC-28263	SCREW,M4x0.7X25MM FLAT
3	DR-39044	DOOR, LEFT, SLIDING
4	TK-39045	TRACK, TOP, SLIDE DOOR
5	DR-39043	DOOR, RIGHT, SLIDING
6	NU-26866	NUT, HEX INSERT M4
7	SC-22273	SCREW,M4x0.7X10MM PAN
8	5031460R	BEARING BRACKET KIT

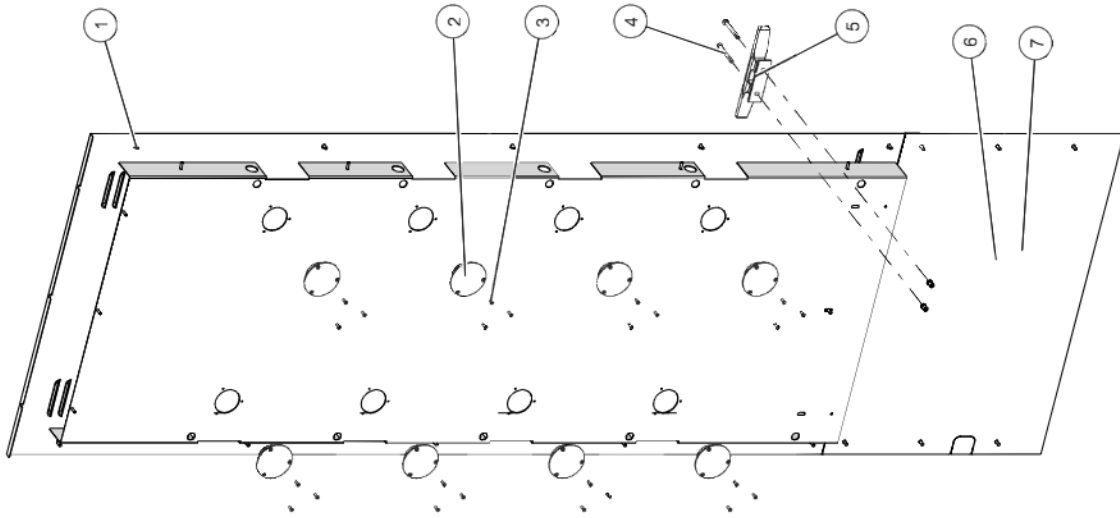
# Reach-In Package, HSM-24/CT



ID	Part No.	Description
1	NU-37268	NUT, HEX INSERT M5
2	E2097HR	HANGER 6-1/2" ROPE CLEAT 7/16 BLACK NYLON
3	SC-35259	SCREW,M5x0.8X50MM FLAT
4	SC-22273	SCREW,M4x0.7X10MM PAN
5	RI-27108	RIVET, SEALED
6	SC-23102	SCREW,M3x0.5X10MM FLAT
7	LP-37100	LAMP, LED, 12V

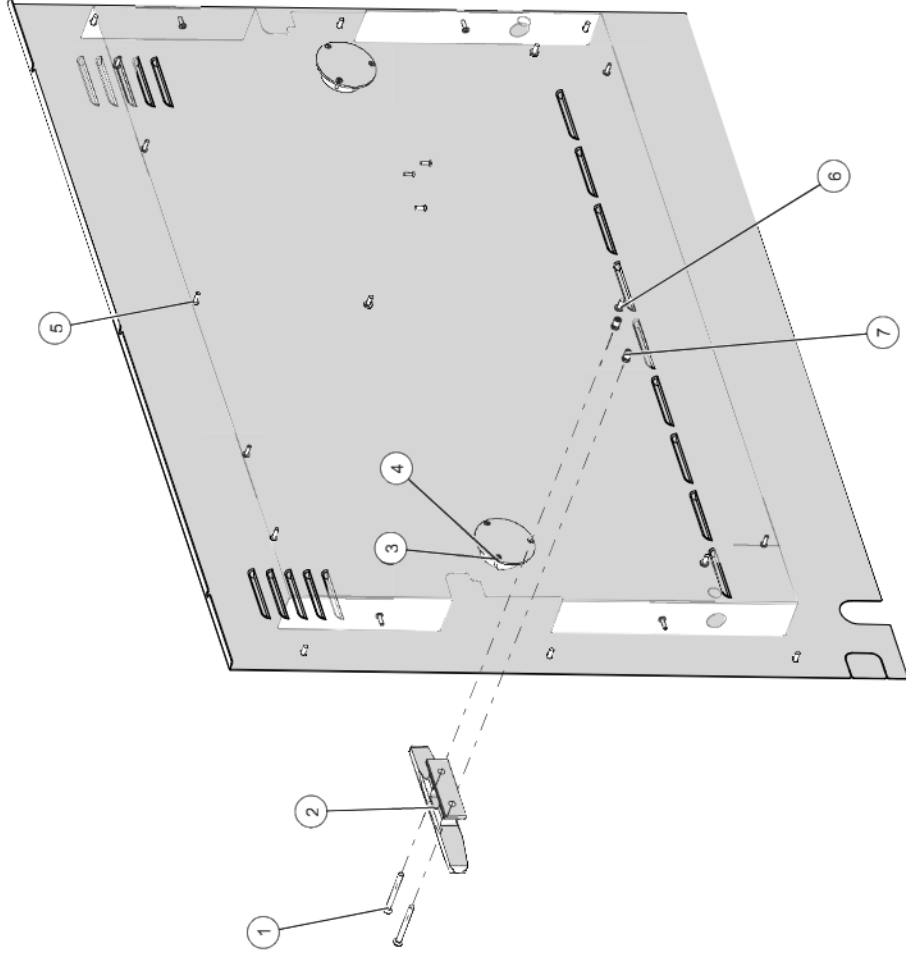


## Reach-In Package, HSM-24/5S/T



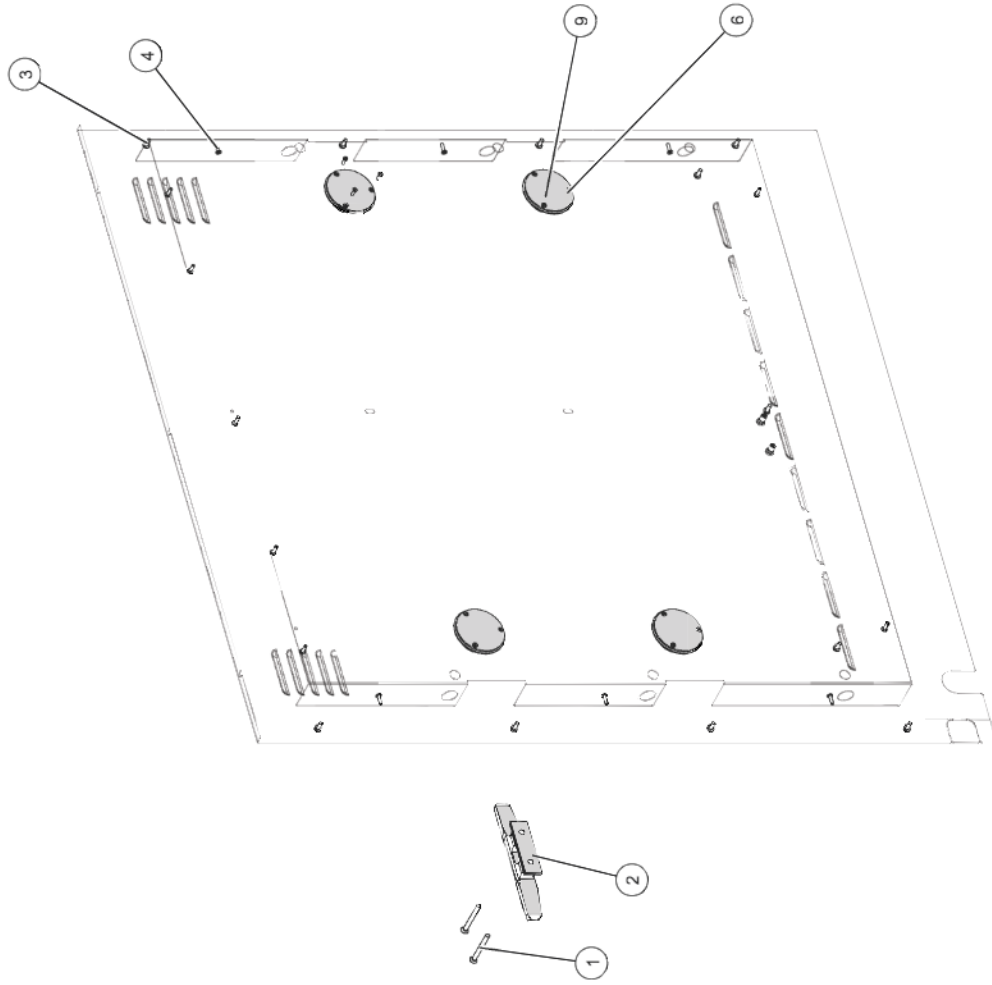
ID	Part No.	Description
1	SC-22273	SCREW,M4X0.7X10MM PAN
2	LP-37100	LAMP, LED, 12V
3	SC-23102	SCREW,M3X0.5X10MM FLAT
4	SC-35259	SCREW,M5X0.8X50MM FLAT
5	E2097HR	HANGER 6-1/2" ROPE CLEAT 7/16 BLACK NYLON
6	5022737R	LOWER BACK PANEL ASSEMBLY
7	5022835R	SERVICE KIT, LOWER PANEL

# Reach-In Package, HSM-36/2S/T



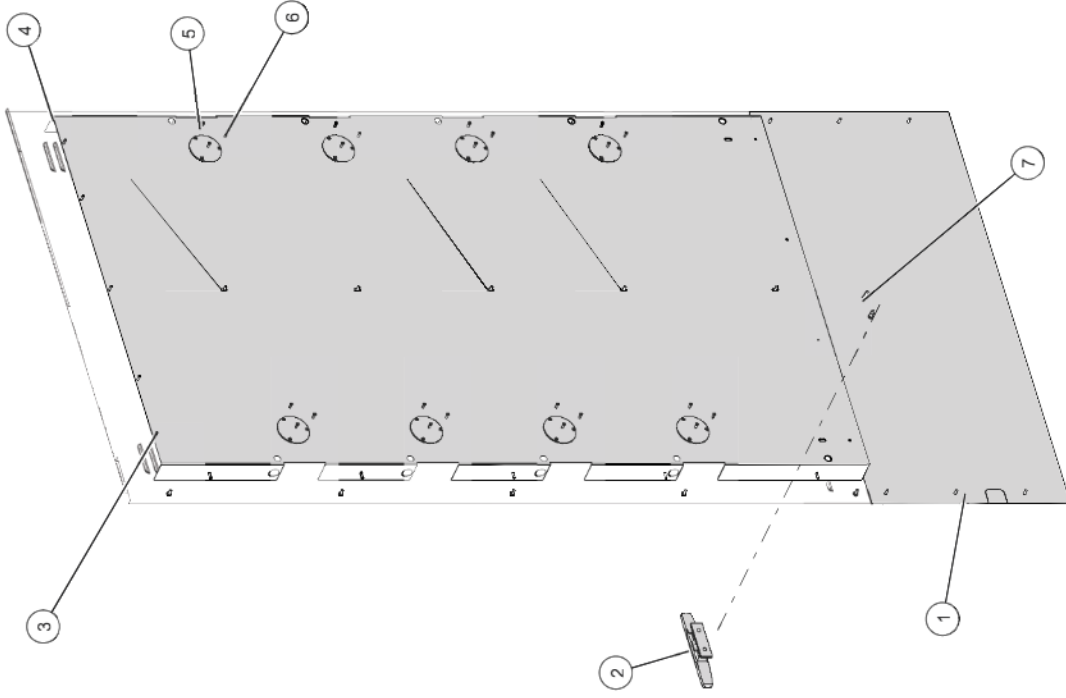
ID	Part No.	Description
1	SC-35259	SCREW,M5x0.8X50MM FLAT
2	E2097HR	HANGER 6-1/2" ROPE CLEAT 7/16 BLACK NYLON
3	SC-23102	SCREW,M3x0.5X10MM FLAT
4	LP-37100	LAMP, LED, 12V
5	RI-27108	RIVET, SEALED
6	SC-22273	SCREW,M4x0.7X10MM PAN
7	NU-37268	NUT, HEX INSERT M5

# Reach-In Package, HSM-36/3S/T



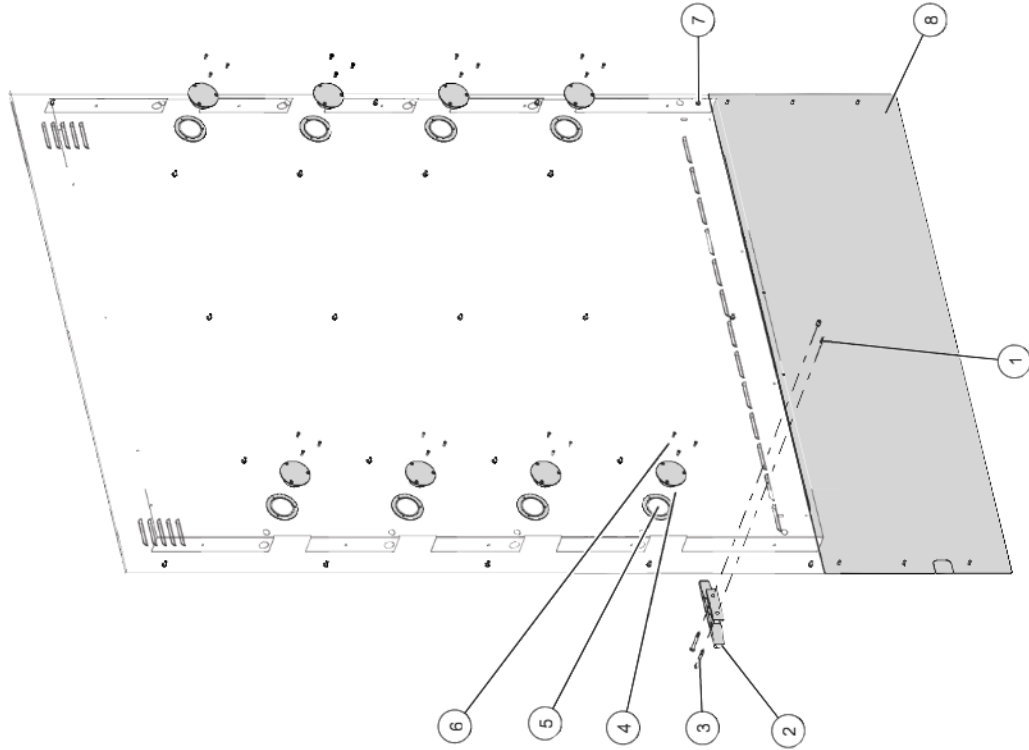
ID	Part No.	Description
1	SC-35259	SCREW, CTSK FLAT METRIC
2	E2097HR	HANGER 6-1/2" ROPE CLEAT 7/16 BLACK NYLON
3	SC-22273	SCREW,M4x0.7X10MM PAN
4	RI-27108	RIVET, SEALED
6	SC-23102	SCREW,M3x0.5X10MM FLAT
9	LP-37100	LAMP, LED, 12V

# Reach-In Package, HSM-36/5S/T



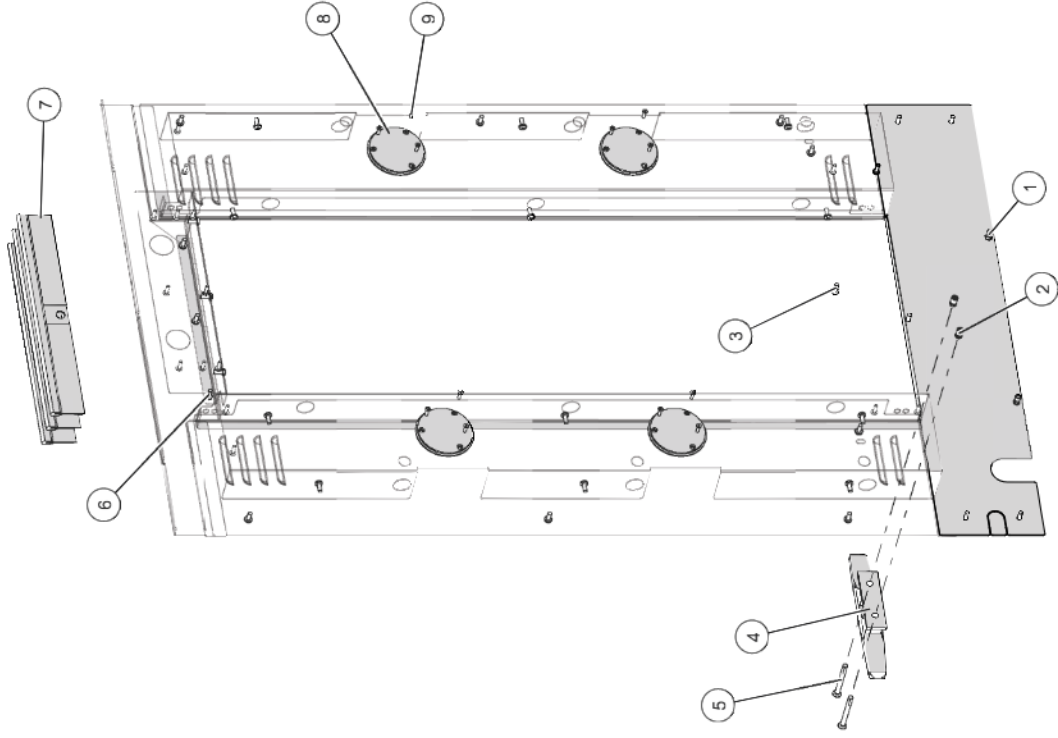
ID	Part No.	Description
1	5022739R	KIT, PANEL, BACK, LOWER
2	E2097HR	HANGER 6-1/2" ROPE CLEAT 7/16 BLACK NYLON
3	RI-27108	RIVET, SEALED
4	SC-22273	SCREW, M4x0.7X10MM PAN
5	LP-37100	LAMP, LED, 12V
6	SC-23102	SCREW, M3x0.5X10MM FLAT
7	SC-35259	SCREW, M5x0.8X50MM FLAT (x2)

# Reach-In Package, HSM-48/5S/T



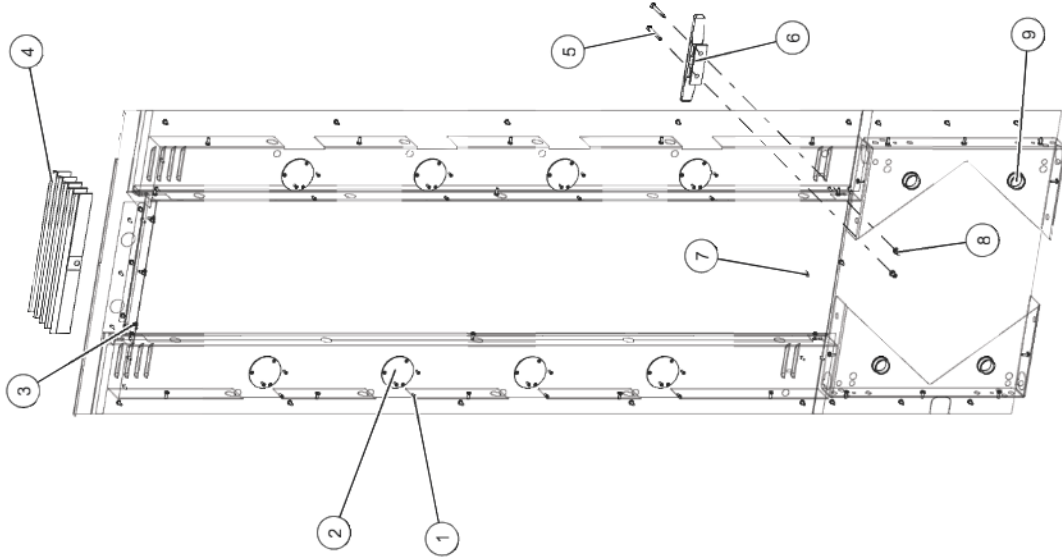
ID	Part No.	Description
1	NU-37268	NUT, HEX INSERT M5
2	E2097HR	HANGER 6-1/2" ROPE CLEAT 7/16 BLACK NYLON
3	SC-35259	SCREW,M5x0.8X50MM FLAT
4	LP-37100	LAMP, LED, 12V
5	1020644	RING, SNAP RIVET, RD LED
6	SC-23102	SCREW,M3x0.5X10MM FLAT
7	SC-22273	SCREW,M4x0.7X10MM PAN
8	5022844R	SERVICE KIT, LOWER BACK PANEL

# Pass-Through Package, HSM-24/CT



ID	Part No.	Description
1	NU-26866	NUT, HEX INSERT M4
2	NU-37268	NUT, HEX INSERT M5
3	SC-23141	SCREW, M4x0.7X14MM FLAT
4	E2097HR	HANGER 6-1/2" ROPE CLEAT 7/16 BLACK NYLON
5	SC-35259	SCREW, M5x0.8X50MM FLAT
6	SC-22273	SCREW, M4x0.7X10MM PAN
7	5031402R	SHELF HEAT GUARD, ASSM
8	LP-37100	LAMP, LED, 12V
9	SC-23102	SCREW, M3x0.5X10MM FLAT

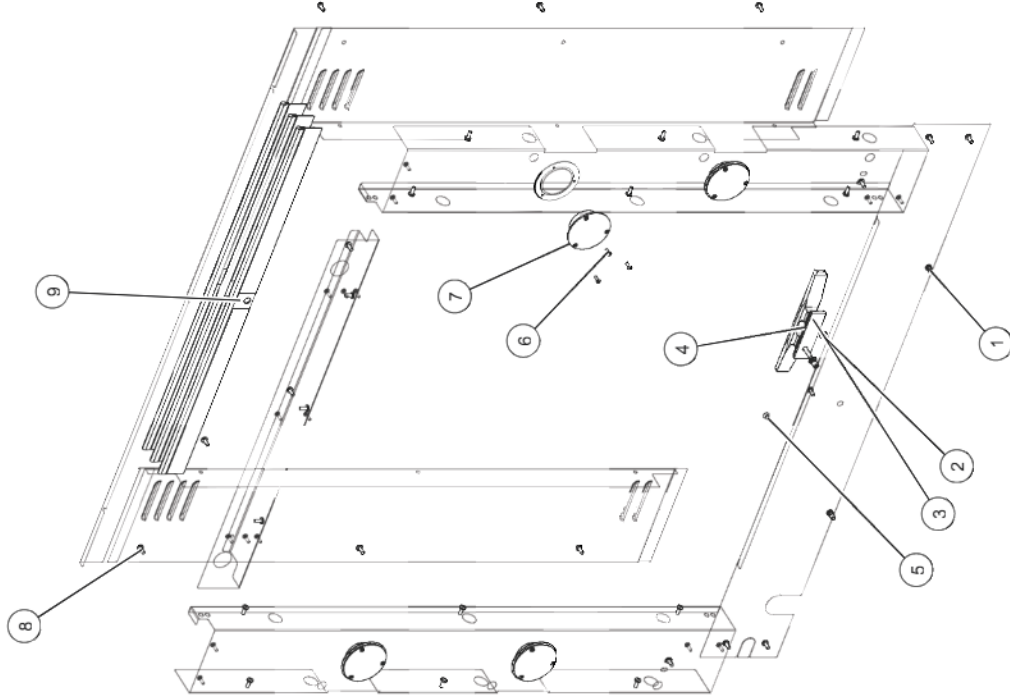
## Pass-Through Package, HSM-24/5S



ID	Part No.	Description
1	SC-23102	SCREW,M3x0.5X10MM FLAT
2	LP-37100	LAMP, LED, 12V
3	SC-22273	SCREW,M4x0.7X10MM PAN
4	5031402	SHELF HEAT GUARD, ASSM (x5)
5	SC-35259	SCREW,M5x0.8X50MM FLAT
6	E2097HR	HANGER 6-1/2" ROPE CLEAT 7/16 BLACK NYLON
7	SC-23141	SCREW,M4x0.7X14MM FLAT
8	NU-37268	NUT, HEX INSERT M5
9	BU-3378	1 1/8" SNAP BUSHING

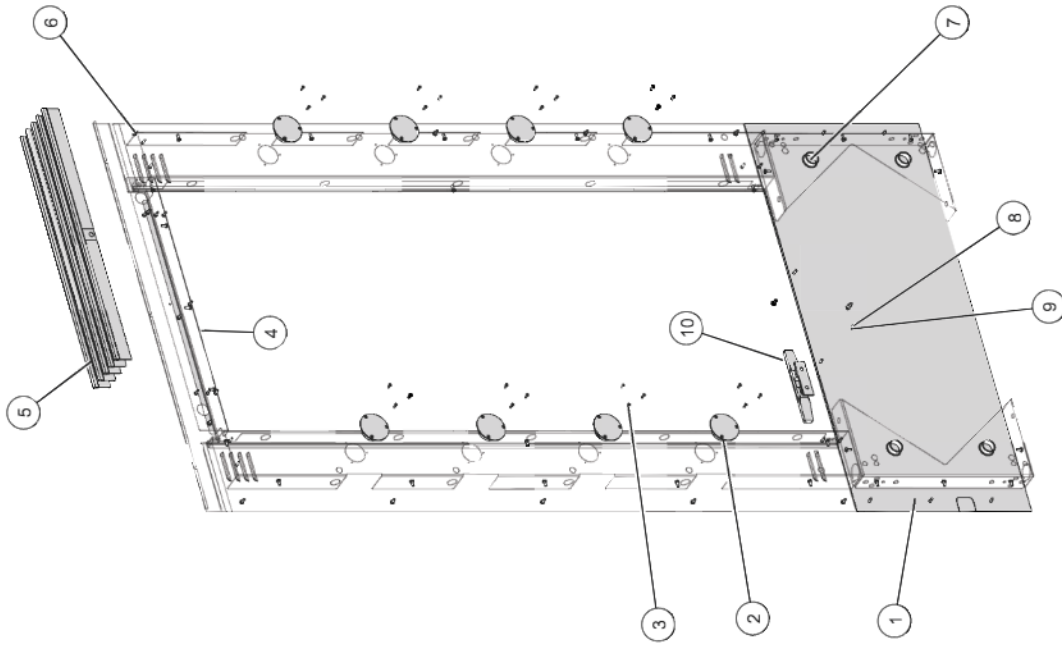


# Pass-Through Package, HSM-36/CT



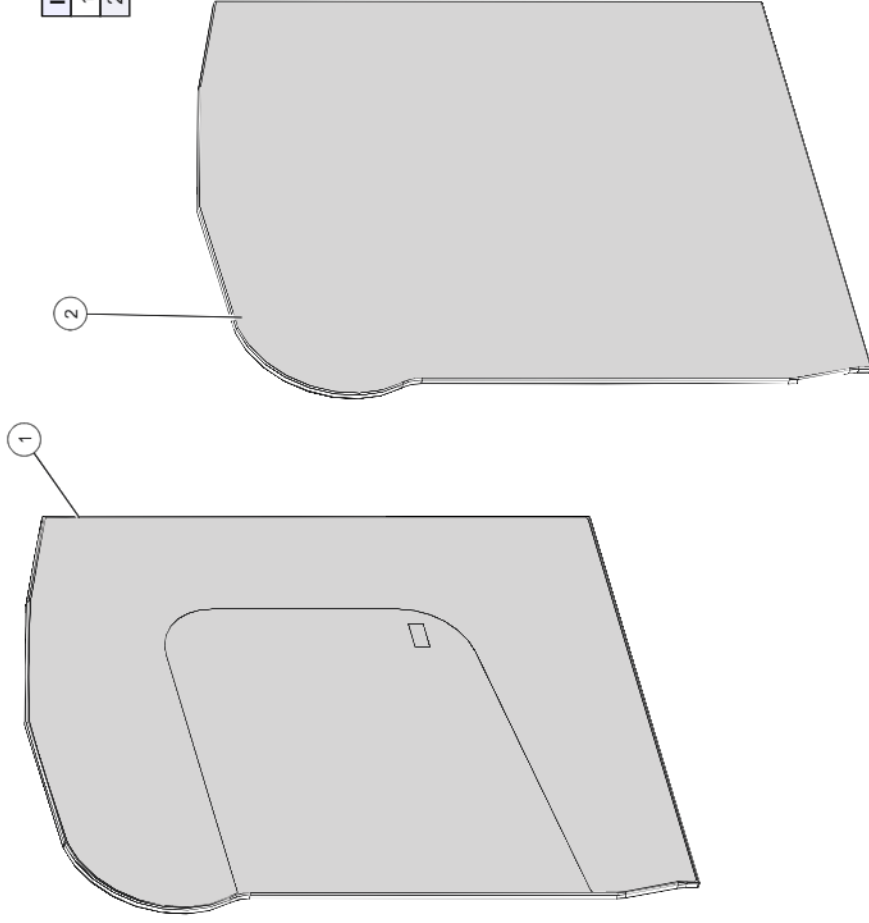
ID	Part No.	Description
1	NU-26866	NUT, HEX INSERT M4
2	NU-37268	NUT, HEX INSERT M5
3	SC-35259	SCREW, M5x0.8X50MM FLAT
4	E2097HR	HANGER 6-1/2" ROPE CLEAT 7/16 BLACK NYLON
5	SC-23141	SCREW, M4x0.7X14MM FLAT
6	SC-23102	SCREW, M3x0.5X10MM FLAT
7	LP-37100	LAMP, LED, 12V
8	SC-22273	SCREW, M4x0.7X10MM PAN
9	5031401R	SHELF HEAT GUARD, ASSM

# Pass-Through Package, HSM-36/5S



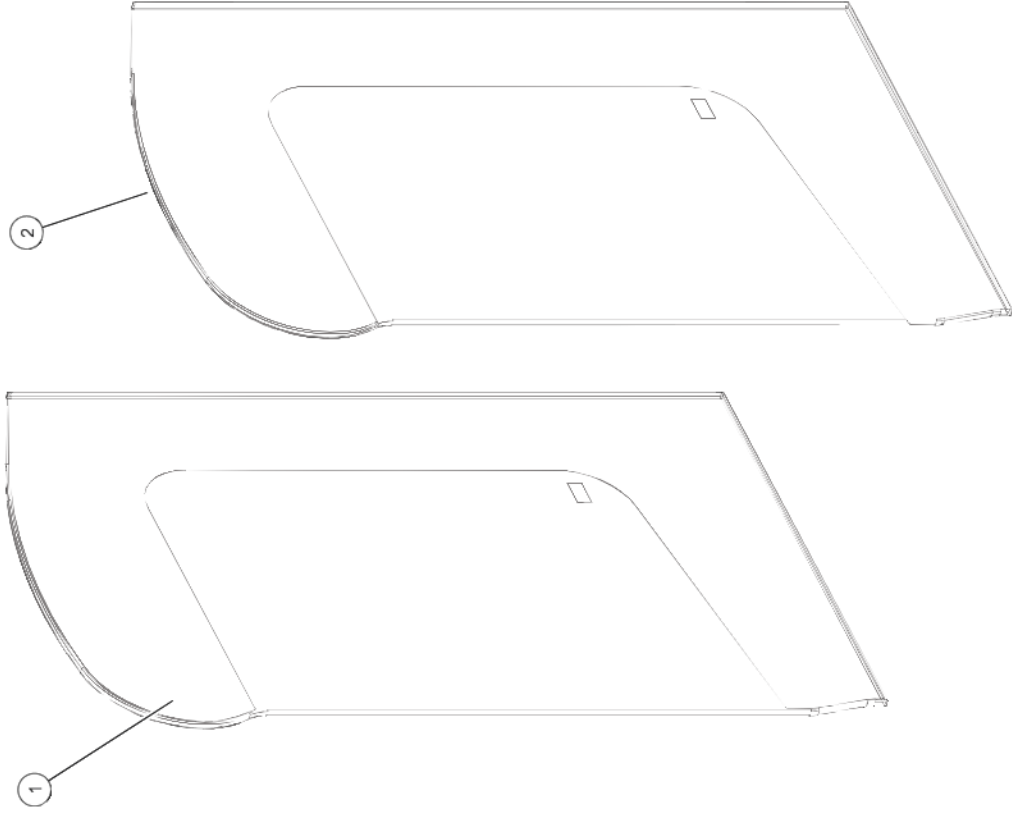
ID	Part No.	Description
1	1017002	PANEL, BACK, LOWER
2	LP-37100	LAMP, LED, 12V
3	SC-23102	SCREW, M3x0.5X10MM FLAT
4	1023404	PANEL, UPPER, INNER, HSM-36
5	5031401	SHELF HEAT GUARD, ASSM (x5)
6	SC-22273	SCREW, M4x0.7X10MM PAN
7	BU-3378	1 1/8" SNAP BUSHING
8	NU-37268	NUT, HEX INSERT M5
9	SC-35259	SCREW, M5x0.8X50MM FLAT
10	E2097HR	HANGER 6-1/2" ROPE CLEAT 7/16 BLACK NYLON

# Side Glass Assembly, HSM-36/2S/T



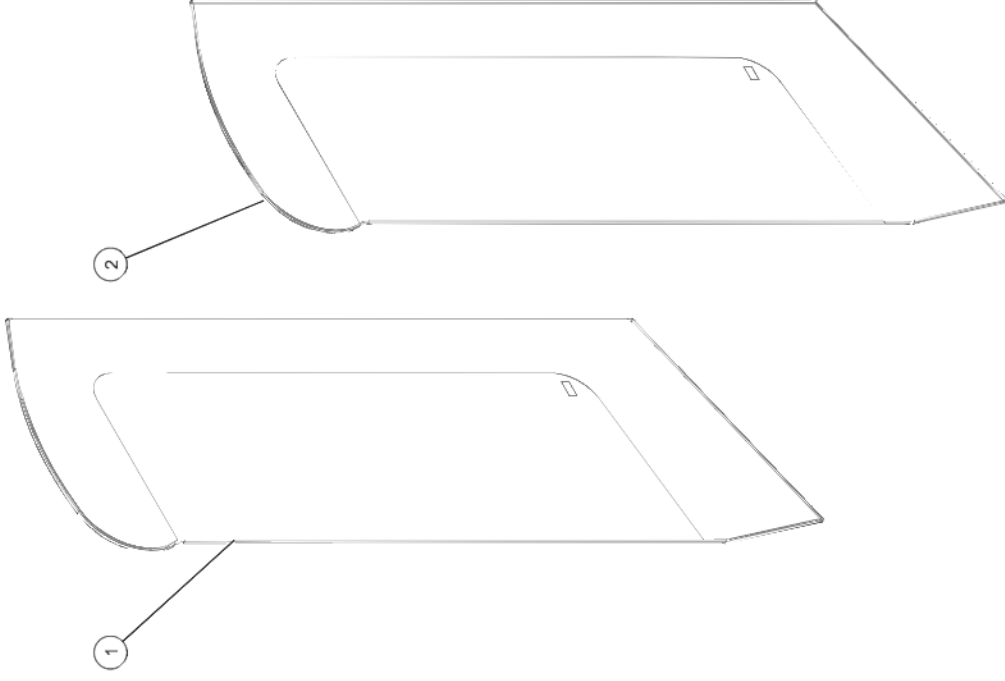
ID	Part No.	Description
1	GL-47712	GLASS,LEFT,TEMPERED,9.5mm
2	GL-47716	GLASS,RIGHT,TEMPERED,9.5mm

## Side Glass Assembly, HSM-24/3S/T or HSM-36/3S/T



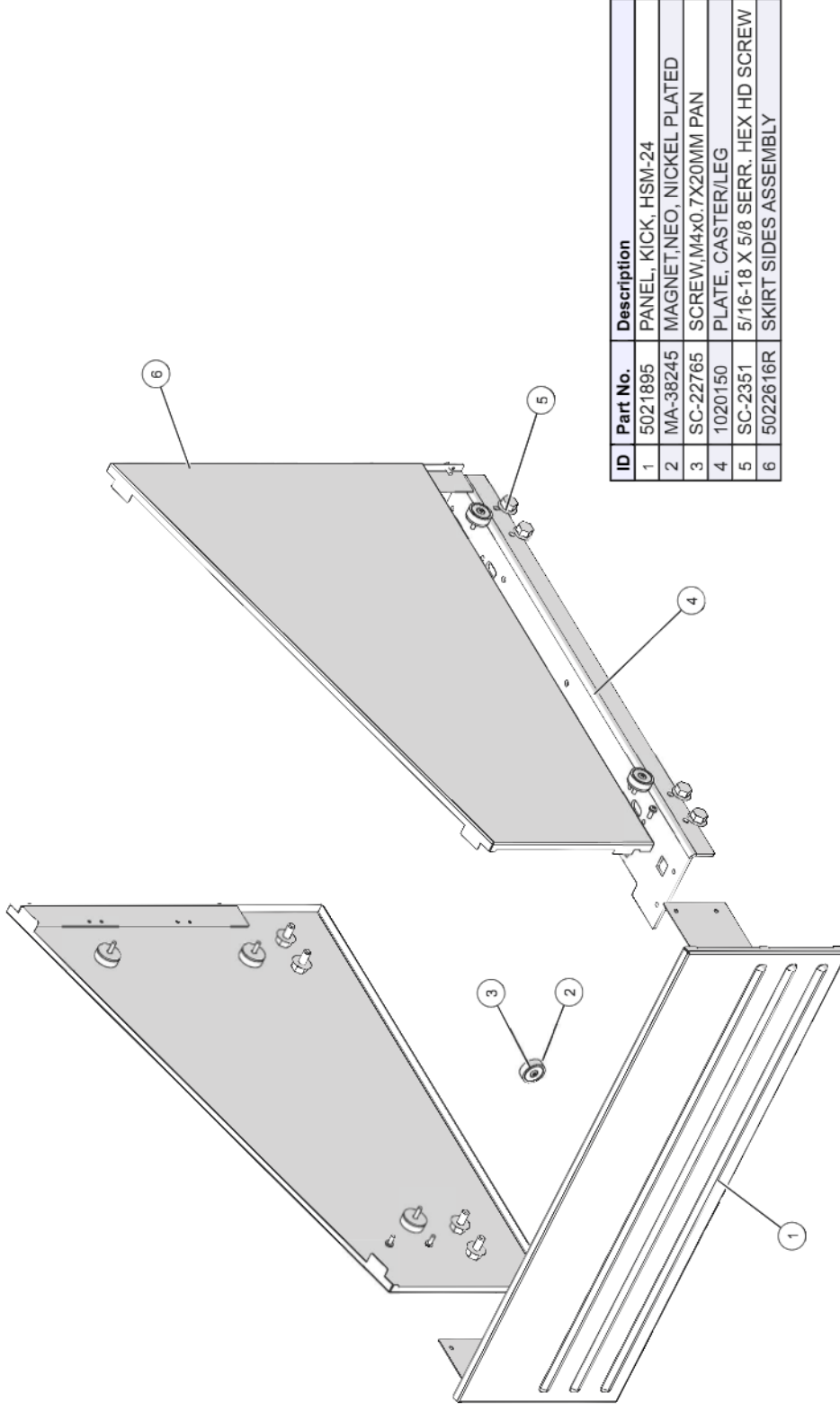
ID	Part No.	Description
1	GL-38604	GLASS, LF, TEMPERED, 9.5MM
2	GL-38603	GLASS, RT, TEMPERED, 9.5MM

## Side Glass Assembly (All 5S models)

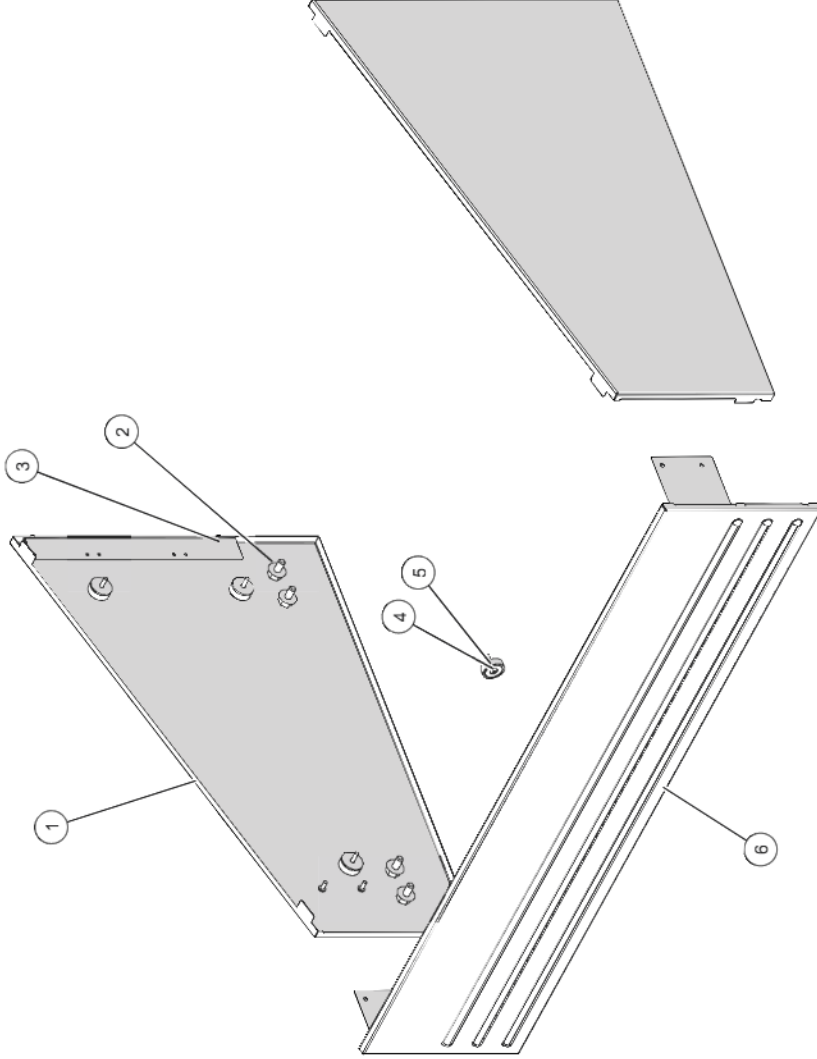


ID	Part No.	Description
1	GL-38414	GLASS, LH, TEMPERED, 9.5MM
2	GL-38413	GLASS, RH, TEMPERED, 9.5MM

## Skirt Assembly, Floor Model, HSM-24/3S/T



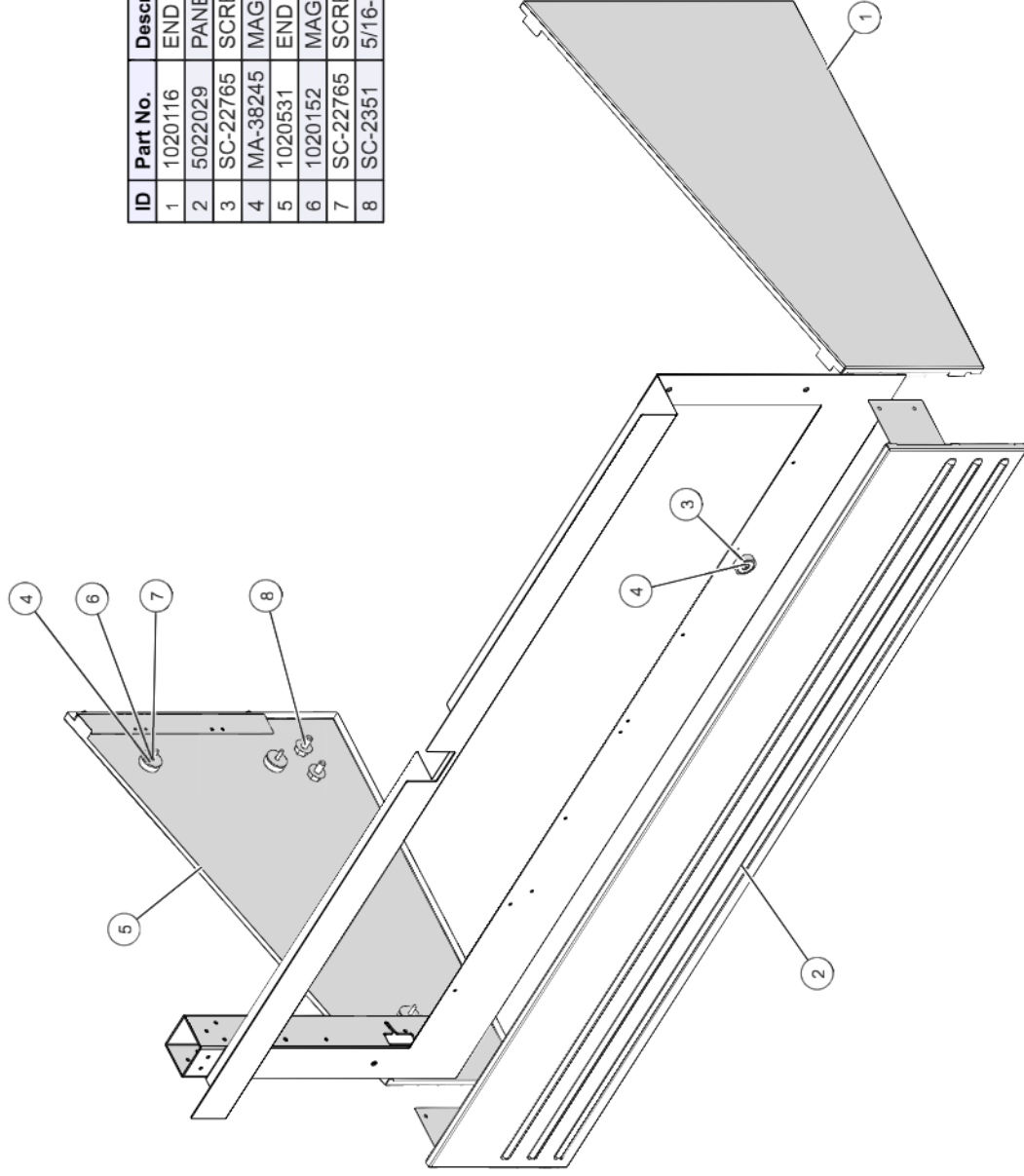
# Skirt Assembly, Floor Model, HSM-36/5S/T



ID	Part No.	Description
1	5022616R	SKIRT SIDES ASSEMBLY
2	SC-2351	5/16-18 X 5/8 SERR. HEX HD SCREW
3	SC-22273	SCREW,M4x0.7X10MM PAN
4	MA-38245	MAGNET,NEO, NICKEL PLATED
5	SC-22765	SCREW,M4x0.7X20MM PAN
6	5022308	PANEL, KICK, HSM-36

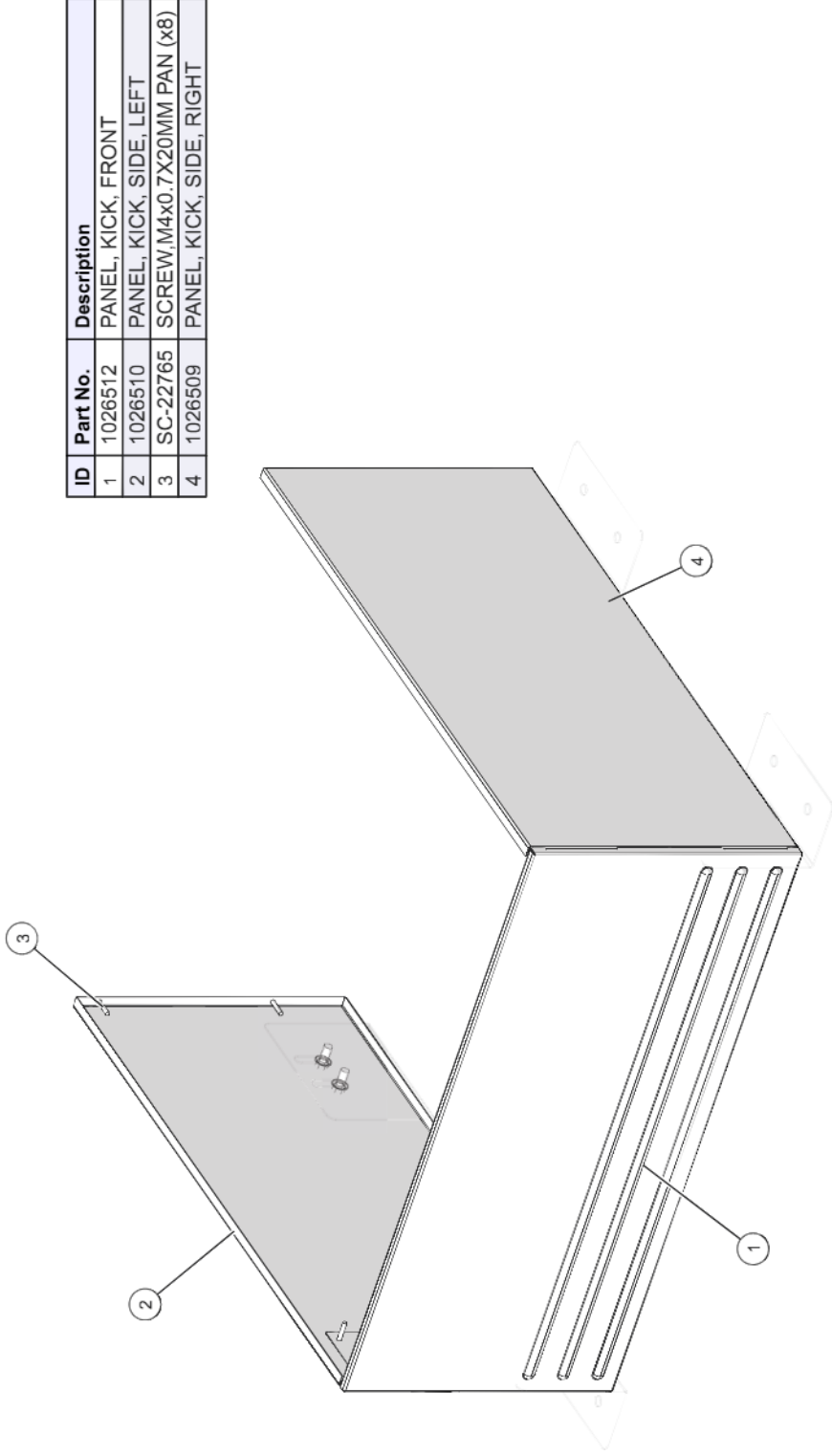


## Skirt Assembly, Floor Model, HSM-48/5S/T



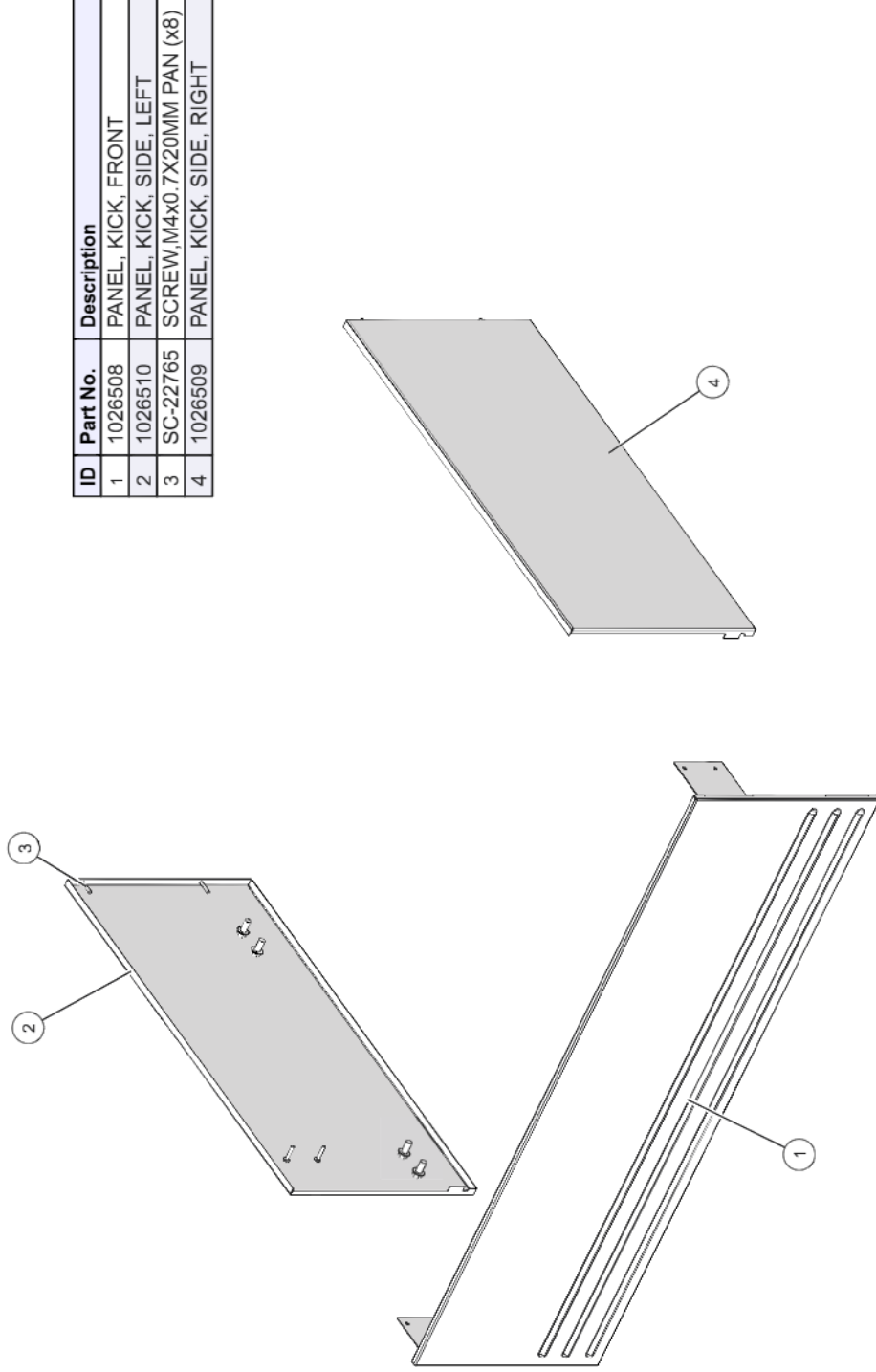
ID	Part No.	Description
1	1020116	END CAP PANEL, RT, LOWER
2	5022029	PANEL, KICK, HSM-48
3	SC-22765	SCREW,M4x0.7X20MM PAN
4	MA-38245	MAGNET,NEO, NICKEL PLATED
5	1020531	END CAP PANEL, LF, LOWER
6	1020152	MAGNET DISK, HSM
7	SC-22765	SCREW,M4x0.7X20MM PAN
8	SC-2351	5/16-18 X 5/8 SERR. HEX HD SCREW

## Skirt Assembly, HSM-24/3S (for Display Base)

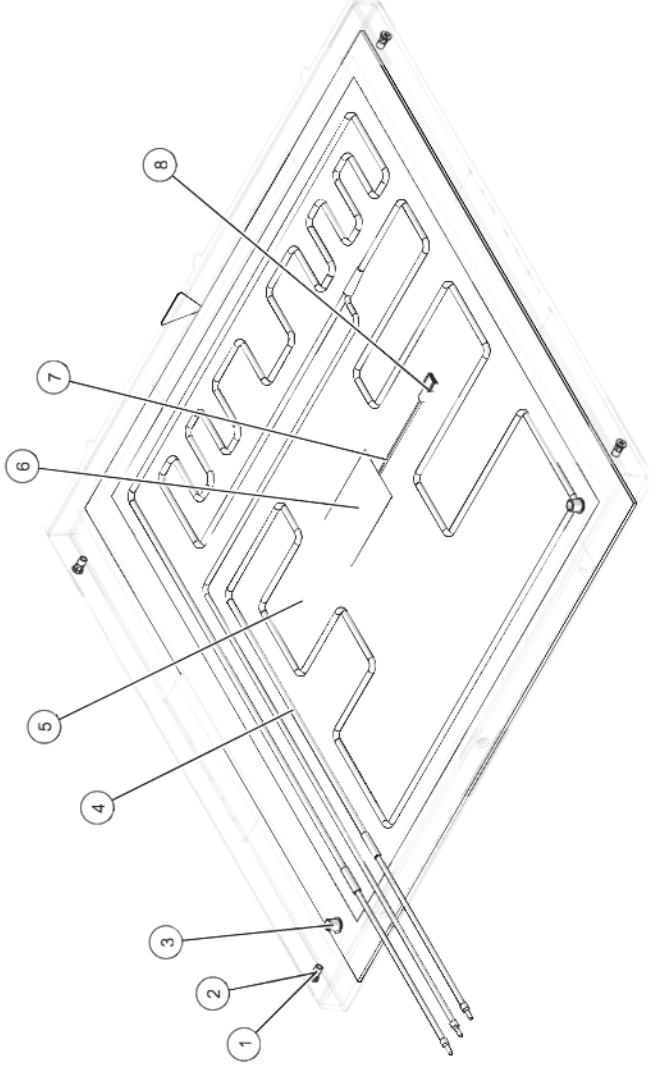


ID	Part No.	Description
1	1026512	PANEL, KICK, FRONT
2	1026510	PANEL, KICK, SIDE, LEFT
3	SC-22765	SCREW,M4x0.7X20MM PAN (x8)
4	1026509	PANEL, KICK, SIDE, RIGHT

## Skirt Assembly, HSM-36/3S (for Display Base)



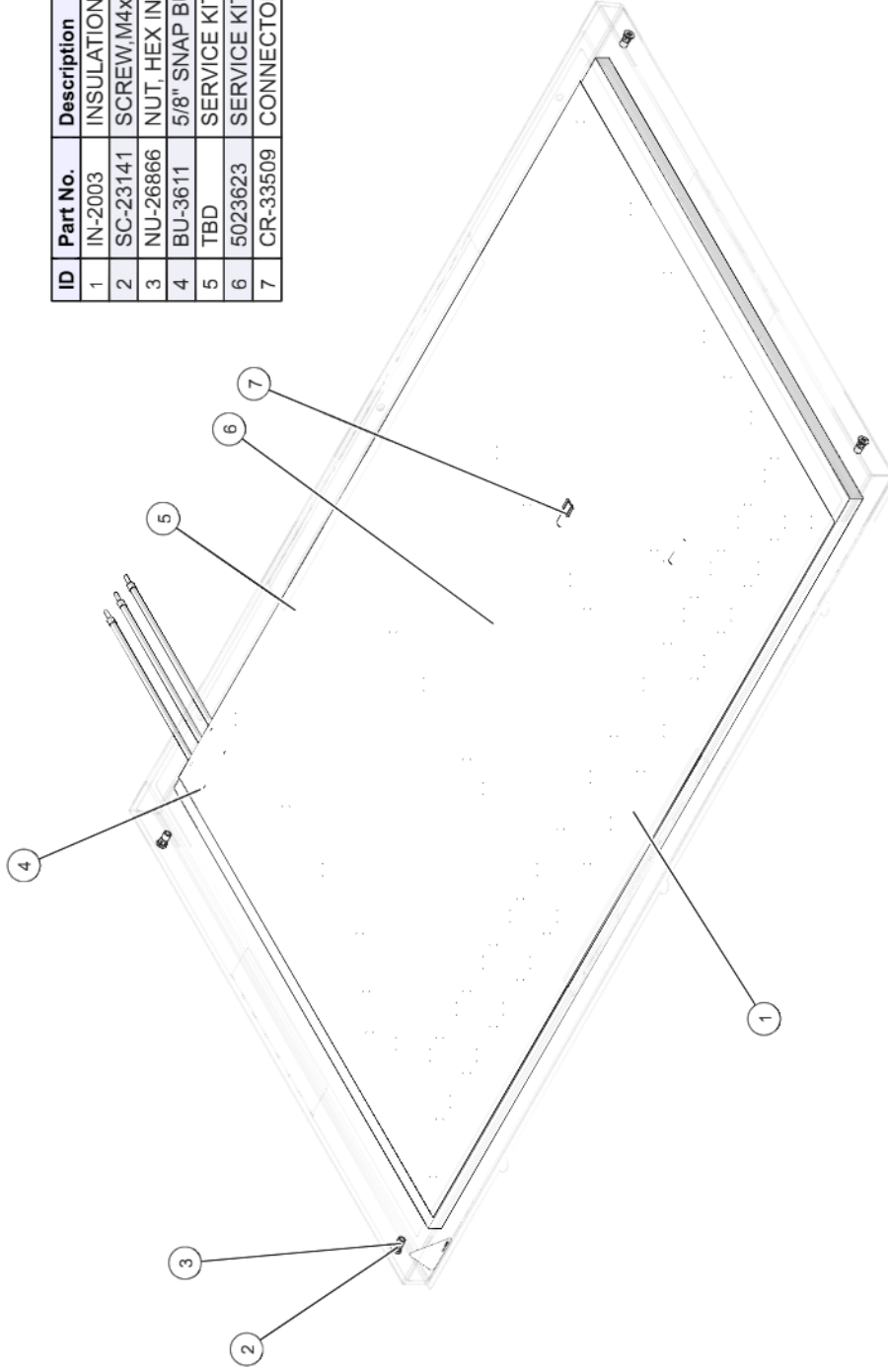
# Base Shelf Assembly, HSM-24



ID	Part No.	Description
1	NU-26866	NUT, HEX INSERT M4
2	SC-23141	SCREW,M4x0.7X14MM FLAT
3	BU-3419	3/8" BLACK HOLE BUSHING
4	5032626	KIT, FOIL PAD, 195W, 120V & 240V
5	IN-2003	INSULATION,19" X 19.5" X 0.5"
6	TA-35836	TAPE, ALUMINUM FOIL, 3" WIDE X 2" LG
7	5023623	SERVICE KIT, SHELF SENSOR
8	CR-33509	CONNECTOR, QUICK DISCONNECT

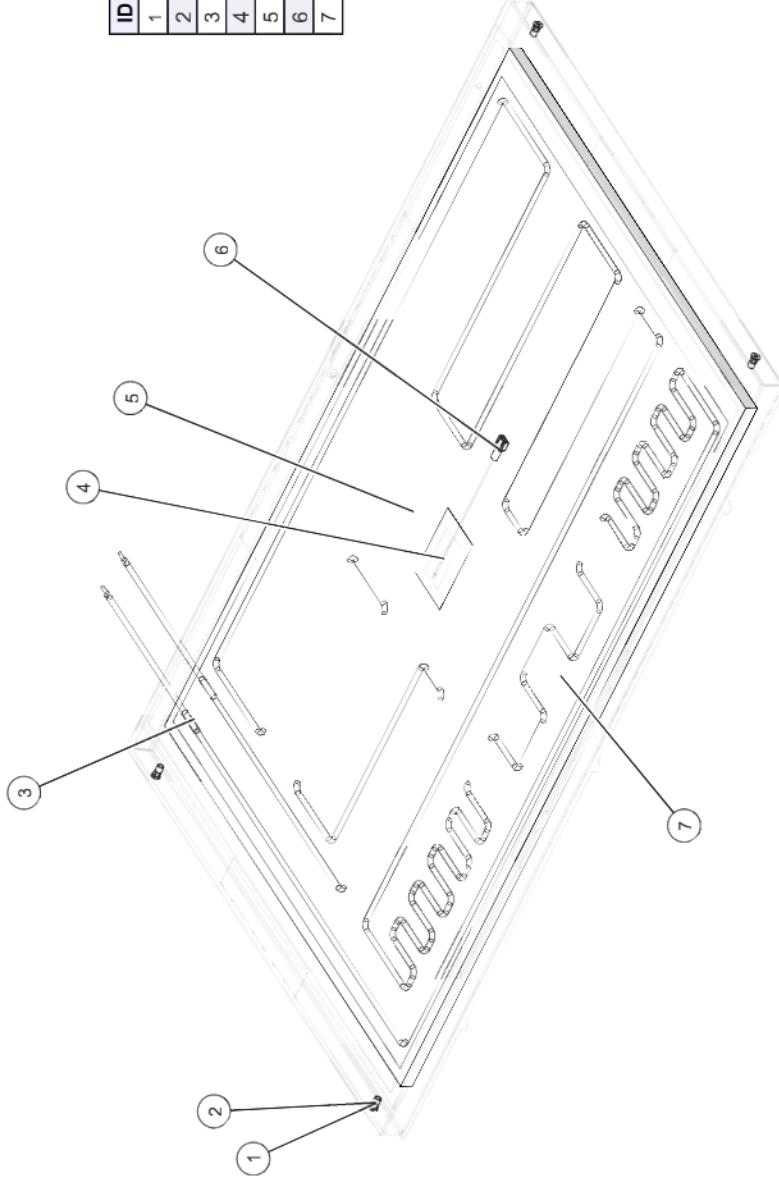
## BASE SHELF ASSEMBLY, HSM-36 (120V)

### Base Shelf Assembly, HSM-36 (120V)



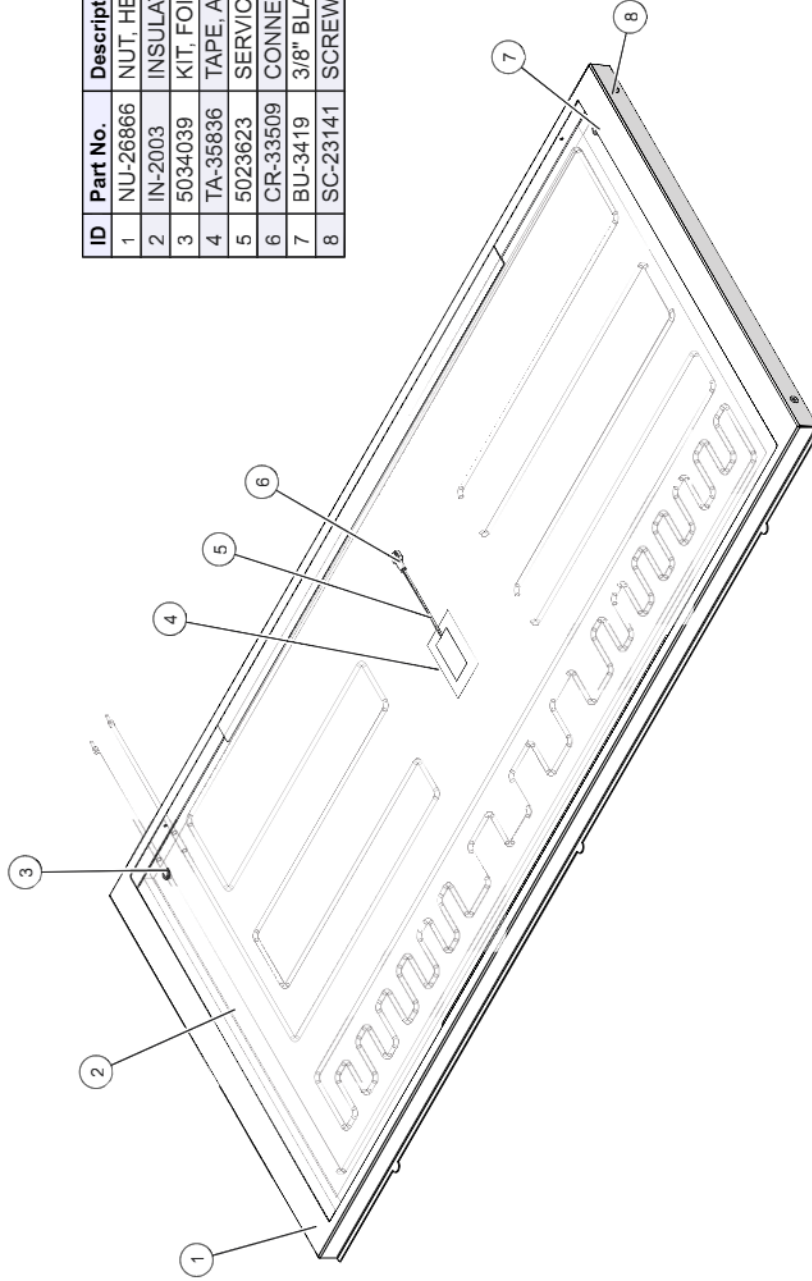
ID	Part No.	Description
1	IN-2003	INSULATION, 19" X 31.5" X 0.5"
2	SC-23141	SCREW, M4x0.7X14MM FLAT
3	NU-26866	NUT, HEX INSERT M4
4	BU-3611	5/8" SNAP BUSHING BLACK
5	TBD	SERVICE KIT, FOIL PAD
6	5023623	SERVICE KIT, SHELF SENSOR
7	CR-33509	CONNECTOR, QUICK DISCONNECT

## Base Shelf Assembly, HSM-36 (208-240V)



ID	Part No.	Description
1	SC-23141	SCREW, M4x0.7X14MM FLAT
2	NU-26866	NUT, HEX INSERT M4
3	BU-3419	3/8" BLACK HOLE BUSHING
4	5023623	SERVICE KIT, SHELF SENSOR
5	5032604	SERVICE KIT, FOIL PAD, 265W 240V
6	CR-33509	CONNECTOR, QUICK DISCONNECT
7	IN-2003	INSULATION, 19" X 31.5" X 0.5"

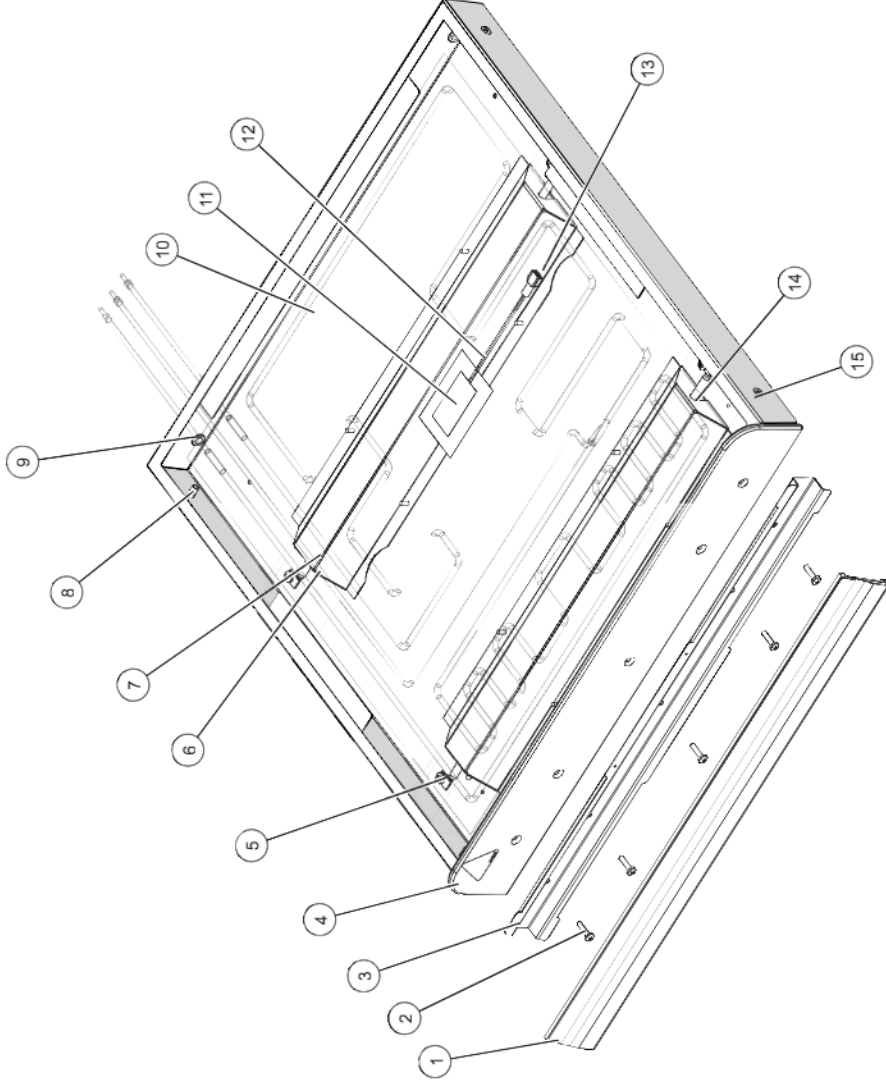
## Base Shelf Assembly, HSM-48



ID	Part No.	Description
1	NU-26866	NUT, HEX INSERT M4
2	IN-2003	INSULATION, 19" X 43.5" X 0.5"
3	5034039	KIT, FOIL PAD, 353W 240V
4	TA-35836	TAPE, ALUMINUM FOIL, 3" WIDE X 2" LG
5	5023623	SERVICE KIT, SHELF SENSOR
6	CR-33509	CONNECTOR, QUICK DISCONNECT
7	BU-3419	3/8" BLACK HOLE BUSHING
8	SC-23141	SCREW, M4x0.7X14MM FLAT



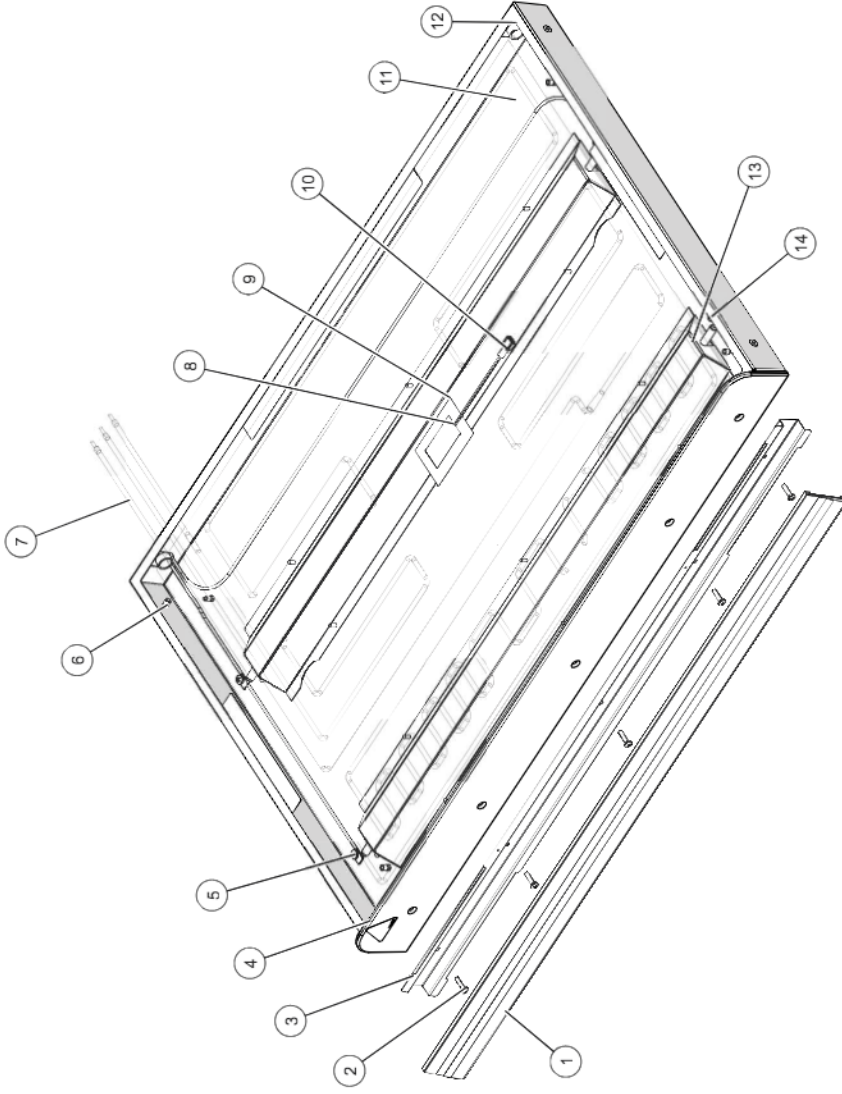
# Heated Shelf Assembly, HSM-24



ID	Part No.	Description
1	GD-38897	GUARD, SHELF, CLEAR
2	SC-38240	SCREW,M4x0.7X16MM PAN
3	1022864	BRACKET, GUARD STANDOFF
4	GD-36676	GUARD, LEXAN, SHELF, HSM-24
5	SC-2070	SCREW, 10-32 X 1/2" PAN
6	SC-22378	8-32 X 3/8" TRUSS HEAD SCREW
7	5032627	KIT, CALROD, 250W 240V
8	NU-26866	NUT, HEX INSERT M4
9	BU-3419	3/8" BLACK HOLE BUSHING
10	5032626	KIT, FOIL PAD, 120V & 240V
11	TA-35836	TAPE, ALUMINUM FOIL, 3" WIDE X 2" LG
12	5023623	SVC KIT, SENSOR, 1000 OHM, RTD
13	CR-33509	CONNECTOR, QUICK DISCONNECT
14	1035855	REFLECTOR, SM, BONNET, TOP HEAT
15	SC-23141	SCREW,M4x0.7X14MM FLAT

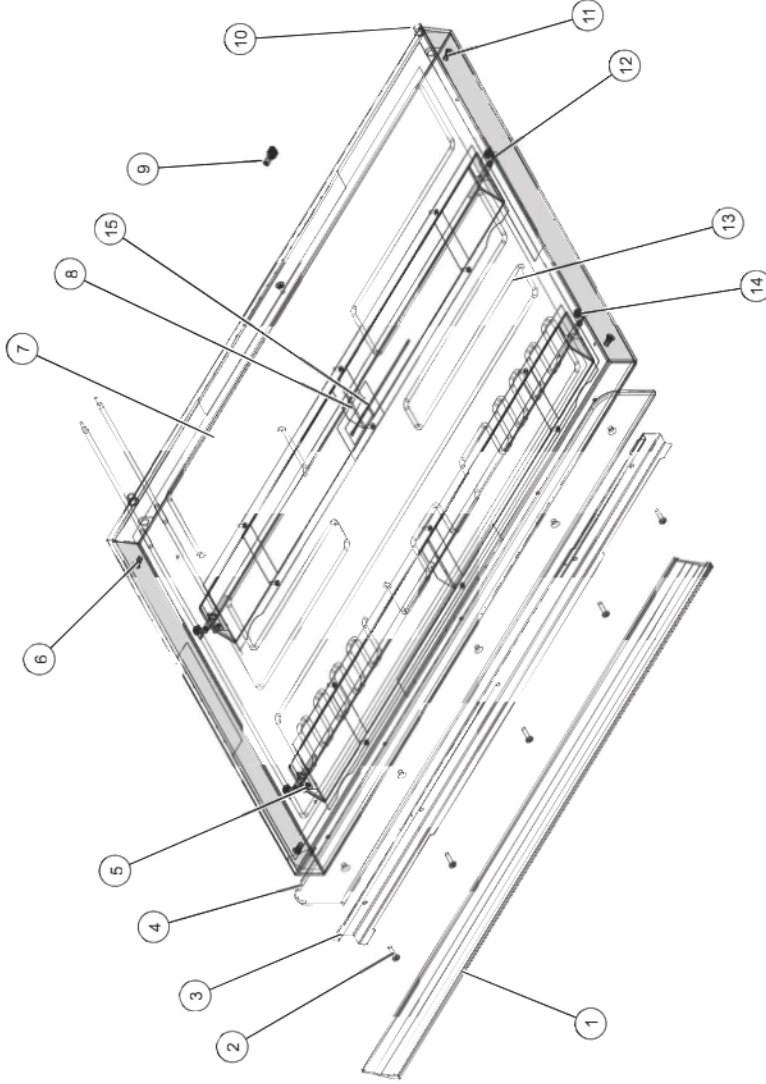
# HEATED SHELF ASSEMBLY, HSM-36 (120V)

## Heated Shelf Assembly, HSM-36 (120V)



ID	Part No.	Description
1	GD-38571	GUARD KIT, SHELF, CLEAR
2	SC-38240	SCREW,M4X0.7X16MM PAN
3	1022493	BRACKET, GUARD STANDOFF
4	SC-23141	SCREW,M4X0.7X14MM FLAT
5	SC-26791	SCREW, 10-32 X 1/4" PAN
6	NU-268866	NUT, HEX INSERT M4
7	EL-47763	KIT, FOIL PAD, 265W
8	5032623	SENSOR KIT, 1000 OHM, 200C RTD
9	TA-35836	TAPE, ALUMINUM FOIL, 3" WIDE X 2" LG
10	CR-33509	CONNECTOR, QUICK DISCONNECT
11	1035500	INSULATION, SHELF, TOP HEAT
12	BU-3611	5/8" SNAP BUSHING BLACK
13	1034658	REFLECTOR, SM, BONNET, TOP HEAT
14	EL-47748	ELEMENT, CALROD, 245W 120V
15	5032639	WIRE ASSEMBLY, 120V/208-240V (not shown)

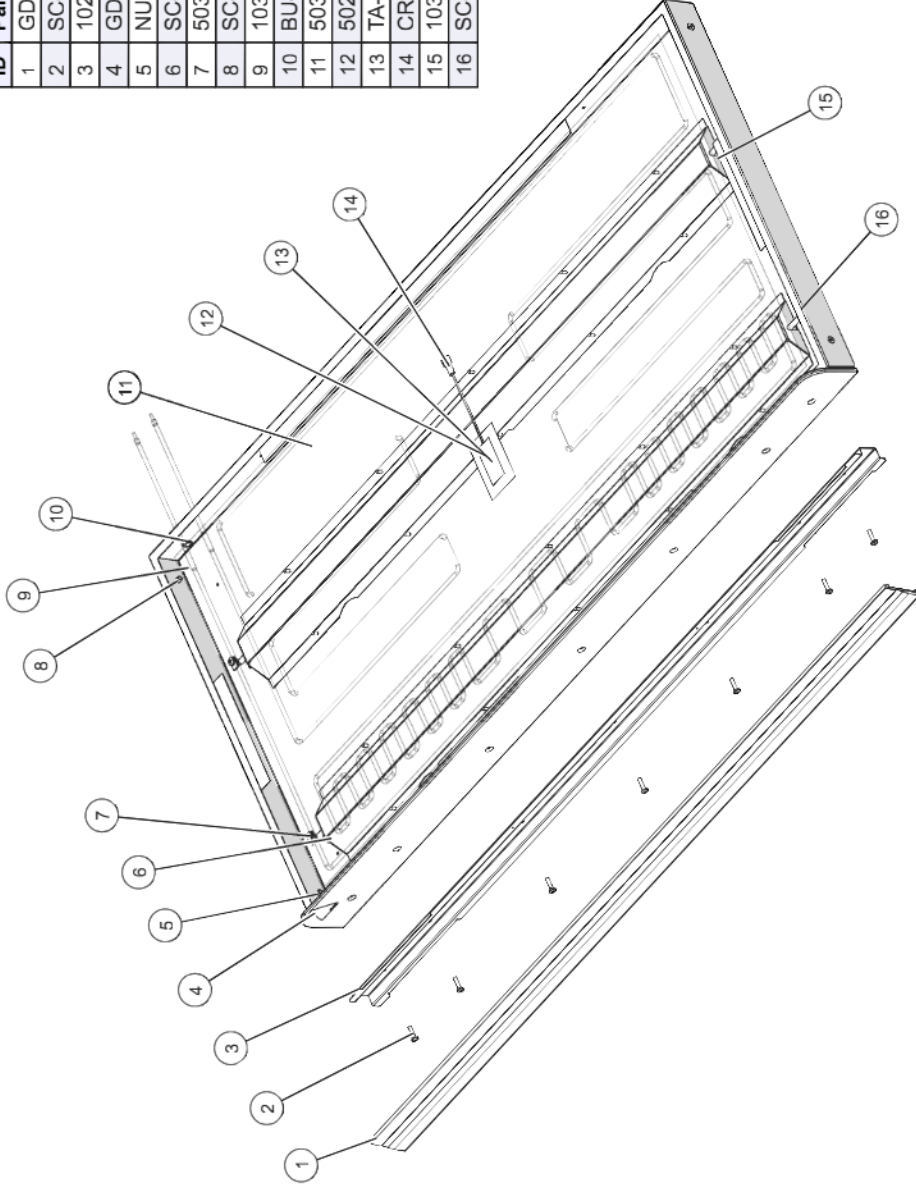
# Heated Shelf Assembly, HSM-36 (208-240V)



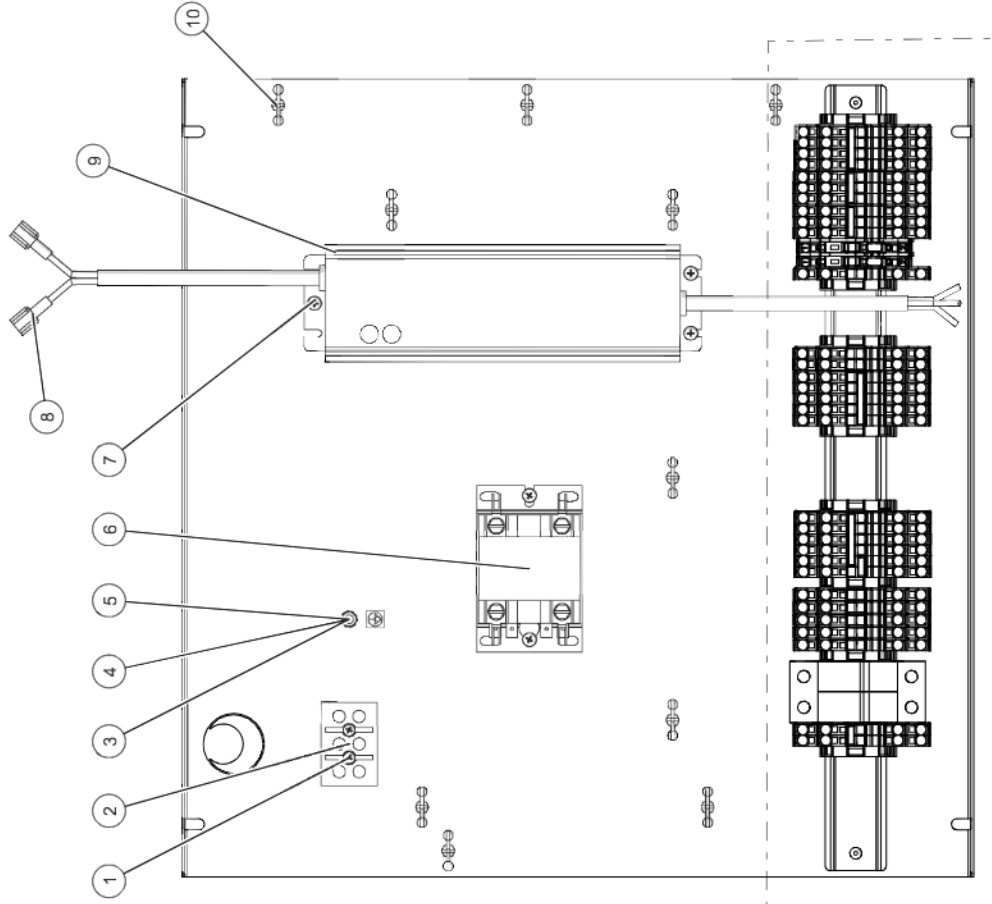
ID	Part No.	Description
1	GD-38571	GUARD KIT, SHELF, CLEAR
2	SC-38240	SCREW, M4X0.7X16MM PAN
3	1022493	BRACKET, GUARD STANDOFF
4	GD-36677	GUARD, LEXAN, SHELF, HSM-36
5	SC-22378	8-32 X 3/8" TRUSS HEAD SCREW
6	SC-23141	SCREW, M4X0.7X14MM FLAT
7	EL-47198	KIT, FOIL PAD, 265W 240V
8	TA-35836	TAPE, ALUMINUM FOIL, 3" WIDE X 2" LG
9	CR-33509	CONNECTOR, QUICK DISCONNECT
10	BU-3419	3/8" BLACK HOLE BUSHING
11	NUJ-26866	NUT, HEX INSERT M4
12	EL-47199	KIT, CALROD, 250W 240V
13	1035500	INSULATION, SHELF, TOP HEAT
14	SC-2070	SCREW, 10-32 X 1/2" PAN
15	5032623	SENSOR KIT, 1000 OHM, 200C, RTD
16	5032639	WIRE ASSEMBLY, 208-240V, COMMON (not shown)

# Heated Shelf Assembly, HSM-48

ID	Part No.	Description
1	GD-38898	GUARD, SHELF, CLEAR
2	SC-38240	SCREW,M4X0.7X16MM PAN
3	1022865	BRACKET, GUARD STANDOFF
4	GD-37136	GUARD, LEXAN, SHELF, HSM-48
5	NU-26866	NUT, HEX INSERT M4
6	SC-22378	8-32 X 3/8" TRUSS HEAD SCREW
7	5034044	KIT, CALROD, 333W 240V
8	SC-23141	SCREW,M4X0.7X14MM FLAT
9	1036282	INSULATION, SHELF, TOP HEAT
10	BU-3419	3/8" BLACK HOLE BUSHING
11	5034039	KIT, FOIL PAD, 353W 240V
12	5023623	SERVICE KIT, SHELF SENSOR
13	TA-35836	TAPE, ALUMINUM FOIL, 3" WIDE X 2" LG
14	CR-33509	CONNECTOR, QUICK DISCONNECT
15	1036280	REFLECTOR, SM, BONNET, TOP HEAT
16	SC-2070	SCREW, 10-32 X 1/2" PAN



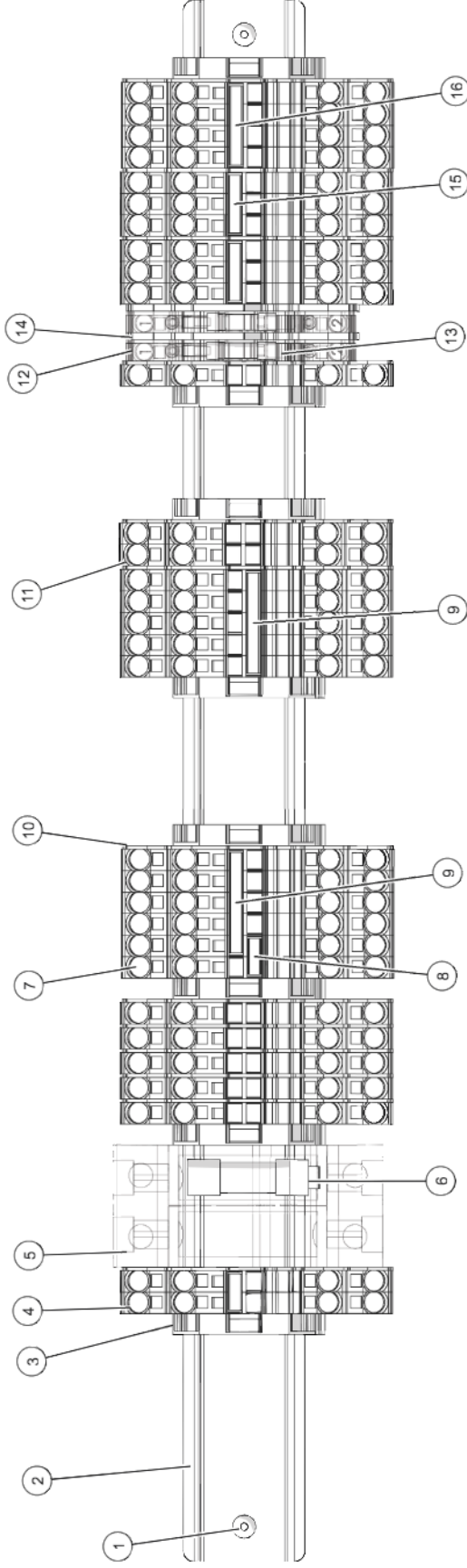
# Electronic Components Package, High Wattage, 208/240V 1PH



ID	Part No.	Description
1	SC-2365	SCREW, 6-32 X 1-1/4" PAN
2	BK-3019	T-BLOCK
3	WS-2467	WASHER, INT. LOCK
4	SC-38128	SCREW,PAN PH, METRIC, M5
5	NUJ-36234	NUT, M5, KEPS
6	CN-3052	CONTACTOR 208/240V 3 POLE 25 AMP
7	SC-22273	SCREW,M4x0.7X10MM PAN
8	CR-34637	CONNECTOR, INSULATED, QK DISC
9	5020740	POWER SUPPLY WITH CONNECTORS
10	TI-35719	TIE, TWIST LOCK 0.5" STANDOFF

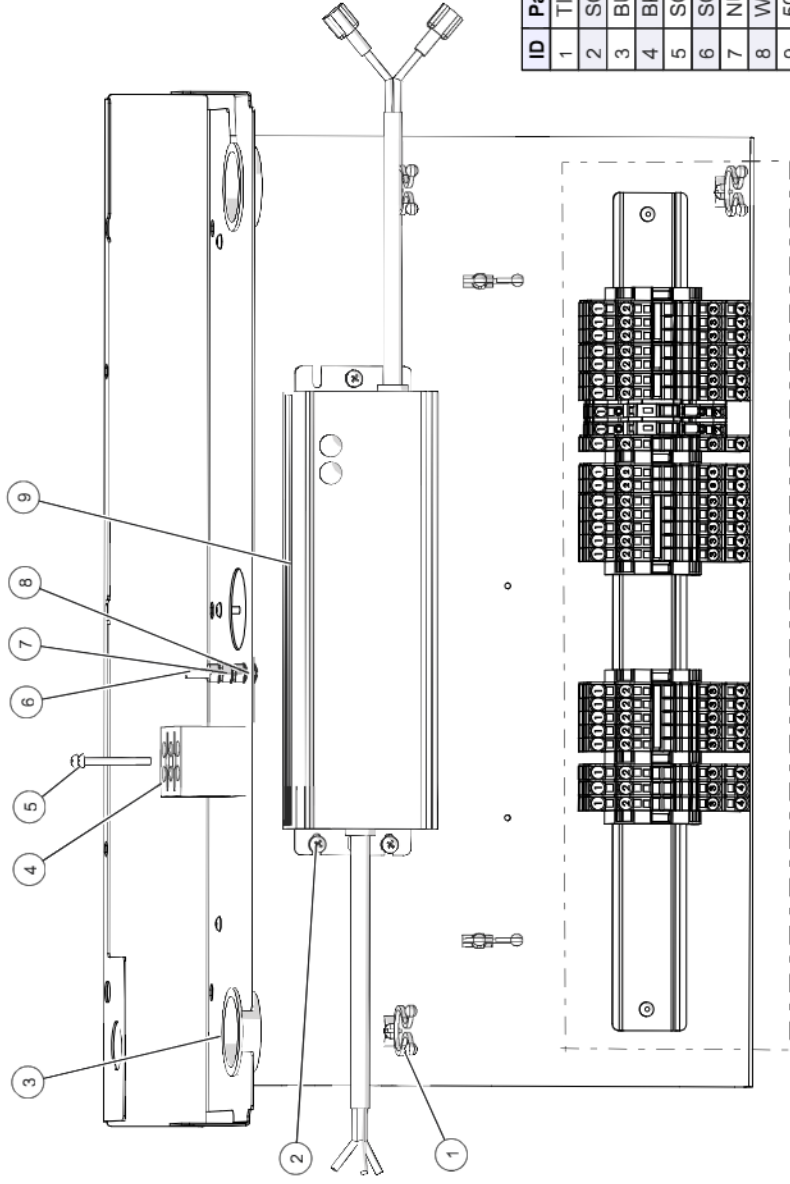


## DIN Rail and Terminals, High Wattage, 208/240V 1PH



ID	Part No.	Description	Qty
1	RI-38125	RIVET,SEALED,,125"	2
2	1013459	DIN RAIL,SOLID SURFACE, 450MM	1
3	TM-39606	TERMINAL, SCREWLESS END	8
4	TM-39574	TERMINAL, 6mm, ORANGE, SPRING	19
5	FU-34771	FUSE HOLDER, 2 BANK	1
6	FU-34938	FUSE, 3 AMP	1
7	TM-39575	TERMINAL, 6mm, BLUE, SPRING	10
8	TM-39585	JUMPER, 2 POLE	2
9	TM-39582	JUMPER, 5 POLE	2
10	TM-39576	TERMINAL, END SECTION, SPRING	13
11	TM-39579	TERMINAL,GROUND, 6mm, SPRING	2
12	TM-39577	TERMINAL, FUSE HOLDER,	2
13	FU-33452	NEOZED, 6.3 AMP	2
14	TM-39578	TERMINAL, END PLATE	2
15	TM-39584	JUMPER, 3 POLE	2
16	TM-39583	JUMPER, 4 POLE	1

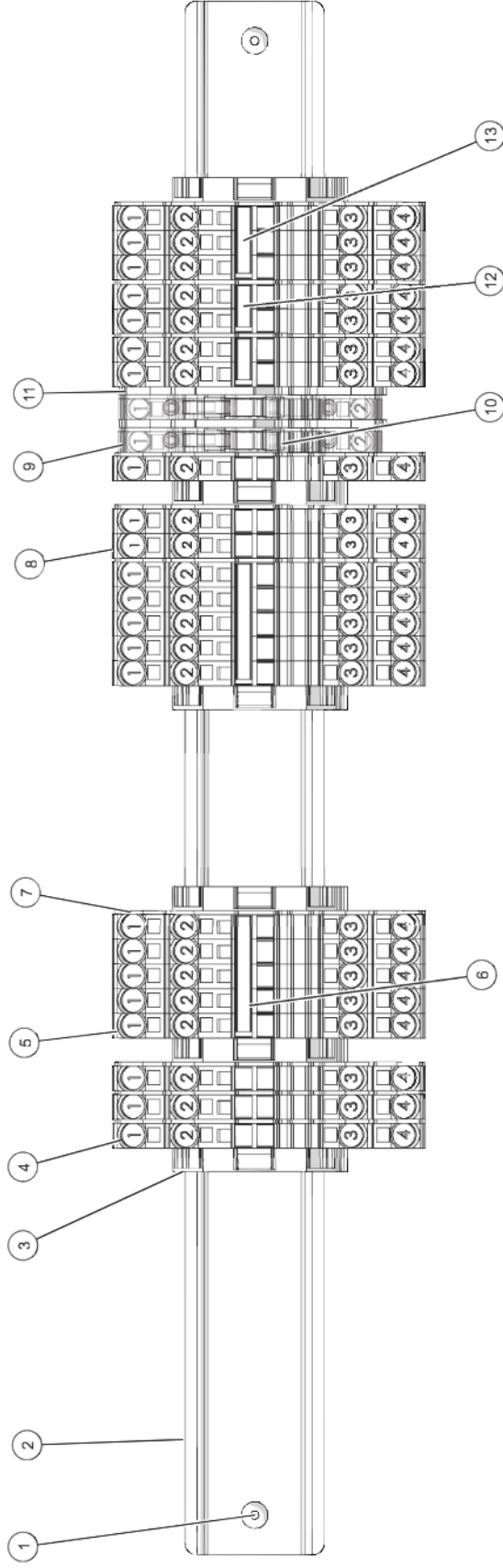
# Electronic Components Package, HSM-24/3S/T (120V)



ID	Part No.	Description
1	TI-35719	TIE, TWIST LOCK 0.5" STANDOFF
2	SC-22271	SCREW,M4x0.7X6MM PAN
3	BU-3013	BUSHING,SNAP,1 1/2"
4	BK-3019	T-BLOCK
5	SC-2365	SCREW, 6-32 X 1-1/4" PAN
6	SC-38128	SCREW,PAN PH, METRIC, M5
7	NUJ-36234	NUT, M5, KEPS
8	WS-2467	WASHER, INT. LOCK
9	5020740R	POWER SUPPLY WITH CONNECTORS

# DIN RAIL AND TERMINALS, HSM-24/3S/T (120V)

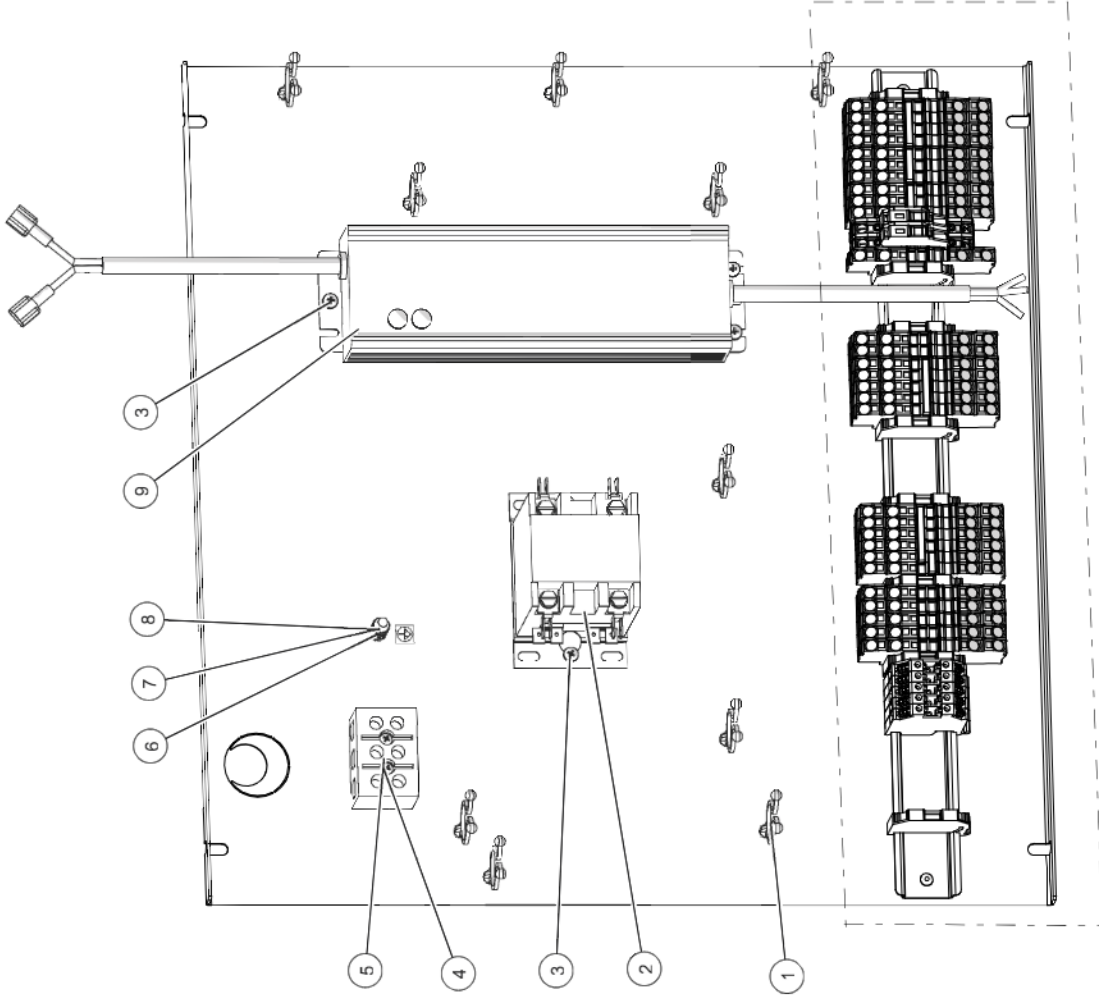
## DIN Rail and Terminals, HSM-24/3S/T (120V)



ID	Part No.	Description	Qty
1	RI-38125	RIVET, SEALED, .125"	2
2	1013636	DIN RAIL, SOLID SURFACE, 390MM	1
3	TM-39606	TERMINAL, SCREWLESS END	6
4	TM-39574	TERMINAL, 6mm, ORANGE, SPRING	13
5	TM-39575	TERMINAL, 6mm, BLUE, SPRING	8
6	TM-39582	JUMPER, 5 POLE	2
7	TM-39576	TERMINAL, END SECTION, SPRING	10
8	TM-39579	TERMINAL, GROUND, 6mm, SPRING	2
9	TM-39577	TERMINAL, FUSE HOLDER,	2
10	FU-33452	NEOZED, 6.3 AMP	2
11	TM-39578	TERMINAL, END PLATE	2
12	TM-39585	JUMPER, 2 POLE	2
13	TM-39584	JUMPER, 3 POLE	1

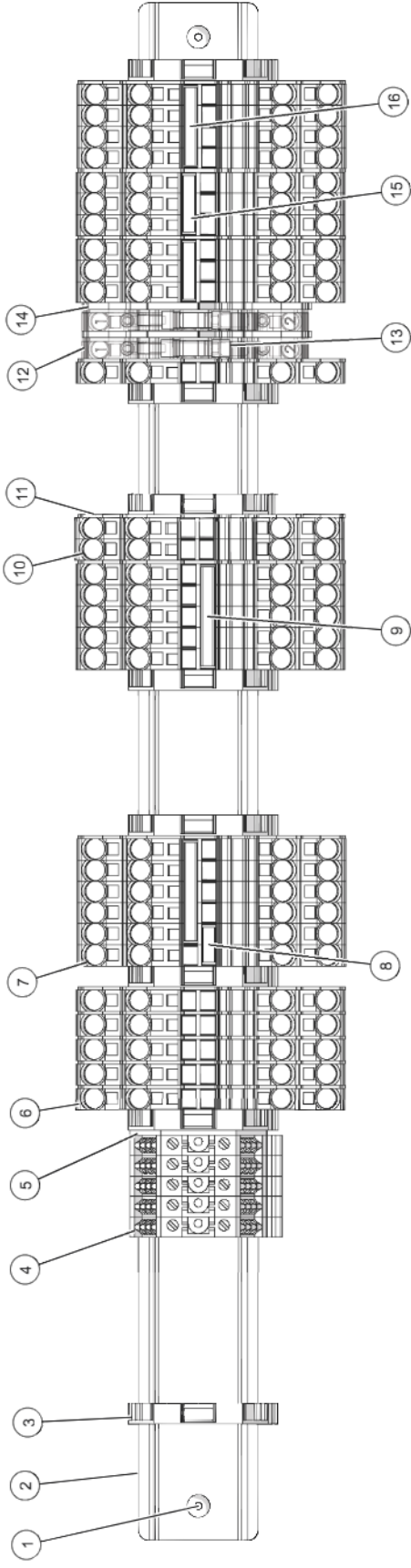


# Electronic Components Package, HSM-24 (208-240V)



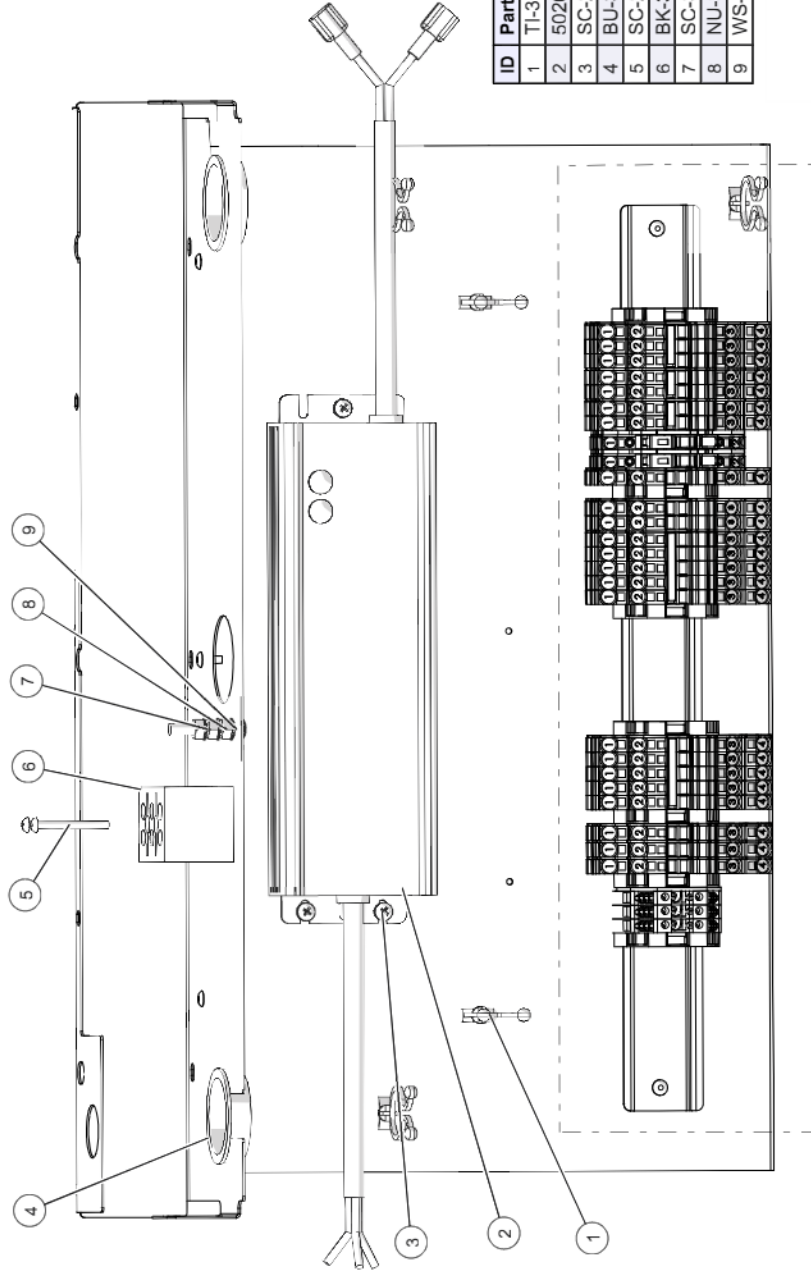
ID	Part No.	Description
1	TI-35719	TIE, TWIST LOCK 0.5" STANDOFF
2	CN-3052	CONTACTOR 208/240V 3 POLE 25 AMP
3	SC-22273	SCREW,M4x0.7X10MM PAN
4	SC-2365	SCREW, 6-32 X 1-1/4" PAN
5	BK-3019	T-BLOCK
6	WS-2467	WASHER, INT. LOCK
7	NU-36234	NUT, M5, KEPS
8	SC-38128	SCREW,PAN PH, METRIC, M5
9	5020740R	POWER SUPPLY WITH CONNECTORS

## DIN Rail and Terminals, HSM-24 (208-240V)



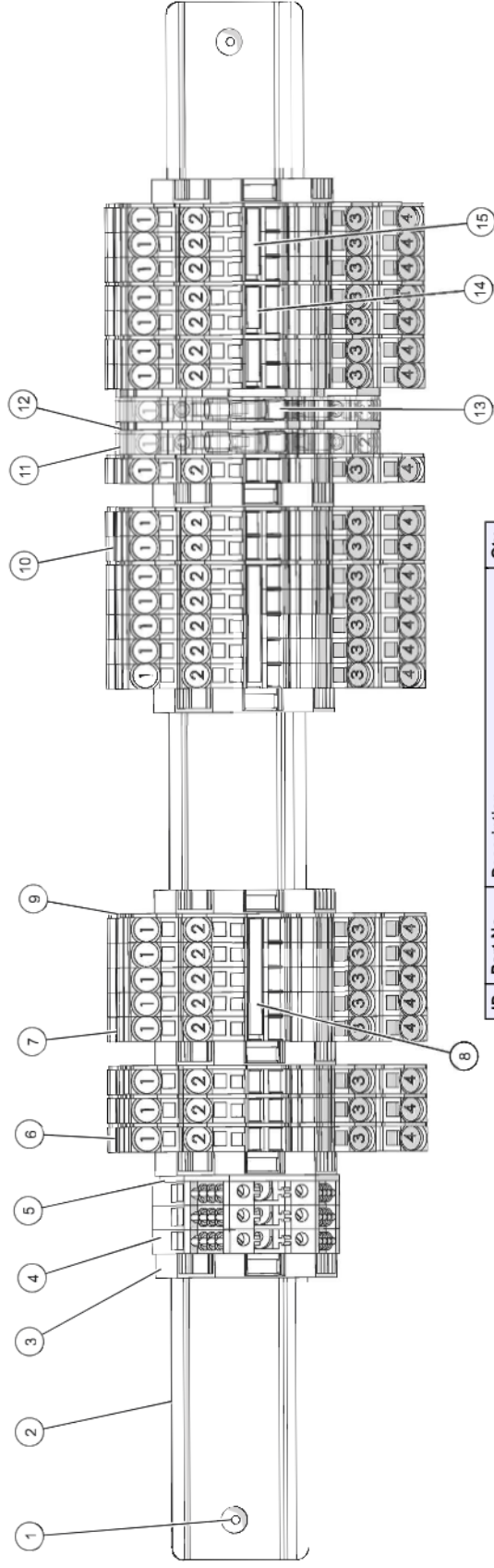
ID	Part No.	Description	Qty
1	RI-38125	RIVET,SEALED, .125"	2
2	1013459	DIN RAIL,SOLID SURFACE, 450MM	1
3	TM-39606	TERMINAL, SCREWLESS END	8
4	TM-47506	TERMINAL, 6MM, 32A, 800V	5
5	TM-47507	END PLATE, 6MM TERMINAL	1
6	TM-39574	TERMINAL, 6mm, ORANGE, SPRING	17
7	TM-39575	TERMINAL, 6mm, BLUE, SPRING	10
8	TM-39585	JUMPER, 2 POLE	1
9	TM-39582	JUMPER, 5 POLE	2
10	TM-39579	TERMINAL,GROUND, 6mm, SPRING	2
11	TM-39576	TERMINAL, END SECTION, SPRING	12
12	TM-39577	TERMINAL, FUSE HOLDER,	2
13	FU-33452	NEOZED, 6.3 AMP	2
14	TM-39578	TERMINAL, END PLATE	2
15	TM-39584	JUMPER, 3 POLE	2
16	TM-39583	JUMPER, 4 POLE	1

# Electronic Components Package, HSM-24/3S/T (208-240V 1PH)



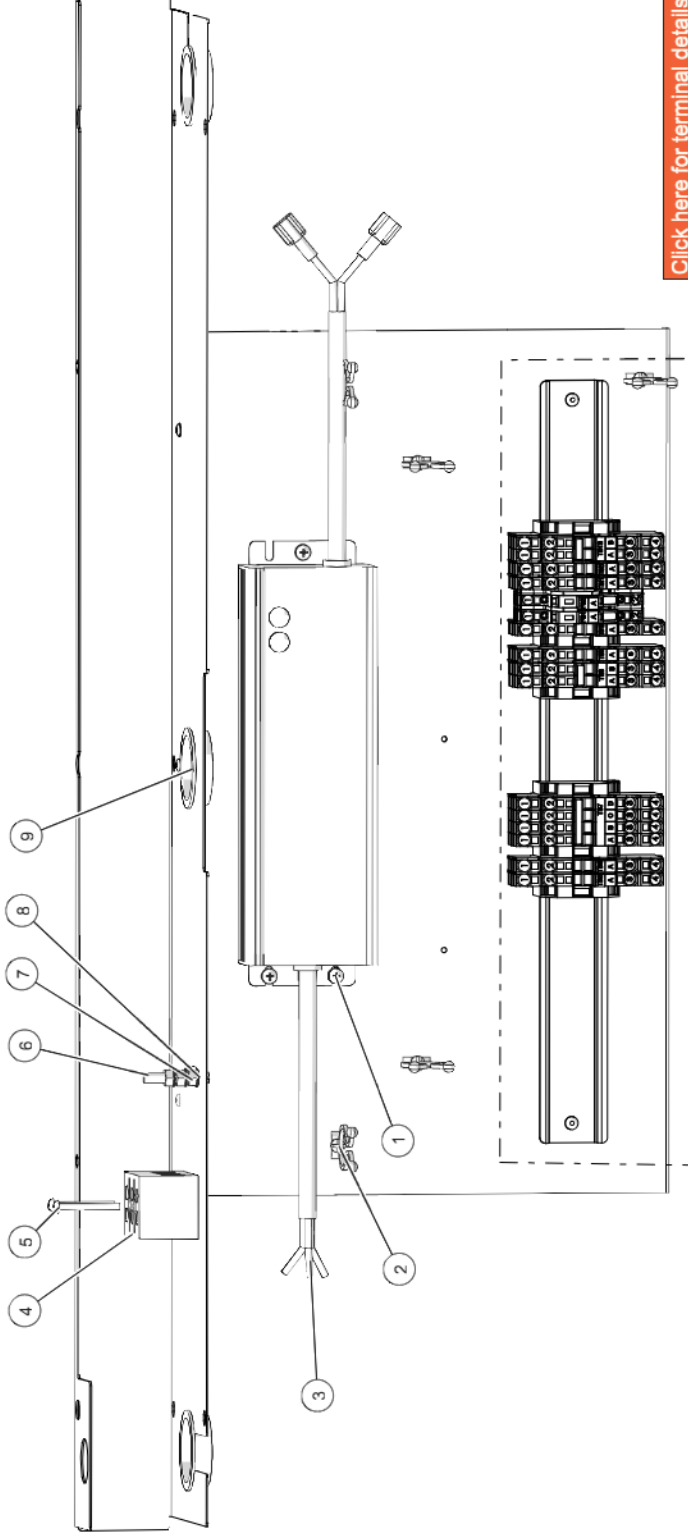
ID	Part No.	Description
1	TI-35719	TIE, TWIST LOCK 0.5" STANDOFF
2	5020740R	POWER SUPPLY WITH CONNECTORS
3	SC-22271	SCREW, M4x0.7X6MM PAN
4	BU-3013	BUSHING, SNAP, 1 1/2"
5	SC-2365	SCREW, 6-32 X 1-1/4" PAN
6	BK-3019	T-BLOCK
7	SC-38128	SCREW, PAN PH, METRIC, M5
8	NUJ-36234	NUT, M5, KEPS
9	WS-2467	WASHER, INT. LOCK

## DIN Rail and Terminals, HSM-24/3S/T (208-240V 1PH)



ID	Part No.	Description	Qty
1	RI-38125	RIVET,SEALED.,.125"	2
2	1013636	DIN RAIL,SOLID SURFACE, 390MM	1
3	TM-39606	TERMINAL, SCREWLESS END	7
4	TM-47506	TERMINAL, 6MM, 32A, 800V	3
5	TM-47507	END PLATE, 6MM TERMINAL	1
6	TM-39574	TERMINAL, 6mm, ORANGE, SPRING	13
7	TM-39575	TERMINAL, 6mm, BLUE, SPRING	8
8	TM-39582	JUMPER, 5 POLE	2
9	TM-39576	TERMINAL, END SECTION, SPRING	10
10	TM-39579	TERMINAL,GROUND, 6mm, SPRING	2
11	TM-39577	TERMINAL, FUSE HOLDER,	2
12	TM-39578	TERMINAL, END PLATE	2
13	FU-33452	NEOZED, 6.3 AMP	2
14	TM-39585	JUMPER, 2 POLE	2
15	TM-39584	JUMPER, 3 POLE	1

# Electronic Components Package, HSM-36/2S (120V 1PH)

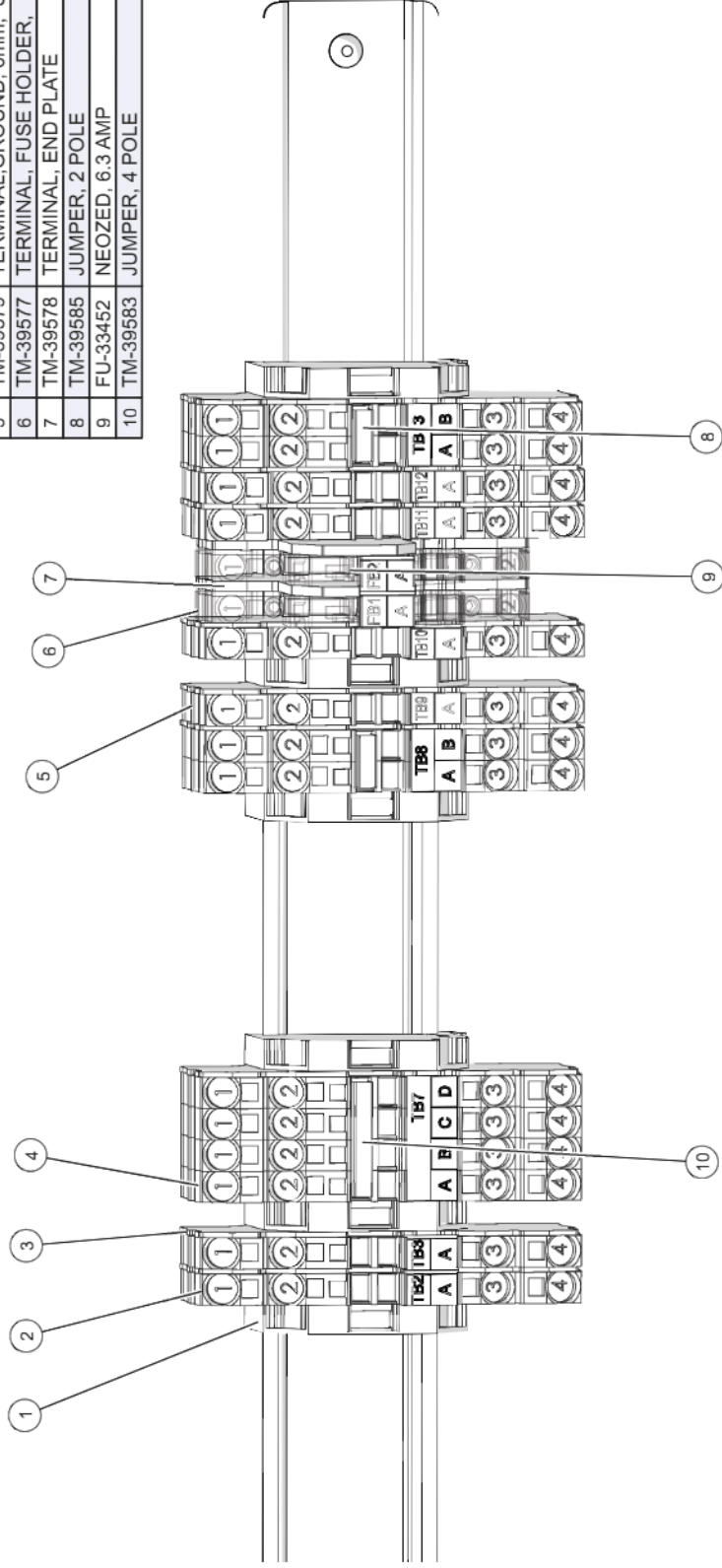


[Click here for terminal details](#)

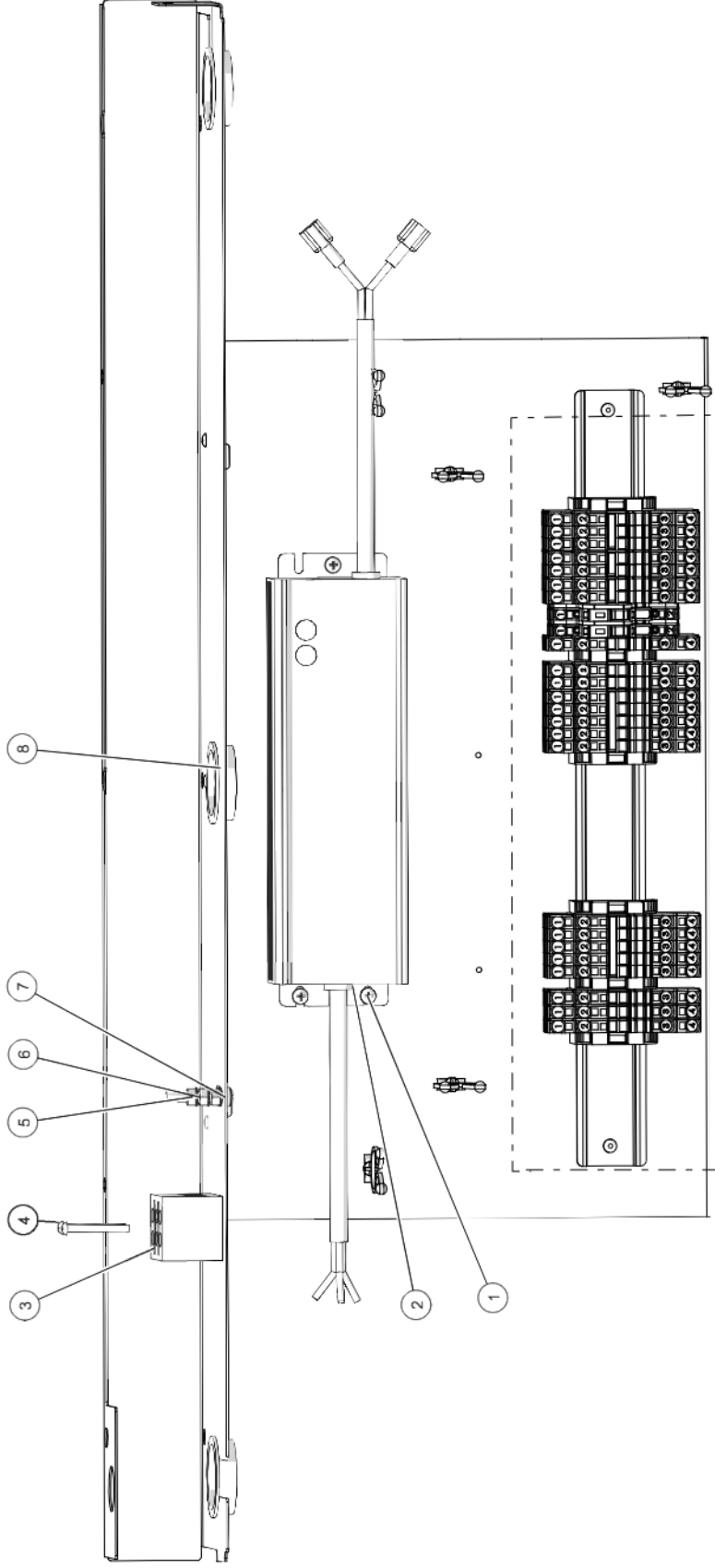
ID	Part No.	Description
1	SC-22271	SCREW,M4x0.7X6MM PAN
2	TI-35719	TIE, TWIST LOCK 0.5" STANDOFF
3	5020740	POWER SUPPLY W/CONNECTORS
4	BK-3019	T-BLOCK
5	SC-2365	SCREW, 6-32 X 1-1/4" PAN
6	SC-38128	SCREW,PAN PH, METRIC, M5
7	NU-36234	NUT, M5, KEPS
8	WS-2467	WASHER, INT. LOCK
9	BU-3013	BUSHING,SNAP,1 1/2"

## DIN Rail and Terminals, HSM-36/2S (120V 1PH)

ID	Part No.	Description	Qty
1	TM-39606	TERMINAL, SCREWLESS END	6
2	TM-39574	TERMINAL, 6mm, ORANGE, SPRING	7
3	TM-39576	TERMINAL, END SECTION, SPRING	9
4	TM-39575	TERMINAL, 6mm, BLUE, SPRING	6
5	TM-39579	TERMINAL, GROUND, 6mm, SPRING	1
6	TM-39577	TERMINAL, FUSE HOLDER,	2
7	TM-39578	TERMINAL, END PLATE	2
8	TM-39585	JUMPER, 2 POLE	2
9	FU-33452	NEOZED, 6.3 AMP	2
10	TM-39583	JUMPER, 4 POLE	1



# Electronic Components Package, HSM-36/3S (208-240V 1PH)

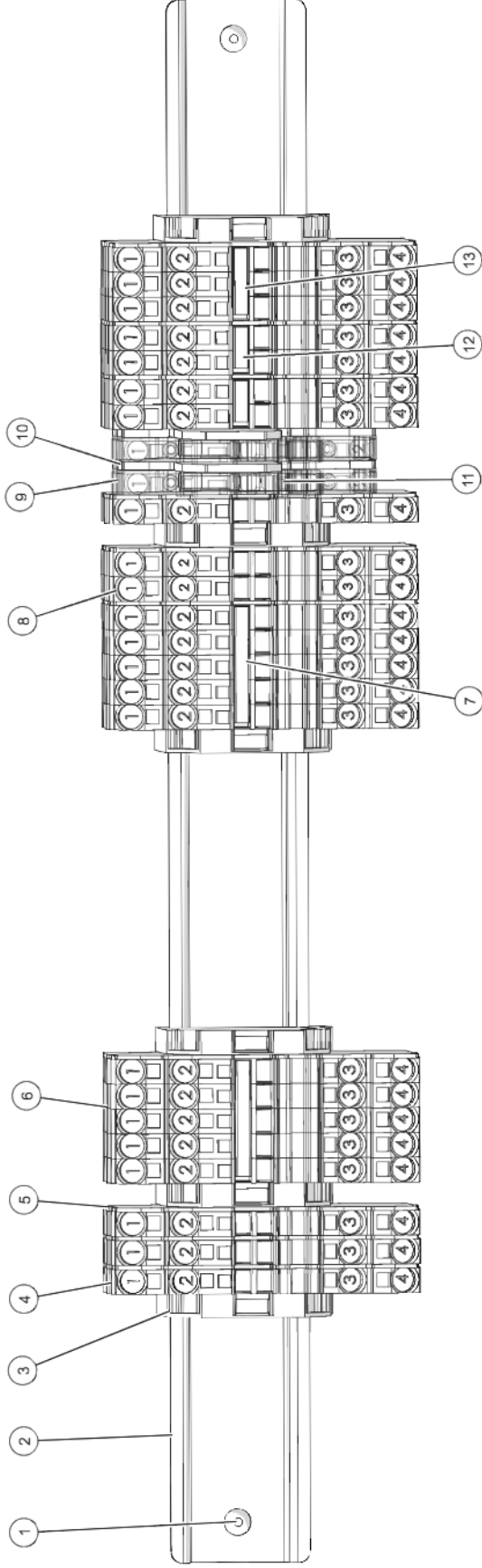


ID	Part No.	Description
1	SC-22271	SCREW,M4x0.7X6MM PAN
2	5020740R	POWER SUPPLY WITH CONNECTORS
3	BK-3019	T-BLOCK
4	SC-2365	SCREW, 6-32 X 1-1/4" PAN
5	NU-36234	NUT, M5, KEPS
6	SC-38128	SCREW,PAN PH, METRIC, M5
7	WS-2467	WASHER, INT. LOCK
8	BU-3013	BUSHING,SNAP,1 1/2"



# DIN RAIL AND TERMINALS, HSM-36/3S (208-240V 1PH)

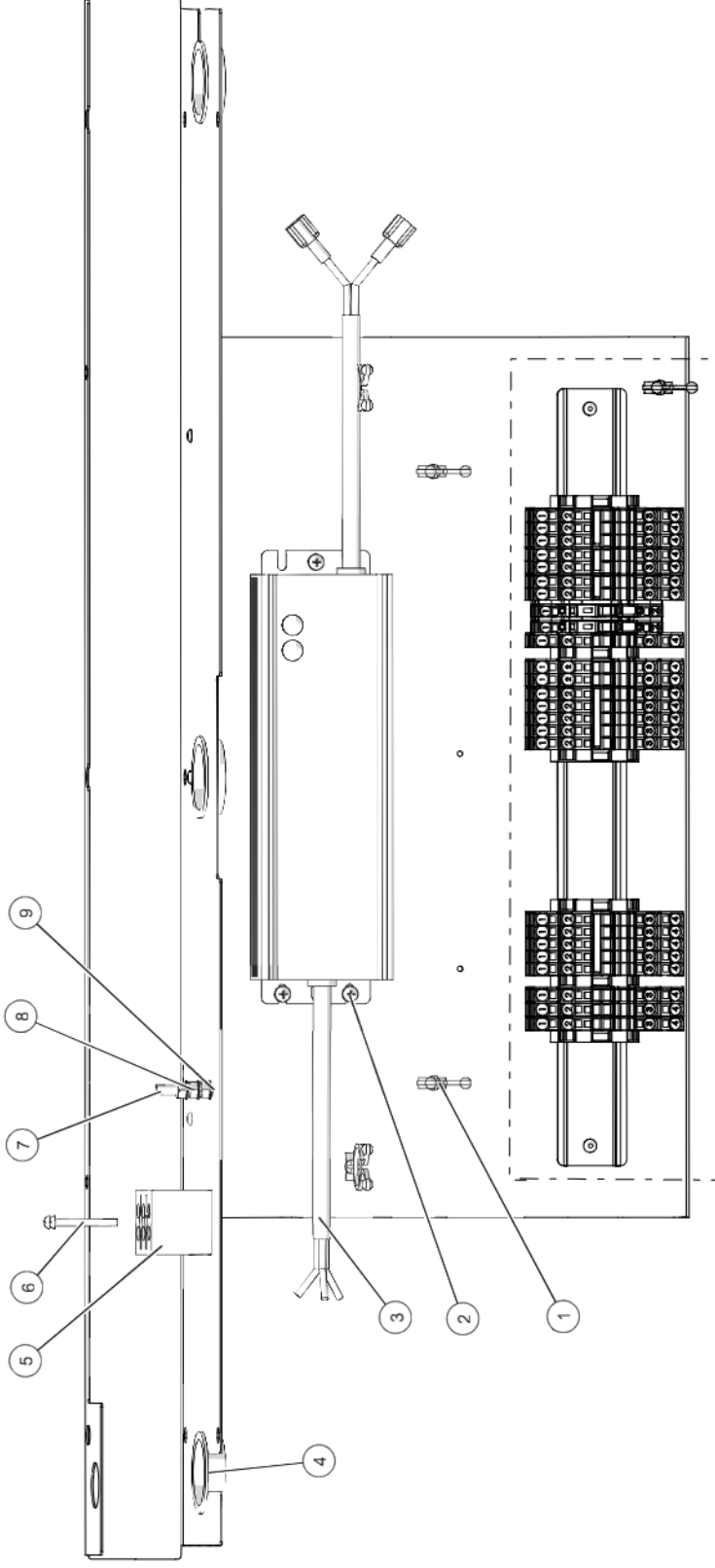
## DIN Rail and Terminals, HSM-36/3S (208-240V 1PH)



ID	Part No.	Description	Qty
1	RI-38125	RIVET SEALED, .125"	2
2	1013636	DIN RAIL, SOLID SURFACE, 390MM	1
3	TM-39606	TERMINAL, SCREWLESS END	6
4	TM-39574	TERMINAL, 6mm, ORANGE, SPRING	13
5	TM-39576	TERMINAL, END SECTION, SPRING	10
6	TM-39575	TERMINAL, 6mm, BLUE, SPRING	8
7	TM-39582	JUMPER, 5 POLE	2
8	TM-39579	TERMINAL, GROUND, 6mm, SPRING	2
9	TM-39577	TERMINAL, FUSE HOLDER,	2
10	TM-39578	TERMINAL, END PLATE	2
11	FU-33452	NEOZED, 6.3 AMP	2
12	TM-39585	JUMPER, 2 POLE	2
13	TM-39584	JUMPER, 3 POLE	1

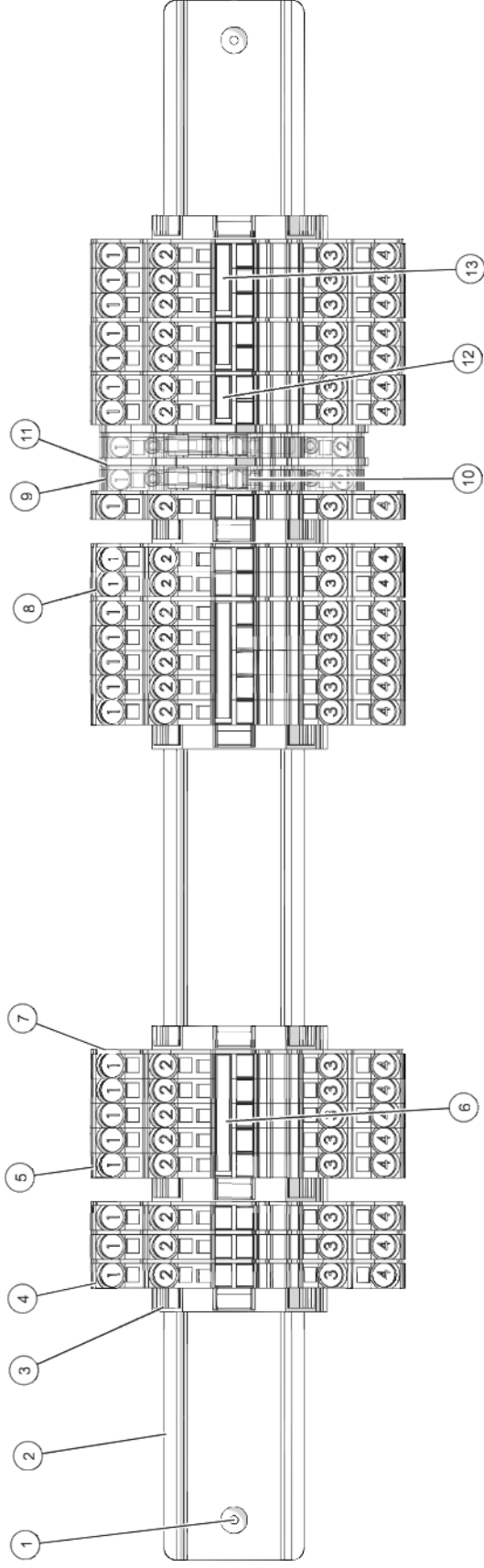


# Electronic Components Package, HSM-36/CT



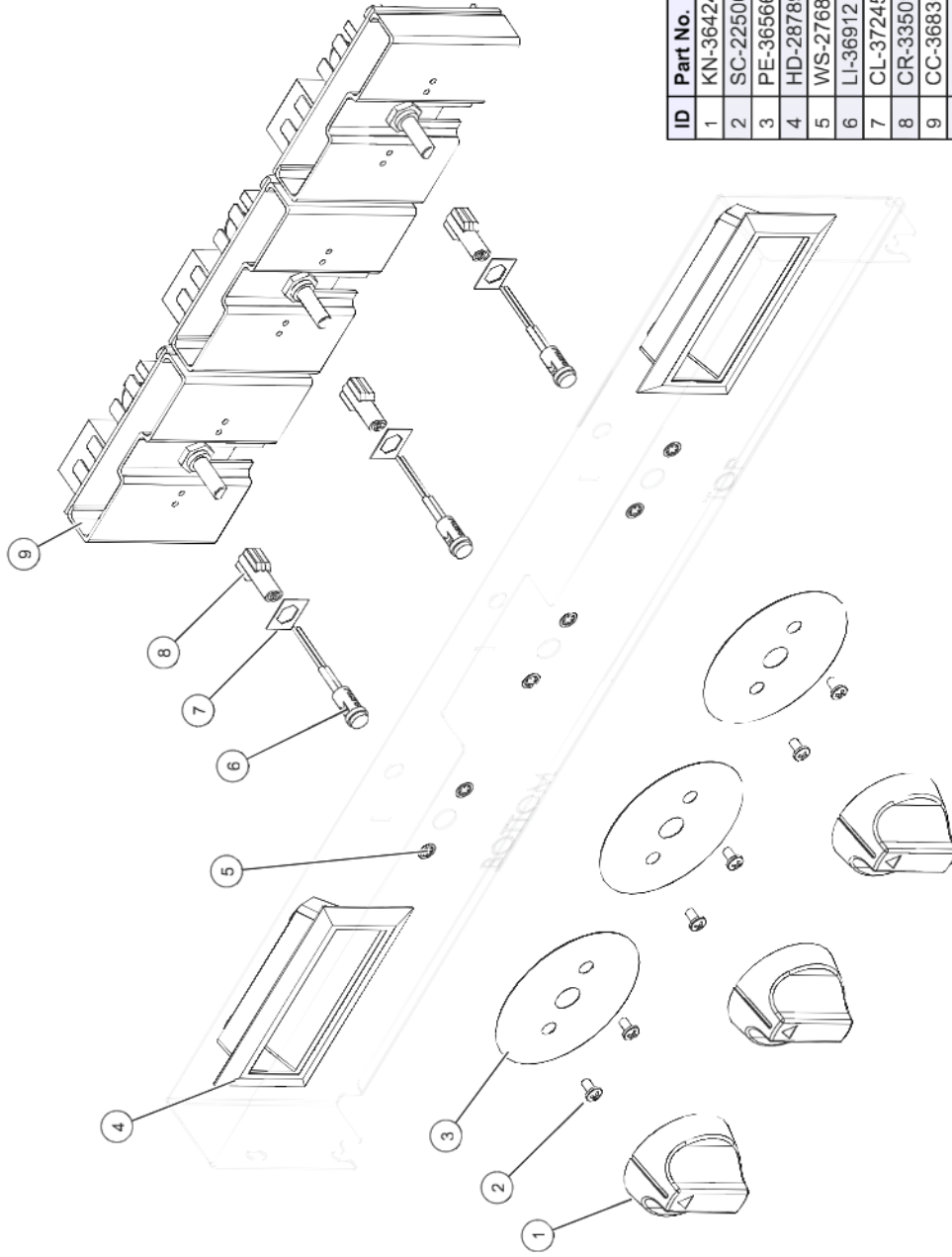
ID	Part No.	Description
1	TI-35719	TIE, TWIST LOCK 0.5" STANDOFF
2	SC-22271	SCREW,M4x0.7X6MM PAN
3	5020740R	POWER SUPPLY WITH CONNECTORS
4	BU-3013	BUSHING,SNAP,1 1/2"
5	BK-3019	T-BLOCK
6	SC-2365	SCREW, 6-32 X 1-1/4" PAN
7	SC-38128	SCREW,PAN PH, METRIC, M5
8	NU-36234	NUJ, M5, KEPS
9	WS-2467	WASHER, INT. LOCK

# DIN Rail and Terminals, HSM-36/CT



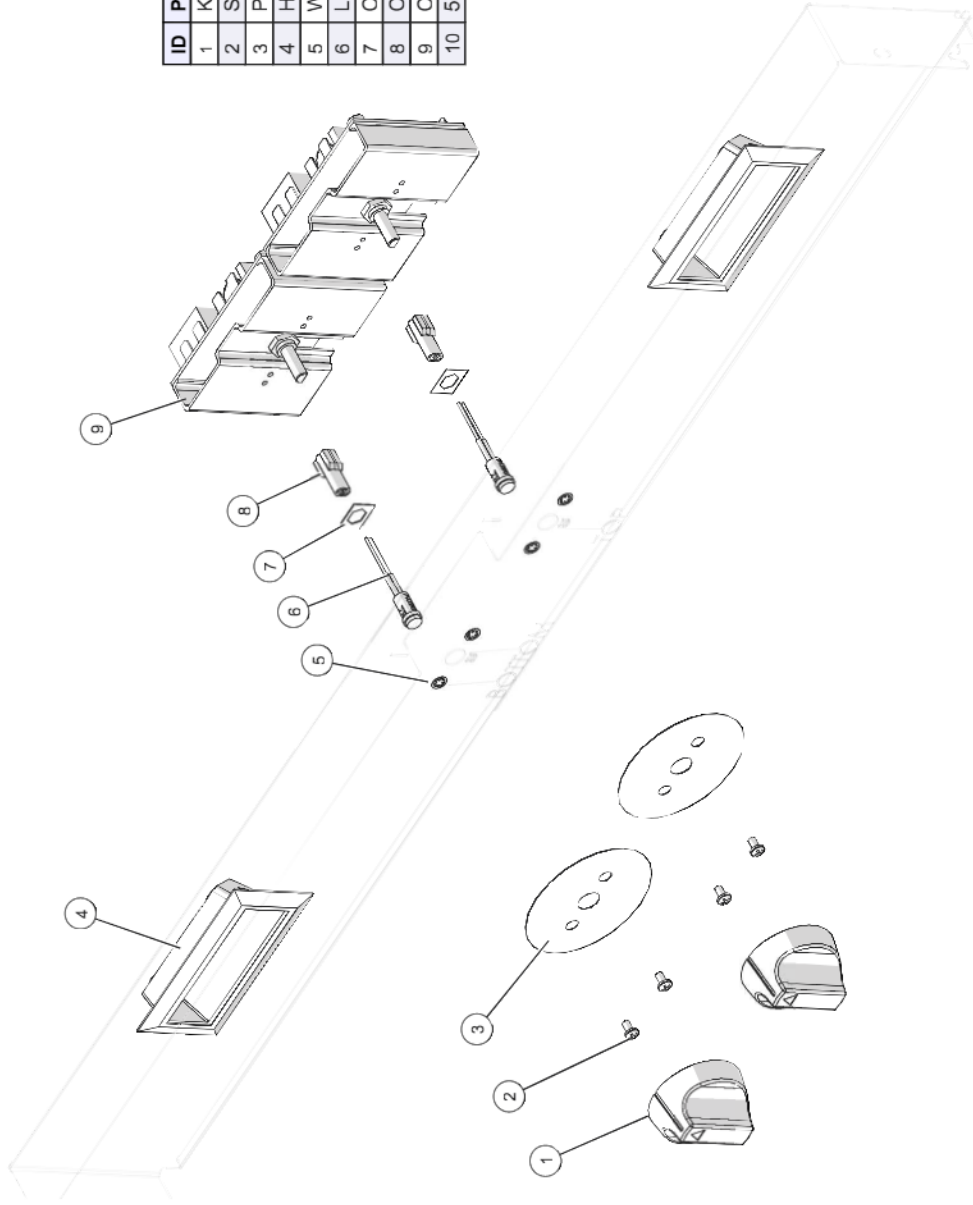
ID	Part No.	Description	Qty
1	RI-38125	RIVET, SEALED, .125"	2
2	1013636	DIN RAIL, SOLID SURFACE, .390MM	1
3	TM-39606	TERMINAL, SCREWLESS END	6
4	TM-39574	TERMINAL, 6mm, ORANGE, SPRING	13
5	TM-39575	TERMINAL, 6mm, BLUE, SPRING	8
6	TM-39582	JUMPER, 5 POLE	2
7	TM-39576	TERMINAL, END SECTION, SPRING	10
8	TM-39579	TERMINAL, GROUND, 6mm, SPRING	2
9	TM-39577	TERMINAL, FUSE HOLDER,	2
10	FU-33452	NEOZED, 6.3 AMP	2
11	TM-39578	TERMINAL, END PLATE	2
12	TM-39585	JUMPER, 2 POLE	2
13	TM-39584	JUMPER, 3 POLE	1

# Control Assembly, HSM-24/3S/T



ID	Part No.	Description
1	KN-36424	KNOB, UNIBODY, T-STAT CONTROL
2	SC-22500	SCREW, 6-32 X 1/4" PAN
3	PE-36566	PANEL OVERLAY, ELAN CONTROL
4	HD-28789	HANDLE, PULL RECESSED, BLACK
5	WS-2768	WASHER, #6, LOCK, INT., #410 SS
6	LI-36912	LIGHT, IND., 250V, GREEN, 312 HOLE
7	CL-37245	CLIP, LIGHT MOUNTING XYZ
8	CR-33509	CONNECTOR, QUICK DISCONNECT
9	CC-36830	CONTROL, ELAN, DETENT, 300F MAX
10	5032119	WIRE ASSEMBLY, HSM-36-3S (not shown)

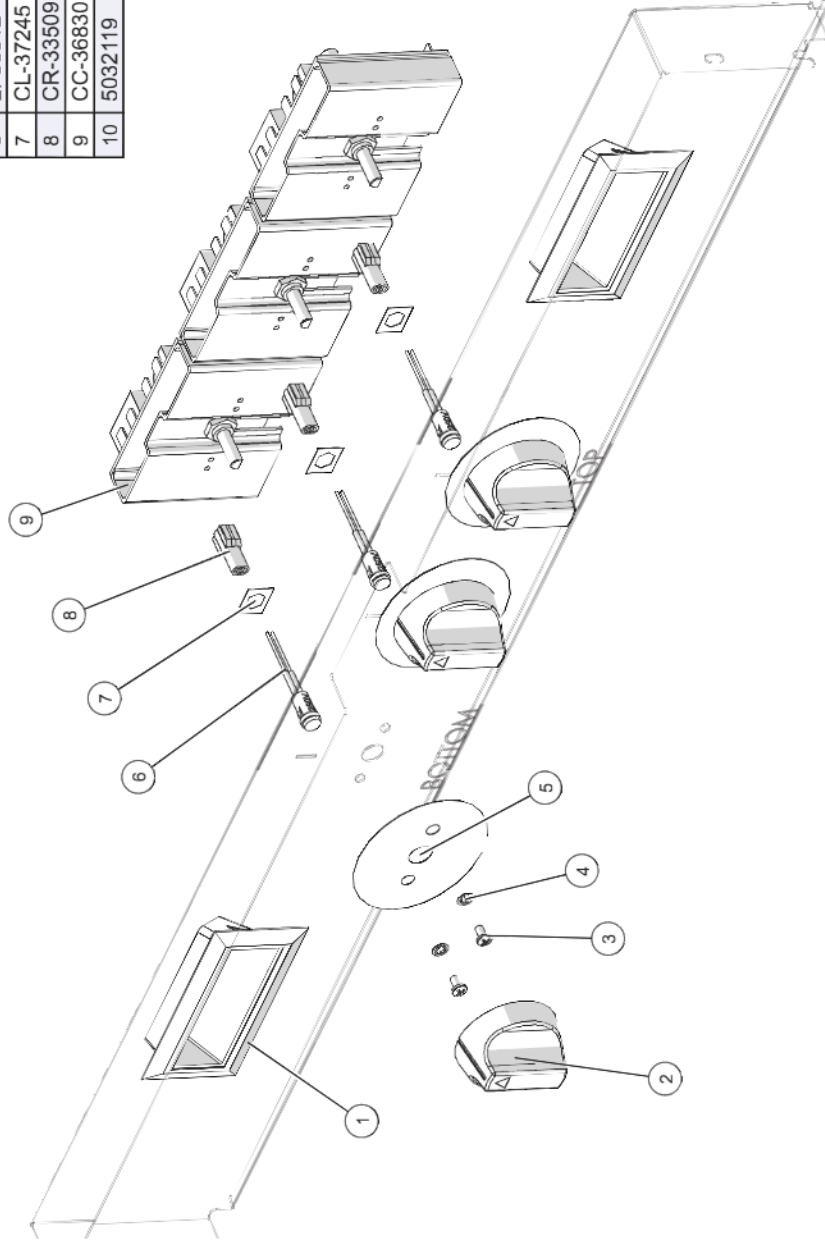
# Control Assembly, HSM-36/2S/T



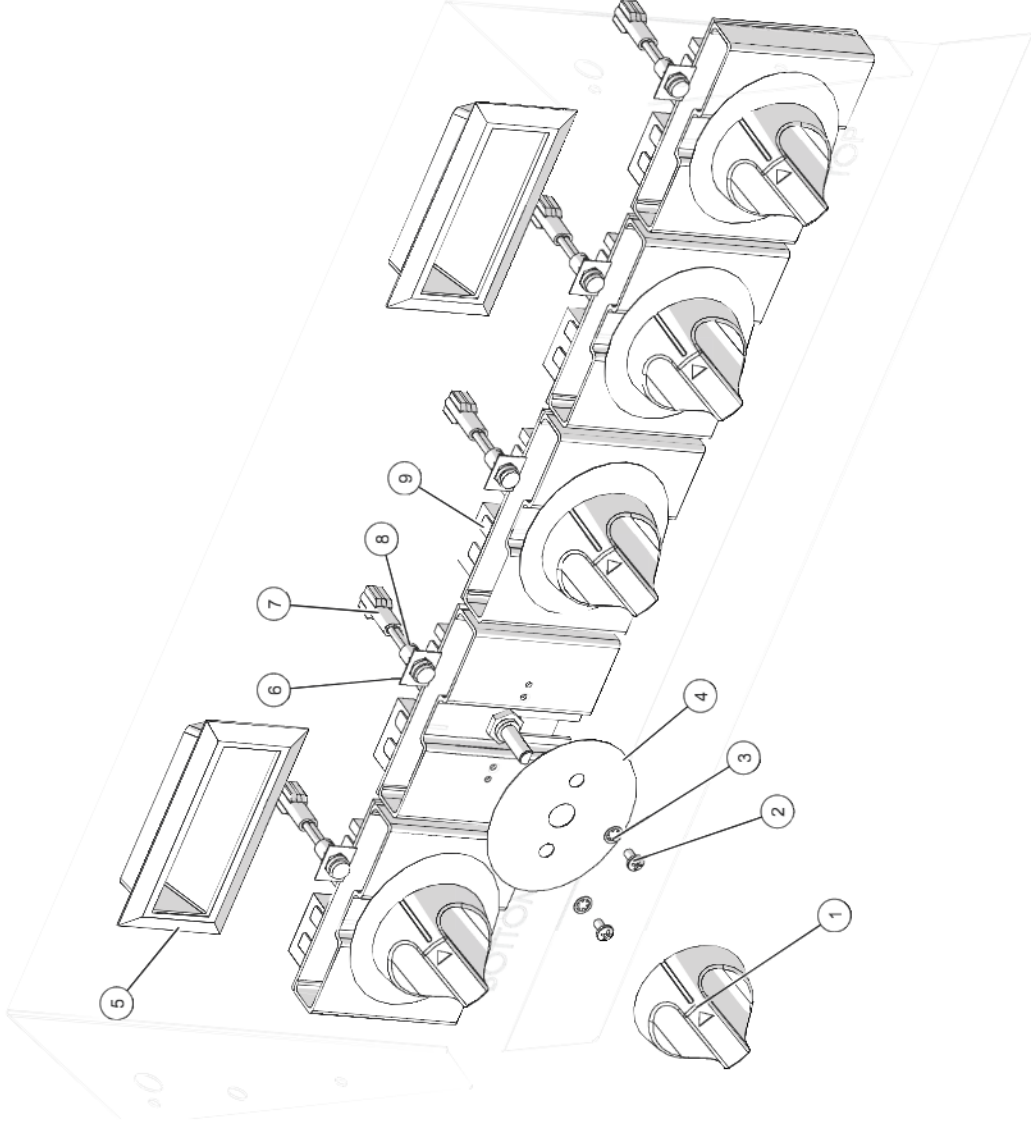
ID	Part No.	Description
1	KN-36424	KNOB, UNIBODY, T-STAT CONTROL
2	SC-22500	SCREW, 6-32 X 1/4" PAN
3	PE-36566	PANEL OVERLAY, ELAN CONTROL
4	HD-28789	HANDLE, PULL RECESSED, BLACK
5	WS-2768	WASHER,#6,LOCK,INT., #410 SS
6	LI-36912	LIGHT,IND.,250V,GREEN,,312 HOLE
7	CL-37245	CLIP, LIGHT MOUNTING XYZ
8	CR-33509	CONNECTOR, QUICK DISCONNECT
9	CC-36830	CONTROL, ELAN, DETENT,300F MAX
10	5032639	WIRE ASSEMBLY, HSM-36 2S (not shown)

# Control Assembly, HSM-36/3S/T

ID	Part No.	Description
1	HD-28789	HANDLE, PULL RECESSED, BLACK
2	KN-36424	KNOB, UNIBODY, T-STAT CONTROL
3	SC-22500	SCREW, 6-32 X 1/4" PAN
4	WS-2768	WASHER,#6,LOCK,INT., #410 SS
5	PE-36566	PANEL OVERLAY, ELAN CONTROL
6	LI-36912	LIGHT,IND.,250V,GREEN,,312 HOLE
7	CL-37245	CLIP, LIGHT MOUNTING XYZ
8	CR-33509	CONNECTOR, QUICK DISCONNECT
9	CC-36830	CONTROL, ELAN, DETENT, 300F MAX
10	5032119	WIRE ASSEMBLY, HSM-36-3S (not shown)



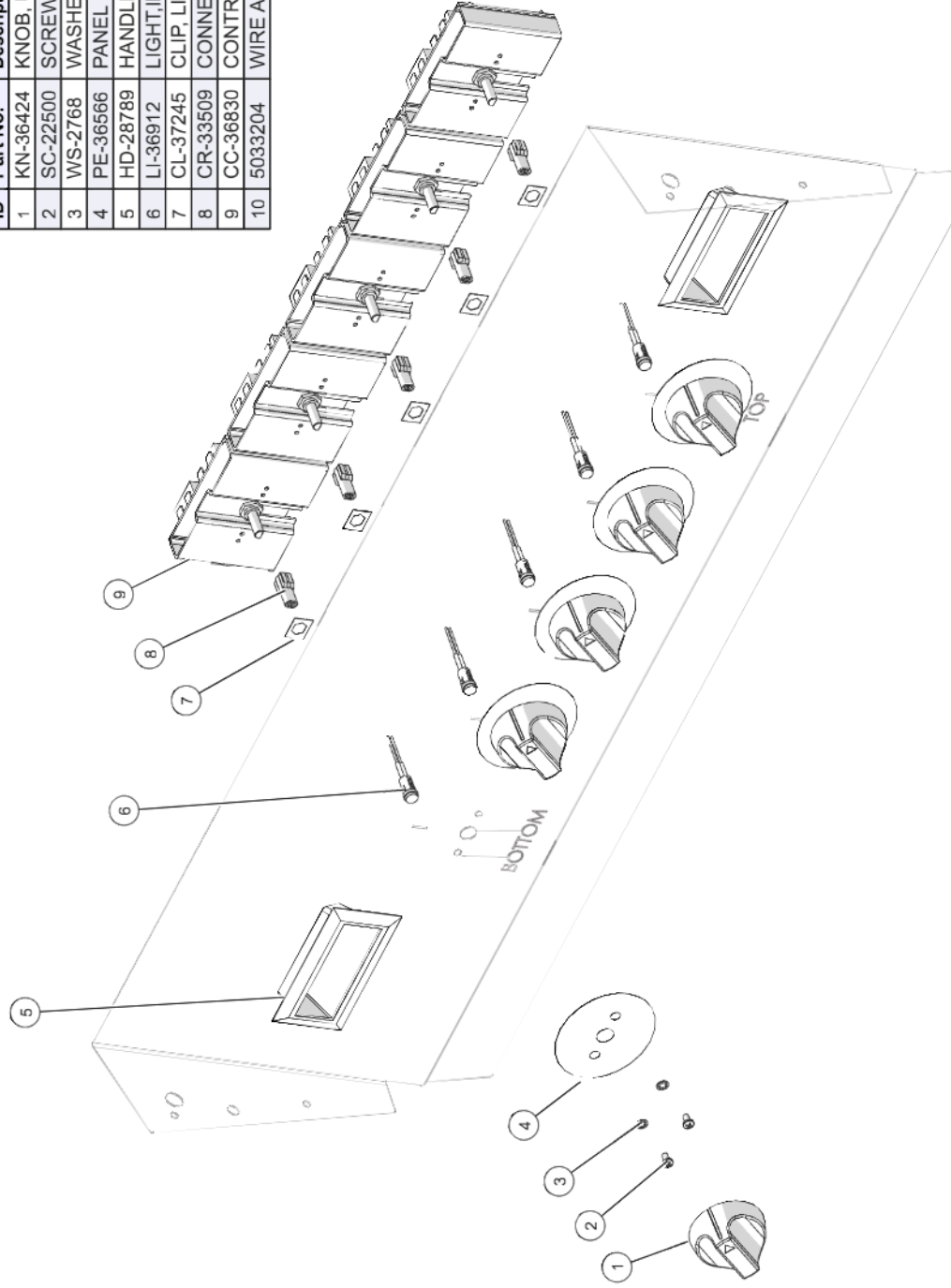
## Control Assembly, HSM-24/5S/T



ID	Part No.	Description
1	KN-36424	KNOB, UNIBODY, T-STAT CONTROL
2	SC-22500	SCREW, 6-32 X 1/4" PAN
3	WS-2768	WASHER, #6, LOCK, INT., #410 SS
4	PE-36566	PANEL OVERLAY, ELAN CONTROL
5	HD-28789	HANDLE, PULL RECESSED, BLACK
6	CL-37245	CLIP, LIGHT MOUNTING XYZ
7	CR-33509	CONNECTOR, QUICK DISCONNECT
8	LI-36912	LIGHT, IND., 250V, GREEN, .312 HOLE
9	CC-36830	CONTROL, ELAN, DETENT, 300F MAX

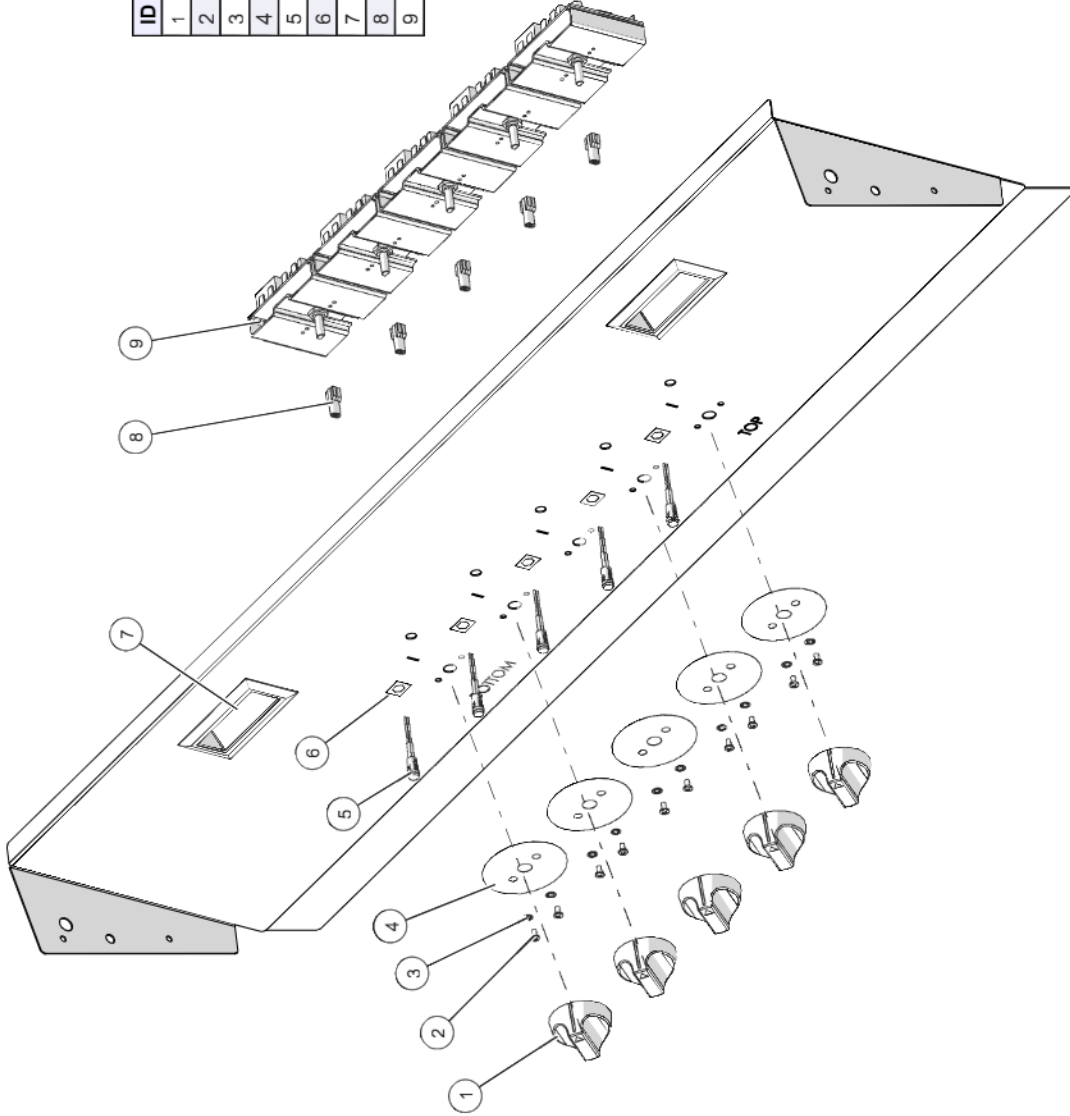
# Control Assembly, HSM-36/5S/T

ID	Part No.	Description
1	KN-36424	KNOB, UNIBODY, T-STAT CONTROL
2	SC-22500	SCREW, 6-32 X 1/4" PAN
3	WS-2768	WASHER,#6,LOCK,INT., #410 SS
4	PE-36566	PANEL OVERLAY, ELAN CONTROL
5	HD-28789	HANDLE, PULL RECESSED, BLACK
6	LI-36912	LIGHT,IND.,250V,GREEN,.312 HOLE
7	CL-37245	CLIP, LIGHT MOUNTING XYZ
8	CR-33509	CONNECTOR, QUICK DISCONNECT
9	CC-36830	CONTROL, ELAN, DETENT,300F MAX
10	5033204	WIRE ASSEMBLY, HSM-36 5S (not shown)





# Control Assembly, HSM-48/5S/T

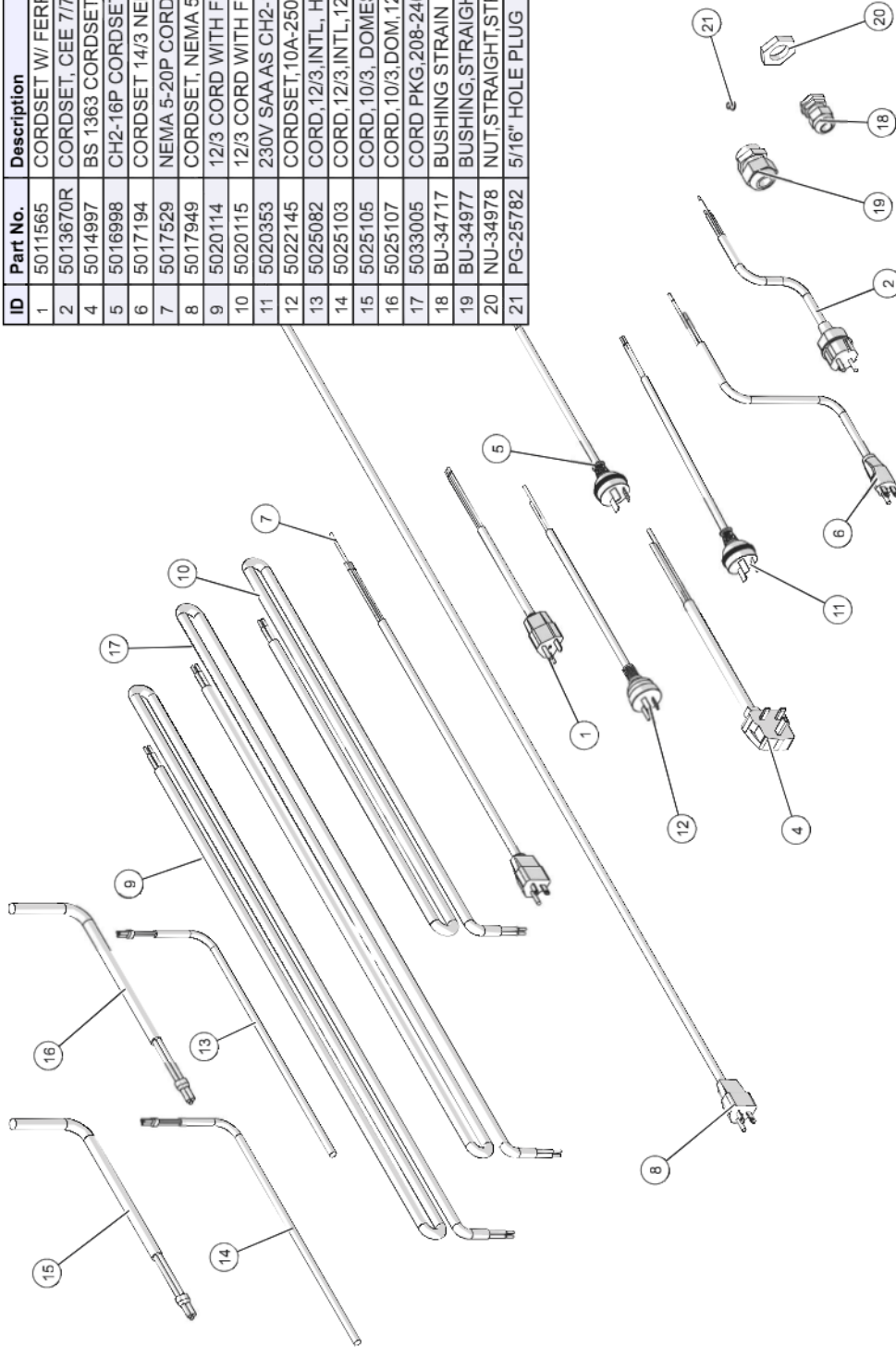


ID	Part No.	Description
1	KN-36424	KNOB, UNIBODY, T-STAT CONTROL
2	SC-22500	SCREW, 6-32 X 1/4" PAN
3	WS-2768	WASHER, #6 LOCK, INT., #410 SS
4	PE-36566	PANEL OVERLAY, ELAN CONTROL
5	LI-36912	LIGHT, IND., 250V, GREEN, .312 HOLE
6	CL-37245	CLIP, LIGHT MOUNTING XYZ
7	HD-28789	HANDLE, PULL RECESSED, BLACK
8	CR-33509	CONNECTOR, QUICK DISCONNECT
9	CC-36830	CONTROL, ELAN, DETENT, 300F MAX

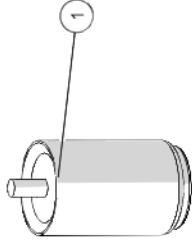


# Cordsets

ID	Part No.	Description
1	5011565	CORDESET W/ FERRULES
2	5013670R	CORDESET, CEE 7/7
4	5014997	BS 1363 CORDESET
5	5016998	CH2-16P CORDESET FERRULE ASSEMBLY
6	5017194	CORDESET 14/3 NEMA 6-15P 15A-250V
7	5017529	NEMA 5-20P CORDESET ASSEMBLY
8	5017949	CORDESET, NEMA 5-20P
9	5020114	12/3 CORD WITH FERRULES, 9'
10	5020115	12/3 CORD WITH FERRULES, 12'
11	5020353	230V SAAAS CH2-16P CORDESET
12	5022145	CORDESET, 10A-250V, AS/NZS 3112:2000
13	5025082	CORD, 12/3, INTL, HARMONIZED, 9'
14	5025103	CORD, 12/3, INTL, 12 FT LONG
15	5025105	CORD, 10/3, DOMESTIC, 9'
16	5025107	CORD, 10/3, DOM, 12 FT LONG
17	5033005	CORDESET, 208-240V, 12/3, 20 AMP
18	BU-34717	BUSHING STRAIN RELIEF 5.8-13.9mm
19	BU-34977	BUSHING, STRAIGHT, STRAIN RELIEF
20	NU-34978	NUT, STRAIGHT, STRAIN RELIEF
21	PG-25782	5/16" HOLE PLUG



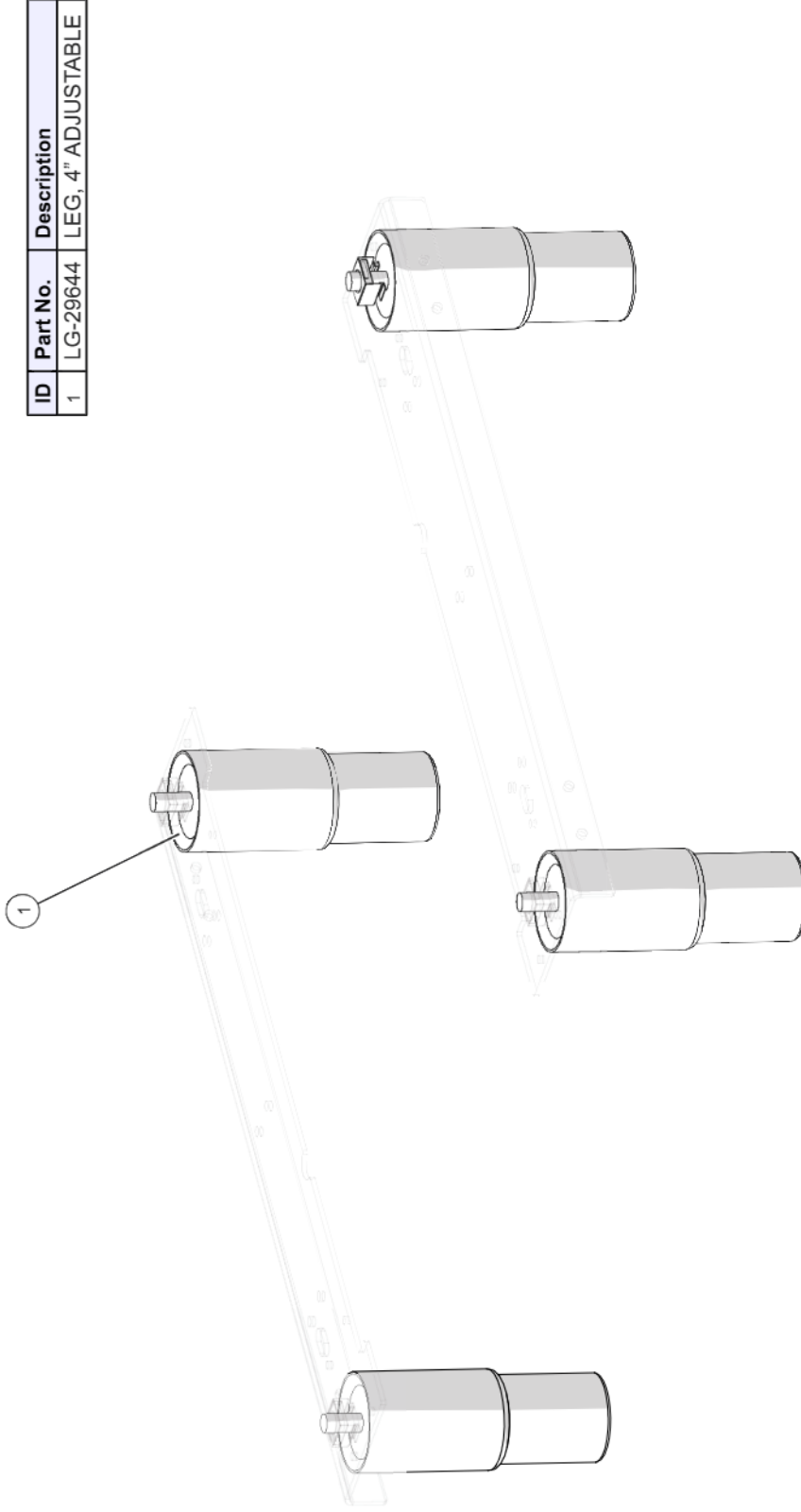
## Leg Package, HSM-24/CT or HSM-36/CT



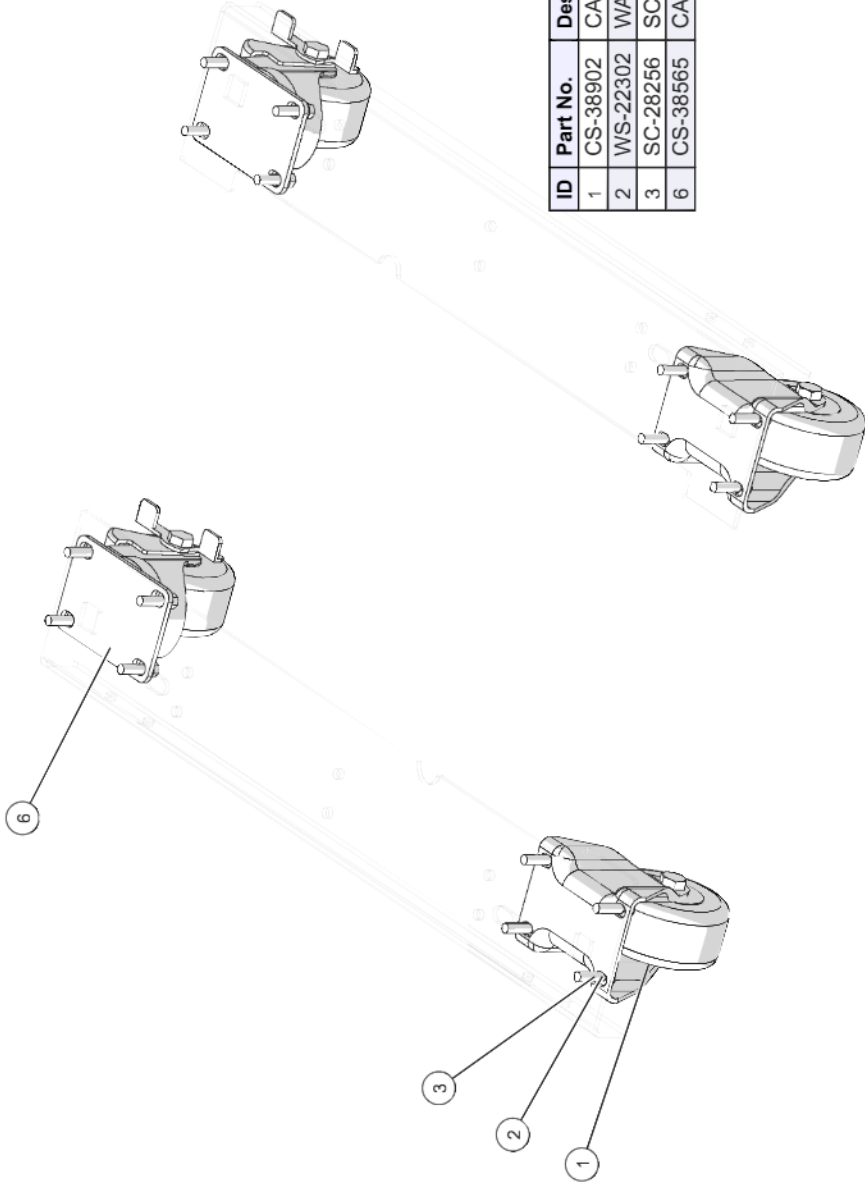
ID	Part No.	Description
1	LG-29644	LEG, 4" ADJUSTABLE



# Leg Package, Floor Models Only



## Casters, Floor Models Only

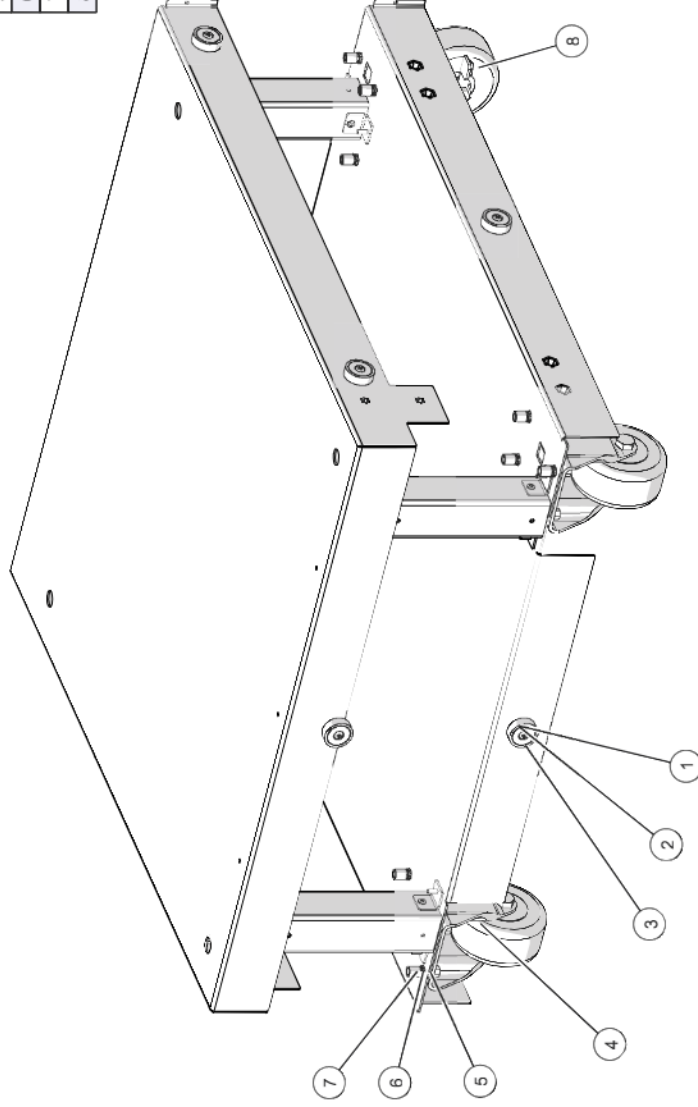


ID	Part No.	Description
1	CS-38902	CASTER, RIGID 3", FLAT
2	WS-22302	WASHER, M6 SPLIT LOCK (4 per caster)
3	SC-28256	SCREW, M6X1X20MM HEX FLG (4 per caster)
6	CS-38565	CASTER, SWIVEL 3", LOCK, FLAT

# Display Base with Casters, HSM-24/3S/T

Entire stand assembly: 5026172R

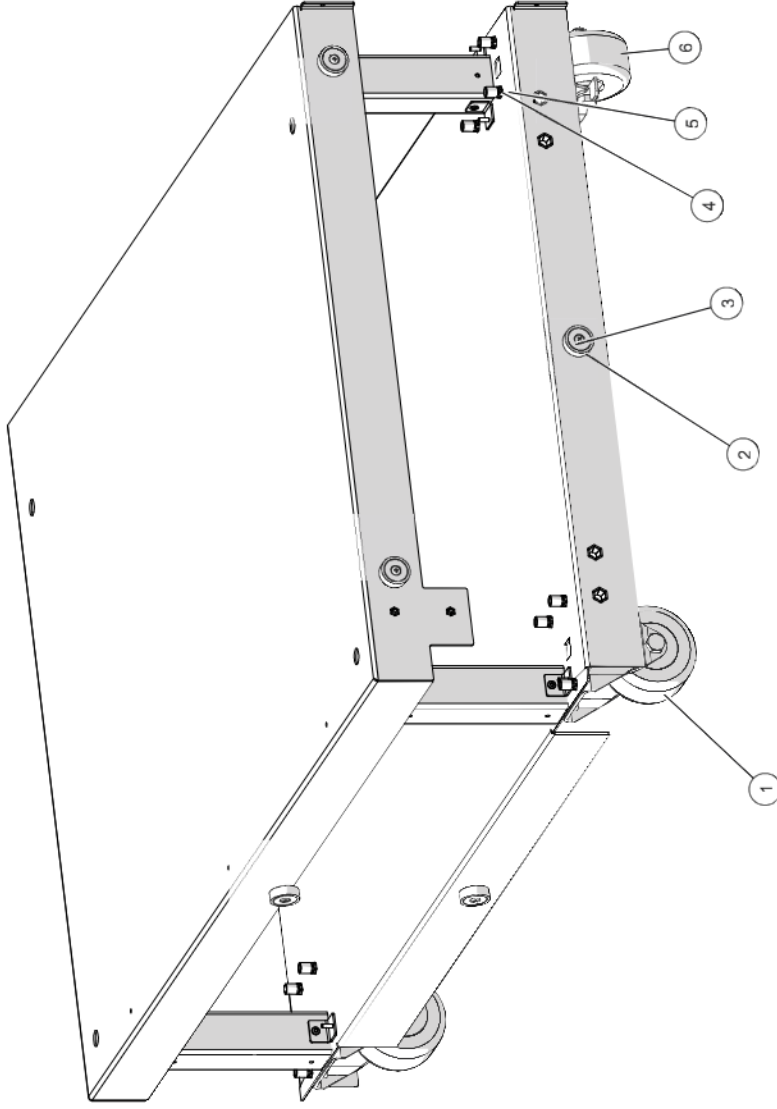
ID	Part No.	Description
1	NU-26866	NUT, HEX INSERT M4
2	SC-22765	SCREW, M4x0.7x20MM PAN
3	MA-38245	MAGNET, NEO, NICKEL PLATED
4	CS-38902	CASTER, RIGID 3", FLAT
5	WS-22302	WASHER, M6 SPLIT LOCK
6	SC-28256	SCREW, M6X1X20MM HEX FLG
7	NU-37269	NUT, HEX INSERT M6
8	CS-38565	CASTER, SWIVEL 3", LOCK, FLAT



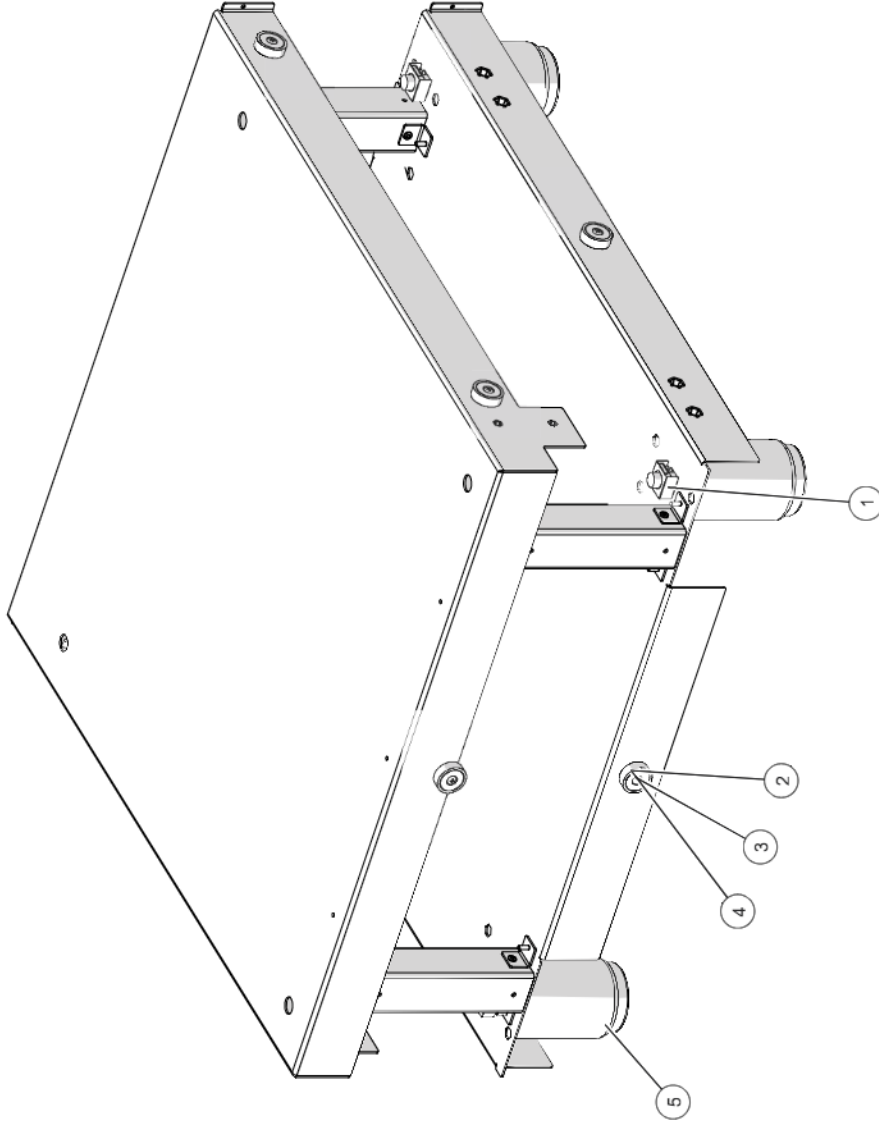
## Display Base with Casters, HSM-36/3S/T

Entire stand assembly : 5026176R

ID	Part No.	Description
1	CS-38902	CASTER, RIGID 3", FLAT
2	MA-38245	MAGNET, NEO, NICKEL PLATED
3	SC-22765	SCREW, M4x0.7X20MM PAN
4	SC-28256	SCREW, M6X1X20MM HEX FLG
5	WS-22302	WASHER, M6 SPLIT LOCK
6	CS-38565	CASTER, SWIVEL 3", LOCK, FLAT



# Display Base with Legs, HSM-24/3S/T



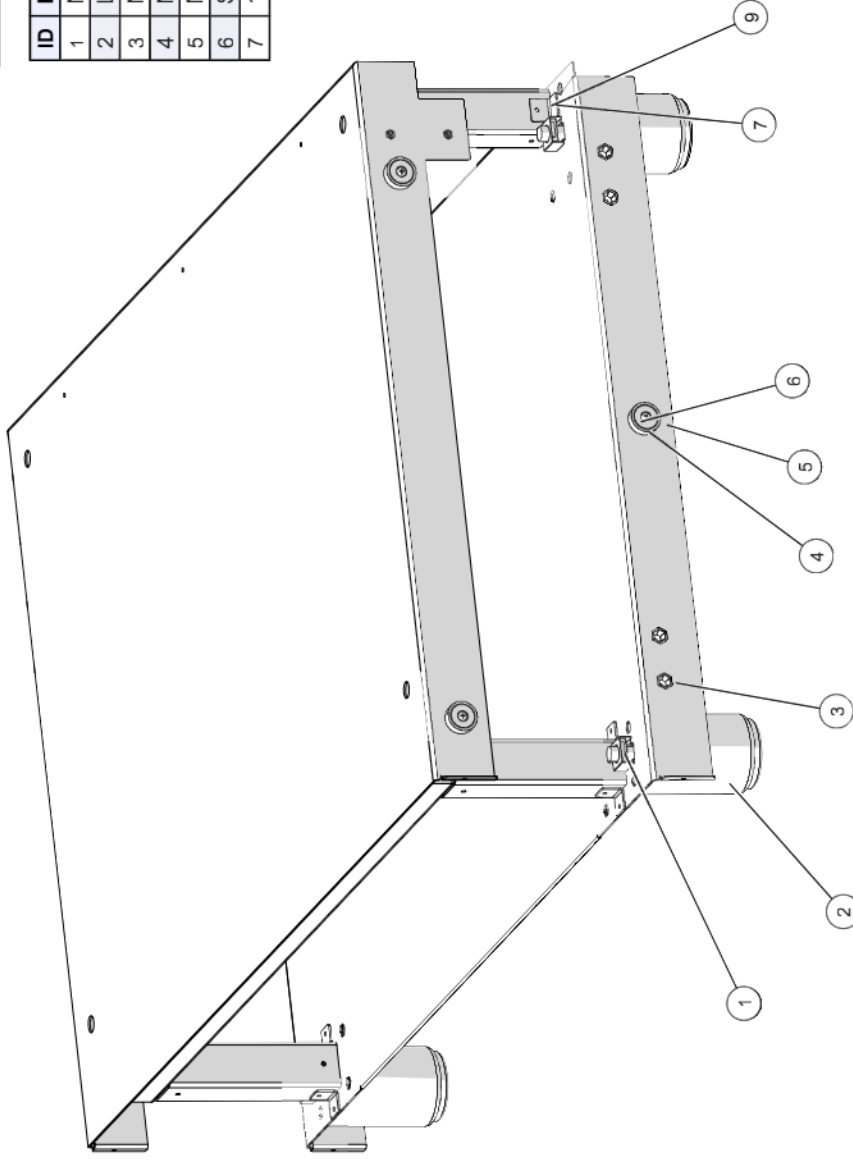
Entire stand assembly: 5026180R

ID	Part No.	Description
1	NU-37699	NUT, CAGE M12 X 1.75 THREAD
2	NU-26866	NUT, HEX INSERT M4
3	MA-38245	MAGNET, NEO, NICKEL PLATED
4	SC-22765	SCREW, M4x0.7X20MM PAN
5	LG-29644	LEG, 4" ADJUSTABLE

## Display Base with Legs, HSM-36/3S/T

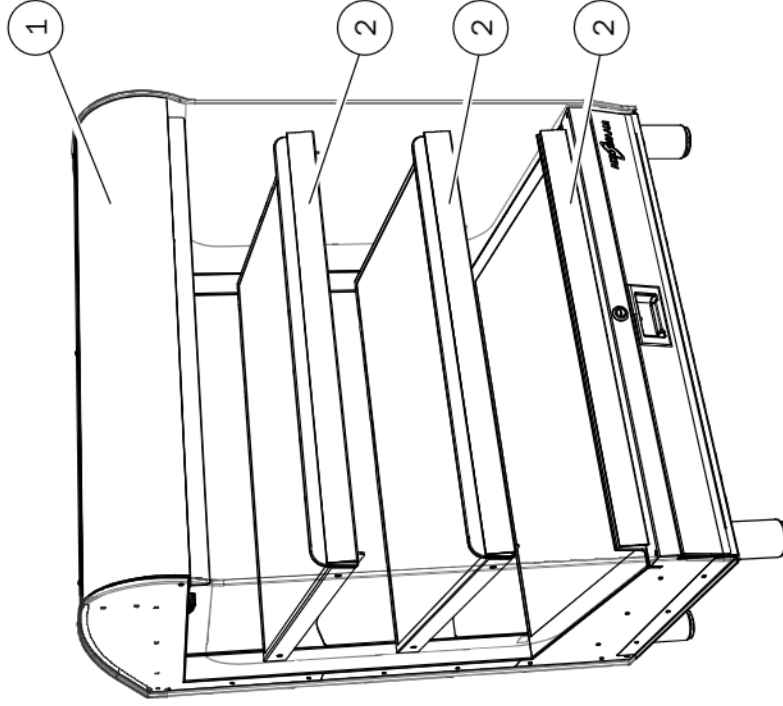
Entire stand assembly: 5026182R

ID	Part No.	Description
1	NU-37699	NUT, CAGE M12 X 1.75 THREAD
2	LG-29644	LEG, 4" ADJUSTABLE
3	NU-28537	NUT, HEX INSERT M8
4	NU-26866	NUT, HEX INSERT M4
5	MA-38245	MAGNET, NEO, NICKEL PLATED
6	SC-22765	SCREW, M4x0.7x20MM PAN
7	1030010	ADAPTER, TUBE





# Signage Panels



ID	Part No.	Description	For
1	PE-38808	SIGNAGE PANEL, POP DISPLAY (DELI FRESH / HOT & TASTY)	HSM-24
1	PE-38809	SIGNAGE PANEL, POP DISPLAY (DELI FRESH / HOT & TASTY)	HSM-36
1	PE-38810	SIGNAGE PANEL, POP DISPLAY (DELI FRESH / HOT & TASTY)	HSM-48
2	PE-38811	SIGNAGE PANEL, SHELF ROTISSERIE	HSM-24
2	PE-38812	SIGNAGE PANEL, SHELF SANDWICH	HSM-24
2	PE-38813	SIGNAGE PANEL, SHELF BBQ RIBS	HSM-24
2	PE-38814	SIGNAGE PANEL, SHELF HOT & TASTY	HSM-24
2	PE-38815	SIGNAGE PANEL, SHELF GRAB & GO	HSM-24
2	PE-38816	SIGNAGE PANEL, SHELF HOT & FRESH	HSM-24
2	PE-38817	SIGNAGE PANEL, SHELF ROTISSERIE	HSM-36
2	PE-38818	SIGNAGE PANEL, SHELF SANDWICH	HSM-36
2	PE-38819	SIGNAGE PANEL, SHELF BBQ RIBS	HSM-36
2	PE-38820	SIGNAGE PANEL, SHELF HOT & TASTY	HSM-36
2	PE-38821	SIGNAGE PANEL, SHELF GRAB & GO	HSM-36
2	PE-38822	SIGNAGE PANEL, SHELF HOT & FRESH	HSM-36
2	PE-38823	SIGNAGE PANEL, SHELF ROTISSERIE	HSM-48
2	PE-38824	SIGNAGE PANEL, SHELF SANDWICH	HSM-48
2	PE-38825	SIGNAGE PANEL, SHELF BBQ RIBS	HSM-48
2	PE-38826	SIGNAGE PANEL, SHELF HOT & TASTY	HSM-48
2	PE-38827	SIGNAGE PANEL, SHELF GRAB & GO	HSM-48
2	PE-38828	SIGNAGE PANEL, SHELF HOT & FRESH	HSM-48
2	PE-46434	SIGNAGE SHELVES, ALL BLACK	HSM-24
1	PE-46435	SIGNAGE TOP DISPLAY, ALL BLACK	HSM-24
2	PE-46436	SIGNAGE SHELVES, ALL BLACK	HSM-36
1	PE-46437	SIGNAGE TOP DISPLAY, ALL BLACK	HSM-36
2	PE-46438	SIGNAGE SHELVES, ALL BLACK	HSM-48
1	PE-46439	SIGNAGE TOP DISPLAY, ALL BLACK	HSM-48



# ALTO-SHAAM.

Menomonee Falls, WI U.S.A.

Phone 800-558-8744 | +1-262-251-3800 | [alto-shaam.com](http://alto-shaam.com)

## ASIA

Shanghai, China  
Phone +86-21-6173-0336

## AUSTRALIA

Brisbane, Queensland  
Phone 800-558-8744

## CANADA

Concord, Ontario Canada  
Toll Free Phone 866-577-4484  
Phone +1-905-660-6781

## FRANCE

Aix en Provence, France  
Phone +33(0)4-88-78-21-73

## GMBH

Bochum, Germany  
Phone +49 (0)234 298798-0

## ITALY

Padua, Italy  
Phone +39 3476073504

## INDIA

Pune, India  
Phone +91 9657516999

## MEXICO

Phone +52 1 477-717-3108

## MIDDLE EAST & AFRICA

Dubai, UAE  
Phone +971-4-321-9712

## CENTRAL & SOUTH AMERICA

Miami, FL USA  
Phone +1 954-655-5727

## RUSSIA

Moscow, Russia  
Phone +7 903 7932331