



Heated Shelf Merchandiser

Top Heat

- HSM-24 3S/T
- HSM-24 5S/T
- HSM-36 2S/T
- HSM-36 3S/T
- HSM-36 5S/T
- HSM-48 5S/T



Manufacturer's Information

Copyright

© Copyright 07/2022 by Alto-Shaam, Inc.
All rights reserved.
This manual or any portion thereof may not be reproduced or used in any manner whatsoever without the express written permission of Alto-Shaam, Inc

Trademarks

All trademarks referenced in this documentation are the property of their respective owners.

Manufacturer

Alto-Shaam, Inc.
P.O. Box 450
W164 N9221 Water Street
Menomonee Falls, WI 53052

Models Covered

| | |
|-------------|-------------------|
| HSM-24/3S/T | 3-Shelf, Top Heat |
| HSM-24/5S/T | 5-Shelf, Top Heat |
| HSM-36/2S/T | 2-Shelf, Top Heat |
| HSM-36/3S/T | 3-Shelf, Top Heat |
| HSM-36/5S/T | 5-Shelf, Top Heat |
| HSM-48/5S/T | 5-Shelf, Top Heat |

Serial Number

The unit serial number is required for ordering the correct service.
Record the unit serial number in the space provided below.

| |
|----------------------|
| Serial Number |
| |

Parts Ordering Information

Original manufacturer's replacement parts may be ordered directly from the Alto-Shaam network of Authorized Service Agents and Parts Distributors. Follow this link for a map to a local partner: <https://www.alto-shaam.com/en/how-to-buy>. If you are an Authorized Service Agent or Parts Distributor, please submit your purchase order to parts@alto-shaam.com.

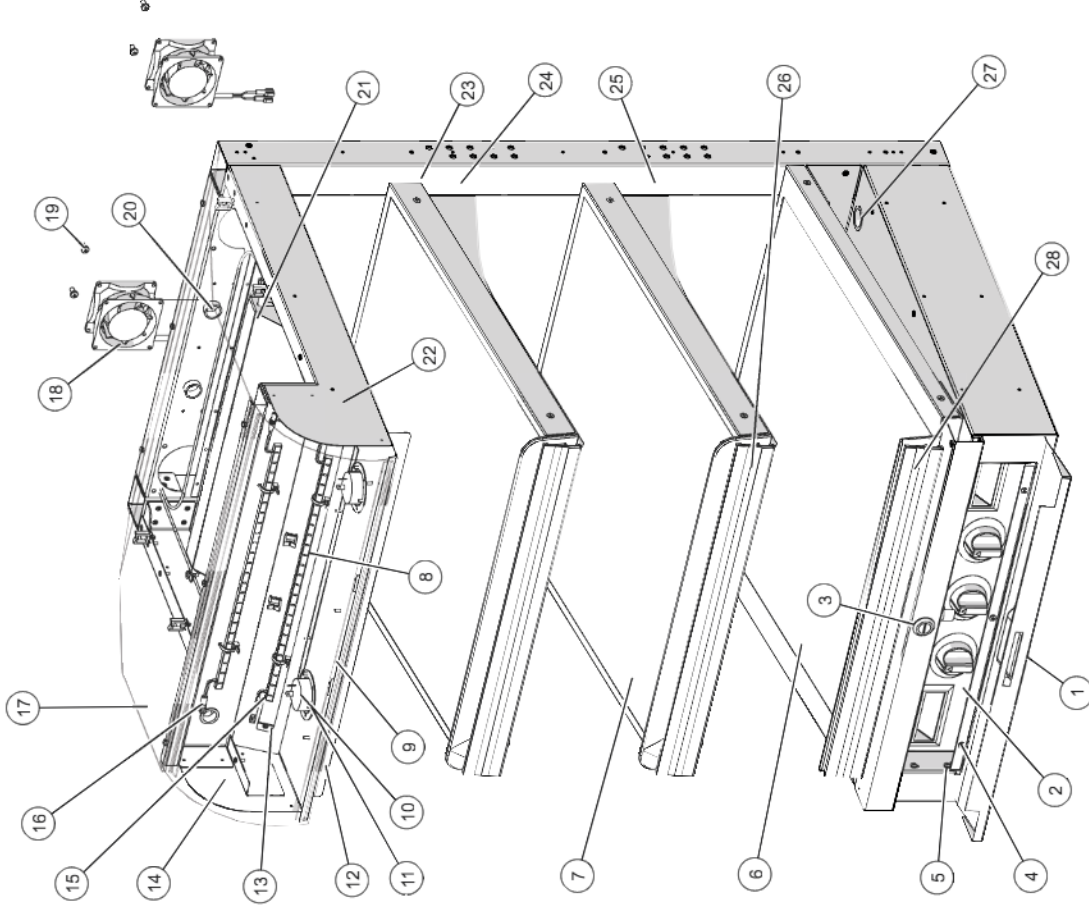
Non-OEM parts may be substituted; however, these parts must be of equal quality and specifications as those provided by Alto-Shaam.

Table of Contents

| | | | | | |
|----------------------------------------|----|-----------------------------------------------------------|----|-------------------------------------|----|
| Manufacturer's Information | 2 | Side Glass Assembly (All 5S models) | 37 | DIN Rail and Terminals, HSM-36/CT | 64 |
| Table of Contents | 3 | Skirt Assembly, Floor Model, HSM-24/3S/T | 38 | Control Assembly, HSM-24/3S/T | 65 |
| Core Package, HSM-24/3S/T (120V) | 4 | Skirt Assembly, Floor Model, HSM-36/5S/T | 39 | Control Assembly, HSM-36/2S/T | 66 |
| Core Package, HSM-24/3S/T (208-240V) | 5 | Skirt Assembly, Floor Model, HSM-48/5S/T | 40 | Control Assembly, HSM-36/3S/T | 67 |
| Core Package, HSM-24/5S/T (208-240V) | 6 | Skirt Assembly, HSM-24/3S (for Display Base) | 41 | Control Assembly, HSM-24/5S/T | 68 |
| LED Assembly, HSM-24 | 7 | Skirt Assembly, HSM-36/3S (for Display Base) | 42 | Control Assembly, HSM-36/5S/T | 69 |
| Core Package, HSM-36/2S/T (120V) | 8 | Base Shelf Assembly, HSM-24 | 43 | Control Assembly, HSM-48/5S/T | 70 |
| Core Package, HSM-36/2S/T (208-240V) | 9 | Base Shelf Assembly, HSM-36 (120V) | 44 | Cordsets | 71 |
| Core Package, HSM-36/3S/T | 10 | Base Shelf Assembly, HSM-36 (208-240V) | 45 | Leg Pkg, HSM-24/CT or HSM-36/CT | 72 |
| Core Package, HSM-36/5S/T | 11 | Base Shelf Assembly, HSM-48 | 46 | Leg Package, Floor Models Only | 73 |
| LED Assembly, HSM-36 | 12 | Heated Shelf Assembly, HSM-24 | 47 | Casters, Floor Models Only | 74 |
| Core Package, HSM-48/5S/T | 13 | Heated Shelf Assembly, HSM-36 (120V) | 48 | Display Base w/Casters, HSM-24/3S/T | 75 |
| LED Assembly, HSM-48 | 14 | Heated Shelf Assembly, HSM-36 (208-240V) | 49 | Display Base w/Casters, HSM-36/3S/T | 76 |
| Control Panel Cover Assemblies | 15 | Heated Shelf Assembly, HSM-48 | 50 | Display Base with Legs, HSM-24/3S/T | 77 |
| Front Door, HSM-24/CT | 16 | Electronic Components Package, High Wattage, 208/240V 1PH | 51 | Display Base with Legs, HSM-36/3S/T | 78 |
| Front Door, HSM-36/CT | 17 | DIN Rail and Terminals, High Wattage, 208/240V 1PH | 52 | Signage Panels | 79 |
| Front Door, HSM-24/5S/T | 18 | Electronic Components Package, HSM-24/3S/T (120V) | 53 | | |
| Front Door, HSM-36/5S/T | 19 | DIN Rail and Terminals, HSM-24/3S/T (120V) | 54 | | |
| Rear Swinging Door, HSM-24/CT | 20 | Electronic Components Package, HSM-24 | 55 | | |
| Rear Swinging Doors, HSM-36/3S/T | 21 | (208-240V) | 56 | | |
| Rear Swinging Doors, HSM-36/5S/T | 22 | DIN Rail and Terminals, HSM-24 (208-240V) | 57 | | |
| Rear Sliding Doors, HSM-36/CT | 23 | Electronic Components Package, HSM-24/3S/T (208-240V 1PH) | 58 | | |
| Rear Sliding Doors, HSM-36/5S | 24 | DIN Rail and Terminals, HSM-24/3S/T (208-240V 1PH) | 59 | | |
| Reach-In Package, HSM-24/CT | 25 | Electronic Components Package, HSM-36/2S (120V 1PH) | 60 | | |
| Reach-In Package, HSM-24/5S/T | 26 | DIN Rail and Terminals, HSM-36/2S (120V 1PH) | 61 | | |
| Reach-In Package, HSM-36/2S/T | 27 | Electronic Components Package, HSM-36/3S (208-240V 1PH) | 62 | | |
| Reach-In Package, HSM-36/3S/T | 28 | DIN Rail and Terminals, HSM-36/3S | 63 | | |
| Reach-In Package, HSM-36/5S/T | 29 | (208-240V 1PH) | | | |
| Reach-In Package, HSM-48/5S/T | 30 | Electronic Components Package, HSM-36/CT | | | |
| Pass-Through Package, HSM-24/CT | 31 | Electronic Components Package, HSM-36/5S | | | |
| Pass-Through Package, HSM-24/5S | 32 | DIN Rail and Terminals, HSM-36/3S | | | |
| Pass-Through Package, HSM-36/CT | 33 | (208-240V 1PH) | | | |
| Pass-Through Package, HSM-36/5S | 34 | DIN Rail and Terminals, HSM-36/3S | | | |
| Side Glass Assembly, HSM-36/2S/T | 35 | (208-240V 1PH) | | | |
| Side Glass, HSM-24/3S/T or HSM-36/3S/T | 36 | Electronic Components Package, HSM-36/CT | | | |

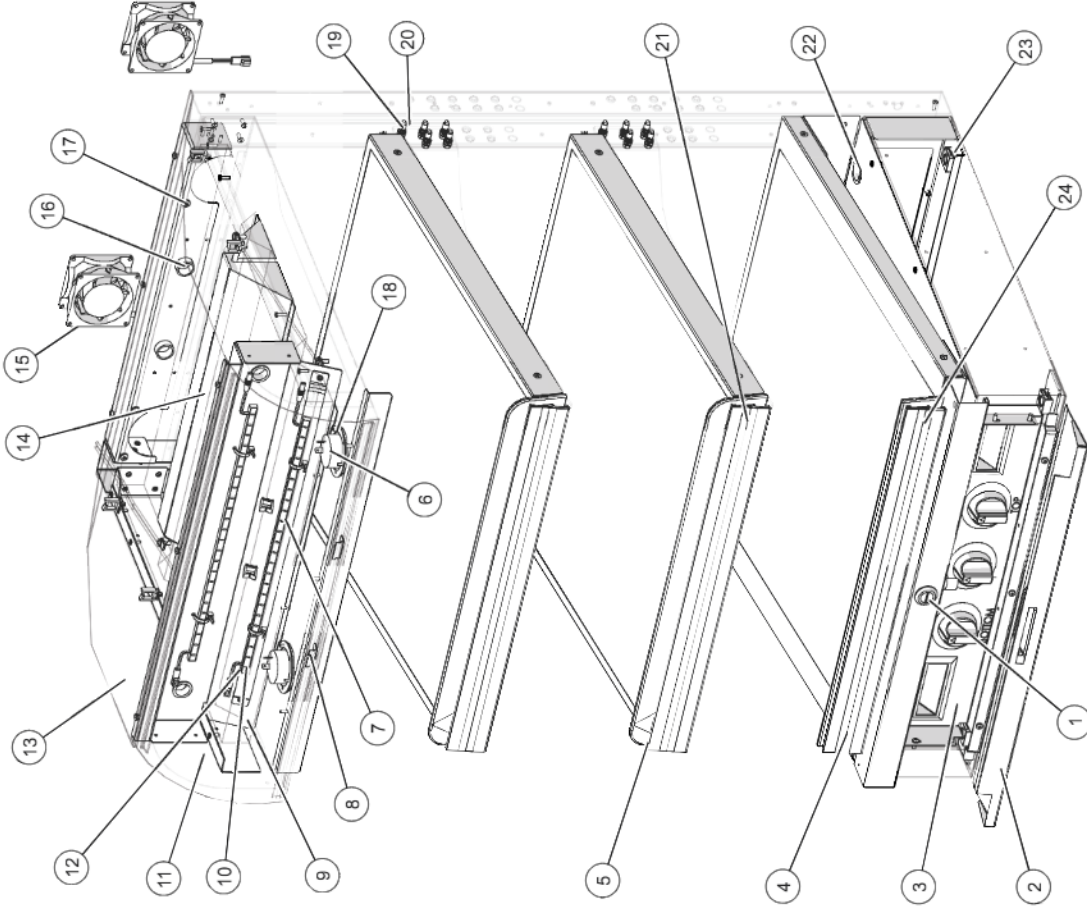
CORE PACKAGE, HSM-24/3S/T (120V)

Core Package, HSM-24/3S/T (120V)



| ID | Part No. | Description |
|----|----------|----------------------------------|
| 1 | 5022537R | COVER PANEL ASSY, HSM-24/CT |
| 2 | 5032996 | CONTROL COMPONENTS ASSY |
| 3 | LT-38488 | LATCH, QUARTER TURN, SLOTTED, SS |
| 4 | SC-22271 | SCREW, M4x0.7X6MM PAN |
| 5 | SC-22273 | SCREW, M4x0.7X10MM PAN |
| 6 | 5032621 | SHELF BASE ASSEMBLY, TOP HEAT |
| 7 | 5032620 | SHELF, HEATED, C-STORE, ASSEMBLY |
| 8 | 5032627 | ELEMENT, CALROD, 185W 120V |
| 9 | 1033273 | TAB, PLASTIC GUARD CONSTRAINT |
| 10 | LP-37100 | LAMP, LED, 12V |
| 11 | SC-23102 | SCREW, M3x0.5X10MM FLAT |
| 12 | 1017196 | PANEL, LIGHT/DOOR STRIP |
| 13 | 1035855 | REFLECTOR, SM, BONNET, TOP HEAT |
| 14 | 5020236 | GUARD, CLEAR EXTRUSION, 24W |
| 15 | SW-36714 | SWITCH, ROCKER, 20A@120V, |
| 16 | 5032625 | LED, MOUNT, ASSEMBLY, TOP HEAT |
| 17 | 1033849 | PANEL, COVER, TOP |
| 18 | 5020761 | 3" BOX FAN, CONNECTORS, 120V |
| 19 | SC-22766 | SCREW, M5x0.8X10MM PAN |
| 20 | BU-3007 | 7/8" SNAP BUSHING, BLACK |
| 21 | 1035845 | REFLECTOR, BONNET, TOP HEAT |
| 22 | SC-2070 | SCREW, 10-32 X 1/2" PAN |
| 23 | SC-38830 | SCREW, M5x0.8X20MM HEX |
| 24 | WS-39333 | WASHER, CONICAL, SPRING LOCK, |
| 25 | WS-22295 | WASHER, FLAT M5 S/S |
| 26 | GD-38897 | GUARD, SHELF, CLEAR |
| 27 | BU-3378 | 1 1/8" SNAP BUSHING |
| 28 | 5022839R | GUARD ASSY, LOWER SHELF, CLEAR |

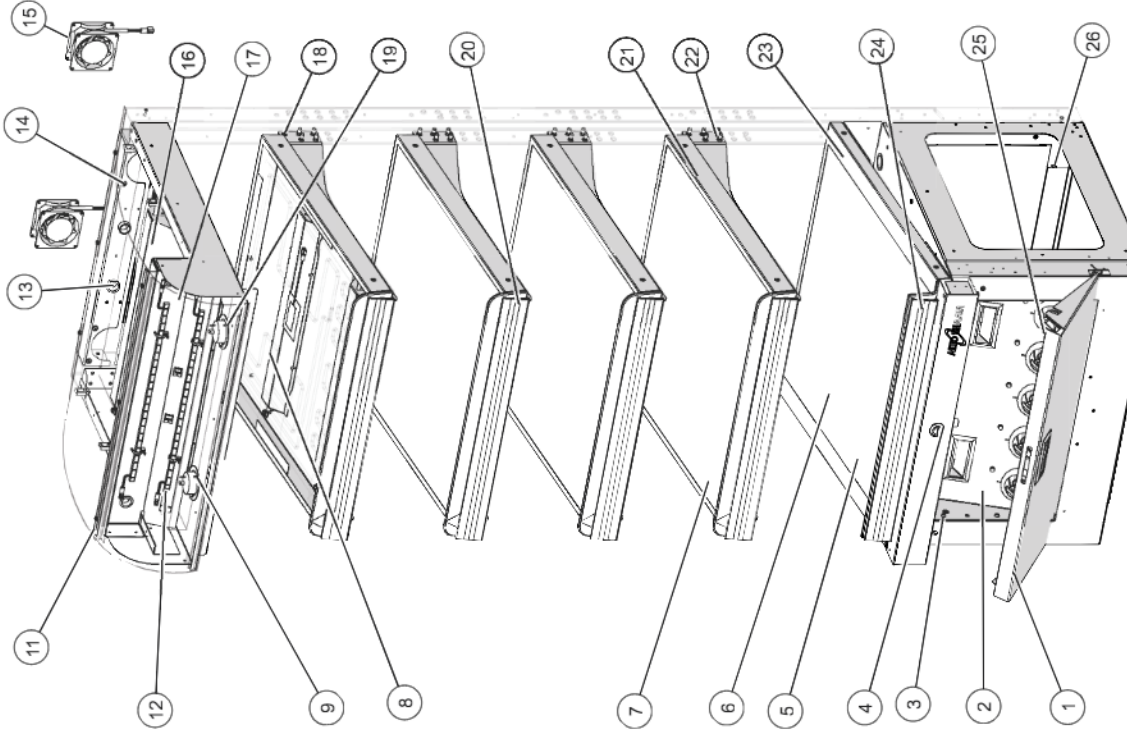
Core Package, HSM-24/3S/T (208-240V)



| ID | Part No. | Description |
|----|----------|------------------------------------|
| 1 | LT-38488 | LATCH, QUARTERTURN, SLOTTED,SS |
| 2 | 5022537R | COVER PANEL ASSY, HSM-24/CT |
| 3 | 5032996 | CONTROL COMPONENTS ASSY |
| 4 | 5032621 | SHELF,BASE,ASSEMBLY,TOP HEAT |
| 5 | 5033792 | SHELF,HEATED,C-STORE,ASSEMBLY |
| 6 | LP-37100 | LAMP, LED, 12W |
| 7 | 1035855 | REFLECTOR, SM, BONNET,TOP HEAT |
| 8 | 1033273 | TAB, PLASTIC GUARD CONSTRAINT |
| 9 | 5032625 | LED, MOUNT, ASSEMBLY, TOP HEAT |
| 10 | SC-2070 | SCREW, 10-32 X 1/2" PAN |
| 11 | 5030236 | GUARD, CLEAR EXTRUSION, 24W |
| 12 | SW-36714 | SWITCH,ROCKER,20A@120V, |
| 13 | 1033849 | PANEL, COVER, TOP |
| 14 | 5032627 | ELEMENT, CALROD, 185W 120V |
| 15 | 5020770 | 3" BOX FAN, CONNECTORS, 240V |
| 16 | BU-3007 | 7/8" SNAP BUSHING, BLACK |
| 17 | SC-22766 | SCREW,M5x0.8X10MM PAN |
| 18 | SC-23102 | SCREW,M3x0.5X10MM FLAT |
| 19 | NU-37268 | NUT, HEX INSERT M5 |
| 20 | SC-38830 | SCREW,M5x0.8X20MM HEX |
| 21 | GD-38897 | GUARD, SHELF, CLEAR |
| 22 | BU-3378 | 1 1/8" SNAP BUSHING |
| 23 | NU-37699 | NUT, CAGE M12 X 1.75 THREAD |
| 24 | 5022839R | GUARD ASSEMBLY, LOWER SHELF, CLEAR |

CORE PACKAGE, HSM-24/5S/T (208-240V)

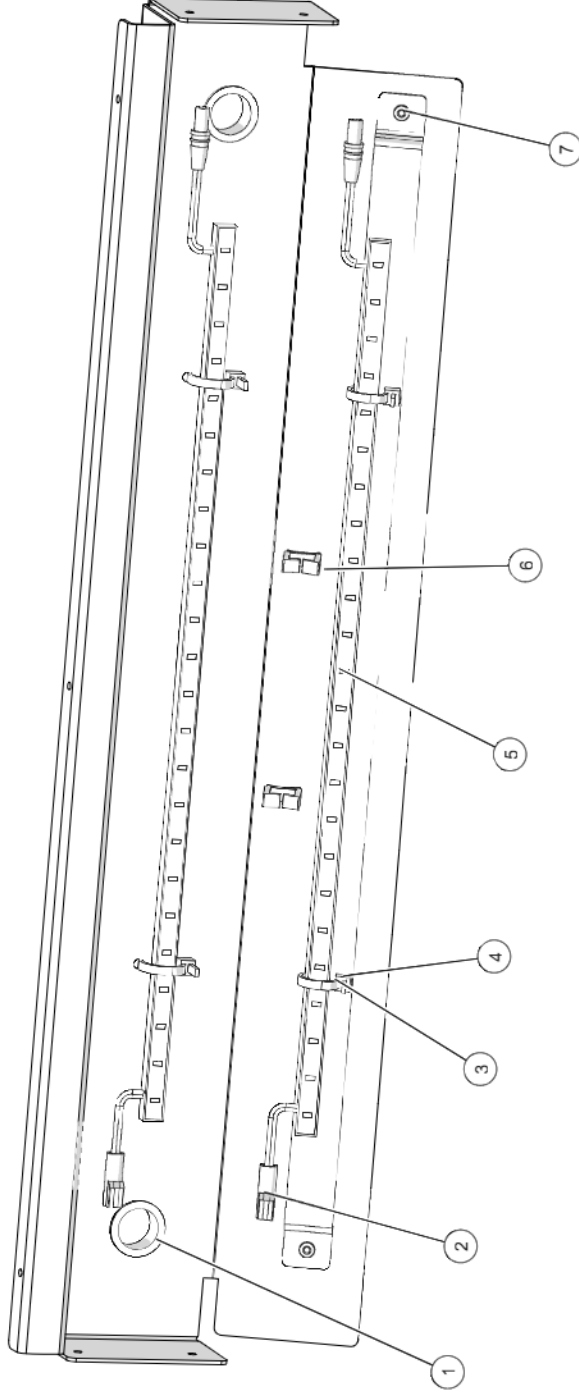
Core Package, HSM-24/5S/T (208-240V)



| ID | Part No. | Description |
|----|----------|---------------------------------|
| 1 | 5021878R | CONTROL PANEL COVER ASSY |
| 2 | 5032718 | 5 CONTROL ASSY, HSM-24/5S |
| 3 | SC-37701 | SCREW, M4 X 8MM SEMS |
| 4 | LT-38488 | LATCH, QUARTERTURN, SLOTTED,SS |
| 5 | 5032621 | SHELF,BASE,ASSEMBLY,TOP HEAT |
| 6 | BU-3378 | 1 1/8" SNAP BUSHING |
| 7 | 5032620 | SHELF,HEATED,C-STORE,ASSEMBLY |
| 8 | WS-39333 | WASHER,CONICAL, SPRING LOCK, |
| 9 | SC-23102 | SCREW,M3x0.5X10MM FLAT |
| 11 | 5030236 | GUARD KIT, CLEAR EXTRUSION, 24W |
| 12 | SW-36714 | SWITCH,ROCKER,20A@120V, |
| 13 | BU-3007 | 7/8" SNAP BUSHING, BLACK |
| 14 | SC-22766 | SCREW,M5x0.8X10MM PAN |
| 15 | 5020770R | 3" BOX FAN, CONNECTORS, 240V |
| 16 | 5032627 | ELEMENT, CALROD, 250W 240V |
| 17 | 5032625 | LED, MOUNT, ASSEMBLY, TOP HEAT |
| 18 | SC-38830 | SCREW,M5x0.8X20MM HEX |
| 19 | LP-37100 | LAMP, LED, 12V |
| 20 | GD-38897 | GUARD, SHELF, CLEAR |
| 21 | SC-22273 | SCREW,M4x0.7X10MM PAN |
| 22 | WS-22295 | WASHER, FLAT M5 S/S |
| 23 | BU-3419 | 3/8" BLACK HOLE BUSHING |
| 24 | 5022839R | GUARD ASSY, LOWER SHELF, CLEAR |
| 25 | BU-3013 | BUSHING,SNAP,1 1/2" |
| 26 | NU-36319 | NUT, M4, KEPS, ZINC PLATED |

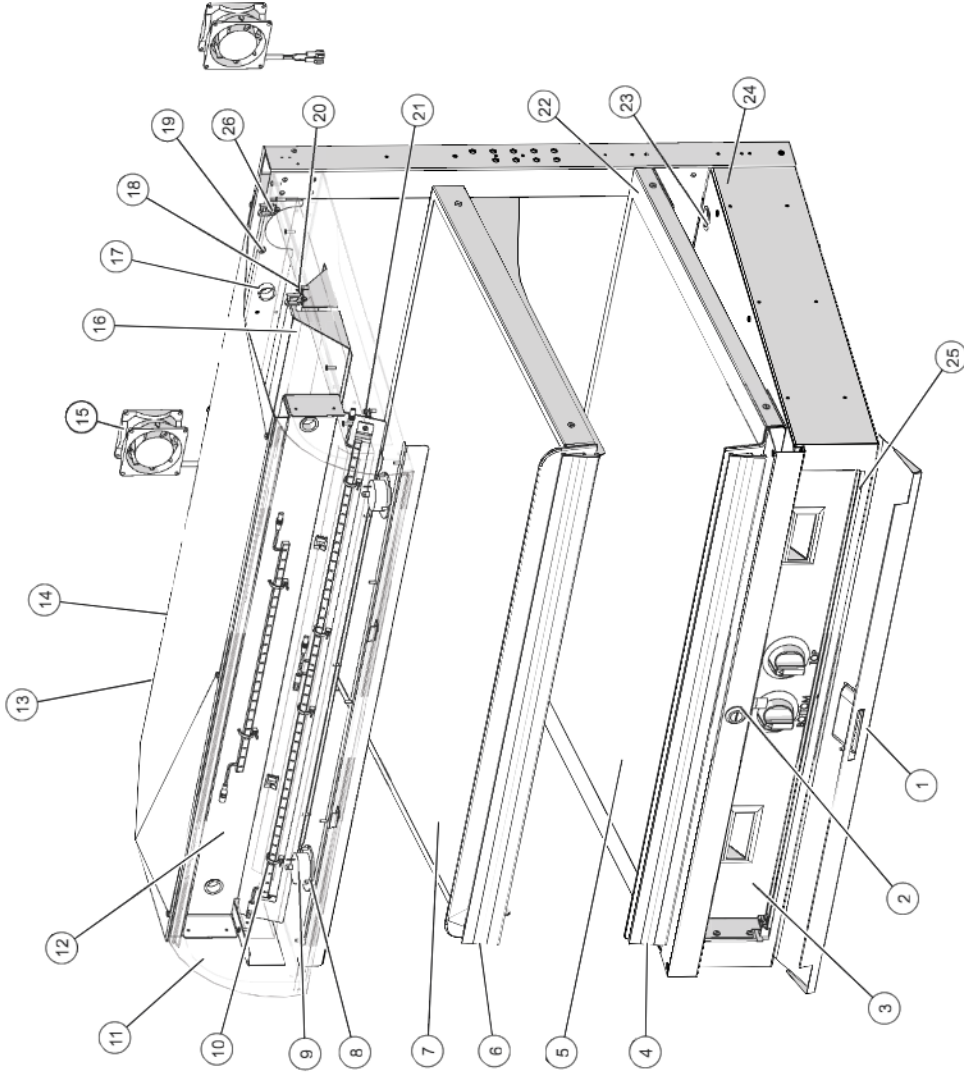
LED Assembly, HSM-24

| ID | Part No. | Description |
|----|----------|---------------------------------------|
| 1 | BU-3007 | 7/8" SNAP BUSHING, BLACK |
| 2 | CR-33509 | CONNECTOR, QUICK DISCONNECT |
| 3 | TI-3808 | TIE, WIRE .8", 140MM, NATURAL |
| 4 | 1035846 | BRACKET, LIGHT BAR STANDOFF |
| 5 | 5023555 | LIGHT, LED BAR, 2700K WARM WHITE, 16" |
| 6 | TI-35719 | PUSH IN WIRE RETAINER |
| 7 | RI-27108 | RIVET, SEALED |



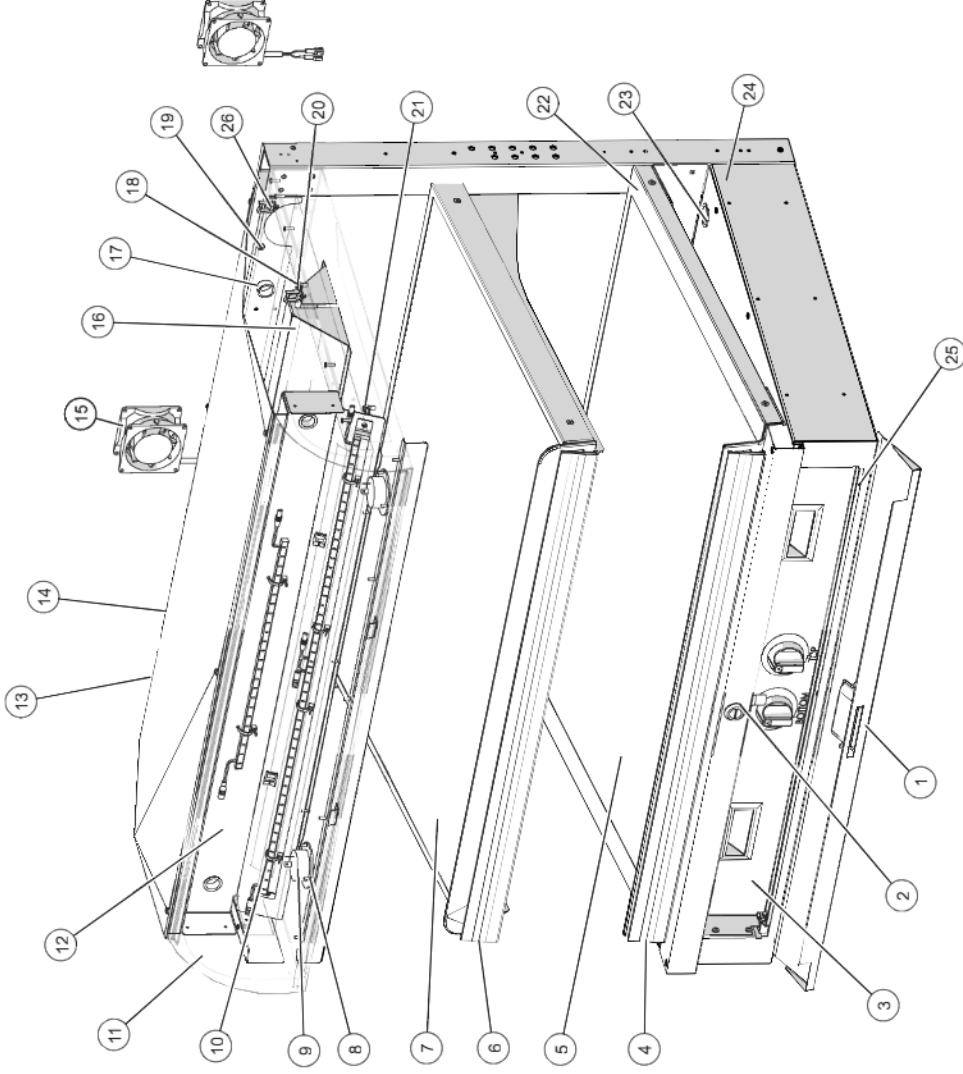
CORE PACKAGE, HSM-36/2S/T (120V)

Core Package, HSM-36/2S/T (120V)



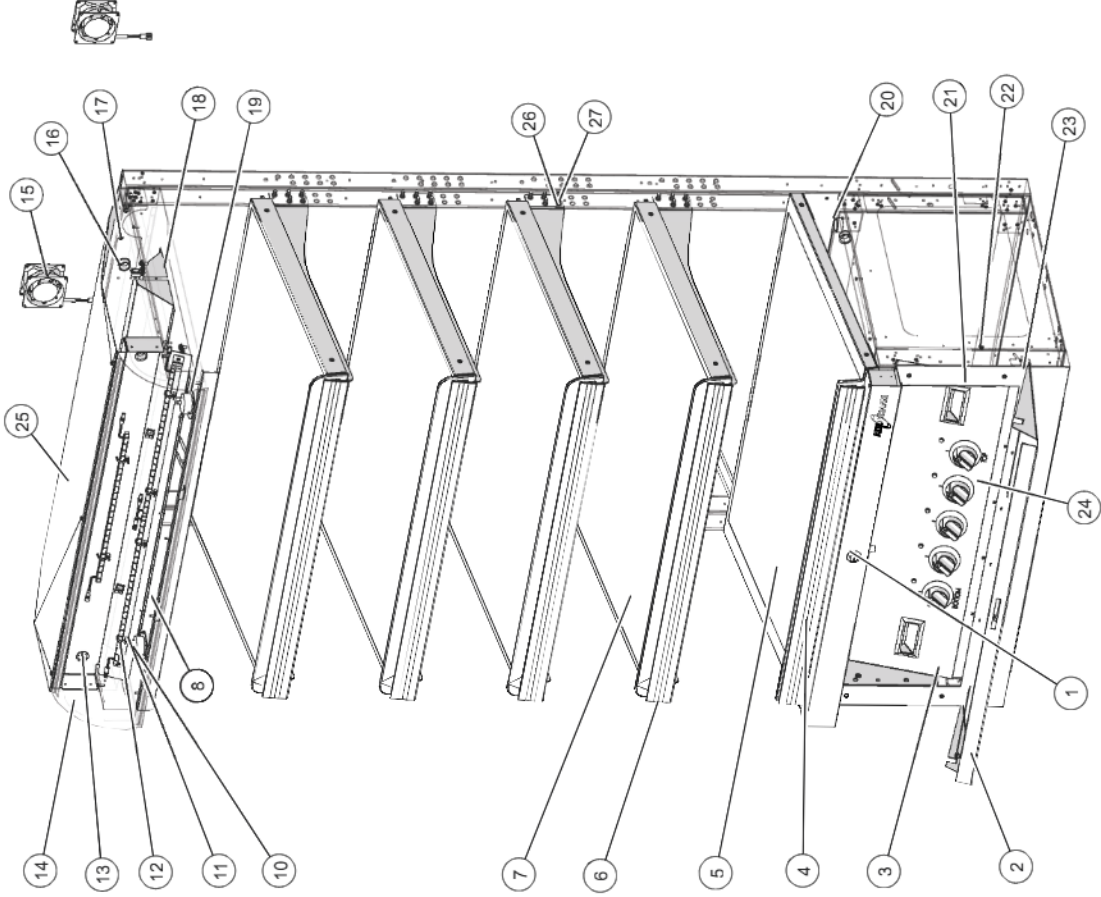
| ID | Part No. | Description |
|----|----------|---------------------------------|
| 1 | 5022479 | COVER PANEL ASSY, HSM-36/CT |
| 2 | LT-38488 | LATCH, QUARTERTURN, SLOTTED,SS |
| 3 | 5033873 | CONTROL COMP ASSY, HSM-36 |
| 4 | 5022749R | KIT, LOWER GUARD, LEXAN |
| 5 | 5034340 | SHELF,BASE,120V/208V, TOP HEAT |
| 6 | GD-38571 | GUARD, SHELF, CLEAR |
| 7 | 5034338 | SHELF,HEATED,120V, TOP HEAT |
| 8 | SC-23102 | SCREW,M3x0.5X10MM FLAT |
| 9 | LP-37100 | LAMP, LED, 12V |
| 10 | SW-36714 | SWITCH,ROCKER,20A@120V, |
| 11 | GD-46876 | GUARD, CLEAR EXTRUSION, 36W |
| 12 | 5031898 | LED, MOUNT, ASSEMBLY, TOP HEAT |
| 13 | 5030237 | KIT, FIELD INSTALL, TOP PANEL |
| 14 | SC-22273 | SCREW,M4x0.7X10MM PAN |
| 15 | 5020761 | 3" BOX FAN, CONNECTORS, 120V |
| 16 | 1035045 | REFLECTOR, BONNET, TOP HEAT |
| 17 | BU-3007 | 7/8" SNAP BUSHING, BLACK |
| 18 | EL-47748 | ELEMENT, CALROD, 245W 120V |
| 19 | SC-22766 | SCREW,M5x0.8X10MM PAN |
| 20 | SC-26791 | SCREW, 10-32 X 1/4" PAN |
| 21 | 1034658 | REFLECTOR, SM, BONNET, TOP HEAT |
| 22 | TI-35719 | TIE, TWIST LOCK 0.5" STANDOFF |
| 23 | BU-3378 | 1 1/8" SNAP BUSHING |
| 24 | SC-37702 | SCREW, M4 X 12MM SEMS |
| 25 | SC-22271 | SCREW,M4 X 6MM PH PAN HD M/S .7 |
| 26 | CL-38422 | RETAINER, WIRE, SQUARE, PUSH IN |

Core Package, HSM-36/2S/T (208-240V)



| ID | Part No. | Description |
|----|----------|---------------------------------|
| 1 | 5022479 | COVER PANEL ASSY, HSM-36/CT |
| 2 | LT-38488 | LATCH, QUARTERTURN, SLOTTED,SS |
| 3 | 5033873 | CONTROL COMP ASSY, HSM-36 |
| 4 | 5022749R | KIT, LOWER GUARD, LEXAN |
| 5 | 5034340 | SHELF,BASE,120V/208V,TOP HEAT |
| 6 | GD-38571 | GUARD, SHELF, CLEAR |
| 7 | 5034338 | SHELF,HEATED,120V,TOP HEAT |
| 8 | SC-23102 | SCREW,M3x0.5X10MM FLAT |
| 9 | LP-37100 | LAMP, LED, 12V |
| 10 | SW-36714 | SWITCH,ROCKER,20A@120V, |
| 11 | GD-46876 | GUARD, CLEAR EXTRUSION, 36W |
| 12 | 5031898 | LED, MOUNT, ASSEMBLY, TOP HEAT |
| 13 | 5030237 | KIT, FIELD INSTALL, TOP PANEL |
| 14 | SC-22273 | SCREW,M4x0.7X10MM PAN |
| 15 | 5020761 | 3" BOX FAN, CONNECTORS, 120V |
| 16 | 1035045 | REFLECTOR, BONNET, TOP HEAT |
| 17 | BU-3007 | 7/8" SNAP BUSHING, BLACK |
| 18 | EL-47748 | ELEMENT, CALROD, 245W 120V |
| 19 | SC-22766 | SCREW,M5x0.8X10MM PAN |
| 20 | SC-26791 | SCREW, 10-32 X 1/4" PAN |
| 21 | 1034658 | REFLECTOR, SM, BONNET, TOP HEAT |
| 22 | TI-35719 | TIE, TWIST LOCK 0.5" STANDOFF |
| 23 | BU-3378 | 1 1/8" SNAP BUSHING |
| 24 | SC-37702 | SCREW, M4 X 12MM SEMS |
| 25 | SC-22271 | SCREW,M4 X 6MM PH PAN HD M/S .7 |
| 26 | CL-38422 | RETAINER,WIRE,SQUARE,PUSH IN |

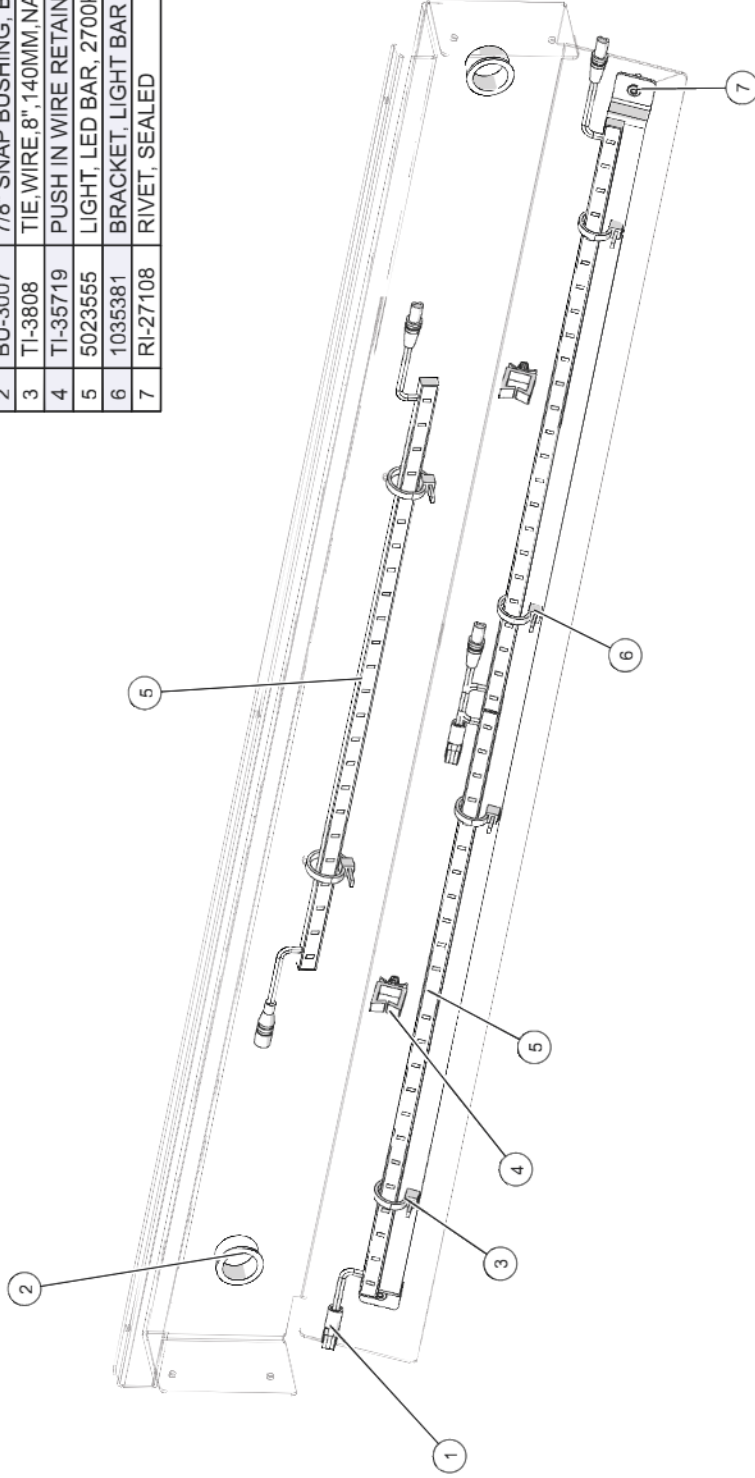
Core Package, HSM-36/5S/T



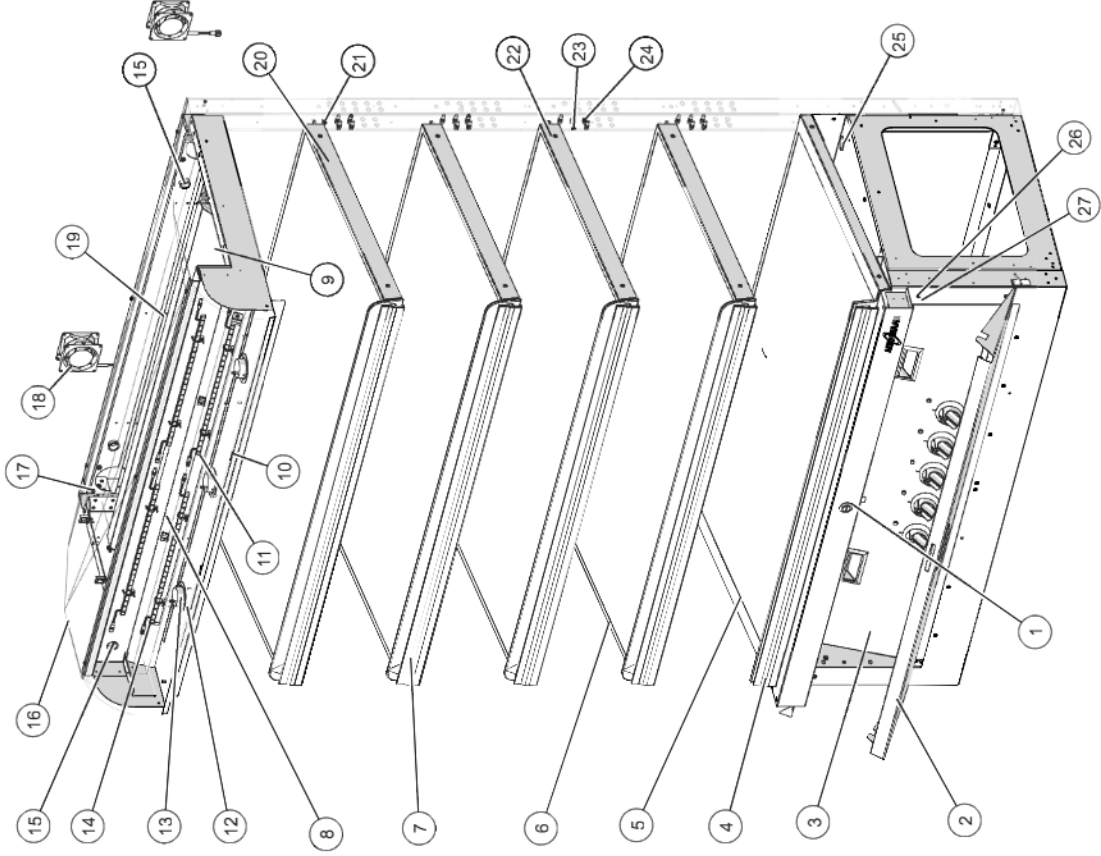
| ID | Part No. | Description |
|----|----------|----------------------------------------|
| 1 | LT-38488 | LATCH, QUARTERTURN, SLOTTED,SS |
| 2 | 5022274R | CONTROL PANEL COVER ASSY |
| 3 | 5032720 | 5 CONTROL ASSEMBLY |
| 4 | 5022749R | GUARD KIT, LEXAN, LOWER, HSM-36 |
| 5 | 5032611R | SHELF,BASE,ASSEMBLY,TOP HEAT |
| 6 | GD-38571 | GUARD, SHELF, CLEAR |
| 7 | 5031816 | SHELF,HEATED,C-STORE,ASSEMBLY |
| 8 | 1034658 | REFLECTOR, SM, BONNET,TOP HEAT |
| 10 | LP-37100 | LAMP, LED, 12V |
| 11 | 5032605 | ELEMENT, CALROD, 250W 240V |
| 12 | SW-36714 | SWITCH,ROCKER,20A@120V, |
| 13 | 5031898 | LED, MOUNT, ASSEMBLY, TOP HEAT |
| 14 | GD-46876 | GUARD, CLEAR EXTRUSION, 36W |
| 15 | 5020770R | 3" BOX FAN, CONNECTORS, 240V |
| 16 | BU-3007 | 7/8" SNAP BUSHING, BLACK |
| 17 | SC-22766 | SCREW,M5x0.8X10MM PAN |
| 18 | 1035045 | REFLECTOR, BONNET, TOP HEAT |
| 19 | SC-23102 | SCREW,M3x0.5X10MM FLAT |
| 20 | BU-3378 | 1 1/8" SNAP BUSHING |
| 21 | SC-37701 | SCREW, M4 X 8MM SEMS |
| 22 | SC-22273 | SCREW,M4x0.7X10MM PAN |
| 23 | SC-22766 | SCREW, PAN HEAD PHILLIPS |
| 24 | BU-3013 | BUSHING,SNAP,1 1/2" |
| 25 | 5030237 | KIT, FIELD INSTALL, TOP PANEL |
| 26 | WS-39333 | WASHER,CONICAL, SPRING LOCK, |
| 27 | WS-22295 | WASHER, FLAT M5 S/S |
| 28 | 5032639 | WIRE ASSY, 208-240V COMMON (not shown) |

LED Assembly, HSM-36

| ID | Part No. | Description |
|----|----------|---------------------------------------|
| 1 | CR-33509 | CONNECTOR, QUICK DISCONNECT |
| 2 | BU-3007 | 7/8" SNAP BUSHING, BLACK |
| 3 | TI-3808 | TIE WIRE, 8", 140MM, NATURAL |
| 4 | TI-35719 | PUSH IN WIRE RETAINER |
| 5 | 5023555 | LIGHT, LED BAR, 2700K WARM WHITE, 16" |
| 6 | 1035381 | BRACKET, LIGHT BAR STANDOFF |
| 7 | RI-27108 | RIVET, SEALED |



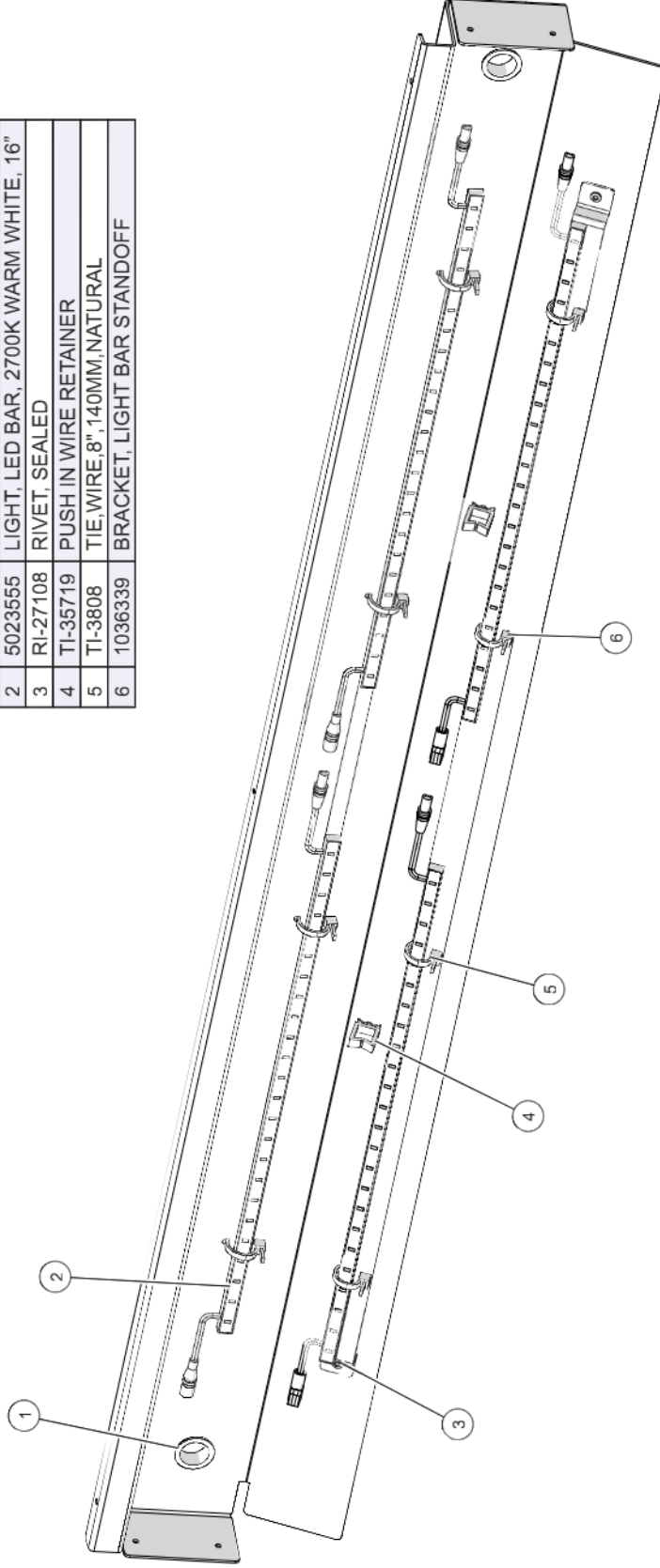
Core Package, HSM-48/5S/T



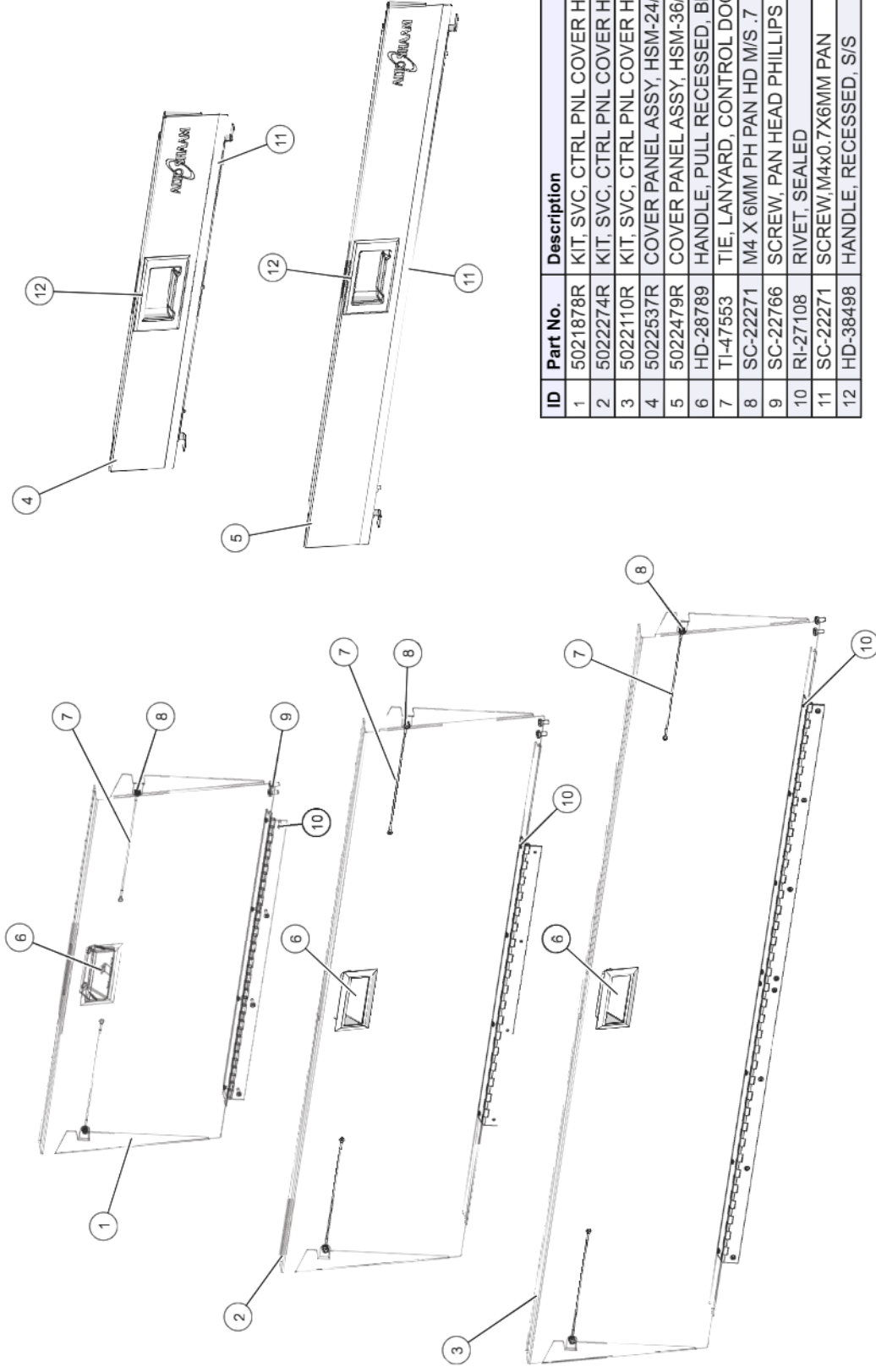
| ID | Part No. | Description |
|----|----------|--------------------------------------|
| 1 | LT-38488 | LATCH, QUARTERTURN, SLOTTED,SS |
| 2 | 5022110R | CONTROL PANEL COVER ASSY |
| 3 | 5032998R | 5 CONTROL COMP ASSY, HSM-48/5S |
| 4 | 5032611 | SVC KIT, GUARD, LEXAN, LOWER, HSM-48 |
| 5 | 5033001 | SHELF,BASE,ASSEMBLY,TOP HEAT |
| 6 | 5032971 | SHELF,HEATED,C-STORE,ASSEMBLY |
| 7 | GD-38898 | GUARD, SHELF, CLEAR |
| 8 | 5032998R | LED, MOUNT, ASSEMBLY, TOP HEAT |
| 9 | 1036340 | REFLECTOR, BONNET, TOP HEAT |
| 10 | 1033273 | TAB, PLASTIC GUARD CONSTRAINT |
| 11 | 1036280 | REFLECTOR, SM, BONNET,TOP HEAT |
| 12 | LP-37100 | LAMP, LED, 12V |
| 13 | SC-23102 | SCREW,M3x0.5X10MM FLAT |
| 14 | SW-36714 | SWITCH,ROCKER,20A@120V, |
| 15 | BU-3007 | 7/8" SNAP BUSHING, BLACK |
| 16 | 5030370 | PANEL, COVER, TOP |
| 17 | SC-22766 | SCREW, PAN HEAD PHILLIPS |
| 18 | 5020770 | 3" BOX FAN, CONNECTORS, 240V |
| 19 | 5034044 | KIT, CALROD ELEMENT, 333W 240V |
| 20 | SC-37702 | SCREW, M4 X 12MM SEMS |
| 21 | WS-22295 | WASHER, FLAT M5 S/S |
| 22 | BU-3419 | 3/8" BLACK HOLE BUSHING |
| 23 | WS-39333 | WASHER,CONICAL, SPRING LOCK, |
| 24 | SC-38830 | SCREW,M5x0.8X20MM HEX |
| 25 | BU-3378 | 1 1/8" SNAP BUSHING |
| 26 | SC-2227 | SCREW,M4x0.7X |
| 27 | SC-37701 | SCREW, M4 X 8MM SEMS |

LED Assembly, HSM-48

| ID | Part No. | Description |
|----|----------|---------------------------------------|
| 1 | BU-3007 | 7/8" SNAP BUSHING, BLACK |
| 2 | 5023555 | LIGHT, LED BAR, 2700K WARM WHITE, 16" |
| 3 | RI-27108 | RIVET, SEALED |
| 4 | TI-35719 | PUSH IN WIRE RETAINER |
| 5 | TI-3808 | TIE WIRE, 8", 140MM, NATURAL |
| 6 | 1036339 | BRACKET, LIGHT BAR STANDOFF |

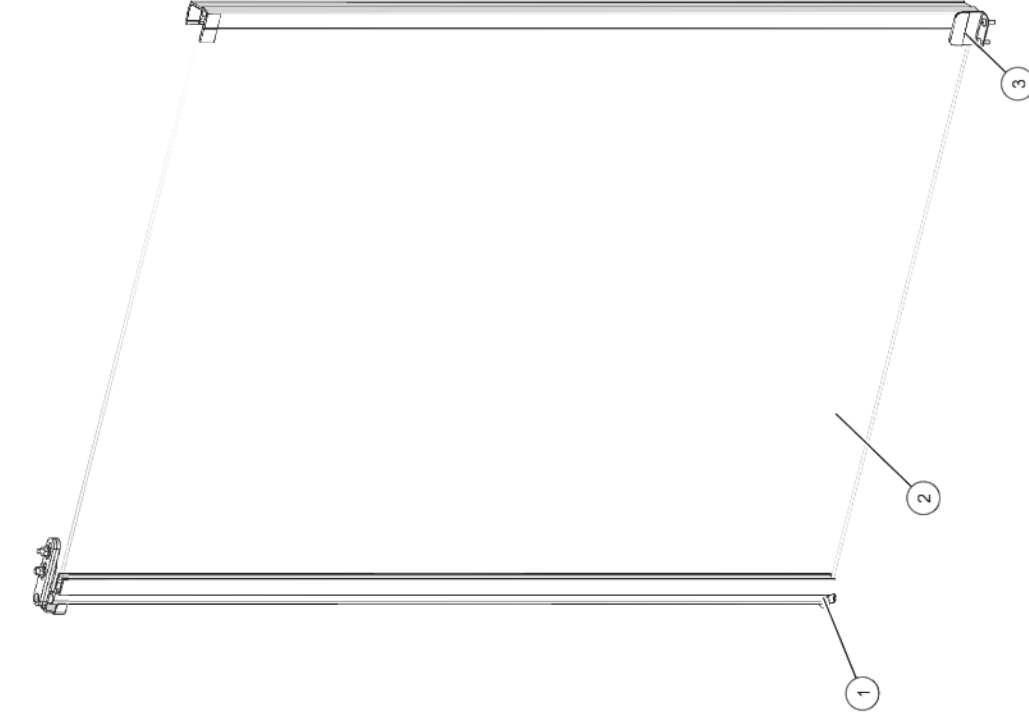


Control Panel Cover Assemblies

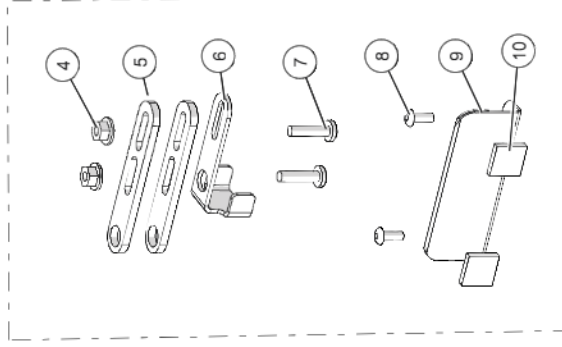


| ID | Part No. | Description |
|----|----------|---------------------------------|
| 1 | 5021878R | KIT, SVC, CTRL PNL COVER HSM-24 |
| 2 | 5022274R | KIT, SVC, CTRL PNL COVER HSM-36 |
| 3 | 5022110R | KIT, SVC, CTRL PNL COVER HSM-48 |
| 4 | 5022537R | COVER PANEL ASSY, HSM-24/CT |
| 5 | 5022479R | COVER PANEL ASSY, HSM-36/CT |
| 6 | HD-28789 | HANDLE, PULL RECESSED, BLACK |
| 7 | TI-47553 | TIE, LANYARD, CONTROL DOOR |
| 8 | SC-22271 | M4 X 6MM PH PAN HD M/S .7 |
| 9 | SC-22766 | SCREW, PAN HEAD PHILLIPS |
| 10 | RI-27108 | RIVET, SEALED |
| 11 | SC-22271 | SCREW,M4x0.7X6MM PAN |
| 12 | HD-38498 | HANDLE, RECESSED, S/S |

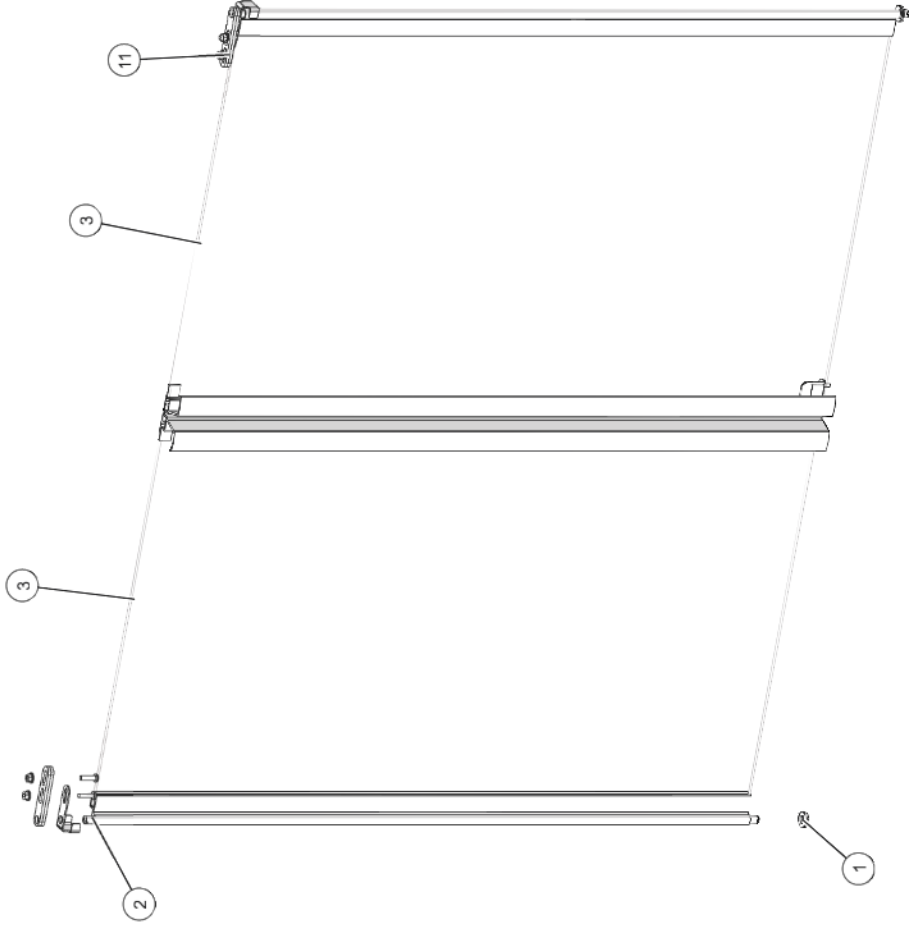
Front Door, HSM-24/CT



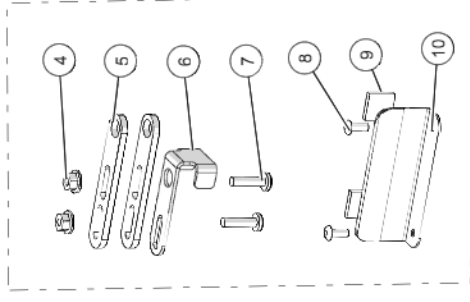
| ID | Part No. | Description |
|----|-----------|-----------------------------------------|
| 1 | WS-22298 | WASHER, M8, 18-8 |
| 2 | DR-39041 | DOOR, SWINGING, FRONT |
| 2a | 5018753R | FRONT DOOR PKG, FIELD INSTALL (opt) |
| 3 | TA-24637 | TAPE, TWO SIDED, VHB, 0.5" L |
| 4 | NU-39180 | NUT, M4-0.7 HEX FLG-SERR CL 8 SS |
| 5 | 1016925 | DOOR HINGE PIN |
| 6 | 1024721 | STOP, DOOR, FRONT |
| 7 | SC-38240 | SCREW, M4X0.7X16MM PAN |
| 8 | RI-38125 | RIVET, SEALED, .125" |
| 9 | 1023958 | BRACKET, MAGNET PLATE, |
| 10 | MA-39313 | MAGNET, 0.5" X 0.5" X 0.1" |
| 11 | 9553 | DRILL BIT, #30, DOUBLE END (not shown) |
| 12 | SRV-20155 | SERVICE DOC, HSM FRONT DOOR (not shown) |



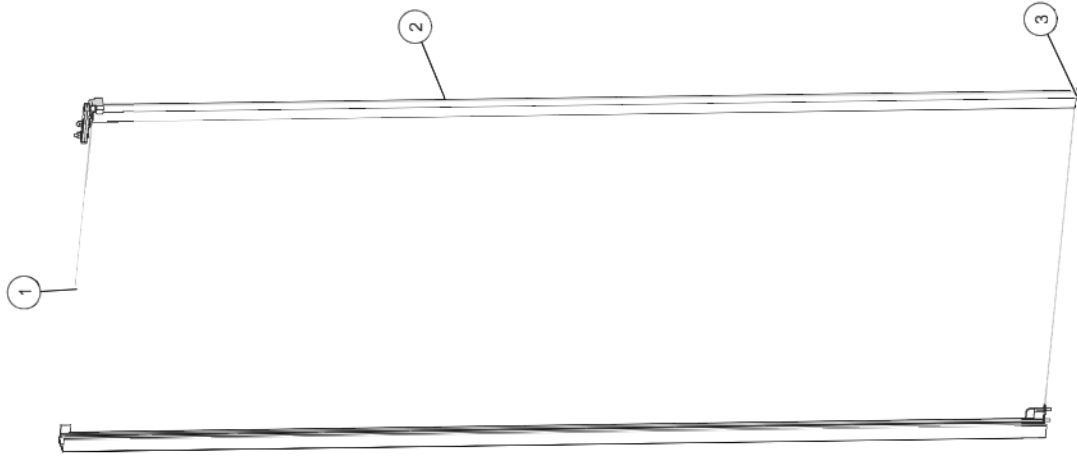
Front Door, HSM-36/CT



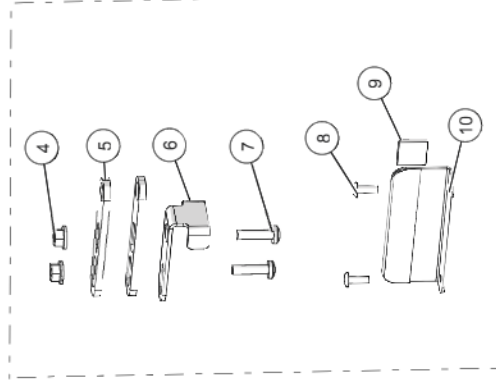
| ID | Part No. | Description |
|----|-----------|-----------------------------------------------|
| 1 | WS-22298 | WASHER, M8, 18-8 |
| 2 | DR-39027 | PIN, HINGE, SWINGING DOOR |
| 3 | DR-39039 | DOOR, SWINGING, FRONT |
| 3a | 5018799R | FIELD INSTALLATION KIT, FRONT DOOR PKG (opt.) |
| 4 | NU-M4-0.7 | NUT, M4-0.7 HEX FLG-SERR CL8 SS |
| 5 | 1016925 | DOOR HINGE PIN |
| 6 | 1024721 | STOP, DOOR, FRONT |
| 7 | SC-38240 | SCREW, M4X0.7X16MM PAN |
| 8 | RI-38125 | RIVET, SEALED, .125" |
| 9 | MA-39313 | MAGNET, 0.5" X 0.5" X 0.1" |
| 10 | 1023343 | BRACKET, MAGNET PLATE, REAR |
| 11 | SC-38240 | SCREW, M4X0.7X16MM PAN |
| 12 | 9535 | DRILL BIT, #30 DOUBLE END (not shown) |
| 13 | SRV-20155 | SERVICE DOC, HSM FRONT DOOR (not shown) |



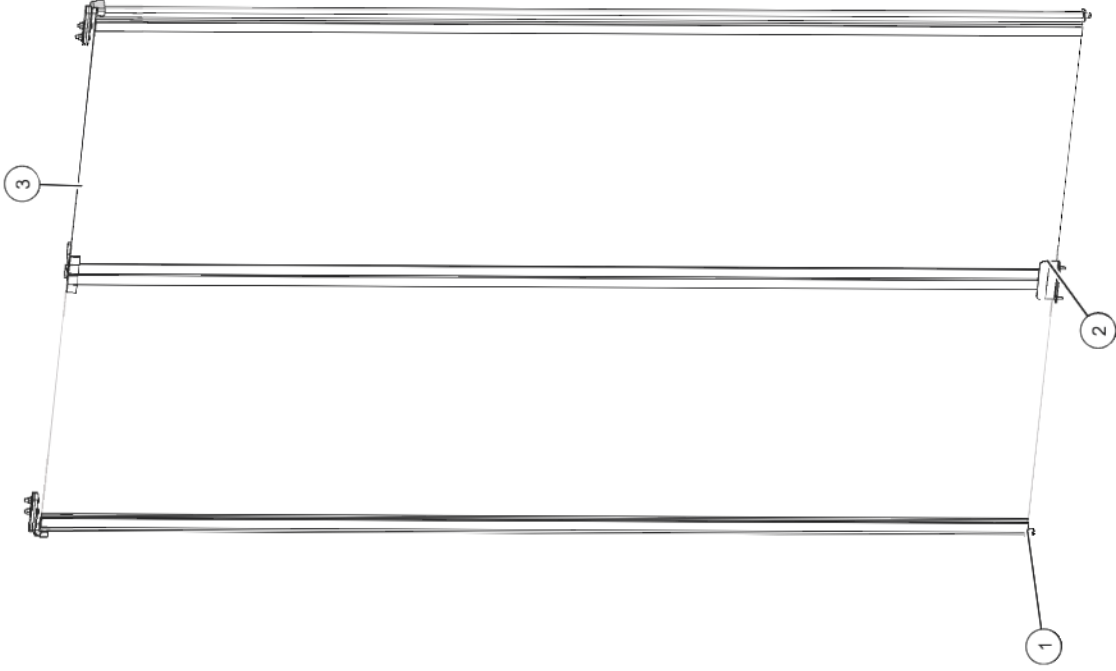
Front Door, HSM-24/5S/T



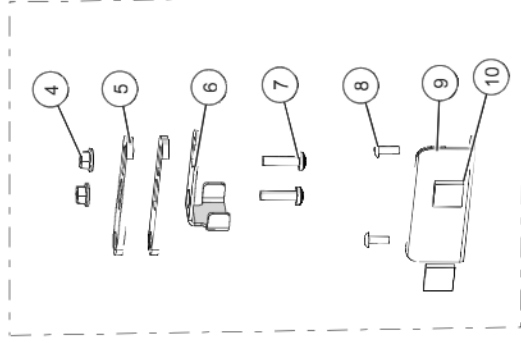
| ID | Part No. | Description |
|----|-----------|-----------------------------------------|
| 1 | DR-39037 | DOOR, SWINGING, FRONT |
| 1a | 5018425R | SERVICE KIT, FRONT SWINGING DOOR (opt) |
| 2 | TA-24637 | TAPE, TWO SIDED, VHB, 0.5" L |
| 3 | WS-22298 | WASHER, M8, 18-8 |
| 4 | NU-39180 | NUT, M4-0.7 HEX FLG-SERR CL8 SS |
| 5 | 1016925 | DOOR HINGE PIN |
| 6 | 1024721 | STOP, DOOR, FRONT |
| 7 | SC-38240 | SCREW, M4x0.7x16MM PAN |
| 8 | RI-38125 | RIVET, SEALED, .125" |
| 9 | MA-39313 | MAGNET, 0.5" X 0.5" X 0.1" |
| 10 | 1023958 | BRACKET, MAGNET PLATE, REAR |
| 11 | 9553 | DRILL BIT, #30 DOUBLE END (not shown) |
| 12 | SRV-20155 | SERVICE DOC, FRONT DOOR KIT (not shown) |



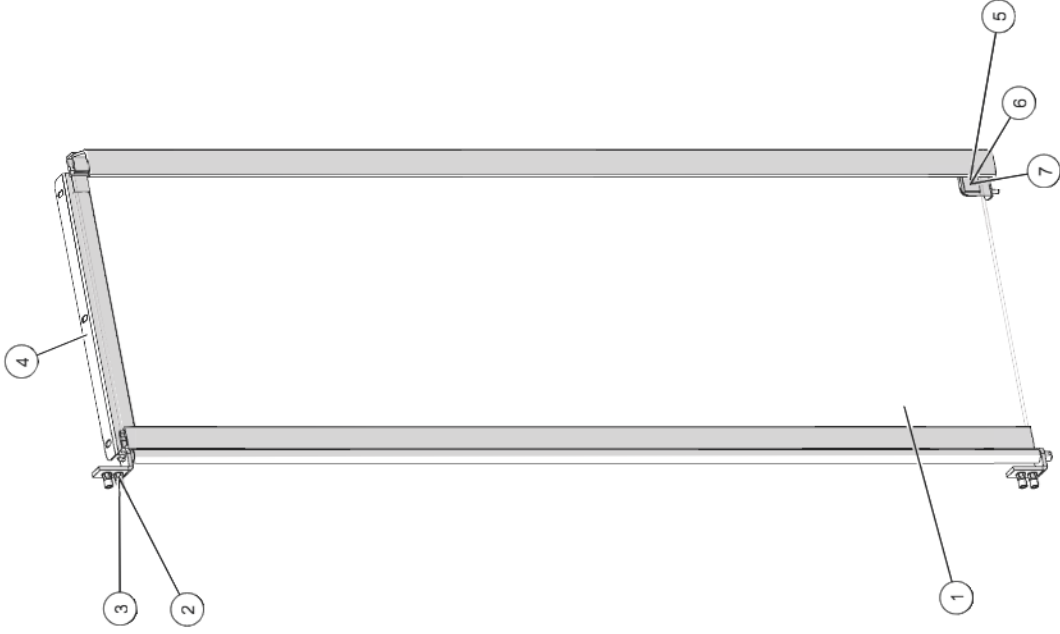
Front Door, HSM-36/5S/T



| ID | Part No. | Description |
|----|-----------|-----------------------------------------|
| 1 | WS-22298 | WASHER, M8, 18-8 |
| 2 | TA-24637 | TAPE, TWO SIDED, VHB, 0.5" L |
| 3 | DR-39035 | DOOR, SWINGING, FRONT |
| 3a | 5018440R | FRONT DOOR PKG SERVICE KIT |
| 4 | NU-39180 | NUT, M4-0.7 HEX FLG-SERR CL8 SS |
| 5 | 1016925 | DOOR HINGE PIN |
| 6 | 1024721 | STOP, DOOR, FRONT |
| 7 | SC-38240 | SCREW, M4x0.7X16MM PAN |
| 8 | RI-38125 | RIVET, SEALED, .125" |
| 9 | 1023343 | BRACKET, MAGNET PLATE, REAR |
| 10 | MA-39313 | MAGNET, 0.5" X 0.5" X 0.1" |
| 11 | 9535 | DRILL BIT, #30, DOUBLE END (not shown) |
| 12 | SRV-20155 | SERVICE DOC, HSM FRONT DOOR (not shown) |

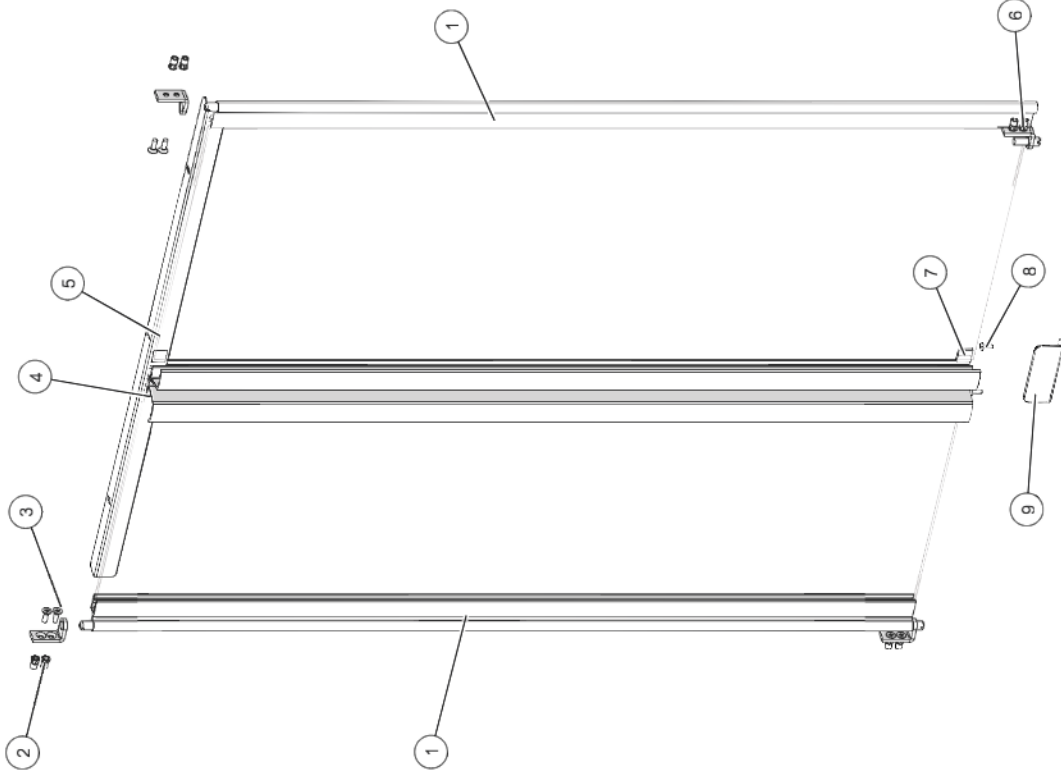


Rear Swinging Door, HSM-24/CT



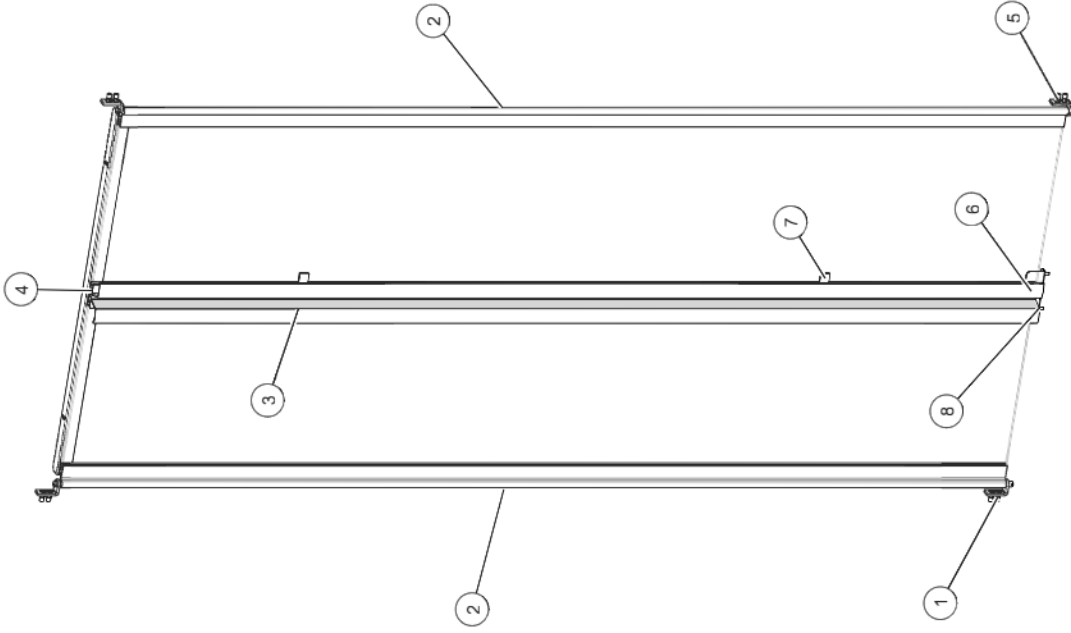
| ID | Part No. | Description |
|----|----------|------------------------------|
| 1 | DR-39042 | DOOR, SWINGING, REAR |
| 2 | SC-23141 | SCREW, M4x0.7X14MM FLAT |
| 3 | NU-26866 | NUT, HEX INSERT M4 |
| 4 | 1023965 | PLATE, MAGNET, REAR, TOP |
| 5 | 1023958 | BRACKET, MAGNET PLATE, REAR |
| 6 | MA-39313 | MAGNET, 0.5" X 0.5" X 0.1" |
| 7 | TA-24637 | TAPE, TWO SIDED, VHB, 0.5" L |

Rear Swinging Doors, HSM-36/3S/T



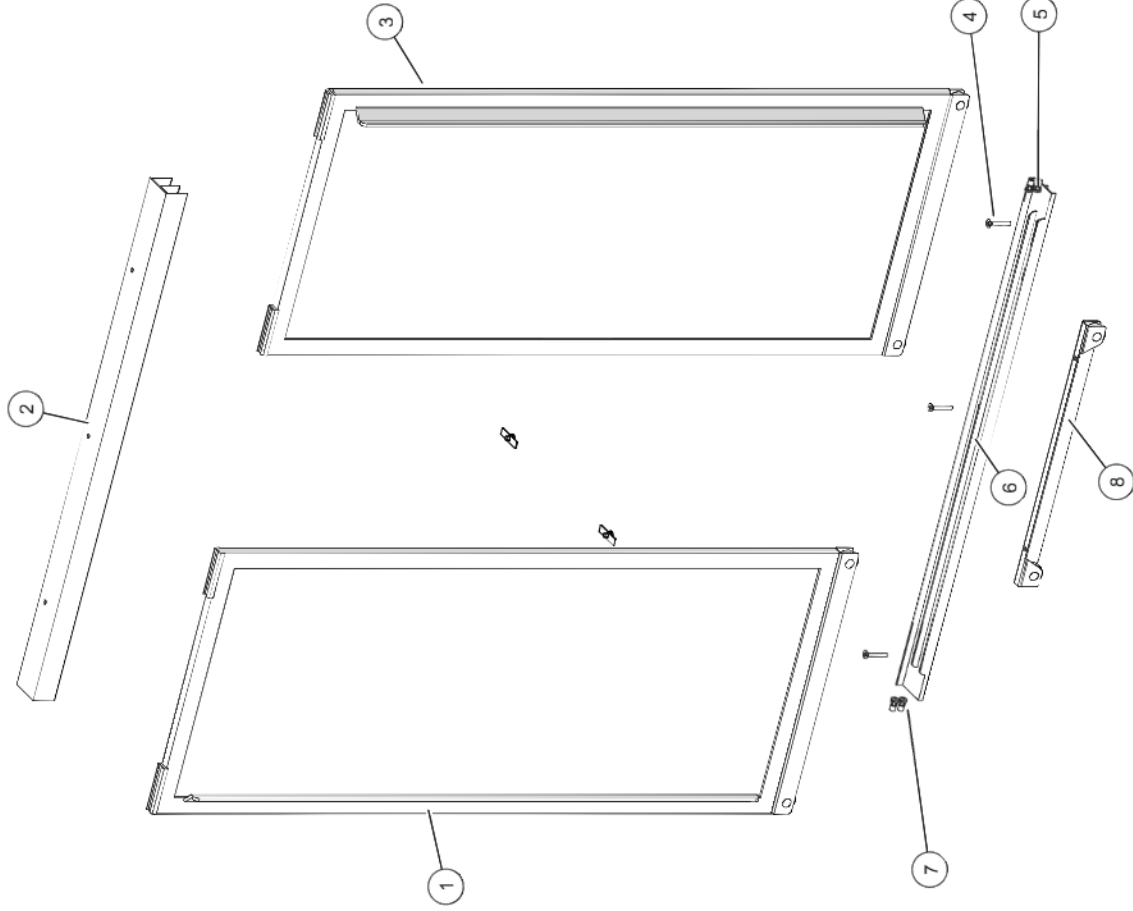
| ID | Part No. | Description |
|----|-----------|-----------------------------|
| 1 | DR-39040 | DOOR, SWINGING, REAR |
| 2 | NUJ-26866 | NUT, HEX INSERT M4 |
| 3 | SC-23141 | SCREW,M4X0.7X14MM FLAT |
| 4 | TA-24637 | TAPE,TWO SIDED,VHB,0.5" L |
| 5 | 1023966 | PLATE, MAGNET, REAR, TOP |
| 6 | SC-23141 | SCREW,M4X0.7X14MM FLAT |
| 7 | MA-39313 | MAGNET, 0.5" X 0.5" X 0.1" |
| 8 | RI-38125 | RIVET,SEALED,.125" |
| 9 | 1023343 | BRACKET, MAGNET PLATE, REAR |

Rear Swinging Doors, HSM-36/5S/T



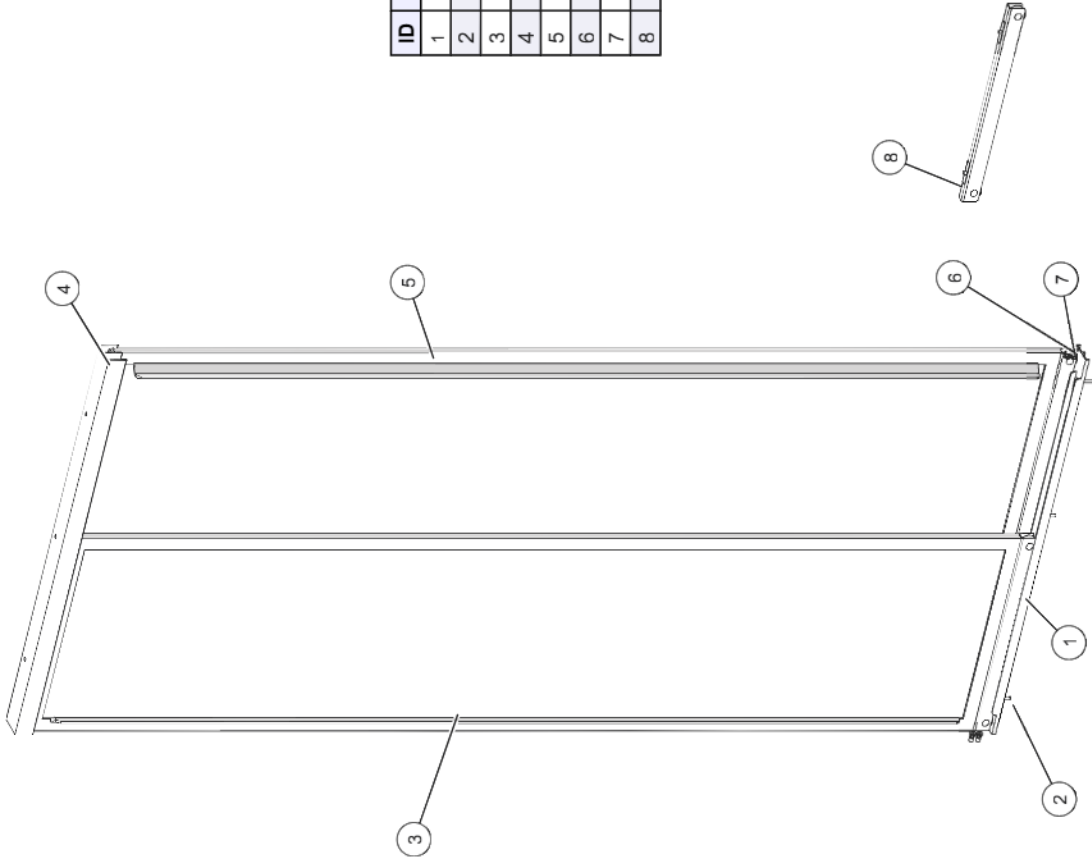
| ID | Part No. | Description |
|----|----------|------------------------------|
| 1 | NU-26866 | NUT, HEX INSERT M4 |
| 2 | DR-39036 | DOOR, SWINGING, REAR |
| 3 | MA-39313 | MAGNET, 0.5" X 0.5" X 0.1" |
| 4 | 1023966 | PLATE, MAGNET, REAR, TOP |
| 5 | SC-23141 | SCREW, M4x0.7X14MM FLAT |
| 6 | 1023343 | BRACKET, MAGNET PLATE, REAR |
| 7 | TA-24637 | TAPE, TWO SIDED, VHB, 0.5" L |
| 8 | RI-38125 | RIVET, SEALED, .125" |

Rear Sliding Doors, HSM-36/CT



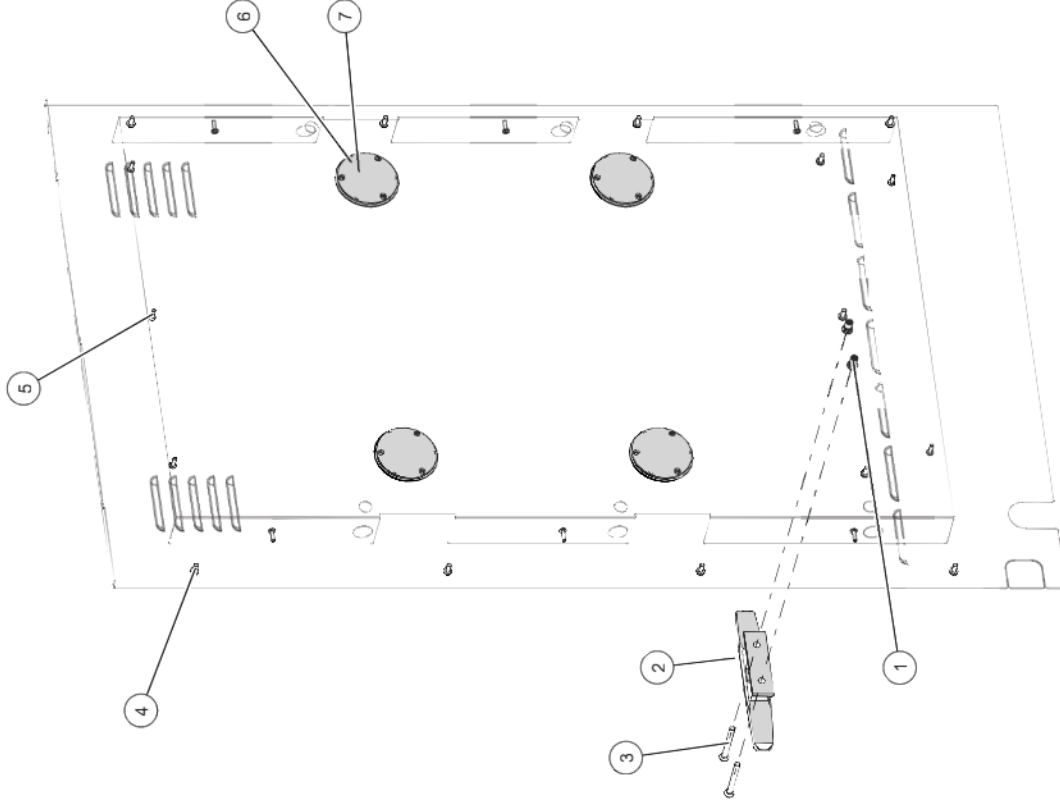
| ID | Part No. | Description |
|----|-----------|---------------------------|
| 1 | DR-39048 | DOOR, LEFT, SLIDING |
| 2 | TK-39045 | TRACK, TOP, SLIDE DOOR |
| 3 | DR-39047 | DOOR, RIGHT, SLIDING |
| 4 | SC-28263 | SCREW, M4x0.7X25MM FLAT |
| 5 | SC-22273 | SCREW, M4x0.7X10MM PAN |
| 6 | TK-39046 | TRACK, BOTTOM, SLIDE DOOR |
| 7 | NUJ-26866 | NUT, HEX INSERT M4 |
| 8 | 5031460R | BEARING BRACKET KIT |

Rear Sliding Doors, HSM-36/5S



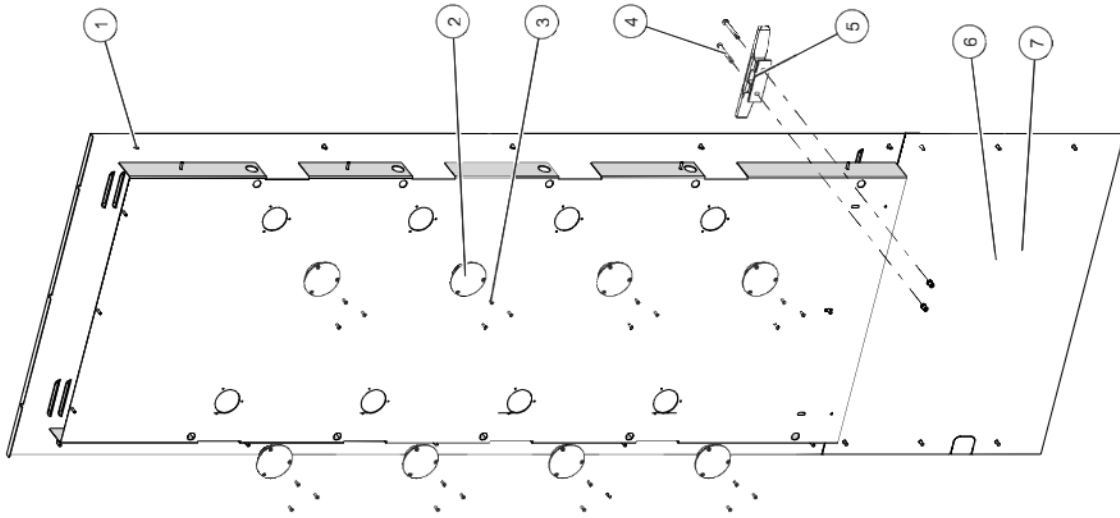
| ID | Part No. | Description |
|----|----------|---------------------------|
| 1 | TK-39046 | TRACK, BOTTOM, SLIDE DOOR |
| 2 | SC-28263 | SCREW,M4x0.7X25MM FLAT |
| 3 | DR-39044 | DOOR, LEFT, SLIDING |
| 4 | TK-39045 | TRACK, TOP, SLIDE DOOR |
| 5 | DR-39043 | DOOR, RIGHT, SLIDING |
| 6 | NU-26866 | NUT, HEX INSERT M4 |
| 7 | SC-22273 | SCREW,M4x0.7X10MM PAN |
| 8 | 5031460R | BEARING BRACKET KIT |

Reach-In Package, HSM-24/CT



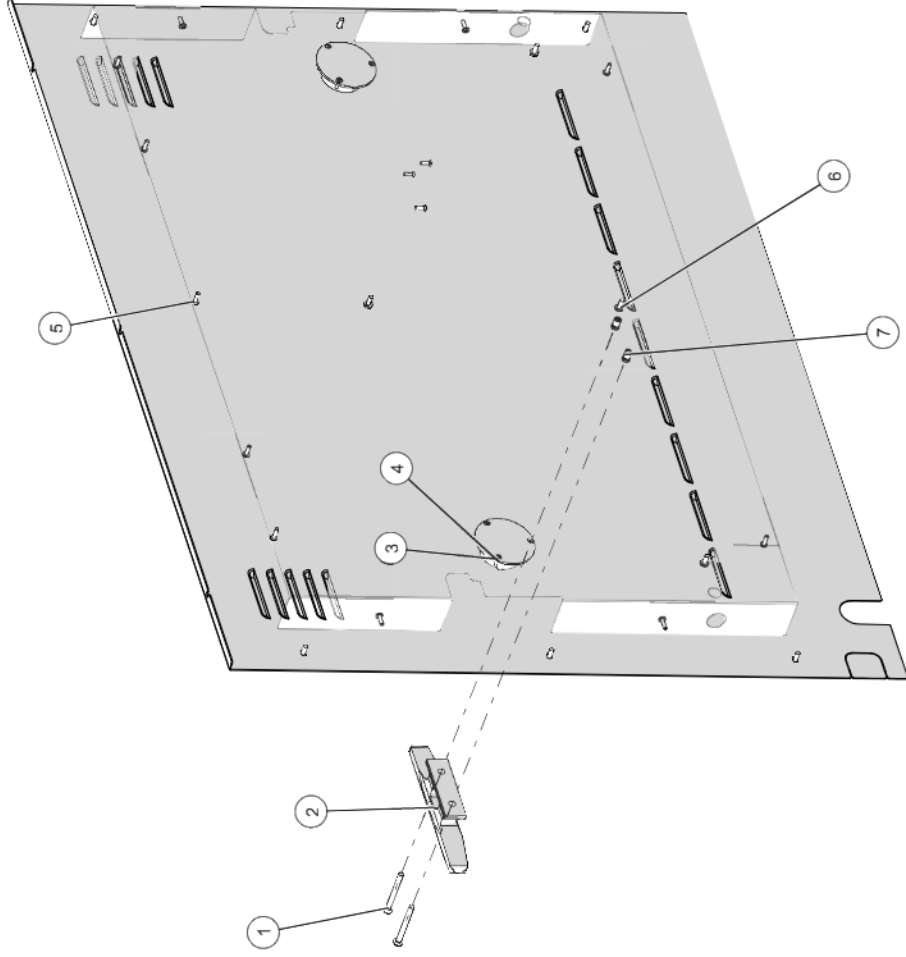
| ID | Part No. | Description |
|----|----------|-------------------------------------------|
| 1 | NU-37268 | NUT, HEX INSERT M5 |
| 2 | E2097HR | HANGER 6-1/2" ROPE CLEAT 7/16 BLACK NYLON |
| 3 | SC-35259 | SCREW,M5x0.8X50MM FLAT |
| 4 | SC-22273 | SCREW,M4x0.7X10MM PAN |
| 5 | RI-27108 | RIVET, SEALED |
| 6 | SC-23102 | SCREW,M3x0.5X10MM FLAT |
| 7 | LP-37100 | LAMP, LED, 12V |

Reach-In Package, HSM-24/5S/T



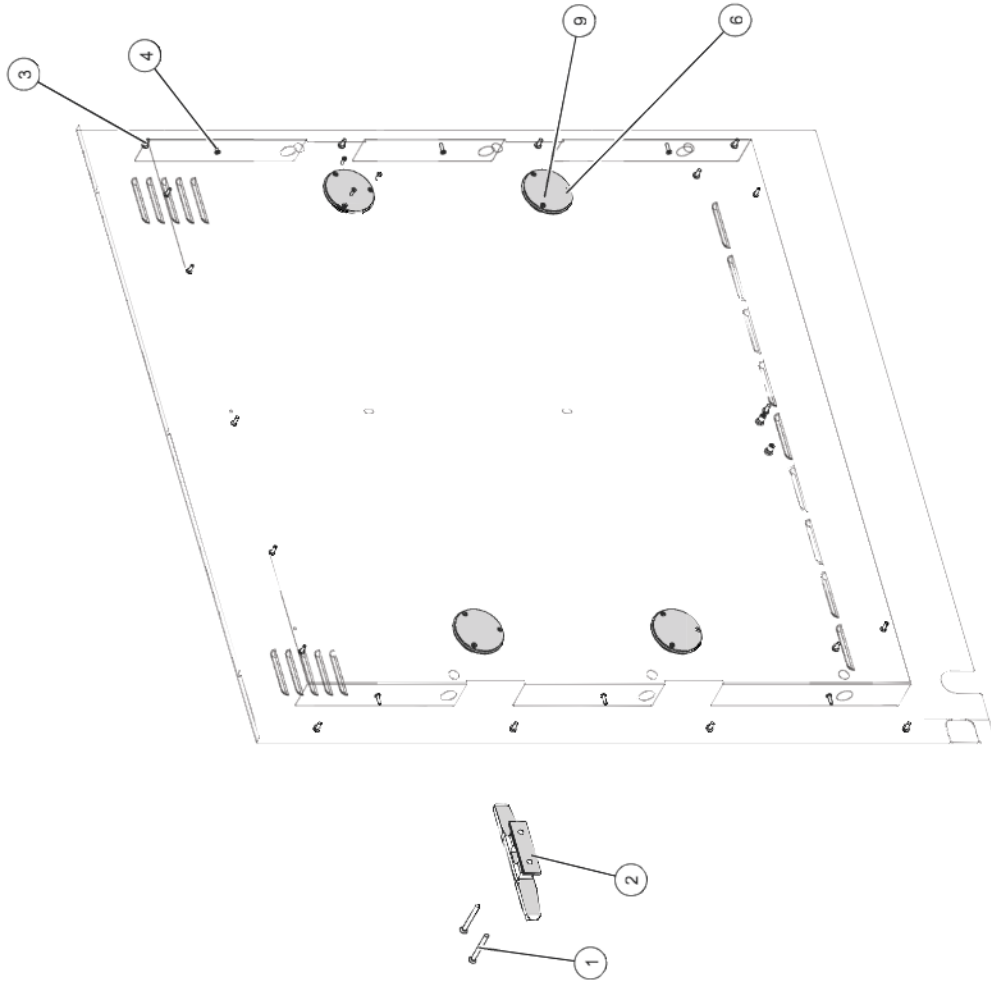
| ID | Part No. | Description |
|----|----------|-------------------------------------------|
| 1 | SC-22273 | SCREW,M4X0.7X10MM PAN |
| 2 | LP-37100 | LAMP, LED, 12V |
| 3 | SC-23102 | SCREW,M3X0.5X10MM FLAT |
| 4 | SC-35259 | SCREW,M5X0.8X50MM FLAT |
| 5 | E2097HR | HANGER 6-1/2" ROPE CLEAT 7/16 BLACK NYLON |
| 6 | 5022737R | LOWER BACK PANEL ASSEMBLY |
| 7 | 5022835R | SERVICE KIT, LOWER PANEL |

Reach-In Package, HSM-36/2S/T



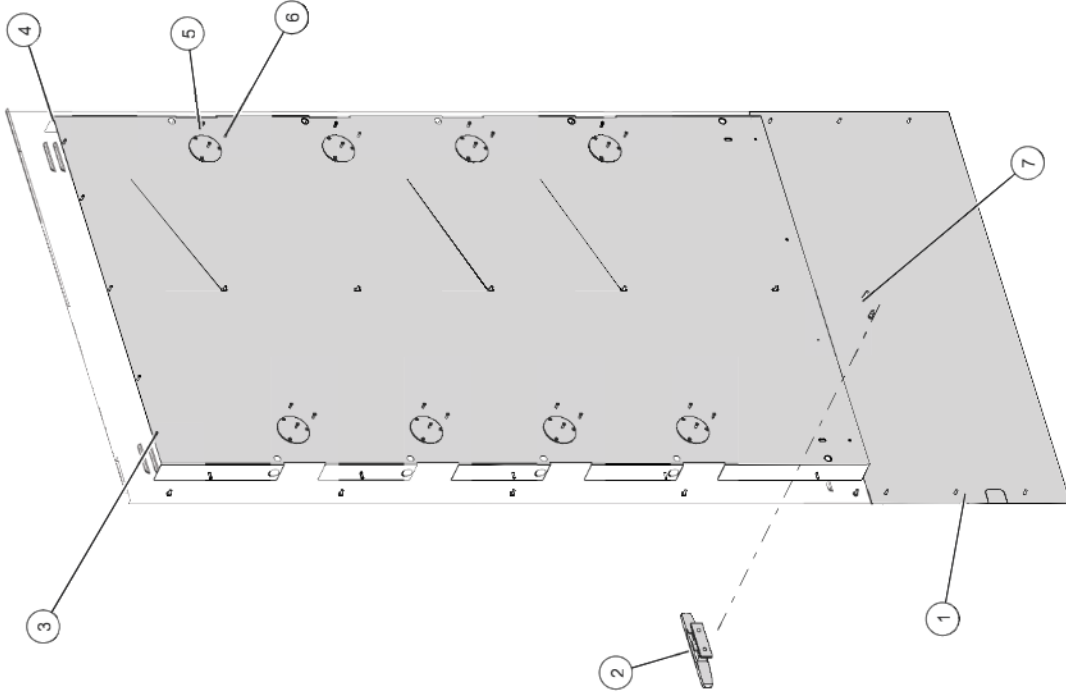
| ID | Part No. | Description |
|----|----------|-------------------------------------------|
| 1 | SC-35259 | SCREW,M5x0.8X50MM FLAT |
| 2 | E2097HR | HANGER 6-1/2" ROPE CLEAT 7/16 BLACK NYLON |
| 3 | SC-23102 | SCREW,M3x0.5X10MM FLAT |
| 4 | LP-37100 | LAMP, LED, 12V |
| 5 | RI-27108 | RIVET, SEALED |
| 6 | SC-22273 | SCREW,M4x0.7X10MM PAN |
| 7 | NU-37268 | NUT, HEX INSERT M5 |

Reach-In Package, HSM-36/3S/T



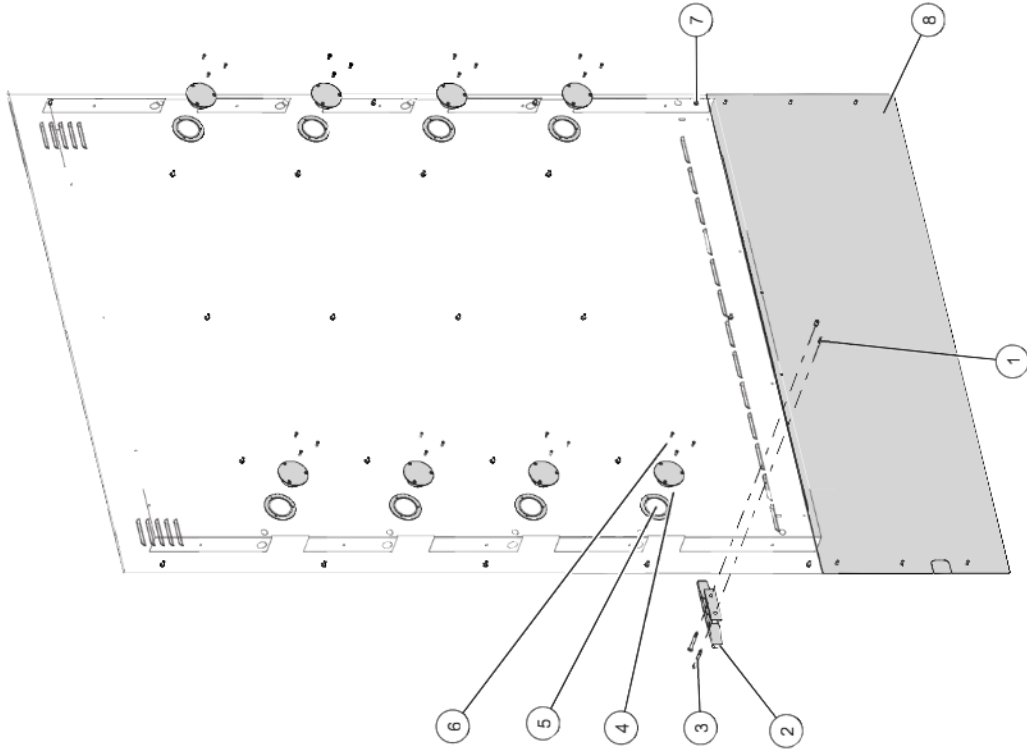
| ID | Part No. | Description |
|----|----------|-------------------------------------------|
| 1 | SC-35259 | SCREW, CTSK FLAT METRIC |
| 2 | E2097HR | HANGER 6-1/2" ROPE CLEAT 7/16 BLACK NYLON |
| 3 | SC-22273 | SCREW,M4x0.7X10MM PAN |
| 4 | RI-27108 | RIVET, SEALED |
| 6 | SC-23102 | SCREW,M3x0.5X10MM FLAT |
| 9 | LP-37100 | LAMP, LED, 12V |

Reach-In Package, HSM-36/5S/T



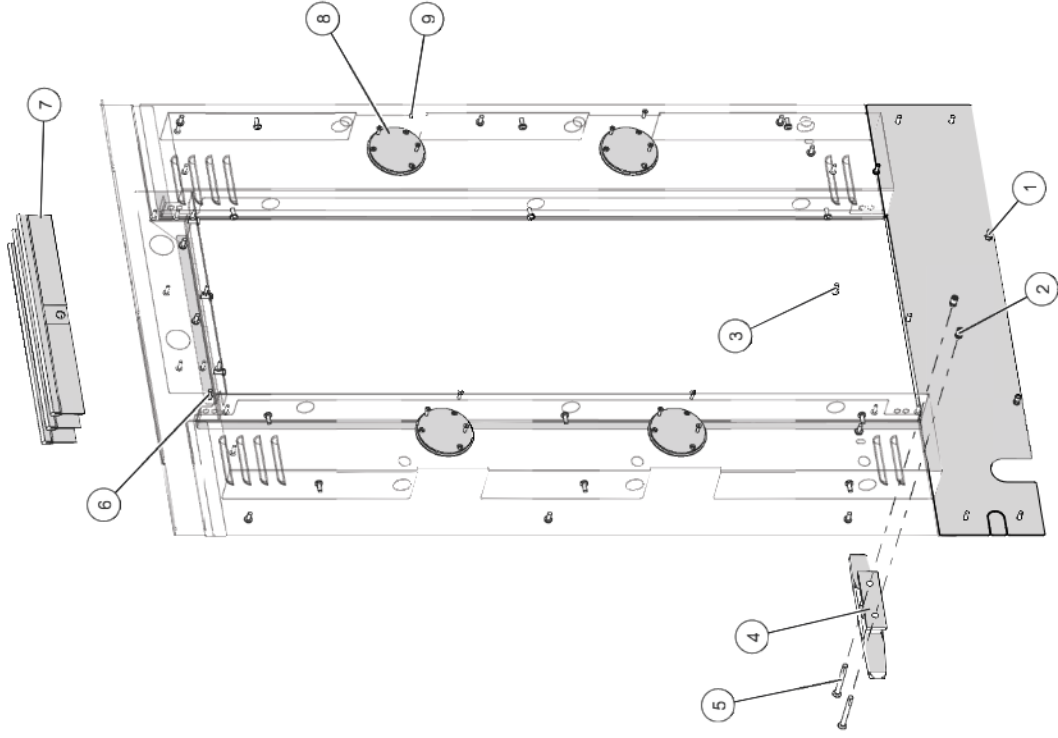
| ID | Part No. | Description |
|----|----------|-------------------------------------------|
| 1 | 5022739R | KIT, PANEL, BACK, LOWER |
| 2 | E2097HR | HANGER 6-1/2" ROPE CLEAT 7/16 BLACK NYLON |
| 3 | RI-27108 | RIVET, SEALED |
| 4 | SC-22273 | SCREW, M4x0.7X10MM PAN |
| 5 | LP-37100 | LAMP, LED, 12V |
| 6 | SC-23102 | SCREW, M3x0.5X10MM FLAT |
| 7 | SC-35259 | SCREW, M5x0.8X50MM FLAT (x2) |

Reach-In Package, HSM-48/5S/T



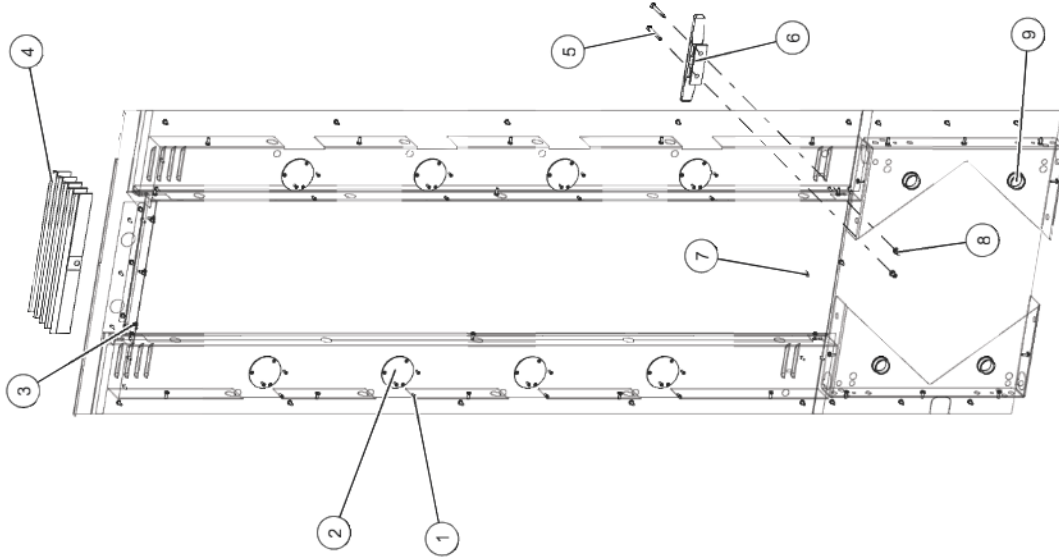
| ID | Part No. | Description |
|----|----------|-------------------------------------------|
| 1 | NU-37268 | NUT, HEX INSERT M5 |
| 2 | E2097HR | HANGER 6-1/2" ROPE CLEAT 7/16 BLACK NYLON |
| 3 | SC-35259 | SCREW,M5x0.8X50MM FLAT |
| 4 | LP-37100 | LAMP, LED, 12V |
| 5 | 1020644 | RING, SNAP RIVET, RD LED |
| 6 | SC-23102 | SCREW,M3x0.5X10MM FLAT |
| 7 | SC-22273 | SCREW,M4x0.7X10MM PAN |
| 8 | 5022844R | SERVICE KIT, LOWER BACK PANEL |

Pass-Through Package, HSM-24/CT



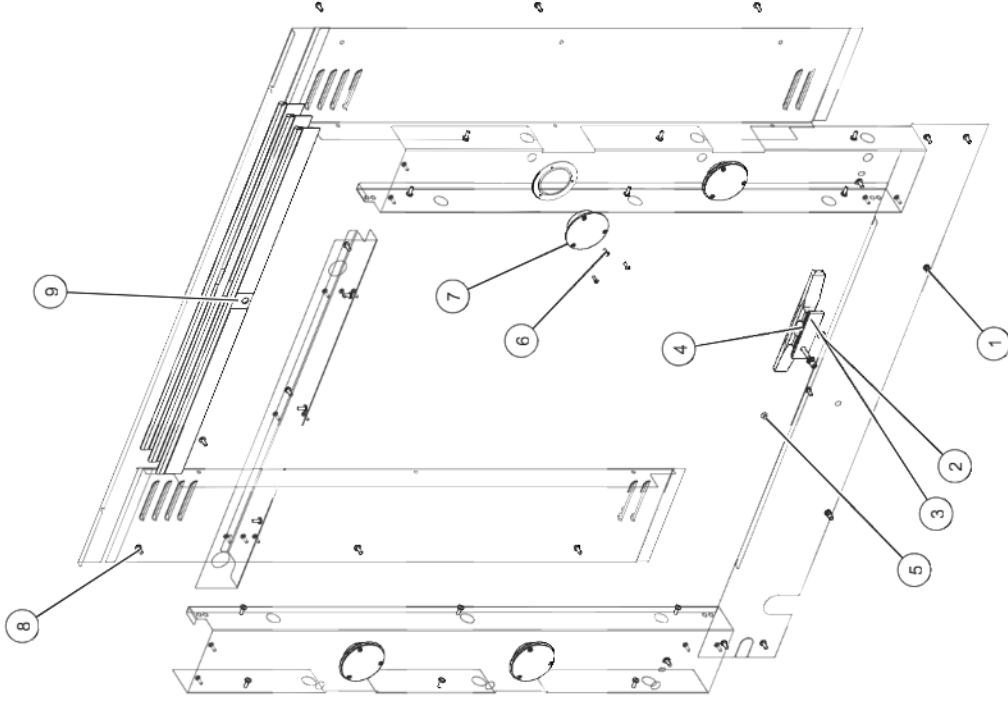
| ID | Part No. | Description |
|----|-----------|-------------------------------------------|
| 1 | NUJ-26866 | NUT, HEX INSERT M4 |
| 2 | NUJ-37268 | NUT, HEX INSERT M5 |
| 3 | SC-23141 | SCREW, M4x0.7X14MM FLAT |
| 4 | E2097HR | HANGER 6-1/2" ROPE CLEAT 7/16 BLACK NYLON |
| 5 | SC-35259 | SCREW, M5x0.8X50MM FLAT |
| 6 | SC-22273 | SCREW, M4x0.7X10MM PAN |
| 7 | 5031402R | SHELF HEAT GUARD, ASSM |
| 8 | LP-37100 | LAMP, LED, 12V |
| 9 | SC-23102 | SCREW, M3x0.5X10MM FLAT |

Pass-Through Package, HSM-24/5S



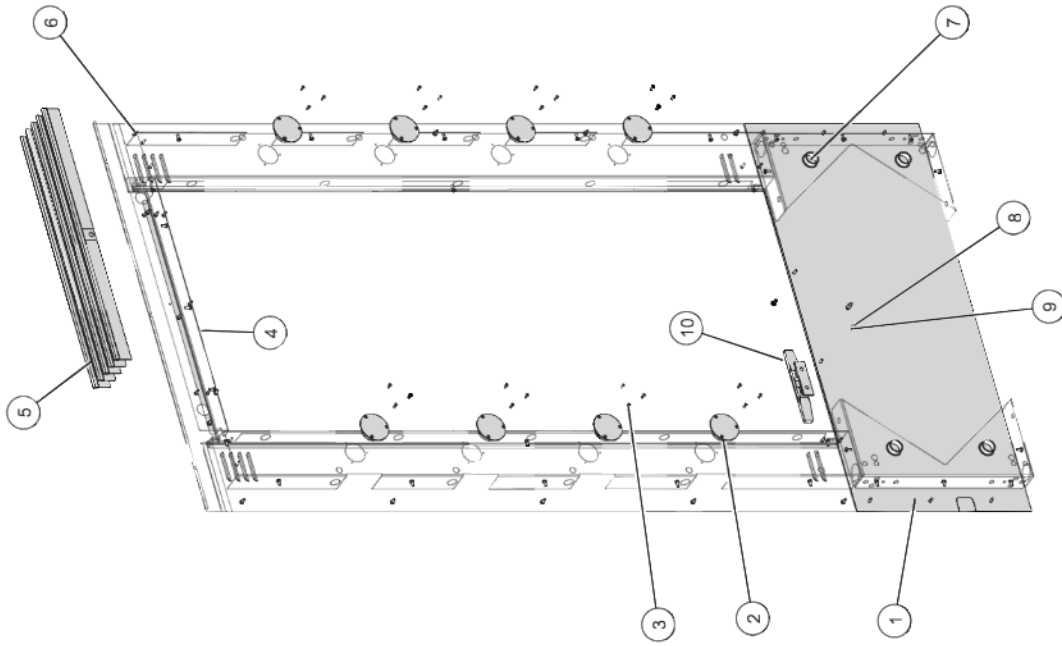
| ID | Part No. | Description |
|----|----------|-------------------------------------------|
| 1 | SC-23102 | SCREW,M3x0.5X10MM FLAT |
| 2 | LP-37100 | LAMP, LED, 12V |
| 3 | SC-22273 | SCREW,M4x0.7X10MM PAN |
| 4 | 5031402 | SHELF HEAT GUARD, ASSM (x5) |
| 5 | SC-35259 | SCREW,M5x0.8X50MM FLAT |
| 6 | E2097HR | HANGER 6-1/2" ROPE CLEAT 7/16 BLACK NYLON |
| 7 | SC-23141 | SCREW,M4x0.7X14MM FLAT |
| 8 | NU-37268 | NUT, HEX INSERT M5 |
| 9 | BU-3378 | 1 1/8" SNAP BUSHING |

Pass-Through Package, HSM-36/CT



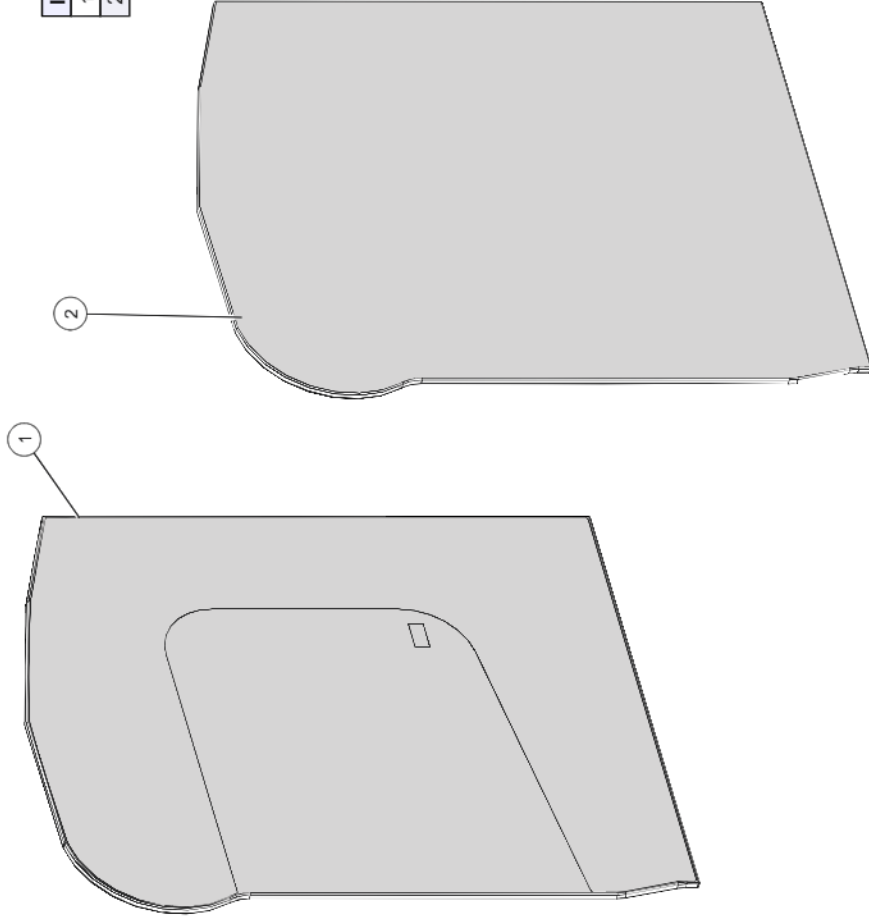
| ID | Part No. | Description |
|----|----------|-------------------------------------------|
| 1 | NU-26866 | NUT, HEX INSERT M4 |
| 2 | NU-37268 | NUT, HEX INSERT M5 |
| 3 | SC-35259 | SCREW, M5x0.8X50MM FLAT |
| 4 | E2097HR | HANGER 6-1/2" ROPE CLEAT 7/16 BLACK NYLON |
| 5 | SC-23141 | SCREW, M4x0.7X14MM FLAT |
| 6 | SC-23102 | SCREW, M3x0.5X10MM FLAT |
| 7 | LP-37100 | LAMP, LED, 12V |
| 8 | SC-22273 | SCREW, M4x0.7X10MM PAN |
| 9 | 5031401R | SHELF HEAT GUARD, ASSM |

Pass-Through Package, HSM-36/5S



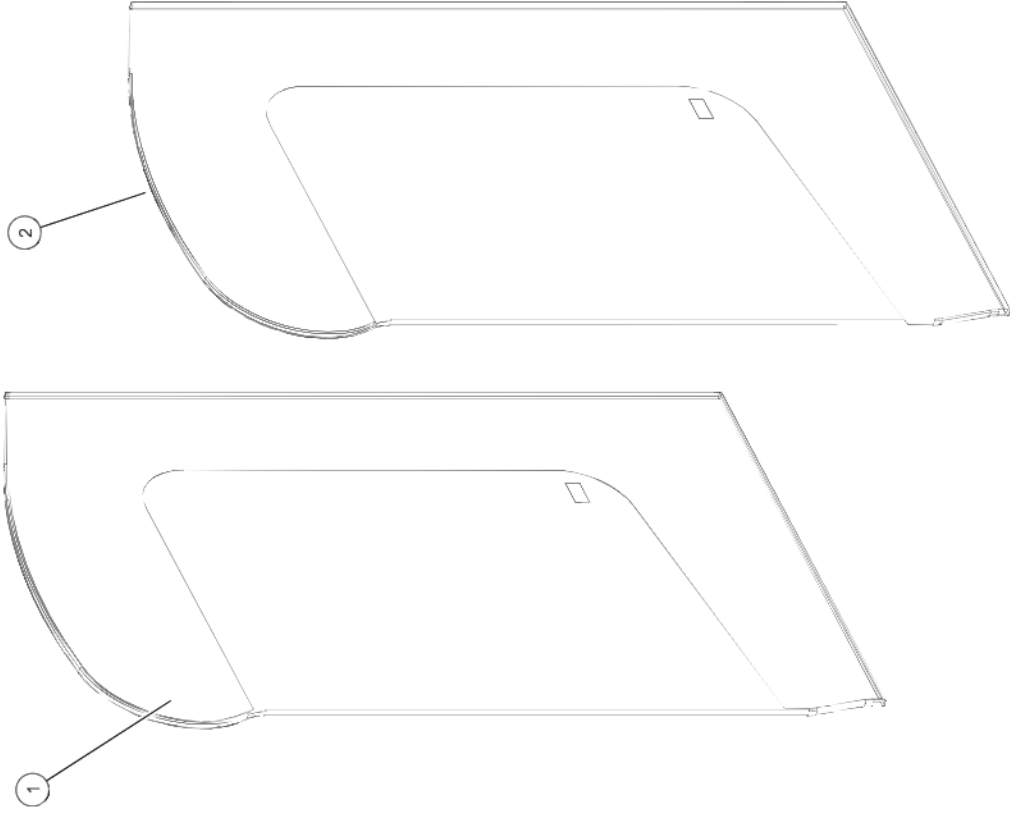
| ID | Part No. | Description |
|----|----------|-------------------------------------------|
| 1 | 1017002 | PANEL, BACK, LOWER |
| 2 | LP-37100 | LAMP, LED, 12V |
| 3 | SC-23102 | SCREW, M3x0.5X10MM / FLAT |
| 4 | 1023404 | PANEL, UPPER, INNER, HSM-36 |
| 5 | 5031401 | SHELF HEAT GUARD, ASSM (x5) |
| 6 | SC-22273 | SCREW, M4x0.7X10MM / PAN |
| 7 | BU-3378 | 1 1/8" SNAP BUSHING |
| 8 | NU-37268 | NUT, HEX INSERT M5 |
| 9 | SC-35259 | SCREW, M5x0.8X50MM / FLAT |
| 10 | E2097HR | HANGER 6-1/2" ROPE CLEAT 7/16 BLACK NYLON |

Side Glass Assembly, HSM-36/2S/T



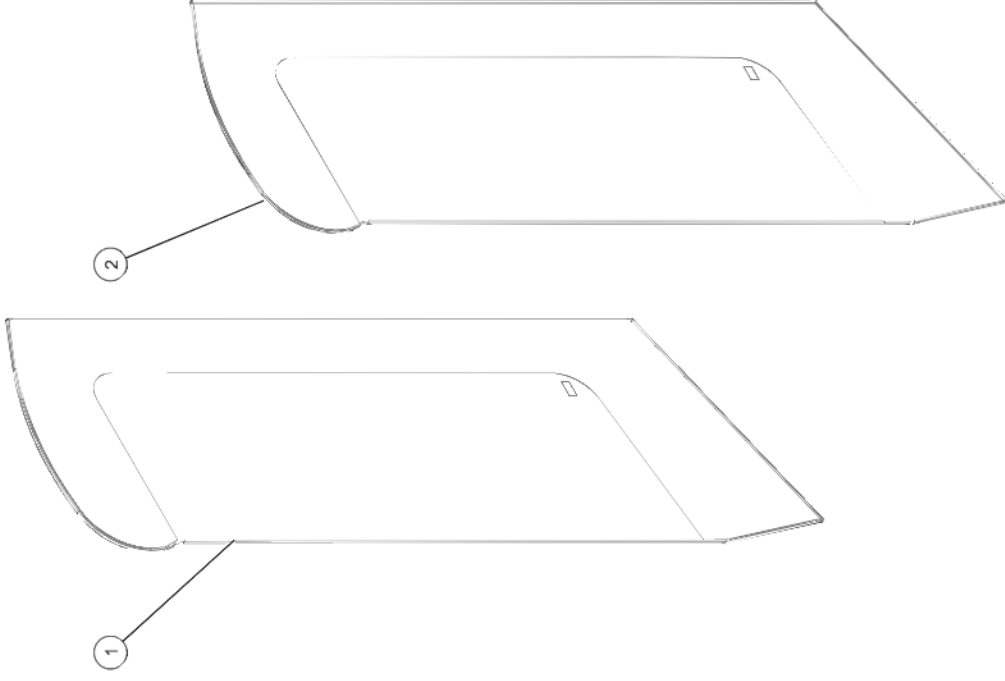
| ID | Part No. | Description |
|----|----------|----------------------------|
| 1 | GL-47712 | GLASS,LEFT,TEMPERED,9.5mm |
| 2 | GL-47716 | GLASS,RIGHT,TEMPERED,9.5mm |

Side Glass Assembly, HSM-24/3S/T or HSM-36/3S/T



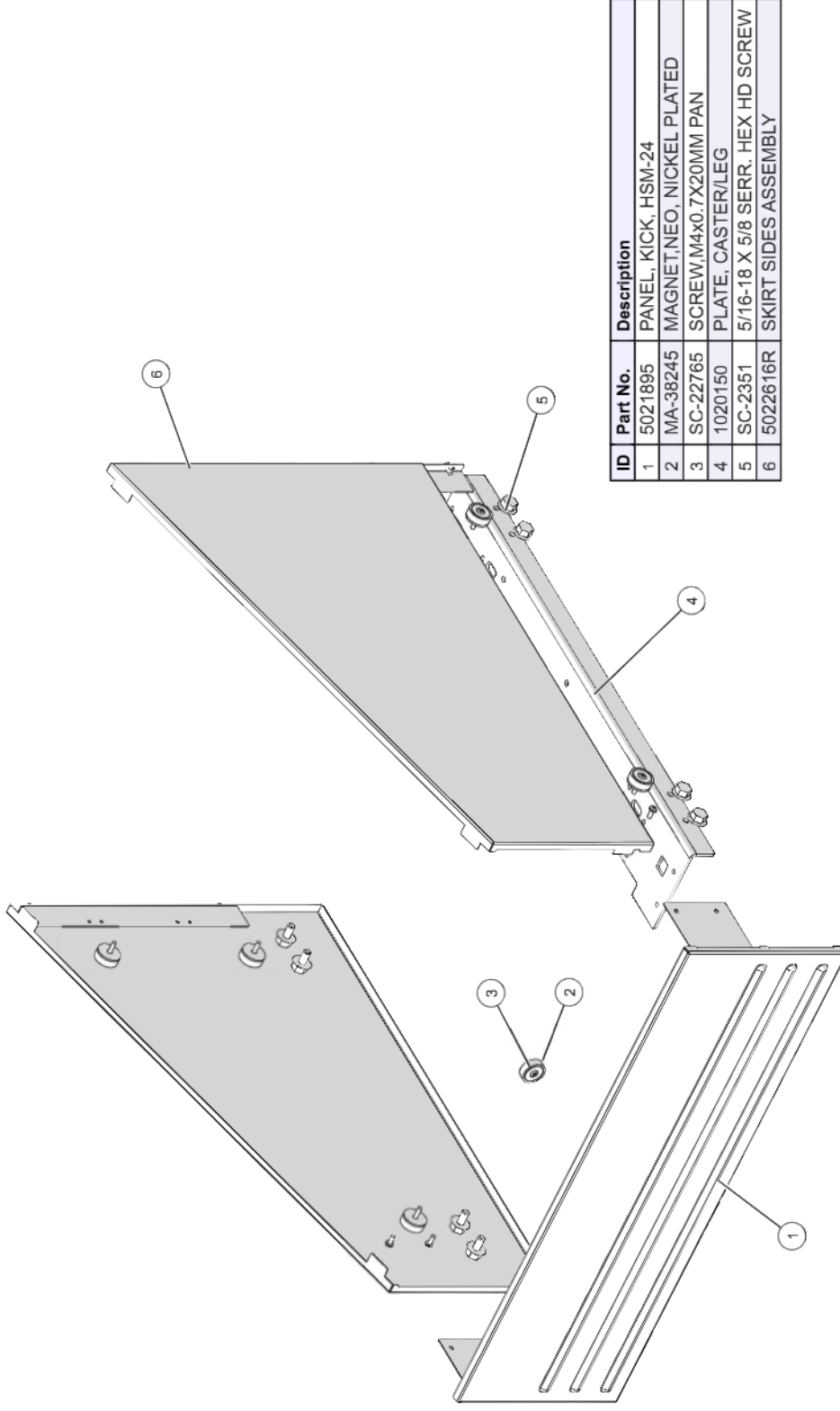
| ID | Part No. | Description |
|----|----------|----------------------------|
| 1 | GL-38604 | GLASS, LF, TEMPERED, 9.5MM |
| 2 | GL-38603 | GLASS, RT, TEMPERED, 9.5MM |

Side Glass Assembly (All 5S models)

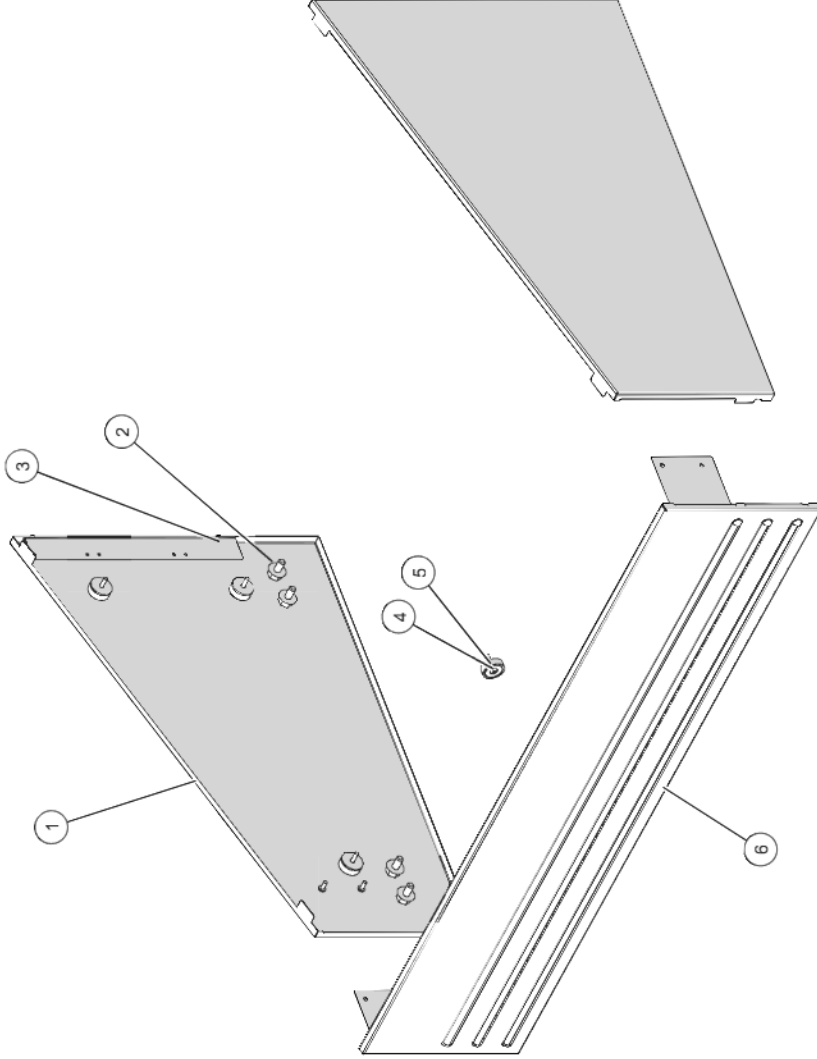


| ID | Part No. | Description |
|----|----------|----------------------------|
| 1 | GL-38414 | GLASS, LH, TEMPERED, 9.5MM |
| 2 | GL-38413 | GLASS, RH, TEMPERED, 9.5MM |

Skirt Assembly, Floor Model, HSM-24/3S/T

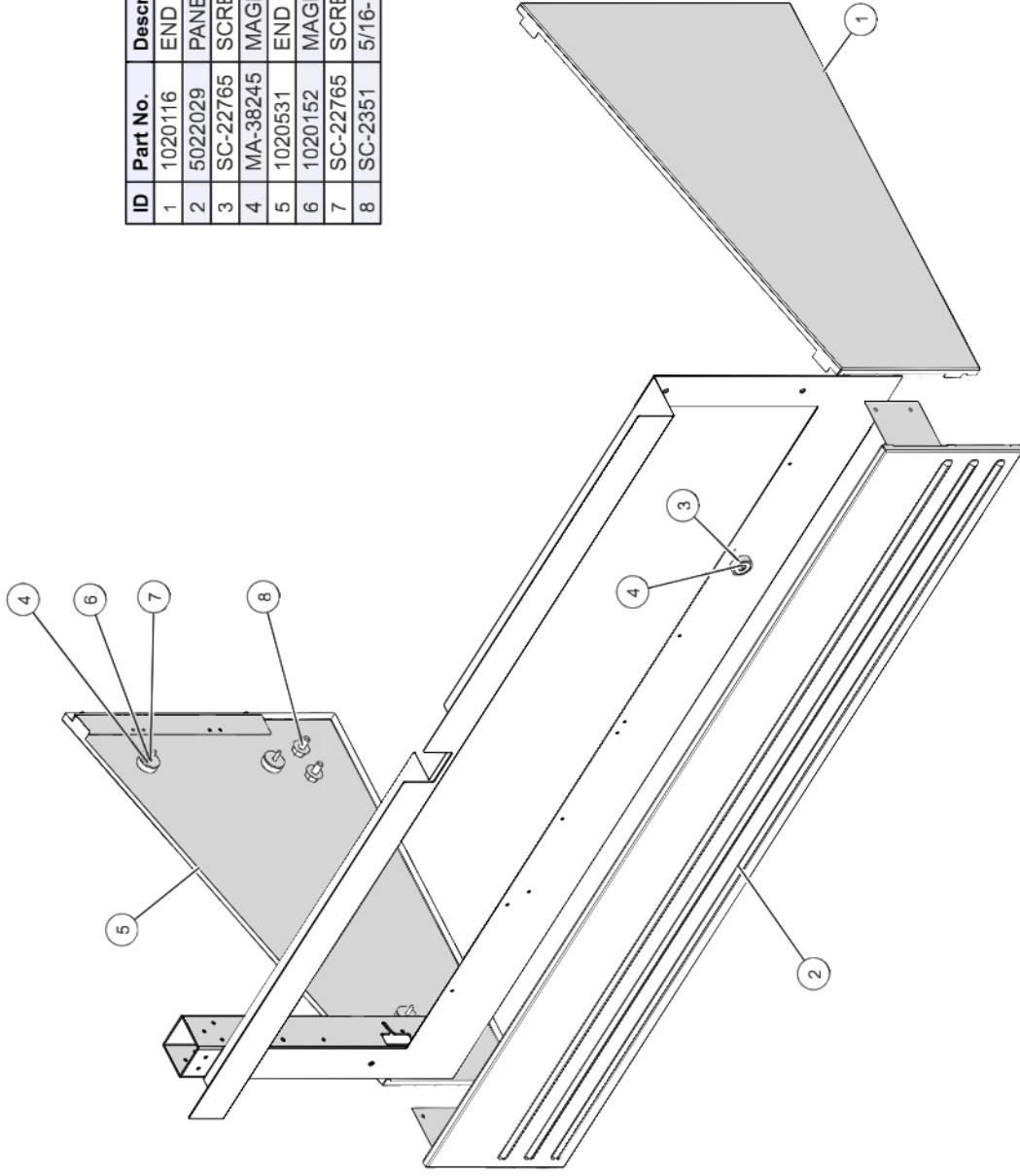


Skirt Assembly, Floor Model, HSM-36/5S/T



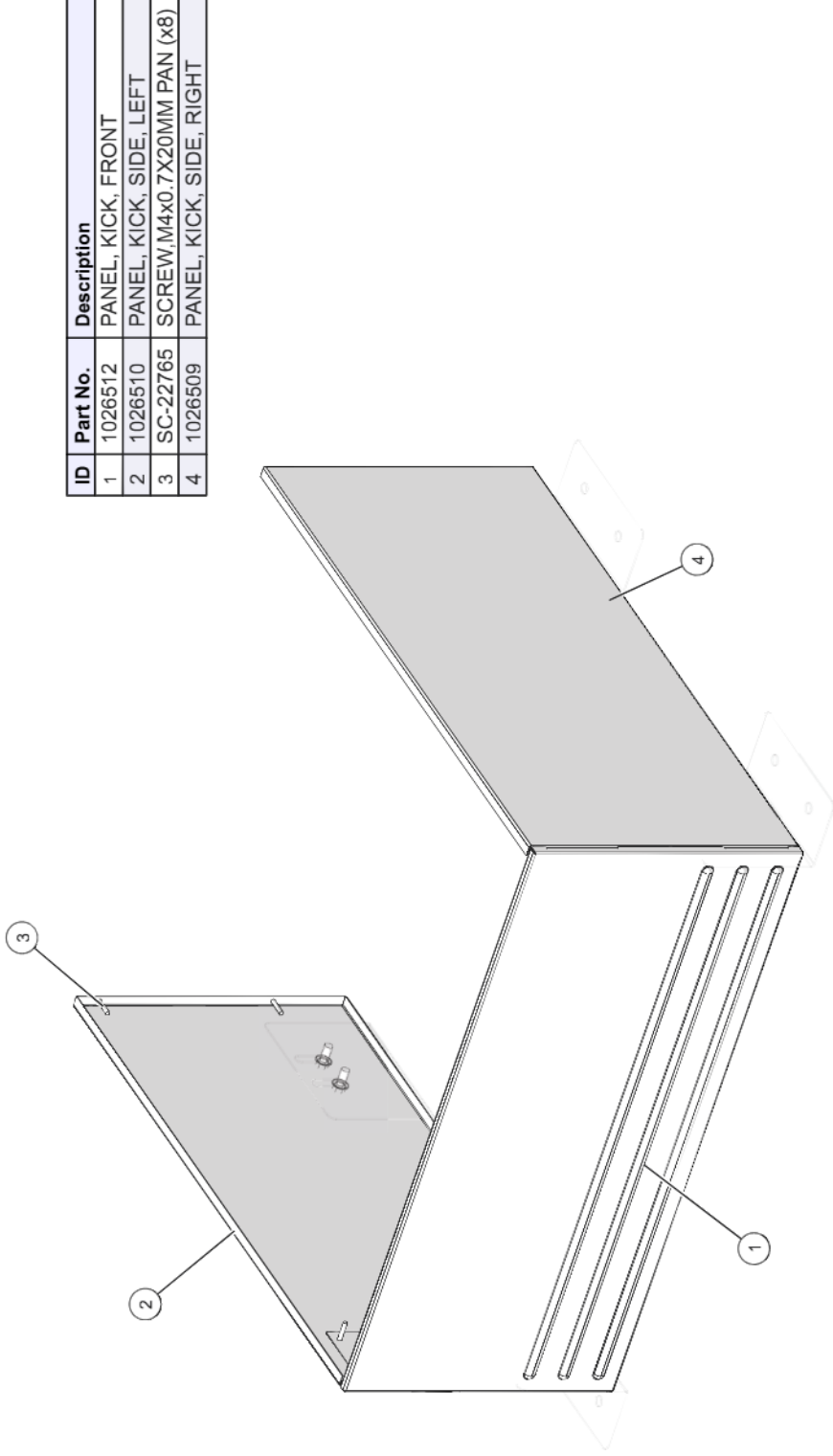
| ID | Part No. | Description |
|----|----------|----------------------------------|
| 1 | 5022616R | SKIRT SIDES ASSEMBLY |
| 2 | SC-2351 | 5/16-18 X 5/8 SERR. HEX HD SCREW |
| 3 | SC-22273 | SCREW,M4x0.7X10MM PAN |
| 4 | MA-38245 | MAGNET,NEO, NICKEL PLATED |
| 5 | SC-22765 | SCREW,M4x0.7X20MM PAN |
| 6 | 5022308 | PANEL, KICK, HSM-36 |

Skirt Assembly, Floor Model, HSM-48/5S/T



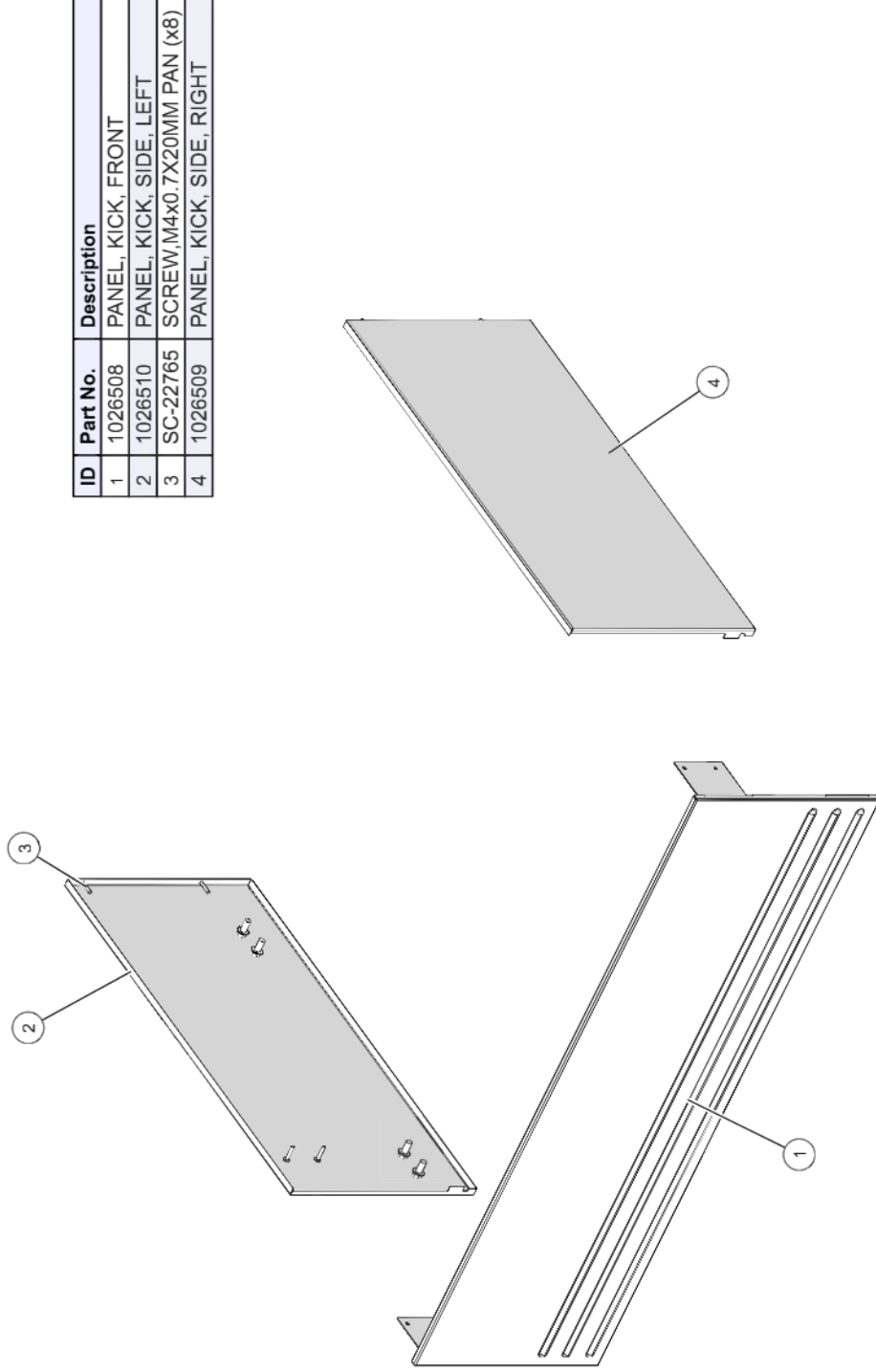
| ID | Part No. | Description |
|----|----------|----------------------------------|
| 1 | 1020116 | END CAP PANEL, RT, LOWER |
| 2 | 5022029 | PANEL, KICK, HSM-48 |
| 3 | SC-22765 | SCREW,M4x0.7X20MM PAN |
| 4 | MA-38245 | MAGNET,NEO, NICKEL PLATED |
| 5 | 1020531 | END CAP PANEL, LF, LOWER |
| 6 | 1020152 | MAGNET DISK, HSM |
| 7 | SC-22765 | SCREW,M4x0.7X20MM PAN |
| 8 | SC-2351 | 5/16-18 X 5/8 SERR. HEX HD SCREW |

Skirt Assembly, HSM-24/3S (for Display Base)

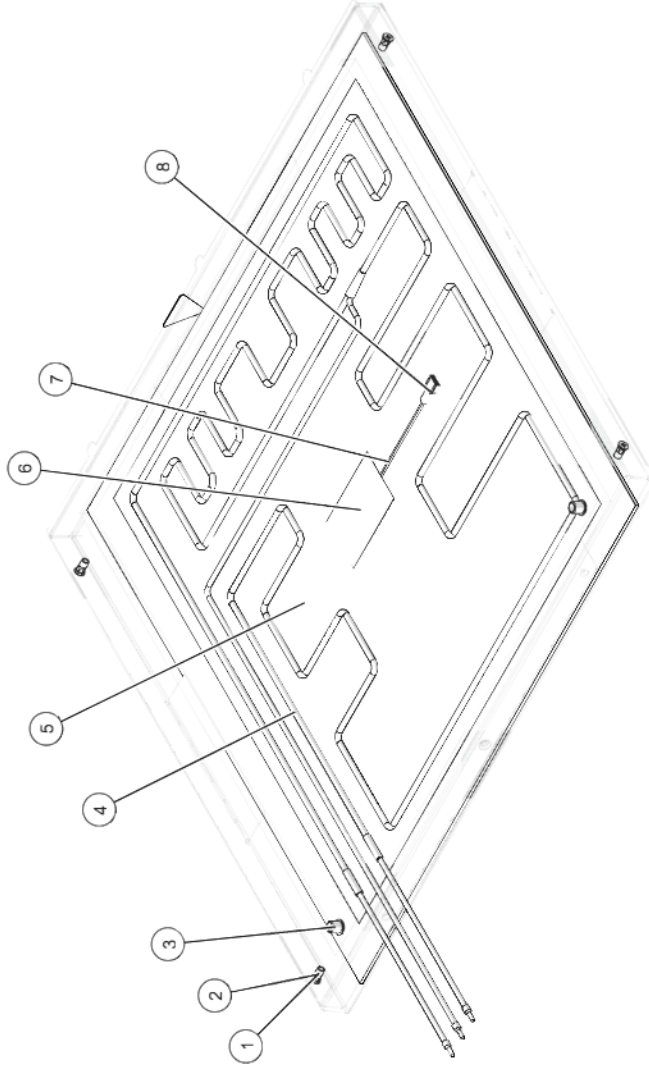


| ID | Part No. | Description |
|----|----------|----------------------------|
| 1 | 1026512 | PANEL, KICK, FRONT |
| 2 | 1026510 | PANEL, KICK, SIDE, LEFT |
| 3 | SC-22765 | SCREW.M4x0.7X20MM PAN (x8) |
| 4 | 1026509 | PANEL, KICK, SIDE, RIGHT |

Skirt Assembly, HSM-36/3S (for Display Base)



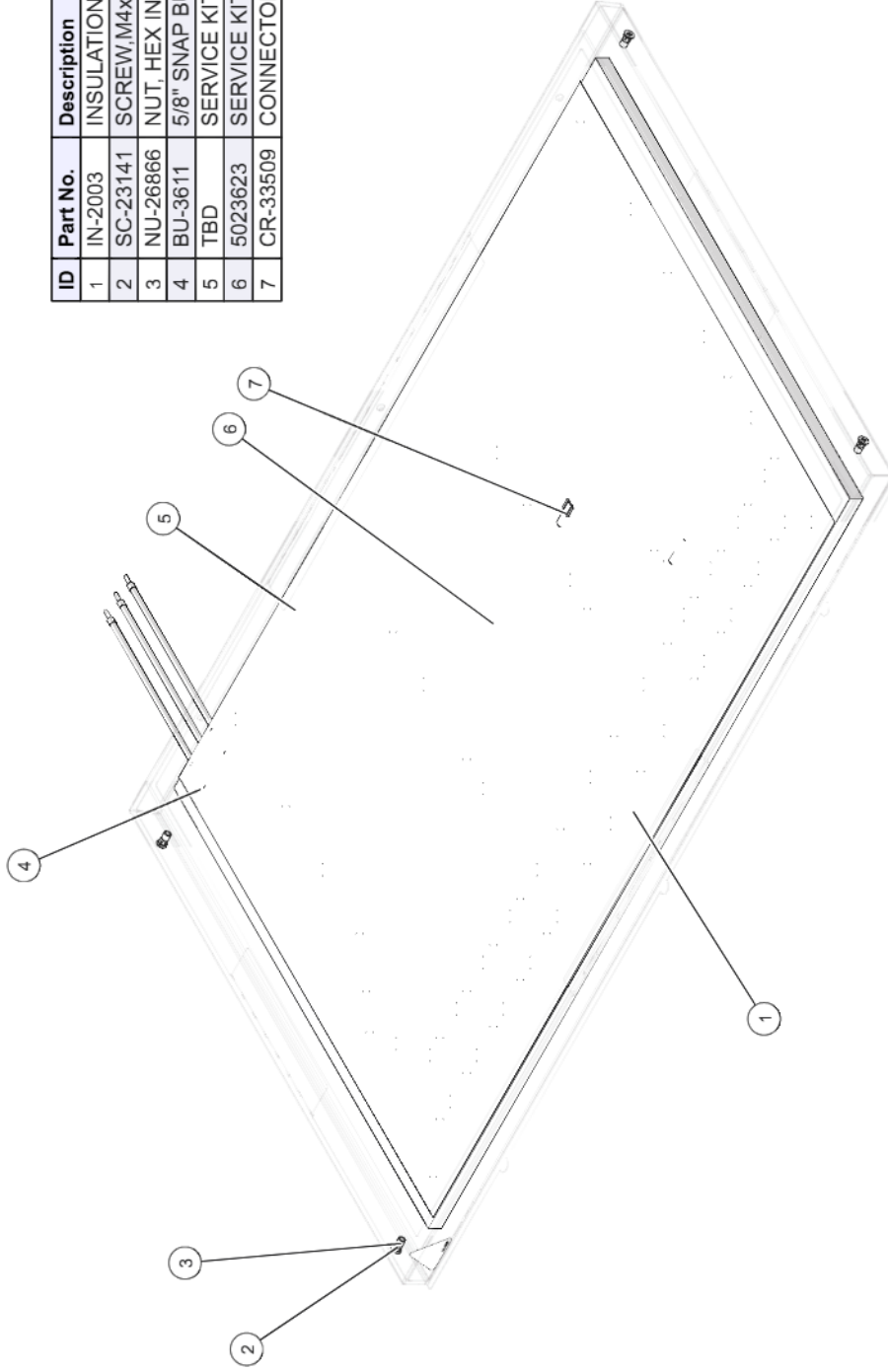
Base Shelf Assembly, HSM-24



| ID | Part No. | Description |
|----|----------|--------------------------------------|
| 1 | NU-26866 | NUT, HEX INSERT M4 |
| 2 | SC-23141 | SCREW,M4x0.7X14MM FLAT |
| 3 | BU-3419 | 3/8" BLACK HOLE BUSHING |
| 4 | 5032626 | KIT, FOIL PAD, 195W, 120V & 240V |
| 5 | IN-2003 | INSULATION,19" X 19.5" X 0.5" |
| 6 | TA-35836 | TAPE, ALUMINUM FOIL, 3" WIDE X 2" LG |
| 7 | 5023623 | SERVICE KIT, SHELF SENSOR |
| 8 | CR-33509 | CONNECTOR, QUICK DISCONNECT |

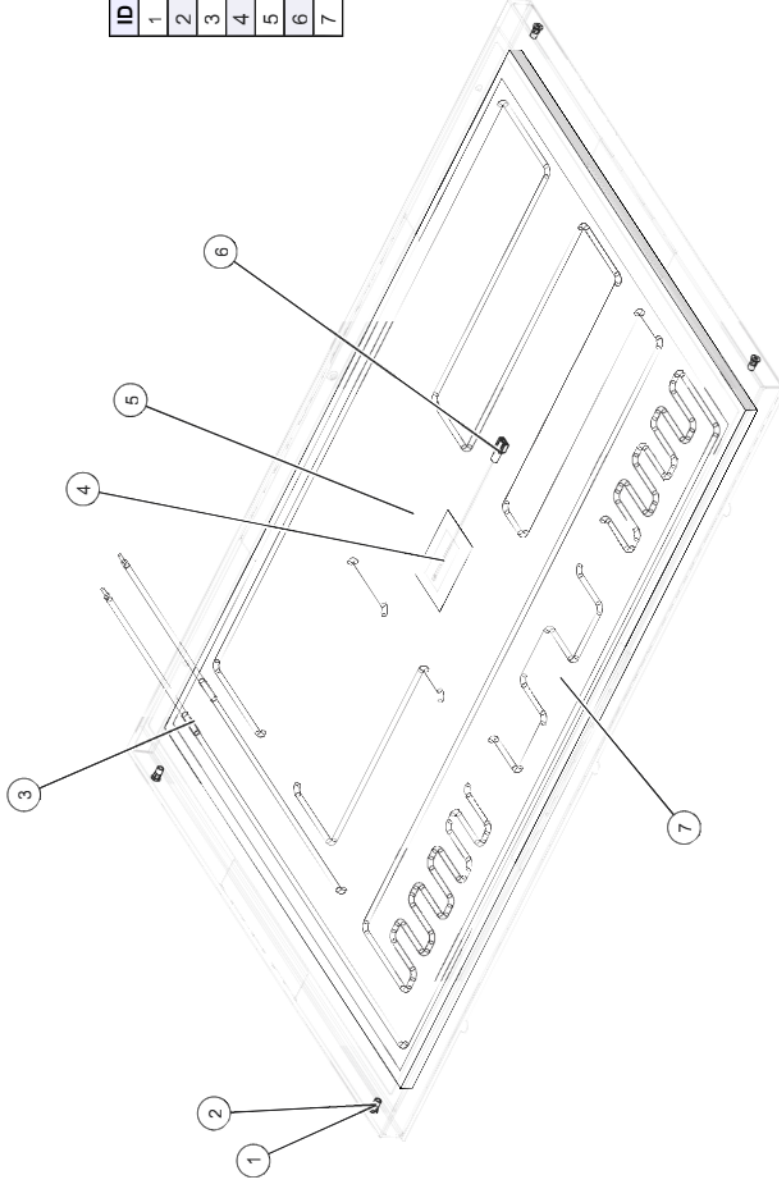
BASE SHELF ASSEMBLY, HSM-36 (120V)

Base Shelf Assembly, HSM-36 (120V)



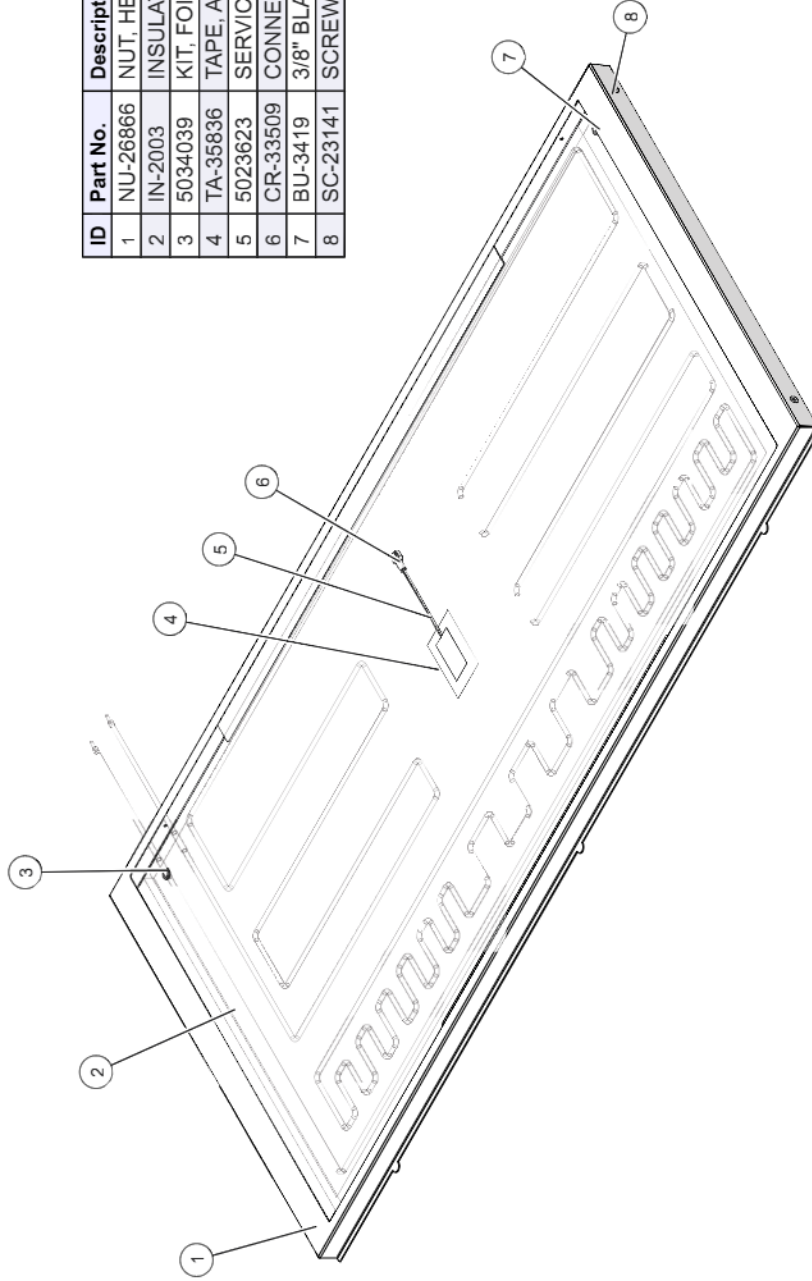
| ID | Part No. | Description |
|----|----------|--------------------------------|
| 1 | IN-2003 | INSULATION, 19" X 31.5" X 0.5" |
| 2 | SC-23141 | SCREW, M4x0.7X14MM FLAT |
| 3 | NU-26866 | NUT, HEX INSERT M4 |
| 4 | BU-3611 | 5/8" SNAP BUSHING BLACK |
| 5 | TBD | SERVICE KIT, FOIL PAD |
| 6 | 5023623 | SERVICE KIT, SHELF SENSOR |
| 7 | CR-33509 | CONNECTOR, QUICK DISCONNECT |

Base Shelf Assembly, HSM-36 (208-240V)



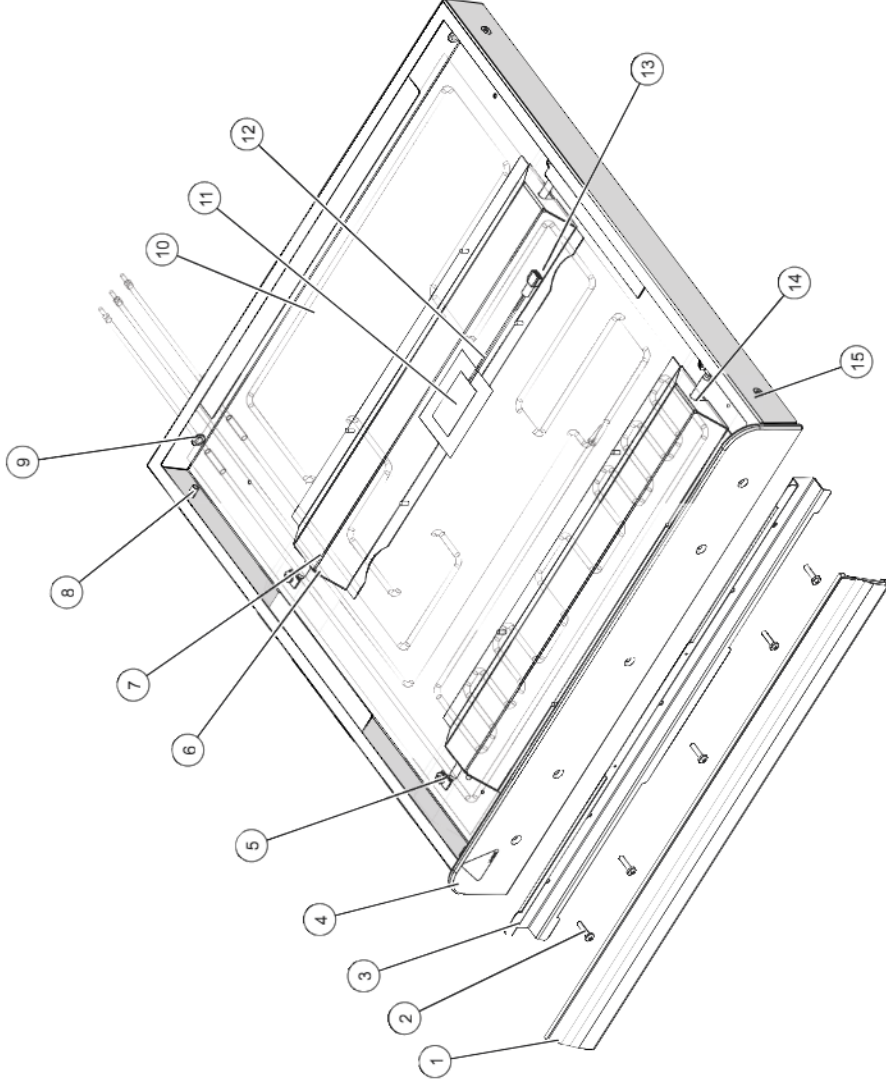
| ID | Part No. | Description |
|----|----------|----------------------------------|
| 1 | SC-23141 | SCREW, M4x0.7X14MM FLAT |
| 2 | NU-26866 | NUT, HEX INSERT M4 |
| 3 | BU-3419 | 3/8" BLACK HOLE BUSHING |
| 4 | 5023623 | SERVICE KIT, SHELF SENSOR |
| 5 | 5032604 | SERVICE KIT, FOIL PAD, 265W 240V |
| 6 | CR-33509 | CONNECTOR, QUICK DISCONNECT |
| 7 | IN-2003 | INSULATION, 19" X 31.5" X 0.5" |

Base Shelf Assembly, HSM-48



| ID | Part No. | Description |
|----|----------|--------------------------------------|
| 1 | NU-26866 | NUT, HEX INSERT M4 |
| 2 | IN-2003 | INSULATION, 19" X 43.5" X 0.5" |
| 3 | 5034039 | KIT, FOIL PAD, 353W 240V |
| 4 | TA-35836 | TAPE, ALUMINUM FOIL, 3" WIDE X 2" LG |
| 5 | 5023623 | SERVICE KIT, SHELF SENSOR |
| 6 | CR-33509 | CONNECTOR, QUICK DISCONNECT |
| 7 | BU-3419 | 3/8" BLACK HOLE BUSHING |
| 8 | SC-23141 | SCREW, M4x0.7X14MM FLAT |

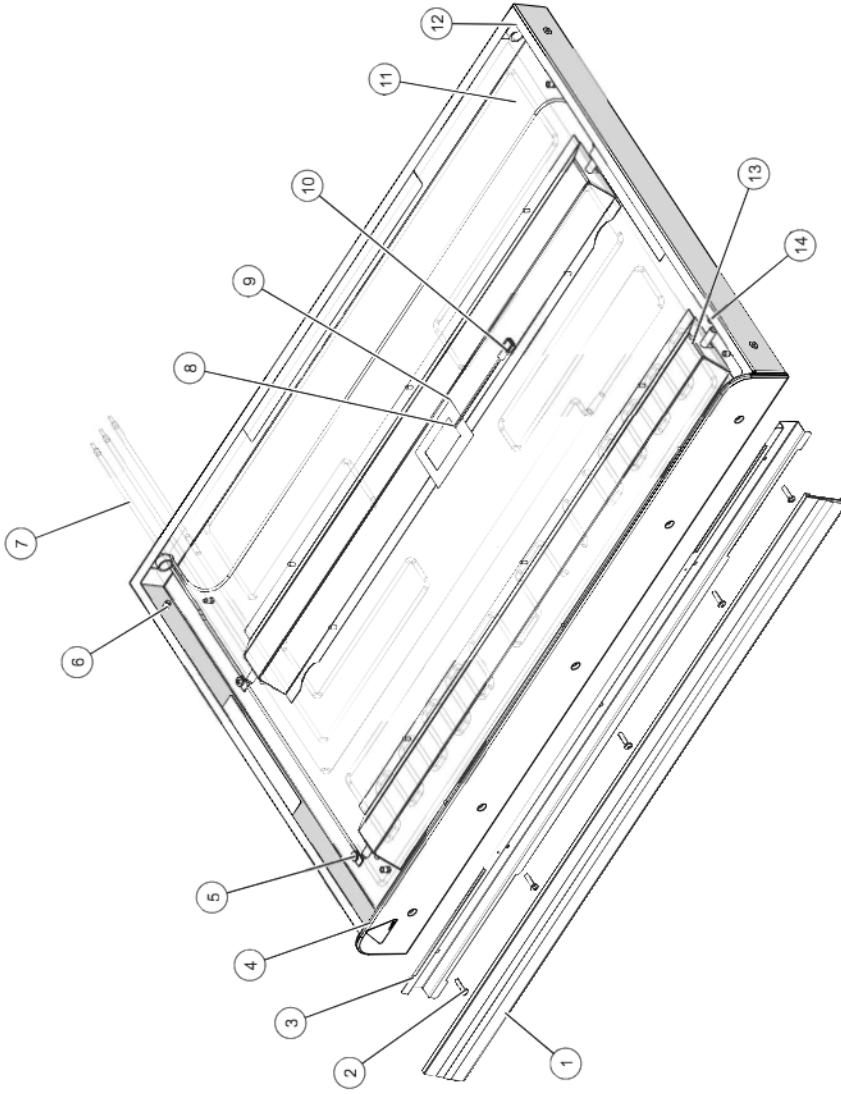
Heated Shelf Assembly, HSM-24



| ID | Part No. | Description |
|----|----------|--------------------------------------|
| 1 | GD-38897 | GUARD, SHELF, CLEAR |
| 2 | SC-38240 | SCREW,M4x0.7X16MM PAN |
| 3 | 1022864 | BRACKET, GUARD STANDOFF |
| 4 | GD-36676 | GUARD, LEXAN, SHELF, HSM-24 |
| 5 | SC-2070 | SCREW, 10-32 X 1/2" PAN |
| 6 | SC-22378 | 8-32 X 3/8" TRUSS HEAD SCREW |
| 7 | 5032627 | KIT, CALROD, 250W 240V |
| 8 | NU-26866 | NUT, HEX INSERT M4 |
| 9 | BU-3419 | 3/8" BLACK HOLE BUSHING |
| 10 | 5032626 | KIT, FOIL PAD, 120V & 240V |
| 11 | TA-35836 | TAPE, ALUMINUM FOIL, 3" WIDE X 2" LG |
| 12 | 5023623 | SVC KIT, SENSOR, 1000 OHM, RTD |
| 13 | CR-33509 | CONNECTOR, QUICK DISCONNECT |
| 14 | 1035855 | REFLECTOR, SM, BONNET, TOP HEAT |
| 15 | SC-23141 | SCREW,M4x0.7X14MM FLAT |

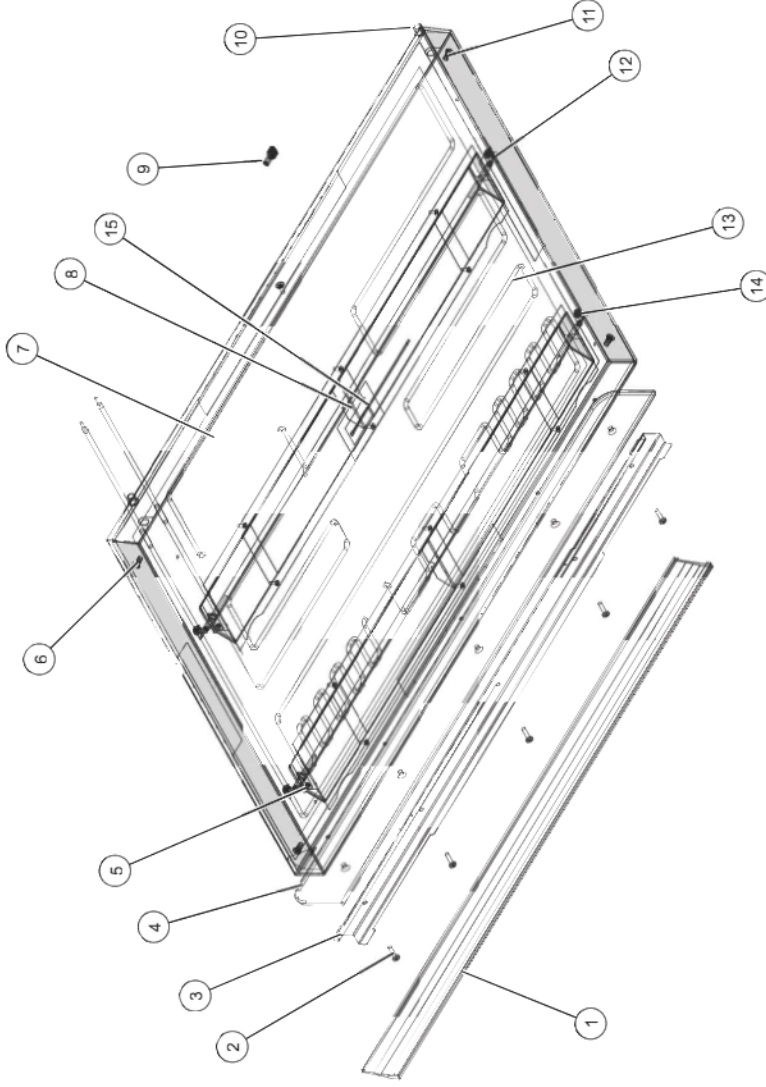
HEATED SHELF ASSEMBLY, HSM-36 (120V)

Heated Shelf Assembly, HSM-36 (120V)



| ID | Part No. | Description |
|----|----------|------------------------------------------|
| 1 | GD-38571 | GUARD KIT, SHELF, CLEAR |
| 2 | SC-38240 | SCREW,M4X0.7X16MM PAN |
| 3 | 1022493 | BRACKET, GUARD STANDOFF |
| 4 | SC-23141 | SCREW,M4X0.7X14MM FLAT |
| 5 | SC-26791 | SCREW, 10-32 X 1/4" PAN |
| 6 | NU-26886 | NUT, HEX INSERT M4 |
| 7 | EL-47763 | KIT, FOIL PAD, 265W |
| 8 | 5032623 | SENSOR KIT, 1000 OHM, 200C RTD |
| 9 | TA-35836 | TAPE, ALUMINUM FOIL, 3" WIDE X 2" LG |
| 10 | CR-33509 | CONNECTOR, QUICK DISCONNECT |
| 11 | 1035500 | INSULATION, SHELF, TOP HEAT |
| 12 | BU-3611 | 5/8" SNAP BUSHING BLACK |
| 13 | 1034658 | REFLECTOR, SM, BONNET,TOP HEAT |
| 14 | EL-47748 | ELEMENT, CALROD, 245W 120V |
| 15 | 5032639 | WIRE ASSEMBLY, 120V/208-240V (not shown) |

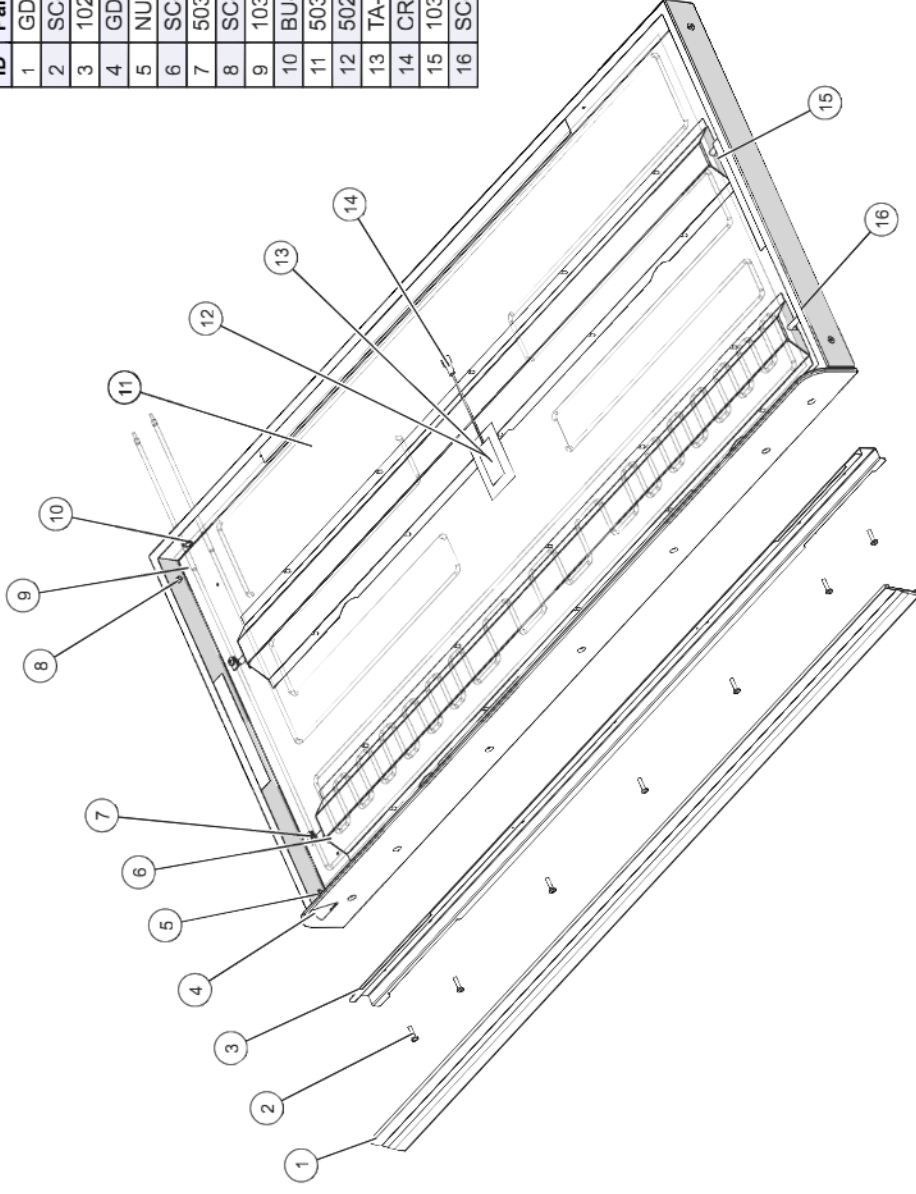
Heated Shelf Assembly, HSM-36 (208-240V)



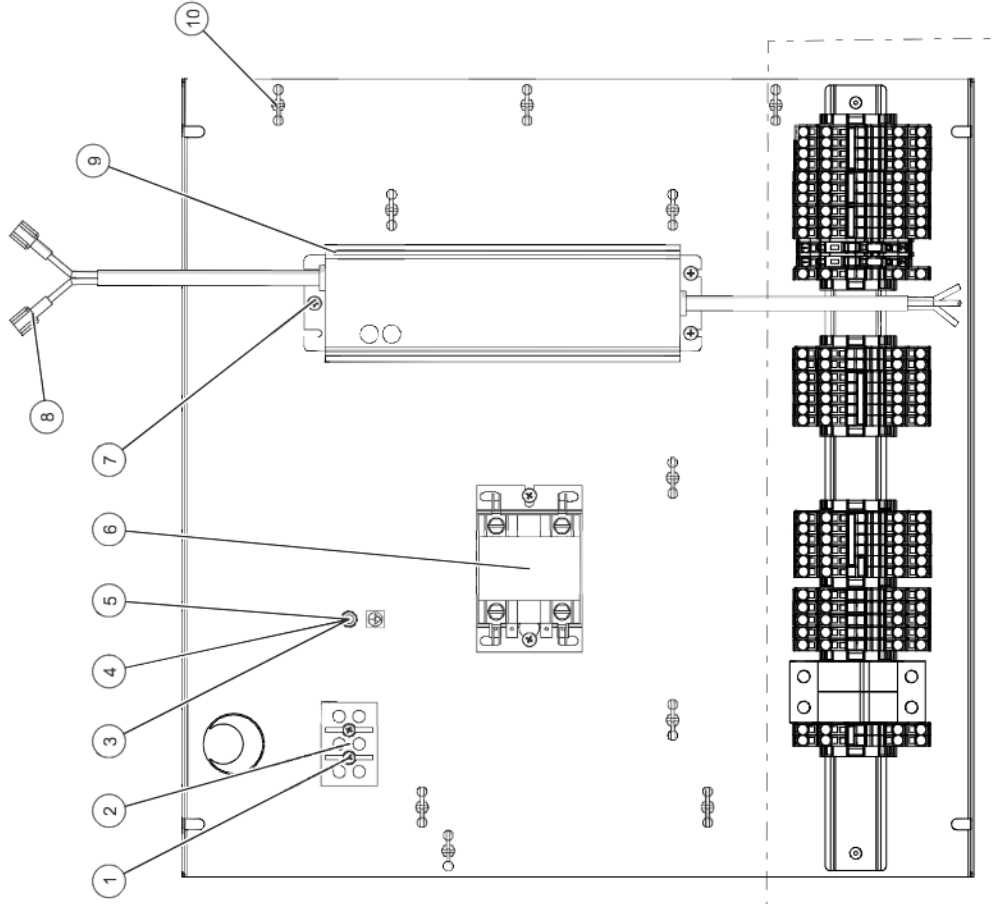
| ID | Part No. | Description |
|----|-----------|---------------------------------------------|
| 1 | GD-38571 | GUARD KIT, SHELF, CLEAR |
| 2 | SC-38240 | SCREW, M4X0.7X16MM PAN |
| 3 | 1022493 | BRACKET, GUARD STANDOFF |
| 4 | GD-36677 | GUARD, LEXAN, SHELF, HSM-36 |
| 5 | SC-22378 | 8-32 X 3/8" TRUSS HEAD SCREW |
| 6 | SC-23141 | SCREW, M4X0.7X14MM FLAT |
| 7 | EL-47198 | KIT, FOIL PAD, 265W 240V |
| 8 | TA-35836 | TAPE, ALUMINUM FOIL, 3" WIDE X 2" LG |
| 9 | CR-33509 | CONNECTOR, QUICK DISCONNECT |
| 10 | BU-3419 | 3/8" BLACK HOLE BUSHING |
| 11 | NUJ-26866 | NUT, HEX INSERT M4 |
| 12 | EL-47199 | KIT, CALROD, 250W 240V |
| 13 | 1035500 | INSULATION, SHELF, TOP HEAT |
| 14 | SC-2070 | SCREW, 10-32 X 1/2" PAN |
| 15 | 5032623 | SENSOR KIT, 1000 OHM, 200C, RTD |
| 16 | 5032639 | WIRE ASSEMBLY, 208-240V, COMMON (not shown) |

Heated Shelf Assembly, HSM-48

| ID | Part No. | Description |
|----|----------|--------------------------------------|
| 1 | GD-38898 | GUARD, SHELF, CLEAR |
| 2 | SC-38240 | SCREW,M4X0.7X16MM PAN |
| 3 | 1022865 | BRACKET, GUARD STANDOFF |
| 4 | GD-37136 | GUARD, LEXAN, SHELF, HSM-48 |
| 5 | NU-26866 | NUT, HEX INSERT M4 |
| 6 | SC-22378 | 8-32 X 3/8" TRUSS HEAD SCREW |
| 7 | 5034044 | KIT, CALROD, 333W 240V |
| 8 | SC-23141 | SCREW,M4X0.7X14MM FLAT |
| 9 | 1036282 | INSULATION, SHELF, TOP HEAT |
| 10 | BU-3419 | 3/8" BLACK HOLE BUSHING |
| 11 | 5034039 | KIT, FOIL PAD, 353W 240V |
| 12 | 5023623 | SERVICE KIT, SHELF SENSOR |
| 13 | TA-35836 | TAPE, ALUMINUM FOIL, 3" WIDE X 2" LG |
| 14 | CR-33509 | CONNECTOR, QUICK DISCONNECT |
| 15 | 1036280 | REFLECTOR, SM, BONNET,TOP HEAT |
| 16 | SC-2070 | SCREW, 10-32 X 1/2" PAN |

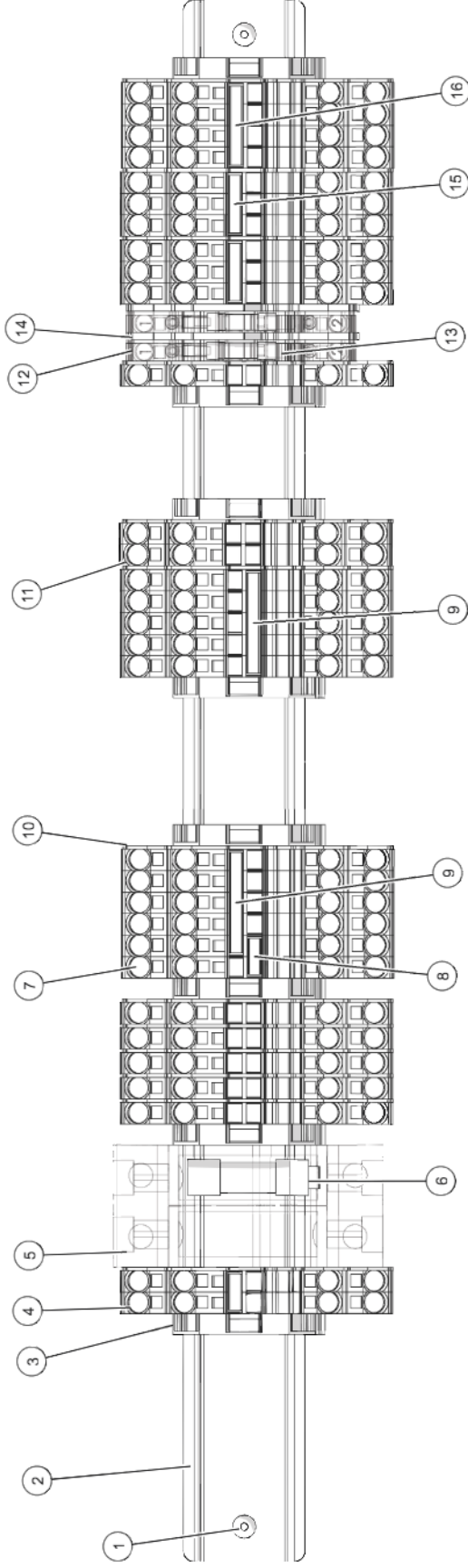


Electronic Components Package, High Wattage, 208/240V 1PH



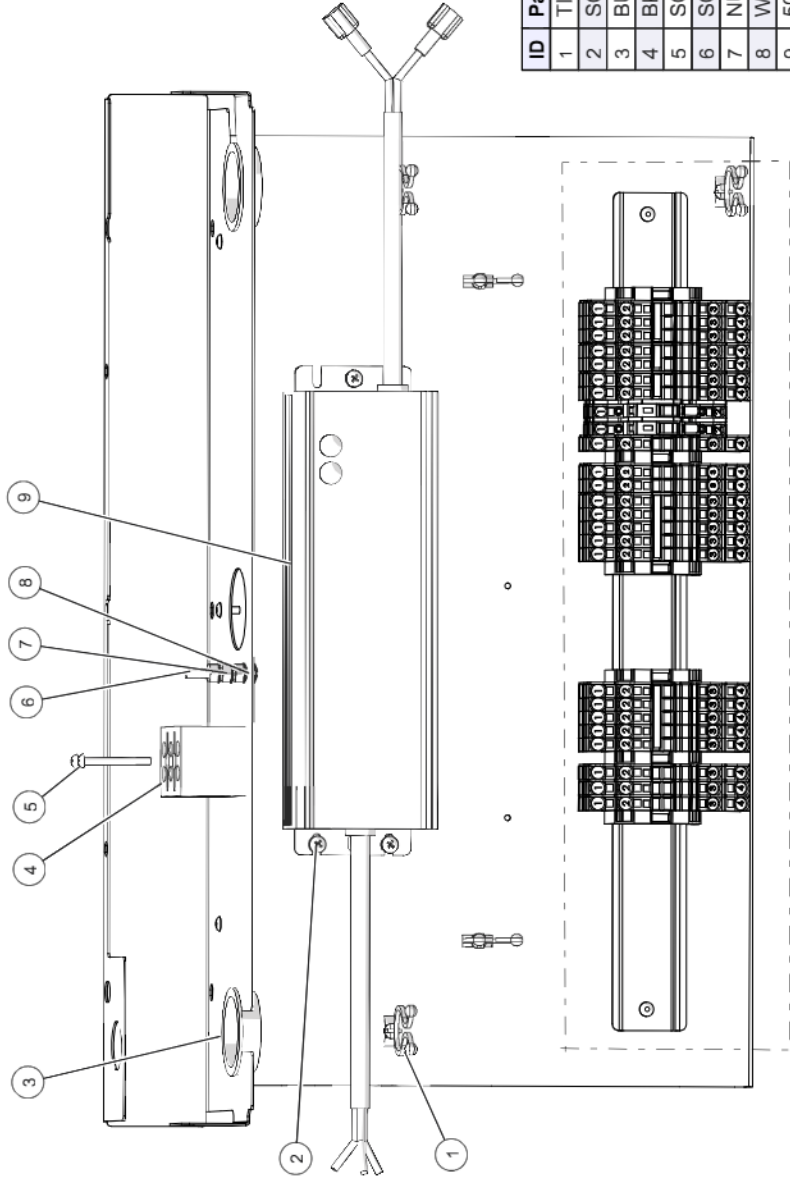
| ID | Part No. | Description |
|----|-----------|----------------------------------|
| 1 | SC-2365 | SCREW, 6-32 X 1-1/4" PAN |
| 2 | BK-3019 | T-BLOCK |
| 3 | WS-2467 | WASHER, INT. LOCK |
| 4 | SC-38128 | SCREW,PAN PH, METRIC, M5 |
| 5 | NUJ-36234 | NUT, M5, KEPS |
| 6 | CN-3052 | CONTACTOR 208/240V 3 POLE 25 AMP |
| 7 | SC-22273 | SCREW,M4x0.7X10MM PAN |
| 8 | CR-34637 | CONNECTOR, INSULATED, QK DISC |
| 9 | 5020740 | POWER SUPPLY WITH CONNECTORS |
| 10 | TI-35719 | TIE, TWIST LOCK 0.5" STANDOFF |

DIN Rail and Terminals, High Wattage, 208/240V 1PH



| ID | Part No. | Description | Qty |
|----|----------|-------------------------------|-----|
| 1 | RI-38125 | RIVET,SEALED,,125" | 2 |
| 2 | 1013459 | DIN RAIL,SOLID SURFACE, 450MM | 1 |
| 3 | TM-39606 | TERMINAL, SCREWLESS END | 8 |
| 4 | TM-39574 | TERMINAL, 6mm, ORANGE, SPRING | 19 |
| 5 | FU-34771 | FUSE HOLDER, 2 BANK | 1 |
| 6 | FU-34938 | FUSE, 3 AMP | 1 |
| 7 | TM-39575 | TERMINAL, 6mm, BLUE, SPRING | 10 |
| 8 | TM-39585 | JUMPER, 2 POLE | 2 |
| 9 | TM-39582 | JUMPER, 5 POLE | 2 |
| 10 | TM-39576 | TERMINAL, END SECTION, SPRING | 13 |
| 11 | TM-39579 | TERMINAL,GROUND, 6mm, SPRING | 2 |
| 12 | TM-39577 | TERMINAL, FUSE HOLDER, | 2 |
| 13 | FU-33452 | NEOZED, 6.3 AMP | 2 |
| 14 | TM-39578 | TERMINAL, END PLATE | 2 |
| 15 | TM-39584 | JUMPER, 3 POLE | 2 |
| 16 | TM-39583 | JUMPER, 4 POLE | 1 |

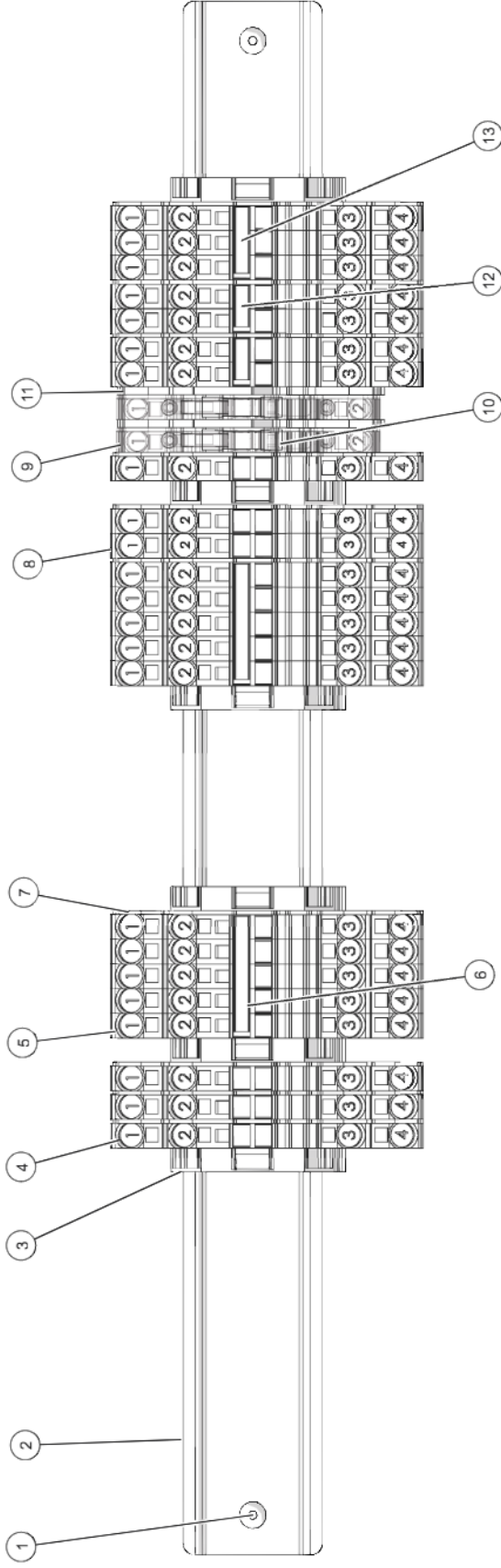
Electronic Components Package, HSM-24/3S/T (120V)



| ID | Part No. | Description |
|----|-----------|-------------------------------|
| 1 | TI-35719 | TIE, TWIST LOCK 0.5" STANDOFF |
| 2 | SC-22271 | SCREW, M4x0.7X6MM PAN |
| 3 | BU-3013 | BUSHING, SNAP, 1 1/2" |
| 4 | BK-3019 | T-BLOCK |
| 5 | SC-2365 | SCREW, 6-32 X 1-1/4" PAN |
| 6 | SC-38128 | SCREW, PAN PH, METRIC, M5 |
| 7 | NUJ-36234 | NUT, M5, KEPS |
| 8 | WS-2467 | WASHER, INT. LOCK |
| 9 | 5020740R | POWER SUPPLY WITH CONNECTORS |

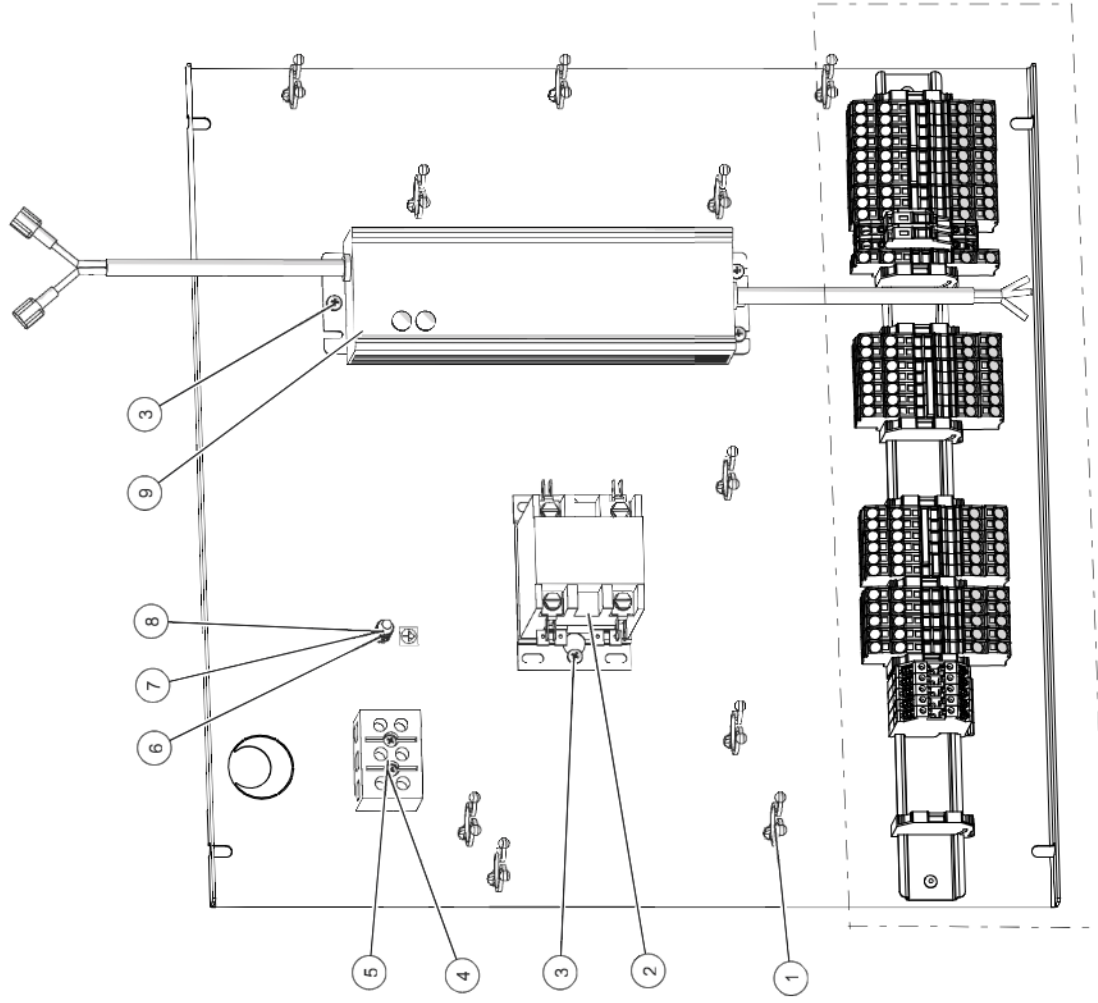
DIN RAIL AND TERMINALS, HSM-24/3S/T (120V)

DIN Rail and Terminals, HSM-24/3S/T (120V)



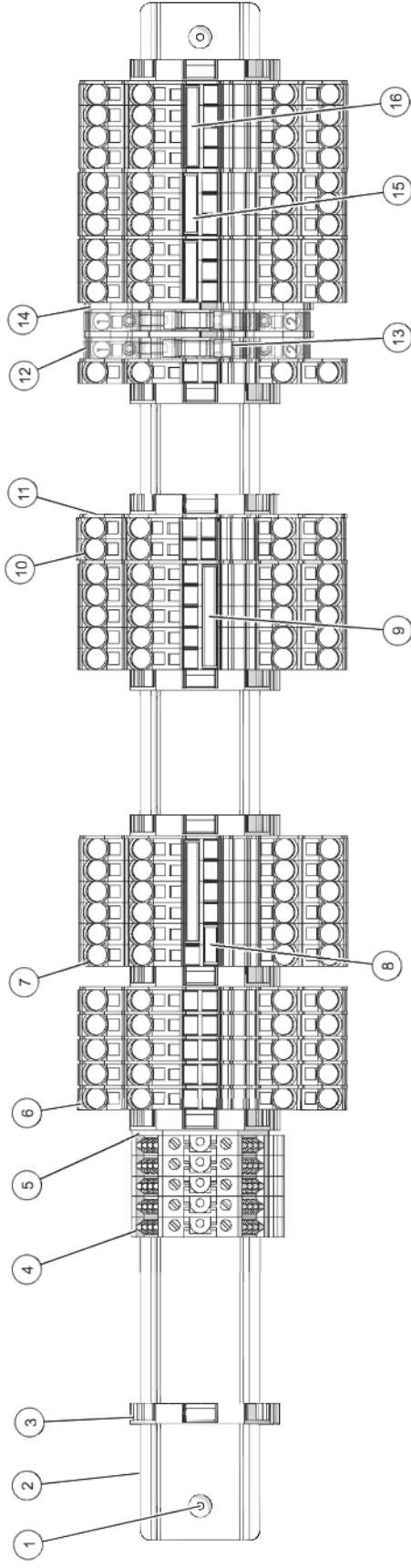
| ID | Part No. | Description | Qty |
|----|----------|-------------------------------|-----|
| 1 | RI-38125 | RIVET,SEALED, .125" | 2 |
| 2 | 1013636 | DIN RAIL,SOLID SURFACE, 390MM | 1 |
| 3 | TM-39606 | TERMINAL, SCREWLESS END | 6 |
| 4 | TM-39574 | TERMINAL, 6mm, ORANGE, SPRING | 13 |
| 5 | TM-39575 | TERMINAL, 6mm, BLUE, SPRING | 8 |
| 6 | TM-39582 | JUMPER, 5 POLE | 2 |
| 7 | TM-39576 | TERMINAL, END SECTION, SPRING | 10 |
| 8 | TM-39579 | TERMINAL,GROUND, 6mm, SPRING | 2 |
| 9 | TM-39577 | TERMINAL, FUSE HOLDER, | 2 |
| 10 | FU-33452 | NEOZED, 6.3 AMP | 2 |
| 11 | TM-39578 | TERMINAL, END PLATE | 2 |
| 12 | TM-39585 | JUMPER, 2 POLE | 2 |
| 13 | TM-39584 | JUMPER, 3 POLE | 1 |

Electronic Components Package, HSM-24 (208-240V)



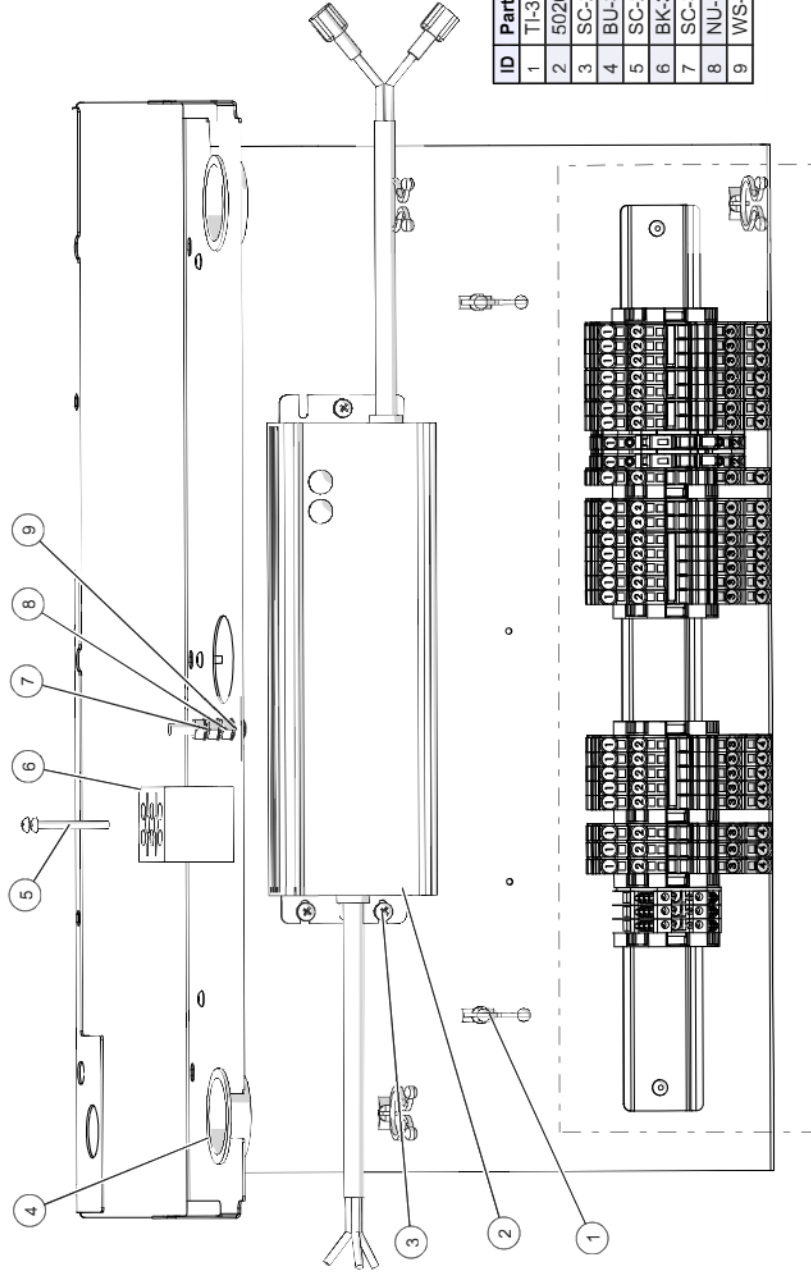
| ID | Part No. | Description |
|----|----------|----------------------------------|
| 1 | TI-35719 | TIE, TWIST LOCK 0.5" STANDOFF |
| 2 | CN-3052 | CONTACTOR 208/240V 3 POLE 25 AMP |
| 3 | SC-22273 | SCREW,M4x0.7X10MM PAN |
| 4 | SC-2365 | SCREW, 6-32 X 1-1/4" PAN |
| 5 | BK-3019 | T-BLOCK |
| 6 | WS-2467 | WASHER, INT. LOCK |
| 7 | NU-36234 | NUT, M5, KEPS |
| 8 | SC-38128 | SCREW,PAN PH, METRIC, M5 |
| 9 | 5020740R | POWER SUPPLY WITH CONNECTORS |

DIN Rail and Terminals, HSM-24 (208-240V)



| ID | Part No. | Description | Qty |
|----|----------|-------------------------------|-----|
| 1 | RI-38125 | RIVET,SEALED, .125" | 2 |
| 2 | 1013459 | DIN RAIL,SOLID SURFACE, 450MM | 1 |
| 3 | TM-39606 | TERMINAL, SCREWLESS END | 8 |
| 4 | TM-47506 | TERMINAL, 6MM, 32A, 800V | 5 |
| 5 | TM-47507 | END PLATE, 6MM TERMINAL | 1 |
| 6 | TM-39574 | TERMINAL, 6mm, ORANGE, SPRING | 17 |
| 7 | TM-39575 | TERMINAL, 6mm, BLUE, SPRING | 10 |
| 8 | TM-39585 | JUMPER, 2 POLE | 1 |
| 9 | TM-39582 | JUMPER, 5 POLE | 2 |
| 10 | TM-39579 | TERMINAL,GROUND, 6mm, SPRING | 2 |
| 11 | TM-39576 | TERMINAL, END SECTION, SPRING | 12 |
| 12 | TM-39577 | TERMINAL, FUSE HOLDER, | 2 |
| 13 | FU-33452 | NEOZED, 6.3 AMP | 2 |
| 14 | TM-39578 | TERMINAL, END PLATE | 2 |
| 15 | TM-39584 | JUMPER, 3 POLE | 2 |
| 16 | TM-39583 | JUMPER, 4 POLE | 1 |

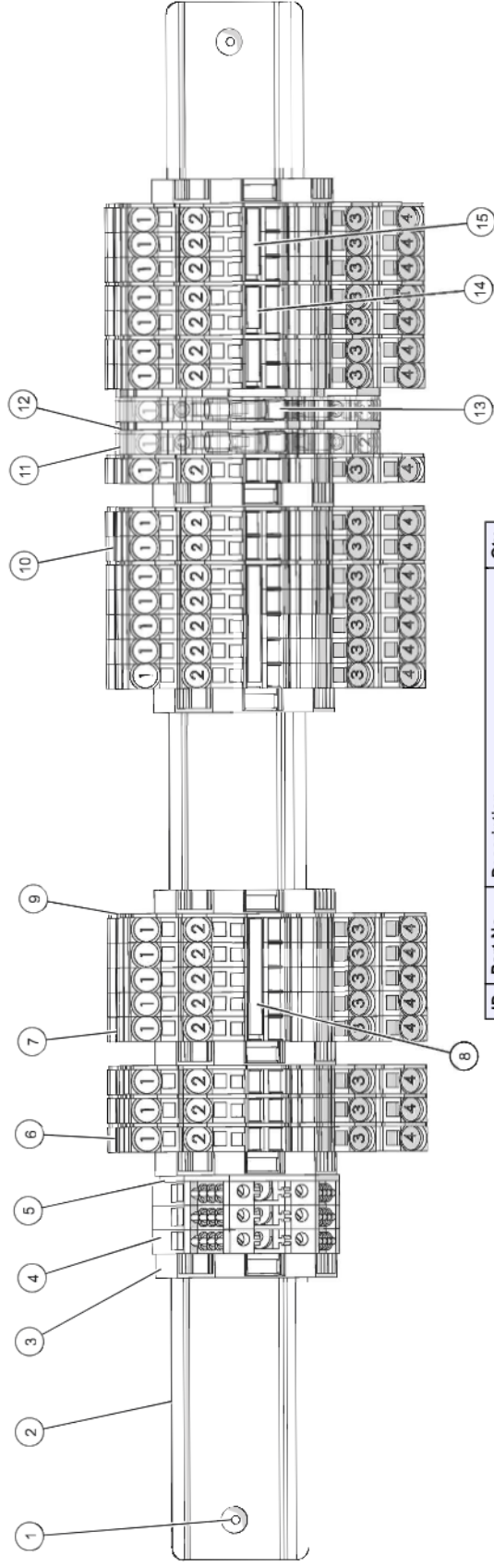
Electronic Components Package, HSM-24/3S/T (208-240V 1PH)



| ID | Part No. | Description |
|----|-----------|-------------------------------|
| 1 | TI-35719 | TIE, TWIST LOCK 0.5" STANDOFF |
| 2 | 5020740R | POWER SUPPLY WITH CONNECTORS |
| 3 | SC-22271 | SCREW, M4x0.7X6MM PAN |
| 4 | BU-3013 | BUSHING, SNAP, 1 1/2" |
| 5 | SC-2365 | SCREW, 6-32 X 1-1/4" PAN |
| 6 | BK-3019 | T-BLOCK |
| 7 | SC-38128 | SCREW, PAN PH, METRIC, M5 |
| 8 | NUJ-36234 | NUT, M5, KEPS |
| 9 | WS-2467 | WASHER, INT. LOCK |

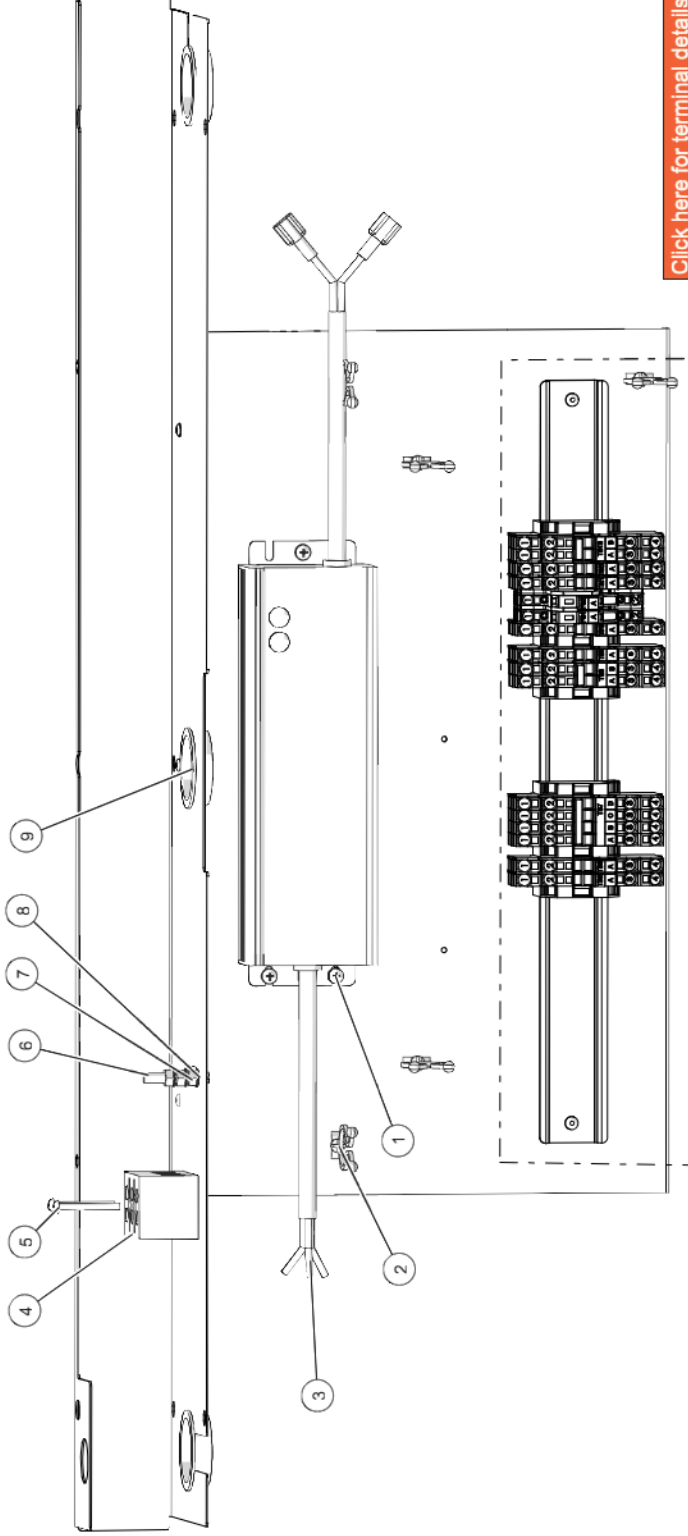
DIN RAIL AND TERMINALS, HSM-24/3S/T (208-240V 1PH)

DIN Rail and Terminals, HSM-24/3S/T (208-240V 1PH)



| ID | Part No. | Description | Qty |
|----|----------|-------------------------------|-----|
| 1 | RI-38125 | RIVET,SEALED.,.125" | 2 |
| 2 | 1013636 | DIN RAIL,SOLID SURFACE, 390MM | 1 |
| 3 | TM-39606 | TERMINAL, SCREWLESS END | 7 |
| 4 | TM-47506 | TERMINAL, 6MM, 32A, 800V | 3 |
| 5 | TM-47507 | END PLATE, 6MM TERMINAL | 1 |
| 6 | TM-39574 | TERMINAL, 6mm, ORANGE, SPRING | 13 |
| 7 | TM-39575 | TERMINAL, 6mm, BLUE, SPRING | 8 |
| 8 | TM-39582 | JUMPER, 5 POLE | 2 |
| 9 | TM-39576 | TERMINAL, END SECTION, SPRING | 10 |
| 10 | TM-39579 | TERMINAL,GROUND, 6mm, SPRING | 2 |
| 11 | TM-39577 | TERMINAL, FUSE HOLDER, | 2 |
| 12 | TM-39578 | TERMINAL, END PLATE | 2 |
| 13 | FU-33452 | NEOZED, 6.3 AMP | 2 |
| 14 | TM-39585 | JUMPER, 2 POLE | 2 |
| 15 | TM-39584 | JUMPER, 3 POLE | 1 |

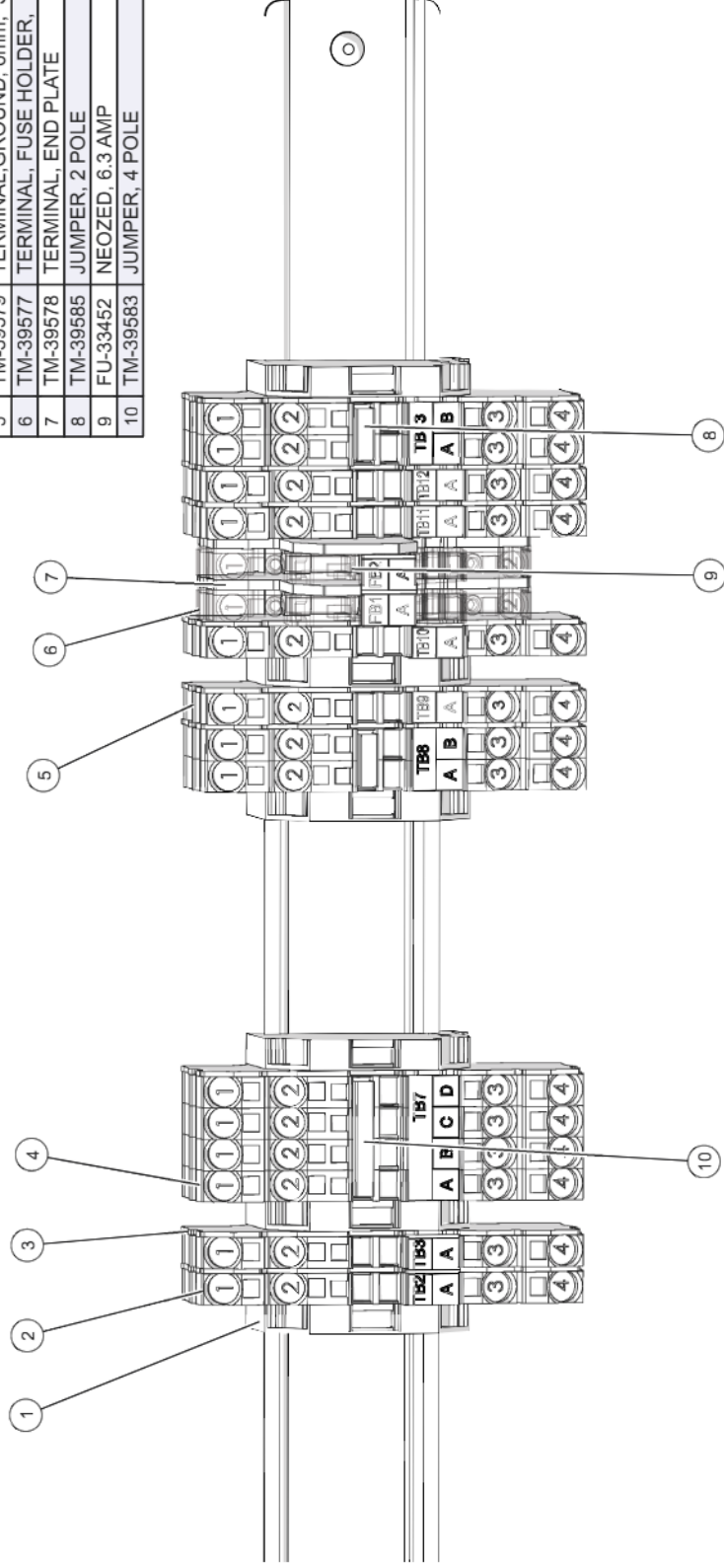
Electronic Components Package, HSM-36/2S (120V 1PH)



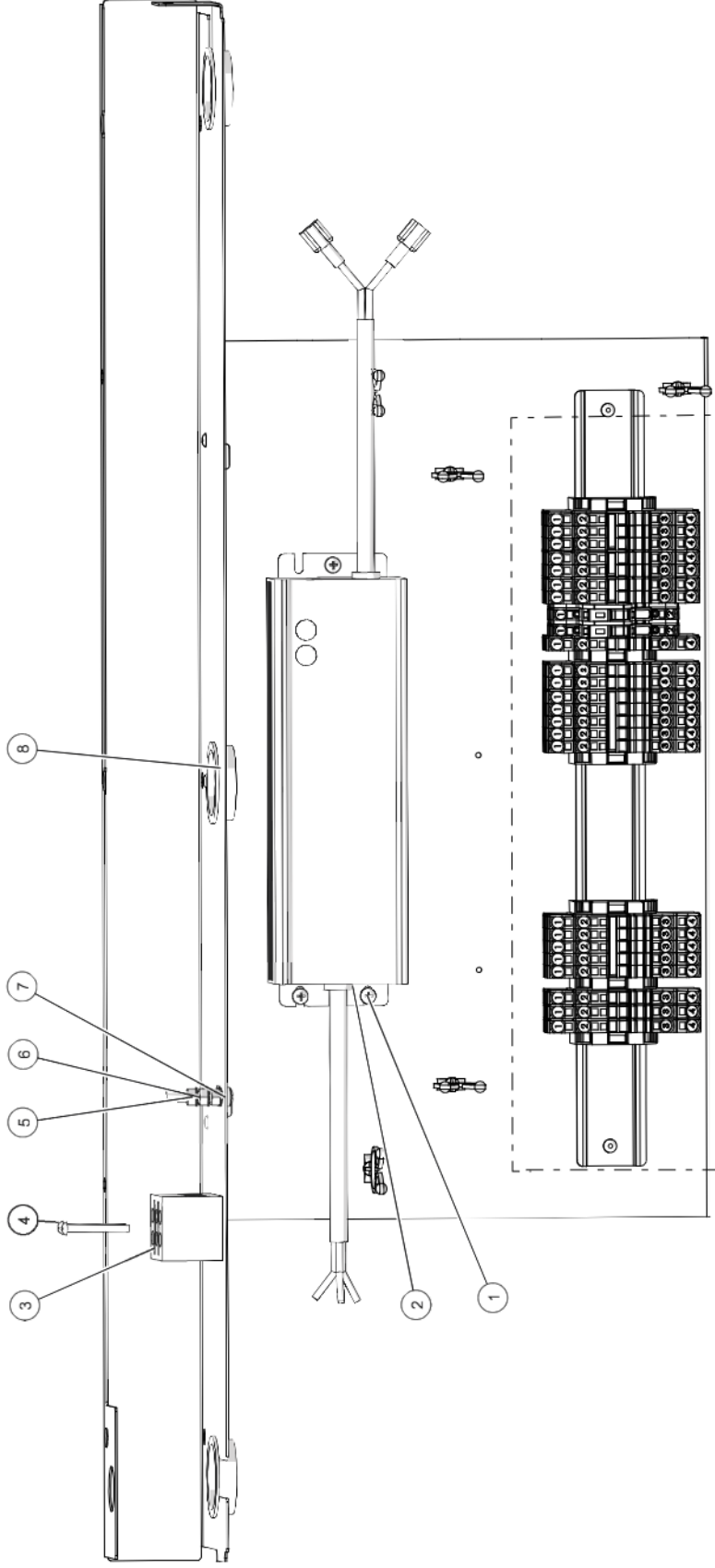
| ID | Part No. | Description |
|----|----------|-------------------------------|
| 1 | SC-22271 | SCREW,M4x0.7X6MM PAN |
| 2 | TI-35719 | TIE, TWIST LOCK 0.5" STANDOFF |
| 3 | 5020740 | POWER SUPPLY W/CONNECTORS |
| 4 | BK-3019 | T-BLOCK |
| 5 | SC-2365 | SCREW, 6-32 X 1-1/4" PAN |
| 6 | SC-38128 | SCREW,PAN PH, METRIC, M5 |
| 7 | NU-36234 | NUT, M5, KEPS |
| 8 | WS-2467 | WASHER, INT. LOCK |
| 9 | BU-3013 | BUSHING,SNAP,1 1/2" |

DIN Rail and Terminals, HSM-36/2S (120V 1PH)

| ID | Part No. | Description | Qty |
|----|----------|-------------------------------|-----|
| 1 | TM-39606 | TERMINAL, SCREWLESS END | 6 |
| 2 | TM-39574 | TERMINAL, 6mm, ORANGE, SPRING | 7 |
| 3 | TM-39576 | TERMINAL, END SECTION, SPRING | 9 |
| 4 | TM-39575 | TERMINAL, 6mm, BLUE, SPRING | 6 |
| 5 | TM-39579 | TERMINAL, GROUND, 6mm, SPRING | 1 |
| 6 | TM-39577 | TERMINAL, FUSE HOLDER, | 2 |
| 7 | TM-39578 | TERMINAL, END PLATE | 2 |
| 8 | TM-39585 | JUMPER, 2 POLE | 2 |
| 9 | FU-33452 | NEOZED, 6.3 AMP | 2 |
| 10 | TM-39583 | JUMPER, 4 POLE | 1 |



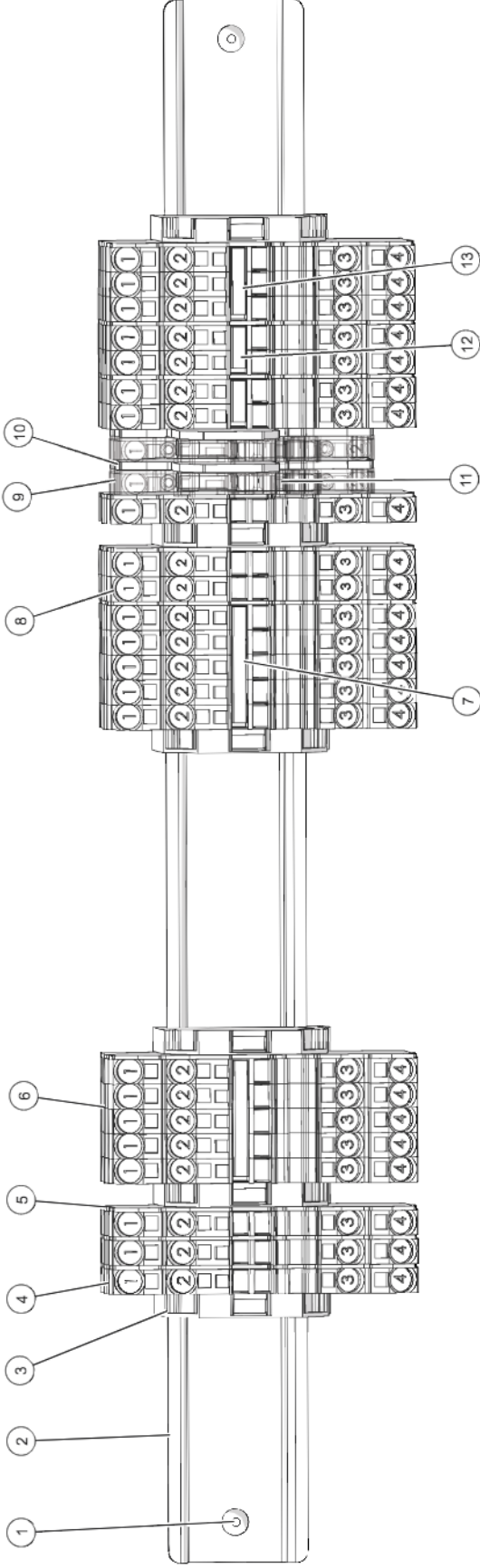
Electronic Components Package, HSM-36/3S (208-240V 1PH)



| ID | Part No. | Description |
|----|----------|------------------------------|
| 1 | SC-22271 | SCREW,M4x0.7X6MM PAN |
| 2 | 5020740R | POWER SUPPLY WITH CONNECTORS |
| 3 | BK-3019 | T-BLOCK |
| 4 | SC-2365 | SCREW, 6-32 X 1-1/4" PAN |
| 5 | NU-36234 | NUT, M5, KEPS |
| 6 | SC-38128 | SCREW,PAN PH, METRIC, M5 |
| 7 | WS-2467 | WASHER, INT. LOCK |
| 8 | BU-3013 | BUSHING,SNAP,1 1/2" |

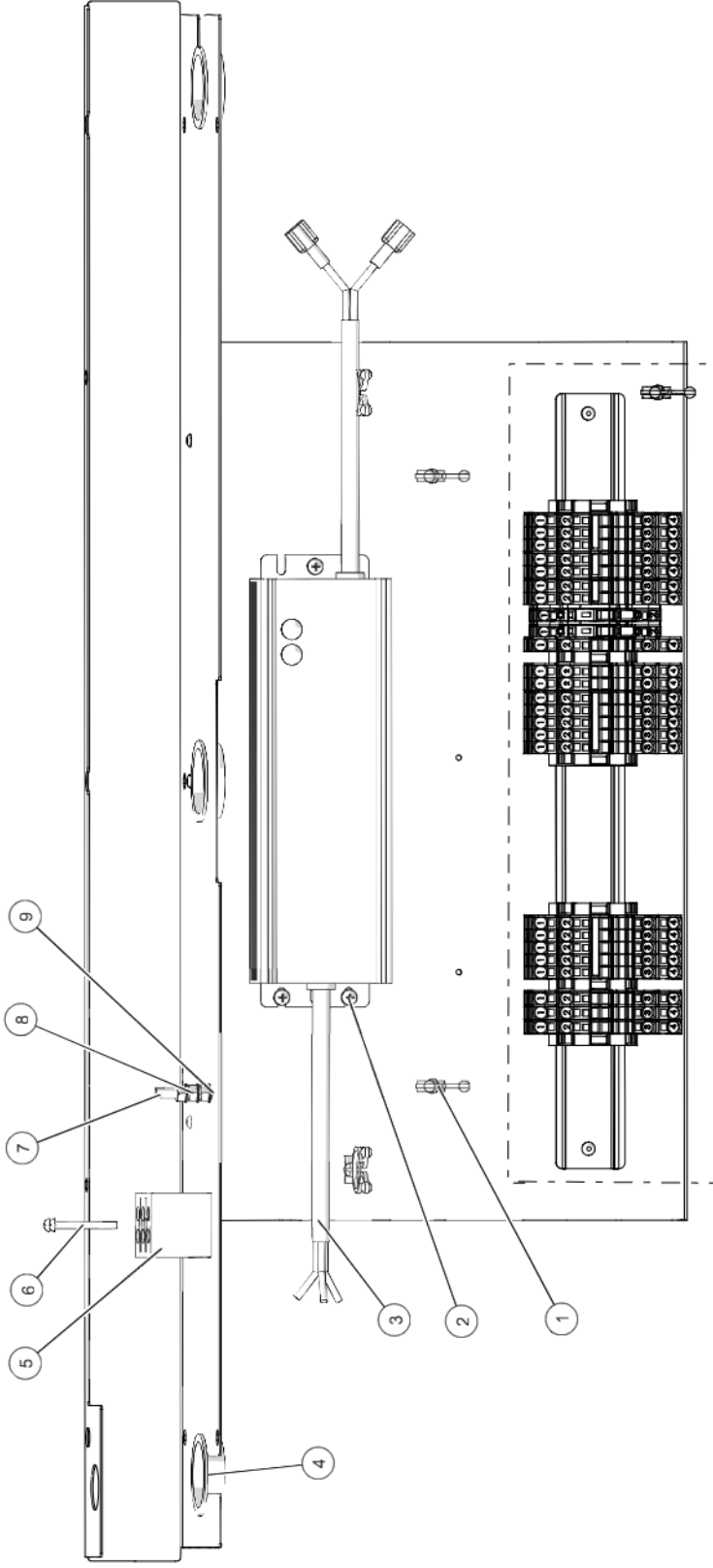
DIN RAIL AND TERMINALS, HSM-36/3S (208-240V 1PH)

DIN Rail and Terminals, HSM-36/3S (208-240V 1PH)



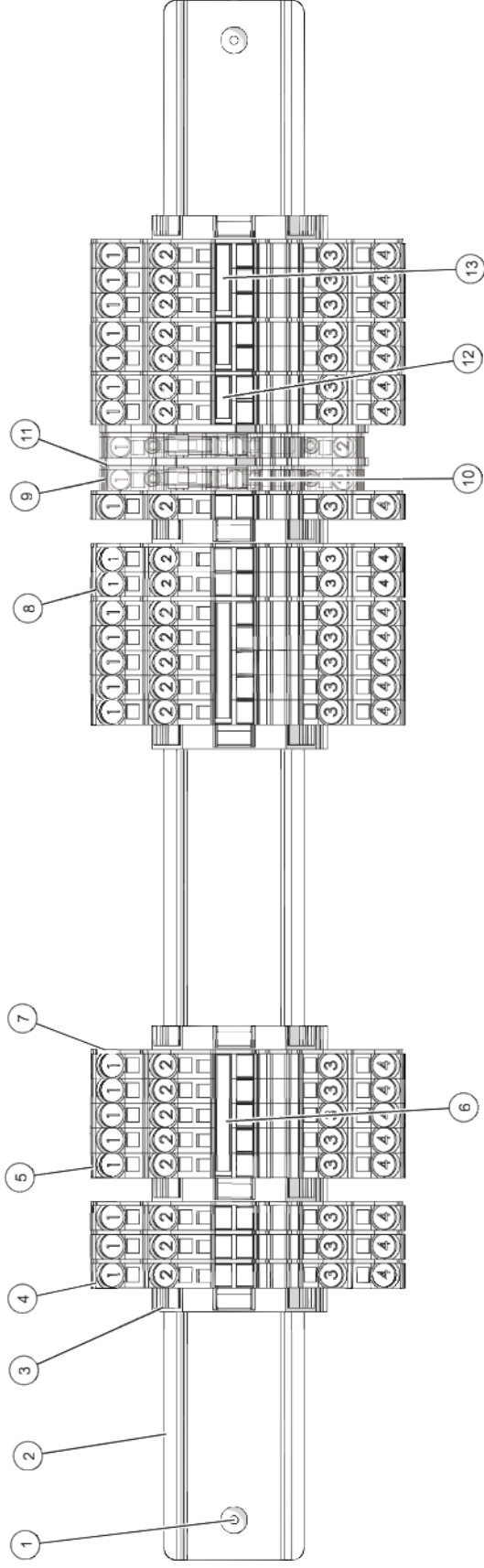
| ID | Part No. | Description | Qty |
|----|----------|--------------------------------|-----|
| 1 | RI-38125 | RIVET SEALED, .125" | 2 |
| 2 | 1013636 | DIN RAIL, SOLID SURFACE, 390MM | 1 |
| 3 | TM-39606 | TERMINAL, SCREWLESS END | 6 |
| 4 | TM-39574 | TERMINAL, 6mm, ORANGE, SPRING | 13 |
| 5 | TM-39576 | TERMINAL, END SECTION, SPRING | 10 |
| 6 | TM-39575 | TERMINAL, 6mm, BLUE, SPRING | 8 |
| 7 | TM-39582 | JUMPER, 5 POLE | 2 |
| 8 | TM-39579 | TERMINAL, GROUND, 6mm, SPRING | 2 |
| 9 | TM-39577 | TERMINAL, FUSE HOLDER, | 2 |
| 10 | TM-39578 | TERMINAL, END PLATE | 2 |
| 11 | FU-33452 | NEOZED, 6.3 AMP | 2 |
| 12 | TM-39585 | JUMPER, 2 POLE | 2 |
| 13 | TM-39584 | JUMPER, 3 POLE | 1 |

Electronic Components Package, HSM-36/CT



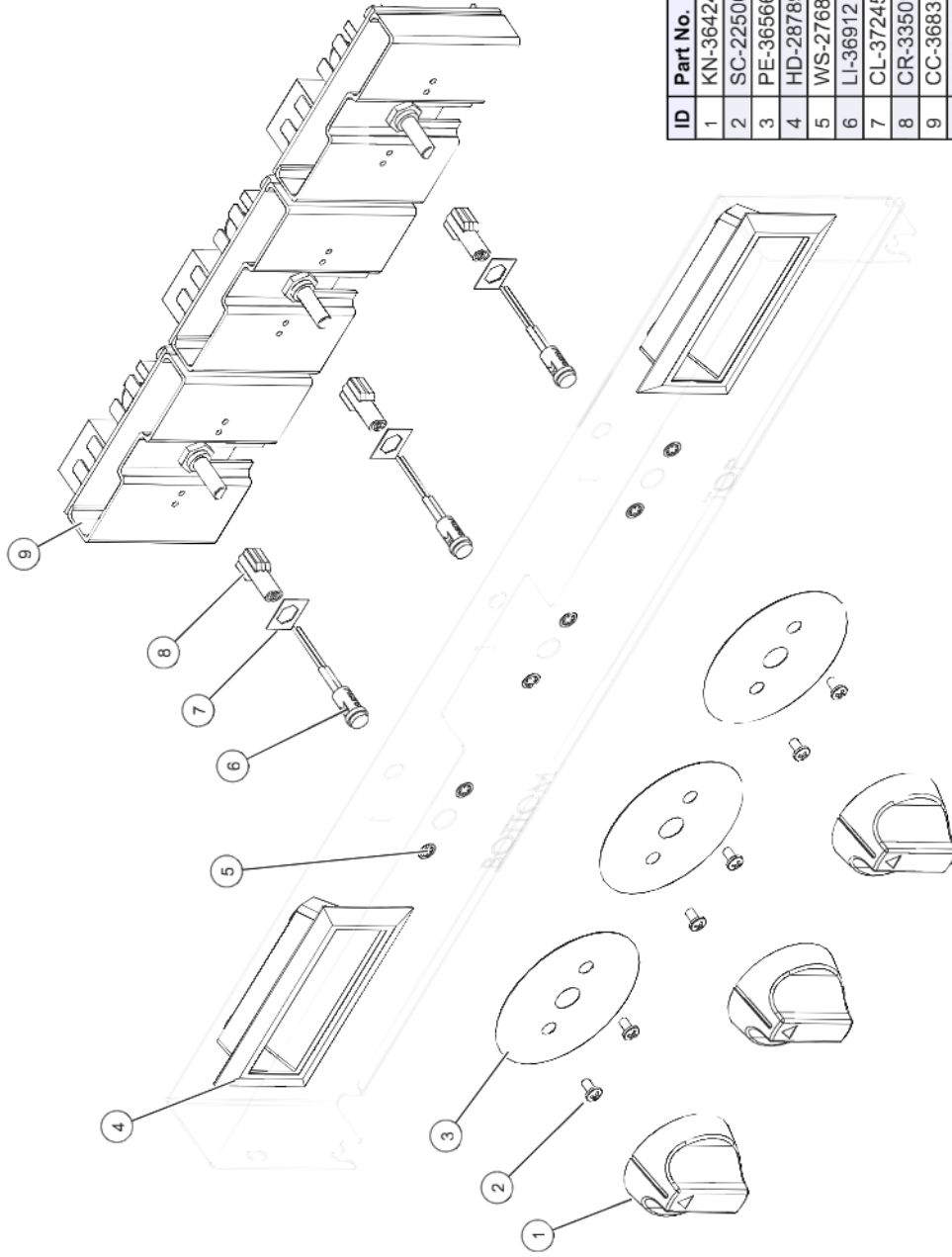
| ID | Part No. | Description |
|----|----------|-------------------------------|
| 1 | TI-35719 | TIE, TWIST LOCK 0.5" STANDOFF |
| 2 | SC-22271 | SCREW,M4x0.7X6MM PAN |
| 3 | 5020740R | POWER SUPPLY WITH CONNECTORS |
| 4 | BU-3013 | BUSHING,SNAP,1 1/2" |
| 5 | BK-3019 | T-BLOCK |
| 6 | SC-2365 | SCREW, 6-32 X 1-1/4" PAN |
| 7 | SC-38128 | SCREW,PAN PH, METRIC, M5 |
| 8 | NU-36234 | NUJ, M5, KEPS |
| 9 | WS-2467 | WASHER, INT. LOCK |

DIN Rail and Terminals, HSM-36/CT



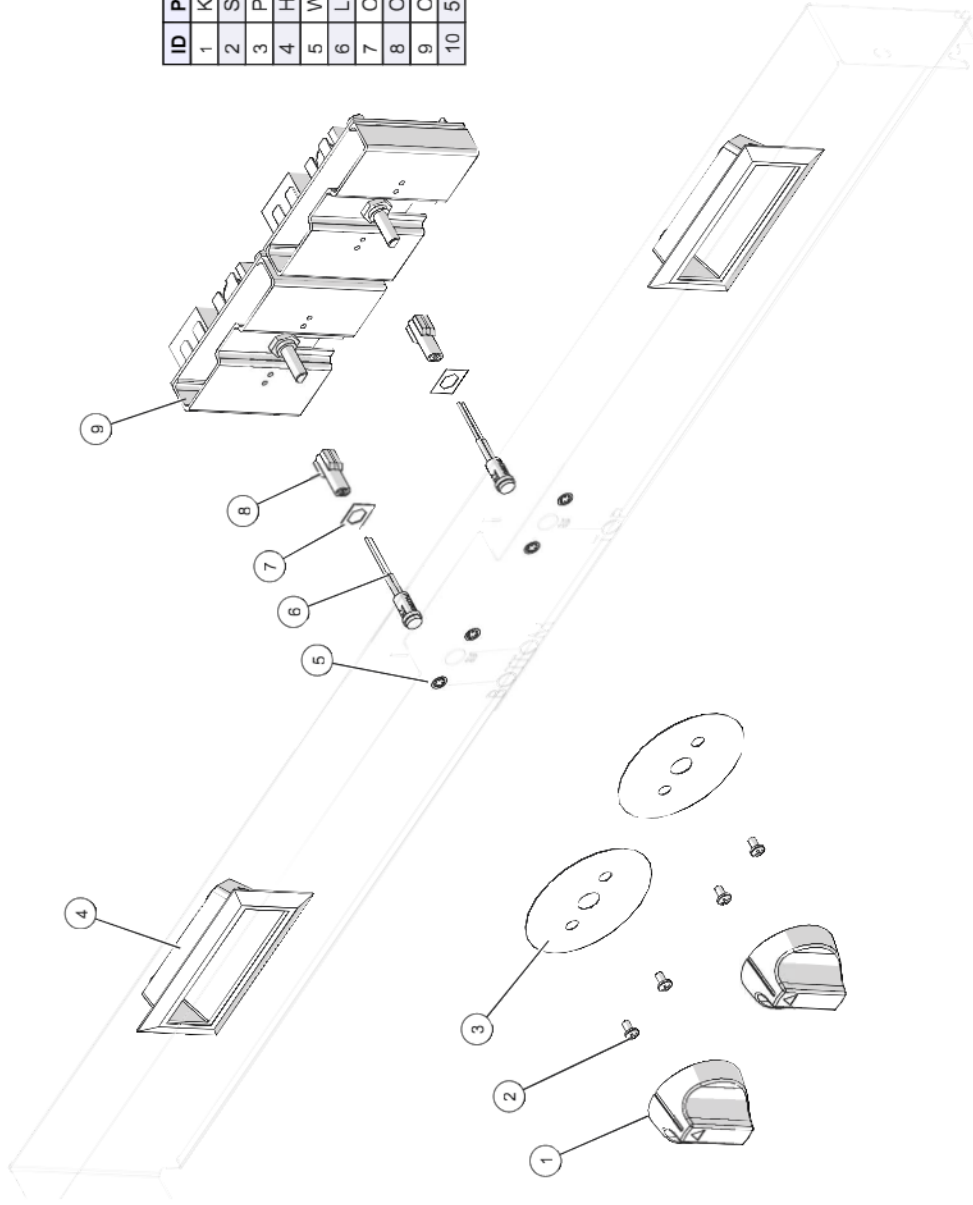
| ID | Part No. | Description | Qty |
|----|----------|--------------------------------|-----|
| 1 | RI-38125 | RIVET, SEALED, .125" | 2 |
| 2 | 1013636 | DIN RAIL, SOLID SURFACE, 390MM | 1 |
| 3 | TM-39606 | TERMINAL, SCREWLESS END | 6 |
| 4 | TM-39574 | TERMINAL, 6mm, ORANGE, SPRING | 13 |
| 5 | TM-39575 | TERMINAL, 6mm, BLUE, SPRING | 8 |
| 6 | TM-39582 | JUMPER, 5 POLE | 2 |
| 7 | TM-39576 | TERMINAL, END SECTION, SPRING | 10 |
| 8 | TM-39579 | TERMINAL, GROUND, 6mm, SPRING | 2 |
| 9 | TM-39577 | TERMINAL, FUSE HOLDER, | 2 |
| 10 | FU-33452 | NEOZED, 6.3 AMP | 2 |
| 11 | TM-39578 | TERMINAL, END PLATE | 2 |
| 12 | TM-39585 | JUMPER, 2 POLE | 2 |
| 13 | TM-39584 | JUMPER, 3 POLE | 1 |

Control Assembly, HSM-24/3S/T



| ID | Part No. | Description |
|----|----------|--------------------------------------|
| 1 | KN-36424 | KNOB, UNIBODY, T-STAT CONTROL |
| 2 | SC-22500 | SCREW, 6-32 X 1/4" PAN |
| 3 | PE-36566 | PANEL OVERLAY, ELAN CONTROL |
| 4 | HD-28789 | HANDLE, PULL RECESSED, BLACK |
| 5 | WS-2768 | WASHER, #6, LOCK, INT., #410 SS |
| 6 | LI-36912 | LIGHT, IND., 250V, GREEN, 312 HOLE |
| 7 | CL-37245 | CLIP, LIGHT MOUNTING XYZ |
| 8 | CR-33509 | CONNECTOR, QUICK DISCONNECT |
| 9 | CC-36830 | CONTROL, ELAN, DETENT, 300F MAX |
| 10 | 5032119 | WIRE ASSEMBLY, HSM-36-3S (not shown) |

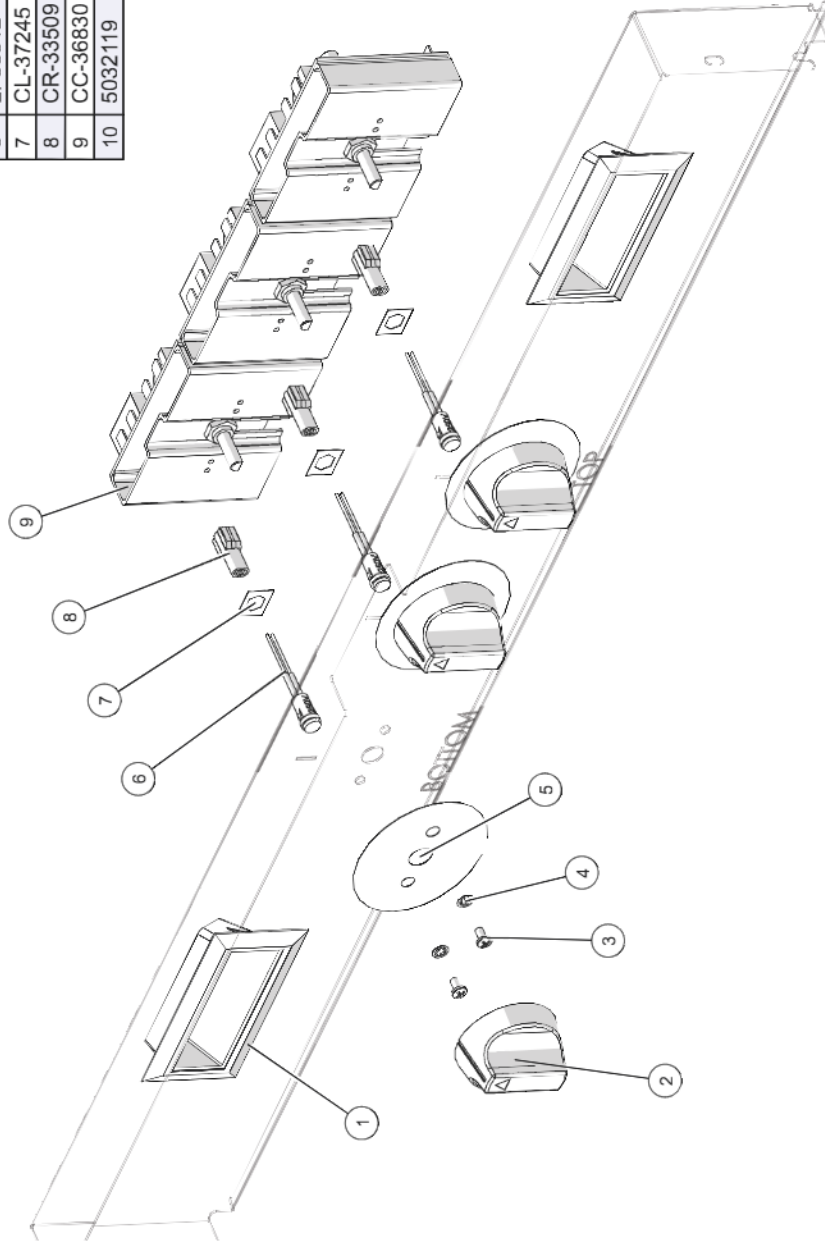
Control Assembly, HSM-36/2S/T



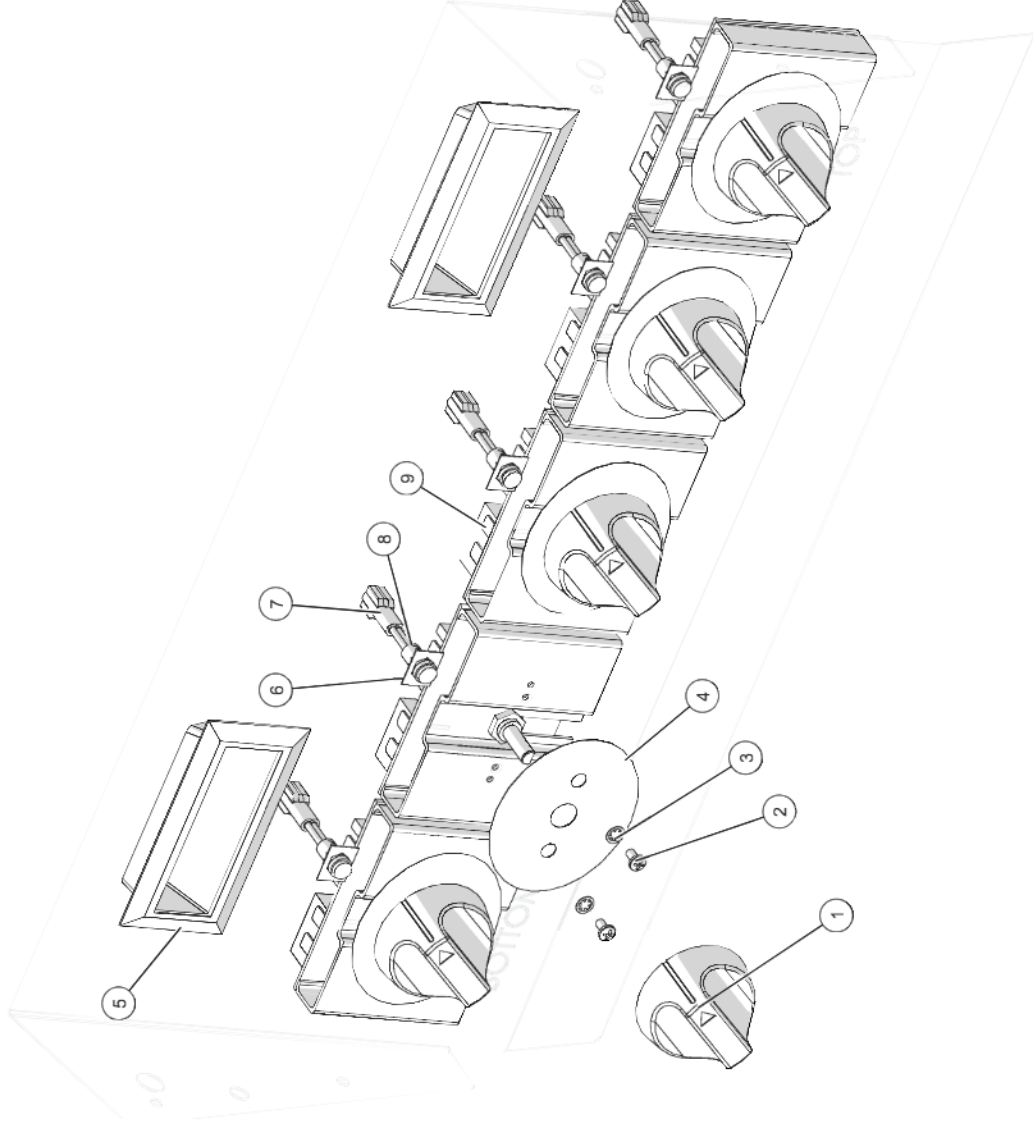
| ID | Part No. | Description |
|----|----------|--------------------------------------|
| 1 | KN-36424 | KNOB, UNIBODY, T-STAT CONTROL |
| 2 | SC-22500 | SCREW, 6-32 X 1/4" PAN |
| 3 | PE-36566 | PANEL OVERLAY, ELAN CONTROL |
| 4 | HD-28789 | HANDLE, PULL RECESSED, BLACK |
| 5 | WS-2768 | WASHER,#6,LOCK,INT., #410 SS |
| 6 | LI-36912 | LIGHT,IND.,250V,GREEN,,312 HOLE |
| 7 | CL-37245 | CLIP, LIGHT MOUNTING XYZ |
| 8 | CR-33509 | CONNECTOR, QUICK DISCONNECT |
| 9 | CC-36830 | CONTROL, ELAN, DETENT,300F MAX |
| 10 | 5032639 | WIRE ASSEMBLY, HSM-36 2S (not shown) |

Control Assembly, HSM-36/3S/T

| ID | Part No. | Description |
|----|----------|--------------------------------------|
| 1 | HD-28789 | HANDLE, PULL RECESSED, BLACK |
| 2 | KN-36424 | KNOB, UNIBODY, T-STAT CONTROL |
| 3 | SC-22500 | SCREW, 6-32 X 1/4" PAN |
| 4 | WS-2768 | WASHER,#6,LOCK,INT., #410 SS |
| 5 | PE-36566 | PANEL OVERLAY, ELAN CONTROL |
| 6 | LI-36912 | LIGHT,IND.,250V,GREEN,,312 HOLE |
| 7 | CL-37245 | CLIP, LIGHT MOUNTING XYZ |
| 8 | CR-33509 | CONNECTOR, QUICK DISCONNECT |
| 9 | CC-36830 | CONTROL, ELAN, DETENT, 300F MAX |
| 10 | 5032119 | WIRE ASSEMBLY, HSM-36-3S (not shown) |



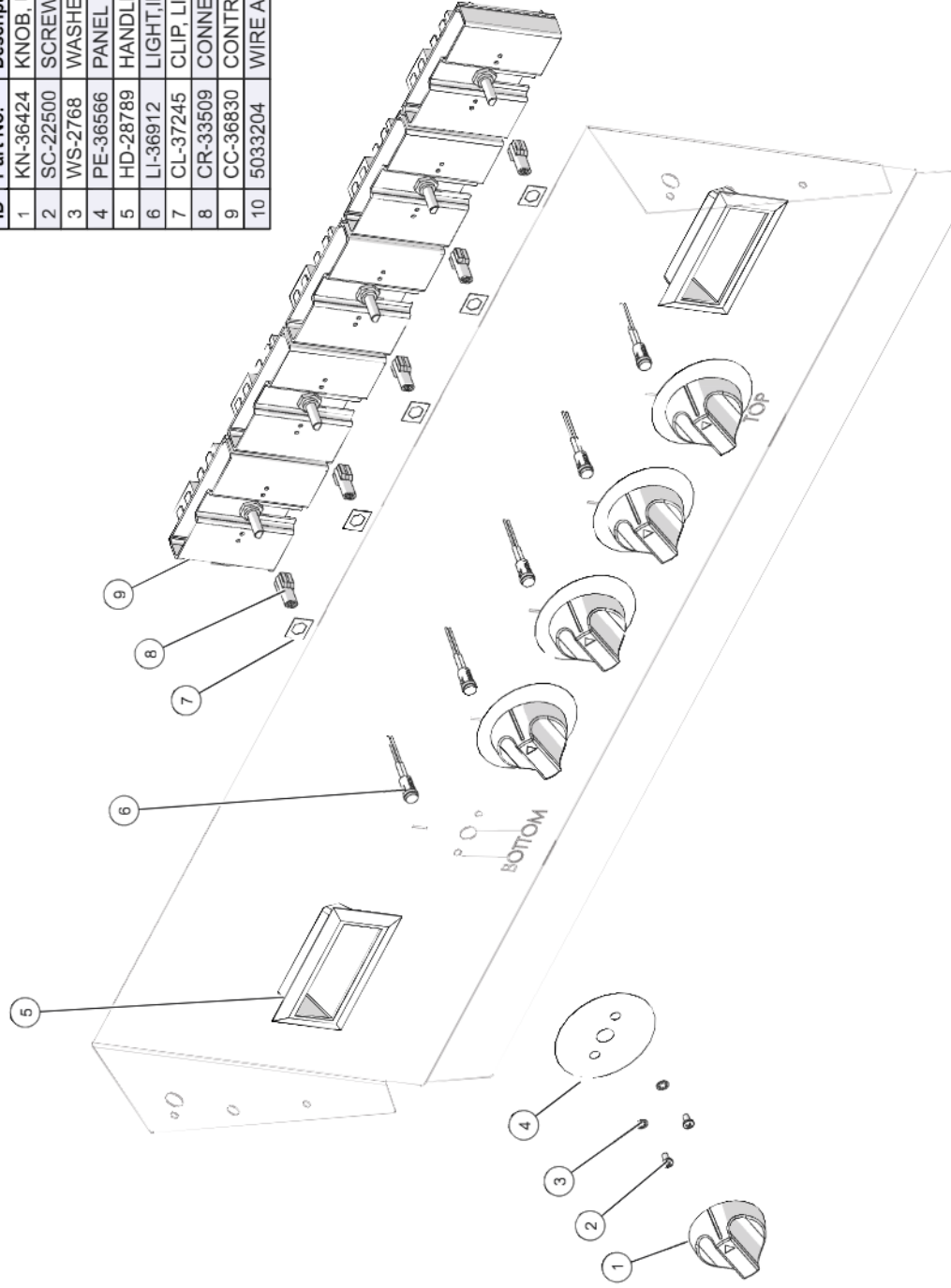
Control Assembly, HSM-24/5S/T



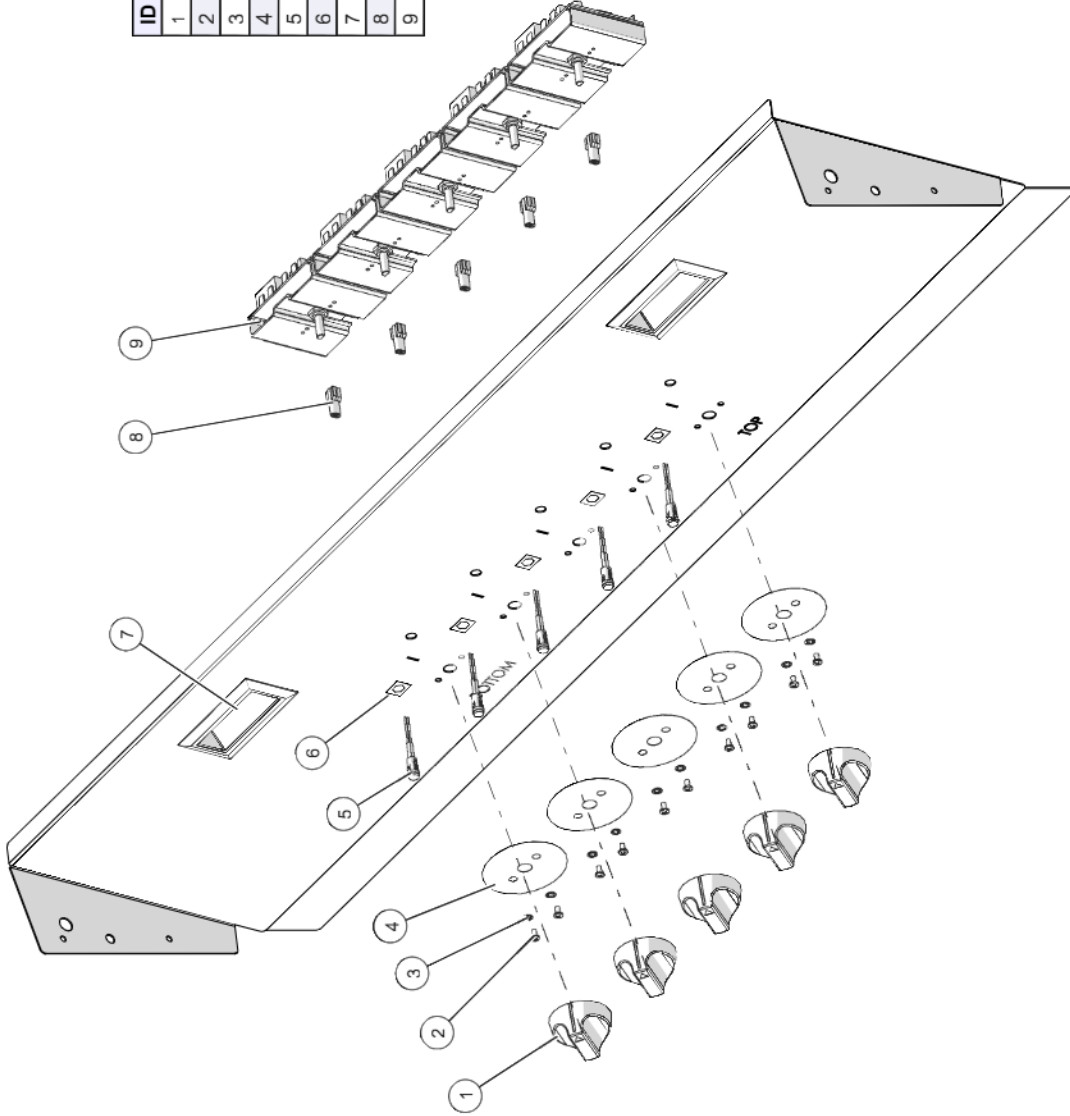
| ID | Part No. | Description |
|----|----------|-------------------------------------|
| 1 | KN-36424 | KNOB, UNIBODY, T-STAT CONTROL |
| 2 | SC-22500 | SCREW, 6-32 X 1/4" PAN |
| 3 | WS-2768 | WASHER, #6, LOCK, INT., #410 SS |
| 4 | PE-36566 | PANEL OVERLAY, ELAN CONTROL |
| 5 | HD-28789 | HANDLE, PULL RECESSED, BLACK |
| 6 | CL-37245 | CLIP, LIGHT MOUNTING XYZ |
| 7 | CR-33509 | CONNECTOR, QUICK DISCONNECT |
| 8 | LI-36912 | LIGHT, IND., 250V, GREEN, .312 HOLE |
| 9 | CC-36830 | CONTROL, ELAN, DETENT, 300F MAX |

Control Assembly, HSM-36/5S/T

| ID | Part No. | Description |
|----|----------|--------------------------------------|
| 1 | KN-36424 | KNOB, UNIBODY, T-STAT CONTROL |
| 2 | SC-22500 | SCREW, 6-32 X 1/4" PAN |
| 3 | WS-2768 | WASHER,#6,LOCK,INT., #410 SS |
| 4 | PE-36566 | PANEL OVERLAY, ELAN CONTROL |
| 5 | HD-28789 | HANDLE, PULL RECESSED, BLACK |
| 6 | LI-36912 | LIGHT,IND.,250V,GREEN,.312 HOLE |
| 7 | CL-37245 | CLIP, LIGHT MOUNTING XYZ |
| 8 | CR-33509 | CONNECTOR, QUICK DISCONNECT |
| 9 | CC-36830 | CONTROL, ELAN, DETENT,300F MAX |
| 10 | 5033204 | WIRE ASSEMBLY, HSM-36 5S (not shown) |



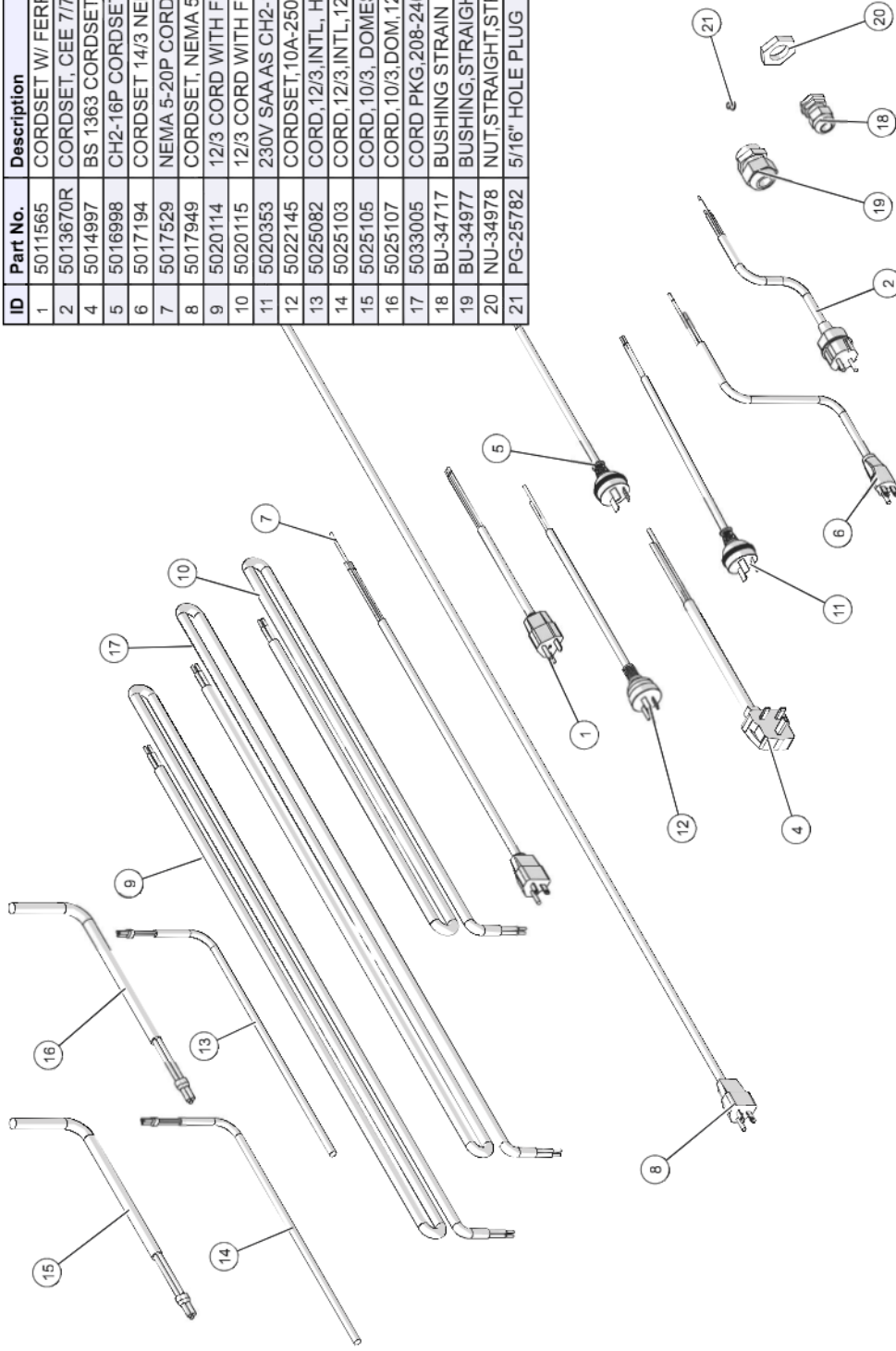
Control Assembly, HSM-48/5S/T



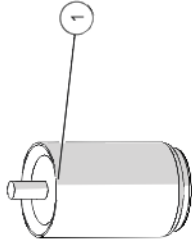
| ID | Part No. | Description |
|----|----------|-------------------------------------|
| 1 | KN-36424 | KNOB, UNIBODY, T-STAT CONTROL |
| 2 | SC-22500 | SCREW, 6-32 X 1/4" PAN |
| 3 | WS-2768 | WASHER, #6 LOCK, INT., #410 SS |
| 4 | PE-36566 | PANEL OVERLAY, ELAN CONTROL |
| 5 | LI-36912 | LIGHT, IND., 250V, GREEN, .312 HOLE |
| 6 | CL-37245 | CLIP, LIGHT MOUNTING XYZ |
| 7 | HD-28789 | HANDLE, PULL RECESSED, BLACK |
| 8 | CR-33509 | CONNECTOR, QUICK DISCONNECT |
| 9 | CC-36830 | CONTROL, ELAN, DETENT, 300F MAX |

Cordsets

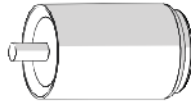
| ID | Part No. | Description |
|----|----------|------------------------------------|
| 1 | 5011565 | CORDSET W/ FERRULES |
| 2 | 5013670R | CORDSET, CEE 7/7 |
| 4 | 5014997 | BS 1363 CORDSET |
| 5 | 5016998 | CH2-16P CORDSET FERRULE ASSEMBLY |
| 6 | 5017194 | CORDSET 14/3 NEMA 6-15P 15A-250V |
| 7 | 5017529 | NEMA 5-20P CORDSET ASSEMBLY |
| 8 | 5017949 | CORDSET, NEMA 5-20P |
| 9 | 5020114 | 12/3 CORD WITH FERRULES, 9' |
| 10 | 5020115 | 12/3 CORD WITH FERRULES, 12' |
| 11 | 5020353 | 230V SAAAS CH2-16P CORDSET |
| 12 | 5022145 | CORDSET,10A-250V, AS/NZS 3112:2000 |
| 13 | 5025082 | CORD,12/3,INTL, HARMONIZED, 9' |
| 14 | 5025103 | CORD,12/3,INTL,12 FT LONG |
| 15 | 5025105 | CORD,10/3, DOMESTIC, 9' |
| 16 | 5025107 | CORD,10/3,DOM,12 FT LONG |
| 17 | 5033005 | CORD PKG 208-240V, 12/3,20 AMP |
| 18 | BU-34717 | BUSHING STRAIN RELIEF 5.8-13.9mm |
| 19 | BU-34977 | BUSHING,STRAIGHT,STRAIN RELIEF |
| 20 | NU-34978 | NUT,STRAIGHT,STRAIN RELIEF |
| 21 | PG-25782 | 5/16" HOLE PLUG |



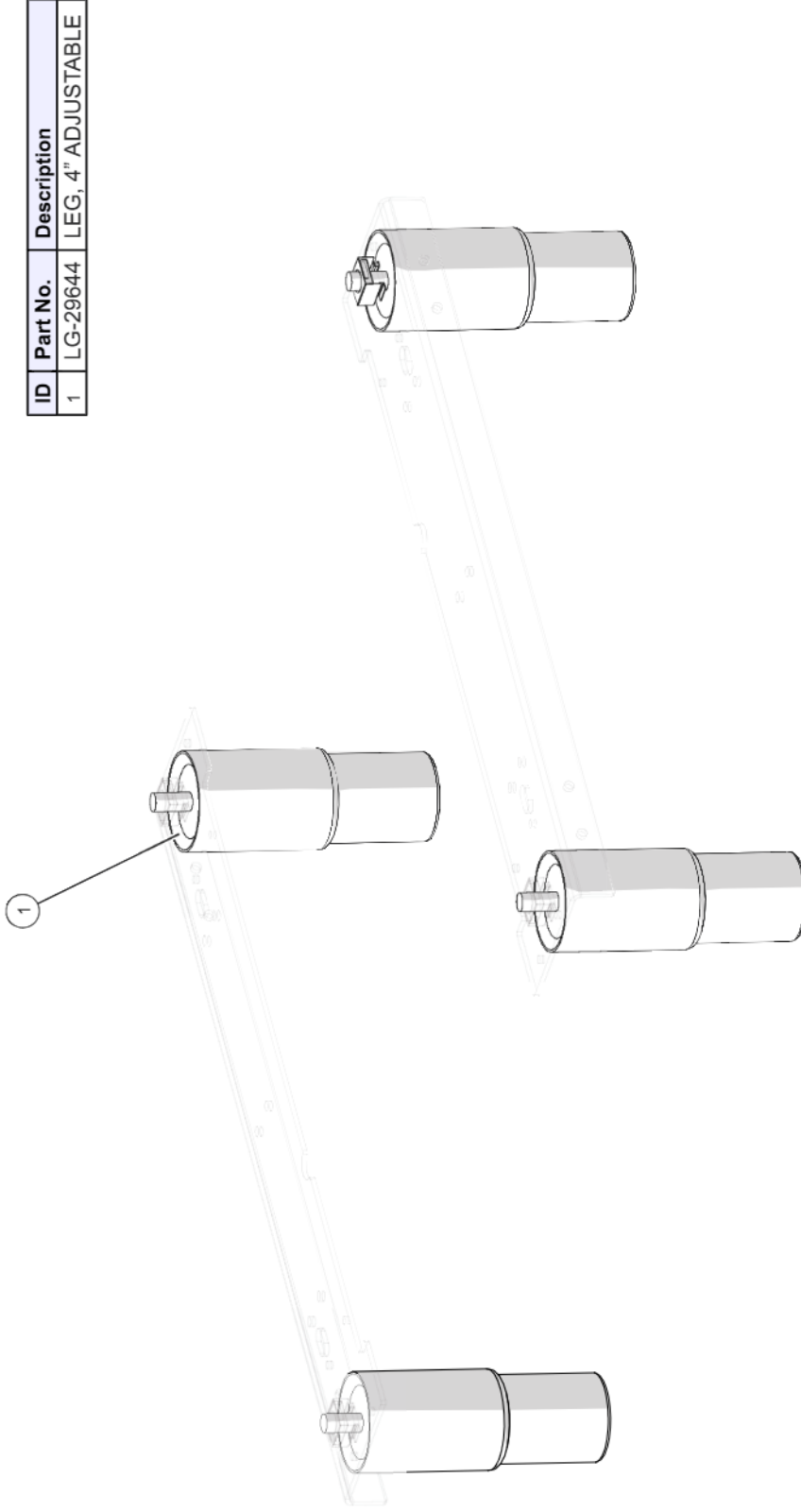
Leg Package, HSM-24/CT or HSM-36/CT



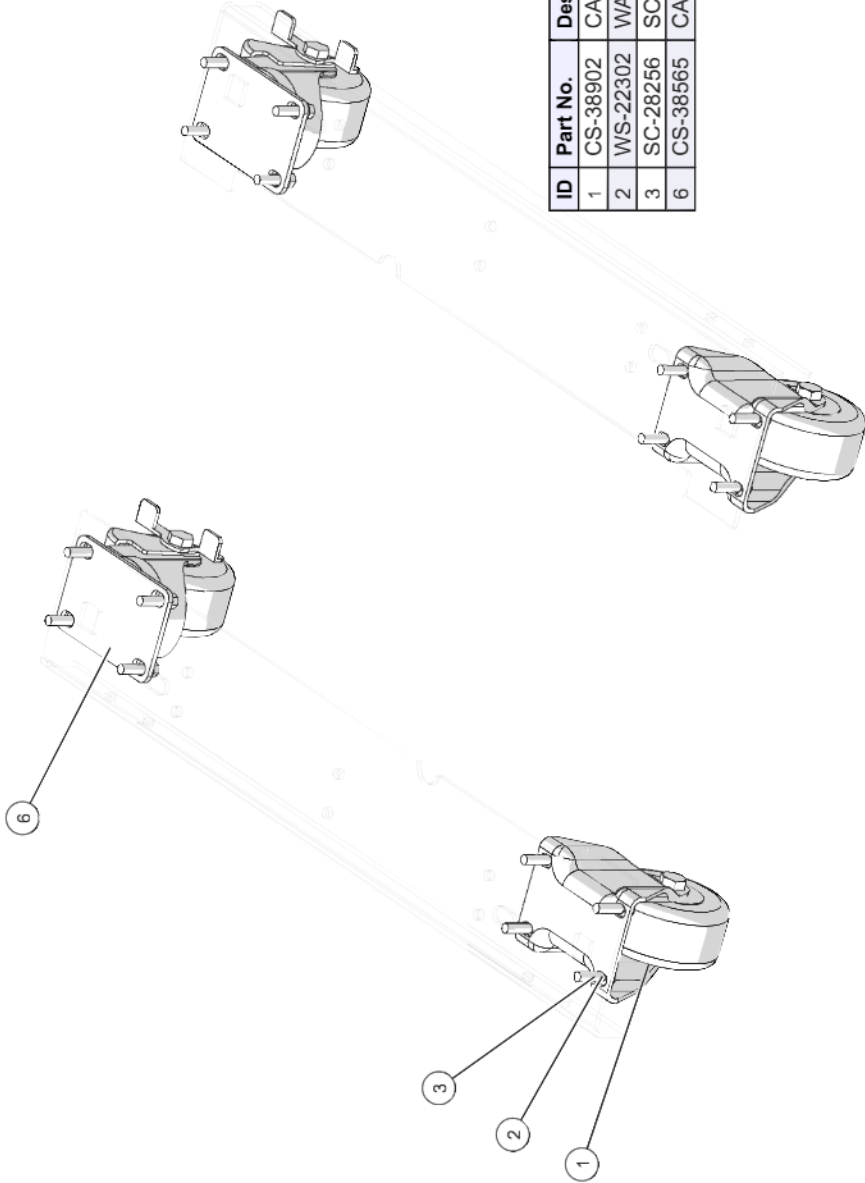
| ID | Part No. | Description |
|----|----------|--------------------|
| 1 | LG-29644 | LEG, 4" ADJUSTABLE |



Leg Package, Floor Models Only



Casters, Floor Models Only

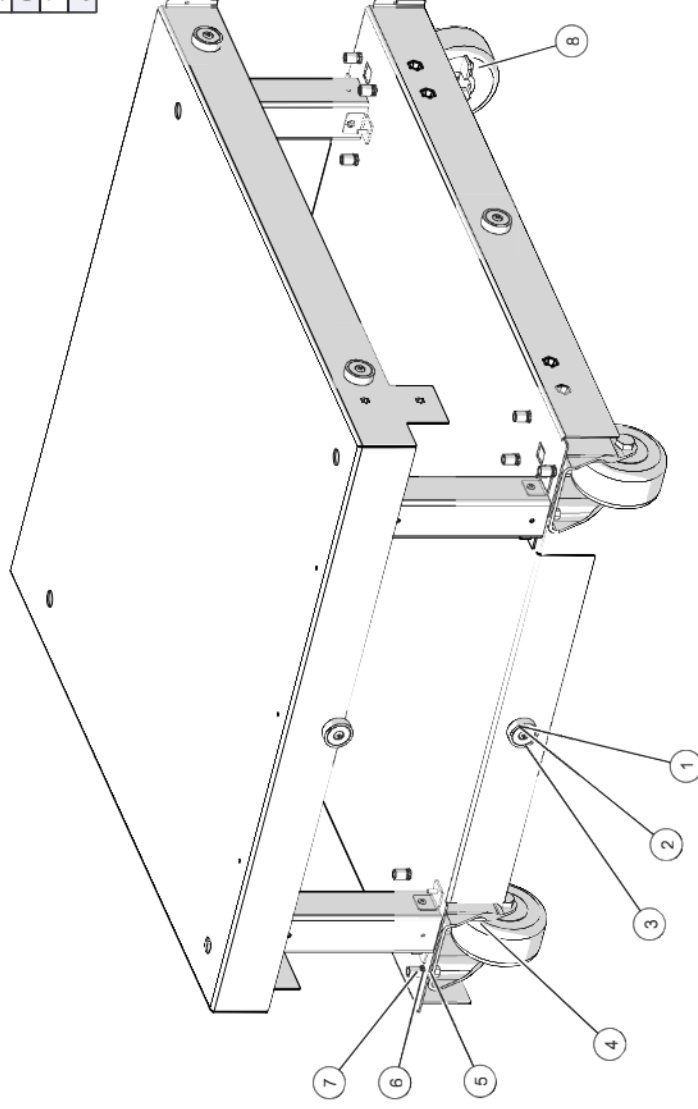


| ID | Part No. | Description |
|----|----------|-----------------------------------------|
| 1 | CS-38902 | CASTER, RIGID 3", FLAT |
| 2 | WS-22302 | WASHER, M6 SPLIT LOCK (4 per caster) |
| 3 | SC-28256 | SCREW, M6X1X20MM HEX FLG (4 per caster) |
| 6 | CS-38565 | CASTER, SWIVEL 3", LOCK, FLAT |

Display Base with Casters, HSM-24/3S/T

Entire stand assembly: 5026172R

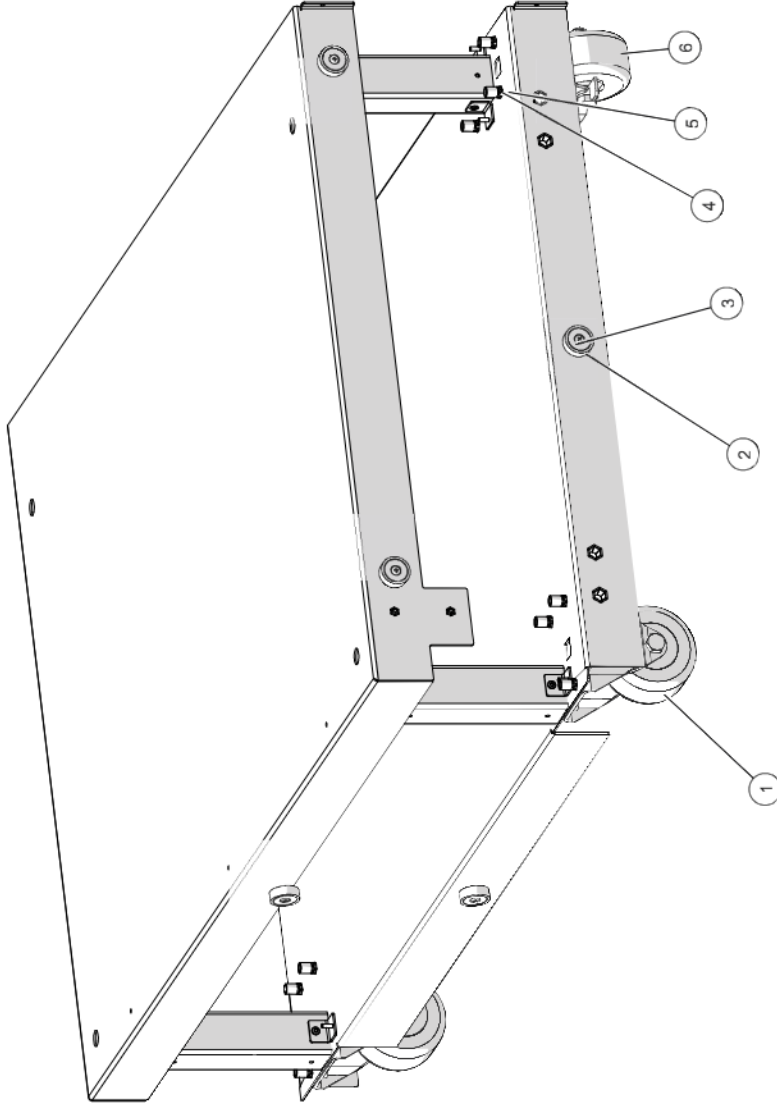
| ID | Part No. | Description |
|----|----------|-------------------------------|
| 1 | NU-26866 | NUT, HEX INSERT M4 |
| 2 | SC-22765 | SCREW, M4x0.7x20MM PAN |
| 3 | MA-38245 | MAGNET, NEO, NICKEL PLATED |
| 4 | CS-38902 | CASTER, RIGID 3", FLAT |
| 5 | WS-22302 | WASHER, M6 SPLIT LOCK |
| 6 | SC-28256 | SCREW, M6X1X20MM HEX FLG |
| 7 | NU-37269 | NUT, HEX INSERT M6 |
| 8 | CS-38565 | CASTER, SWIVEL 3", LOCK, FLAT |



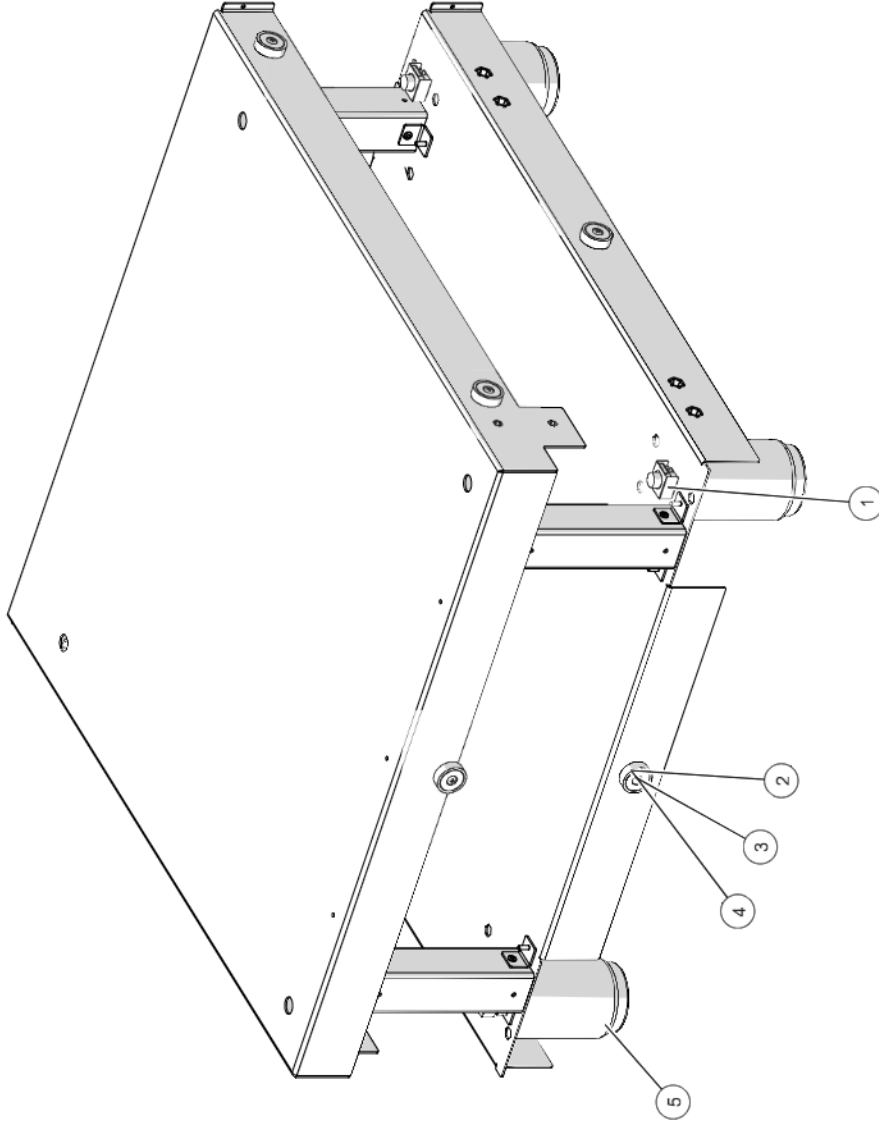
Display Base with Casters, HSM-36/3S/T

Entire stand assembly : 5026176R

| ID | Part No. | Description |
|----|----------|-------------------------------|
| 1 | CS-38902 | CASTER, RIGID 3", FLAT |
| 2 | MA-38245 | MAGNET, NEO, NICKEL PLATED |
| 3 | SC-22765 | SCREW, M4x0.7X20MM PAN |
| 4 | SC-28256 | SCREW, M6X1X20MM HEX FLG |
| 5 | WS-22302 | WASHER, M6 SPLIT LOCK |
| 6 | CS-38565 | CASTER, SWIVEL 3", LOCK, FLAT |



Display Base with Legs, HSM-24/3S/T



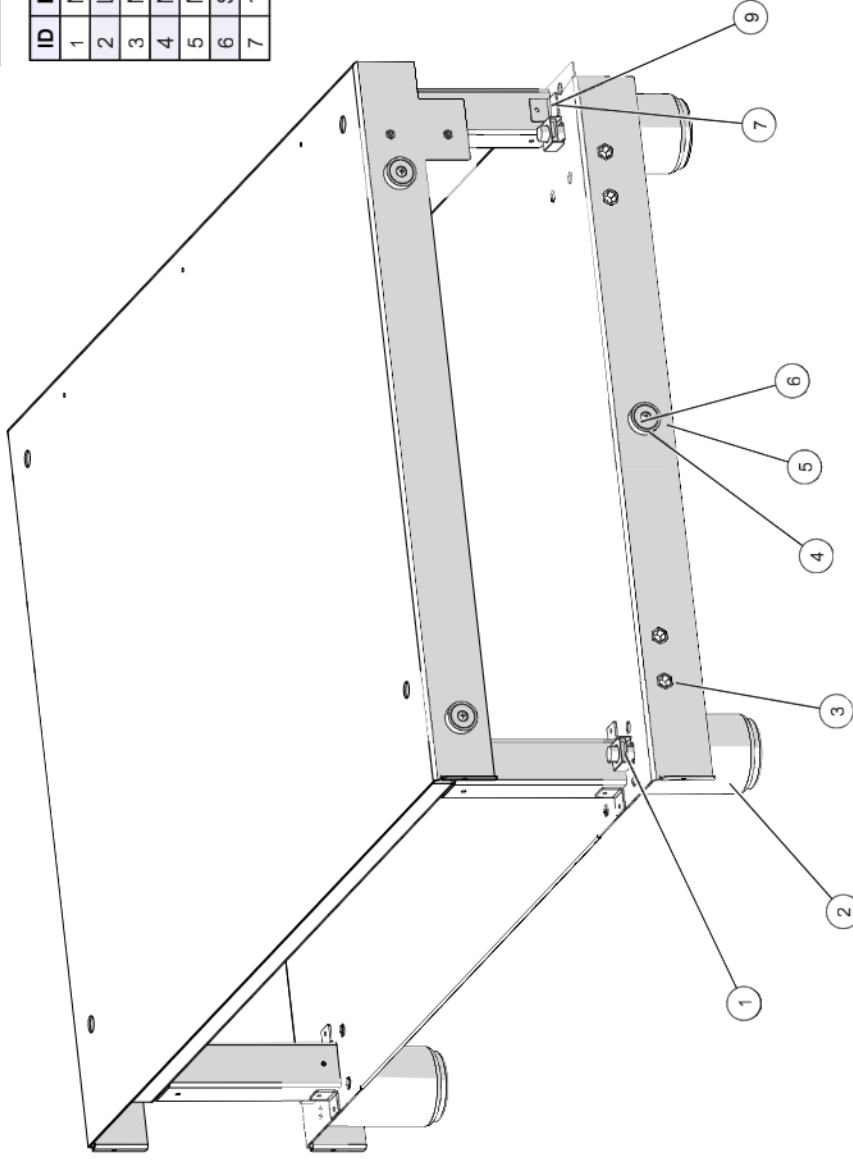
Entire stand assembly: 5026180R

| ID | Part No. | Description |
|----|----------|-----------------------------|
| 1 | NU-37699 | NUT, CAGE M12 X 1.75 THREAD |
| 2 | NU-26866 | NUT, HEX INSERT M4 |
| 3 | MA-38245 | MAGNET, NEO, NICKEL PLATED |
| 4 | SC-22765 | SCREW, M4x0.7X20MM PAN |
| 5 | LG-29644 | LEG, 4" ADJUSTABLE |

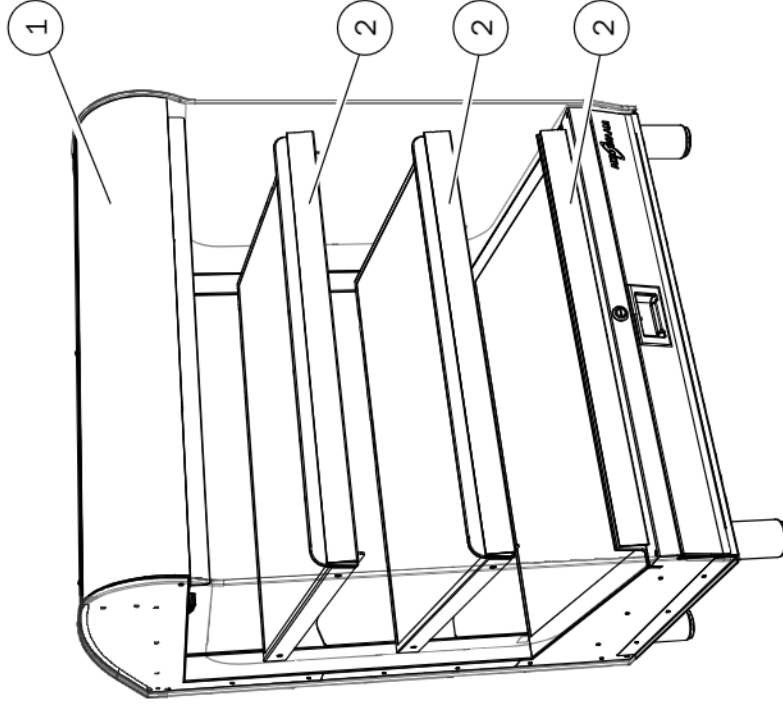
Display Base with Legs, HSM-36/3S/T

Entire stand assembly: 5026182R

| ID | Part No. | Description |
|----|----------|-----------------------------|
| 1 | NU-37699 | NUT, CAGE M12 X 1.75 THREAD |
| 2 | LG-29644 | LEG, 4" ADJUSTABLE |
| 3 | NU-28537 | NUT, HEX INSERT M8 |
| 4 | NU-26866 | NUT, HEX INSERT M4 |
| 5 | MA-38245 | MAGNET, NEO, NICKEL PLATED |
| 6 | SC-22765 | SCREW, M4x0.7X20MM PAN |
| 7 | 1030010 | ADAPTER, TUBE |



Signage Panels



| ID | Part No. | Description | For |
|----|----------|-------------------------------------------------------|--------|
| 1 | PE-38808 | SIGNAGE PANEL, POP DISPLAY (DELI FRESH / HOT & TASTY) | HSM-24 |
| 1 | PE-38809 | SIGNAGE PANEL, POP DISPLAY (DELI FRESH / HOT & TASTY) | HSM-36 |
| 1 | PE-38810 | SIGNAGE PANEL, POP DISPLAY (DELI FRESH / HOT & TASTY) | HSM-48 |
| 2 | PE-38811 | SIGNAGE PANEL, SHELF ROTISSERIE | HSM-24 |
| 2 | PE-38812 | SIGNAGE PANEL, SHELF SANDWICH | HSM-24 |
| 2 | PE-38813 | SIGNAGE PANEL, SHELF BBQ RIBS | HSM-24 |
| 2 | PE-38814 | SIGNAGE PANEL, SHELF HOT & TASTY | HSM-24 |
| 2 | PE-38815 | SIGNAGE PANEL, SHELF GRAB & GO | HSM-24 |
| 2 | PE-38816 | SIGNAGE PANEL, SHELF HOT & FRESH | HSM-24 |
| 2 | PE-38817 | SIGNAGE PANEL, SHELF ROTISSERIE | HSM-36 |
| 2 | PE-38818 | SIGNAGE PANEL, SHELF SANDWICH | HSM-36 |
| 2 | PE-38819 | SIGNAGE PANEL, SHELF BBQ RIBS | HSM-36 |
| 2 | PE-38820 | SIGNAGE PANEL, SHELF HOT & TASTY | HSM-36 |
| 2 | PE-38821 | SIGNAGE PANEL, SHELF GRAB & GO | HSM-36 |
| 2 | PE-38822 | SIGNAGE PANEL, SHELF HOT & FRESH | HSM-36 |
| 2 | PE-38823 | SIGNAGE PANEL, SHELF ROTISSERIE | HSM-48 |
| 2 | PE-38824 | SIGNAGE PANEL, SHELF SANDWICH | HSM-48 |
| 2 | PE-38825 | SIGNAGE PANEL, SHELF BBQ RIBS | HSM-48 |
| 2 | PE-38826 | SIGNAGE PANEL, SHELF HOT & TASTY | HSM-48 |
| 2 | PE-38827 | SIGNAGE PANEL, SHELF GRAB & GO | HSM-48 |
| 2 | PE-38828 | SIGNAGE PANEL, SHELF HOT & FRESH | HSM-48 |
| 2 | PE-46434 | SIGNAGE SHELVES, ALL BLACK | HSM-24 |
| 1 | PE-46435 | SIGNAGE TOP DISPLAY, ALL BLACK | HSM-24 |
| 2 | PE-46436 | SIGNAGE SHELVES, ALL BLACK | HSM-36 |
| 1 | PE-46437 | SIGNAGE TOP DISPLAY, ALL BLACK | HSM-36 |
| 2 | PE-46438 | SIGNAGE SHELVES, ALL BLACK | HSM-48 |
| 1 | PE-46439 | SIGNAGE TOP DISPLAY, ALL BLACK | HSM-48 |



ALTO-SHAAM.

Menomonee Falls, WI U.S.A.

Phone 800-558-8744 | +1-262-251-3800 | alto-shaam.com

ASIA

Shanghai, China
Phone +86-21-6173-0336

AUSTRALIA

Brisbane, Queensland
Phone 800-558-8744

CANADA

Concord, Ontario Canada
Toll Free Phone 866-577-4484
Phone +1-905-660-6781

FRANCE

Aix en Provence, France
Phone +33(0)4-88-78-21-73

GMBH

Bochum, Germany
Phone +49 (0)234 298798-0

ITALY

Padua, Italy
Phone +39 3476073504

INDIA

Pune, India
Phone +91 9657516999

MEXICO

Phone +52 1 477-717-3108

MIDDLE EAST & AFRICA

Dubai, UAE
Phone +971-4-321-9712

CENTRAL & SOUTH AMERICA

Miami, FL USA
Phone +1 954-655-5727

RUSSIA

Moscow, Russia
Phone +7 903 7932331