



HOSHIZAKI

Parts List

Refrigerated Kitchen Equipment
Steelheart B Series

Models
Undercounter
Worktop
Prep Table



hoshizakiamerica.com

Number: 71437
Issued: 7-31-2020
Revised: 6-29-2022

CONTENTS

Auxiliary Codes.....	3
Model Codes	8
A. Main Assembly	9
UR27B, WR27B, SR27B, UF27B, and WF27B Undercounter, Worktop, and Prep Table .	9
UR36B, WR36B, SR36B Undercounter, Worktop, and Prep Table	12
UR48B, WR48B, SR48B, UF48B, and WF48B Undercounter, Worktop, and Prep Table	14
UR60B, WR60B, SR60B, UF60B, and WF60B Undercounter, Worktop, and Prep Table	17
UR72B, WR72B, SR72B Undercounter, Worktop, and Prep Table	21
B. Refrigeration Circuit.....	25
UR27B and WR27B Undercounter and Worktop	25
SR27B, UF27B, WF27B, UR36B, WR36B, and SR36B Undercounter, Worktop, and Prep Table	27
UR48B, WR48B, UF48B, WF48B, and SR48B Undercounter, Worktop, and Prep Table	29
UR60B, WR60B, UF60B, WF60B, and SR60B Undercounter, Worktop, and Prep Table	31
UR72B, WR72B, and SR72B Undercounter, Worktop, and Prep Table	33
C. Door-Right Hinged Solid.....	35
D. Door-Left Hinged Solid	37
E. Door-Right Hinged Glass.....	39
F. Door-Left Hinged Glass	40
G. Drawer	41
H. Accessories & Labels	43

Auxiliary Codes

UR27B

K-5 March 2020
L-5 June 2021
M-5 January 2022

UR27B-GLP01

K-5 March 2020
L-5 July 2021
M-5 May 2022

UR27B-01

L-5 June 2021
M-5 May 2022

UR27B-LP

L-5 June 2021
M-5 January 2022

UR27B-LPC

L-5 June 2021
M-5 January 2022

UR27B-LPW

L-5 June 2021
M-5 February 2022

UR27B-LPCL

M-5 June 2022

UR27B-D2

L-5 June 2021
M-5 January 2022

WR27B

L-5 June 2021
M-5 February 2022

WR27B-01

L-5 September 2021
M-5 May 2022

WR27B-D2

L-5 June 2021
M-5 May 2022

SR27B-8

L-5 June 2021
M-5 January 2022

SR27B-8D2

L-5 July 2021
M-5 February 2022

SR27B-12M

K-5 February 2020
M-5 January 2022

SR27B-12MD2

K-5 November 2020
M-5 February 2022

UF27B

K-5 March 2020
L-5 June 2021
M-5 January 2022

UF27B-GLP01

K-5 March 2020
L-5 July 2021
M-5 June 2022

UF27B-01

L-5 July 2021
M-5 May 2022

UF27B-LP

L-5 June 2021
M-5 February 2022

UF27B-D2

L-5 June 2021
M-5 February 2022

WF27B

K-5 November 2020
M-5 February 2022

WF27B-01

L-5 June 2021
M-5 April 2022

WF27B-D2

L-5 June 2021
M-5 April 2022

Auxiliary Codes Continued

UR36B

K-5 February 2020
L-5 June 2021
M-5 February 2022

UR36B-01

L-5 September 2021
M-5 June 2022

WR36B

L-5 June 2021
M-5 June 2022

WR36B-01

L-5 September 2021
M-5 June 2022

SR36B-10

L-5 June 2021
M-5 May 2022

SR36B-15M

K-5 February 2020
L-5 June 2021
M-5 February 2022

Auxiliary Codes Continued

UR48B

L-5 March 2021
M-5 January 2022

UR48B-GPL01

L-5 March 2021
M-5 January 2022

UR48B-01

L-5 November 2021
M-5 February 2022

UR48B-D2

M-5 February 2022

UR48B-D4

L-5 December 2021
M-5 January 2022

WR48B

L-5 November 2021
M-5 February 2022

WR48B-01

L-5 November 2021
M-5 February 2022

WR48B-D2

M-5 January 2022

WR48B-D4

M-5 March 2022

SR48B-8

L-5 November 2021
M-5 January 2022

SR48B-12

L-5 September 2021
M-5 January 2022

SR48B-12D2

M-5 June 2022

SR48B-12D4

L-5 September 2021
M-5 June 2022

SR48B-12M

L-5 September 2021
M-5 June 2022

SR48B-18M

L-5 September 2021
M-5 January 2022

SR48B-18MD2

L-5 March 2021
M-5 January 2022

SR48B-18MD4

M-5 March 2022

UF48B

L-5 March 2021
M-5 March 2022

UF48B-01

M-5 July 2022

UF48B-D4

M-5 May 2022

WF48B

L-5 November 2021
M-5 April 2022

WF48B-01

L-5 November 2021
M-5 June 2022

WF48B-D4

M-5 March 2022

Auxiliary Codes Continued

UR60B

L-5 April 2021
M-5 January 2022

UR60B-01

M-5 February 2022

UR60B-D2

M-5 February 2022

UR60B-D4

M-5 January 2022

WR60B

L-5 October 2021
M-5 February 2022

WR60B-01

M-5 February 2022

WR60B-D2

M-5 February 2022

WR60B-D4

M-5 TBD 2022

SR60B-8

M-5 July 2022

SR60B-12

L-5 November 2021
M-5 June 2022

SR60B-12M

M-5 July 2022

SR60B-16

L-5 November 2021
M-5 February 2022

SR60B-18M

L-5 November 2021
M-5 January 2022

SR60B-24M

L-5 January 2021
M-5 January 2022

SR60B-24MD2

L-5 April 2021
M-5 July 2022

SR60B-24MD4

L-5 November 2021
M-5 April 2022

UF60B

L-5 April 2021
M-5 May 2022

UF60B-01

L-5 October 2021
M-5 July 2022

WF60B

L-5 October 2021
M-5 TBD 2022

WF60B-01

M-5 TBD 2022

**Auxiliary Codes
Continued**

UR72B

L-5 April 2021
M-5 January 2022

UR72B-01

M-5 TBD 2022

UR72B-D6

M-5 January 2022

WR72B

L-5 October 2021
M-5 February 2022

WR72B-01

M-5 TBD 2022

WR72B-D6

M-5 TBD 2022

SR72B-12

M-5 TBD 2022

SR72B-16

M-5 April 2022

SR72B-18

L-5 October 2021
M-5 May 2022

SR72B-18M

L-5 November 2021
M-5 TBD 2022

SR72B-24M

M-5 June 2022

SR72B-30M

L-5 October 2021
M-5 April 2022

SR72B-30MD2

M-5 April 2022

SR72B-30MD4

L-5 April 2021
M-5 TBD 2022

SR72B-30MD6

M-5 May 2022

Model Codes

The model number code breakdown is as follows:

U - Undercounter

W - Worktop

S - Prep Table

R - Refrigerator

F - Freezer

27, 36, 48, 60, 72 - Width

After Dash (-) Nomenclature:

-GLP - Glass Door

-01 - Locks

-LP - Low Profile Casters

-LPC - Low Profile Stainless Steel Shelf

-LPW - Low Profile Salad Dressing Holders on Door

-D2, -D4, -D6 - Drawers and Drawer/Door Combination

-8, -10, -12, -16, -18 - Prep Table Number of Pans

-12M, -15M, -18M, -24M, -30M – Mega Top Number of Pans

Auxiliary Code Breakdown

The auxiliary code is the first two characters in the serial number. The first character indicates the year. Years progress or regress in alphabetical order. The series runs from "A" through "V" and the letters "I" and "O" are skipped. The second character indicates significant part changes within a year. Base is "5" and this number advances for each change. In cases where there is a letter in parentheses, this designates the month. This is the last character in the serial number. The series runs from "(A)" through "(M)" and the letter "(I)" is skipped. This designation is only included when identifying a parts change within an auxiliary code.

Note About Ordering Parts

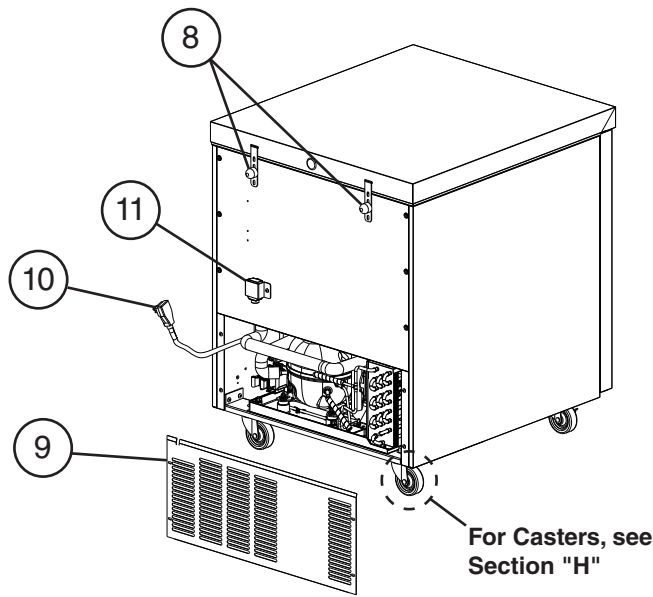
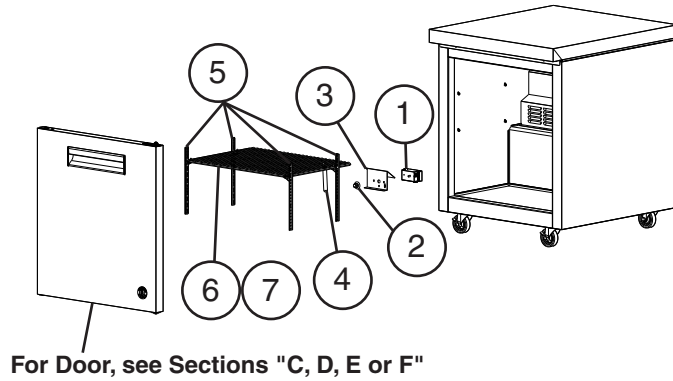
Most assemblies cannot be ordered as complete units; parts in the assemblies generally must be ordered separately.

A. Main Assembly

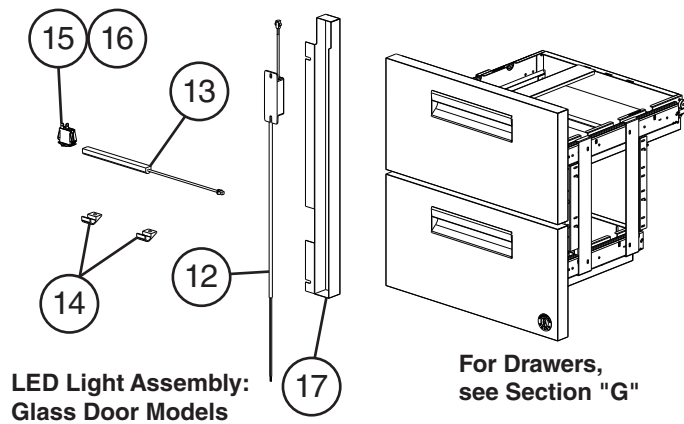
UR27B, WR27B, SR27B, UF27B, and WF27B Undercounter, Worktop, and Prep Table

K-5 to M-5

Undercounter, Worktop, Prep Table Common Parts



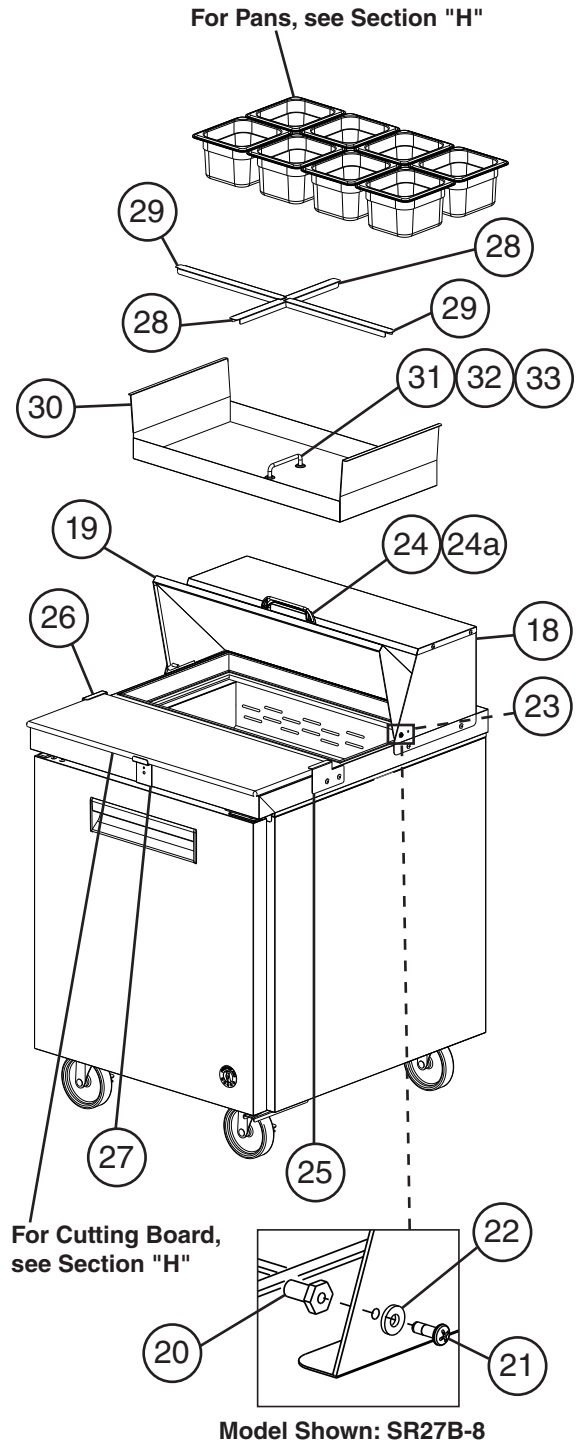
Model Shown: UF27B



LED Light Assembly:
Glass Door Models

For Drawers,
see Section "G"

Prep Table Specific Parts



For Pans, see Section "H"

For Cutting Board,
see Section "H"

Model Shown: SR27B-8

Title: A. Main Assembly Models: UR27B, WR27B, SR27B, UF27B, and WF27B Undercounter, Worktop, and Prep Table

Index No.	Description	Material or Model Number	Part Number	K-5 to M-5	Required Number							
Common Parts												
1	Control Module	All UC/WT Refrigerator	4A6907G01	1								
		All UC/WT Freezers	4A6907G03	1								
		All Prep Tables	4A6907G02	1								
2	Dial Knob		4A7052-01	1								
3	Control Module Bracket		3B0913-01	1								
4	Cabinet Thermometer		461083-02	1								
5	Side Pilaster	All UC/WT Prep Tables Except D(X) Models	4A5854-01	4								
6	Shelf	All UC/WT Prep Tables Except D(X) Models and LPC Models	3A2830-07	1								
		LPC Models	3A2830-14	1								
			3A2830-20	1								
7	Shelf Clip	All UC/WT Prep Tables Except D(X) Models and LPC models	4A5418-01	4								
		LPC Models		8								
8	Bumper		3A6696-01	2								
9	Rear Panel		1A6049-01	1								
10	Wire Harness (includes power cord)		4A6865-01	1								
11	Pressure Relief Valve	All UC/WT Freezers	4A5694-01	1								
12	LED Driver	GLP01	1A5501-01	1								
13	LED Lamp		3A9348-01	1								
14	LED Clip		4A5906-01	2								
15	LED Switch		4A6067-01	1								
16	LED Switch Gasket		4A6075-01	1								
17	Channel		4A6064-01	1								

Title: A. Main Assembly Models: UR27B, WR27B, SR27B, UF27B, and WF27B Undercounter, Worktop, and Prep Table

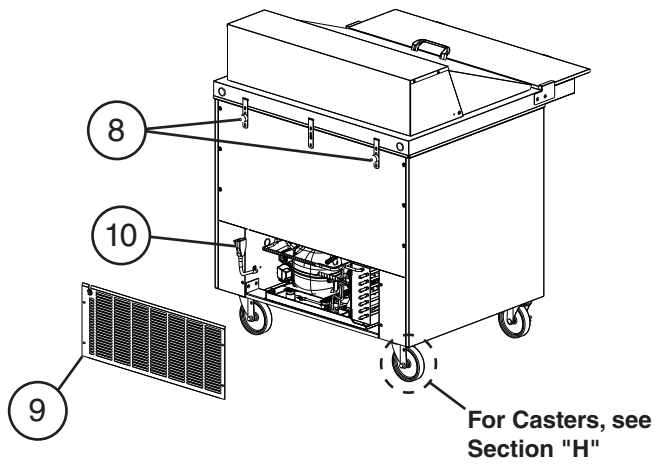
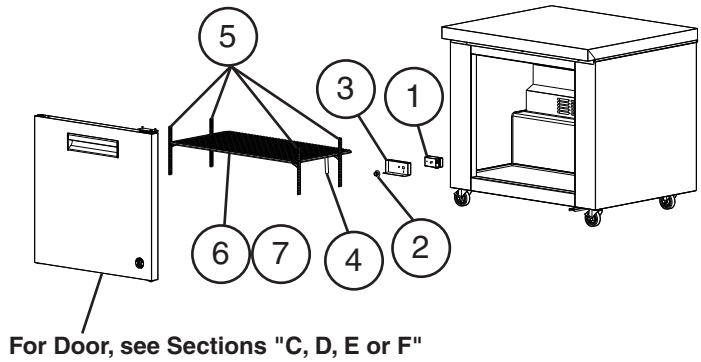
Index No.	Description	Material or Model Number	Part Number	Required Number									
				K-5 to M-5									
Prep Table Specific Parts													
18	Rail Hood		3A9407A01	1									
19	Rail Cover (includes items 20 through 24a)	-8, -8D2	3A9410A01	1									
		-12M, -12MD2	3A9411A01	1									
20	Pivot Pin		4A6161-01	2									
21	Pivot Bolt		4A6160-01	2									
22	Flat Washer		7W22I0832	2									
23	Tree Clip		4A0579-01	2									
24	Handle		1A3416-01	1									
24a	Pan Head Screw		7C12I1412	2									
25	Right Cutting Board Bracket	-8, -8D2, -12M, -12MD2	3A8971-02	1									
26	Left Cutting Board Bracket	-8, -8D2, -12M, -12MD2	3A8971-01	1									
27	Center Cutting Board Bracket	-8, -8D2	4A5905-01	1									
		-12M, -12MD2	4A6794-01	2									
28	Rail Divider (front-to-back)	-8, -8D2 (HS-5187)	3A8903-01	1									
		-12M, -12MD2 (HS-5184)	3A8855-01	1									
29	Rail Divider (side-to-side)	-8, -8D2 (HS-5185)	3B0027-03	2									
		-12M, -12MD2 (HS-5185)		4									
30	Catch Tray (includes items 31 through 33)	-8, -8D	2A9781A01	1									
		-12M, -12MD2	2A9781A02	1									
31	Handle		4A4518-01	1									
32	Pan Head Screw	8x32	7C12I0838	2									
33	Flat Washer	-8, -8D	7W22-0400	2									
		-12M, -12MD2	7W22-0500	2									

A. Main Assembly

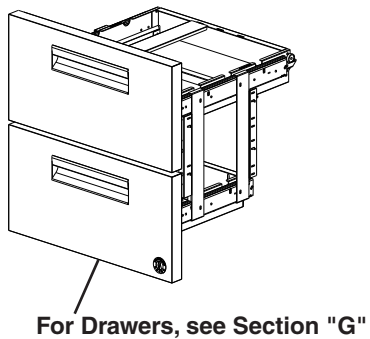
UR36B, WR36B, SR36B Undercounter, Worktop, and Prep Table

K-5 to M-5

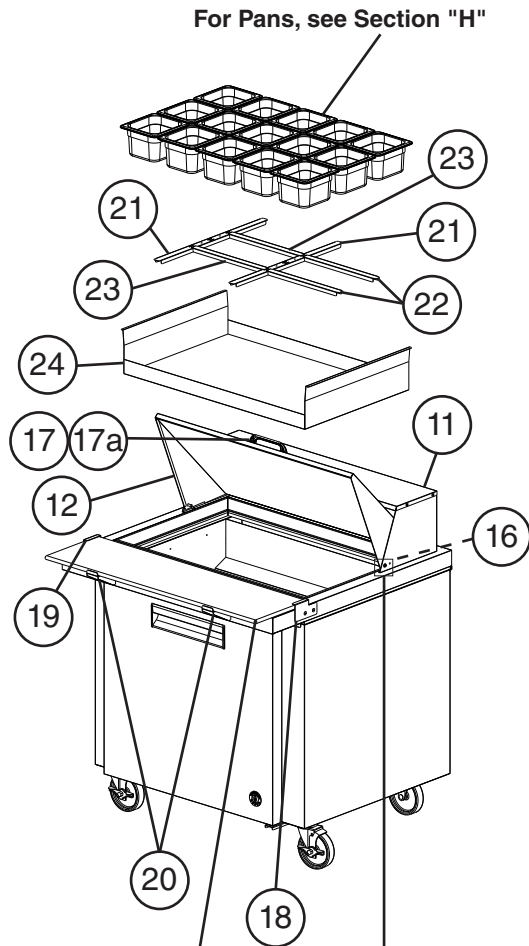
Undercounter, Worktop, Prep Table Common Parts



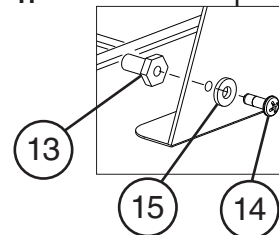
Model Shown: SR36B-15M



Prep Table Specific Parts



For Cutting Board, see Section "H"



Model Shown: SR36B-15M

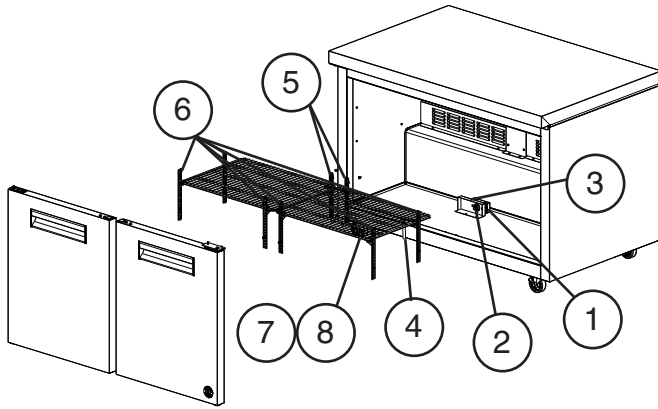
Title: A. Main Assembly Models: UR36B, WR36B, and SR36B Undercounter, Worktop, and Prep Table													
Index No.	Description	Material or Model Number	Part Number	Required Number									
				K-5 to M-5									
Common Parts													
1	Control Module	UC/WT	4A6907G01	1									
		Prep Table	4A6907G02	1									
2	Dial Knob		4A7052-01	1									
3	Control Module Bracket		3B0929-01	1									
4	Cabinet Thermometer		461083-02	1									
5	Side Pilaster		4A5719-01	4									
6	Shelf		3A6876-05	1									
7	Shelf Clip		4A5418-01	6									
8	Bumper		3A6696-01	2									
9	Rear Panel		1A6057-01	1									
10	Wire Harness (includes power cord)		4A6865-01	1									
Prep Table Specific Parts													
11	Rail Hood		3A9406A01	1									
12	Rail Cover (includes items 13 through 17a)	-10	3A9408A01	1									
		-15M	3A9409A01	1									
13	Pivot Pin		4A6161-01	2									
14	Pivot Bolt		4A6160-01	2									
15	Flat Washer		7W2210832	2									
16	Tree Clip		4A0579-01	2									
17	Handle		1A3416-01	1									
17a	Pan Head Screw		7C1211412	2									
18	Right Cutting Board Bracket		3A8971-02	1									
19	Left Cutting Board Bracket		3A8971-01	1									
20	Center Cutting Board Bracket	-10	4A5905-01	1									
		-15M	4A6794-01	2									
21	Rail Divider (front-to-back)	-10 (HS-5187)	3A8903-01	2									
		-15M (HS-5184)	3A8855-01	2									
22	Rail Divider (side-to-side outer)	-10 (HS-5185)	3B0027-03	1									
		-15M (HS-5185)		2									
23	Rail Divider (side-to-side center)	-10 (HS-5186)	3B0028-03	1									
		-15M (HS-5186)		2									
24	Catch Tray	-10	1A6157-02	1									
		-15M	1A6157-03	1									

A. Main Assembly

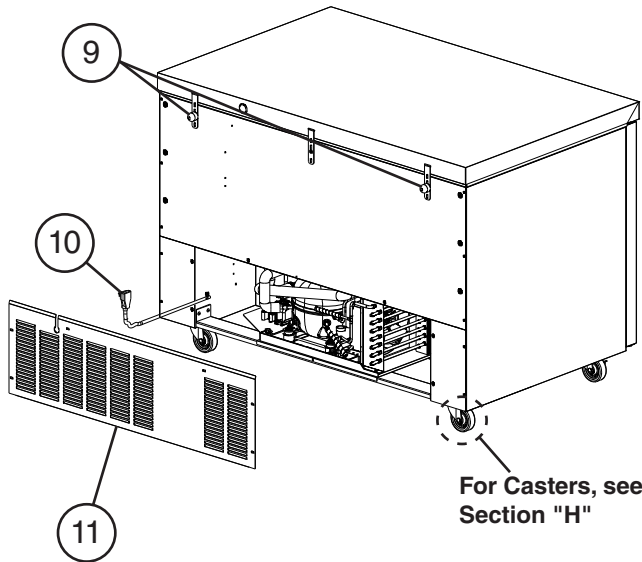
UR48B, WR48B, SR48B, UF48B, and WF48B Undercounter, Worktop, and Prep Table

L-5, M-5

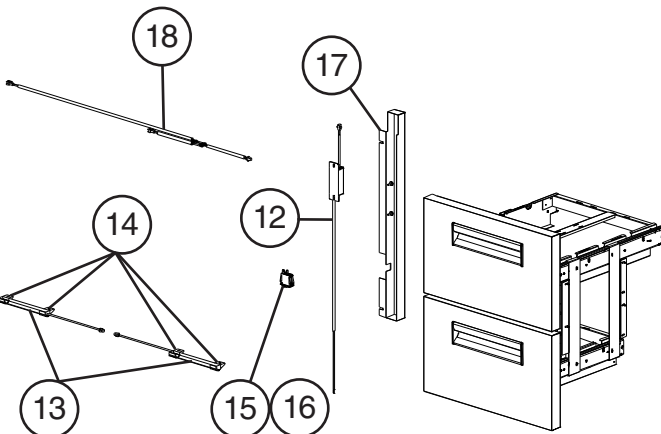
Undercounter, Worktop, Prep Table Common Parts



For Door, See Sections "C, D, E, or F"



For Casters, see Section "H"

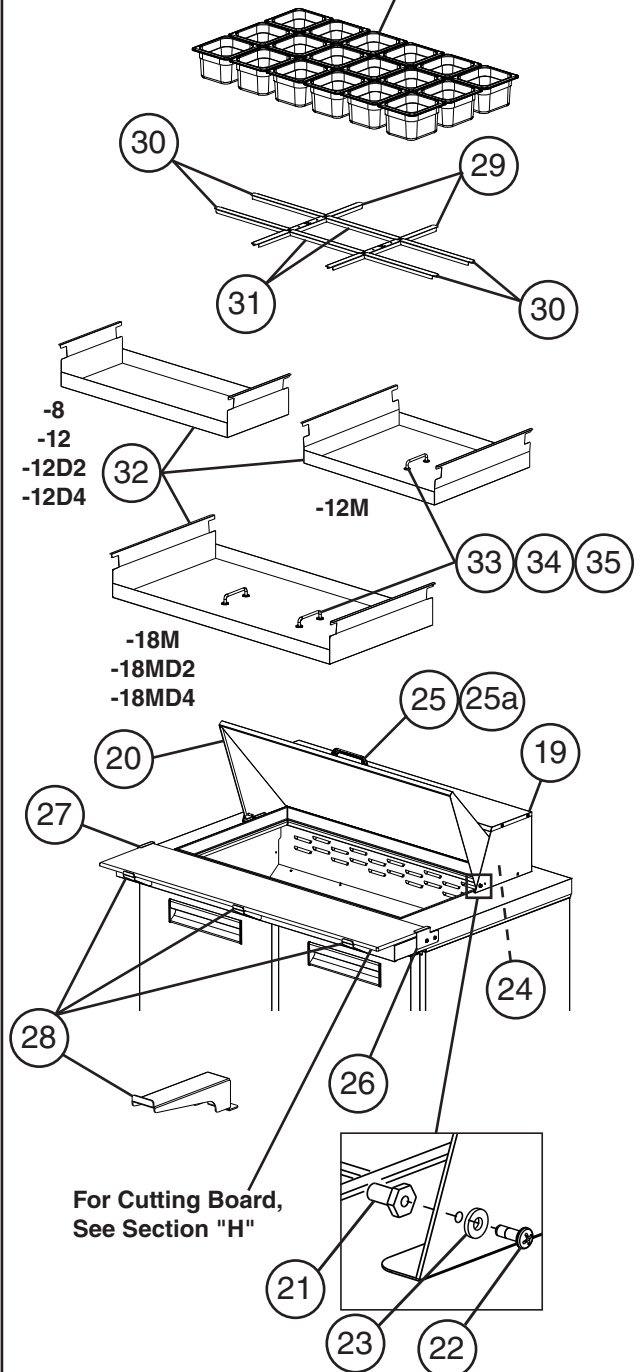


LED Light Assembly:
Glass Door Models

For Drawers and Mullion,
See Section "G"

Prep Table Specific Parts

For Pans, see Section "H"



For Cutting Board,
See Section "H"

Model Shown: SR48B-18M

Title: A. Main Assembly Models: UR48B, WR48B, SR48B, UF48B, and WF48B Undercounter, Worktop, and Prep Table											
Index No.	Description	Material or Model Number	Part Number	Required Number							
				L-5							
Common Parts											
1	Control Module	UC/WT Refrigerator	4A6907G01	1							
		UC/WT Freezers	4A6907G03	1							
		Prep Tables	4A6907G02	1							
2	Dial Knob		4A7052-01	1							
3	Control Module Bracket		3B0732-01	1							
4	Cabinet Thermometer		461083-02	1							
5	Center Rear Pilaster	UC/WT/ Prep Tables Except -D(x) Models	4A5417-01	2							
6	Front and Side Pilaster	Door/Door	4A5419-01	6							
		Door/Drawer		4							
7	Shelf	Door/Door	3A2830-08	2							
		Door/Drawer		1							
8	Shelf Clip	Door/Door	4A5418-01	8							
		Door/Drawer		4							
9	Bumpers		3A6696-01	2							
10	Wire Harness (includes power cord)		4A6865-01	1							
11	Rear Panel		1A6169-01	1							
12	LED Driver	UR48B-GLP01	1A5501-01	1							
13	LED Lamp		3A9348-01	2							
14	LED Clip		4A5906-01	4							
15	LED Switch		4A6067-01	1							
16	LED Switch Gasket		4A6075-01	1							
17	Channel		4A6064-01	1							
18	LED Wire Harness		4A6080-01	1							
Prep Table Specific Parts											
19	Rail Hood	-8	3A9404A01	1							
		-12, -12D2, -12D4	3A9394A01	1							
		-12M	3A9403A01	1							
		-18M, -18MD2, -18MD4	3A9395A01	1							
20	Rail Cover Assembly (includes items 21 through 25a)	-8	3A9405A01	1							
		-12, -12D2, -12D4	3A9398A01	1							
		-12M	3A9402A01	1							
		-18M, -18MD2, -18MD4	3A9399A01	1							
21	Pivot Pin		4A6161-01	2							
22	Pivot Bolt		4A6160-01	2							
23	Flat Washer		7W22I0832	2							
24	Tree Clip		4A0579-01	2							
25	Handle		1A3416-01	1							
25a	Pan Head Screw		7C12I1412	2							

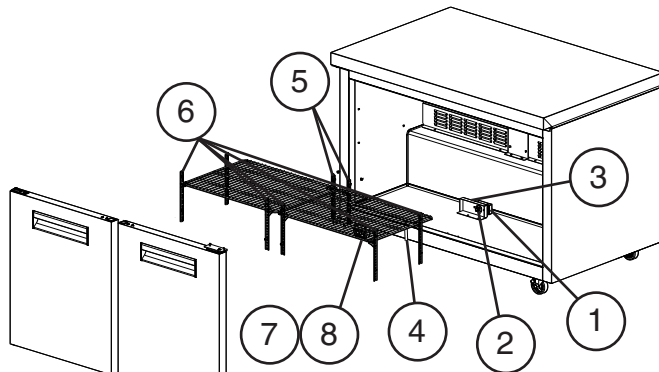
Title: A. Main Assembly Models: UR48B, WR48B, SR48B, UF48B, and WF48B Undercounter, Worktop, and Prep Table												
Index No.	Description	Material or Model Number	Part Number	Required Number								
				L-5	M-5							
26	Right Cutting Board Bracket		3A8971-02	1								
27	Left Cutting Board Bracket		3A8971-01	1								
28	Center Cutting Board Bracket	-8, -12, -12D2, -12D4	4A5905-01	2								
		-12M, -18M, -18MD2, -18MD4	4A6794-01	3								
29	Rail Divider A (front-to-back)	-8 (HS-5188)	3A8904-01	1								
		-12, -12D2, -12D4 (HS-5188)		2								
		-12M (HS-5184)	3A8855-01	1								
		-18M, -18MD2, -18MD4 (HS-5184)		2								
30	Rail Divider B (side-to-side)	-8 (HS-5189)	3B0027-01	1								
		-12, -12D2, -12D4 (HS-5189)		2								
		-12M (HS-5185)	3B0027-03	4								
	(outer side-to-side) -18M -18MD2, -18MD4 (HS-5185)	4										
31	Rail Divider C (center side-to-side)	-12	3B0028-01	1								
		-18M, -18MD2, -18MD4 (HS-5186)	3B0028-03	2								
32	Catch Tray	-8	1A6260-01	1								
		-12, -12D2, -12D4	1A4221-03	1								
	(includes items 33 through 35)	-12M	2A9781A02	1								
		-18M, -18MD2, -18MD4	2A8667A01	1								
33	Handle	12M	4A4518-01	1								
		-18M, -18MD2, -18MD4		2								
34	Pan Head Screw	-12M	7C1210838	2								
		-18M, -18MD2, -18MD4		4								
35	Flat Washer	-12M, -12MD2	7W22-0500	2								
		-18M, -18MD2, -18MD4	7W22-0400	4								

A. Main Assembly

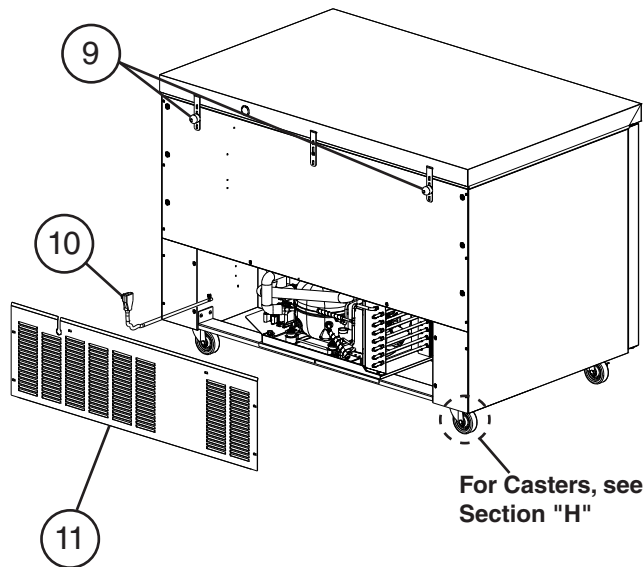
UR60B, WR60B, SR60B, UF60B, and WF60B Undercounter, Worktop, and Prep Table

L-5, M-5

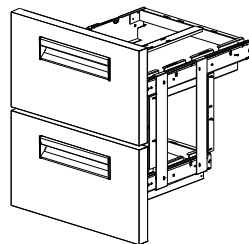
Undercounter, Worktop, Prep Table Common Parts



For Door, See Sections "C, D, E, or F"



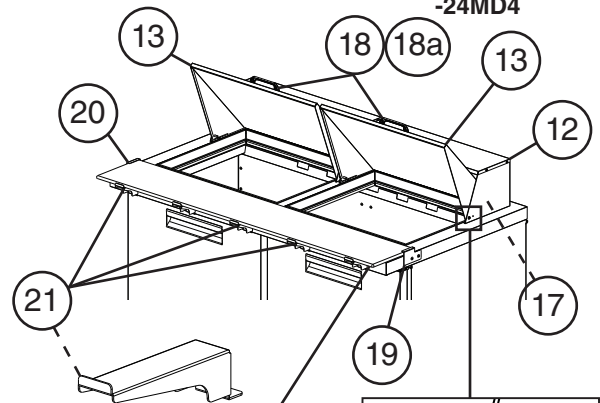
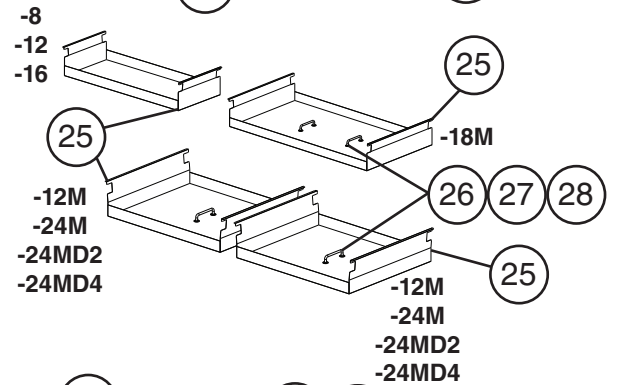
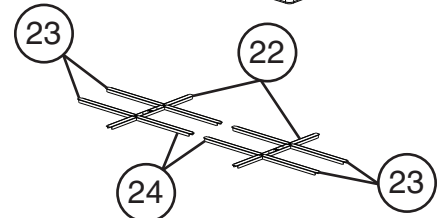
For Casters, see Section "H"



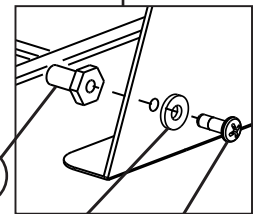
For Drawers and Mullion,
See Section "G"

Prep Table Specific Parts

For Pans, see Section "H"



For Cutting Board,
See Section "H"



Model Shown: SR60B-24M

Title: A. Main Assembly Models: UR60B, WR60B, SR60B, UF60B, and WF60B Undercounter, Worktop, and Prep Table

Index No.	Description	Material or Model Number	Part Number	Required Number									
				L-5									
Common Parts													
1	Control Module	UC/WT Refrigerator	4A6907G01	1									
		UC/WT Freezers	4A6907G03	1									
		Prep Tables	4A6907G02	1									
2	Dial Knob		4A7052-01	1									
3	Control Module Bracket		3B0732-01	1									
4	Cabinet Thermometer		461083-02	1									
5	Center Rear Pilaster	UC/WT/Prep Tables Except -D(x) Models	4A5417-01	2									
6	Front and Side Pilaster	Door/Door	4A5719-01	6									
		Door/Drawer		4									
7	Shelf	Door/Door	3A2830-09	2									
		Door/Drawer		1									
8	Shelf Clip	Door/Door	4A5418-01	8									
		Door/Drawer		4									
9	Bumpers		3A6696-01	2									
10	Wire Harness (includes power cord)		4A6865-01	1									
11	Rear Panel		1A6155-01	1									

Title: A. Main Assembly Models: UR60B, WR60B, SR60B, UF60B, and WF60B Undercounter, Worktop, and Prep Table												
Index No.	Description	Material or Model Number	Part Number	Required Number								
				L-5								
Prep Table Specific Parts												
12	Rail Hood	-8	3A9404A01	1								
		-12	3A9394A01	1								
		-16	3A9396A01	1								
		-12M	3A9403A01	1								
		-18M	3A9395A01	1								
		-24M(D2)(D4)	3A9403A01	2								
13	Rail Cover Assembly (includes items 14 through 18a)	-8	3A9405A01	1								
		-12	3A9398A01	1								
		-16	3A9400A01	1								
		-12M	3A9402A01	1								
		-18M	3A9399A01	1								
		-24M(D2)(D4)	3A9402A01	2								
14	Pivot Pin	-8, -12, -16, 18M	4A6161-01	2								
		-24M(D2)(D4)		4								
15	Pivot Bolt	-8, -12, -16, 18M	4A6160-01	2								
		-24M(D2)(D4)		4								
16	Flat Washer	-8, -12, -16, 18M	7W22I0832	2								
		-24M(D2)(D4)		4								
17	Tree Clip	-8, -12, -16, 18M	4A0579-01	2								
		-24M(D2)(D4)		4								
18	Handle	-8, -12, -16, 18M	1A3416-01	1								
		-24M(D2)(D4)		2								
18a	Pan Head Screw	-8, -12, -16, 18M	7C12I1412	2								
		-24M(D2)(D4)		4								
19	Right Cutting Board Bracket		3A8971-02	1								
20	Left Cutting Board Bracket		3A8971-01	1								
21	Center Cutting Board Bracket	-8, -12, -16	4A5905-01	3								
		-12M, -18M, -24M(D2)(D4)	4A6794-01	3								

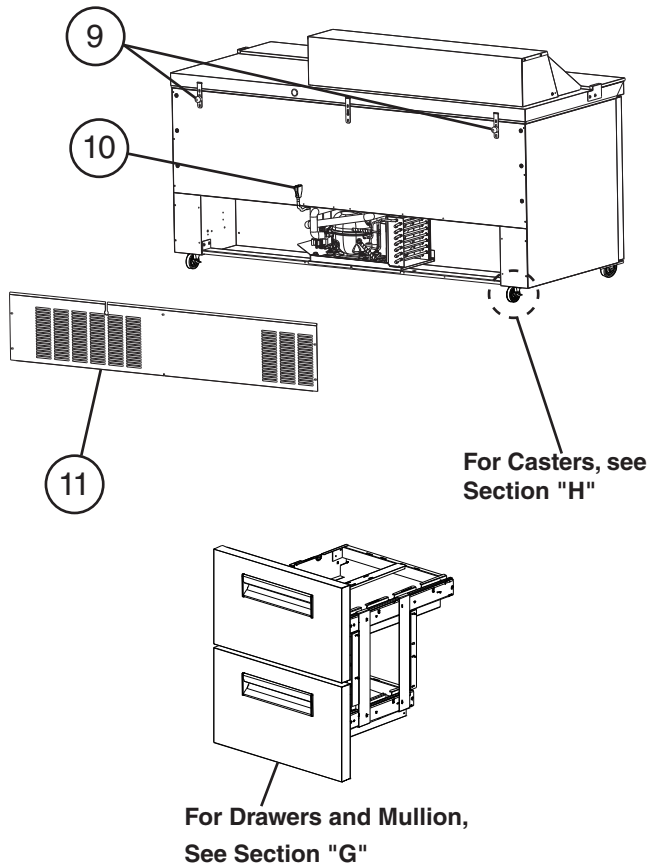
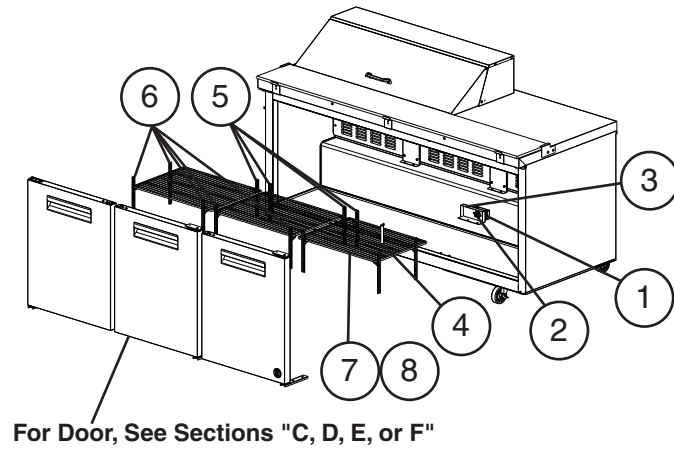
Title: A. Main Assembly Models: UR60B, WR60B, SR60B, UF60B, and WF60B Undercounter, Worktop, and Prep Table											
Index No.	Description	Material or Model Number	Part Number	Required Number							
				L-5	M-5						
22	Rail Divider A (front-to-back)	-8 (HS-5188)	3A8904-01	1							
		-12, (HS-5188)		2							
		-16 (HS-5188)		3							
		-12M (HS-5184)	3A8855-01	1							
		-18M, -24M(D2)(D4) (HS-5184)		2							
23	Rail Divider B (side-to-side)	-8 (HS-5189)	3B0027-01	2							
	(outer side to side)	-12 (HS-5189)		2							
		-16 (HS-5189)		2							
	(side to side)	-12M (HS-5185)	3B0027-03	4							
	(outer side-to-side)	-18M (HS-5185)		4							
	(side to side)	-24M(D2)(D4) (HS-5185)		8							
24	Rail Divider C (center side-to-side)	-12 (HS-5190)	3B0028-01	1							
		-16 (HS-5190)		2							
		-18M (HS-5186)	3B0028-03	2							
25	Catch Tray	-8	1A6260-01	1							
		-12	1A4221-03	1							
		-16	1A4221-01	2							
	(includes items 26 through 28)	-18M	2A8667A01	1							
		-12M -24M(D2)(D4)	2A9781A02	1 2							
26	Handle	-12M	4A4518-01	1							
		-18M, -24M(D2)(D4)		2							
27	Pan Head Screw	-12M	7C1210838	2							
		-18M, -24M(D2)(D4)		4							
28	Flat Washer	-12M	7W22-0500	2							
		-24M(D2)(D4)		4							
		-18M	7W22-0400	4							

A. Main Assembly

UR72B, WR72B, SR72B Undercounter, Worktop, and Prep Table

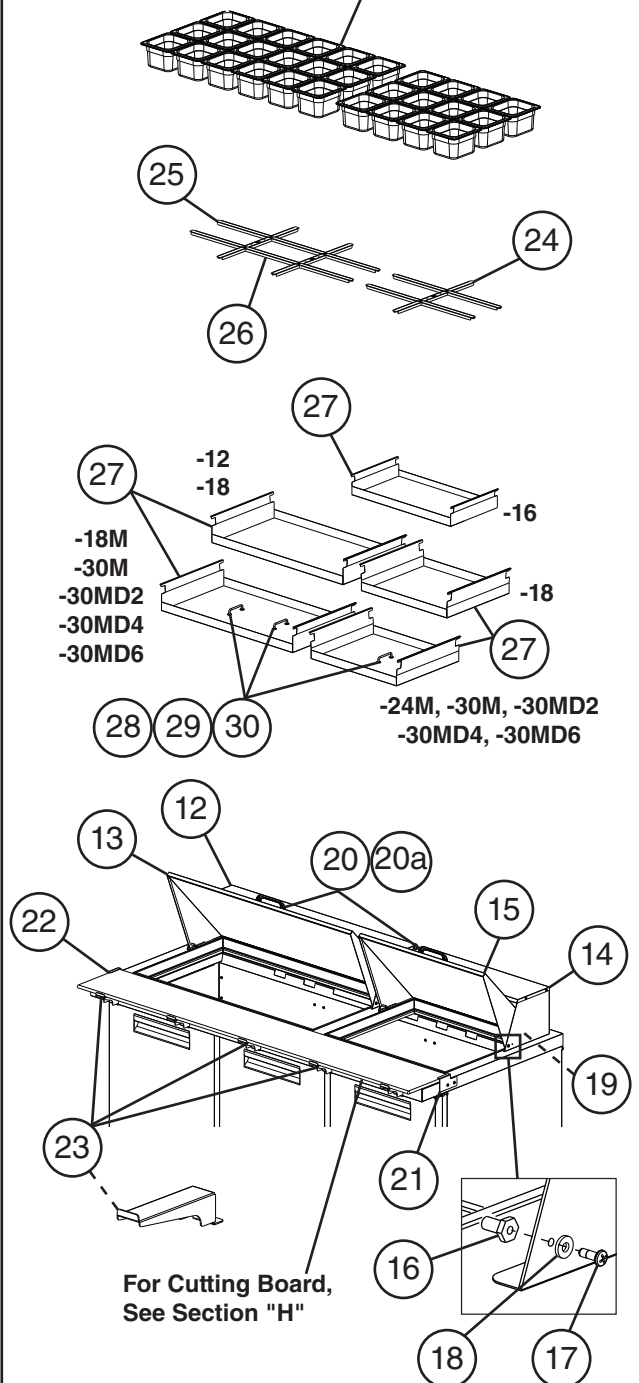
L-5, M-5

Undercounter, Worktop, Prep Table Common Parts



Prep Table Specific Parts

For Pans, see Section "H"

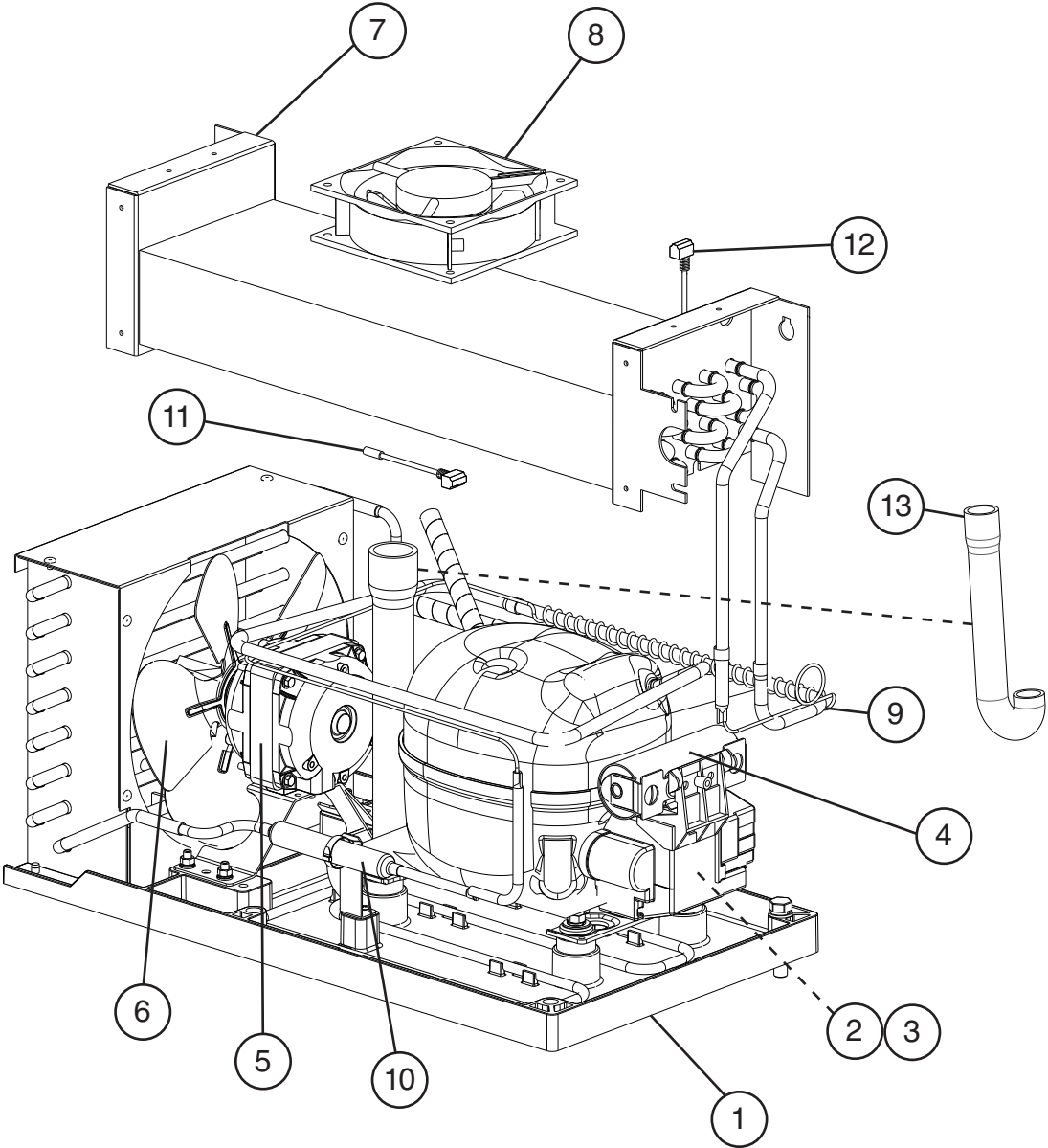


Title: A. Main Assembly Models: UR72B, WR72B, SR72B Undercounter, Worktop, and Prep Table											
Index No.	Description	Material or Model Number	Part Number	Required Number							
				L-5	M-5						
Common Parts											
1	Control Module	UC/WT Refrigerator	4A6907G01	1							
		Prep Tables	4A6907G02	1							
2	Dial Knob		4A7052-01	1							
3	Control Module Bracket		3B0732-01	1							
4	Cabinet Thermometer		461083-02	1							
5	Center Rear Pilaster	SR72B-30MD2	4A5417-01	2							
		UR72B(-01), WR72B(-01) SR72B-12, -16, -18(M) SR72B-24M, -30M		4							
6	Front and Side Pilaster	SR72B-30MD4	4A5719-01	4							
		SR72B-30MD2		6							
		UR72B(-01), WR72B(-01) SR72B-12, -16, -18(M) SR72B-24M, -30M		8							
7	Shelf	SR72B-30MD2	3A2830-07	2							
		UR72B(-01), WR72B(-01) SR72B-12, -16, -18(M) SR72B-24M, -30M		3							
		SR72B-30MD4	3A2830-08	1							
8	Shelf Clip	SR72B-30MD4	4A5418-01	4							
		SR72B-30MD2		8							
		UR72B(-01), WR72B(-01) SR72B-12, -16, -18(M) SR72B-24M, -30M		12							
9	Bumpers		3A6696-01	2							
10	Wire Harness (includes power cord)		4A6865-01	1							
11	Rear Panel		1A6182-01	1							
Prep Table Specific Parts											
12	Rail Hood	-12	3A9394A01	1							
		-16	3A9396A01	1							
		-18	3A9397A01	1							
		-18M	3A9395A01	1							
	Left Rail Hood	-24M	3A9403A01	1							
		-30M(D2)(D4)(D6)	3A9395A01	1							
13	Rail Cover Assembly (includes items 16 through 20a)	-12	3A9398A01	1							
		-16	3A9400A01	1							
		-18	3A9401A01	1							
		-18M	3A9399A01	1							
	Left Rail Cover (includes items 16 through 20a)	-24M	3A9402A01	1							
-30M(D2)(D4)(D6)		3A9399A01	1								
14	Right Rail Hood	-24M	3A9403A01	1							
		-30M(D2)(D4)(D6)		1							
15	Right Rail Cover Assembly (includes items 16 through 20a)	-24M	3A9402A01	1							
		-30M(D2)(D4)(D6)		1							

Title: A. Main Assembly Models: UR72B, WR72B, SR72B Undercounter, Worktop, and Prep Table											
Index No.	Description	Material or Model Number	Part Number	Required Number							
				L-5	M-5						
16	Pivot Pin	-12, -16, -18, -18M	4A6161-01	2							
		-24M, -30M(D2)(D4)(D6)		4							
17	Pivot Bolt	-12, -16, -18, -18M	4A6160-01	2							
		-24M, -30M(D2)(D4)(D6)		4							
18	Flat Washer	-12, -16, -18, -18M	7W2210832	2							
		-24M, -30M(D2)(D4)(D6)		4							
19	Tree Clip	-12, -16, -18, -18M	4A0579-01	2							
		-24M, -30M(D2)(D4)(D6)		4							
20	Handle	-12, -16, -18, -18M	1A3416-01	1							
		-24M, -30M(D2)(D4)(D6)		2							
20a	Pan Head Screw	-12, -16, -18, -18M	7C1211412	2							
		-24M, -30M(D2)(D4)(D6)		4							
21	Right Cutting Board Bracket		3A8971-02	1							
22	Left Cutting Board Bracket		3A8971-01	1							
23	Center Cutting Board Bracket	-12, -16, -18	4A5905-01	3							
		-18M, -24M, -30M(D2)(D4)(D6)	4A6794-01	4							
24	Rail Divider A (front-to-back)	-12, -18 (HS-5188)	3A8904-01	2							
		-16 (HS-5188)		3							
		-18M, -24M (HS-5184)	3A8855-01	2							
		-30M(D2)(D4)(D6) (HS-5184)		3							
25	Rail Divider B (side-to-side)	-12 (HS-5189)	3B0027-01	2							
	(outer side to side)	-16 (HS-5189)		2							
		-18 (HS-5185)	3B0027-02	2							
	(outer side to side)	-18M (HS-5185)	3B0027-03	4							
	(side to side)	-24M (HS-5185)		8							
(outer side-to-side)	-30M(D2)(D4)(D6) (HS-5185)	8									
26	Rail Divider C (center side-to-side)	-12 (HS-5190)	3B0028-01	1							
		-16 (HS-5190)		2							
		-18 (HS-5186)	3B0028-02	1							
		-18M, -30M(D2)(D4)(D6) (HS-5186)	3B0028-03	2							

Title: A. Main Assembly Models: UR72B, WR72B, SR72B Undercounter, Worktop, and Prep Table												
Index No.	Description	Material or Model Number	Part Number	Required Number								
				L-5								
27	Catch Tray	-12	1A4221-03	1								
		-16	1A4221-01	2								
		-18	1A6260-02	1								
			1A6260-03	1								
		-18M	2A8667A01	1								
		-24M	2A9781A02	2								
		-30M(D2)(D4)(D6)		1								
2A8667A01	1											
28	Handle	-18M, -24M	4A4518-01	2								
		-30M(D2)(D4)(D6)		3								
29	Pan Head Screw	-18M, -24M	7C12I0838	4								
		-30M(D2)(D4)(D6)		6								
30	Flat Washer	-18M	7W22-0400	4								
		-30M(D2)(D4)(D6)		4								
		-24M	7W22-0500	4								
		-30M(D2)(D4)(D6)		2								

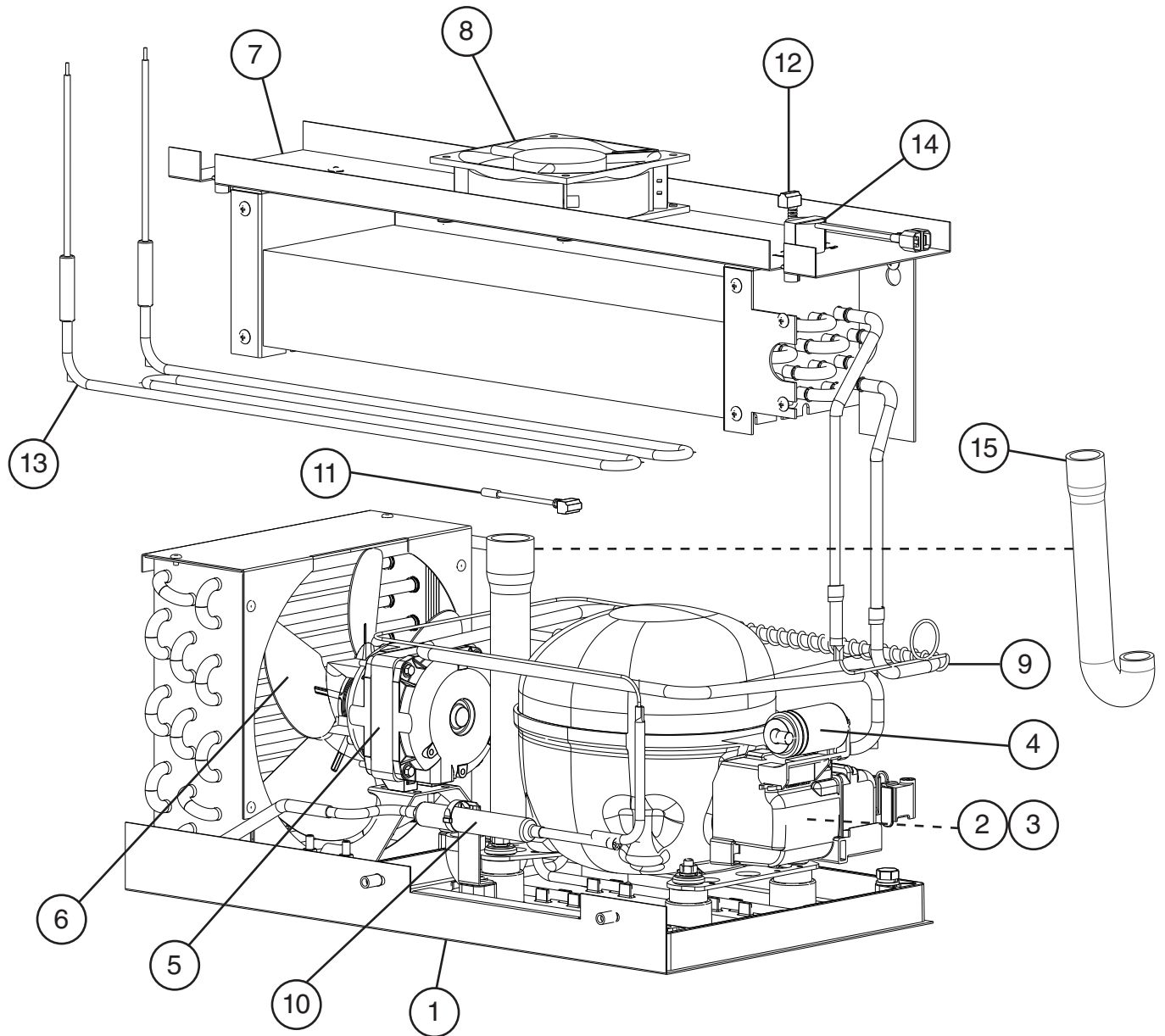
B. Refrigeration Circuit
UR27B and WR27B Undercounter and Worktop
K-5 to M-5



For compressor or condenser replacement, order item 1.

Title: B. Refrigeration Circuit Models: UR27B and WR27B Undercounter, Worktop												
Index No.	Description	Material or Model Number	Part Number	Required Number								
				K-5 to M-5								
1	Condensing Unit (includes compressor, condenser, and items 2 through 6; compressor and condenser are not sold individually)		3B0589-01	1								
2	External Protector		3A9522-01	1								
3	Start Relay		3A9523-01	1								
4	Start Capacitor	145-175MFD, 250VAC	3A9524-01	1								
5	Condenser Fan Motor		3A6798-01	1								
6	Condenser Fan Blade		3A6799-01	1								
7	Evaporator		2A9386-01	1								
8	Evaporator Fan Motor		4A6192-01	1								
9	Heat Exchanger (includes capillary tube)		3B0763G01	1								
10	Drier		4A5576-01	1								
11	Cabinet Thermistor		4A6878-02	1								
12	Defrost Thermistor		4A6878-01	1								
13	Drain Hose		3B0477-01	1								

B. Refrigeration Circuit
SR27B, UF27B, WF27B, UR36B, WR36B, and SR36B Undercounter, Worktop, and Prep Table
 K-5 to M-5



For compressor or condenser replacement, order item 1.

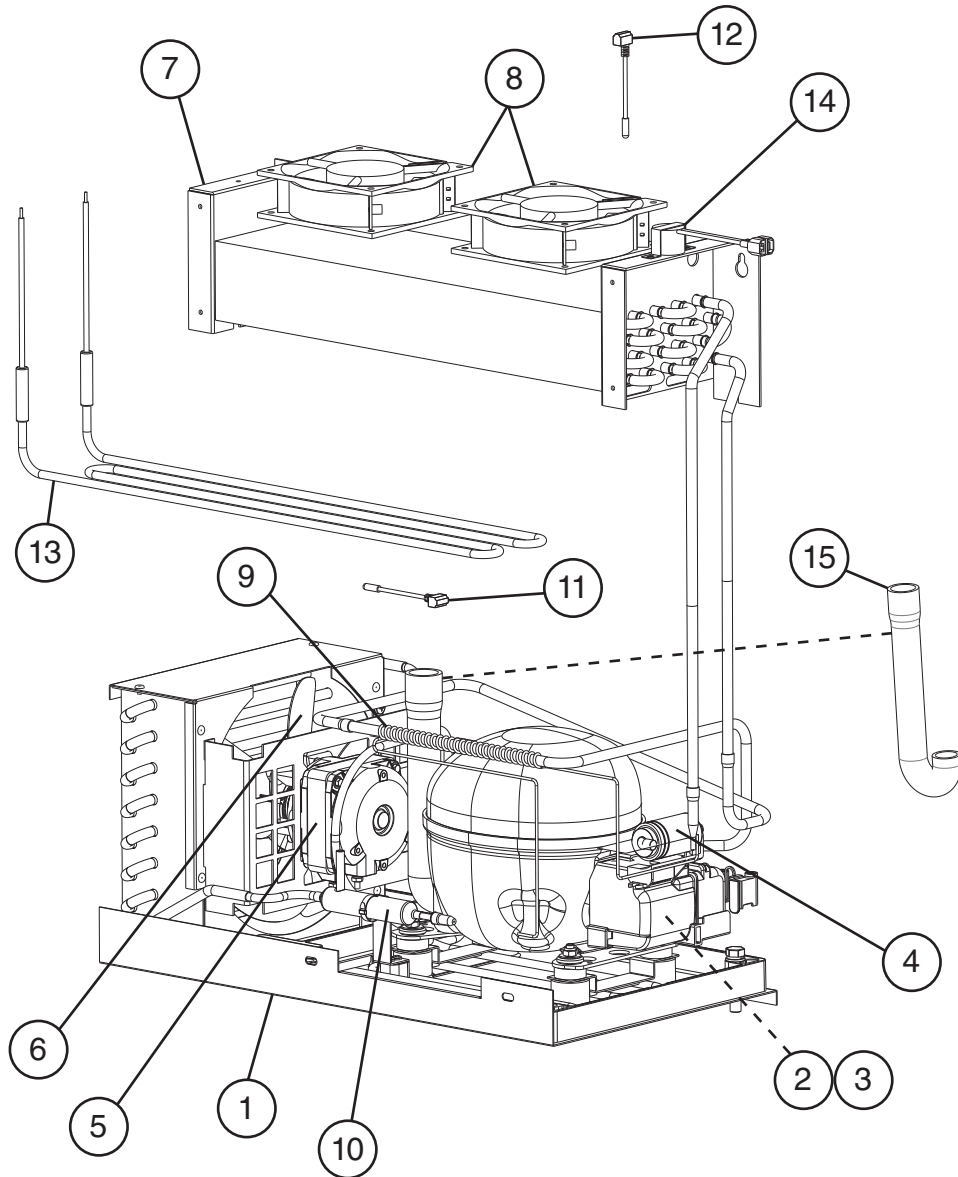
Title: B. Refrigeration Circuit Models: UF27B, WF27B, SR27B, UR36B, WR36B, and SR36B Undercounter, Worktop, and Prep Table

Index No.	Description	Material or Model Number	Part Number	Required Number									
				K-5 to M-5									
1	Condensing Unit (includes compressor, condenser, and items 2 through 6; compressor and condenser are not sold individually)		3B0453-01	1									
2	External Protector		3A9475-01	1									
3	PTC Start Relay		3A9476-01	1									
4	Run Capacitor	12MFD, 250VAC	3A9477-01	1									
5	Condenser Fan Motor		3A6798-01	1									
6	Condenser Fan Blade		3A6799-01	1									
7	Evaporator		2A9386-01	1									
8	Evaporator Fan Motor		4A6192-01	1									
9	Heat Exchanger (includes capillary tube)	UF27B and WF27B	3B0764G01	1									
		SR27B, UR36B, WR36B, and SR36B	3B0790G01	1									
10	Drier		4A5576-01	1									
11	Cabinet Thermistor		4A6878-02	1									
12	Defrost Thermistor		4A6878-01	1									
13	Defrost Heater	SR27B, UF27B, WF27B, and SR36B	3B0457-01	1									
14	Defrost Safety Thermostat	SR27B, UF27B, WF27B, and SR36B	4A6194-01	1									
15	Drain Hose		3B0477-01	1									

B. Refrigeration Circuit

UR48B, WR48B, UF48B, WF48B, and SR48B Undercounter, Worktop, and Prep Table

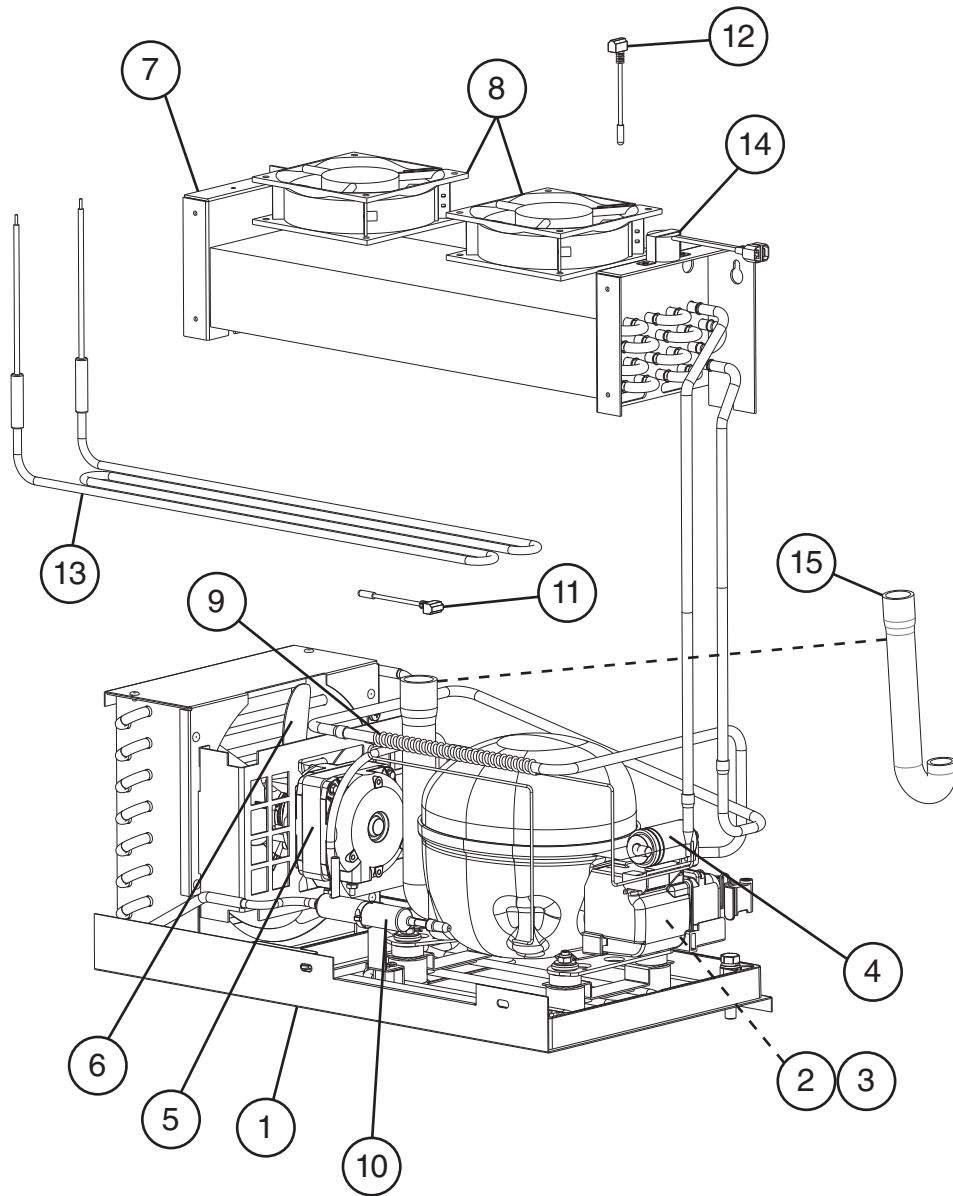
L-5, M-5



For compressor or condenser replacement, order item 1.

Title: B. Refrigeration Circuit Models: UR48B, WR48B, UF48B, WF48B, and SR48B Undercounter, Worktop, and Prep Table												
Index No.	Description	Material or Model Number	Part Number	Required Number								
				L-5	M-5							
1	Condensing Unit (includes compressor, condenser, and items 2 through 6; compressor and condenser are not sold individually)	UC/WT Refrigerator	3B0453-01	1								
		Prep Table										
		UC/WT Freezer	3B0964-01	1								
2	External Protector	UC/WT Refrigerator	3A9475-01	1								
		Prep Table										
		UC/WT Freezer	3B0897-01	1								
3	PTC Start Relay	All	3A9476-01	1								
4	Run Capacitor	UC/WT Refrigerator	3A9477-01	1								
		Prep Table										
		Freezer	3B0898-01	1								
		20MFD, 250VAC										
5	Condenser Fan Motor		3A6798-01	1								
6	Condenser Fan Blade		3A6799-01	1								
7	Evaporator		2A9386-01	1								
8	Evaporator Fan Motor		4A6192-01	2								
9	Heat Exchanger (includes capillary tube)	UC/WT Refrigerator	3B0790G01	1								
		Prep Table	3B0805G01	1								
		UC/WT Freezer	3B0820G01	1								
10	Drier		4A5576-01	1								
11	Cabinet Thermistor		4A6878-02	1								
12	Defrost Thermistor		4A6878-01	1								
13	Defrost Heater	Prep Table and Freezer	3B0457-01	1								
14	Defrost Safety Thermostat	Prep Table and Freezer	4A6194-01	1								
15	Drain Hose		3B0477-01	1								

B. Refrigeration Circuit
UR60B, WR60B, UF60B, WF60B, and SR60B Undercounter, Worktop,
and Prep Table
L-5, M-5



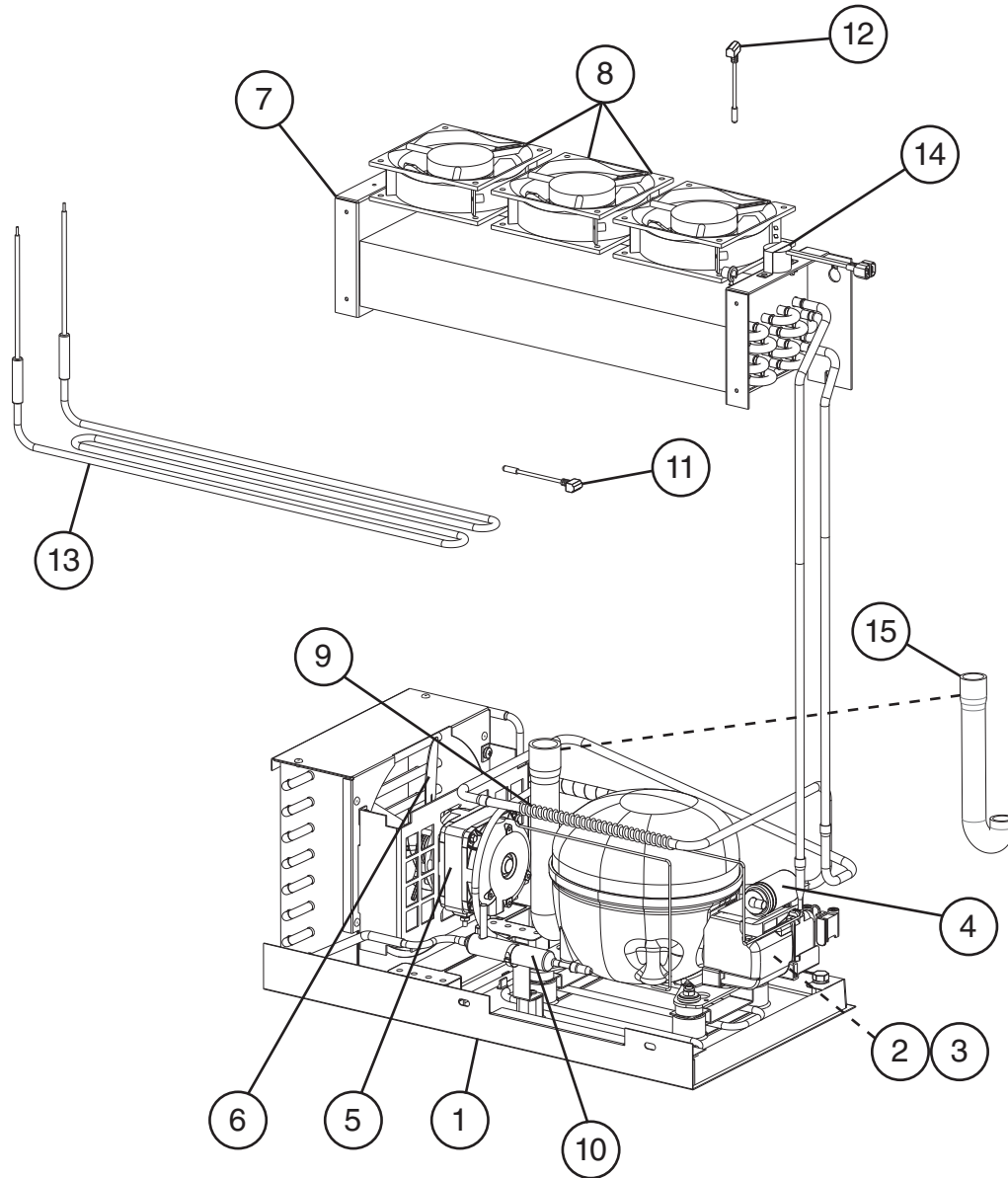
For compressor or condenser replacement, order item 1.

Title: B. Refrigeration Circuit Models: UR60B, WR60B, UF60B, WF60B, and SR60B Undercounter, Worktop, and Prep Table												
Index No.	Description	Material or Model Number	Part Number	Required Number								
				L-5 M-5								
1	Condensing Unit (includes compressor, condenser, and items 2 through 6; compressor and condenser are not sold individually)	UC/WT Refrigerator	3B0453-01	1								
		Prep Table/ UC/WT Freezer	3B0964-01	1								
2	External Protector	UC/WT Refrigerator Prep Table	3A9475-01	1								
		UC/WT Freezer	3B0897-01	1								
3	PTC Start Relay		3A9476-01	1								
4	Run Capacitor	UC/WT Refrigerator 12MFD, 250VAC	3A9477-01	1								
		Prep Table/ UC/WT Freezer 20MFD, 250VAC	3B0898-01	1								
5	Condenser Fan Motor		3A6798-01	1								
6	Condenser Fan Blade		3A6799-01	1								
7	Evaporator		2A9386-01	1								
8	Evaporator Fan Motor		4A6192-01	2								
9	Heat Exchanger (includes capillary tube)	UC/WT Refrigerator	3B0790G01	1								
		Prep Table	3B0805G01	1								
		UC/WT Freezer	3B0820G01	1								
10	Drier		4A5576-01	1								
11	Cabinet Thermistor		4A6878-02	1								
12	Defrost Thermistor		4A6878-01	1								
13	Defrost Heater	Prep Table and Freezer	3B0457-01	1								
14	Defrost Safety Thermostat	Prep Table and Freezer	4A6194-01	1								
15	Drain Hose		3B0477-01	1								

B. Refrigeration Circuit

UR72B, WR72B, and SR72B Undercounter, Worktop, and Prep Table

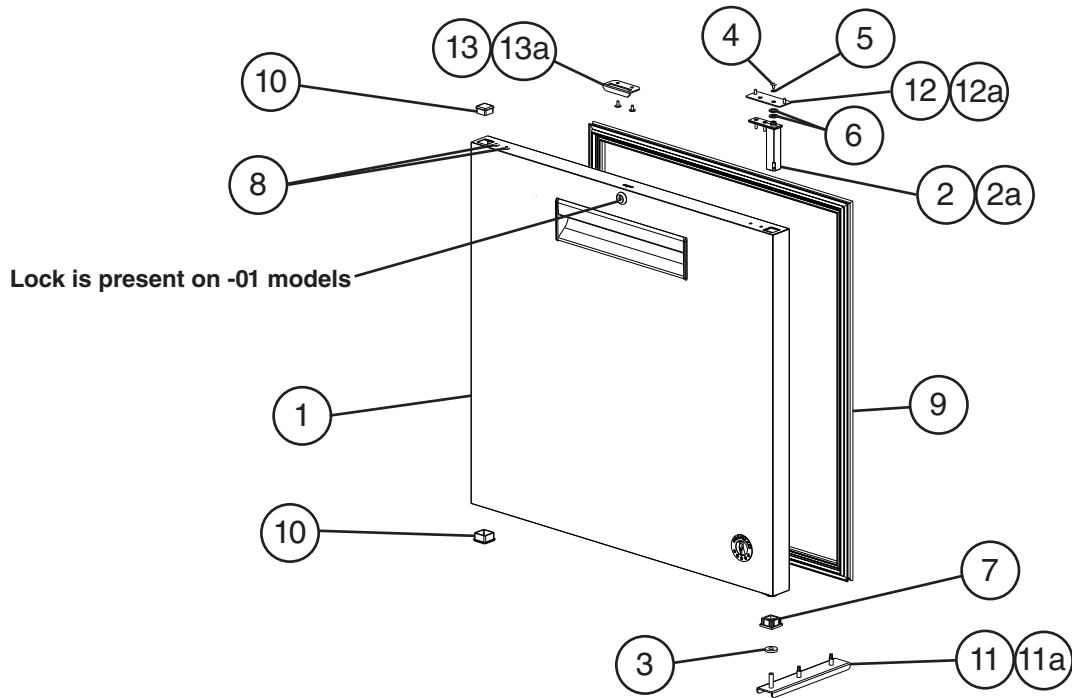
L-5, M-5



For compressor or condenser replacement, order item 1.

Title: B. Refrigeration Circuit Models: UR72B, WR72B, and SR72B Undercounter, Worktop, and Prep Table												
Index No.	Description	Material or Model Number	Part Number	Required Number								
				L-5	M-5							
1	Condensing Unit (includes compressor, condenser, and items 2 through 6; compressor and condenser are not sold individually)	UC/WT	3B0453-01	1								
		Prep Table	3B0964-01	1								
2	External Protector	UC/WT	3A9475-01	1								
		Prep Table	3B0897-01	1								
3	PTC Start Relay		3A9476-01	1								
4	Run Capacitor	UC/WT 12MFD, 250VAC	3A9477-01	1								
		Prep Table 20MFD, 250VAC	3B0898-01	1								
5	Condenser Fan Motor		3A6798-01	1								
6	Condenser Fan Blade		3A6799-01	1								
7	Evaporator		2A9386-01	1								
8	Evaporator Fan Motor		4A6192-01	3								
9	Heat Exchanger (includes capillary tube)	UC/WT	3B0790G01	1								
		Prep Table	3B0805G01	1								
10	Drier		4A5576-01	1								
11	Cabinet Thermistor		4A6878-02	1								
12	Defrost Thermistor		4A6878-01	1								
13	Defrost Heater	Prep Table	3B0457-01	1								
14	Defrost Safety Thermostat	Prep Table	4A6194-01	1								
15	Drain Hose		3B0477-01	1								

C. Door-Right Hinged Solid Undercounter, Worktop, Prep Table K-5 to M-5

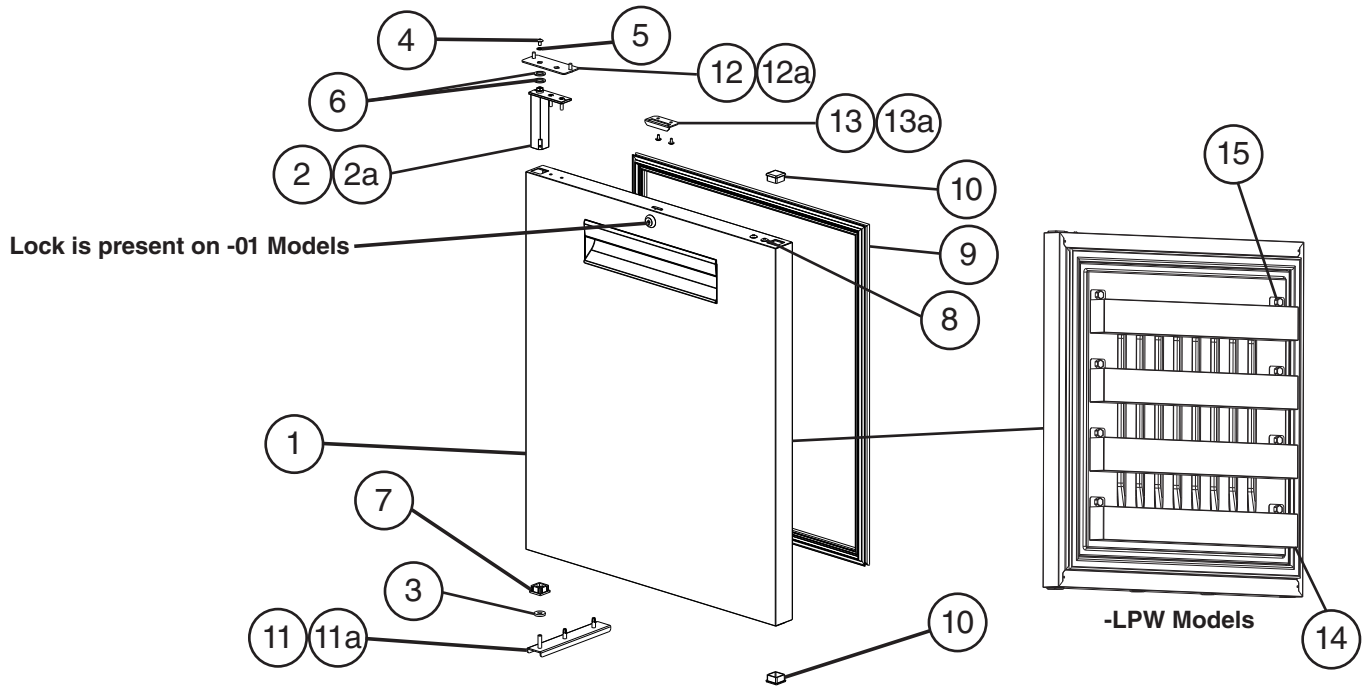


Title: C. Door-Right Hinged Solid Models: Undercounter, Worktop, Prep Table											
Index No.	Description	Material or Model Number	Part Number	Required Number Per Section							
				K-5 to M-5							
1	Door Assembly without Locks (includes items 2 through 10)	<u>R27B(-8, -12M) and _F27B UC/WT/Prep Table</u>	2A9409G01	1							
		<u>36B(-10, -15M) UC/WT/Prep Table</u>	2A9409G04	1							
		<u>R48B(-8, -12), -1xM, and _F48B UC/WT/Prep Table</u>	2A9409G06	1							
		<u>R60B(-8, -12, -16, -1xM, -24M and _F60B UC/WT/Prep Table</u>	2A9409G04	1							
		<u>R72B(-12, -16, -18), -1xM, -24M, -30M</u>	2A9409G06	1							
	Door Assembly with Locks (includes items 2 through 10)	<u>R27B-01 and _F27B-01 UC/WT</u>	2A9409G02	1							
		<u>UR36B-01 UC/WT</u>	2A9409G05	1							
		<u>R48B-01 and _F48B-01 UC/WT</u>	2A9409G07	1							
		<u>R60B-01 and _F60B-01 UC/WT</u>	2A9409G05	1							
		<u>R72B-01 UC/WT</u>	2A9409G07	1							

Title: C. Door-Right Hinged Solid Models: Undercounter, Worktop, Prep Table												
Index No.	Description	Material or Model Number	Part Number	K-5 to M-5	Required Number Per Section							
2	Hinge Spring Cartridge (includes items 2a through 7)		3A9206-01	1								
2a	Countersunk Screw	5x20, SS	7C42-0520	2								
3	Thrust Washer		4A5234-01	1								
4	Screw		4A5230-01	1								
5	Lockwasher		4A5231-01	1								
6	Thrust Washer		4A5233-01	2								
7	Bearing		4A5232-01	1								
8	Truss Head Screw (filler screws)	5x10, SS	7C32-0510	2								
9	Gasket	All _R27B and _F27B, UC/WT/Prep Table	2A6996-10	1								
		_R36B UC/WT/Prep Table	2A6996-12	1								
		All _R48B and _F48B, UC/WT/Prep Table	2A6996-11	1								
		All _R60B and _F60B, UC/WT/Prep Table	2A6996-12	1								
		All _R72B and UC/WT/Prep Table	2A6996-11	1								
10	End Cap		4A5432-01	2								
11	Lower Hinge Bracket		3A6681G01	1								
11a	Hex Head Tapping Bolt	1/4-20x3/4	4A5213-01	2								
12	Upper Hinge Bracket		3A6810-01	1								
12a	Truss Head Screw	5x12, SS	7C32-0512	2								
13	Strike Plate	-01 UC/WT	4A5493-01	1								
13a	T2 Screw	-01 UC/WT 4x8, SS	7P32-0408	2								

D. Door-Left Hinged Solid Undercounter, Worktop, Prep Table

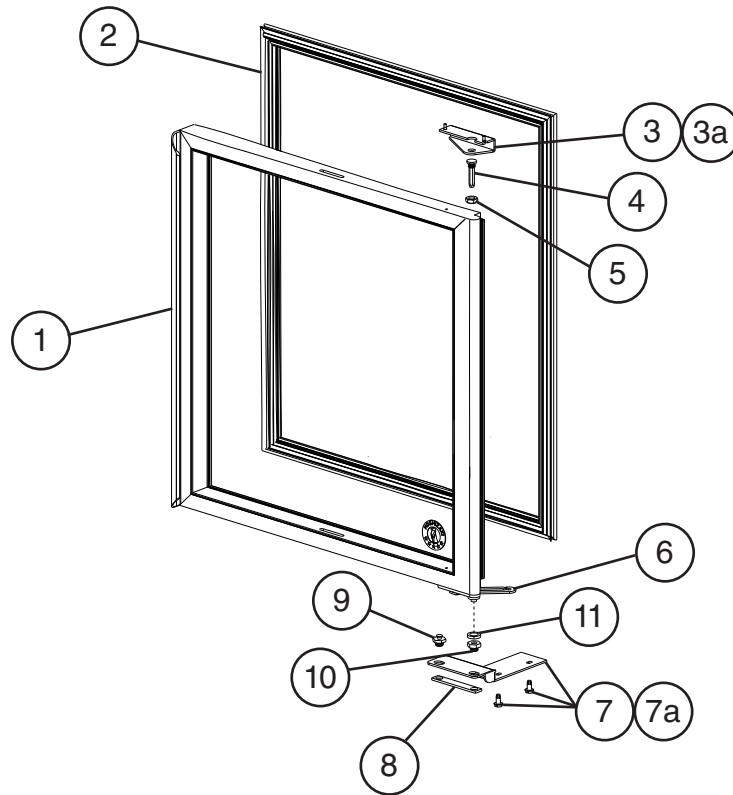
K-5 to M-5



Title: D. Door-Left Hinged Solid Models: Undercounter, Worktop, Prep Table															
Index No.	Description	Material or Model Number	Part Number	Required Number Per Section											
				K-5 to M-5											
1	Door Assembly without Locks (includes items 2 through 10)	UR27B-LPW	2B0054G01	1											
		_R27B(-8, -12M) and _F27B UC/WT/Prep Table	2A9411G05	1											
		_36B(-10, -15M) UC/WT/Prep Table	2A9411G03	1											
		_R48B(-8, -12, -1xM, and _F48B UC/WT/Prep Table	2A9411G01	1											
		_R60B(-8, -12, -16, -1xM, -24M and _F60B UC/WT/Prep Table	2A9411G03	1											
		_R72B(-12, -16, -18), -1xM, -24M, 30M	2A9411G01	1											
	Door Assembly with Locks (includes items 2 through 10)	_R36B-01 UC/WT	2A9411G04	1											
		_R48B-01 and _F48B-01 UC/WT	2A9411G02	1											
		_R60B-01 and _F60B-01 UC/WT	2A9411G04	1											
		_R72B-01 UC/WT	2A9411G02	1											

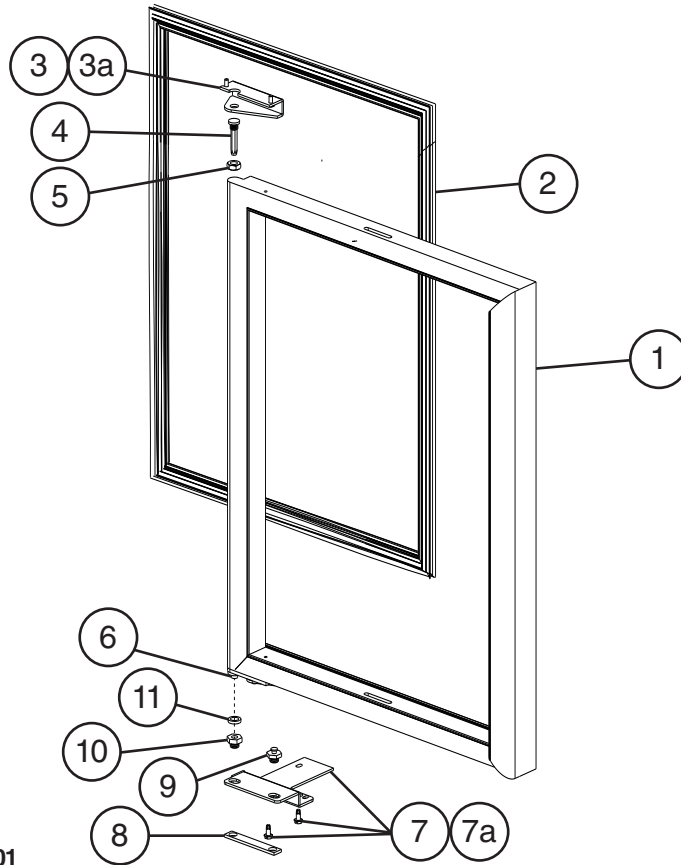
Title: D. Door-Left Hinged Solid Models: Undercounter, Worktop, Prep Table												
Index No.	Description	Material or Model Number	Part Number	Required Number Per Section								
				K-5 to M-5								
2	Hinge Spring Cartridge (includes items 2a through 7)		3A9206-01	1								
2a	Countersunk Screw	5x20, SS	7C42-0520	2								
3	Thrust Washer		4A5234-01	1								
4	Screw		4A5230-01	1								
5	Lockwasher		4A5231-01	1								
6	Thrust Washer		4A5233-01	2								
7	Bearing		4A5232-01	1								
8	Truss Head Screw (filler screws)	5x10, SS	7C32-0510	2								
9	Gasket	_R27B and _F27B UC/WT/Prep Table	2A6996-10	1								
		_R36B UC/WT/Prep Table	2A6996-12	1								
		_R48B and _F48B UC/WT/Prep Table	2A6996-11	1								
		All _R60B and _F60B, UC/WT/Prep Table	2A6996-12	1								
		All _R72B and UC/WT/Prep Table	2A6996-11	1								
10	End Cap		4A5432-01	2								
11	Lower Hinge Bracket		3A6681G01	1								
11a	Hex Head Tapping Bolt	1/4-20x3/4	4A5213-01	2								
12	Upper Hinge Bracket		3A6810-01	1								
12a	Truss Head Screw	5x12, SS	7C32-0512	2								
13	Strike Plate	-01 UC/WT	4A5493-01	1								
13a	T2 Screw	-01 UC/WT 4x8, SS	7P32-0408	2								
14	Holder	UR27B-LPW	3A9571-01	4								
15	Thumbscrew		415949G10	8								

E. Door-Right Hinged Glass
Undercounter, Worktop, Prep Table
 K-5 to M-5



Title: E. Door-Right Hinged Glass Models: Undercounter, Worktop, Prep Table										
Index No.	Description	Material or Model Number	Part Number	Required Number Per Section						
				K-5 to M-5						
1	Door (includes items 2 and 6)	UR27B-GLP01	2A8853-03	1						
		UF27B-GLP01	2A8853-04	1						
		UR48B-GLP01	2A8852-03	1						
2	Gasket	U_27B-GLP01	4A6448-01	1						
		UR48B-GLP01	4A6449-01	1						
3	Upper Hinge		3A9346-02	1						
3a	Truss Head Screw	5x12, SS	7C32-0512	2						
4	Hinge Pin		3A7946-04	1						
5	Hinge Pin Locknut		3A7946-05	1						
6	Hinge Arm		3A7946-01	1						
7	Lower Hinge		3A9342-01	1						
7a	Hex Head Tapping Bolt	1/4-20x3/4	4A5213-01	2						
8	Backer Plate		3A7946-08	1						
9	Slide Pin		3A7946-11	1						
10	Hinge Bushing		3A7946-09	1						
11	Nylon Washer		3A7946-10	1						

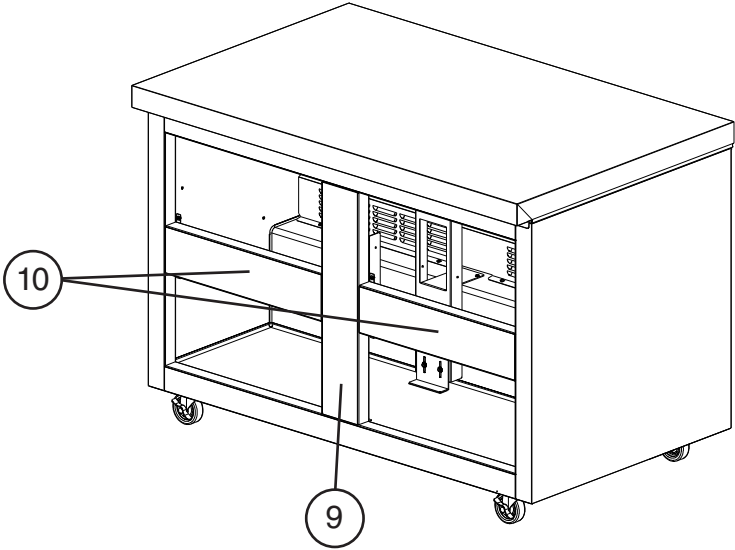
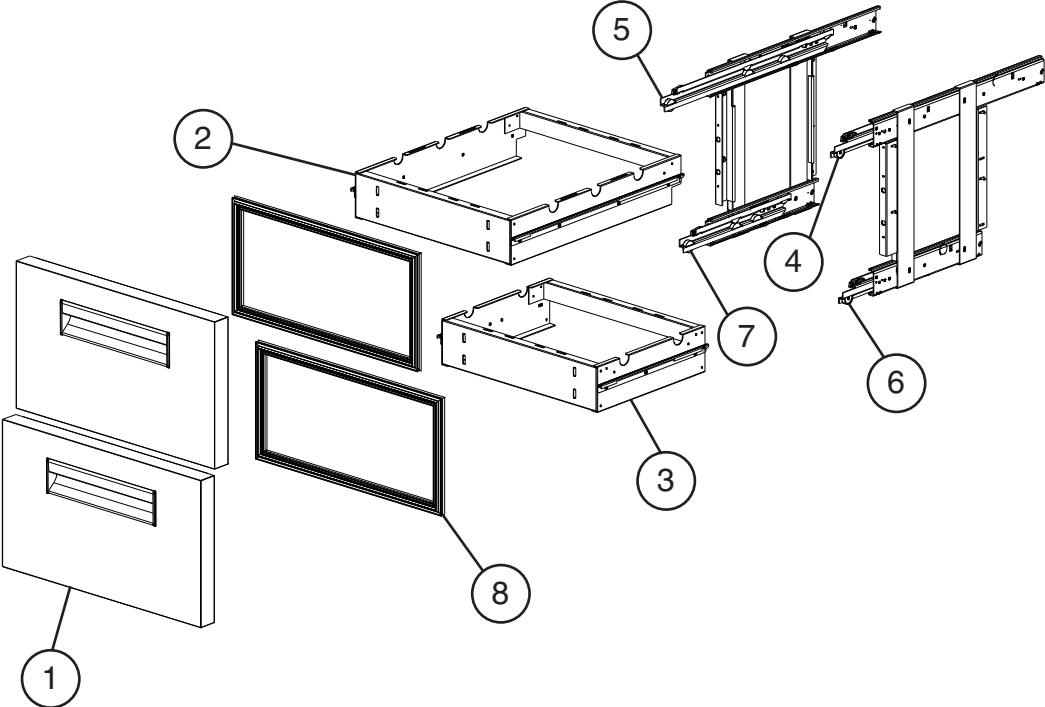
F. Door-Left Hinged Glass Undercounter, Worktop, Prep Table K-5 to M-5



Model Shown: UR48A-GLP01

Title: F. Door-Left Hinged Glass Models: Undercounter, Worktop, Prep Table					Required Number Per Section								
Index No.	Description	Material or Model Number	Part Number	K-5 to M-5									
1	Door (includes items 2 and 6)	UR48B-GLP01	2A8852-01	1									
2	Gasket	UR48B-GLP01	4A6449-01	1									
3	Upper Hinge		3A9346-01	1									
3a	Truss Head Screw	5x12, SS	7C32-0512	2									
4	Hinge Pin		3A7946-04	1									
5	Hinge Pin Locknut		3A7946-05	1									
6	Hinge Arm		3A7946-01	1									
7	Lower Hinge		3A9342-02	1									
7a	Hex Head Tapping Bolt	1/4-20x3/4	4A5213-01	2									
8	Backer Plate		3A7946-08	1									
9	Slide Pin		3A7946-11	1									
10	Hinge Bushing		3A7946-09	1									
11	Nylon Washer		3A7946-10	1									

G. Drawer
Undercounter, Worktop, Prep Table (-D2)(-D4)(-D6)
K-5 to M-5



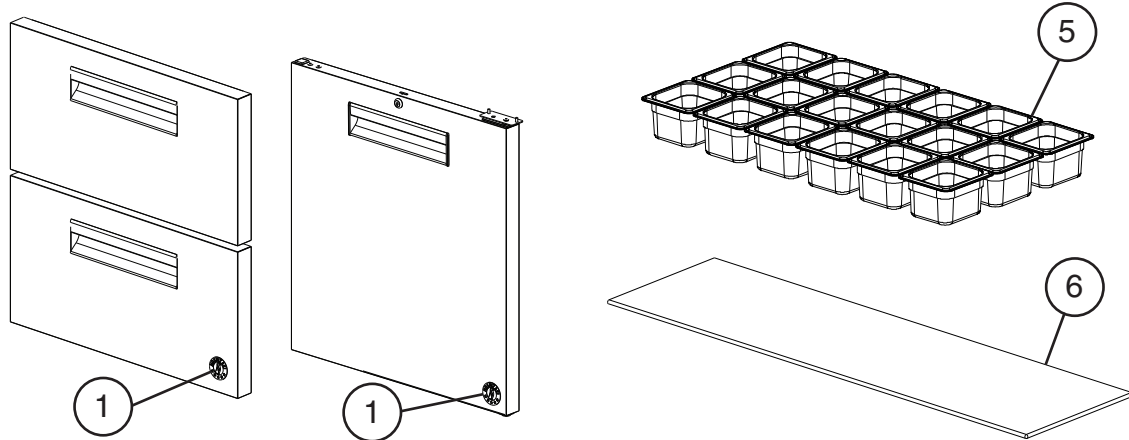
Title: G. Drawer Models: Undercounter, Worktop, Prep Table (-D2)(-D4)(-D6)

Index No.	Description	Material or Model Number	Part Number	K-5 to M-5	Required Number Per Section									
1	Drawer Face	_R27B-D2(-8D2, -12MD2)	2A9736G01	2										
		_R48B-Dx(-12Dx, -18MDx)	2A9759G01	2										
		_R60B-Dx(-24MDx)	2A9760G01	2										
		_R72B-D6(-30MDx)	2A9759G01	2										
2	Upper Drawer Box	_R27B-D2(-8D2, -12MD2)	3B0691G01	1										
		_R48B-Dx(-12Dx, -18MDx)	3B0692G01	1										
		_R60B-Dx(-24MDx)	3B0773G01	1										
		_R72B-D6(-30MDx)	3B0692G01	1										
3	Lower Drawer Box	_R27B-D2(-8D2, -12MD2)	3B0694G01	1										
		_R48B-Dx(-12Dx, -18MDx)	3B0735G01	1										
		_R60B-Dx(-24MDx)	3B0774G01	1										
		_R72B-D6(-30MDx)	3B0735G01	1										
4	Upper Right Slide Roller		4A6146-02	1										
5	Upper Left Slide Roller		4A6147-02	1										
6	Lower Right Slide Roller		4A5663-02	1										
7	Lower Left Slide Roller		4A5664-02	1										
8	Gasket	_R27B-D2(-8D2, -12MD2)	2A5192-15	2										
		_R48B-Dx(-12Dx, -18MDx)	2A5192-17	2										
		_R60B-Dx(-24MDx)	2A5192-16	2										
		_R72B-D6(-30MDx)	2A5192-17	2										
9	Vertical Mullion	_R48B-Dx(-12Dx, -18MDx)	2A6824G01	1										
		_R60B-Dx(-24MDx)		1										
		_R72B-D6(-30MDx)		2										
10	Horizontal Mullion	_R27B-D2(-8D2, -12MD2)	2A7484G01	1										
		_R48B-Dx(-12Dx, -18MDx)	2A7467G01	2										
		_R60B-Dx(-24MDx)	2A7497G01	2										
		_R72B-D6(-30MDx)	2A7467G01	3										

H. Accessories & Labels

Undercounter, Worktop, Prep Table

K-5 to M-5



Title: H. Accessories & Labels Models: Undercounter, Worktop, Prep Table										
Index No.	Description	Material or Model Number	Part Number	Required Number						
				K-5 to M-5						
Common Parts										
1	Penguin Label		475552L01	1						
2	4" Caster Kit (includes 2 of items 3 and 4 and 1 of 4a)	HS-5035 UC	4A5434A01	1						
	2" Caster Kit (includes 2 of items 3 and 4 and 1 of 4a)	HS-5037 UC Low Profile	4A5436A01	1						
	6" Caster Kit (includes 2 of items 3 and 4)	HS-5036 WT/Prep Table	4A5435A01	1						
3	4" Non-Locking Caster	UC	4A5427-01	2						
	2" Non-Locking Caster	UC Low Profile	4A5429-01	2						
	6" Non-Locking Caster	WT/Prep Table	4A5428-01	2						
4	4" Locking Caster	UC	4A5427-02	2						
	2" Locking Caster	UC Low Profile	4A5429-02	2						
	6" Locking Caster	WT/Prep Table	4A5428-02	2						
4a	Wrench	UC Low Profile	4A5492-01	1						
Prep Table Specific Parts										
5	1/6 Size Pan, 4" Depth	-8	1000000344	8						
		-10		10						
		-16		16						
		-15M		15						
		-12, -12M, -12MD(x)		12						
		-18, -18M, -18MD(x)		18						
		-24M, -24MD(x)		24						
-30M, -30MD(x)	30									
6	Cutting Board	SR27B-8(Dx) and SR27B-12(M(Dx))	3A4894-09	1						
		SR36B-10(-15M)	3A4894-15	1						
		SR48B-xx(M(Dx))	3A4894-10	1						
		SR60B-xx(M(Dx))	3A4894-13	1						
		SR72B-xx(M(Dx))	3A4894-14	1						