

MOTAK

Heated Proofing Cabinets

Model #: MHP-H-N-C, MHP-H-I-S
MHP-H-I-C

Product Details

- Constructed of anodized 6063 aluminum extrusion
- .08" thick aluminum base with formed channels
- Field reversible doors (requires left hand hinge set):
 - MHP-H-N-C: .08" thick clear lexan
 - MHP-H-I-C: .08" thick clear lexan
 - MHP-H-I-S: Double-layer aluminum
- Air baffle design and forced air circulation
- Easy to read LED thermometer
- Insulated door and cabinet with as low as 0.04W m2.K with thickness of 1.2 inch
- Corner bumpers prevent unit from impact
- Removable control drawer for easy cleaning and maintenance
- Four (4) 3" casters, two (2) with brakes, for mobility
- Holds up to 14 full size sheet pans; 1 1/2" of clearance between slides
- Insulated models offer energy savings
- Supplied with 6.3' NEMA 5-15P cord with cable cover to provide additional electrical protection and safety
- Heating mode: with adjustable settings keeps cabinet temperatures up to 180°F (80°C)
- Proof mode: adjusts humidity between 30% and 95% and temperature up to 115°F (46°C)
- Electric:
 - 120V / 60Hz / 1Ph
 - (208-230V / 50-60Hz / 1Ph is available as an option)
 - 6.3' NEMA 5-15P cord set included



MHP-H-N-C



MHP-H-I-C



MHP-H-I-S

Not suitable for installation in non-commercial or residential applications.

Warranty

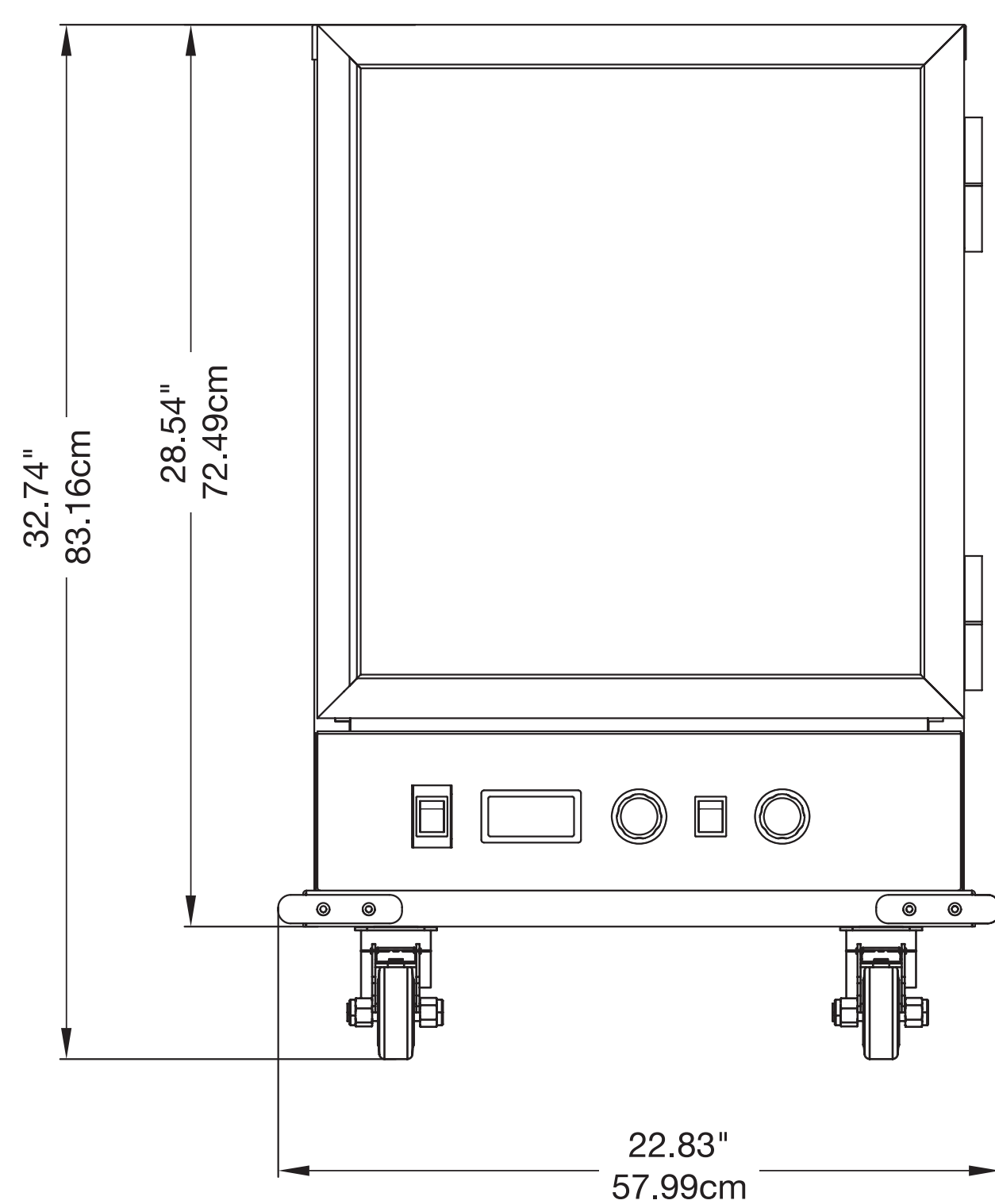
WARRANTY: 1 year parts and labor

MOTAK

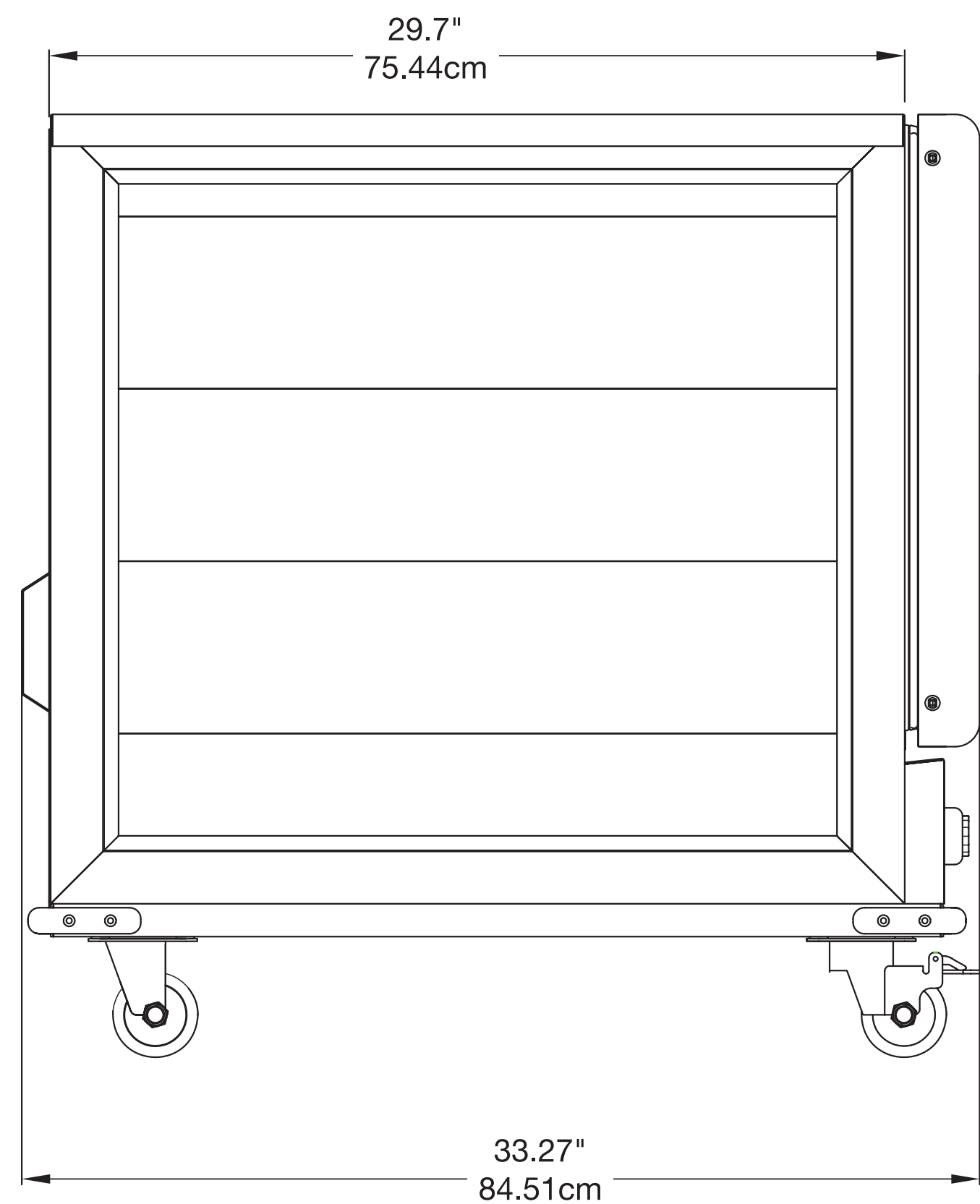
Heated Proofing Cabinets

Model #: MHP-H-N-C, MHP-H-I-S
MHP-H-I-C

Front View



Side View



Specifications

Model	Capacity (full size sheet pans)	Cabinet Dims (in)			Voltage	Watts	Amps	Plug	Shipping Weight	Insulation
		W	D	H						
MHP-H-N-C	14	22.83" 579.9 mm	33.27" 845.1 mm	32.74" 831.6 mm	120V / 60Hz / 1 Ph	1500	12.5	NEMA 5-15P	180 lbs / 82 kg	No
MHP-F-I-C	14	22.83" 579.9 mm	33.27" 845.1 mm	32.74" 831.6 mm	120V / 60Hz / 1 Ph	1500	12.5	NEMA 5-15P	120 lbs / 54.4 kg	Yes
MHP-F-I-S	14	22.83" 579.9 mm	33.27" 845.1 mm	32.74" 831.6 mm	120V / 60Hz / 1 Ph	1500	12.5	NEMA 5-15P	118 lbs / 53.5 kg	Yes