



Electric Countertop Tilting Kettles, K6ETT, K12ETT, K20ETT

K6ETT
K12ETT
K20ETT

ML-136067
ML-136068
ML-136069

- NOTICE -

This Manual is prepared for the use of trained Hobart Service Technicians and should not be used by those not properly qualified.

This manual is not intended to be all encompassing. If you have not attended a Hobart Service School for this product, you should read, in its entirety, the repair procedure you wish to perform to determine if you have the necessary tools, instruments and skills required to perform the procedure. Procedures for which you do not have the necessary tools, instruments and skills should be performed by a trained Hobart Service Technician.

The reproduction, transfer, sale or other use of this manual, without the express written consent of Hobart, is prohibited.

This manual has been provided to you by ITW Food Equipment Group LLC ("ITW FEG") without charge and remains the property of ITW FEG, and by accepting this manual you agree that you will return it to ITW FEG promptly upon its request for such return at any time in the future.

TABLE OF CONTENTS

SERIVE UPDATE	3
SERVICE UPDATE	3
GENERAL	4
INTRODUCTION	4
MODELS COVERED	4
CONTROL PANEL	4
TOOLS	4
SPECIFICATIONS	5
REMOVAL AND REPLACEMENT OF PARTS	6
COVERS AND PANELS	6
ELECTRICAL PANEL COMPONENTS-WATER LEVEL CONTROL, TRANSFORMER, CONTACTORS AND TEMPERATURE CONTROL	6
BOTTOM COMPONENTS - WATER LEVEL PROBE (LLCO), TEMP SENSOR & PRESSURE SWITCH	7
POTENTIOMETER	7
HEATING ELEMENT	8
KETTLE ASSEMBLY	9
BEARINGS	13
SHAFT SEAL	13
PIVOT STOP PIN	14
SERVICE PROCEDURES AND ADJUSTMENTS	16
TEMPERATURE CONTROLLER TEST	16
POTENTIOMETER TEST	17
THERMOCOUPLE TEST	17
HEATING ELEMENTS	18
VENTING	19
FILLING THE RESERVOIR JACKET	20
ELECTRICAL OPERATION	24
COMPONENT FUNCTION	24
COMPONENT LOCATION	25
WATER LEVEL CONTROL (WLC LLCO)	27
SEQUENCE OF OPERATION	27
SCHEMATIC DIAGRAM	29
WIRING DIAGRAM	30
TROUBLESHOOTING	32
TROUBLESHOOTING	32

SERVICE UPDATE

SERVICE UPDATE

January 2024

- Updated chart in FILLING THE RESERVOIR JACKET.

December 2023

- Updated FILLING THE RESERVOIR JACKET.
- Updated TOOLS.

December 2020

- Updated HEATING ELEMENT.

November 2017

- Updated Reservoir Jacket Volume chart in FILLING THE RESERVOIR JACKET.

GENERAL

INTRODUCTION

General

The procedures in this manual apply to all models unless otherwise specified. The pictures and illustrations are of a model K6ETT countertop tilting kettle unless otherwise noted. All information and specifications contained in this manual are based on the latest product information available at the time of printing.

Countertop Tilting Kettles

The electric countertop tilting kettles are self contained two thirds jacketed kettles. The lower two thirds of the kettle bowl is a double wall stainless steel construction that provides a reservoir for a solution of heat transfer fluid and distilled water for improved heating of the kettle contents. The kettles are used to prepare a variety of liquid or semi-liquid food products such as soups, stews and sauces.

MODELS COVERED

The 6 and 12 gallon kettles can be mounted to a counter top or optional stand. The 20 gallon kettle is a floor model mounted to its own stand.

Electric Countertop Tilting Kettles
K6ETT - 6 gallon
K12ETT - 12 gallon
K20ETT - 20 gallon

CONTROL PANEL

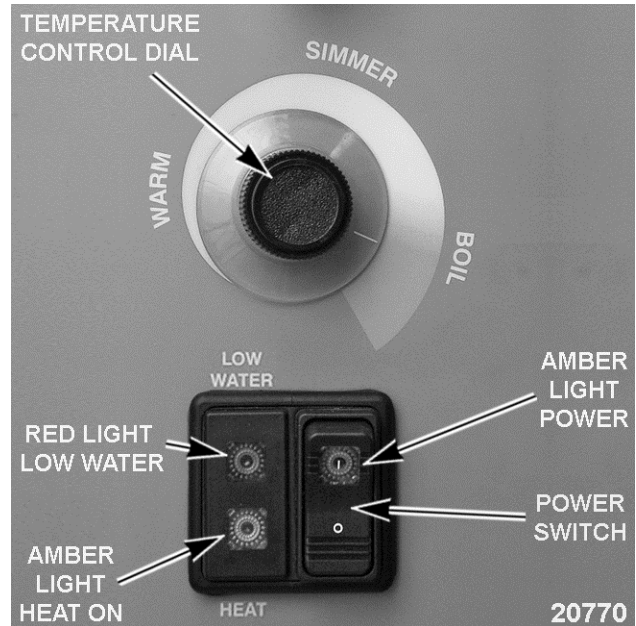


Fig. 1

TOOLS

Standard

- Standard set of hand tools.
- Pipe thread sealant.
- VOM with an AC current tester (meter sensitivity should be at least 20,000 ohms per volt).
- Temperature meter (thermocouple type). Use for checking kettle temperature.
- 2 gallon container to hold drained reservoir jacket fluid.

Special

- Torque wrench (ft-lbs) for tightening heating element mounting bolts.
- Lubriplate 630-AA Part No. 501687 for lubrication of tilt lock pivot stop pin.
- Loctite® ODC-Free Cleaner & Degreaser (McMaster-Carr Part No. 66415A21) or equivalent fast drying, no residue cleaner.
- Loctite® 7471™ Primer N™ Part No. 544434-2.
- Loctite® 242™ Part No. 520228.

- Thermodyne 90395 GLYCOL, HEAT TRANSFER FLUID, 1 GALLON, available at Parts Town or DOWFROST™ Propylene Glycol at ChemWorld. Refer to FILLING THE RESERVOIR JACKET for volumes.
- Distilled water only for re-filling of the jacket (purchase locally). Refer to FILLING THE RESERVOIR JACKET for volumes.

SPECIFICATIONS

Reservoir Jacket Fluid

- Water - Use only distilled water for partial re-filling of the jacket (purchase locally).
- Dowfrost heat transfer fluid Part No. 558038 (5 gallon). Use during a complete re-fill of the jacket with new fluid. Refer to service procedures for volumes.

ELECTRICAL SPECIFICATIONS							
Volts	Phase	K6ETT*		K12ETT		K20ETT	
		Total KW	Amps	Total KW	Amps	Total KW	Amps
208	1	7.50	36	12	58	12	58
240	1	10.0	42	16	67	16	67
208	3	7.50	22	12	33	12	33
240	3	10.0	26	16	39	16	39
480	3	7.50	9	12	14	12	14

*K6ETT only - Heating elements on 208/240VAC three phase machines are not wired as a balanced load.

REMOVAL AND REPLACEMENT OF PARTS

COVERS AND PANELS



⚠ WARNING

Disconnect the electrical power to the machine and follow lockout / tagout procedures.

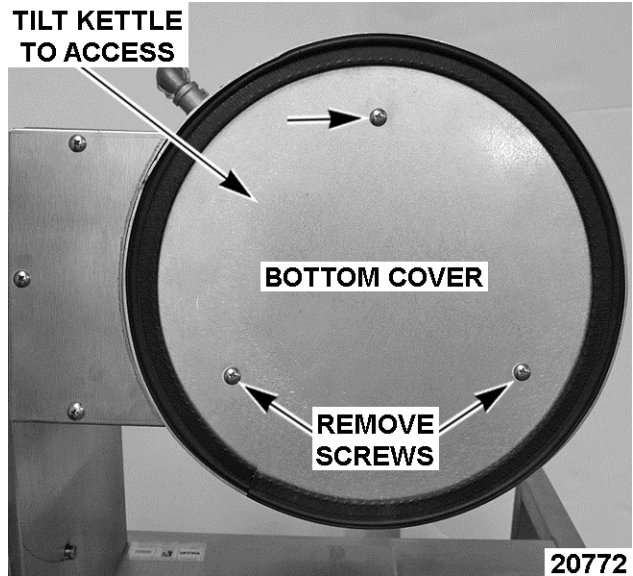
Control Box Cover



Fig. 2

20771

Bottom Cover



20772

Fig. 3

ELECTRICAL PANEL COMPONENTS-WATER LEVEL CONTROL, TRANSFORMER, CONTACTORS AND TEMPERATURE CONTROL



⚠ WARNING

Disconnect the electrical power to the machine and follow lockout / tagout procedures.

1. Remove COVERS AND PANELS.
2. Disconnect lead wires from component being replaced.
3. Remove screws securing the component to panel.
4. Reverse procedure to install and check for proper operation.

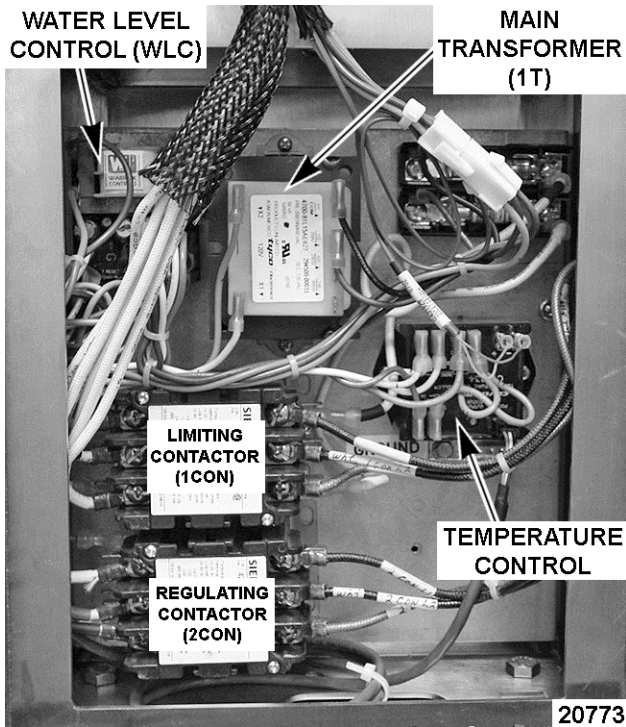


Fig. 4

NOTE: Pressure switch setting is fixed and should not be adjusted. Clean threads and apply pipe thread sealant when replacing pressure switch, water level probe or temperature sensor.

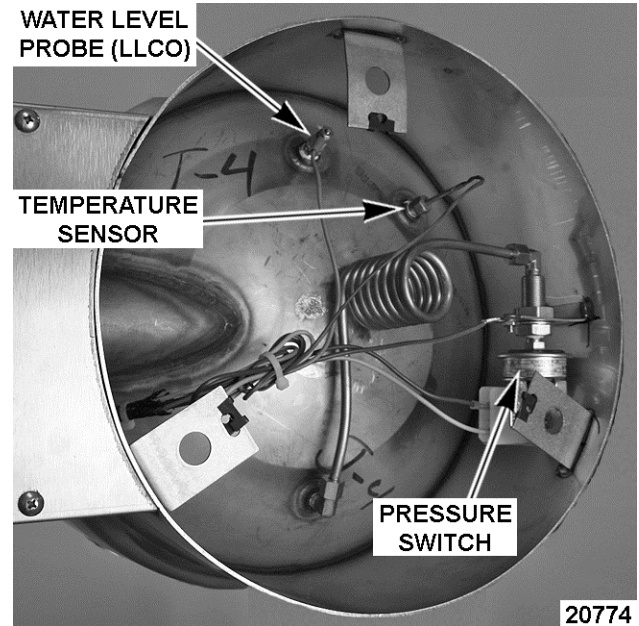


Fig. 5

BOTTOM COMPONENTS - WATER LEVEL PROBE (LLCO), TEMP SENSOR & PRESSURE SWITCH

POTENTIOMETER



⚠ WARNING

Disconnect the electrical power to the machine and follow lockout / tagout procedures.

1. Open pressure relief valve until reservoir jacket is completely vented.
2. Remove Table 4.
3. Disconnect lead wires from component being replaced.
4. If removing pressure switch:
 - A. . Disconnect compression fitting from elbow near the pressure switch.
 - B. Remove top nut on brass fitting to remove pressure switch from mounting bracket.
5. Remove component from bottom of kettle.
6. Reverse procedure to install.
7. Remove air from reservoir jacket as outlined under VENTING procedure.
8. Check for proper operation. **NOTE:**



⚠ WARNING

Disconnect the electrical power to the machine and follow lockout / tagout procedures.

1. Remove CONTROL BOX COVER.
2. Disconnect potentiometer wire from temperature control.
3. Pull temperature dial from potentiometer shaft and remove seal nut.

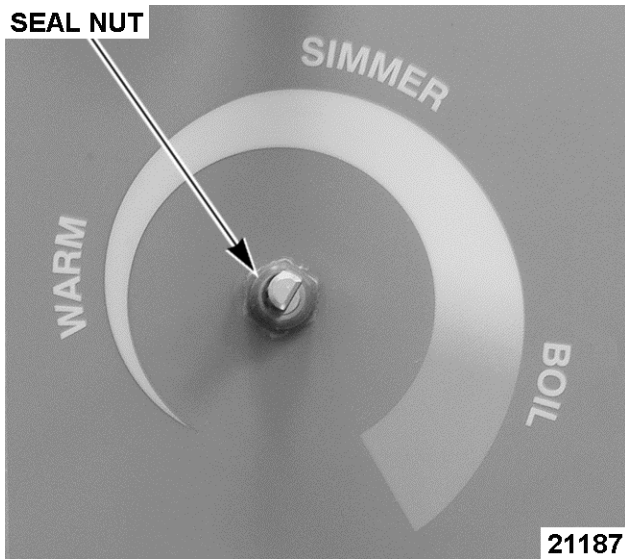


Fig. 6

4. Remove potentiometer from control panel.
5. Reverse procedure to install and check for proper operation.

NOTE: When installing, ensure potentiometer alignment tab is seated in positioning bracket.

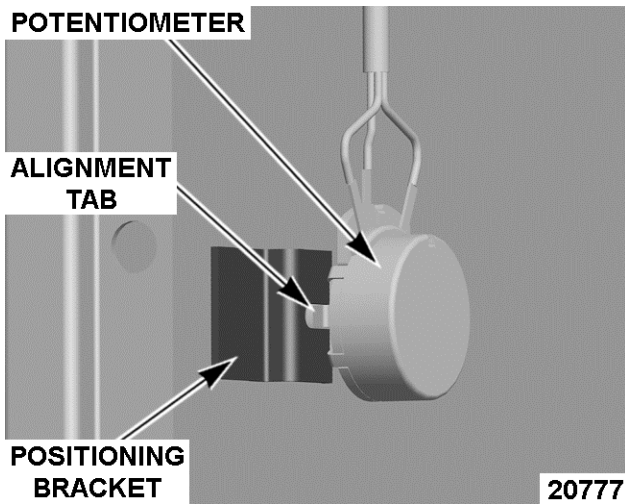


Fig. 7

HEATING ELEMENT



WARNING

Disconnect the electrical power to the machine and follow lockout / tagout procedures.

1. Open pressure relief valve until reservoir jacket is completely vented.
2. Tilt kettle to expose the heater access cover.

3. Remove three screws where indicated. Loosen remaining screw and allow cover to rotate out of way.

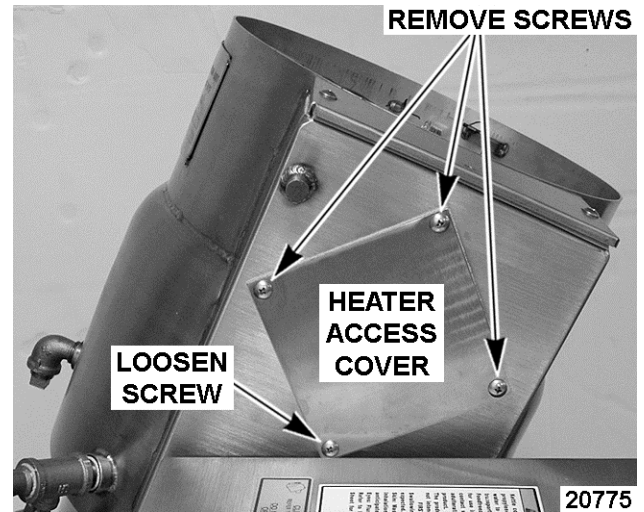


Fig. 8

4. Note lead wire locations and disconnect wires from heating element.
5. Remove mounting bolts securing heating element to kettle.

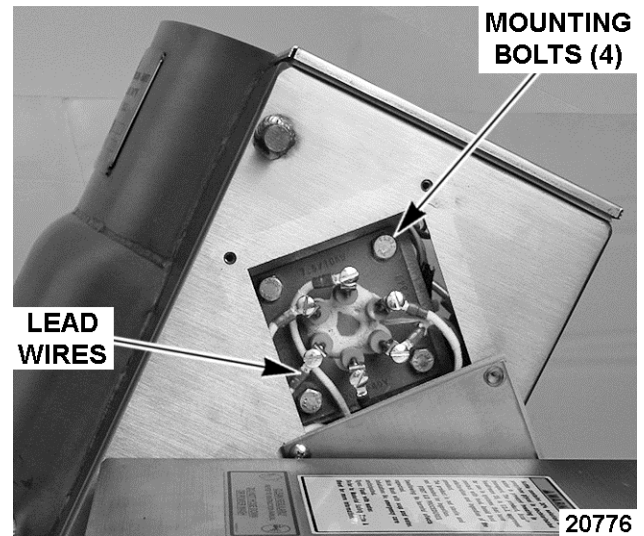


Fig. 9

6. Reverse procedure to install. Use a new heating element seal whenever installing heating element. Torque mounting bolts to 40 ft-lbs and tighten in an alternating pattern.
7. Remove air from reservoir jacket as outlined under VENTING.
8. Check for proper operation and leaks around heating element.

NOTE: On K6ETT only, element lengths are staggered to fit the contour of the kettle bottom. Install with the shortest element toward the bottom of kettle.

**SHORTEST ELEMENT
TOWARD BOTTOM OF
KETTLE**

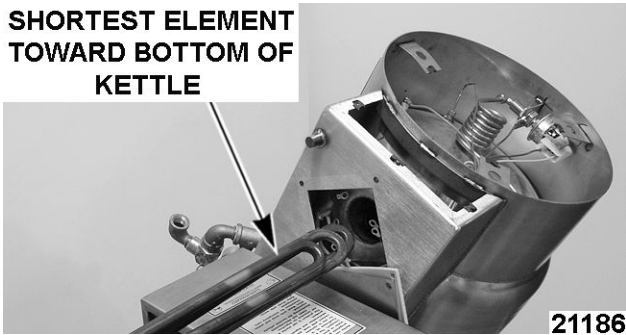


Fig. 10

NOTE: Step 9 is applicable for flange change on production units starting with serial number break 46-3030197.

9. Torque all flange bolts to 38 Ft/Lbs. in 3 passes as shown in Fig. 11.

NOTICE

It is recommended to heat kettle up to boil for one hour. After kettle cools down to -20 to -30 HG and recheck torque to verify 38 Ft/Lbs.

- A. 1st pass 13 ft/lbs.
- B. 2nd pass 26 ft/lbs.
- C. 3rd pass 38 ft/lbs.

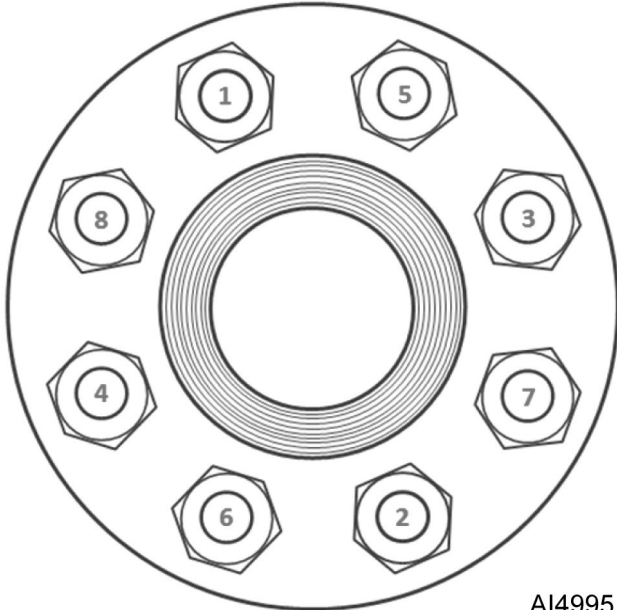


Fig. 11

10. Check for proper operation and leaks around heating element.

KETTLE ASSEMBLY



WARNING

Disconnect the electrical power to the machine and follow lockout / tagout procedures.

Removal

1. Place kettle in full upright position.
2. Support kettle using 2x4 blocks of wood.



Fig. 12

3. Remove Control Box Cover.
4. Disconnect thermocouple lead wires from temperature control and the 4 pin wiring harness connector.
5. Note lead wire locations and disconnect from load side of contactors.
6. Remove wire tie securing lead wire bundle to control box.
7. Remove three set screws on pivot stop collar. Access third screw thru the slot in top of control box.

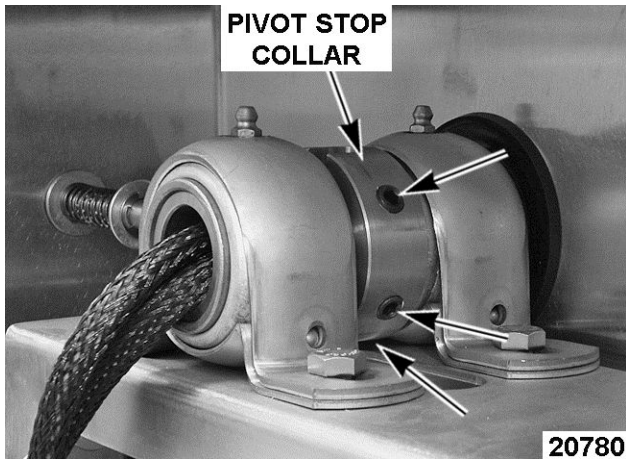


Fig. 13

8. Remove outer bearing from support shaft.

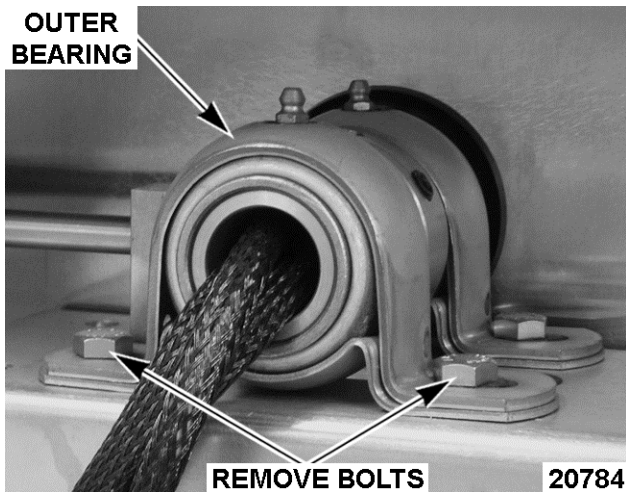


Fig. 14

9. On K20ETT only.

A. Remove two bolts securing kettle tilt stop to base.

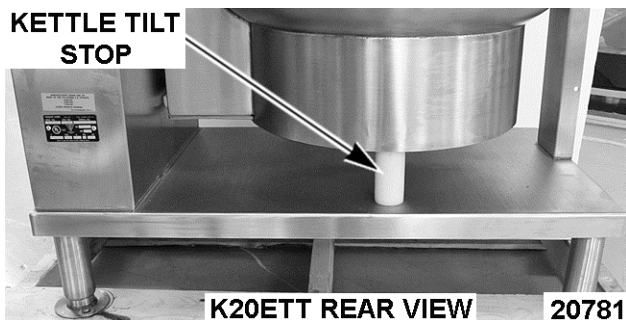


Fig. 15

B. Remove kettle support cover.

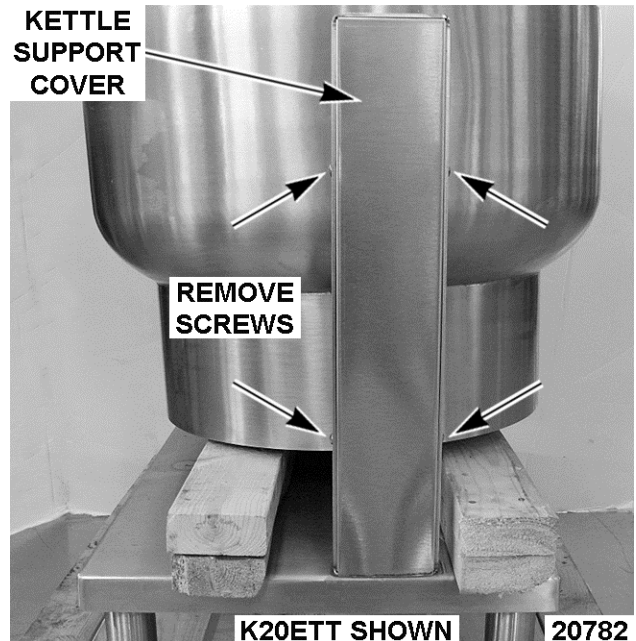


Fig. 16

C. Remove kettle support and bearing housing assembly from support shaft.

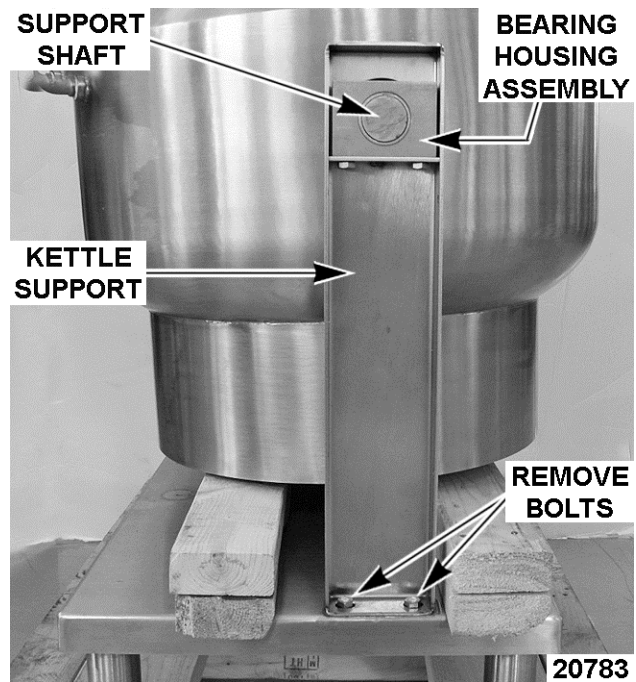


Fig. 17

10. Pull kettle assembly away from control box to disengage support shaft from inner bearing and pivot stop collar. Slide kettle onto the 2x4 blocks.

A. Pull lead wire bundle thru inner bearing and pivot stop collar during removal.

NOTE: If support shaft of kettle assembly does not easily disengage, apply force between control box housing and kettle assembly to release pivot stop

collar. The support shaft should slide out of inner bearing easily.

11. If re-installing kettle assembly, proceed to Installation in this section. If installing a replacement kettle assembly, remove components as outlined below from old kettle assembly for re-use.
 - A. Open pressure relief valve until reservoir jacket is completely vented.
 - B. Place kettle on floor with the pressure relief valve and reservoir jacket fill elbow facing up.
 - C. Remove Table 4.
 - D. Remove Water Level Probe.
 - E. Position kettle assembly to drain fluid into container. Remove 1/2" pipe plug from the reservoir jacket fill elbow to facilitate draining.
 - F. Remove Temperature Sensor & Pressure Switch including condensate coil.
 - G. Remove pressure relief valve assembly plumbing and reservoir jacket fill elbow.
 - H. Remove HEATING ELEMENT.
 - I. Install all removed components onto replacement kettle. Clean threads and apply sealant before re-installing pipe fittings.

Installation

1. Place kettle assembly on 2x4 blocks and align support shaft to shaft seal. Pull lead wire bundle thru shaft seal and inner bearing.

NOTE: Bearings and shaft seal are self aligning for easy installation. Bearings do not require lubrication.

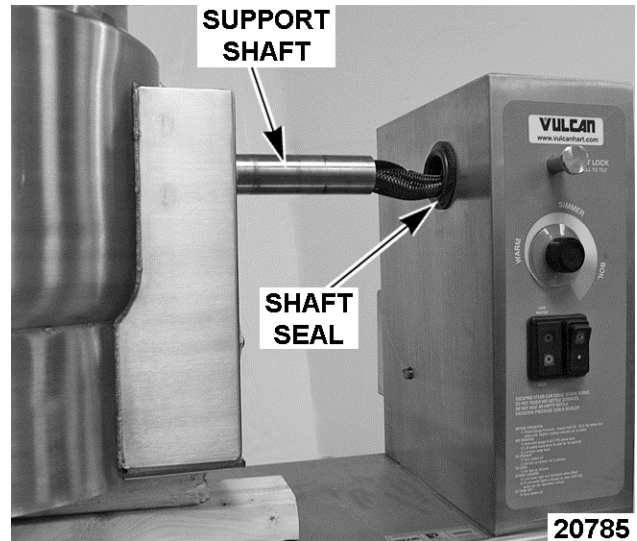


Fig. 18

2. Push kettle assembly support shaft thru shaft seal and inner bearing.
3. Square the kettle assembly to control box housing. Maintain squareness during adjustments.

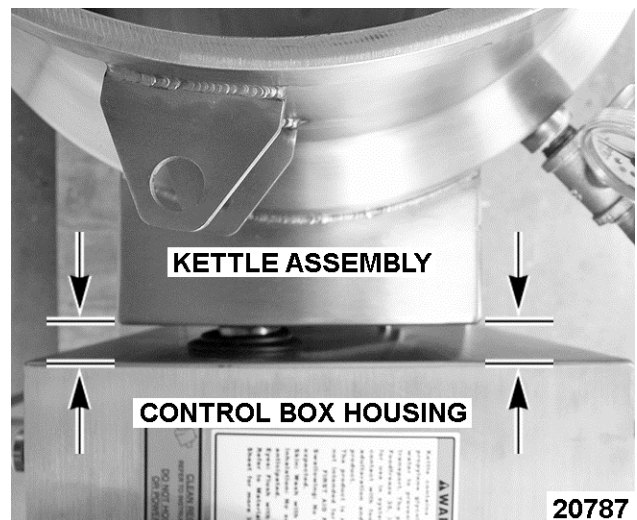


Fig. 19

4. On K6ETT and K12ETT only.
 - A. Ensure the pour stop pin on kettle assembly engages with tilt stop on control box housing. Approximately 3/16" spacing should be maintained between the pour stop pin and control box housing. Adjust kettle assembly position as necessary.

NOTE: The kettle assembly may drop slightly after 2x4 blocks are removed and when fully loaded. The spacing of pour stop pin will prevent it from rubbing the control box during tilt.

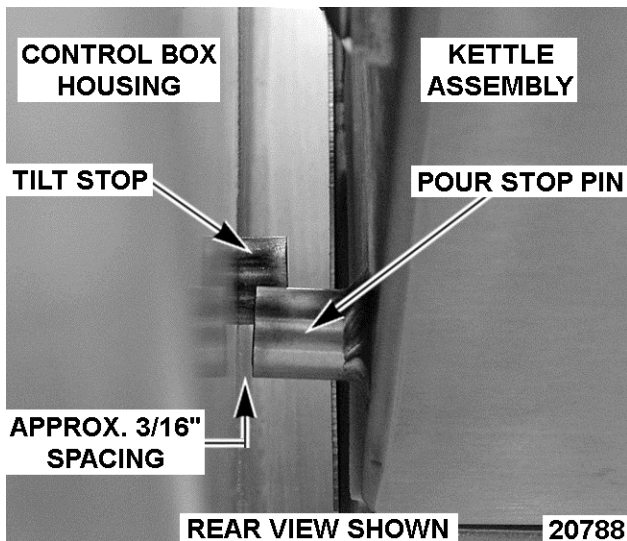


Fig. 20

5. Insert lead wire bundle thru pivot stop collar. Position pivot stop collar as shown in the picture below. Set screws should remain out of collar.
 - A. Slide pivot stop collar onto support shaft. Operate tilt lock then slide collar against inner bearing. Hold the collar in position and release tilt lock. Verify pivot stop pin fully engages with the slot in pivot stop collar for the tilt lock as shown. Adjust kettle assembly position as necessary.

NOTE: The pin location shown will lock the kettle fully upright. When the kettle is tilted, the pin engages with the slot near the top to lock the kettle in position.

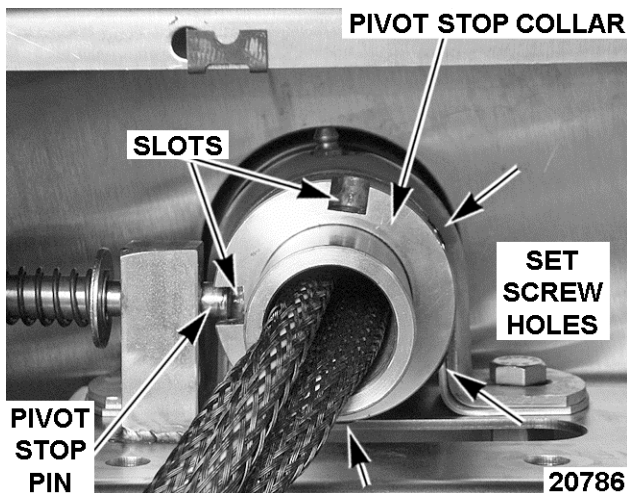


Fig. 21

6. Insert lead wire bundle thru the outer bearing. Slide bearing onto support shaft and position it against pivot stop collar. Install bolts and tighten to secure the bearing.

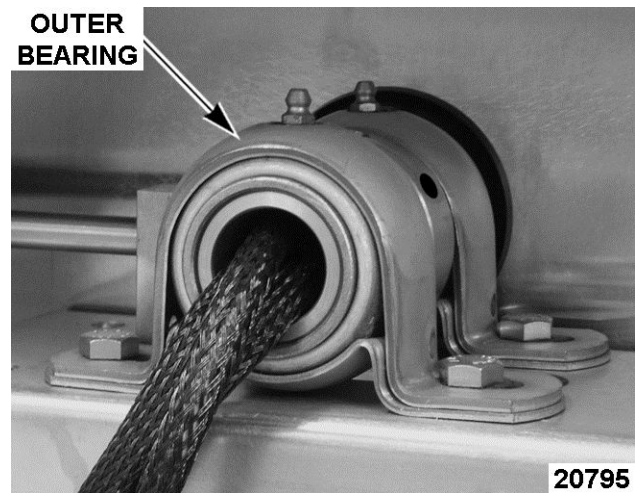


Fig. 22

7. Apply Lubriplate 630-AA to mating surfaces on pivot stop pin. Ensure pivot stop pin fully engages with the slot in pivot stop collar and does not catch or bind when tilt lock is operated.
8. Clean threads (screw & hole) with cleaner & degreaser. Apply Loctite 7471 Primer N and Threadlocker 242 to set screws and threaded holes on pivot stop collar.

NOTE: Allow cleaner to fully evaporate before applying primer. Spray primer on the threads and allow to dry for 60 seconds. Shake Loctite 242 bottle thoroughly to mix then apply several drops of the threadlocker to threads. Do not allow the tip of bottle to touch a primed surface as it will activate the Loctite 242 in the bottle.

9. Install set screws on pivot stop collar. Hold the collar against inner bearing and tighten set screws to secure.
10. On K20ETT only. A. Install kettle support to shaft and base. B. Install kettle support cover and tilt stop to base.
11. Remove 2x4 blocks from underneath kettle assembly.
 - A. With kettle in full vertical position, verify tilt lock operation. The pivot stop pin should engage with the slot in pivot stop collar and not catch or bind when operated.
 - B. Tilt kettle to horizontal position and verify pivot stop pin engages with the next slot in pivot stop collar.
 - C. Return kettle to full vertical position. Verify the kettle pour stop pin engages properly to prevent backwards tilt.
 - D. Tilt kettle and verify pour stop pin does not rub against control box housing.

12. Connect lead wires to contactors and temperature control then connect 4 pin wiring harness.
13. Secure lead wire bundle to control box with wire tie then install cover.
14. If re-installing kettle assembly, verify the reservoir jacket is maintaining a vacuum as outlined under VENTING. If a replacement kettle assembly was installed, fill the reservoir jacket as outlined under FILLING THE RESERVOIR JACKET.
15. Connect power to machine and check for proper operation.

BEARINGS



⚠ WARNING

Disconnect the electrical power to the machine and follow lockout / tagout procedures.

1. Remove KETTLE ASSEMBLY (procedure includes outer bearing removal).
2. Remove inner bearing from control box housing.

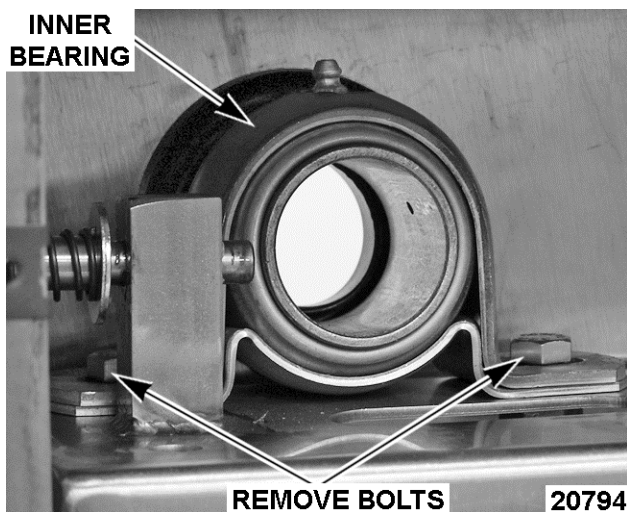


Fig. 23

3. On K20ETT Only.
 - A. Remove bearing housing assembly from kettle support.

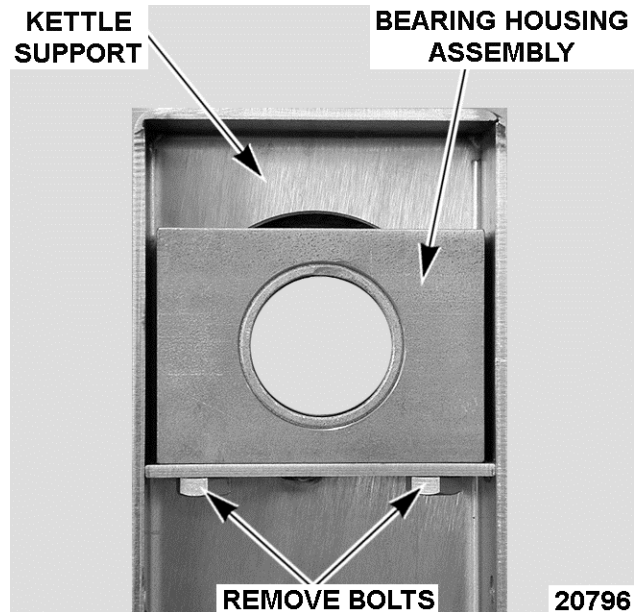


Fig. 24

4. Install replacement bearing.
5. Install KETTLE ASSEMBLY.

SHAFT SEAL



⚠ WARNING

Disconnect the electrical power to the machine and follow lockout / tagout procedures.

All Models

1. To access shaft seal between kettle and control box housing, remove KETTLE ASSEMBLY.
2. Remove shaft seal from control box housing.

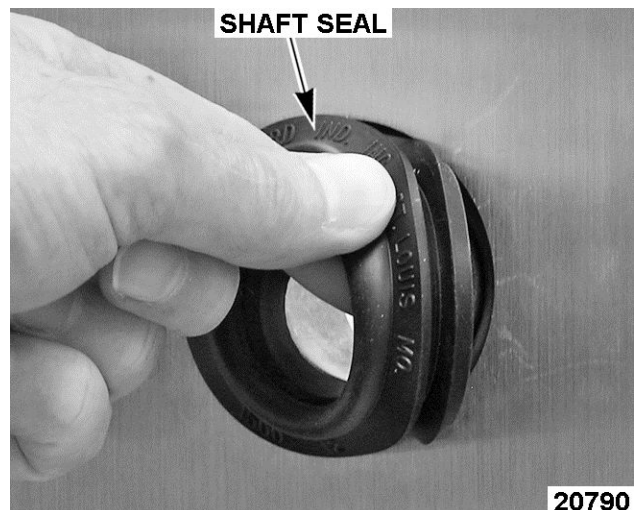


Fig. 25

- Clean mounting surface on control box housing then install replacement shaft seal.
- Install KETTLE ASSEMBLY.

K20ETT Only

- Support kettle using 2x4 blocks of wood.
- Remove kettle support cover.

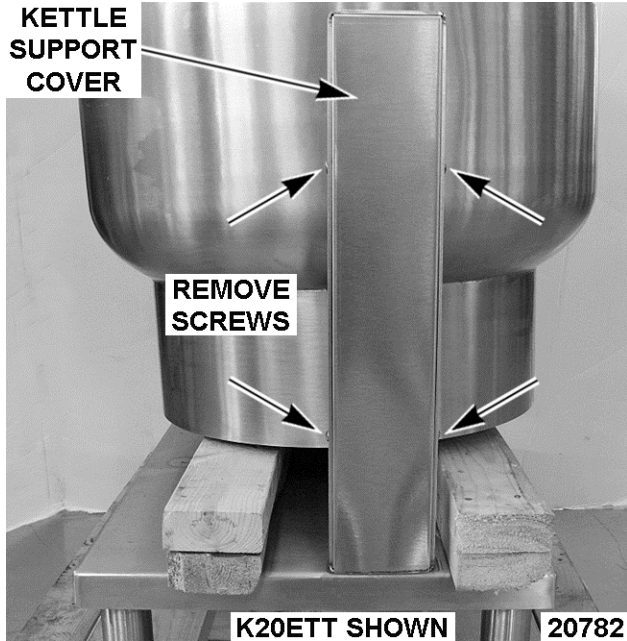


Fig. 26

- Remove kettle support and bearing housing assembly from support shaft.

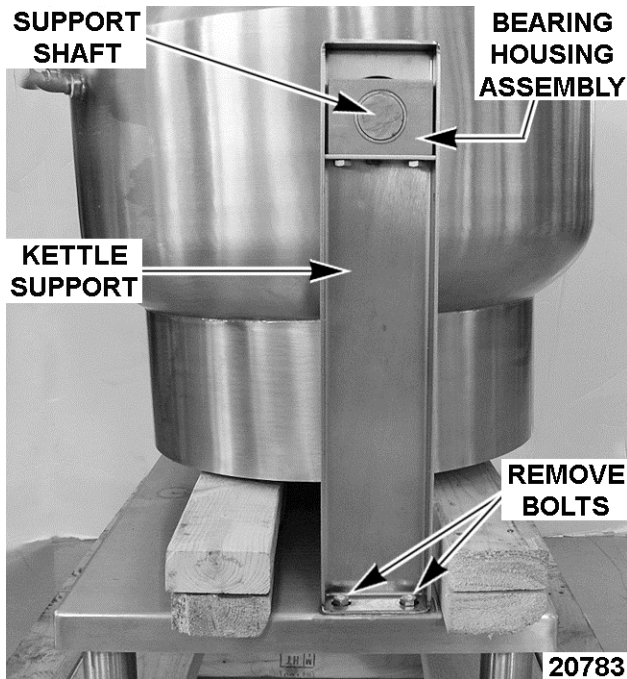


Fig. 27

- Remove shaft seal from kettle support.

- Clean mounting surface on kettle support then install replacement shaft seal.
- Reverse procedure to complete the installation and check for proper operation.

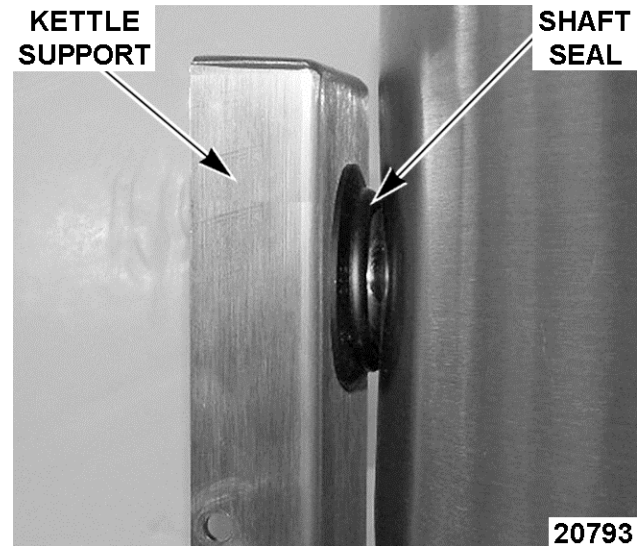


Fig. 28

K20ETT WITH SHAFT SEAL INSTALLED

PIVOT STOP PIN



WARNING

Disconnect the electrical power to the machine and follow lockout / tagout procedures.

- Remove Control Box Cover.
- Remove retaining ring from pivot stop pin.

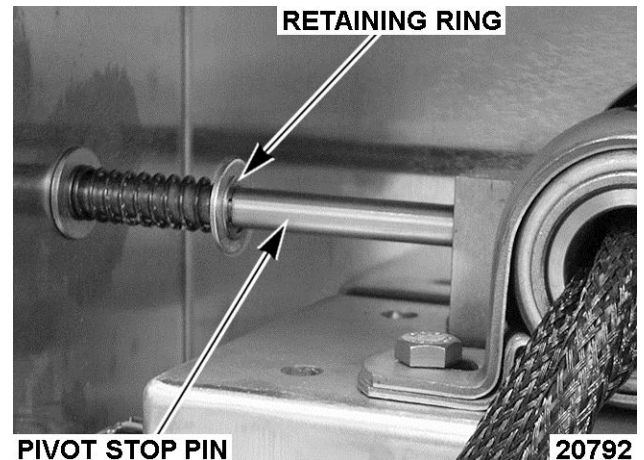


Fig. 29

- Reverse procedure to install.

NOTE: When installing, apply Lubriplate 630-AA to mating surfaces on pivot stop pin. Ensure pivot stop

pin fully engages with the slot in pivot stop collar and does not catch or bind when tilt lock is operated. The picture below is shown with outer bearing removed for clarity.

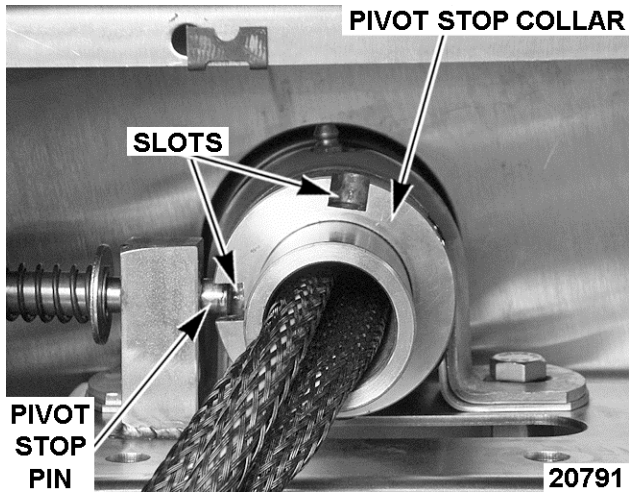


Fig. 30

SERVICE PROCEDURES AND ADJUSTMENTS

TEMPERATURE CONTROLLER TEST



WARNING

Certain procedures in this section require electrical test or measurements while power is applied to the machine. Exercise extreme caution at all times and follow Arc Flash procedures. If test points are not easily accessible, disconnect power and follow Lockout/Tagout procedures, attach test equipment and reapply power to test.

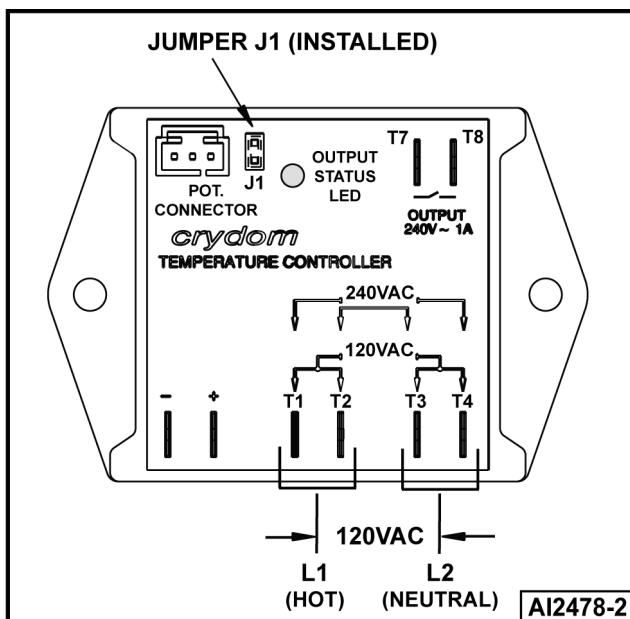


Fig. 31

1. Place kettle in full upright position.
2. Set temperature dial to lowest setting. Kettle must be below 110°F before verifying the potentiometer output to the controller is good over the full range of temperature dial travel.
3. Access the temperature controller as outlined in REMOVAL AND REPLACEMENT OF PARTS.

4. Check all lead wires for secure connections to the controller terminals. Wiring harness lead wires must be connected to T1-T2 and T3-T4 for proper input to controller.
5. Re-connect power to the machine.
6. Turn power switch on.
7. Verify temperature controller is receiving 120VAC at terminals T1-T2 and T3-T4 and machine is properly grounded.
8. Slowly turn temperature dial to the highest setting and monitor heat light over the full range of travel.
 - A. Verify heat light (amber) comes on and heating element is energized.
 - B. If heat light does not remain on or flashes momentarily as temperature setting is slowly increased, verify condition of potentiometer as outlined under POTENTIOMETER TEST.
 - C. If heat light and heating element do not turn on.
 - 1) Verify condition of thermocouple as outlined under THERMOCOUPLE TEST.
 - 2) Verify output from terminal T8 on controller as outlined in the steps below.

NOTE: Temperature controller will de-energize internal relay and turn off the output status LED if the circuitry detects an open thermocouple. LED will begin to flash 3 times, pause, then repeat the flash sequence to indicate the open thermocouple condition.

9. Disconnect lead wire from terminal T7 on the controller.
 - A. Verify 120VAC between lead wire from T7 and X1 on the output of main transformer. If correct, re-connect lead wire to terminal T7 and continue with procedure.
 - B. If incorrect, check pressure switch (1PS) and water level controller (WLC LLCO).
10. Verify 120VAC between T8 and X1 on the output of main transformer. If correct, output from controller is functioning properly.
 - A. If incorrect, install a replacement temperature controller and check for proper operation.

POTENTIOMETER TEST



⚠ WARNING

Certain procedures in this section require electrical test or measurements while power is applied to the machine. Exercise extreme caution at all times and follow Arc Flash procedures. If test points are not easily accessible, disconnect power and follow Lockout/Tagout procedures, attach test equipment and reapply power to test.

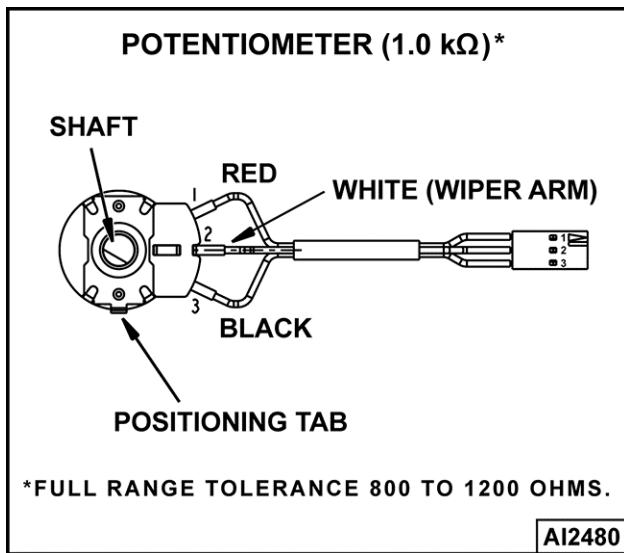


Fig. 32

1. Remove potentiometer from control panel as outlined in REMOVAL AND REPLACEMENT OF PARTS.
2. Turn potentiometer shaft fully counterclockwise to the lowest setting.
3. Set VOM to measure resistance.
4. Connect meter leads to the white and black lead wires on potentiometer terminals.
 - A. Resistance should measure approximately zero ohms.
5. Slowly turn potentiometer shaft clockwise over the full range of travel and monitor resistance change on the meter.
 - A. Resistance should measure 800 to 1200 ohms with shaft turned fully clockwise.

- B. If the resistance value increased smoothly without sudden drops or spikes and the full travel resistance value is within tolerance then potentiometer is functioning properly.
- C. If the resistance value did not increase smoothly but had drops or spikes over the full travel range then potentiometer is not functioning properly. Install a replacement potentiometer and check for proper operation.

THERMOCOUPLE TEST



⚠ WARNING

Certain procedures in this section require electrical test or measurements while power is applied to the machine. Exercise extreme caution at all times and follow Arc Flash procedures. If test points are not easily accessible, disconnect power and follow Lockout/Tagout procedures, attach test equipment and reapply power to test.

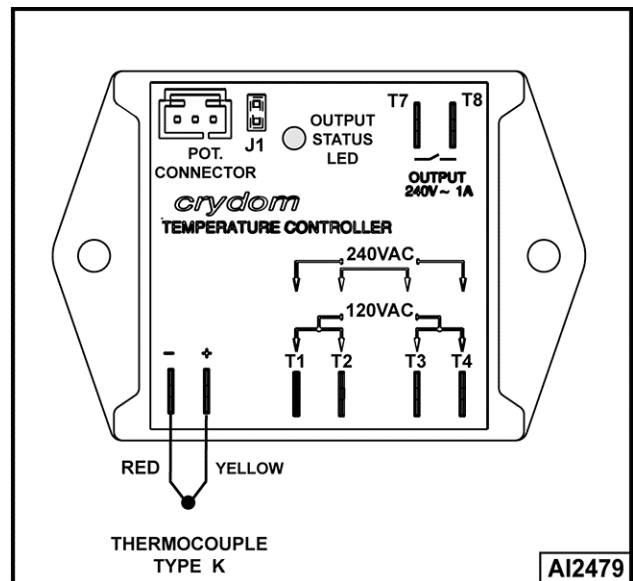


Fig. 33

1. Access the temperature controller as outlined in REMOVAL AND REPLACEMENT OF PARTS.
2. Remove thermocouple lead wires from temperature controller.

3. Check the thermocouple for a measurable resistance (approximately 5 to 10 ohms at room temperature). If meter reads an overload (OL) condition (open), or zero ohms (short) replace the thermocouple and check temperature controller for proper operation.

HEATING ELEMENTS

1. Access HEATING ELEMENT as outlined in REMOVAL AND REPLACEMENT OF PARTS.
2. Measure voltage at heating element terminals and verify it against the data plate voltage.
 - A. If voltage is incorrect, find the source of the problem.
3. If voltage is correct, check current draw (amps) through the heating element lead wires. If current draw is correct then heating element is ok. See table below for proper values.

NOTE: Checking current draw is the preferred method over a resistance check when an amp clamp meter is available.

- A. If current draw is not correct then, replace heating element.
4. Check for proper operation.

MODEL	VOLTAGE	ELEMENT NO.	KW PER ELEMENT	CURRENT PER ELEMENT	RESISTANCE PER ELEMENT (OHMS)
K6ETT	208 (1, 2)	1	2.2	10.5	19.8
		2	2.6	12.3	17.0
		3	2.8	13.3	15.6
	240 (1,2)	1	2.9	12.1	19.8
		2	3.4	14.1	17.0
		3	3.7	15.3	15.6
	408 (3)	-	2.5	9.0	30.7
K12ETT and K20ETT	208 (1)	-	4.0	19.2	10.8
	240 (1)	-	5.3	22.2	10.8
	480 (2)	-	4.0	14.4	19.2

1. Dual voltage elements.
2. Element lengths are staggered to fit the contour of the kettle bottom. Element number 1 is the shortest.
3. 480V elements are connected in Wye configuration for 277V across each element.

NOTE: Values in table are nominal. Tolerance is $\pm 10\%$.

VENTING



WARNING

Certain procedures in this section require electrical test or measurements while power is applied to the machine. Exercise extreme caution at all times and follow Arc Flash procedures. If test points are not easily accessible, disconnect power and follow Lockout/Tagout procedures, attach test equipment and reapply power to test.

NOTE: This procedure outlines venting the reservoir jacket to remove air for proper heat transfer to the kettle contents.

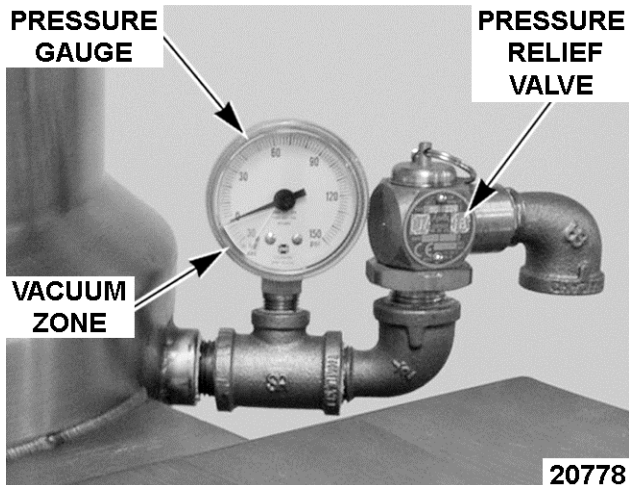


Fig. 34

1. With the kettle at room temperature, verify pressure gauge is in the vacuum zone and reading 25 to 30 in. Hg.
 - A. If vacuum is below minimum listed, air must be removed from reservoir jacket. Continue with procedure to vent as necessary.
2. Place kettle in full upright position.
3. Turn power switch on.
4. Set temperature dial to highest setting. Allow kettle to heat until the heat indicator light turns off.
5. Open pressure relief valve for approximately 10 seconds.
6. Turn power switch off and allow kettle to cool (room temperature).
7. Verify pressure gauge reading is within the correct vacuum range.
 - A. If reading is below minimum listed or will not maintain proper vacuum, check all threaded fittings extending from the kettle couplings (right and rear) for leaks and tightness.
 - 1) Check pressure relief valve for leaks from poor valve seating or built up debris. Manually operate the valve several times to reseal. Repeat venting procedure.
 - 2) If pressure relief valve is malfunctioning, install a replacement and check for proper operation.

FILLING THE RESERVOIR JACKET

NOTE: The reservoir water level must be maintained high enough to keep contact with the water level probe (LLCO). If low water light comes on during use, the visible level may be below the water level probe and must be replenished before heating can continue. The low water light will come on when kettle is tilted (tilting models only).

NOTICE

When filling reservoir jacket, use only distilled water and heat transfer fluid. The ratio is 2:1, 2 parts distilled water, 1 part Heat Transfer Fluid.

NOTE: Jacket fill port plumbing: A pipe elbow and pipe plug are installed on current construction kettles to open the fill port. A manual valve with knob was installed on previous construction kettles to open the fill port.

Partial Refill

1. Place kettle in full upright position (tilting models only).



Fig. 35

2. Turn power switch on.

Refer to: RESERVOIR JACKET VOLUME TABLE.

NOTICE

If Low water light is lit on control panel, continue with procedure to refill.

3. Set temperature dial to lowest setting.

⚠ WARNING

Pressure Relief Valve Exhaust. DO NOT connect to building water, gas, or steam supply. DO NOT block or restrict.

⚠ WARNING

Hot steam. The kettle and its parts are hot. Use care when operating, cleaning or servicing the kettle.

4. Open pressure relief valve until reservoir jacket is completely vented. Allow valve to snap shut to seal.
 5. If installed, open the manual valve on the fill port for the reservoir jacket at back of kettle.
 - A. Remove pipe plug from the valve/pipe elbow to open the fill port.
 - B. Insert funnel into the fill port and slowly add water until the level in the sight glass is 1/3 full. Low water light should be off (LLCO probe is satisfied). As necessary, vent the air from the jacket as outlined below:
 - 1) If pressure relief valve is installed at a separate location from the fill port (two different openings in the jacket), open the pressure relief valve to provide a vent for the jacket air to escape and aid in filling. Allow valve to snap shut to seal.
 - 2) If pressure relief valve and fill port are installed on the same plumbing assembly (single opening to the jacket), access the Pressure Switch (1PS), remove the compression nut from fitting near the tee and pull the tubing from the fitting.
 - C. Turn power switch off.
- NOTE:** Heat Transfer Fluid: Thermodyne 90395 GLYCOL, Heat Transfer fluid, 1 gallon, available at Parts Town or DOWFROST™ Propylene Glycol at ChemWorld.
6. Close manual valve (if installed) to prevent leaks. Hand tighten only.
 7. Clean pipe plug threads and apply thread sealant. Install pipe plug into valve/pipe elbow opening to close the fill port. Tighten to prevent leaks.
 8. Turn power switch on and verify low water light is not lit.
 - A. If low water light is lit, see Possible Causes for LOW WATER LIGHT IS LIT in TROUBLESHOOTING.
 - B. If low water light problem is still not resolved see Possible Causes for KETTLE DOES NOT HEAT in TROUBLESHOOTING.
 9. Remove air from reservoir jacket as outlined under VENTING.
 10. Check kettle for proper operation.

RESERVOIR JACKET VOLUME					
Model	Water (Qt)	Heat Transfer Fluid (Food Grade Antifreeze) (Qt)	Total (Qt)	Low Level Light OFF	Low Level To Fill
K6ETT	4	2	6	4 quarts	2 quarts
K12ETT	6	3	9	6 quarts	3 quarts
K20ETT	8	4	12	8 quarts	4 quarts

Complete Draining and Refill



⚠ WARNING

Disconnect the electrical power to the machine and follow lockout / tagout procedures.

⚠ WARNING

Pressure Relief Valve Exhaust. DO NOT connect to building water, gas, or steam supply. DO NOT block or restrict.

⚠ WARNING

Hot steam. The kettle and its parts are hot. Use care when operating, cleaning or servicing the kettle.

NOTE: Appearance of fluid will no longer be clear after usage in kettle.

1. Set temperature dial to lowest setting.
2. Open pressure relief valve until reservoir jacket is completely vented. Allow valve to snap shut to seal.
3. Remove pressure relief valve from kettle to vent the jacket and facilitate draining. Retain for reuse.
4. Remove draw-off valve or plug valve from kettle (stationary models only).
5. Place container under kettle to catch fluid and position it below the sight glass.
6. Remove sight glass using 36mm socket.
 - A. Stationary Models - It is recommended to use a drill pump to drain.
 - B. Tilting Models - Turn crank handle clockwise to tilt the kettle forward.
7. After draining is complete, place kettle in full upright position.
 - A. Install sight glass and tighten it to seal the internal O-ring to prevent leaks.
8. To Refill.
 - A. With kettle in full upright position.
 - B. If installed, open the manual valve on the fill port for the reservoir jacket at back of kettle.
 - C. Remove pipe plug from valve/pipe elbow to open the fill port.
 - D. Insert funnel into the fill port and slowly add mixture of water and heat transfer fluid to the reservoir jacket. Fill the jacket according to the volumes listed in the table below. The level in the sight glass should be 1/3 full. Refer to: RESERVOIR JACKET VOLUME
9. Close manual valve (if installed) to prevent leaks. Hand tighten only.
10. Clean pipe plug threads and apply thread sealant. Install pipe plug into valve/pipe elbow opening to close the fill port. Tighten to prevent leaks.
11. Install pressure relief valve to kettle.
12. Install draw-off valve or plug valve to kettle (stationary models only).
13. Re-connect power.
14. Turn power switch on and verify low water light is not lit.
 - A. If low water light is lit, see Possible Causes for LOW WATER LIGHT IS LIT in TROUBLESHOOTING.
 - B. If low water light problem is still not resolved see Possible Causes for KETTLE DOES NOT HEAT in TROUBLESHOOTING.

15. Remove air from reservoir jacket as outlined under VENTING.
16. Check kettle for proper operation and leaks.

RESERVOIR JACKET VOLUME			
Model	Water (Qt)	Heat Transfer Fluid (Food Grade Antifreeze) (Qt)	Total (Qt)
K6ETT	4	2	6
K12ETT	6	3	9
K20ETT	8	4	12

ELECTRICAL OPERATION

COMPONENT FUNCTION

Water Level Control (WLC LLCO)	Low water level control. Monitors condition of the WLC LLCO water level probe. Protects kettle from a low water condition in the reservoir jacket and removes power from heating circuit when kettle is tilted.
Probe, Water Level (LLCO)	Low Level Cut-Off (LLCO) probe connected to WLC (LLCO). Controls power to heating circuit.
Contactors (1CON) Limiting	Connects one side of heating element to power. Energized whenever WLC (LLCO) coil is energized.
Contactors (2CON) Regulating	Connects heating element to power. On constantly when temperature controller is calling for heat.
Element, Heating	Heats reservoir jacket fluid. The heat in the fluid is then transferred to kettle.
Fuse, (1FU & 2FU)	Slow blow 3A fuse. Located on primary side of main transformer (1T). Protects control circuitry from over-currents.
Switch (1PAS), Pressure	Pressure cut-out protection for the reservoir jacket. Range is between 38 to 42 PSI. Removes power from control circuit if pressure in the jacket rises above switch setting.
Transformer (1T), Main	Step down transformer from line voltage to 120VAC control circuit voltage.
Switch (1S), Power	Controls 120VAC to kettle control circuit.
Temperature Controller	Cycles power to regulating contactor (2CON) to maintain the set point temperature. An external set point potentiometer is used for temperature adjustments.
Lamp (1LT), Power	Amber (AM) colored lamp. On when power switch is on.
Lamp (2LT), Low Water	Red (RD) colored lamp. On when water level in the reservoir jacket drops below water level (LLCO) probe.
Lamp (3LT), Heat	Amber (AM) colored lamp. On when temperature controller is calling for heat.

COMPONENT LOCATION

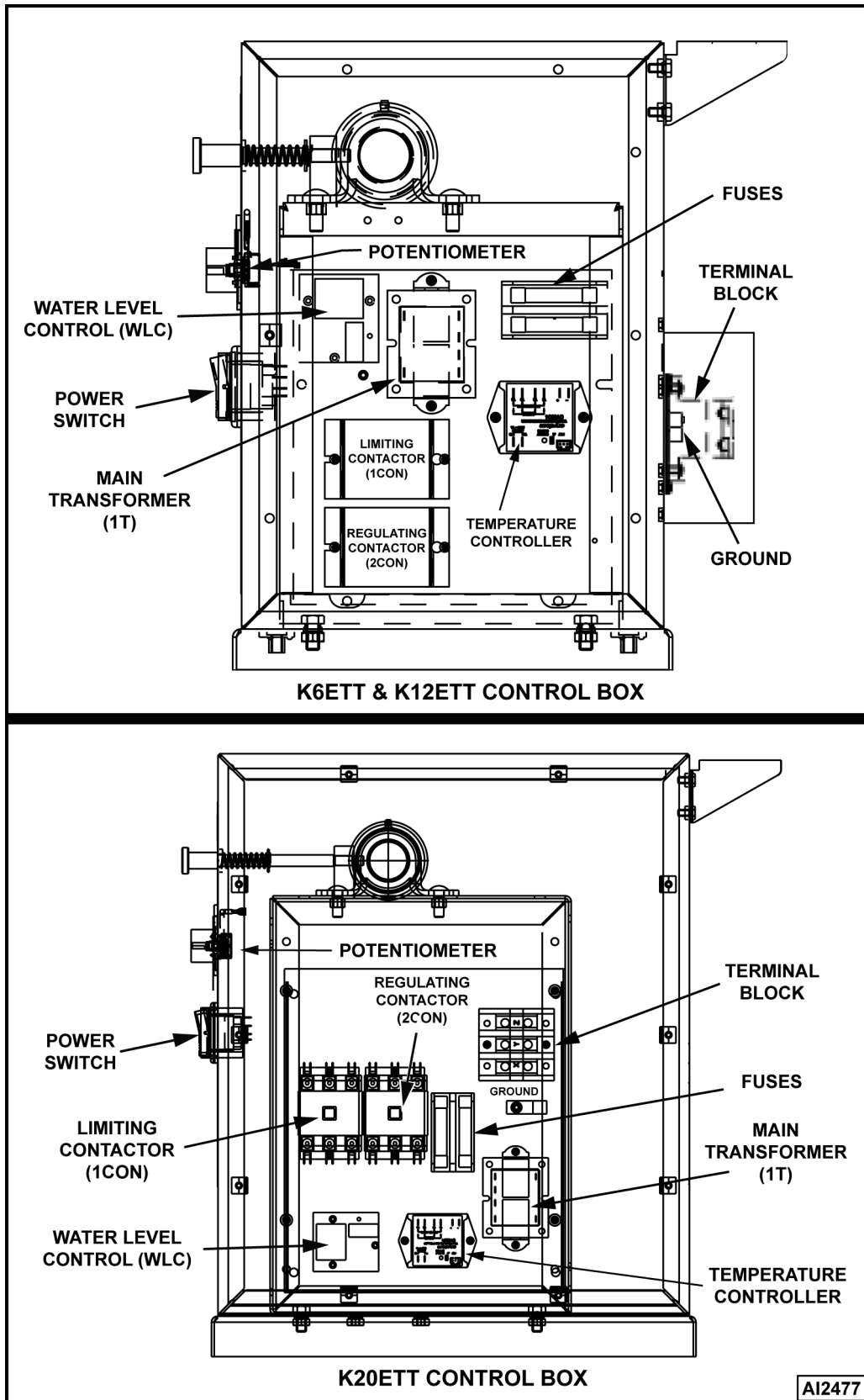


Fig. 36

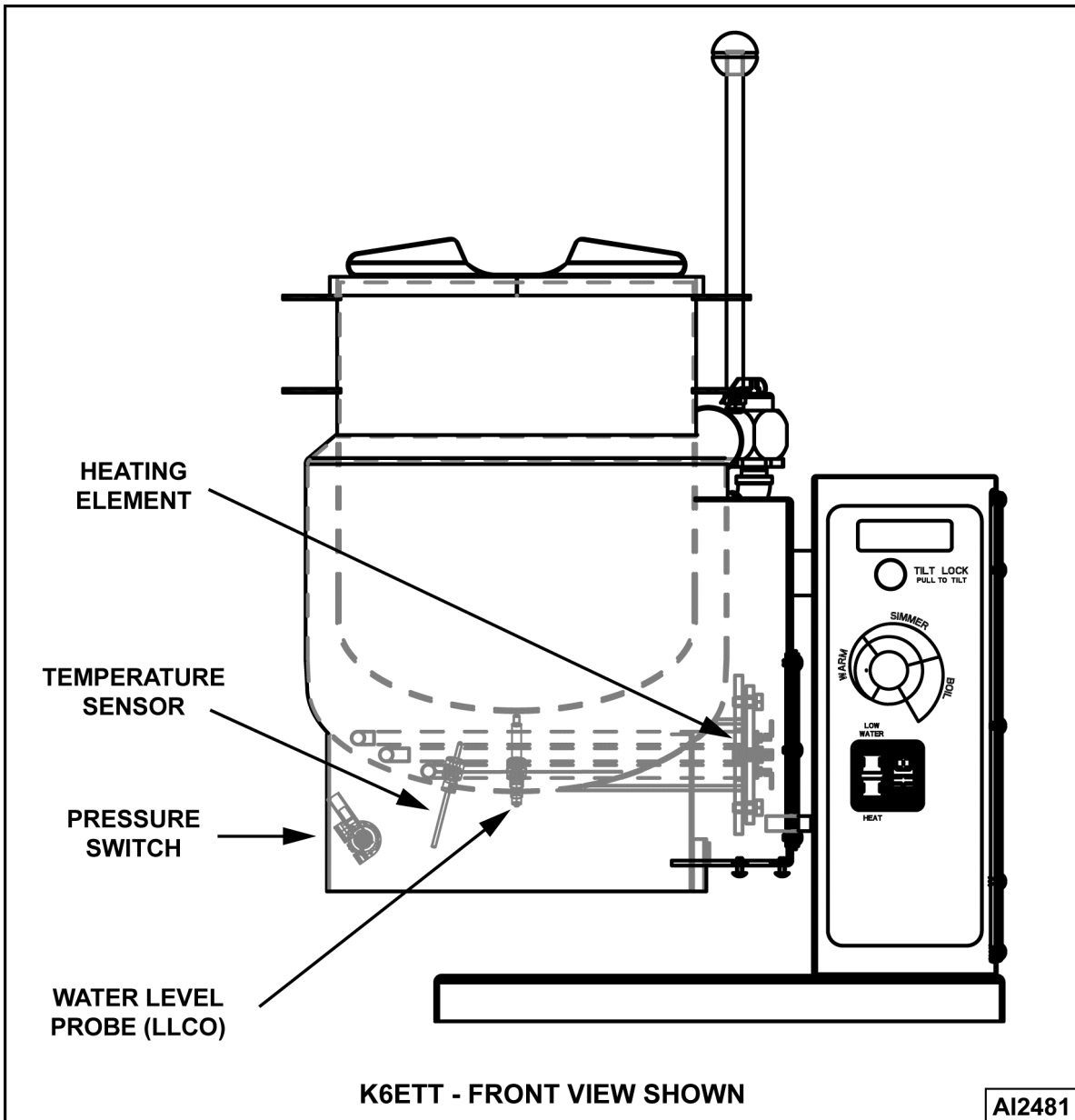


Fig. 37

WATER LEVEL CONTROL (WLC LLCO)

The water level control provides low level cut-off protection to shut off the heat source in case the fluid level in the kettle reservoir jacket drops below the WLC LLCO probe. A single low level cut-off probe (LLCO) is connected to the control.

The water level control has input voltage of 120VAC across terminals L1 and L2 which powers the primary side of the transformer on the board. One side of the transformer secondary is powered through a series path to chassis ground. The other side of the transformer secondary (12VAC) is connected to the LLCO probe that supplies power to the LLCO relay coil on the board. When the kettle is in the full upright position and the reservoir jacket fluid is at the proper level, the fluid is in constant contact with the LLCO probe and the circuit is completed.

When the power switch is turned ON, power is supplied to the water level control. With the kettle in the full upright position and the fluid level in the reservoir jacket in contact with the LLCO probe, the LLCO relay coil is energized. The LLCO relay contacts WLC LLCO-NC open, WLC LLCO-NO close and the LLCO LED turns on. When the kettle is tilted to empty the contents, the fluid is no longer in contact with the LLCO probe and the circuit is open. The LLCO relay coil is de-energized and LLCO LED turns off.

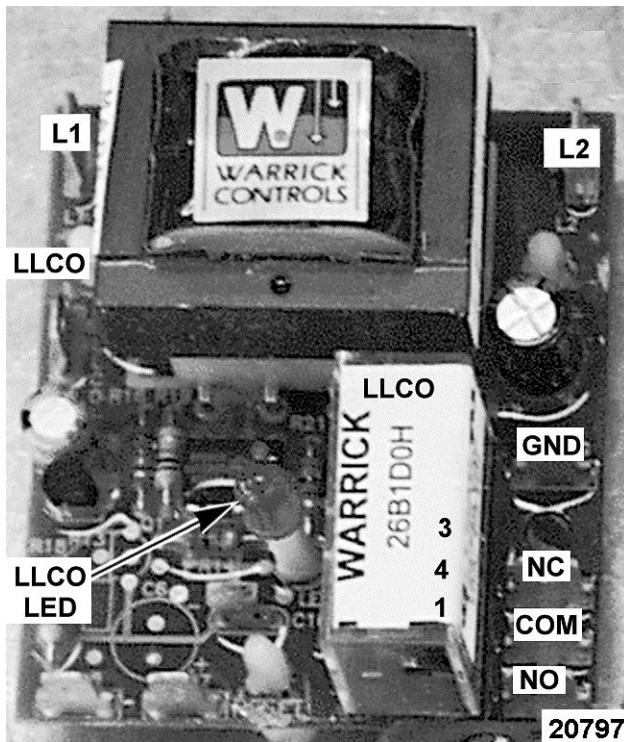
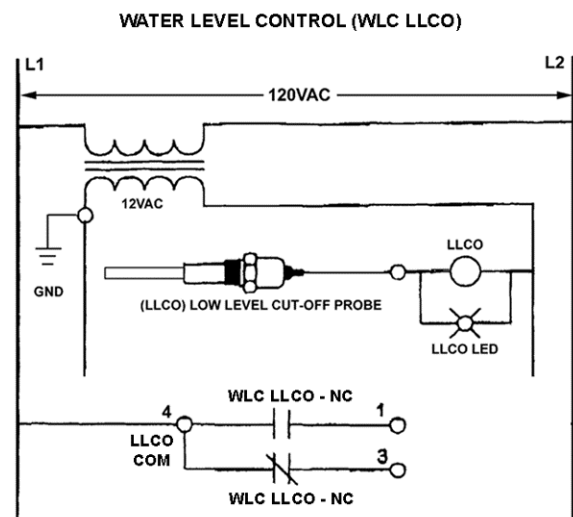


Fig. 38



20798

Fig. 39

SEQUENCE OF OPERATION

1. Conditions.

- A. Kettle connected to correct voltage supply and is properly grounded.
 - 1) 120VAC potential across X2 and X1 on secondary of main transformer.
- B. Power switch and light (1LT) (amber) are off.

- C. Low water light (2LT) (red) is off.
 - D. Pressure switch (1PAS) contacts closed.
 - E. Temperature dial at lowest setting (potentiometer fully CCW). 1) Internal relay contacts N.O. are open.
 - F. Kettle at room temperature and in the full upright position.
2. Power switch turned ON.
- A. Power light (1LT) (amber) comes on.

- B. Power from secondary of main transformer to control circuit thru pressure switch (1PAS) N.C. contacts.
3. Water level control (WLC) energized.
 - A. WLC LLCO probe satisfied (fluid in kettle reservoir jacket at proper level).
 - 1) LLCO LED comes on.
 - B. WLC LLCO N.C. contacts open. Low water light (2LT) (red) remains off.
 - C. WLC LLCO N.O. contacts close.
 - 1) Limiting contactor (1CON) energized (power to one side of heating elements).
 - 2) Power to temperature controller.
4. Set the temperature dial to call for heat (warm/simmer/boil).
 - A. 120VAC output from T8 on temperature controller.
 - 1) Heat light (3LT) (amber) comes on.
 - 2) Regulating contactor (2CON) energized and heating elements are powered.
5. Kettle reaches set point temperature.
 - A. Voltage output removed from T8 on temperature controller.
 - 1) Heat light (3LT) (amber) goes out.
 - 2) Regulating contactor (2CON) de-energized and powered is removed from heating elements.
6. Kettle heat cycles with the temperature controller.
7. Kettle tilted to empty contents.
 - A. WLC LLCO probe no longer satisfied (fluid in kettle reservoir jacket not in contact with probe). Water level control (WLC) LLCO relay de-energized.
 - 1) LLCO LED turns off.
 - B. WLC (LLCO) N.C. contacts close and low water light (2LT) (red) comes on.
 - C. WLC (LLCO) N.O. contacts open and power is removed from heating circuit.
8. Kettle returned to upright position. Water level control (WLC) circuit returns to normal operation and heating cycle resumes. Kettle heating will continue to cycle with the temperature controller until the temperature dial is turned fully CCW or power switch is turned OFF.

SCHEMATIC DIAGRAM

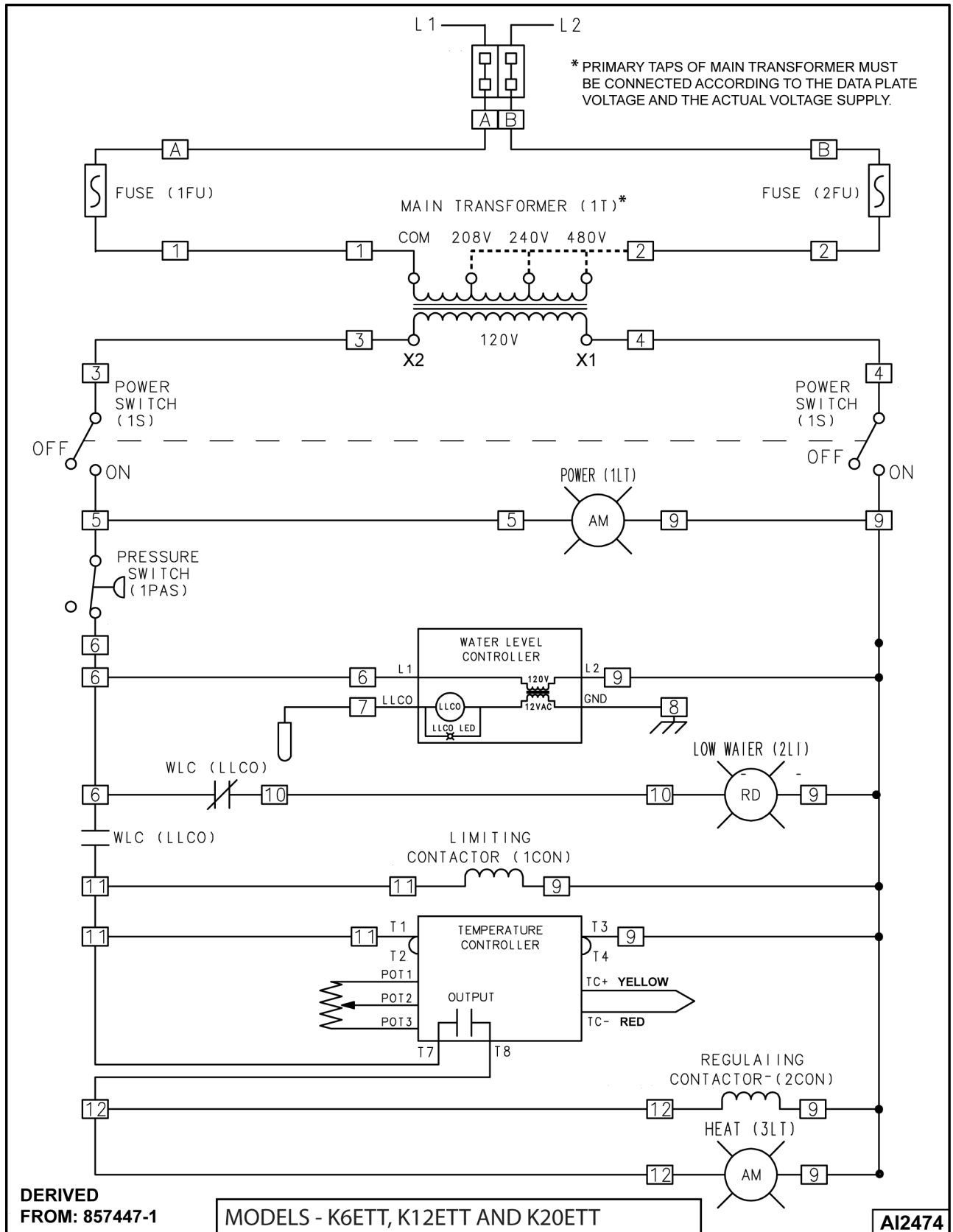


Fig. 40

WIRING DIAGRAM

Heating Element Wiring

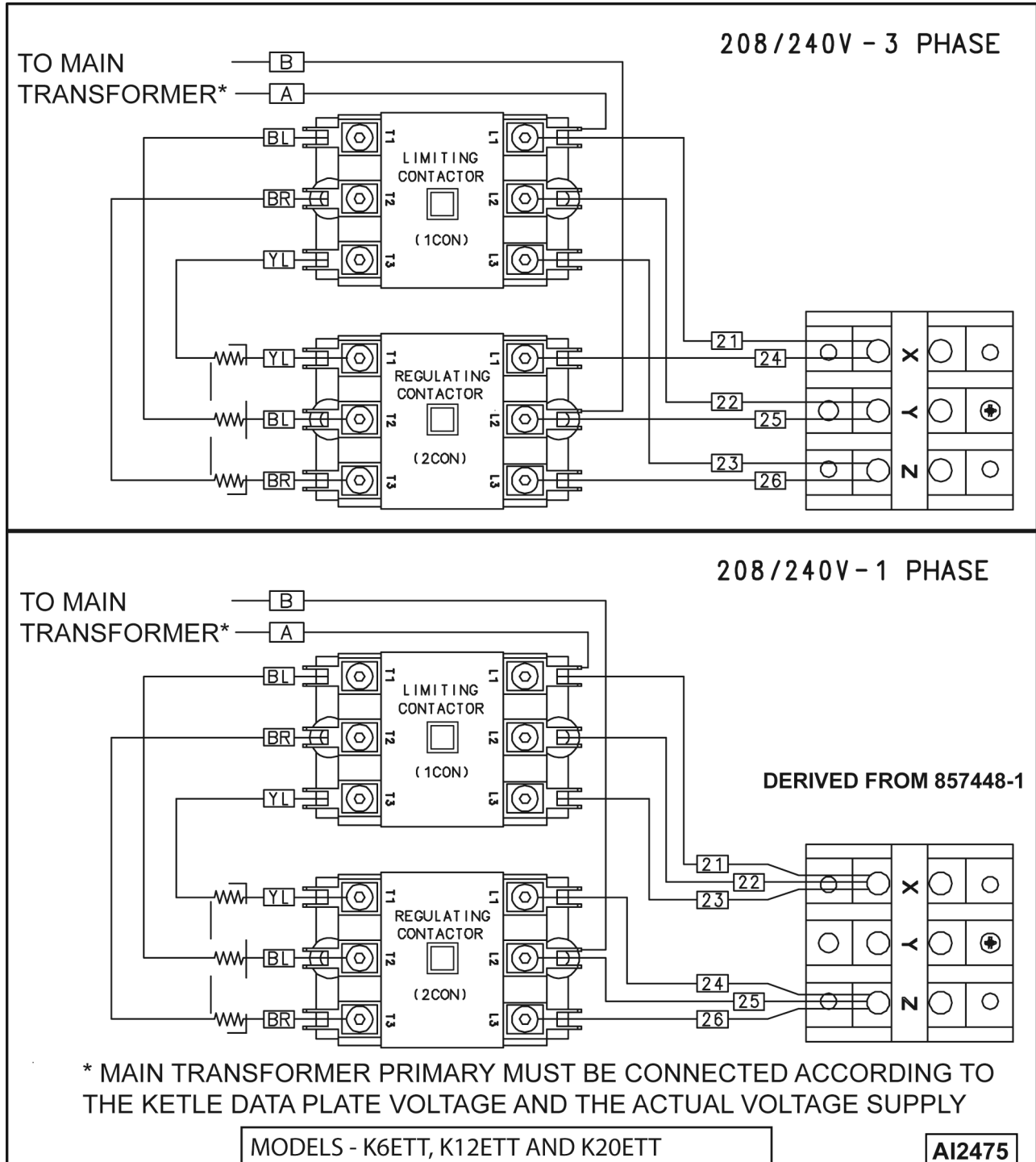
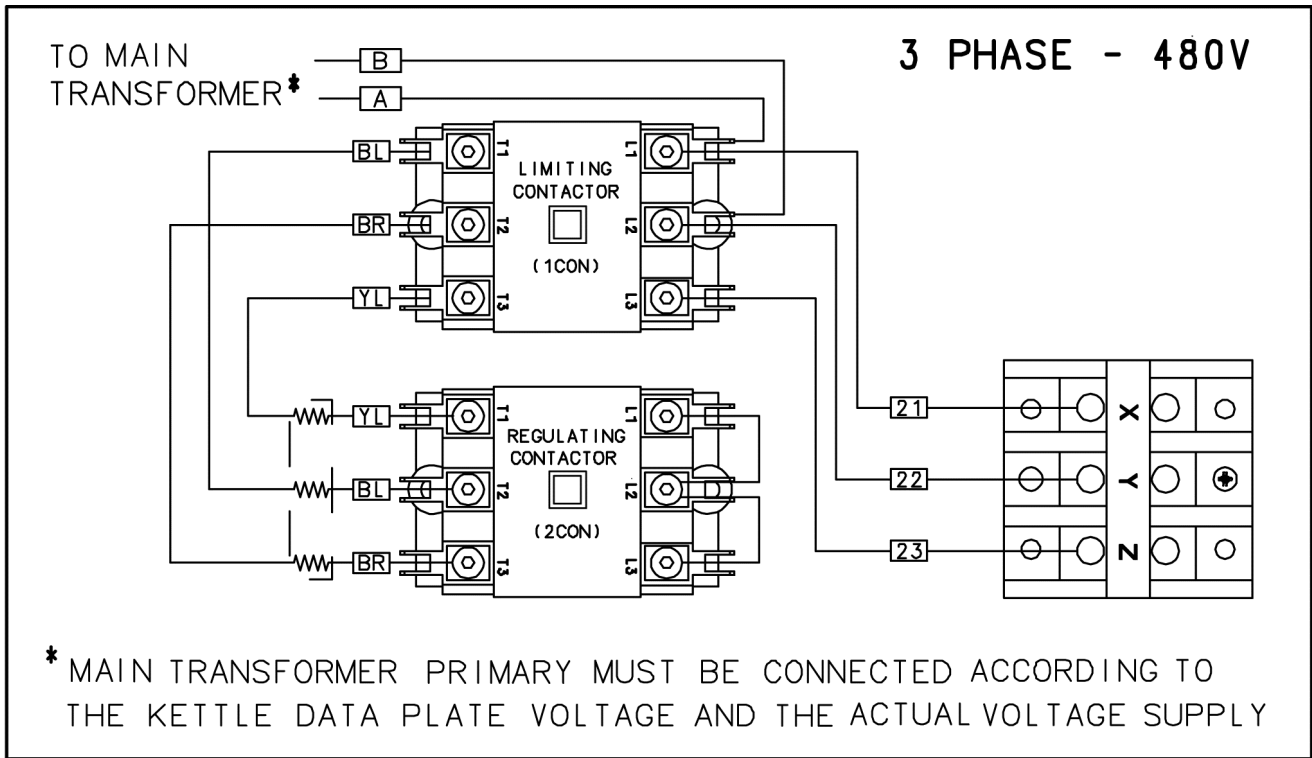
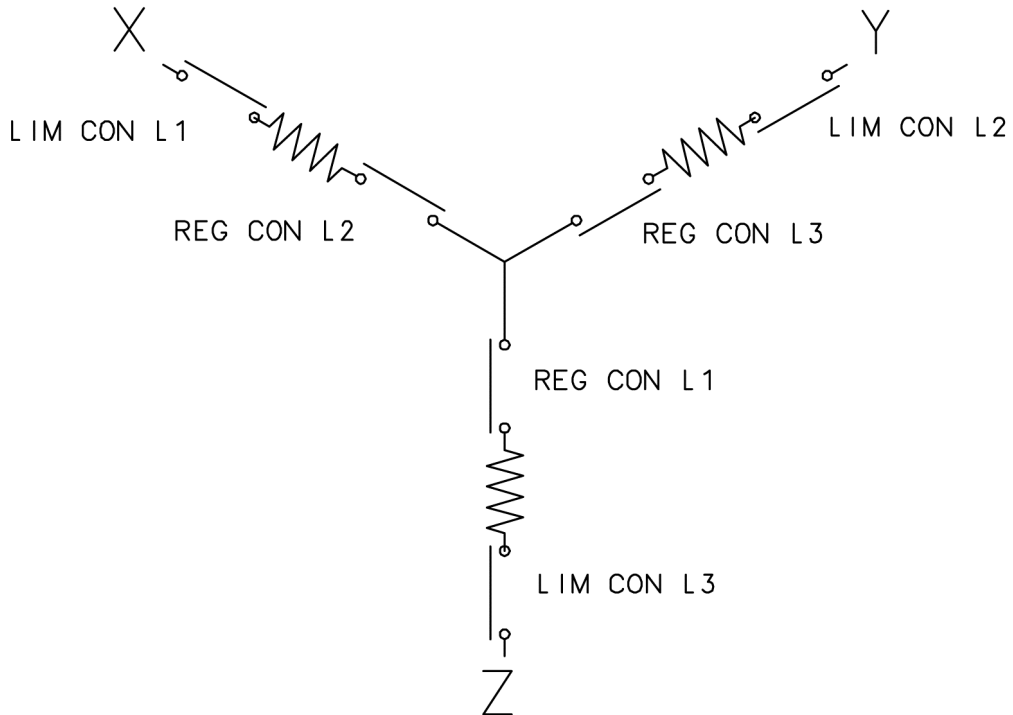


Fig. 41



WIRING DIAGRAM 3-PH WYE



DERIVED FROM:
857449-1

MODELS - K6ETT, K12ETT AND K20ETT

AI2476

Fig. 42

TROUBLESHOOTING

TROUBLESHOOTING

SYMPTOM	POSSIBLE CAUSES
Kettle does not heat, power light is lit, heat light is lit, low water light is not lit.	<ol style="list-style-type: none"> 1. Limiting contactor (1CON) malfunction. 2. Regulating contactor (2CON) malfunction. 3. Heating element malfunction.
Kettle does not heat, power light is lit, low water light is lit, heat light is not lit.	<ol style="list-style-type: none"> 1. Fluid level in reservoir jacket below water level probe (LLCO). 2. Water level probe (LLCO) wiring connection malfunction; or probe coated (not sensing fluid); or probe malfunction. 3. Water level control malfunction.
Kettle does not heat, power light is lit, low water light is not lit, heat light is not lit.	<ol style="list-style-type: none"> 1. Pressure switch (1PAS) malfunction. 2. Temperature sensor malfunction; potentiometer malfunction or temperature controller malfunction. 3. Interconnecting wiring malfunction.
Kettle does not heat, power light is not lit.	<ol style="list-style-type: none"> 1. Main circuit breaker off; or control circuit fuse F1 or F2 open. 2. Supply voltage incorrect. 3. Main transformer (1T) malfunction. 4. Power switch off or malfunction. 5. Interconnecting wiring malfunction.
Kettle heats up slow or will not boil product.	<ol style="list-style-type: none"> 1. No vacuum in reservoir jacket when kettle is cold. 2. Supply voltage incorrect. 3. Heating element malfunction. 4. Temperature sensor malfunction; or potentiometer malfunction; or temperature controller malfunction.