

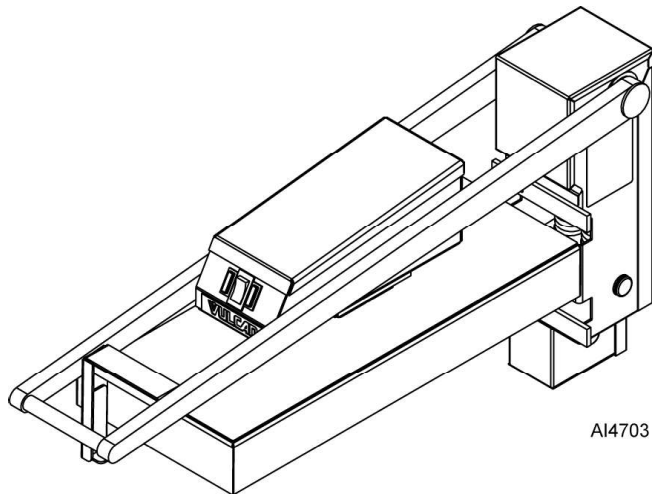
VULCAN

CATALOG OF REPLACEMENT PARTS

VMCS CLAMSHELL

MODEL

*VMCS-101
VMCS-102
VMCS-201
VMCS-202*

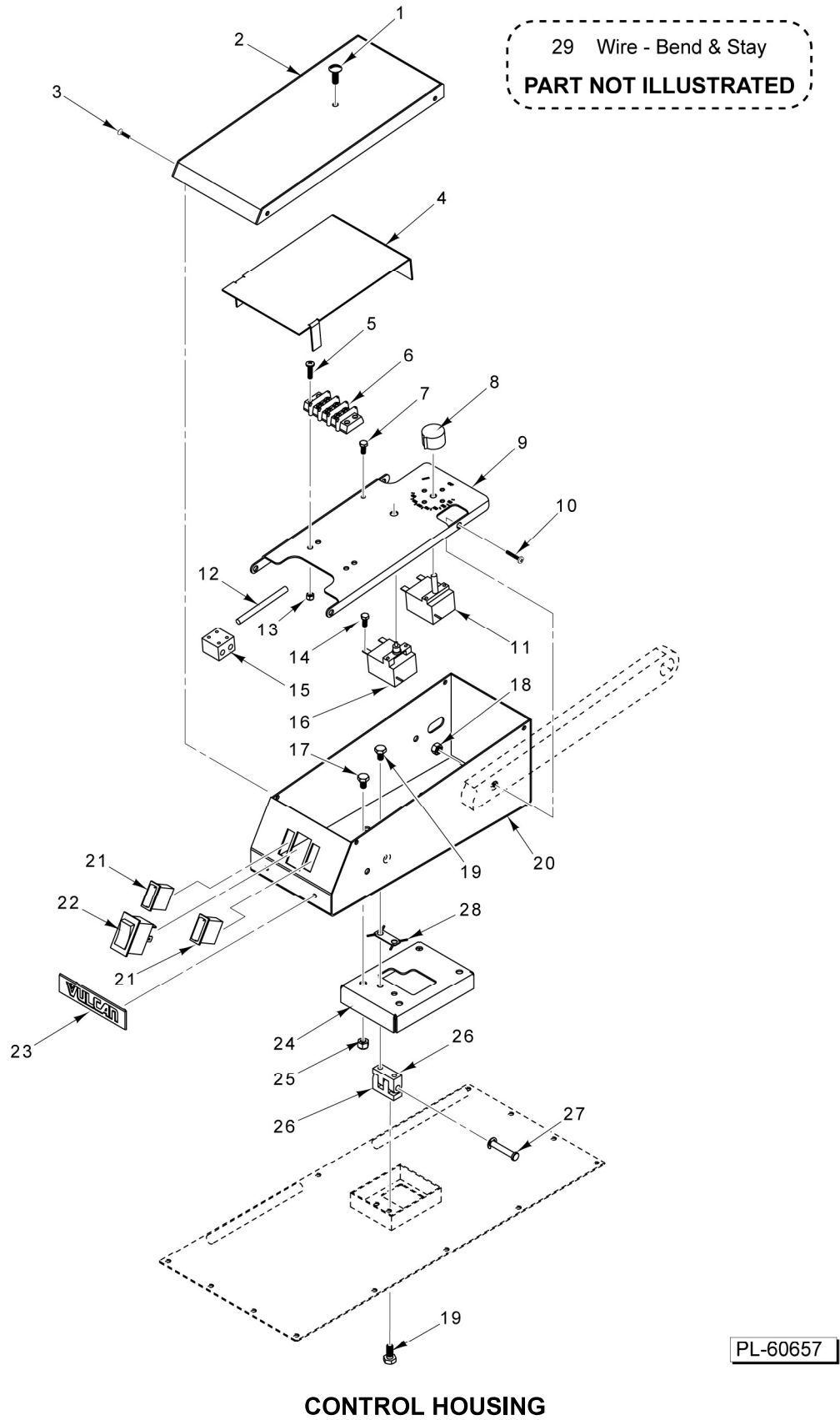


AI4703

For additional information on Vulcan Equipment or to locate an authorized parts and service provider in your area, visit our website at www.vulcanequipment.com

Table of Contents

| | |
|---|-----------------|
| 5 | CONTROL HOUSING |
| 7 | PLATE ASSEMBLY |
| 9 | ARM MECHANISM |



CONTROL HOUSING

| ILLUS. | PART NO. | NAME OF PART | AMT. |
|----------|-----------------|---|------|
| PL-60657 | | | |
| 1 | 00-945002 | Screw 1/4-20 Truss Hd. (5/8" Lg)..... | 15 |
| 2 | 00-945031 | Top Controls Box Weldment..... | 1 |
| 3 | 00-945009 | Screw 8-32 x 3/8 Pan Hd..... | 6 |
| 4 | 00-945060 | Wiring Cover Plate..... | 1 |
| 5 | 00-927435 | Screw 10-24 x 3/4 Lg..... | 4 |
| 6 | 00-945076 | Terminal Block..... | 1 |
| 7 | 00-945002 | Screw 1/4-20 Truss Hd..... | 1 |
| 8 | 00-411242-00001 | Knob..... | 1 |
| 9 | 00-945032 | Controls Box Mount Shelf..... | 1 |
| 10 | 00-945000 | Screw 1/4-20 x 1-1/4 Countersink..... | 4 |
| 11 | 00-944136 | Temperature Control..... | 1 |
| 12 | 00-945066 | Wiring Kit..... | 1 |
| 13 | 00-730534 | Nut 10-24 Hex KEPS..... | 4 |
| 14 | 00-922616 | Self-Tapping Screw 10-16 x 1/2..... | 1 |
| 15 | 00-945077 | Ceramic Junction Box..... | 1 |
| 16 | 00-944133 | High Limit Switch..... | 1 |
| 17 | 00-945105 | Screw - Cap 1/4-20 x 3/8..... | 2 |
| 18 | NS-047-72 | Lock Nut 1/4-20..... | 4 |
| 19 | 00-945005 | Screw 1/4-20 x 7/16 Hex Hd..... | 8 |
| 20 | 00-945030-0000A | Lower Controls Box Weldment..... | 1 |
| 21 | 00-944131 | Light - Indicator..... | 2 |
| 22 | 00-944441 | Switch - On / Off..... | 1 |
| 23 | 00-957916-00003 | Nameplate - Small (Vulcan)..... | 1 |
| 24 | 00-945029 | Platen Mount Plate..... | 1 |
| 25 | NS-047-72 | Lock Nut 1/4-20..... | 8 |
| 26 | 00-945045 | Hinge Parts..... | 2 |
| 27 | 00-945013 | Pin - Clevis 1/4 x 1-1/2..... | 1 |
| 28 | 00-976881-0000A | Kit - Safety Wire (Incls. Item 17)..... | 1 |
| 29 | 00-945106 | Wire - Bend & Stay..... | 1 |

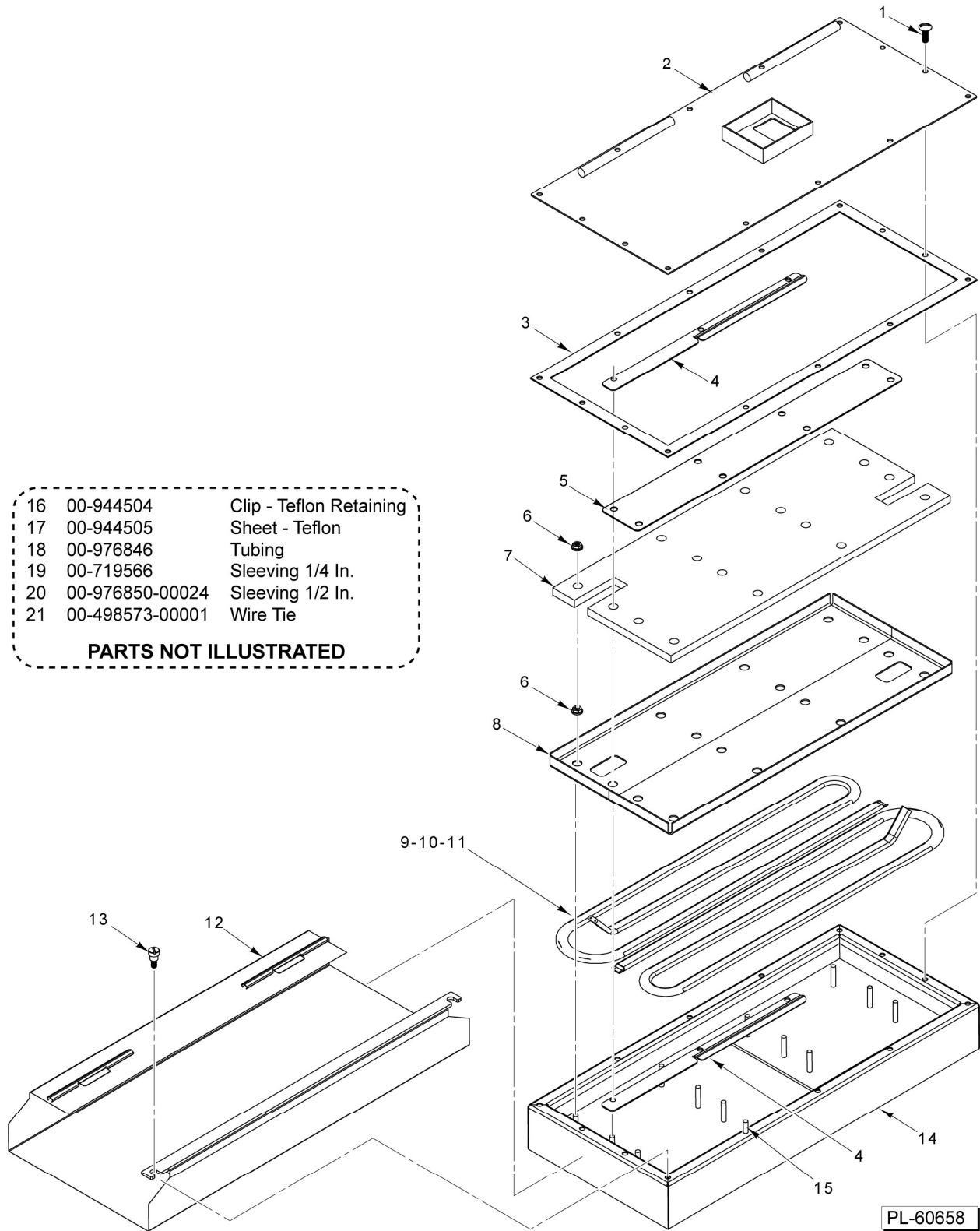
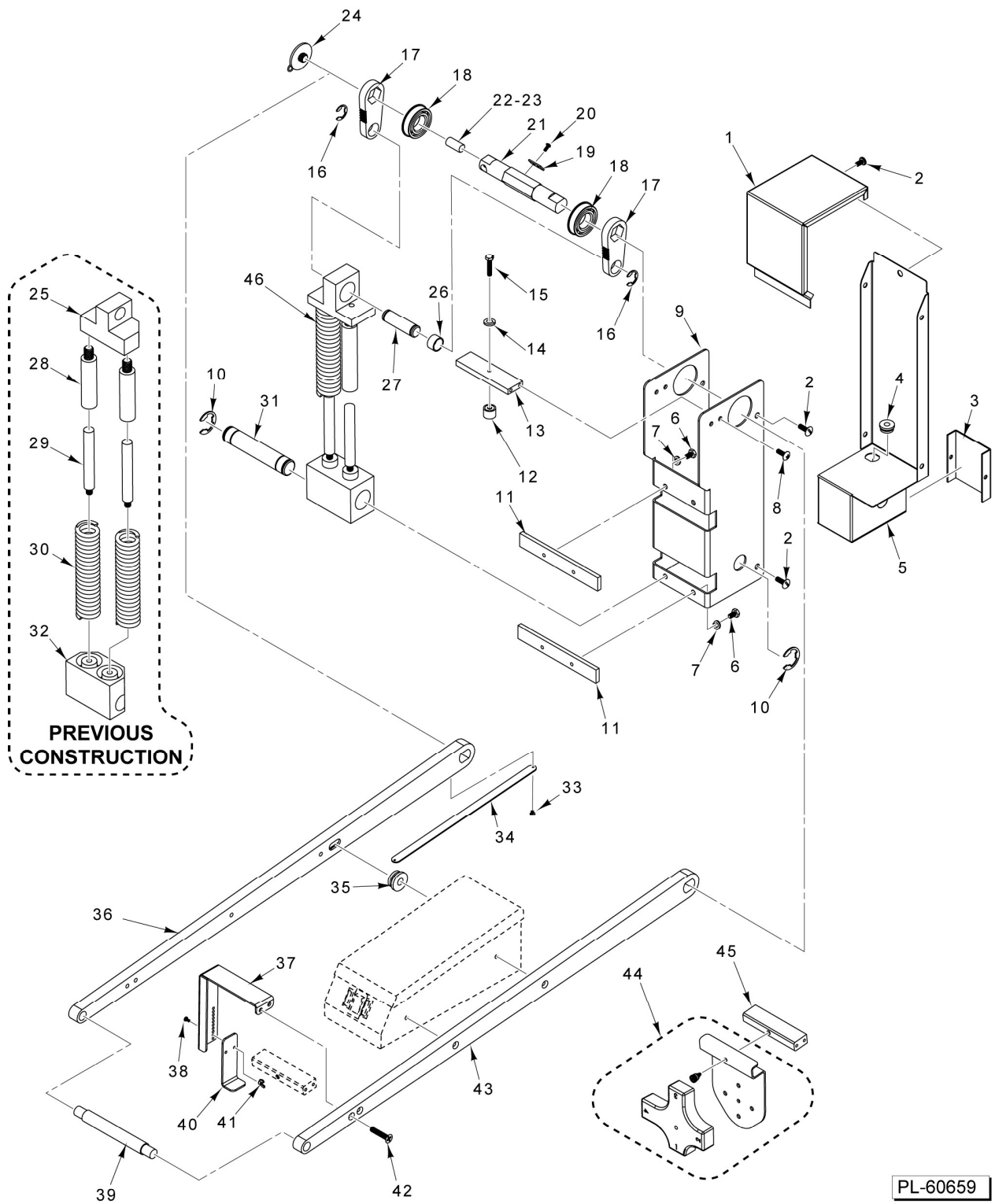


PLATE ASSEMBLY

PLATE ASSEMBLY

| ILLUS. | PART NO. | NAME OF PART | AMT. |
|----------|------------------|---|------|
| PL-60658 | | | |
| 1 | 00-945002 | Screw 1/4-20 Truss Hd..... | 12 |
| 2 | 00-945033-0000A | Platen Assy. Cover..... | 1 |
| 3 | 00-945063 | Platen Cover Gasket..... | 1 |
| 4 | 000-944371-B0001 | Bracket - Retainer..... | 2 |
| 5 | 00-944954 | Plate - Insulation Retainer..... | 1 |
| 6 | 00-945075 | Lock Nut 1/4-20 Flange Hex..... | 32 |
| 7 | 00-945053 | Platen Insulation..... | 1 |
| 8 | 00-945019 | Retainer - Heating Element..... | 1 |
| 9 | 00-945052-00001 | Element - Heating (208 V.) (Watlow)..... | 1 |
| 10 | 00-913126-00084 | Kit - Heating Element Repair (208 V.)..... | 1 |
| 11 | 00-945052-00002 | Element - Heating (240 V.) (Watlow)..... | 1 |
| *12 | 00-945085 | Teflon Kit..... | 1 |
| 13 | 00-945086 | Teflon Mount 1/4-20 Shoulder Bold..... | 2 |
| 14 | 00-945082-000A3 | Platen Plate and Side Panel Assy. (Smooth)..... | 1 |
| 15 | 00-113631-00024 | Stud - Self Clinching..... | AR |
| 16 | 00-944504 | Clip - Teflon Retaining..... | 1 |
| 17 | 00-944505 | Sheet - Teflon..... | 1 |
| 18 | 00-976846 | Tubing..... | AR |
| 19 | 00-719566 | Sleeving - Silicon 1/4 In..... | AR |
| 20 | 00-976850-00024 | Sleeving - Silicon 1/2 In..... | AR |
| 21 | 00-498573-00001 | Wire Tie..... | AR |

* Teflon sheets for Panda Express are not sourced by ITW.



ARM MECHANISM

ARM MECHANISM

| ILLUS. | PART NO. | NAME OF PART | AMT. |
|----------|-----------------|---|------|
| PL-60659 | | | |
| 1 | 00-945027 | Rear Housing Lid..... | 1 |
| 2 | 00-945002 | Screw 1/4-20 Truss Hd..... | 8 |
| 3 | 00-945028 | Junction Box Cover..... | 1 |
| 4 | 00-945083 | Grommet..... | 1 |
| 5 | 00-945026 | Rear Cover and Junction Box..... | 1 |
| 6 | 00-945005 | Screw 1/4-20 x 7/16 Hex Hd..... | 2 |
| 7 | 00-945007 | Lockwasher 1/4..... | 2 |
| 8 | 00-945001 | Screw 1/4-20 x 3/4 Truss Hd..... | 4 |
| 9 | 00-945025 | Rear Housing..... | 1 |
| 10 | 00-945006 | Retaining Clip 1 Shaft..... | 4 |
| 11 | 00-945011 | Mount Bars, VMCS..... | 2 |
| 12 | 00-945010 | Height Control Bumper..... | 1 |
| 13 | 00-945034 | Bumpstop Mount Plate..... | 1 |
| 14 | 00-945007 | Lockwasher 1/4..... | 1 |
| 15 | 00-945004 | Screw 1/4-20 x 1-1/4..... | 1 |
| 16 | 00-945062 | C-Clip 3/4 Shaft..... | 2 |
| 17 | 00-945020 | Pitman Arm Base..... | 2 |
| 18 | 00-945059 | Ball Bearing..... | 2 |
| 19 | 00-945058 | Centering Bracket..... | 1 |
| 20 | 00-945009 | Screw 8-32 x 3/8 Pan Hd..... | 1 |
| 21 | 00-945018 | Upper Pivot Rod..... | 1 |
| 22 | 00-719566 | Sleeving - Silicon..... | 1 |
| 23 | 00-945003 | Spring - Cut To Length (0.313")..... | 1 |
| 24 | 00-945035 | Cap - Axle Arm..... | 1 |
| *25 | 00-945021 | Upper Spring Mount (Previous Construction)..... | 1 |
| 26 | 00-945078 | Pitman Arm Bushing..... | 4 |
| 27 | 00-945061 | Upper Spring Cap Pin..... | 1 |
| *28 | 00-945022 | Spring Alignment Rod (Previous Construction)..... | 2 |
| *29 | 00-945056 | Lower Spring Alignment Shaft (Previous Construction)..... | 2 |
| *30 | 00-945051 | System Spring (Previous Construction)..... | 2 |
| 31 | 00-945024 | Lower Pivot Rod..... | 1 |
| *32 | 00-945023 | Lower Spring Mount (Previous Construction)..... | 1 |
| 33 | 00-498756 | Screw 6-32 x 3-16..... | 1 |
| 34 | 00-945048 | Cover - Wireway..... | 1 |
| 35 | 00-945083 | Grommet..... | 1 |
| 36 | 00-945015-00001 | Left Arm (With Wireway)..... | 1 |
| 37 | 00-944953 | Bracket - Gap Adjust..... | 1 |
| 38 | 00-091792-A0145 | Screw..... | 2 |
| 39 | 00-945017-00001 | Arm Handle..... | 1 |
| 40 | 00-944952 | Bracket - Gap Adjust Leg..... | 1 |
| 41 | 00-090866-A0007 | Wing Nut..... | 2 |
| 42 | 00-945000 | Screw 1/4-20 x 1-1/4 Countersink..... | 4 |
| 43 | 00-945016-00001 | Right Arm (Without Wireway)..... | 1 |
| 44 | 00-945087-0000A | Gap Adjust Accessory..... | 1 |
| 45 | 00-945088 | Mount Bar - Gap Adjust (Req'd W / Item 44)..... | 1 |
| **46 | 00-976771-0000A | Spring Mount Assy. (Current Construction)..... | 1 |

* No Longer Available, Use item 46.

** Can only be exchanged as an assembly in the field.

