

ACHIEVER VHP SERIES | ACCESSORIES

FIELD-INSTALLED ACCESSORIES

STAND

Stainless steel stand with marine edge casters



STAND/C-24 For VHP424, VHP424U
STAND/C-36 For VHP636, VHP636U
STAND/C-48 For VHP848, VHP848U

PLATE RAIL

Stainless steel plate rail, 10 $\frac{5}{8}$ " depth



PLTRAIL-24 For VHP424, VHP424U
PLTRAIL-36 For VHP636, VHP36U
PLTRAIL-48 For VHP848, VHP848U

CONDIMENT RAIL


Stainless steel condiment rail, 10 $\frac{5}{8}$ " depth. Pans not included



CONRAIL-24 For VHP424, VHP424U
 Capacity: (3) $\frac{1}{6}$ Pans or (1) $\frac{1}{3}$ Pan
CONRAIL-36 For VHP636, VHP636U
 Capacity: (5) $\frac{1}{6}$ Pans or (2) $\frac{1}{3}$ Pans
CONRAIL-48 For VHP848, VHP848U
 Capacity: (7) $\frac{1}{6}$ Pans or (3) $\frac{1}{3}$ Pans

CUTTING BOARD

Stainless steel cutting board with Sani-Tuff[®], 10 $\frac{5}{8}$ " depth



CUTBD-24 For VHP424, VHP424U
CUTBD-36 For VHP636, VHP636U
CUTBD-48 For VHP848, VHP848U

(Sani-Tuff[®] is a resilient material resistant to cracking, splintering and absorption of liquids)

6" LEGS

6" stainless steel legs



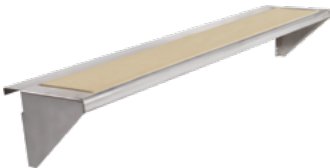
LEGS-GRD6
 For all VHP

900RX & MSA SERIES | ACCESSORIES

FIELD-INSTALLED ACCESSORIES

CUTTING BOARD*

Stainless steel cutting board with Sani-Tuff®, 10⁵/₈" depth




CUTBD-24 For 924RX / MSA24
CUTBD-36 For 936RD / MSA36
CUTBD-48 For 948RX / MSA48
CUTBD-60 For 960RX / MSA60
CUTBD-72 For 972RX / MSA72

(Sani-Tuff® is a resilient material resistant to cracking, splintering and absorption of liquids)

PLATE RAIL*

Stainless steel plate rail, 10⁵/₈" depth



PLTRAIL-24 For 924RX / MSA24
PLTRAIL-36 For 936RD / MSA36
PLTRAIL-48 For 948RX / MSA48
PLTRAIL-60 For 960RX / MSA60
PLTRAIL-72 For 972RX / MSA72

CONDIMENT RAIL*

Stainless steel condiment rail, 10⁵/₈" depth



CONRAIL-24 For 924RX / MSA24
 Capacity: (3) 1/8 Pans or (1) 1/2 Pan
CONRAIL-36 For 936RD / MSA36
 Capacity: (5) 1/8 Pans or (2) 1/2 Pans
CONRAIL-48 For 948RX / MSA48
 Capacity: (7) 1/8 Pans or (3) 1/2 Pans
CONRAIL-60 For 960RX / MSA60
 Capacity: (8) 1/8 Pans or (4) 1/2 Pans
CONRAIL-72 For 972RX / MSA72
 Capacity: (10) 1/8 Pans or (5) 1/2 Pans

*Standard plate rail, condiment rail and cutting board accessories are incompatible with rear grease trough griddles.



Accessory Code	Available on	Description
LEGS-GRD6	All 900RX/MSA	6" stainless steel legs
3/4QD-HOSE-4	All 900RX/MSA	3/4" x 4' long gas flex hose and quick disconnect
BANKING-STRIP	All 900RX/MSA	Griddle banking strip



INTEGRATED EQUIPMENT STANDS

Equipment stand integrated into griddle unit (37" working height)

ISTAND/C-24	924RX/MSA24	ISTAND/C-60	960RX/MSA60
ISTAND/C-36	936RX/MSA36	ISTAND/C-72	972RX/MSA72
ISTAND/C-48	948RX/MSA48		

VMG SERIES | OPTIONS

FIELD-INSTALLED ACCESSORIES

CUTTING BOARD*

Stainless steel cutting board with Sani-Tuff®, 10½" depth




CUTBD-24 (For VMG24)
CUTBD-36 (For VMG36)
CUTBD-48 (For VMG48)
CUTBD-60 (For VMG60)
CUTBD-72 (For VMG72)

(Sani-Tuff® is a resilient material resistant to cracking, splintering and absorption of liquids)

PLATE RAIL*

Stainless steel plate rail, 10½" depth



PLTRAIL-24 (For VMG24)
PLTRAIL-36 (For VMG36)
PLTRAIL-48 (For VMG48)
PLTRAIL-60 (For VMG60)
PLTRAIL-72 (For VMG72)

CONDIMENT RAIL*

Stainless steel condiment rail, 10½" depth



Pans not included

CONRAIL-24 (For VMG24)
 Capacity: (3) 1/6 Pans or (1) 1/3 Pan
CONRAIL-36 (For VMG36)
 Capacity: (5) 1/6 Pans or (2) 1/3 Pans
CONRAIL-48 (For VMG48)
 Capacity: (7) 1/6 Pans or (3) 1/3 Pans
CONRAIL-60 (For VMG60)
 Capacity: (8) 1/6 Pans or (4) 1/3 Pans
CONRAIL-72 (For VMG72)
 Capacity: (10) 1/6 Pans or (5) 1/3 Pans

*Cutting board, plate rail and condiment rail are incompatible with rear grease trough griddles.

QUICK DISCONNECT HOSE


¾" x 4' Long gas flex hose and quick disconnect



3/4QD-HOSE-4

UNIVERSAL EQUIPMENT STANDS

30" Depth stainless steel stand with ½" marine edge and 5" casters (deck height is 24" from floor level)



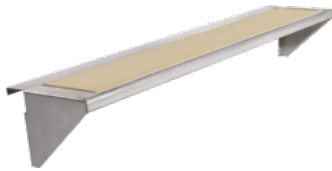
STAND/C-24	All 24" Countertop Equipment
STAND/C-36	All 36" Countertop Equipment
STAND/C-48	All 48" Countertop Equipment
STAND/C-60	All 60" Countertop Equipment
STAND/C-72	All 72" Countertop Equipment

RRE & HEG SERIES | ACCESSORIES

FIELD-INSTALLED ACCESSORIES

CUTTING BOARD*

Stainless steel cutting board with Sani-Tuff®, 10 $\frac{5}{8}$ " depth.



- CUTBD-24** For HEG924E / RRE24E
- CUTBD-36** For HEG36RD / RRE36E
- CUTBD-48** For HEG48E / RRE48E
- CUTBD-60** For HEG60E / RRE60E
- CUTBD-72** For HEG72E / RRE72E

(Sani-Tuff® is a resilient material resistant to cracking, splintering and absorption of liquids)

PLATE RAIL*

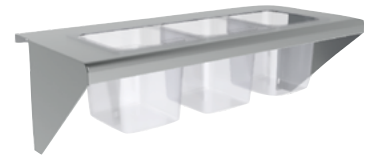
Stainless steel plate rail, 10 $\frac{5}{8}$ " depth.



- PLTRAIL-24** For HEG924E / RRE24E
- PLTRAIL-36** For HEG36RD / RRE36E
- PLTRAIL-48** For HEG48E / RRE48E
- PLTRAIL-60** For HEG60E / RRE60E
- PLTRAIL-72** For HEG72E / RRE72E

CONDIMENT RAIL*

Stainless steel condiment rail, 10 $\frac{5}{8}$ " depth.



- CONRAIL-24** For HEG924E / RRE24E
Capacity: (3) $\frac{1}{8}$ Pans or (1) $\frac{1}{2}$ Pan
- CONRAIL-36** For HEG36RD / RRE36E
Capacity: (5) $\frac{1}{8}$ Pans or (2) $\frac{1}{2}$ Pans
- CONRAIL-48** For HEG48E / RRE48E
Capacity: (7) $\frac{1}{8}$ Pans or (3) $\frac{1}{2}$ Pans
- CONRAIL-60** For HEG60E / RRE60E
Capacity: (8) $\frac{1}{8}$ Pans or (4) $\frac{1}{2}$ Pans
- CONRAIL-72** For HEG72E / RRE72E
Capacity: (10) $\frac{1}{8}$ Pans or (5) $\frac{1}{2}$ Pans

LEGS

6" stainless steel legs



- LEGS-GRD6**
All HEG(E) & RRE(E)

BANKING-STRIP

Griddle banking strip



IMAGE NOT AVAILABLE

- BANKING-STRIP**
All HEG(E) & RRE(E)

INTEGRATED EQUIPMENT STANDS

Equipment stand integrated into griddle unit (37" working height)



IMAGE NOT AVAILABLE

- ISTAND/C-24** For HEG924E / RRE24E
- ISTAND/C-36** For HEG36RD / RRE36E
- ISTAND/C-48** For HEG48E / RRE48E
- ISTAND/C-60** For HEG60E / RRE60E
- ISTAND/C-72** For HEG72E / RRE72E

*Standard plate rail, condiment rail and cutting board accessories are incompatible with rear grease trough griddles.