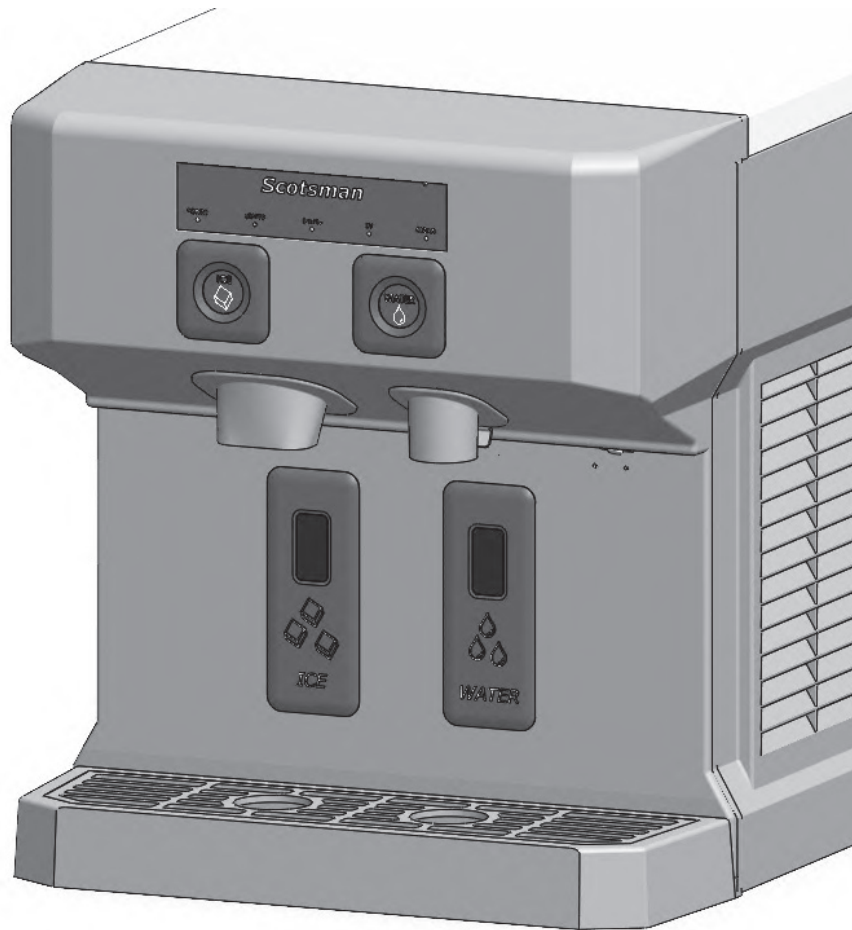




Installation and User Manual for Ice Maker-Dispenser Model HID207



Important Safety Information. Make sure to read through fully to avoid severe injury or death.



- This ice machine contains **FLAMMABLE** refrigerant and risk of fire or explosion. Do not use cigarettes, vapes, cellphone, near pipes or cables as it can be a source of ignition or spark.



- Ice machine must not be installed next to equipment with open ignition source (ie. open flames, an operating gas appliance, or electric heater).



- Take precautions and do not install next to, anything that continuously vibrates, avoiding excessive vibrations or pulsations.



- Make sure to install in a well ventilated environment and ensure ventilation and outlets are not obstructed.



- Properly secure electrical wiring and cabling so as not subject to wearing or vibrations.

- Keep fire extinguisher on hand nearby in case of emergencies.



- **WARNING:** Cancer and Reproductive Harm. Visit www.P63Warnings.ca.gov for details.

- Use a Scotsman recommended technician certified to repair R290 equipment.

- Use **ONLY** Scotsman factory service parts. Use of non OEM parts can be dangerous because of the design changes needed to safely use R290.

HID207 User Manual

Introduction

The ice maker-dispensers covered in this manual were designed by to be the finest on the market. Their design is a result of Scotsman’s long experience in ice maker-dispensers.

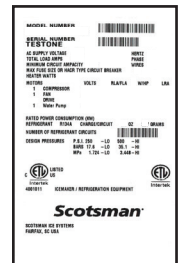
HID207 is 16.05 inches wide and air cooled only.

Contents

Specifications	2
HID207 Cabinet Drawing.	3
HID207 Indicator Light Panel	4
Placement	5
Counter Installations	6
Installation Water and Drain	7
Installation: Electrical	8
Initial Start Up	9
Component Location	10
Ice Storage and Dispensing	11
Operation: Ice and Water Vending	12
Controller.	13
Maintenance and Cleaning	14
Air filter	15
Ice level controls	16
Maintenance and Cleaning - Dispensing Bin Components	17
Ice Making and Ice Dispensing System Cleaning Instructions	18
Sanitize Water System	20
Other Maintenance	21
Before Calling For Service	22
For The Service Tech - R290	23
Decommissioning	24

Scotsman Ice Systems are designed and manufactured with the highest regard for safety and performance. They meet or exceed the standards of UL and NSF.

Their marks appear on the dataplate or serial tag, located in the inside and back. The dataplate also contains the model and serial numbers as well as electrical requirements on the back plate.



HID207

User Manual

Specifications

The ice maker-dispenser is designed to be installed indoors, in a controlled environment. Although it can operate in a wide range of air and water temperatures, it will provide the best performance if not subject to extremes.

Air Temperature Limitations

- Maximum: 100°F. or 38°C.
- Minimum: 50°F. or 10°C.

Water Temperature Limitations

- Maximum: 100°F. or 38°C.
- Minimum: 40°F. or 4.4°C.

Water Pressure, potable

- Maximum: 80 PSI or 5.5 Bar
- Minimum: 20 PSI or 1.3 Bar

Water Conductivity:

- Minimum: 10 microSiemens/cm

RO water may be supplied to the potable water system, but if it has less than the above conductivity, the water level sensor will not detect water and the unit will not make ice.

Deionized water will not work and isn't recommended.

Voltage - 60 Hz

- Maximum: 126 Minimum: 104

Operating the machine outside of any of the above limitations is considered abuse and any resulting damage is not covered by warranty and could cause a complete loss of warranty coverage.

Warranty Information

The warranty statement for this product is provided separately from this manual. Refer to it for applicable coverage. In general, warranty covers defects in material or workmanship. It does not cover maintenance, corrections to installations, or situations when the machine is operated in circumstances that exceed the limitations printed above.

This is a commercial model, if installed in a residence some commercial service companies may not be able to service it on site.

Product Information

The product is an ice maker-dispenser. It is designed to be installed on a countertop or on a specific machine stand.

- All models require a drain. An internal drain basin separates the ice storage bin's drain from the drip tray drain.

- A backflow preventer may be required by local plumbing codes, although backflow is prevented by the included float and reservoir design.

- It is equipped with a 7.5 ft. power cord with NEMA 5-15P plug.

- Air flow is left to right and there is a cleanable air filter included.

- 4" or 10 cm legs are optional for counter models. Thread size 3/8 - 16.

- Ice or water vending is triggered by touch free sensors or buttons, depending upon the model.

- For available options and kits, see sales literature.

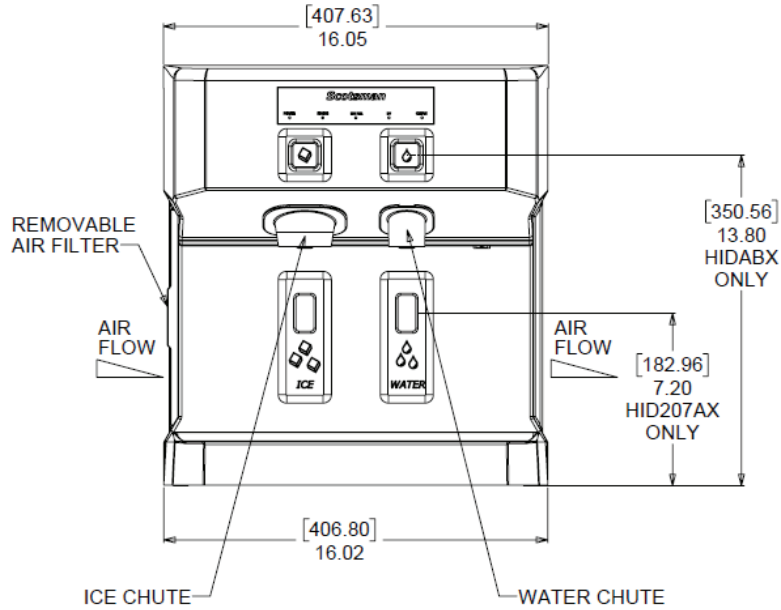
Scotsman Ice Systems are designed and manufactured with the highest regard for safety and performance.

Scotsman assumes no liability or responsibility of any kind for products manufactured by Scotsman that have been altered in any way, including the use of any part and/or other components not specifically approved by Scotsman.

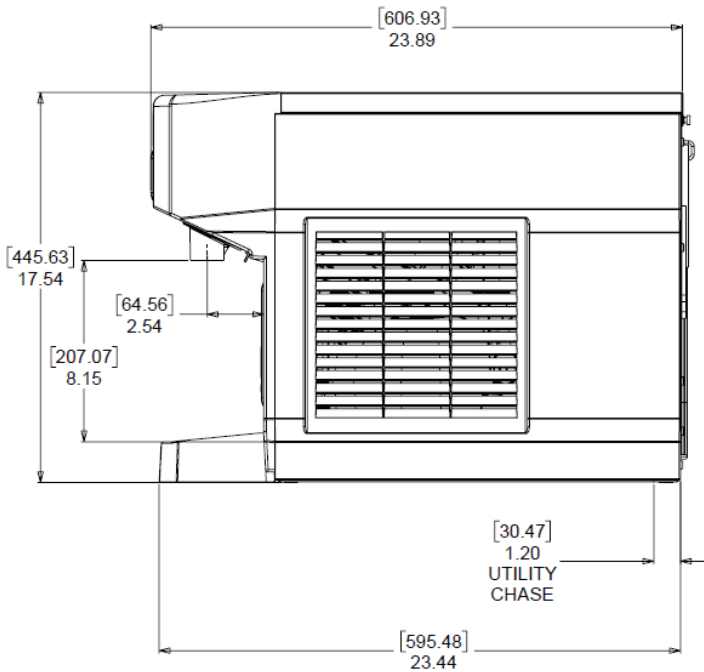
Scotsman reserves the right to make design changes and/or improvements at any time. Specifications and design are subject to change without notice.

HID207
User Manual
 HID207 Cabinet Drawing

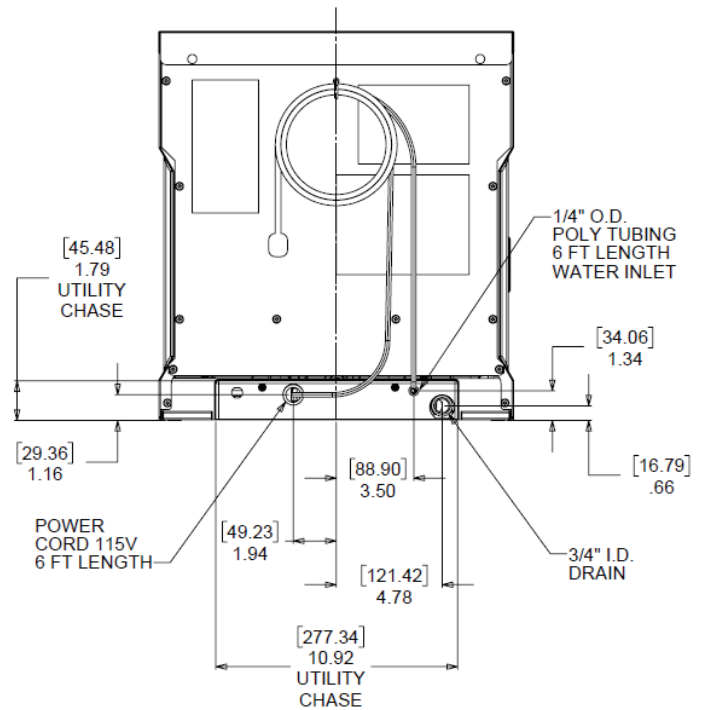
FRONT VIEW



RIGHT SIDE VIEW



BACK VIEW



HID207

User Manual

HID207 Indicator Light Panel

The front of the HID207 includes an Indicator Light Panel that informs users of several important operational facts:



Power: When this light is ON, it indicates that there is power connected to the machine.

Status: This light glows when the machine is making ice.

Bin Full: When this light is ON, the ice storage container or bin is full of ice and the machine is either no longer making ice or is in the process of stopping to make ice.

UV: The HID207 includes a Ultra Violet water sanitation light. This indicator light lets the user know when the UV module needs to be replaced.

Clean: The Clean light informs the user that the regular cleaning of this unit has not been completed.

HID207

User Manual

Placement

The location of the equipment should be selected with care. Consideration should be given to allow adequate space on the sides for these air cooled models to breathe.

Minimum clearances:

- 6 inches or 15 cm at each side
- 2 inches or 5 cm above, 10" or 25 cm more to allow auger removal when ceiling is fixed.
- 6 inches or 15 cm at the back.

Airflow Direction

Air flows air left to right. More space than the minimum at the sides will maximize performance.

The power outlet must be located within the length of the supplied power cord. If placed on a counter, the counter must be strong enough to support the weight of the unit. Space above the cabinet should be allowed for service and maintenance. If legs will be used, allow space for the total cabinet height.

Placement in a small room will require ventilation to exhaust the heat they produce. They also produce some added noise from the fan. Noise sensitive areas should consider locating the machine where the noise from ice making is not objectionable.

Nearby infrared emitters or a window that allows sunlight to shine on a dispensing sensor (only on model HID207AX) may cause the unit to dispense ice or water without a container to trigger it.

Cafeteria applications.

Note: Limited application due to small capacity.

The unit can be placed in a cafeteria line for ice and water. As some users sometimes dispense too much ice, high volume use may require the drip tray to be occasionally cleared of spilled ice.

Caution:

Care must be taken whenever moving or servicing the unit. The refrigerant is contained in a sealed system, but if released it may be flammable.

Model Information

Model	Voltage volts/Hz/phase	Dimensions (w" x d" x h")	MCA	Condenser Type	Refrigerant (R-290)	Dispense Trigger
HID207AX-1A	115/60/1	16.05 x 17.53 x 23.78	11.8	Forced air	3 Oz	Photo Eye
HID207ABX-1A	115/60/1	16.05 x 17.53 x 23.78	11.8	Forced air	3 Oz	Button

HID207

User Manual

Counter Installations

Units placed on a counter must either use legs or be sealed to the counter top with food grade sealant per local codes. To avoid disturbing the seal, complete the installation prior to sealing.

Note: Seal Chassis to Counter, do NOT Seal Drip Tray

Legs

4" legs are optional for countertop applications (Part number:KLP24A). In order to securely fasten the legs, the rubber feet must be removed. They are not to be used on the HID dispenser when it is placed on a machine stand.

Note: Use only legs of 4" minimum height.

Set Up

The drip tray and cup rest are shipped in place, but they can be easily removed. It is a good idea to remove the front panel and inspect for any loose or rubbing parts prior to installation.

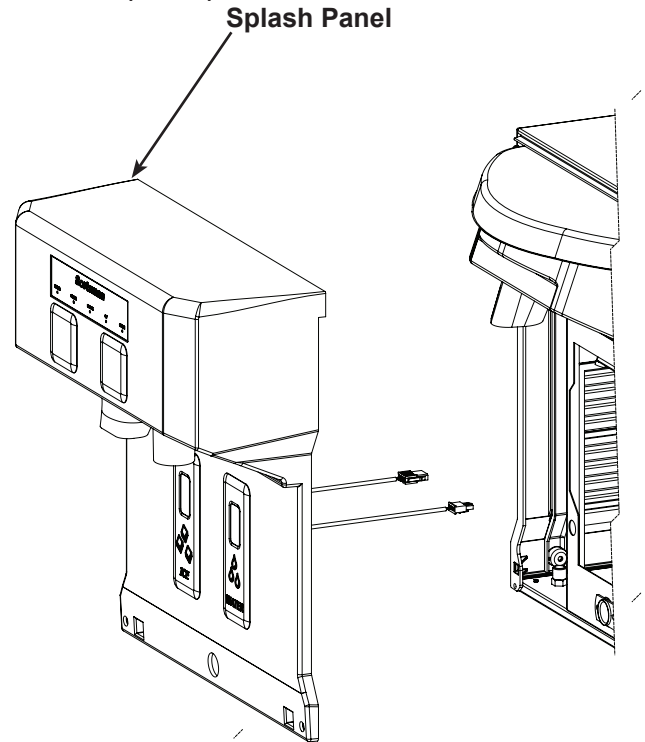
Splash Panel Removal

1. Pull outward on drip tray to release from unit.
2. Remove top panel.
3. Swing bottom of panel forward, unplug sensor or switch connectors and separate panel from unit.
4. Remove screws at top and bottom of front panel.
5. Pull levers at rear of chutes to un-snap ice and water dispense chutes and remove from panel.
6. Lift splash panel off the unit.
7. Inspect for loose or rubbing parts. Correct as needed.
8. Return splash panel to its original position and secure the panel with its screws.
9. Return drip tray to its original position.

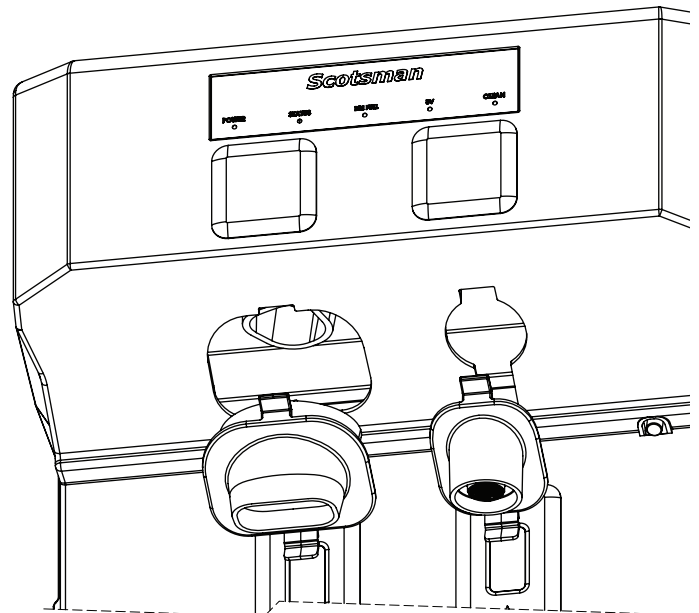
Pre-Start Inspection

1. Level the cabinet front to back and left to right.
2. Confirm there are no loose or rubbing parts.

3. Return splash panel and chutes to unit.



HID207AX Shown, HID207ABX Similar



HID207

User Manual

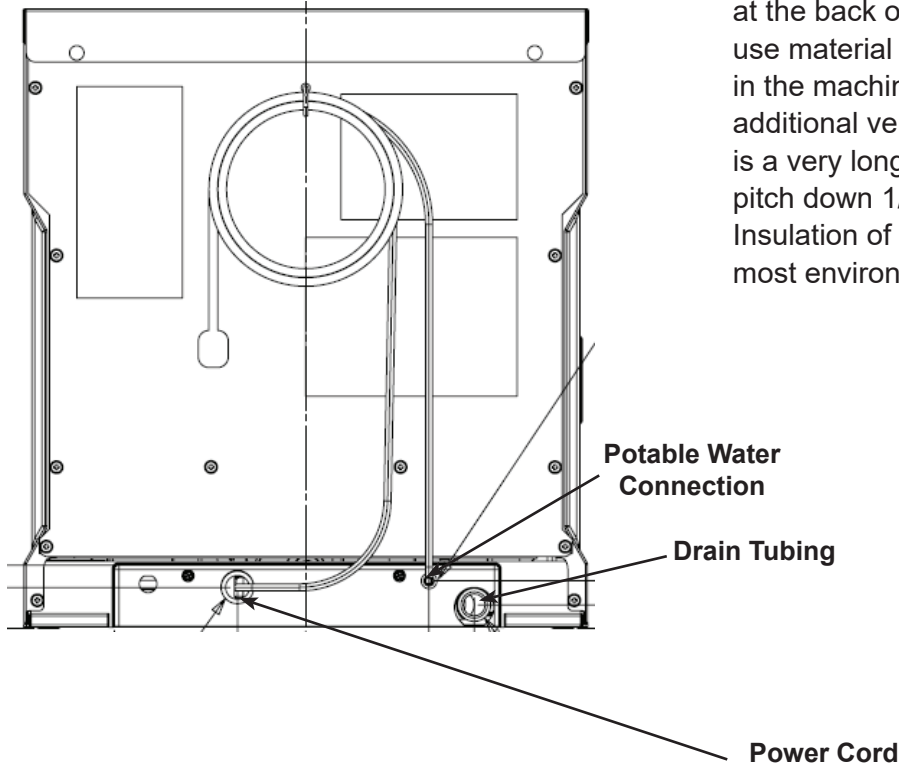
Installation Water and Drain

Installation should be done by an experienced ice machine installer. To locate one, call the number on the back of this manual or go to Scotsman's website www.scotsman-ice.com to identify a local distributor or service company.

The machine will require power, water and drain. Locate the water supply fitting on the lower back of the cabinet and obtain the correct fitting to connect the water supply.

Plumbing Connections:

- Potable water connection: Poly Tubing $\frac{1}{4}$ O.D. x 6 FT length



- Cabinet drain connection: $\frac{3}{4}$ I.D. Tubing to accept $\frac{3}{4}$ Barbed fitting, not included.

All models:

1. Connect the potable water supply to the tubing at the bottom back of the unit. Water filters may be used but are not required. A hand shut off valve within sight of the machine is strongly recommended

Note that activated carbon or charcoal water filters are used for taste and odor problems but also take out any chlorine that the local water agency may have added for purification. That can require more frequent sanitization of the equipment.

2. Connect drain tubing to the central drain fitting at the back of the cabinet. Use $\frac{3}{4}$ inch tubing, use material to meet local codes. The drain basin in the machine will act as an internal vent, no additional vent should be required unless there is a very long horizontal run. Drain tubing must pitch down $\frac{1}{4}$ inch per foot to the building drain. Insulation of drain tubing is recommended for most environments.

HID207

User Manual

Installation: Electrical

1. Plug the unit into a dedicated 15 amp outlet. The unit must be the only device on the circuit.
2. Confirm the outlet is properly grounded and is in good condition.

Note: Worn or loose connection outlets should be replaced as they can cause erratic operation of equipment.

Do not use an extension cord.

Do not cut off the ground plug on the power cord.

Ground fault outlets are not recommended. If ground fault is required a ground fault breaker should be used.

3. Use the services of a licensed electrician when needed and conform to local and national codes.
4. Position the unit in its final location.
5. Level the unit front to back and left to right.

HID207

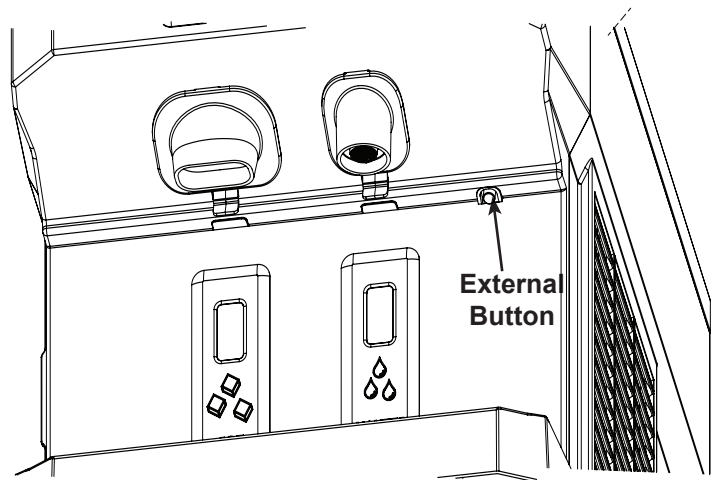
User Manual

Initial Start Up

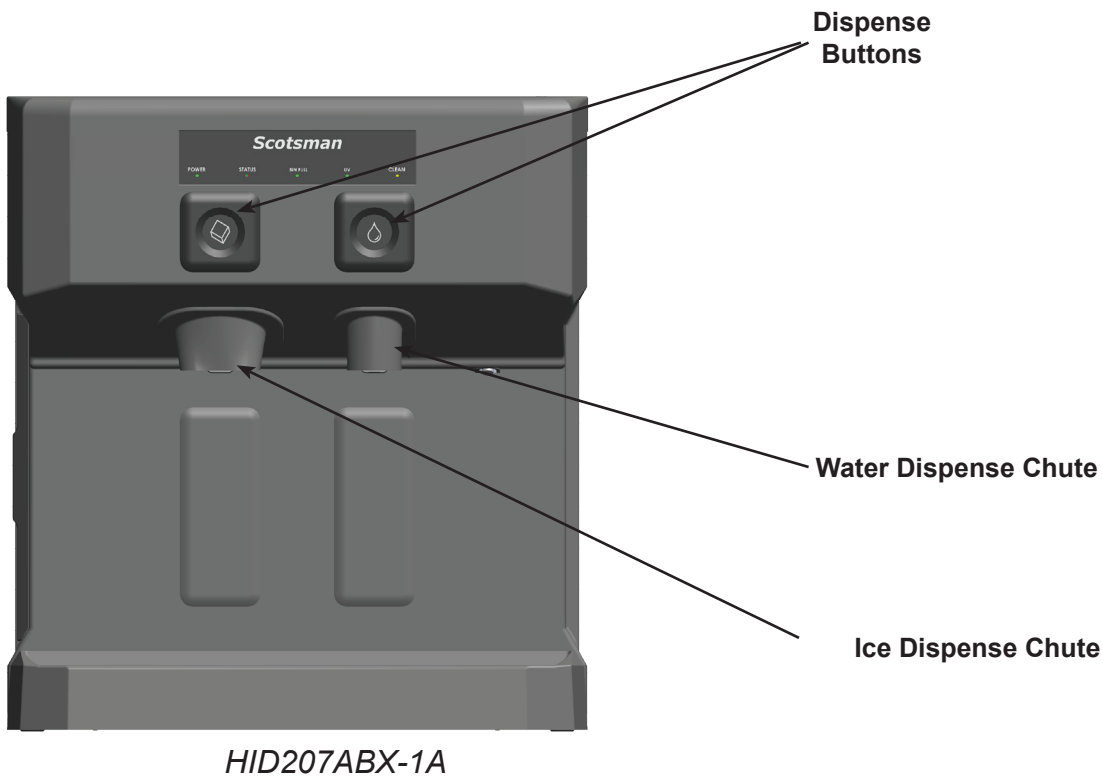
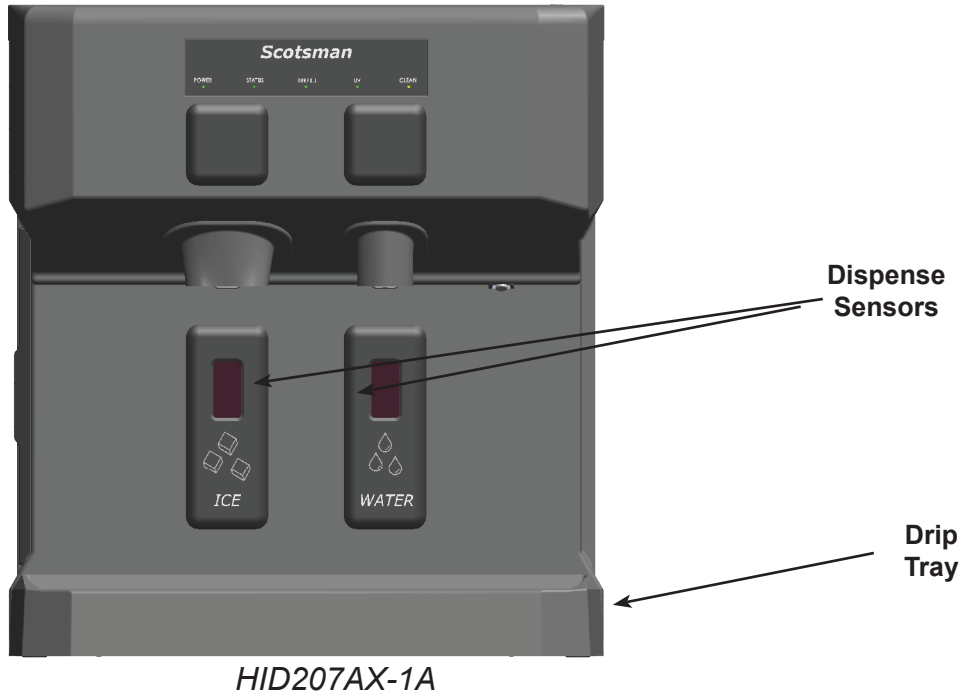
1. Remove panels: top and left side.
2. Turn water on, observe that water enters the water reservoir, fills and then shuts off. Check for leaks. Repair any leaks before going any further.
3. Plug in ice machine into it's own circuit; with no other appliances. On the Indicator Light Panel the Power light will show green.
4. Locate the External Button on the Splash Panel and hold down for 3 seconds. Then on the Indicator Light Panel, the Status light will show green and the ice making process will start. Warm air will blow out the right side.
8. Wait about a minute for the ice making process to finish, then unplug or disconnect electrical power.
9. Scoop out any ice in the bin and sanitize the interior of the ice storage bin by wiping it with a locally approved sanitizer or a mixture of 2 oz of NuCalgon and 1.25 gal of 95-115 degrees water, allow to air dry.
10. Reconnect electrical power.
11. Press and hold the External Button for 3 seconds to start the ice making process.
12. Replace all covers and panels.
13. Give the owner/user the user manual, instruct him/her in the operation and maintenance requirements of the unit. Make sure they know who to call for service.

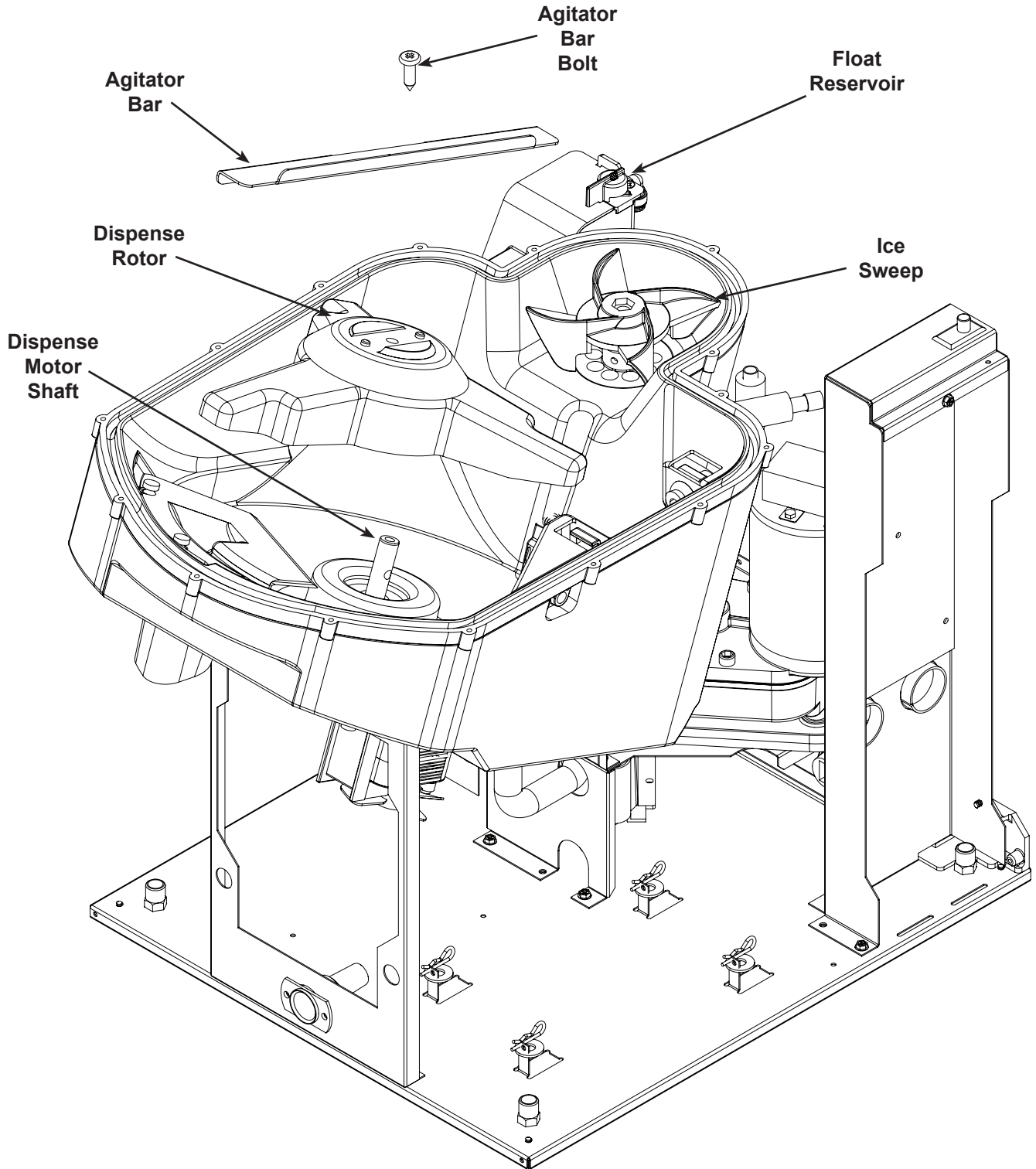
Note: If the ice making process doesn't start, remove the right side panel, remove the Control Box cover and check for any errors being displayed. See page 15 for details..

5. Within minutes ice will begin to fall into the dispensing bin. Check ice dispensing by holding a container in front of the Touch Free ice sensor (just below the ice delivery spout) or push the ice vend button on model HID207ABX. The ice dispense indicator light will glow and ice should flow from the spout when a container is present, and stop dispensing when the container is removed.
6. Check water dispensing by holding a container in front of the Touch Free water sensor or push the water dispense button on model HID207ABX. The water indicator will glow and water will flow when a container is present and stop when it is removed.
7. Press and hold the External Button for 3 seconds to stop the ice making process.
14. Have the customer fill out the Customer Evaluation and Warranty Registration form, and mail it in to Scotsman or register the unit at Scotsman's website (www.scotsman-ice.com) or scan the QR code behind Drip Tray.



HID207
User Manual
Component Location





HID207

User Manual

Operation: Ice and Water Vending

During ice making soft ice is compressed thru a die and then broken off into irregular lengths. It will not be clear and, because of melting, when dispensed it will not be uniform in size or shape.

Dispensing takes place when the Touch Free sensor's infrared beam bounces back to the sensor from a container placed directly in front of it or when the dispense button is pushed on model HID207ABX.

If the container is in front of the Touch Free sensor on the left side, the ice dispensing rotor will rotate and sweep ice over the ice dispensing chute. Ice will continue to discharge out this chute as long as the rotor is turning. It stops when the rotor stops.

If the user does not remove the container, ice will be dispensed for 24 seconds and then stop.

If the container is in front of the Touch Free sensor on the right side, the inlet water valve will open and water will flow into the container.

If the user does not remove the container water will be dispensed for 20 seconds and then stop.

Note: Water may dispense cloudy and then clear up in the glass. That is normal due to air in the water and is not an indicator of any malfunction.

Other notes:

- An occasional drip may be seen from the ice dispense chute. This is normal and is from ice melting inside the chute. A continuous stream of water from the ice chute indicates a restricted bin drain.
- Clear containers (glass or plastic) may not always activate the dispense sensors. Retry with an opaque container.

- The drip tray is not a sink and cannot tolerate garbage. Coffee and soda should not be discarded into it. Debris like stirring straws that are discarded into the drip tray will likely cause a drain back up and need to be removed as soon as they are found.
- Both dispensing and ice making are disabled when the unit is switched off at the controller.
- Dispensed water is not cooled.
- All models: A chute light is illuminated when ice or water dispense is activated.

Splash panel wipe-off

Wiping the splash panel could result in unintended dispensing. To avoid that, a disable button has been provided. It is recessed into the bottom of the chute panel. Push and release it to disable dispensing for 60 seconds.

Available Ice

The user can expect that, when the bin full light is on, about 7 pounds of ice is available for dispensing.

Noise

This is a commercial ice machine. It contains a powerful compressor, heavy duty gear reducer and a fan that moves a lot of air. It will produce some noise when it is making ice. Every effort was made during its design to minimize the sound level but some is unavoidable.

HID207

User Manual

Controller

All models use the same control system.

The electronic controller operates the compressor (with fan motor), auger drive motor, dispense drive motor and inlet water solenoid valve. It monitors:

- Reservoir water availability
- Storage bin ice level
- Auger amps
- Call for ice dispense
- Call for water dispense
- Dispense enable / disable
- Any installed control options

Many of these are used to insure that the machine does not damage itself during use. For example, it is critical that it not attempt to make ice without water, so if the water sensor is dry, the machine will not make ice.

Switches - there are five switches:

- **Dispense water** - to test water dispensing
- **Dispense ice** - to test ice dispensing
- **On/Off** - to switch the machine on or off. Holding it in to shut off will stop ice making immediately.
- **Clean** - to engage the clean mode
- **External Button**- Press and release will disable touch free sensor for 2 minutes, if equipped
 - » Press and hold for 3 seconds will turn unit off/on. If turning off, the auger will continue to run for a minute
 - » Press and hold for 6 seconds unit will immediately shut off without auger delay

Indicators - there are nine LEDs:

- **Power** - Glows when controller has power
- **Status** - Glows when in ice making mode
- **Time to Clean** - Glows when it is time to clean the machine

- **Water Dispense Sensed** - glows when the water dispense sensor has been triggered*
- **Ice Dispensed Sensed** - glows when the ice dispense sensor has been triggered*
- **Water Dispense** - glows when the inlet water solenoid valve has been powered*
- **Ice Dispense** - glows when the ice dispense motor has been powered*
- **Auger** - glows when the auger motor is on
- **Compressor** - glows when the compressor is on

* If blinking the water or ice dispensing time limit has been met.

There is also a code display, the codes are:

- 0* - - - for off
- F* - - - for ice making
- b* - - - for bin full
- E* - - - for controller error
- C* - - - for clean mode
- d* - - - for test mode
- 2* - - - for auger motor lockout current error
- 3* - - - for no water sensed

If a number code is triggered, the controller will stop ice making. A blinking code means it is a temporary condition. Example: A blinking *F* occurs during the ice making restart process; it stops blinking when the compressor starts.

The controller will automatically restart from a water interruption or power interruption or when a refrigerant pressure switch has automatically reset.

To reset the control when it has been manually locked out, Push and release the On/Off button to shut it Off and then Push and release it again to switch it On.

Note: The compressor will not restart for 4 minutes from the time it was shut off.

HID207

User Manual

Maintenance and Cleaning

There are five areas of maintenance:

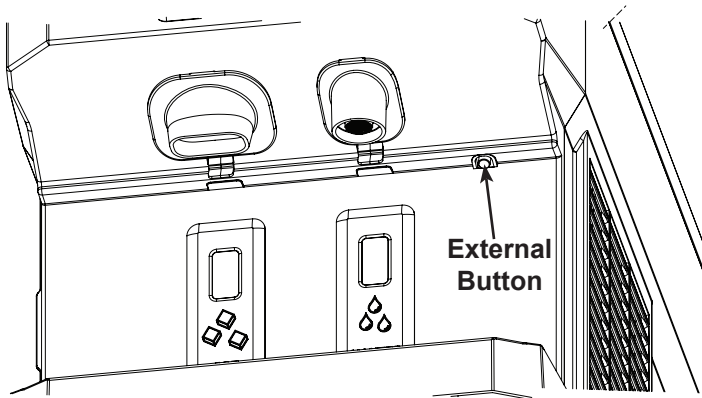
1. Drip tray, chutes and drain system
2. Air cooled condenser filter and condenser
3. Ice dispense bin and rotor
4. Photo eye ice level control
5. Ice making water system

Drip Tray

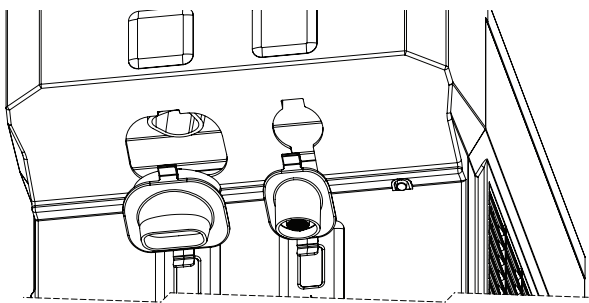
It is important to keep the drip tray clean of trash. Remove any as soon as it is noticed. Pour hot water into the tray on a regular basis to keep the drain open.

Over time the drip tray and cup rest may become coated with scale or dirt. It can be removed to be scrubbed at a wash sink.

1. Press and hold External Button for 3 seconds to stop ice making process.

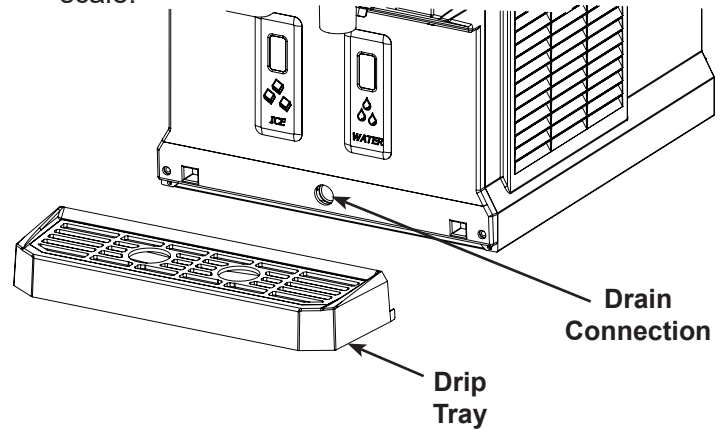


2. Un-snap dispense chutes and pull down to remove.



3. Pull the drip tray forward to disconnect it from the drain.

4. Plug the drain fitting with a cloth to keep it from leaking while the drip tray is being cleaned.
5. Wash out the drip tray and dispense chutes. Use ice machine scale remover if needed to dissolve scale.



6. Reverse to reassemble. Be sure drip tray is pushed back fully into place. Insert chutes until they snap into place.
7. Press and hold the External Button switch for 3 seconds to restart ice making process.

Note for External Button:

- Press and release will automatically stop vending and cease sensors, iff applicable.
- Press and hold for 3 seconds will turn on or off; allowing the auger a moment to finish the cycle.
- Press and hold for 6 seconds will immediately shut off the ice machine.

HID207

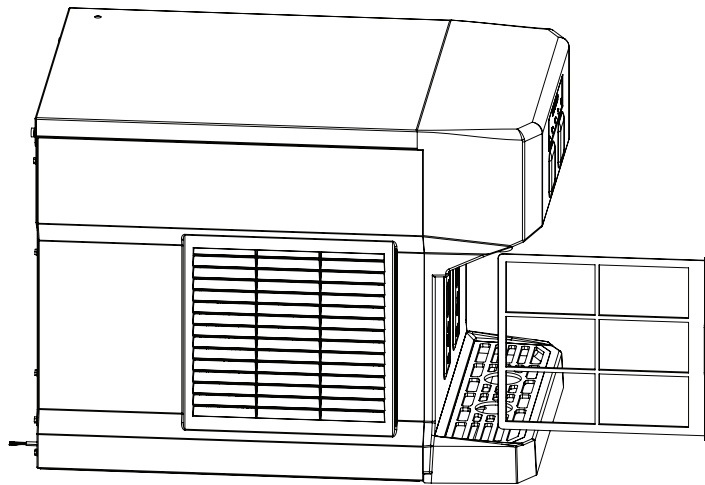
User Manual

Air filter

The air filter on the left side of the cabinet will capture significant dust and lint during operation. As the dirt builds up it begins to restrict air flow and causes the refrigeration system to work longer to make ice. Clean the air filter regularly.

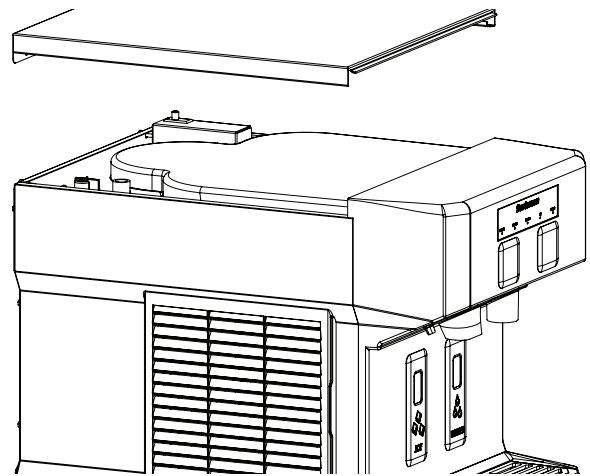
To remove, pull it forward from the louvers. Do not leave it out for extended periods of time.

To clean, wash it at a utility sink. Return it to the unit when clean.

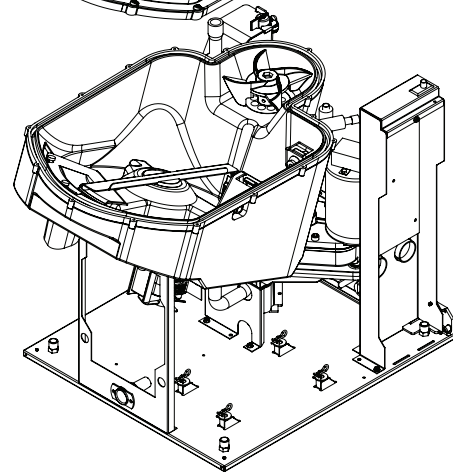
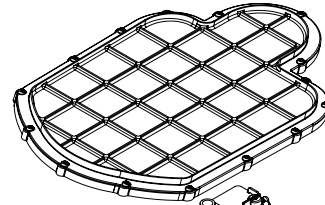
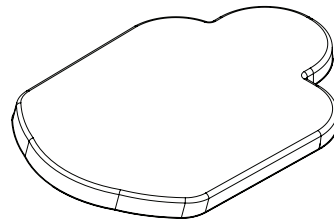


Condenser.

The condenser fins may need cleaning too. Remove the left side panel and brush any lint and dirt off the surface of the condenser. Vacuum any remaining dirt. Do not damage the fins of the condenser during cleaning.



Remove Top Panel



Remove Bin Cover

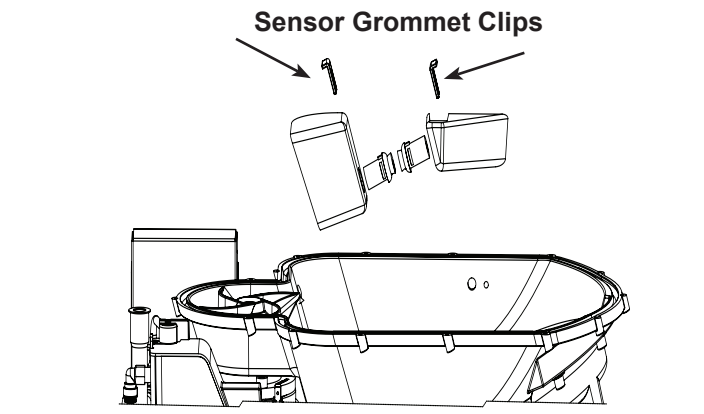
HID207

User Manual

Ice level controls

Clean if the controller indicates bin full and there is no ice between the sensors.

1. Shut machine off.
2. Remove top panel.
3. Remove splash panel.
4. Disconnect ice level controls at connector.
5. Remove 15 phillips head screws and ice storage bin cover.
6. Pull each sensor grommet clip up and off.
7. Push grommets out of bin top.
8. Pull each sensor out of its rubber grommet. Pull on the part closest to the grommet, not the wire.
9. Wipe the sensor lenses clean with a soft, clean cloth. Caution - do not scratch the lens. If there is mineral scale on the lens, ice machine scale remover will be needed to wipe them clean.
10. Return each sensor to a grommet, push it in until it snaps into place.
11. Reverse the rest of the steps to reassemble.



HID207

User Manual

Maintenance and Cleaning - Dispensing Bin Components

The ice storage bin and rotor must be cleaned and sanitized on a regular basis, at a minimum when the ice making system is cleaned. Hand tools and hand protection like rubber gloves are recommended for this procedure.

Note: Some steps overlap with the procedure on the next page. This procedure can be independent of the ice making system cleaning or can be part of it.

Bin Cleaning Procedure

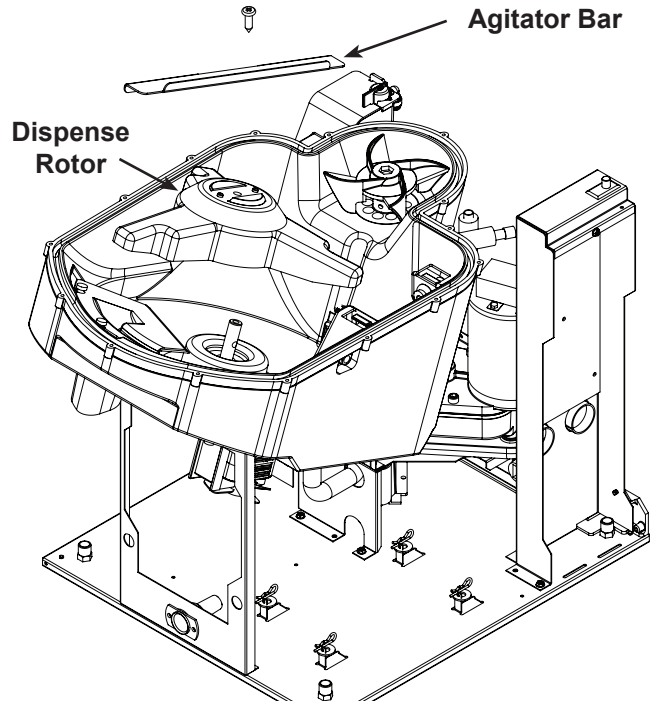
1. Vend or melt out all ice.
2. Unplug from electrical power.
3. Remove top panel
4. Remove splash panel.

CAUTION	
Moving parts hazard.	
Risk of personal injury.	
Disconnect electrical power before proceeding.	

Note: Slowly add only 16 oz or 1/2 liter water to the bin at a time, as excess water will drain out the spout.

5. Disconnect ice level control at harness.
6. Remove phillips head screws holding ice storage bin cover to ice storage bin, set aside.
7. Remove ice storage bin cover, set aside.
8. Remove bolt securing agitator bar and agitator bar, set aside.
9. Lift up and remove dispense rotor, set aside.
10. Mix a solution of ice machine scale remover, such as Scotsman Clear 1 and potable water per the directions supplied with the scale remover.

11. Use a clean cloth and wash all the interior surfaces of the bin and the bin cover, agitator bar, chute cover and dispense rotor with the ice machine scale remover solution. Rinse with clear water.



12. Mix a 2 gallon or 7.5 liter solution of locally approved sanitizer. A possible sanitizer solution could be a mixture of 4 oz/118ml of NuCalgon IMS and 2.5 gallons of warm (90°F/32°C to 110°F/43°C) potable water.
13. Use a new clean cloth and wash all the interior surfaces of the bin and the bin cover, agitator bar, and dispense rotor with the sanitizer solution.
14. See page 20 to continue with cleaning steps.

HID207

User Manual

Ice Making and Ice Dispensing System Cleaning Instructions

Hand tools, cleaning supplies and hand protection are recommended for this procedure.

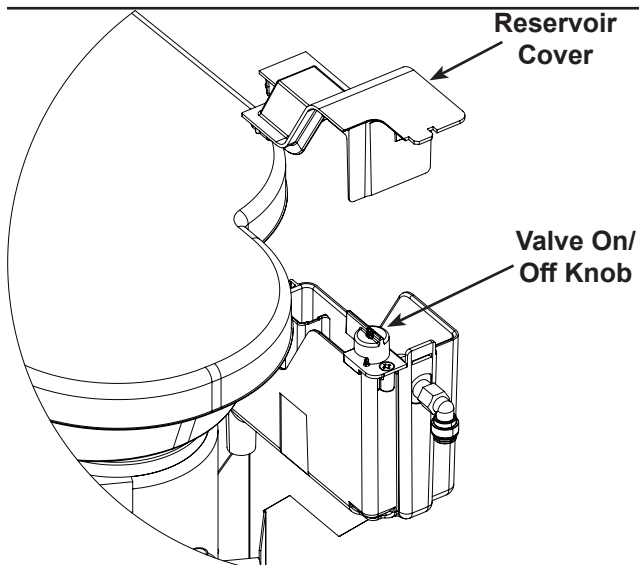
Frequency: Recommended minimum time between cleanings is 6 months. To aid in determining if the machine has not been cleaned in 6 months, a Time To Clean light will glow after 6 months of power up time. Cleaning the machine with the following process will reset that light and the timer that controls it. More frequent cleanings may be required based on the mineral content of the water, run time and potential airborne contamination.

1. Remove the top panel for reservoir access.

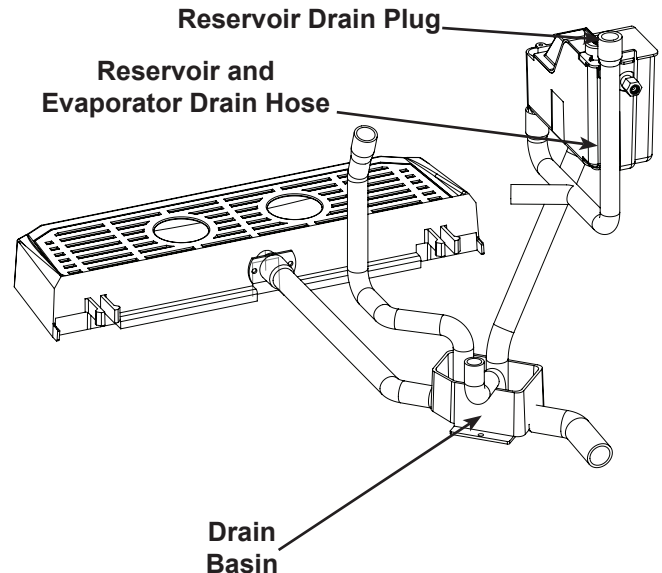
Note: If the unit must be pulled out to remove the panel and access the water reservoir, be sure that the water supply, drain and power remain connected

2. Dispense and discard all of the ice.
3. Remove all panels for control access.
4. Remove control box cover.
5. Press and hold the Off button until the machine shuts off.
6. Locate float valve on/off knob. Rotate to shut water supply OFF.
7. Push tab on front edge of reservoir cover and remove the cover.


Note: Adjacent wires are low voltage and are not hazardous.



8. Locate reservoir drain and pull its drain plug out to drain the reservoir and evaporator. When draining is complete, return the plug to its original position.

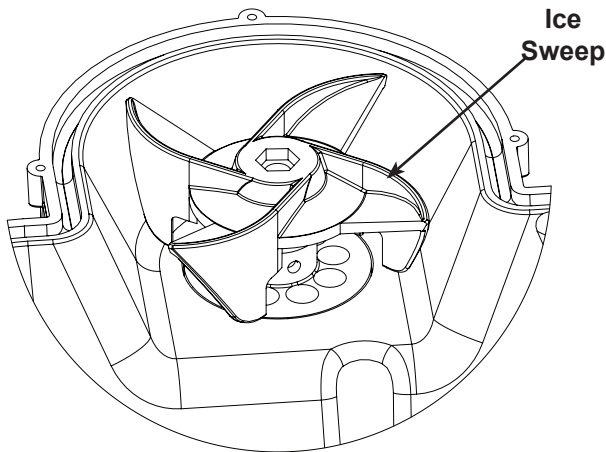


9. Mix a solution of Clear 1 scale remover with water: 2.5 ounces of Clear 1 with 1 quart (32 oz) of warm (90°F/32°C to 110°F/43°C) potable water.

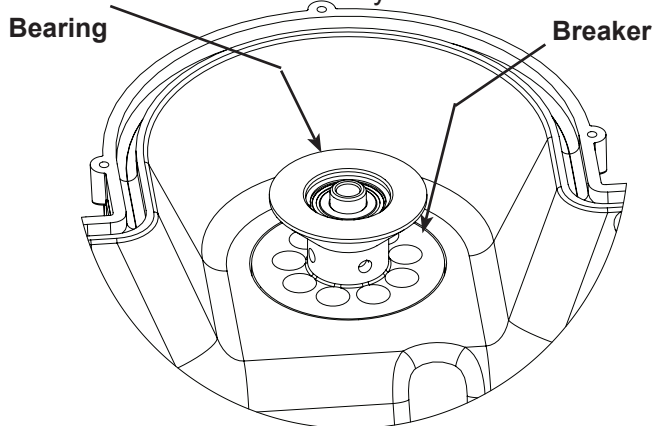
 CAUTION	Scotsman Ice Machine Cleaner contains acids. These compounds may cause burns.
	If swallowed, DO NOT induce vomiting. Give large amounts of water or milk. Call Physician immediately. In case of external contact, flush with water. KEEP OUT OF THE REACH OF CHILDREN

Note: Take care not to spill any scale remover on any nearby surface. Immediately wipe any spill with baking soda and water.

10. Fill the reservoir with the scale remover solution. That will be about 8 ounces.
11. Unscrew (rotate CCW) and remove the ice sweep.



12. This is a greaseless bearing. Black oxidation may be present which is normal; check for any and wipe away. Inspect the bearing seal for wear and rust. Call for service if any is found.



13. Wash the ice sweep and lower part of the breaker with the scale remover solution. Remove as much scale as possible.

<p>CAUTION</p>	
<p>Moving parts hazard. Risk of personal injury.</p>	

Caution: Be SURE no scale remover contacts the bearing.

14. Return the ice sweep to its original position.

15. Press and HOLD the both the On and Off buttons for 5 seconds. The Time to Clean light will blink on and off.

16. After 40 minutes (20 of no ice making and 20 making ice) the ice machine and all the control panel lights will shut off.

17. After ice making starts, continuously add scale remover solution to the reservoir to keep it about half full.

18. When all remaining solution is used, rotate the float valve knob to the ON position. Ice will continue to be made.

19. Rotate float valve lever to Off and pull the drain plug again to drain the system, then replace it.

20. Pour a gallon of hot (95°F. – 115°F.) water into the ice storage bin to flush out the drain and melt all ice that was made during the cleaning process. Be sure all ice is melted.

Note: Only add 16 oz or 1/2 liter water to the bin at a time, as excess water will drain out the spout.

21. Rotate float valve knob to the ON position.

22. Push and release the On button to restart ice making.

23. Operate the machine for 15 minutes and then pour water onto the ice in the bin until it has all been melted.

Note: Only add 16 oz or 1/2 liter water to the bin at a time, as excess water will drain out the spout.

24. Rotate the float valve knob to the off position.

25. Locate reservoir drain and pull its drain plug out to drain the reservoir and evaporator. When draining is complete, return the plug to its original position.

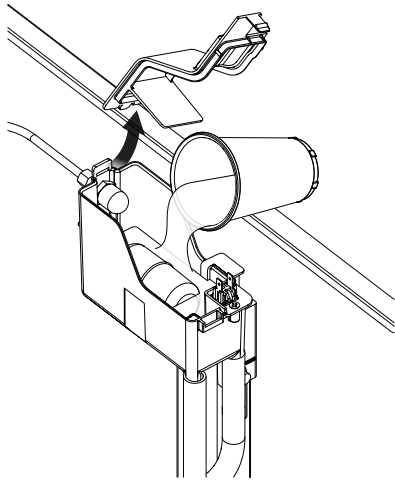
26. Rotate the float valve to the ON position and allow the reservoir to fill up with water. Cleaning out any traces left of scale remover.

27. Once the reservoir is full, rotate the float valve to the off position and pull its drain plug out to drain the reservoir and evaporator. When draining is complete, return the plug to its original position.

28. To continue, see the Sanitizing section for next steps.

Perform after scale removal to complete the Water System Cleaning process.

1. Create a solution of sanitizer.
2. Mix 4 oz/118ml of NuCalgon IMS and 2.5 gal/9.5L of (90°F/32°C to 110°F/43°C) potable water to create a 200 ppm solution.
3. Rotate the reservoir's water shut off knob to shut the water supply OFF. If water reservoir cover has been placed on reservoir, remove it.



4. Pour the sanitizing solution into the reservoir until it is full to but not over the overflow point (about 8 oz) and wait 2 minutes.
5. Press the On button to turn the ice machine ON.

CAUTION Moving parts hazard. Risk of personal injury.	A black silhouette of a hand reaching towards a rotating gear. The gear has a curved arrow around it, indicating rotation. This icon is used to warn of moving parts hazards.
--------------------------------------------------------------------	-------------------------------------------------------------------------------------------------------------------------------------------------------------------------------

6. Operate the machine for at least 15 minutes, adding sanitizer to the reservoir as needed to keep it at least half full, and then push and release the Off button to shut it OFF.
7. Remove the ice sweep.

8. Wash the reservoir cover, ice sweep, breaker and the inside of the ice chute with the sanitizer solution.

Caution: Do not allow sanitizer to contact the bearing.

9. Return the ice sweep and reservoir cover to their normal positions.
10. Drain the solution from the system by pulling the reservoir's drain plug.
11. Return plug when drained.
12. Rinse bin liner with clean water. Be sure all ice has been melted.

Note: Only add 16 oz or 1/2 liter water to the bin at a time, as excess water will drain out the spout.

13. Remove agitator bar and dispense rotor.
14. Remove ice and water dispense chutes.
15. Thoroughly wash dispense chutes agitator bar, dispense rotor and all bin interior surface areas including bin cover and any other areas that may contact the ice with the sanitizer solution.
16. Rinse with clean water.
17. Return dispense chutes, agitator bar and dispense rotor to their original positions.
18. Rotate water shut off knob to turn the water supply ON.
19. Push and release the On button to restart ice making.
20. Return the dispense bin cover to the machine and secure with the original screws.
21. Return all panels to their normal positions and secure with the original screws.

HID207

User Manual

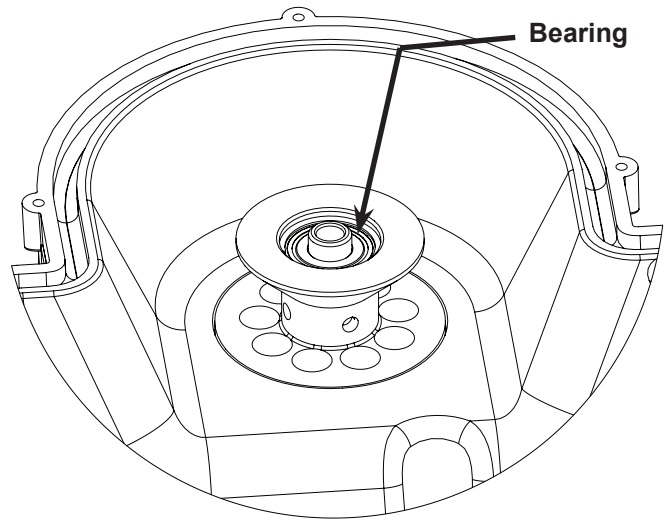
Other Maintenance

The auger in the ice making system is centered by bearings at the top and bottom. It is also sealed from leaking by a water seal at the bottom.

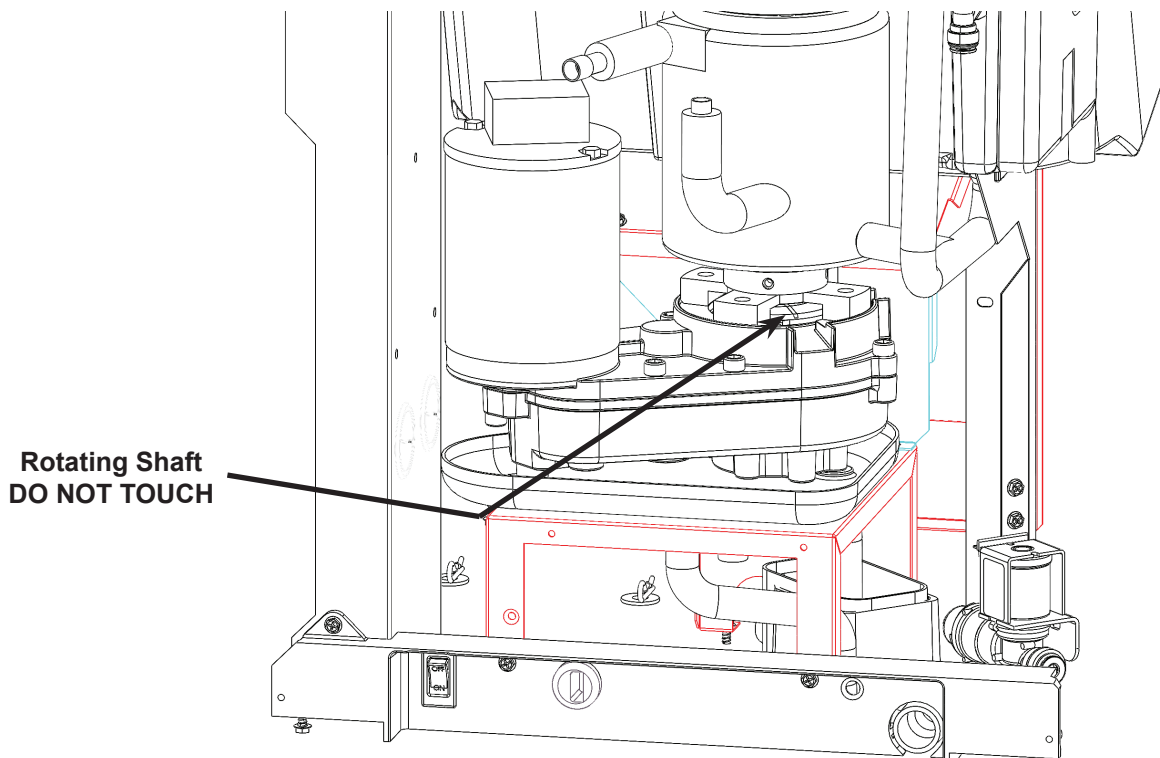
The bearings are permanently lubricated and need no maintenance. They can be visually checked for obvious wear or damage but there is no need to add lubrication.

Auger motor bearings and the gear reducer are also permanently lubricated and need no maintenance.

The bottom of the ice making system should be checked for water leaks. Water draining from the bottom is an indication of a water seal leak. Immediate repair is required when a water seal leak is discovered.



⚠ CAUTION	
Moving parts hazard.	
Risk of personal injury.	
Do NOT touch the rotating shaft at any time.	



HID207

User Manual

Before Calling For Service

No ice, status light OFF, power light ON – check water supply. Restore water supply to unit if shut off. Remove front panel and check water indicator light, if ON, the unit is not sensing water.

Note: Unit will automatically restart when the water supply is restored.

Note: Unit will NOT operate if connected to an ultra pure water supply. Conductivity must be above the listed limit (see page 3).

No ice – check power supply. If there are no lights on the control panel there is no power to the controller. Confirm unit is plugged into a working outlet of the correct voltage.

Note: Unit will automatically restart when power is restored. If unit has NOT been in operation, the on-off button must be pressed to start operation.

No ice, bin full light ON - check for false bin full caused by mineral scale on the optical sensors, located at the top of the ice chute. Status light green with no ice being made is a sign of false bin full.

Carefully clean the optical sensors of accumulated scale. Do not scrape with a sharp object.

No ice dispensed, bin full light ON, bin is full and ice dispense light is ON when container is present at ice station. Call for service.

No water dispensed, power light ON, water dispense light ON when container present at water station. Check water supply and water filter if used for restriction. Restore water pressure.

Slow production – check condenser for dirt, clean condenser.

Slow production – check temperature of cabinet, if the room is hot or air flow restricted, production will be slow.

All indicator lights are blinking: Call for service.

Drip Tray Not Draining:

- Remove the cup holder, then check the filter beneath that, and remove any debris around the filter.
- If water starts to flow down return filter and cup holder to their positions.
- If water is still not draining, gently inserting a bottle brush in to the Drain Connection using a back and forth motion, until drainage issue is cleared.
- Gently pour sanitizer* solution directly in to the Drip Tray in order thoroughly sanitize the drain system.

Note: To prevent future clogs be sure to sanitize the Drip Tray regularly and ensure to pour only water in to the Drip Tray (ie. no coffee, soda, etc.)

*Sanitizer- Mix a 1 gallon of locally approved sanitizer (such as NuCalgon) and slowly pour in to the Drain Connection to help prevent future drainage issues. Certain environments may require more frequent sanitizing.

HID207

User Manual

For The Service Tech - R290

Refrigeration service should only be attempted by a trained trade professional certified to work on R290 systems.

Here are some critical service items.

This list does not qualify anyone to service the unit. It is a reminder and checklist for the service tech. Keep these in mind for **R290 service**:

- Wire nuts are NOT to be used when changing an electrical part.
- The process tubes are to be used for service access.
- Cut out (with tubing cutter) refrigeration components that are to be replaced. Do NOT un-braze.
- Because R290 can be vented into the air during service, the venting MUST be in an area free from flame or spark. It must be near an open window or door.
- A sign noting service of a system containing propane must be attached to the unit during refrigeration service.
- A combustible gas leak detector must be used to inform anyone in the area when propane is

present in the air.

Other Information:

Evacuation: It is critical that a refrigeration system be leak free and internally dry. A thorough evacuation with a good vacuum pump with a micron gauge attached is the only way to ensure that the system is dry and ready for a charge of refrigerant.

Charging: The system is critically charged and the proper type and amount MUST be weighed in.

HID207

User Manual

Decommissioning

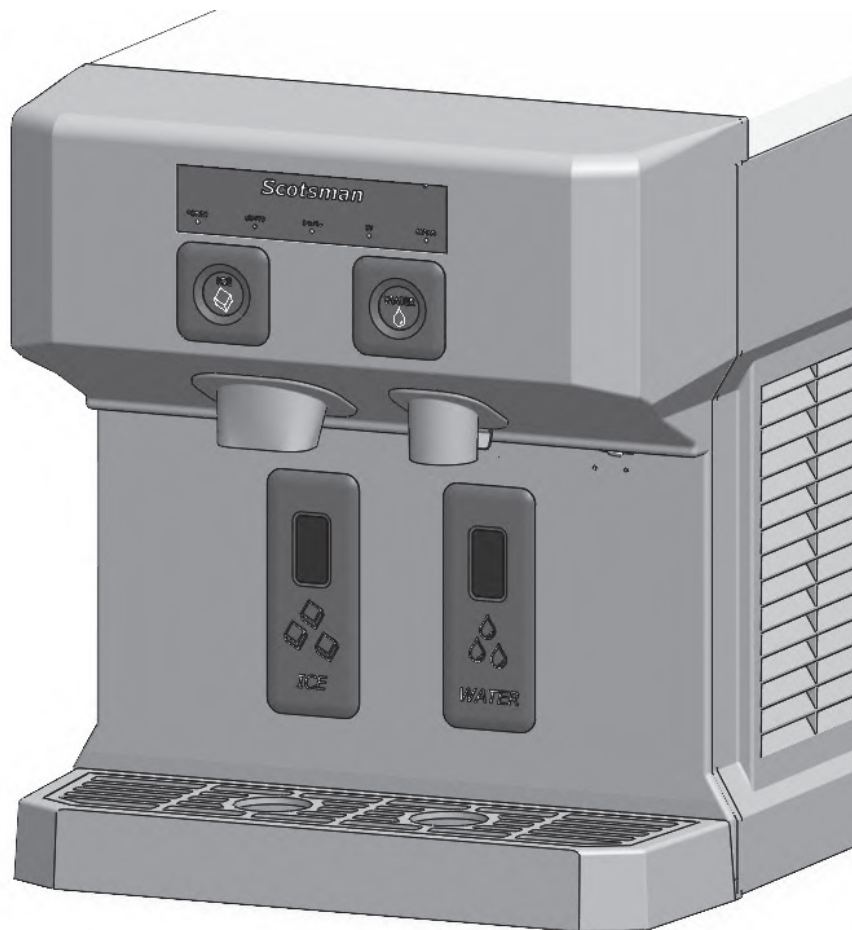
Only use a qualified technician who is familiar with R290 refrigerant for decommissioning as special tools and containers are required for removal, transportation, and disposal of highly flammable propane.

Utilize good operating practices to maintain safety are advised and follow local, state, and federal guidelines for proper disposal.

- Before attempting the procedure ensure that all necessary tools and mechanical equipment are available.
- All protective gear is to be used the whole time and have recovery equipment and cylinders readily available.
- All containers used for recovery must have proper labels showing they can be used for R290 refrigerant.
- Before starting refrigerant recovery, place refrigerants on scales. Do not over fill containers more than 80% of volume and do not exceed working pressure of container.
- Before using recovery machine, make sure it is in satisfactory working order and that electrical components are properly sealed to prevent any type of ignition.
- Recovered refrigerant shall not be charged into another refrigerating system or mixed to another container.
- When moving refrigerant from a system use good practice; that all refrigerants are removed safely.
- All recovered refrigerant must be returned to refrigerant supplier for proper disposal.
- If compressor or compressor oils are removed ensure it has been removed to an acceptable level so the flammable refrigerant does not remain in the lubricant.



Manual de instalación y del usuario para el modelo
de máquina de hacer hielo-dispensador
HID207



Información de seguridad importante. Asegúrese de leer completamente para evitar lesiones graves o la muerte.



- Esta máquina de hacer hielo contiene refrigerante **INFLAMABLE** y presenta riesgo de incendio o explosión. No use cigarrillos, vaporizadores, teléfonos celulares, cerca de tuberías o cables, ya que puede ser una fuente de ignición o chispas.



- La máquina de hacer hielo no se debe instalar junto a equipos con fuentes de ignición abiertas (como llamas abiertas, un artefacto a gas en funcionamiento o un calentador eléctrico).



- Tome precauciones y no instale cerca de nada que vibre continuamente, para evitar las vibraciones o pulsaciones excesivas.



- Asegúrese de instalarla en un entorno bien ventilado y de que las ventilaciones y salidas no estén obstruidas.



- Fije correctamente el cableado eléctrico de modo que no esté sometido a desgaste ni vibraciones.

- Mantenga un extintor de incendios a la mano en caso de emergencias.



- **ADVERTENCIA:** Cáncer y daños reproductivos. Visite www.P63Warnings.ca.gov para conocer detalles.
- Use un técnico recomendado por Scotsman, certificado para reparar equipos R290.
- SOLO use piezas de servicio de la fábrica de Scotsman El uso de piezas que no sean de OEM puede ser peligroso debido a los cambios de diseño necesarios para usar R290 de manera segura.

HID207

Manual del usuario

Especificaciones

La máquina de hacer hielo-dispensador está diseñada para instalarse en interiores, dentro de un entorno controlado. Aunque puede funcionar en una amplia gama de temperaturas de aire y agua, puede proporcionar el mejor rendimiento si no se somete a niveles extremos.

Limitaciones de temperatura del aire

- Máximo: 38 °C o 100 °F
- Mínimo: 10 °C o 50 °F

Limitaciones de temperatura del agua

- Máximo: 38 °C o 100 °F
- Mínimo: 4.4 °C o 40 °F

Presión del agua, potable

- Máximo: 5.5 bar u 80 PSI
- Mínimo: 1.3 bar o 20 PSI

Conductividad del agua:

- Mínimo: 10 µS/cm

Se puede proporcionar agua obtenida por ósmosis inversa al sistema de agua potable, pero si tiene menos que la conductividad mencionada arriba, el sensor de nivel de agua no detectará el agua y la unidad no producirá hielo.

El agua desionizada no funcionará y no se recomienda.

Voltaje - 60 Hz

- Máximo: 126 Mínimo: 104

Hacer funcionar la máquina fuera de cualquiera de las limitaciones mencionadas arriba se considera uso indebido y ningún daño resultante está cubierto por la garantía y podría causar una pérdida completa de la cobertura de la garantía.

Información de garantía

La declaración de garantía para este producto viene separada de este manual. Consúltela para obtener información sobre la cobertura aplicable. En términos generales, la garantía cubre los defectos de materiales o mano de obra. No cubre el mantenimiento, las correcciones de las instalaciones o las situaciones en que la máquina esté funcionando en circunstancias que superan las limitaciones impresas anteriormente.

Este es un modelo comercial; si se instala en una residencia, es posible que algunas empresas de servicio comercial no puedan realizarle servicio en el lugar.

Información del producto

El producto es una máquina de hacer hielo-dispensador. Está diseñado para instalarlo en una encimera o en un soporte de máquina específico.

- Todos los modelos requieren un drenaje. Una cuenca de drenaje interna separa el drenaje del recipiente de almacenamiento del hielo del drenaje de la bandeja de goteo.
- Es posible que los códigos de plomería exijan un dispositivo de prevención de contraflujo, aunque el contraflujo se previene con el flotador incluido y el diseño del depósito.
- Cuenta con un cable de alimentación de 2.3 m (7.5') con enchufe NEMA 5-15P.
- El flujo de aire es de izquierda a derecha y se incluye un filtro de aire que se puede limpiar.
- Las patas de 10 cm (4") son opcionales para los modelos de encimera. Tamaño de rosca de 3/8-16.
- El dispensado de hielo o agua se activa con sensores sin contacto o botones, según el modelo.
- Para conocer las opciones y kits disponibles, consulte la documentación de venta.

Los sistemas de fabricación de hielo de Scotsman están diseñados y fabricados con las más altas consideraciones de seguridad y rendimiento.

Scotsman no asume responsabilidad de ningún tipo por productos fabricados por Scotsman que han sido alterados de cualquier manera, en que se incluye el uso de piezas u otros componentes que no estén específicamente aprobados por Scotsman.

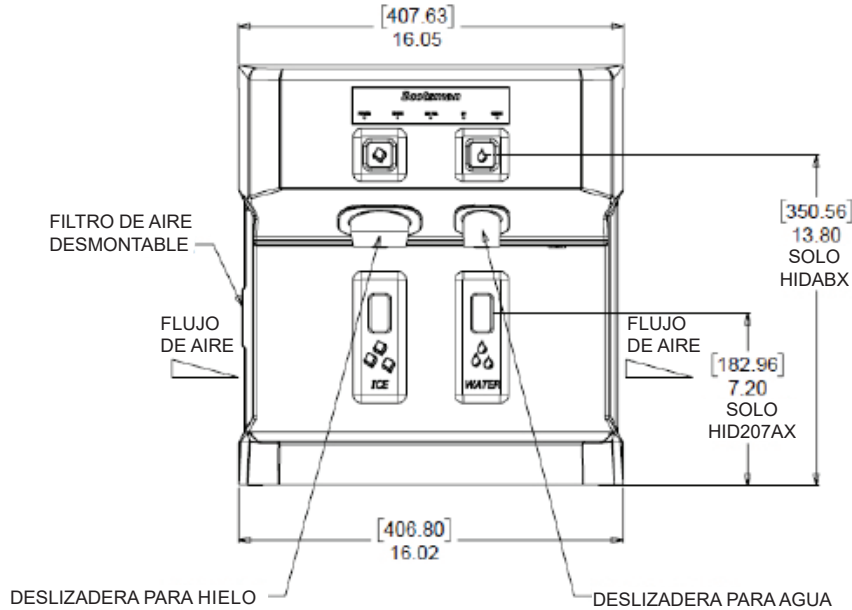
Scotsman se reserva el derecho a realizar mejoras o cambios en el diseño en cualquier momento. Las especificaciones y el diseño están sujetos a cambios sin previo aviso.

HID207

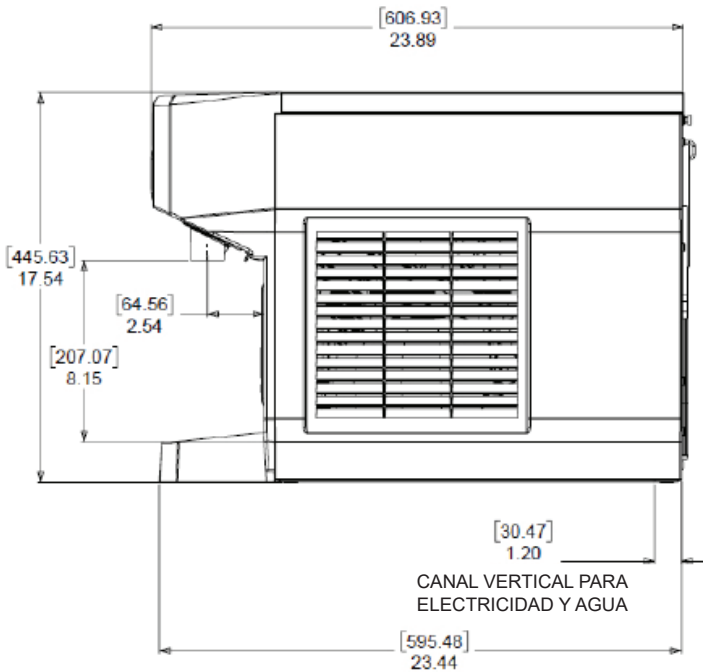
Manual del usuario

Plano del gabinete de HID207

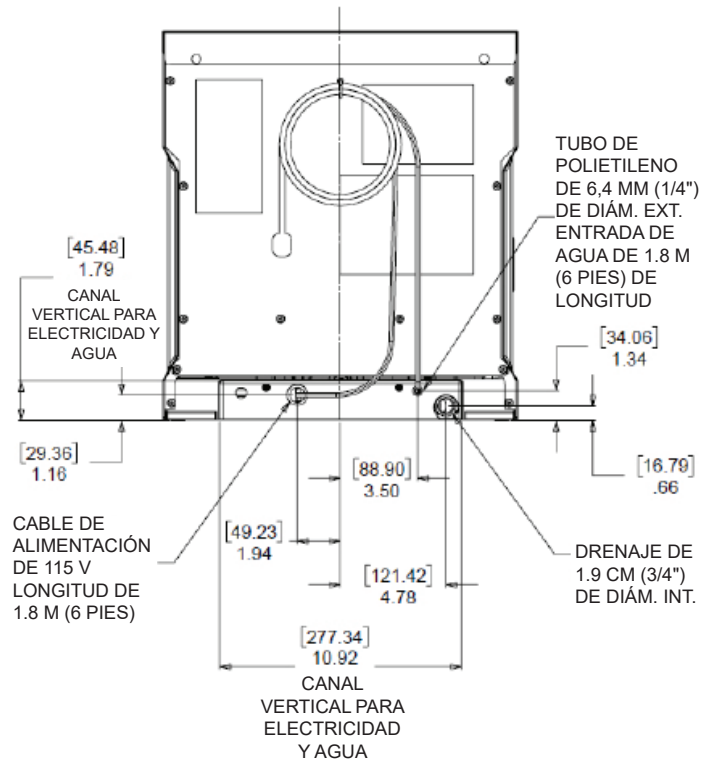
VISTA DELANTERA



VISTA LATERAL DERECHA



VISTA POSTERIOR



HID207

Manual del usuario

Panel de luces indicadoras de HID207

La parte delantera del HID207 incluye un panel de luces indicadoras que informa a los usuarios sobre diversos datos importantes de operación:



Power (Energía): Cuando esta luz está ENCENDIDA, indica que hay energía conectada a la máquina.

Status (Estado): Esta luz brilla cuando la máquina está produciendo hielo.

Bin Full (Recipiente lleno): Cuando esta luz está ENCENDIDA, el recipiente de almacenamiento de hielo está lleno de hielo y la máquina ya no está produciendo hielo o está en proceso de dejar de hacer hielo.

UV: La HID207 incluye una luz de desinfección de agua ultravioleta. Esta luz indicadora le permite al usuario saber cuándo se debe reemplazar el módulo UV.

Clean (Limpiar): La luz Clean informa al usuario que no se ha completado la limpieza regular de esta unidad.

HID207

Manual del usuario

Ubicación

La ubicación del equipo se debe seleccionar con cuidado. Se debe tener consideración para dejar espacios adecuados en los costados para que respiren estos modelos enfriados por aire.

Espacios mínimos:

- 15 cm o 6" en cada lado
- 5 cm o 2" por arriba, 25 cm o 10" más para permitir el retiro del tornillo sinfín cuando el techo es fijo.
- 15 cm o 6" en la parte de atrás.

Dirección del flujo de aire

El aire fluye de izquierda a derecha. Más espacio que el mínimo en los costados maximizará el rendimiento.

El tomacorriente debe estar ubicado dentro de la longitud del cable de alimentación que se incluye. Si se coloca en una encimera, esta debe ser lo suficientemente resistente para soportar el peso de la unidad. Se debe dejar espacio sobre el gabinete para realizar servicio y mantenimiento. Si se usarán las patas, se debe dejar espacio para la altura total del gabinete.

La ubicación en una sala pequeña requerirá ventilación para el escape del calor que produce. También el ventilador produce algo de ruido. Las áreas sensibles al ruido deberían considerar ubicar la máquina donde el ruido de la producción de hielo no sea inaceptable.

Los emisores infrarrojos cercanos o una ventana que permita que la luz solar destelle en un sensor de dispensado (solo en el modelo HID207AX) pueden causar que la unidad dispense agua o hielo sin un recipiente que lo active.

Información de modelo

Modelo	Voltaje voltios/Hz/fase	Dimensiones an x p x al (cm [pulg.])	MCA	Tipo de condensador	Refrigerante (R-290)	Activación de dispensado
HID207AX-1A	115/60/1	61.6 x 68.9 x 105.4 (16.05 x 17.53 x 23.78)	11.8	Aire forzado	89 ml (3 oz)	Célula fotoeléctrica
HID207ABX-1A	115/60/1	61.6 x 68.9 x 105.4 (16.05 x 17.53 x 23.78)	11.8	Aire forzado	89 ml (3 oz)	Botón

Aplicaciones en cafeterías.

Nota: Aplicación limitada debido a su capacidad pequeña.

La unidad se puede colocar en una línea de cafetería para el hielo y agua. Ya que algunos usuarios a veces dispensan demasiado hielo, es posible que el uso de alto volumen requiera que se limpie ocasionalmente el hielo derramado en la bandeja de goteo.

Precaución:

Se debe tener cuidado cuando mueva o realice mantenimiento a la unidad. El refrigerante está contenido en un sistema sellado, pero puede ser inflamable si se libera.

HID207

Manual del usuario

Instalaciones en encimera

Las unidades colocadas en una encimera deben usar patas o estar selladas a la parte superior de la encimera conforme a los códigos locales. Para evitar afectar el sello, complete la instalación antes de sellar.

Nota: Selle el chasis a la encimera, NO selle la bandeja de goteo

Patas

Las patas de 10 cm (4") son opcionales para aplicaciones en encimera (Número de pieza: KLP24A). Para fijar firmemente las patas, se deben quitar las bases de goma. No se deben usar en el dispensador HID cuando se coloca en un soporte de máquina.

Nota: Solo use patas de una altura mínima de 10 cm (4")

Instalación

La bandeja de goteo y el apoyavasos se envían instalados, pero se pueden retirar fácilmente. Es una buena idea retirar el panel delantero e inspeccionar si hay piezas sueltas o que se froten antes de la instalación.

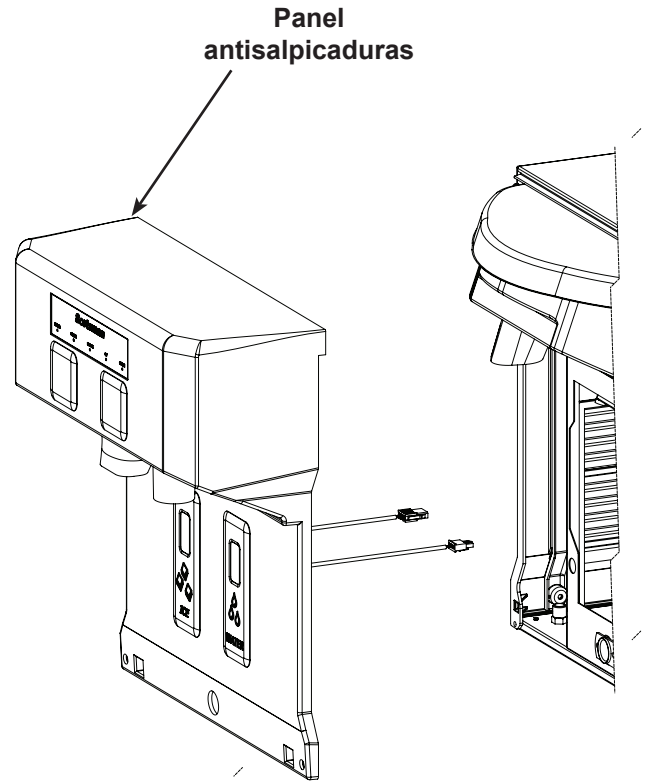
Retiro del panel antisalpicaduras

1. Jale la bandeja de goteo para sacarla de la unidad.
2. Retire el panel superior.
3. Gire la parte inferior del panel hacia adelante, desconecte los conectores del sensor o interruptor y separe el panel de la unidad.
4. Retire los tornillos en la parte superior e inferior del panel delantero.
5. Jale las palancas en la parte trasera de la deslizadera para desenganchar las deslizaderas de dispensado de agua y hielo y sacarlas del panel.
6. Levante el panel antisalpicaduras y quítelo de la unidad.
7. Inspeccione si hay piezas sueltas o que se froten. Corrija según sea necesario.
8. Devuelva el panel antisalpicaduras a su posición original y fíjelo con sus tornillos.
9. Regrese la bandeja de goteo a su posición original.

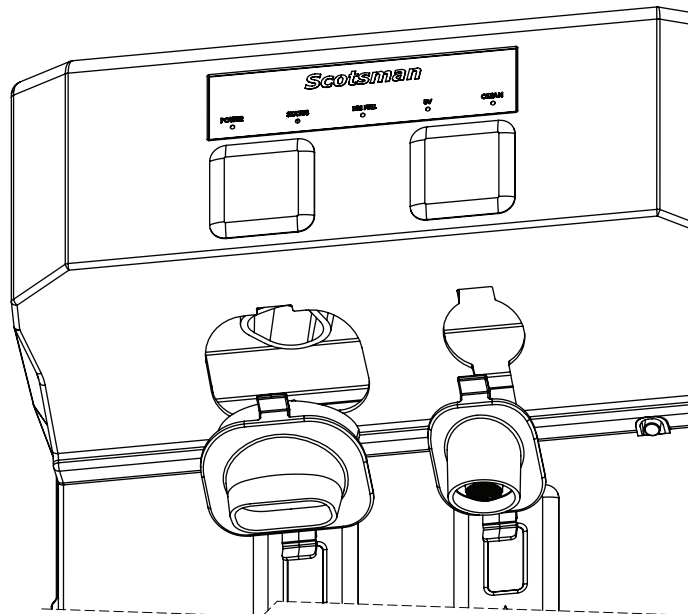
Inspección previa al arranque

1. Nivele el gabinete de adelante hacia atrás y de izquierda a derecha.
2. Confirme que no haya piezas sueltas ni que se froten.

3. Regrese el panel antisalpicaduras y las deslizaderas a la unidad.



Se muestra HID207AX, HID207ABX es similar



HID207

Manual del usuario

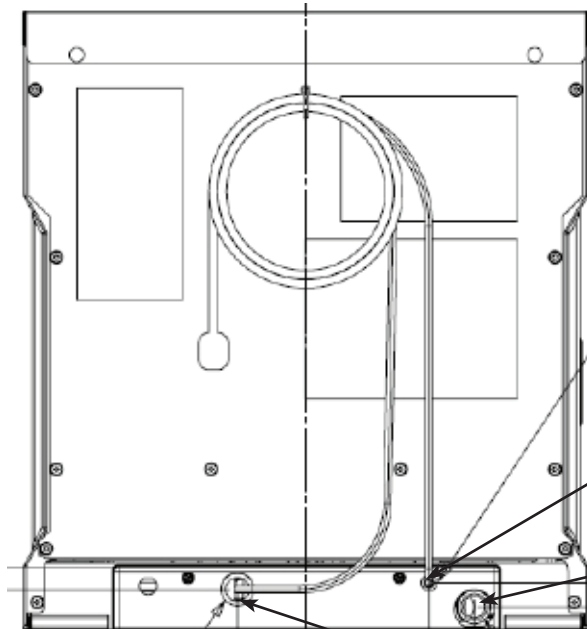
Instalación de agua y drenaje

Un instalador de máquinas de hacer hielo con experiencia debería realizar la instalación. Para encontrar uno, llame al número en la parte posterior de este manual o visite el sitio web de Scotsman www.scotsman-ice.com para identificar un distribuidor local o empresa de servicio.

La máquina requerirá energía, agua y drenaje. Ubique la conexión del suministro de agua en la parte inferior trasera del gabinete y consiga la conexión correcta para conectar el suministro de agua.

Conexiones de plomería:

- Conexión de agua potable: Tubo de polietileno de 6.4 mm (1/4") de diám. ext. x 1.8 m (6 pies) de largo



- Conexión de drenaje del gabinete: Tubo de 1.9 cm (3/4") de diám. int. para aceptar una conexión dentada de 1.9 cm (3/4"), no incluida.

Todos los modelos:

1. Conecte el suministro de agua potable al tubo en la parte posterior de la unidad. Se pueden usar filtros de agua, pero no son obligatorios. Se recomienda el uso de una válvula de cierre manual cerca de la máquina

Tenga en cuenta que los filtros de agua de carbón activado o carbón se usan para problemas de sabor y olor, pero también quitan el cloro que la agencia de agua local puede haber agregado para la purificación. Esto puede exigir una desinfección más frecuente del equipo.

2. Conecte el tubo de drenaje a la conexión de drenaje central en la parte posterior del gabinete. Use un tubo de 1.9 cm (3/4"), use un material que cumpla los códigos locales. La cuenca de drenaje en la máquina actuará como una ventilación interna; no se debería requerir ventilación adicional, a menos que haya un tendido horizontal muy largo. El tubo de drenaje se debe inclinar 6.4 mm (1/4 pulg.) por 30.5 cm (un pie) hasta el drenaje del edificio. Se recomienda el aislamiento del tubo de drenaje para la mayoría de los ambientes.

Conexión de agua potable

Tubo de drenaje

Cable de alimentación

HID207

Manual del usuario

Instalación: Especificaciones eléctricas

1. Enchufe la unidad en un tomacorriente de 15 A dedicado. La unidad debe ser el único dispositivo en el circuito.
2. Confirme que el tomacorriente esté correctamente conectado a tierra y esté en buenas condiciones.

Nota: Los tomacorrientes desgastados o con conexiones sueltas se deben reemplazar, ya que pueden causar el funcionamiento errático del equipo.

No use un cable de extensión.

No corte la clavija de conexión a tierra del cable de alimentación.

No se recomiendan los tomacorrientes con protección contra fallas a tierra. Si se requiere una protección contra fallas a tierra, se debe usar un disyuntor con protección contra fallas a tierra.

3. Use los servicios de un electricista con licencia cuando sea necesario y cumpla los códigos locales y nacionales.
4. Coloque la unidad en su ubicación final.
5. Nivele la unidad de adelante hacia atrás y de izquierda a derecha.

HID207

Manual del usuario

Encendido inicial

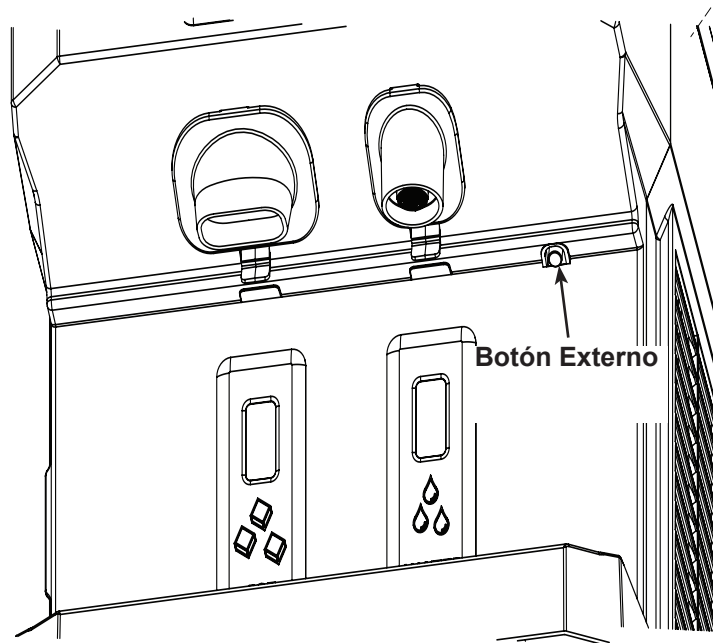
1. Quite los paneles: arriba y lado derecho.
2. Abra el agua, observe que el agua ingrese al depósito de agua, este se llene, y luego se cierre. Revise si hay fugas. Repare las fugas antes de continuar.
3. Enchufe la máquina de hacer hielo en su propio circuito, sin otros artefactos. En el panel de luces indicadoras, la luz Power se verá verde.
4. Localice el botón externo en el panel de bienvenida y manténgalo presionado durante 3 segundos.. Luego, en el panel de luces indicadoras, la luz Status se verá verde y comenzará el proceso de producción de hielo. Saldrá aire caliente del lado derecho.

Nota: Si el proceso de producción de hielo no comienza, retire el panel del costado derecho, retire la cubierta de la caja de control y revise si se muestran errores. Consulte la página 15 para conocer detalles.

5. Dentro de algunos minutos, comenzará a caer hielo en el recipiente de dispensado. Para revisar el dispensado de hielo, coloque un recipiente adelante del sensor de hielo sin contacto (justo abajo de la boquilla de dispensado de hielo) o empuje el botón de dispensado de hielo en el modelo HID207ABX. La luz indicadora de dispensado de hielo brillará y debería salir hielo de la boquilla cuando haya un recipiente presente, y dejar de dispensar cuando se retire el recipiente.
6. Para revisar el dispensado de agua, coloque un recipiente adelante del sensor de hielo sin contacto o empuje el botón de dispensado de agua en el modelo HID207ABX. El indicador de agua brillará y saldrá agua cuando haya un recipiente presente y parará cuando se retire.
7. Mantenga presionado el botón de Botón Externo durante 3 segundos para detener el proceso de producción de hielo.
8. Espere cerca de un minuto para que termine el proceso de producción de hielo, luego desenchufe o desconecte la energía eléctrica.
9. Con un cucharón, saque el hielo del recipiente y

desinfecte el interior del recipiente de almacenamiento del hielo con un paño con un desinfectante aprobado localmente o una mezcla de 59 ml (2 oz) de NuCalgon y 4.73 L (1.25 gal) de agua de 35 a 46 °C (95 a 115 °F); deje que se seque al aire.

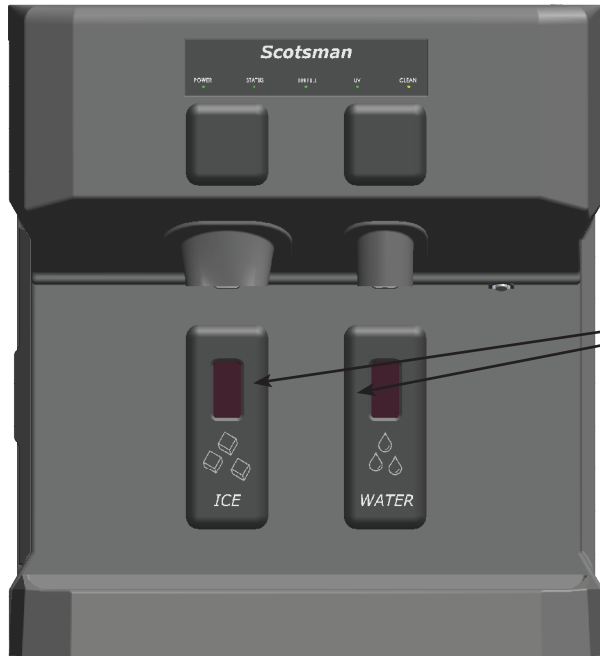
10. Vuelva a conectar la energía eléctrica.
11. Mantenga presionado el botón de Botón Externo durante 3 segundos para iniciar el proceso de producción de hielo.
12. Vuelva a colocar todas las cubiertas y paneles.
13. Dé al propietario/usuario el manual del usuario, y dele instrucciones sobre los requisitos de operación y mantenimiento de la unidad. Asegúrese de que sepa a quién debe llamar para realizar servicio.
14. Pida al cliente que llene el formulario de Evaluación del cliente y Registro de la garantía, y que lo envíe por correo a Scotsman o que registre la unidad en el sitio web de Scotsman (www.scotsman-ice.com) o escanee el código QR detrás de la bandeja de goteo.



HID207

Manual del usuario

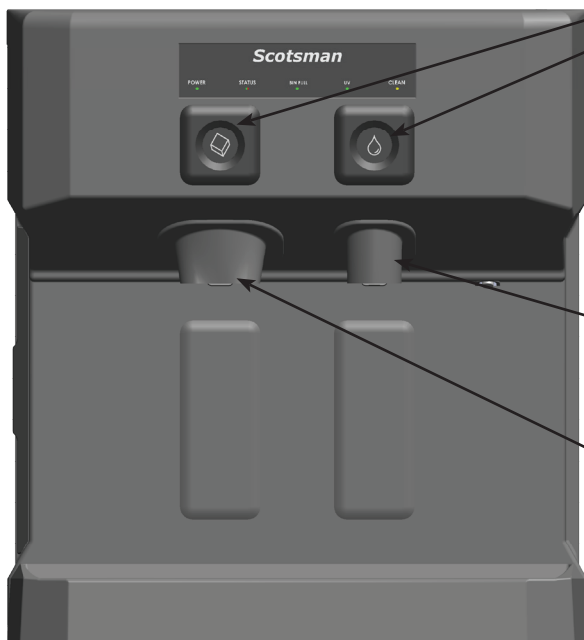
Ubicación de los componentes



Sensores de dispensado

Bandeja de goteo

HID207AX-1A

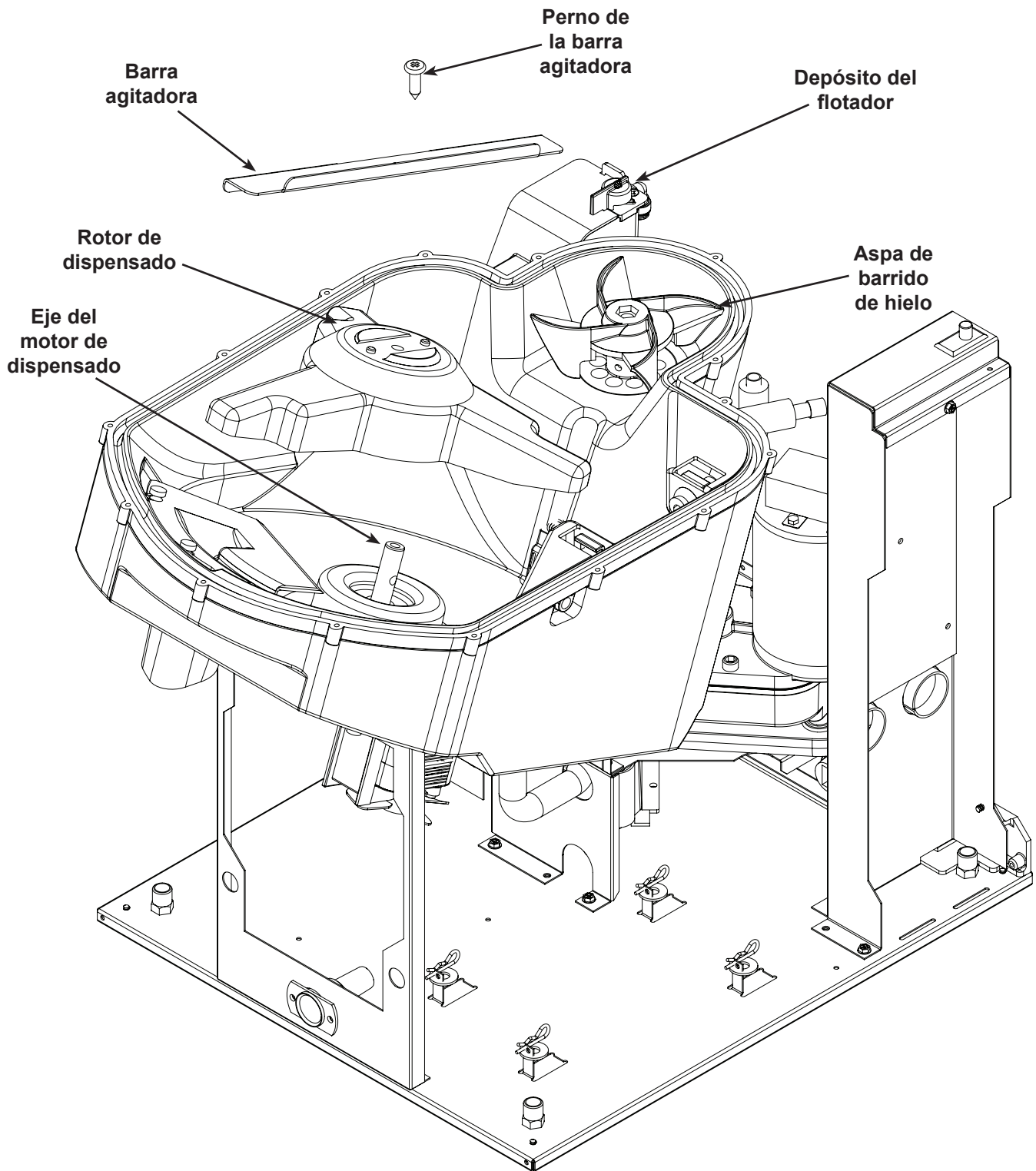


Botones de dispensado

Deslizadera para dispensado de agua

Deslizadera para dispensado de hielo

HID207ABX-1A



HID207

Manual del usuario

Operación. Dispensado de hielo y agua

Durante la producción de hielo, el hielo blando se comprime mediante un troquel, y luego se rompe en longitudes irregulares. No será transparente y, debido al derretimiento, cuando se dispense no será uniforme en tamaño ni forma.

El dispensado se lleva a cabo cuando el haz infrarrojo del sensor sin contacto rebota de vuelta hacia el sensor por un recipiente colocado directamente delante de él, o cuando se presiona el botón de dispensado en el modelo HID207ABX.

Si el recipiente está frente al sensor sin contacto en el lado izquierdo, el rotor de dispensado de hielo girará y barrerá el hielo sobre la deslizadera para dispensado de hielo. El hielo seguirá saliendo por la deslizadera mientras el rotor esté girando. Se detiene cuando se detiene el rotor.

Si el usuario no retira el recipiente, se dispensará hielo durante 24 segundos y, luego, se detendrá.

Si el recipiente está frente al sensor sin contacto en el lado derecho, se abrirá la válvula de agua de entrada y fluirá agua al recipiente.

Si el usuario no retira el recipiente, se dispensará agua durante 20 segundos y, luego, se detendrá.

Nota: El agua puede salir turbia y aclararse en el vaso. Esto es normal debido al aire en el agua y no es un indicador de desperfecto.

Otras notas:

- Se puede ver un goteo ocasional de la deslizadera para dispensado de hielo. Esto es normal y es a causa del hielo que se derrite al interior de la deslizadera. Un chorro continuo de agua de la deslizadera para hielo indica un drenaje del recipiente restringido.
- Es posible que los recipientes transparentes (de vidrio o de plástico) no siempre activen los sensores de dispensado. Vuelva a intentar con un recipiente opaco.

- La bandeja de goteo no es un fregadero y no puede aguantar basura. No se debe desechar café ni gaseosas en ella. Los residuos, como pajillas revolvedoras, que se desechen en la bandeja de goteo probablemente generen una acumulación de drenaje y se deben retirar tan pronto como se encuentren.
- Tanto el dispensado como la producción de hielo se desactivan cuando se apaga la unidad desde el controlador.
- El agua dispensada no está enfriada.
- Todos los modelos: Se enciende una luz de deslizadera cuando se activa el dispensado de hielo o agua.

Limpeza del panel antisalpicaduras

La limpieza del panel antisalpicaduras podría provocar un dispensado accidental. Para evitar esto, se incluye un botón de desactivación. Está empotrado en la parte inferior del panel de la deslizadera. Presione y suelte para desactivar el dispensado durante 60 segundos.

Hielo disponible

El usuario puede esperar que, cuando la luz Bin Full esté encendida, haya aproximadamente 3.18 kg (7 lb) de hielo disponibles para dispensar.

Ruido

Esta es una máquina de hacer hielo comercial. Contiene un compresor potente, un reductor de engranajes de servicio pesado y un ventilador que mueve mucho aire. Producirá algo de ruido cuando produzca hielo. Se hicieron todos los esfuerzos durante su diseño para minimizar el nivel de ruido, pero parte de este es inevitable.

HID207

Manual del usuario

Controlador

Todos los modelos usan el mismo sistema de control.

El controlador electrónico acciona el compresor (con el motor del ventilador), el motor de accionamiento del tornillo sinfín, el motor de accionamiento de dispensado y la válvula de solenoide de agua de entrada. Monitorea:

- Disponibilidad de agua en el depósito
- Nivel de hielo en el recipiente de almacenamiento
- Amperios del tornillo sinfín
- Llamada a dispensar hielo
- Llamada a dispensar agua
- Activar/desactivar dispensado
- Cualquier opción de control instalada

Muchas de estas se usan para asegurarse de que la máquina no se dañe a sí misma durante el uso. Por ejemplo, es fundamental no intentar producir hielo sin agua, por lo que, si el sensor está seco, la máquina no producirá hielo.

Interruptores - hay cinco interruptores:

- **Dispense water** (Dispensar agua): Para probar el dispensado de agua
- **Dispense ice** (Dispensar hielo): Para probar el dispensado de hielo
- **On/Off** (Encendido/Apagado): Para encender y apagar la máquina. Mantenerlo presionado parará inmediatamente la producción de hielo.
- **Clean** (Limpiar): Para activar el modo de limpieza
- **Botón externo**: presionar y soltar desactivará el sensor sin contacto durante 2 minutos, si está equipado
 - » Mantenga presionado durante 3 segundos para apagar/encender la unidad. Si se apaga, la barrena seguirá funcionando durante un minuto.
 - » Mantenga presionado durante 6 segundos. La unidad se apagará inmediatamente sin demora del sinfín.

Indicadores - hay nueve LED:

- **Power** (Energía): Brilla cuando el controlador tiene energía
- **Status** (Estado): Brilla cuando está en modo de producción de hielo
- **Time to Clean** (Tiempo de limpiar): Brilla cuando es tiempo de limpiar la máquina
- **Water Dispense Sensed** (Dispensado de agua detectado): Brilla cuando se ha activado el sensor de dispensado de agua*

- **Ice Dispense Sensed** (Dispensado de hielo detectado): Brilla cuando se ha activado el sensor de dispensado de hielo*
- **Water Dispense** (Dispensado de agua): Brilla cuando se ha activado la válvula de solenoide de agua de entrada*
- **Ice Dispense** (Dispensado de hielo): Brilla cuando se ha activado el motor de dispensado de hielo*
- **Auger** (Tornillo sinfín): Brilla cuando el motor del tornillo sinfín está encendido
- **Compressor** (Compresor): Brilla cuando el compresor está encendido

* Si parpadea, se ha alcanzado el límite de tiempo de dispensado de agua o hielo.

También hay una pantalla de códigos, los códigos son:

- U* - - - - para apagado
- F* - - - - para producción de hielo
- b* - - - - para recipiente lleno
- E* - - - - para error del controlador
- L* - - - - para modo de limpieza
- d* - - - - para modo de prueba
- Z* - - - - para error de corriente de bloqueo del motor de barrena
- 3* - - - - para "no se detectó agua"

Si se activa un código de número, se detendrá la producción de hielo del controlador. Un código parpadeante significa que es una condición temporal. Ejemplo: Una *F* parpadeante ocurre durante el proceso de reinicio de producción de hielo; deja de parpadear cuando arranca el compresor.

El control se reiniciará automáticamente después de una interrupción de agua o interrupción de energía, o cuando se haya restablecido automáticamente un interruptor de presión de refrigerante.

Para restablecer el control cuando se ha bloqueado manualmente, presione y suelte el botón On/Off para apagar y, luego, presione y suelte nuevamente para encender.

Nota: El compresor no se reiniciará durante 4 minutos desde el momento en que se apagó.

Hay cinco áreas de mantenimiento:

1. Bandeja de goteo, deslizaderas y sistema de drenaje
2. Condensador y filtro del condensador enfriado por aire
3. Recipiente y rotor de dispensado de hielo
4. Célula fotoeléctrica de control de nivel de hielo
5. Sistema de agua para producción de hielo

Bandeja de goteo

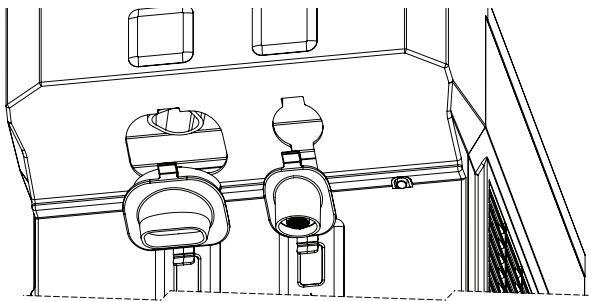
Es importante mantener la bandeja de goteo sin basura. Quite la basura apenas la note. Vierta agua caliente en la bandeja habitualmente para mantener el drenaje abierto.

Con el tiempo, la bandeja de goteo y el apoyavasos pueden recubrirse con sarro o suciedad. Se pueden retirar para fregarlos en un fregadero.

1. Mantenga presionado el interruptor de Botón Externo durante 3 segundos para detener el proceso de producción de hielo.

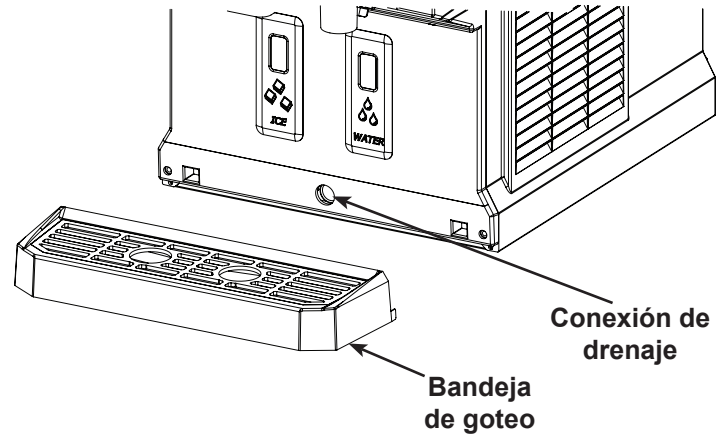


2. Desenganche las deslizaderas de dispensado y tire de ellas hacia abajo para retirarlas.



3. Tire de la bandeja de goteo hacia adelante para desconectarla del drenaje.

4. Tape la conexión de drenaje con un paño para evitar que gotee mientras se limpia la bandeja de goteo.
5. Lave la bandeja de goteo y las deslizaderas de dispensado. Use eliminador de sarro para máquinas de hacer hielo si se debe disolver sarro.



6. Haga el procedimiento en orden inverso para volver a armar. Asegúrese de empujar completamente la bandeja de goteo a su posición. Inserte las deslizaderas hasta que encajen en su posición.
7. Mantenga presionado el interruptor de Botón Externo durante 3 segundos para reiniciar el proceso de producción de hielo.

Nota para desactivar la venta:

- Presione y suelte para detener automáticamente la venta. Y detener los sensores, si corresponde.
- Mantenga presionado durante 3 segundos para encender o apagar; permitiendo al sinfín un momento para terminar el ciclo.
- Presione y mantenga presionado durante 6 segundos para apagar la máquina de hacer hielo.

HID207

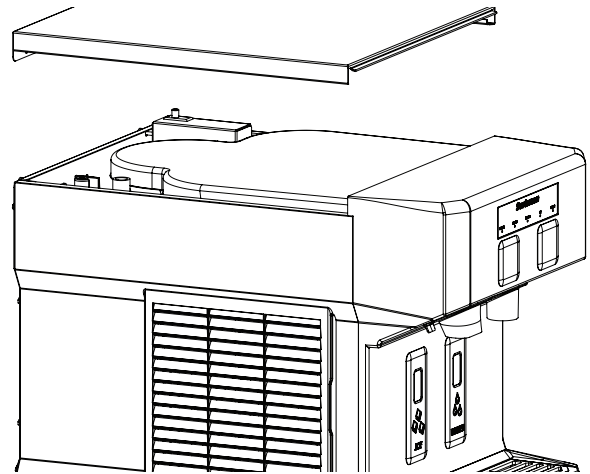
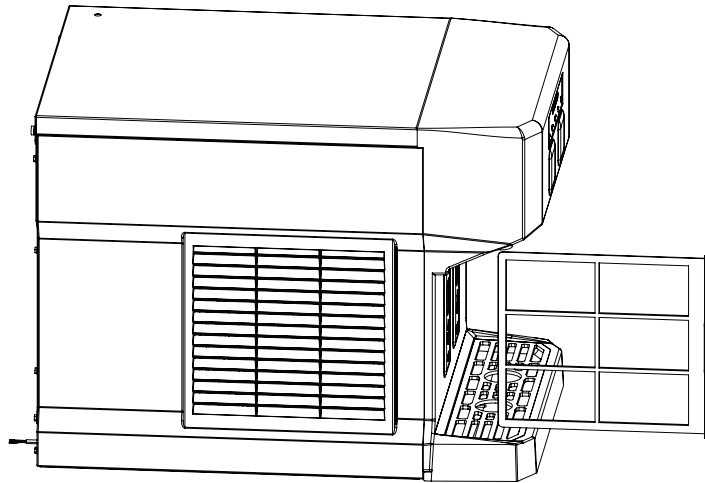
Manual del usuario

Filtro de aire

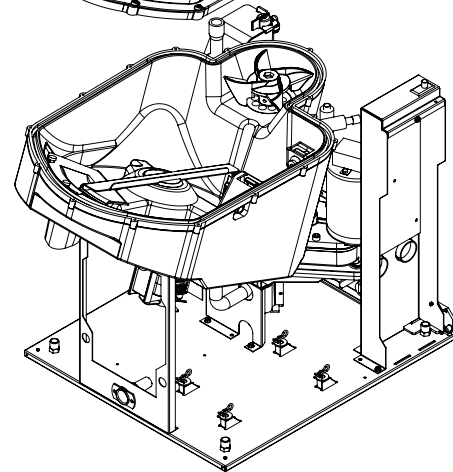
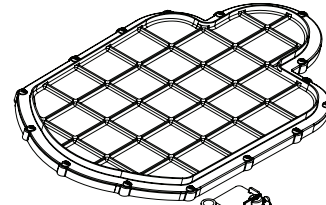
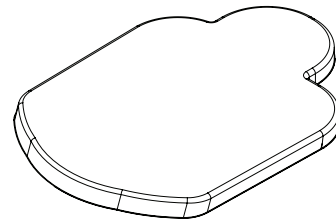
El filtro de aire en el lado izquierdo del gabinete captará una cantidad considerable de polvo y pelusas durante la operación. A medida que se acumula la suciedad, comienza a restringir el flujo de aire y causa que el sistema de refrigeración trabaje más para producir hielo. Limpie el filtro de aire habitualmente.

Para quitarlo, tire de él hacia adelante desde las persianas. No lo deje fuera por períodos prolongados.

Lávelo en un fregadero multiuso. Cuando esté limpio, devuélvalo a la unidad.



Retire el panel superior



Retire la tapa del recipiente

Condensador

Es posible que también deba limpiar las aletas del condensador. Retire el panel del lado izquierdo y, con un cepillo, quite las pelusas y suciedad de la superficie del condensador. Aspire la suciedad restante. No dañe las aletas del condensador durante la limpieza.

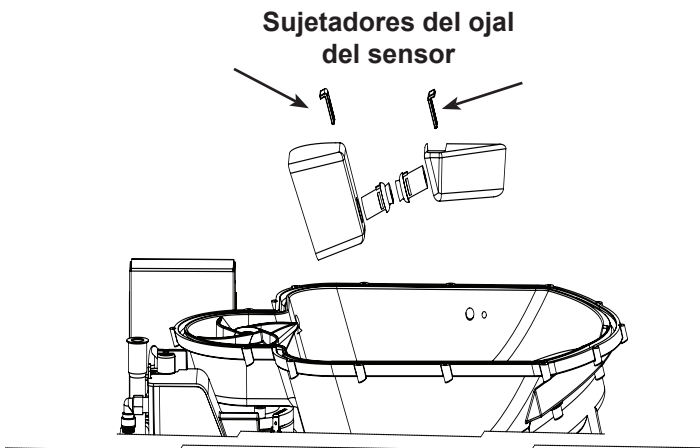
HID207

Manual del usuario

Controles de nivel de hielo

Limpie si el controlador indica recipiente lleno y no hay hielo entre los sensores.

1. Apague la máquina.
2. Retire el panel superior.
3. Retire el panel antisalpicaduras.
4. Desconecte el conector de los controles de nivel de hielo.
5. Retire los 15 tornillos de cabeza Phillips y la tapa del recipiente de almacenamiento del hielo.
6. Levante y saque cada uno de los sujetadores del ojal del sensor.
7. Empuje los ojales por la parte superior del recipiente.
8. Saque cada uno de los sensores de su ojal de goma. Tire de la parte más cerca del ojal, no del hilo.
9. Limpie los lentes de los sensores con un paño limpio y suave. Precaución: No raye el lente. Si hay sarro mineral en el lente, se deberá usar eliminador de sarro para máquinas de hacer hielo para limpiarlo.
10. Vuelva a colocar cada sensor en un ojal y presiónelo hasta que encaje en su posición.
11. Realice los pasos restantes en orden inverso para volver a armar.



HID207

Manual del usuario



Mantenimiento y limpieza: Componentes del recipiente de dispensado

El recipiente de almacenamiento del hielo se debe limpiar y desinfectar regularmente, como mínimo cuando se limpia el sistema de producción de hielo. Se recomienda el uso de herramientas manuales y protección para las manos, como guantes de goma, para este procedimiento.

Nota: Algunos pasos se superponen con el procedimiento de la siguiente página. Este procedimiento puede ser independiente de la limpieza del sistema de producción de hielo, o parte de este.

Procedimiento de limpieza del recipiente

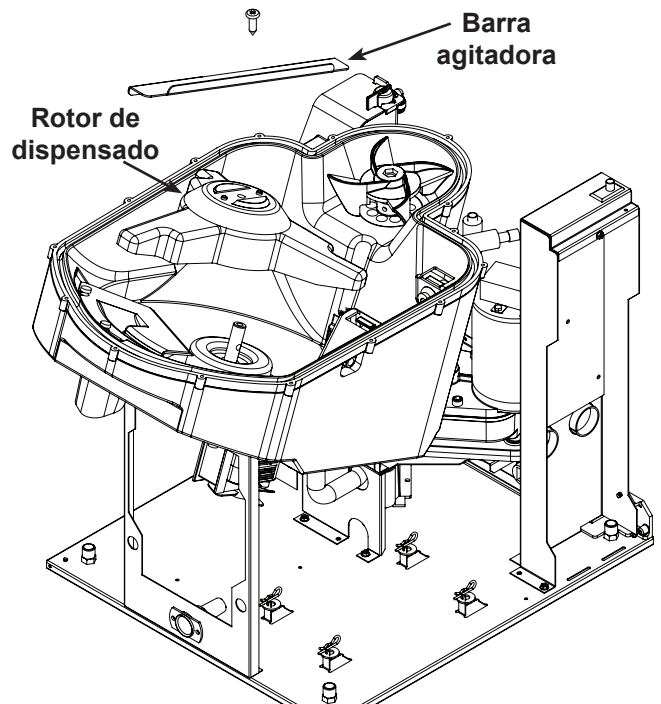
1. Dispense o derrita todo el hielo.
2. Desenchufe de la energía eléctrica.
3. Retire el panel superior.
4. Retire el panel antisalpicaduras.

 PRECAUCIÓN	
Peligro de piezas móviles.	
Riesgo de lesiones corporales. Desconecte la energía eléctrica antes de continuar.	

Nota: Lentamente agregue 1/2 litro (16 oz) de agua al recipiente a la vez, ya que el exceso de agua saldrá por la boquilla.

5. Desconecte el mazo de cables del control de nivel de hielo.
6. Retire los tornillos de cabeza Phillips que afirman la tapa en el recipiente de almacenamiento de hielo y déjelos a un lado.
7. Retire la tapa del recipiente de almacenamiento del hielo y déjela a un lado.
8. Retire el perno que fija la barra agitadora y la barra agitadora, déjelos a un lado.
9. Levante y retire el rotor de dispensado, déjelo a un lado.

10. Mezcle una solución de eliminador de sarro para máquinas de hacer hielo, como Scotsman Clear 1 y agua potable según las instrucciones incluidas en el producto.
11. Con un paño limpio, lave todas las superficies interiores del recipiente y su tapa, la barra agitadora, la tapa de la deslizadora y el rotor de dispensado con la solución de eliminador de sarro para máquinas de hacer hielo. Enjuague con agua limpia.



12. Mezcle una solución de 7.5 litros o 2 galones de desinfectante aprobado localmente. Una posible solución de desinfectante podría ser una mezcla de 118 ml/4 oz de NuCalgon IMS y 9.5 litros o 2.5 galones de agua potable tibia (32 °C/90 °F a 43 °C/110 °F).
13. Con un paño limpio nuevo, lave todas las superficies interiores del recipiente y su tapa, la barra agitadora y el rotor de dispensado con la solución de desinfectante.
14. Consulte la página 18 para seguir con los pasos de limpieza.

Instrucciones de limpieza del sistema de producción y dispensado de hielo

Se recomienda el uso de herramientas manuales, productos de limpieza y protección para las manos para este procedimiento.

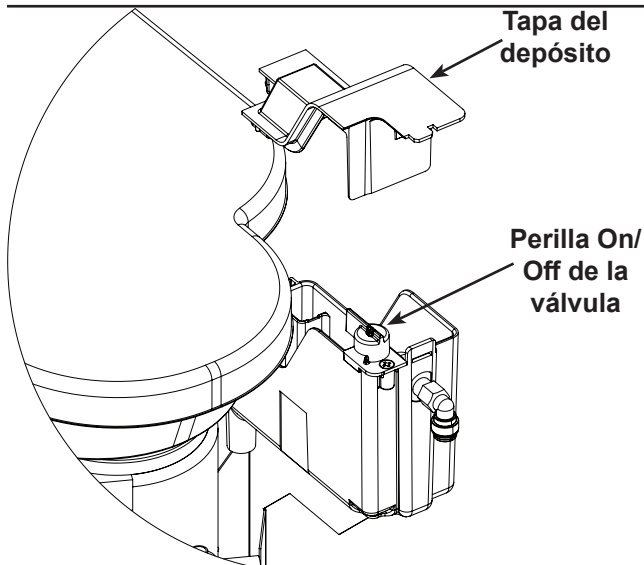
Frecuencia: El tiempo mínimo recomendado entre limpiezas es de 6 meses. Para ayudar a determinar si la máquina no se ha limpiado en 6 meses, se encenderá la luz Time To Clean después de 6 meses de tiempo de encendido. Limpiar la máquina con el siguiente proceso restablecerá esa luz y el temporizador que la controla. Se pueden requerir limpiezas más frecuentes según el contenido mineral del agua, el tiempo de funcionamiento y la potencial contaminación transportada por el aire.

1. Retire el panel superior para acceder al depósito.

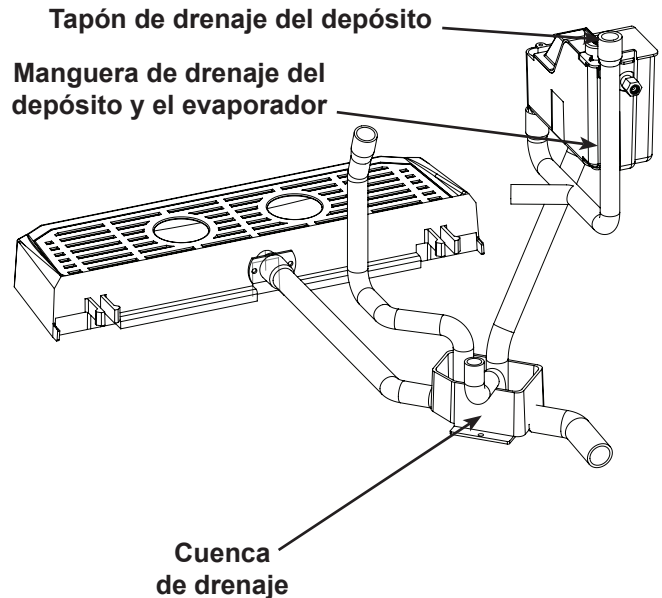
Nota: Si la unidad se debe sacar para retirar el panel y acceder al depósito de agua, asegúrese de que el suministro de agua, el drenaje y la energía sigan conectados.

2. Dispense y deseche todo el hielo.
3. Retire todos los paneles para acceder al control.
4. Retire la tapa de la caja de control.
5. Mantenga presionado el botón Off hasta que la máquina se apague.
6. Ubique la perilla On/Off de la válvula de flotador. Gire a OFF para cortar el suministro de agua.
7. Empuje la lengüeta en el borde delantero de la tapa del depósito y quite la tapa.

Nota: Los hilos adyacentes son de bajo voltaje y no son peligrosos.



8. Encuentre el drenaje del depósito y quite el tapón para drenar el depósito y el evaporador. Cuando termine el drenaje, vuelva a colocar el tapón en su posición original.

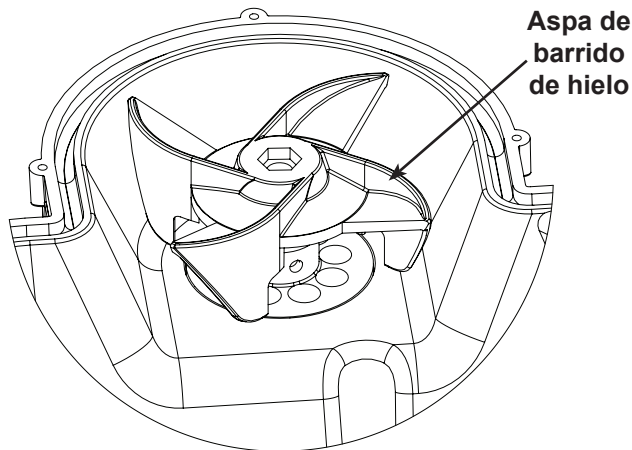


9. Mezcle una solución de eliminador de sarro Clear 1 y agua: 74 ml (2.5 oz) de Clear 1 con 946 ml (1 qt o 32 oz) de agua potable tibia (32 °C/90 °F a 43 °C/110 °F).

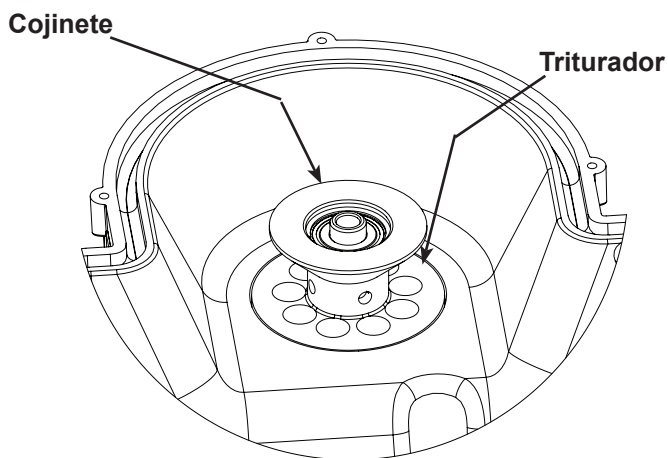
<p>PRECAUCIÓN</p>	<p>El limpiador de la máquina de hacer hielo Scotsman contiene ácidos. Estos compuestos pueden causar quemaduras. Si se traga, NO induzca al vómito. Beba grandes cantidades de agua o leche. Llame a un médico de inmediato. En caso de contacto externo, enjuague con agua. MANTENGA FUERA DEL ALCANCE DE LOS NIÑOS</p>

Nota: Tenga cuidado de no derramar eliminador de sarro en superficies cercanas. Limpie inmediatamente los derrames con bicarbonato de sodio y agua.

10. Llene el depósito con solución de eliminador de sarro. Esto serán cerca de 237 ml (8 oz).
11. Destornille (gire hacia la izquierda) y retire el aspa de barrido de hielo.



12. Este es un cojinete sin grasa. Puede haber oxidación negra, lo que es normal; revise si hay y limpie. Inspeccione si hay desgaste y óxido en el sello del cojinete. Llame al servicio técnico si encuentra uno de estos.



13. Lave el aspa de barrido de hielo y la parte inferior del triturador con solución de eliminador de sarro. Retire la mayor cantidad de sarro posible.

<p>PRECAUCIÓN</p>	
<p>Peligro de piezas móviles. Riesgo de lesiones corporales.</p>	

Precaución: ASEGÚRESE de que el eliminador de sarro no haga contacto con el cojinete.

14. Regrese el aspa de barrido de hielo a su posición original.

15. MANTENGA presionado los botones On y Off durante 5 segundos. La luz Time To Clean parpadeará.
16. Después de 40 minutos (20 sin producción de hielo y 20 produciendo hielo), se apagará la máquina de hacer hielo y todas las luces del panel de control.
17. Después de que comience la producción de hielo, agregue continuamente eliminador de sarro al depósito para mantenerlo hasta la mitad.
18. Cuando se use toda la solución restante, gire la perilla de la válvula de flotador a la posición ON. Se seguirá produciendo hielo.
19. Gire la palanca de la válvula de flotador a Off y quite nuevamente el tapón de drenaje para drenar el sistema, luego vuelva a colocarlo.
20. Vierta 3.8 L (un galón) de agua caliente (35 °C/95 °F a 46 °C/115 °F) en el recipiente de almacenamiento del hielo para enjuagar el drenaje y derretir todo el hielo que se hizo durante el proceso de limpieza. Asegúrese de que se derrita todo el hielo.

Nota: Solo agregue 1/2 litro o 16 oz de agua al recipiente a la vez, ya que el exceso de agua saldrá por la boquilla.

21. Gire la perilla de la válvula de flotador hasta la posición ON.
22. Presione y suelte el botón On para reiniciar la producción de hielo.
23. Haga funcionar la máquina durante 15 minutos y luego vierta el agua en el hielo del recipiente hasta que se haya derretido todo.

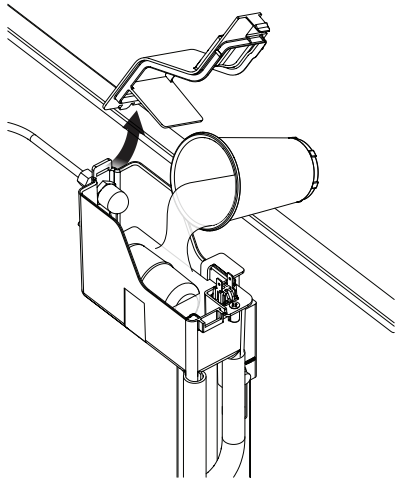
Nota: Solo agregue 1/2 litro o 16 oz de agua al recipiente a la vez, ya que el exceso de agua saldrá por la boquilla.

24. Gire la perilla de la válvula de flotador a la posición de apagado.
25. Localice el drenaje del depósito y retire el tapón de drenaje para drenar el depósito y el evaporador. Cuando se complete el drenaje, regrese el tapón a su posición original.
26. Gire la válvula de flotador a la posición ON y permita que el depósito se llene de agua. Limpiar los posibles restos de desincrustante.
27. Una vez que el depósito esté lleno, gire la válvula de flotador a la posición de apagado y retire el tapón de drenaje para drenar el depósito y el evaporador. Cuando se complete el drenaje, regrese el tapón a su posición original.


28. Para continuar, consulte la sección Desinfección para conocer los próximos pasos.

Realice después de la eliminación de sarro para completar el proceso de limpieza del sistema de agua.

1. Haga una solución de desinfectante.
2. Mezcle 118 ml/4 oz de NuCalgon IMS 9.5 L/2.5 gal de agua potable (32 °C/90 °F a 43 °C/110 °F) para crear una solución de 200 ppm.
3. Gire la perilla de corte de agua del depósito para cortar el suministro de agua. Si se colocó la tapa del depósito de agua, quítela.



4. Vierta la solución de desinfectante en el depósito hasta que esté lleno, pero no sobre el punto de rebose (cerca de 237 ml/8 oz) y espere 2 minutos.
5. Presione el On botón para encender la máquina de hacer hielo.

 PRECAUCIÓN	
Peligro de piezas móviles. Riesgo de lesiones corporales.	

6. Haga funcionar la máquina durante al menos 15 minutos, agregando desinfectante al depósito según sea necesario para mantenerlo al menos hasta la mitad, y luego presione y suelte el botón Off para apagarla.

7. Quite el aspa de barrido de hielo.
8. Lave la tapa del depósito, el aspa de barrido de hielo, el triturador y el interior de la deslizadera para hielo con la solución desinfectante.

Precaución: No permita que el desinfectante haga contacto con el cojinete.

9. Regrese el aspa de barrido de hielo y la tapa del depósito a sus posiciones normales.
10. Quite el tapón de drenaje del depósito para drenar la solución del sistema.
11. Vuelva a colocar el tapón cuando termine.
12. Enjuague el revestimiento del recipiente con agua limpia. Asegúrese de que se haya derretido todo el hielo.

Nota: Solo agregue 1/2 litro o 16 oz de agua al recipiente a la vez, ya que el exceso de agua saldrá por la boquilla.

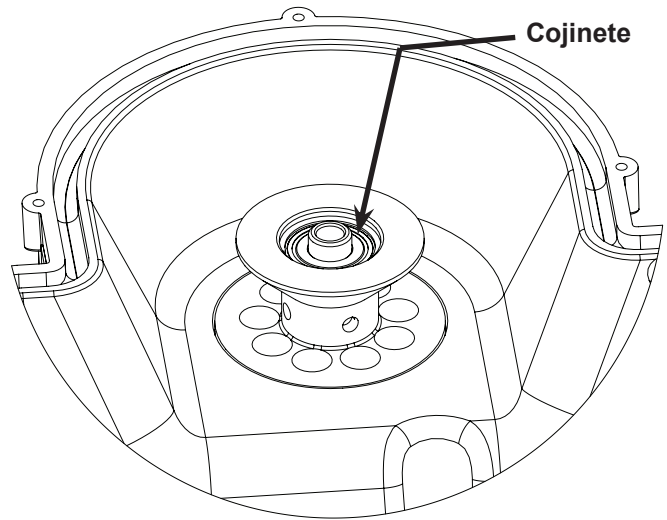
13. Retire la barra agitadora y el rotor de dispensado.
14. Retire las deslizaderas de dispensado de agua y hielo.
15. Lave completamente las deslizaderas de dispensado, la barra agitadora, el rotor de dispensado todas las superficies interiores del recipiente, como la tapa del recipiente y cualquier otra área que pueda hacer que el hielo tenga contacto con la solución desinfectante.
16. Enjuague con agua limpia.
17. Regrese las deslizaderas de dispensado, la barra agitadora y el rotor de dispensado a sus posiciones originales.
18. Gire la perilla de corte de agua a la posición ON para abrir el suministro de agua.
19. Presione y suelte el botón On para reiniciar la producción de hielo.
20. Vuelva a poner la tapa del recipiente de dispensado en la máquina y fíjela con los tornillos originales.
21. Devuelva todos los paneles a sus posiciones normales y fíjelos con los tornillos originales.

El tornillo sinfín del sistema de producción de hielo está centrado con cojinetes en la parte superior e inferior. También está sellada contra las fugas por un anillo de impermeabilización en la parte inferior.

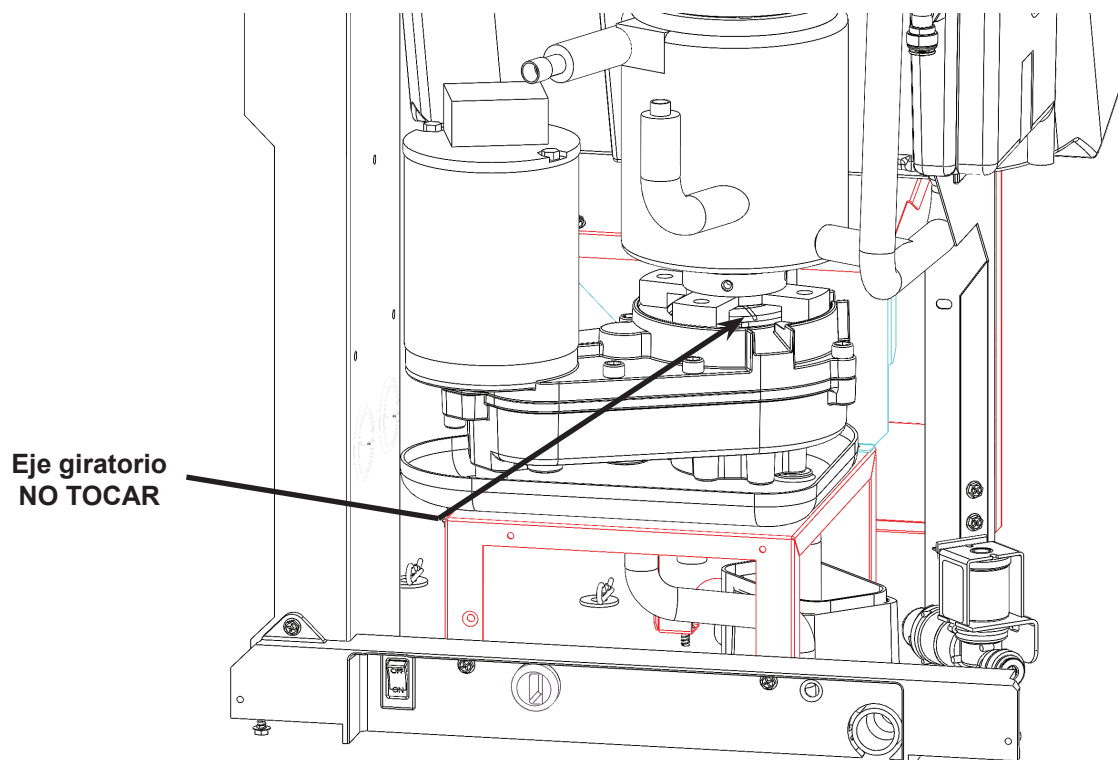
Los cojinetes están permanentemente lubricados y no necesitan mantenimiento. Se pueden revisar visualmente en busca de desgaste o daños evidentes, pero no es necesario agregar lubricación.

Los cojinetes del motor del tornillo sinfín y el reductor de engranajes también están permanentemente lubricados y no necesitan mantenimiento.

Se debe revisar si la parte inferior del sistema de producción de hielo tiene fugas. El drenaje de agua desde la parte inferior es una indicación de fugas del anillo de impermeabilización. Se requiere reparación inmediata cuando se descubre una fuga del anillo de impermeabilización.



⚠ PRECAUCIÓN	<p>Icono de una mano tocando un eje giratorio, indicando un peligro de lesiones corporales.</p>
Peligro de piezas móviles.	
Riesgo de lesiones corporales.	
NO toque el eje giratorio en ningún momento	



HID207

Manual del usuario

Antes de llamar al servicio técnico

No hay hielo, la luz Status está apagada, la luz Power está encendida: Revise el suministro de agua. Restablezca el suministro de agua hacia la unidad si está cortado. Retire el panel delantero y revise la luz indicadora de agua; si está encendida, la unidad no detecta agua.

Nota: La unidad se reiniciará automáticamente cuando se restablezca el suministro de agua.

Nota: La unidad NO funcionará si está conectada a un suministro de agua ultra pura. La conductividad debe estar sobre el límite indicado (consulte la página 2).

No hay hielo: Revise el suministro eléctrico. Si no hay luces en el panel de control, no hay energía hacia el controlador. Confirme que la unidad esté enchufada en un tomacorriente con el voltaje correcto que funcione.

Nota: La unidad se reiniciará automáticamente cuando se restablezca la energía. Si la unidad NO ha estado en funcionamiento, se debe presionar el botón on-off para iniciar el funcionamiento.

No hay hielo, la luz Bin Full está encendida: Revise si hay un falso aviso de recipiente lleno provocado por sarro mineral en los sensores ópticos, ubicados en la parte superior de la deslizadera para hielo. La luz Status de color verde sin producción de hielo es una señal de un falso aviso de recipiente lleno.

Limpie con cuidado el sarro acumulado en los sensores ópticos. No raspe con un objeto afilado.

No se dispensa hielo, la luz Bin Full está encendida y la luz de dispensado de hielo se enciende cuando hay un recipiente en la estación de hielo. Llame al servicio técnico.

No se dispensa agua, la luz Power está encendida y la luz de dispensado de agua se enciende cuando hay un recipiente en la estación de agua. Revise si hay restricciones en el suministro de agua y el filtro de agua, si se usa. Restablezca la presión del agua.

Producción lenta: Revise si el condensador está sucio, limpie el condensador.

Producción lenta: Revise la temperatura del gabinete, si la habitación está caliente o si el flujo de aire está restringido, la producción será más lenta.

Todas las luces indicadoras están parpadeando: Llame al servicio técnico.

La bandeja de goteo no se drena:

- Retire el portavasos, luego revise el filtro debajo de este, y retire los residuos de alrededor del filtro.
- Si el agua comienza a fluir, regrese el filtro y el portavasos a sus posiciones.
- Si el agua aún no se drena, suavemente inserte un cepillo para botellas en la conexión de drenaje con un movimiento hacia adelante y hacia atrás, hasta que se solucione el problema de drenaje.
- Vierta suavemente solución desinfectante* directamente en la bandeja de goteo para desinfectar completamente el sistema de drenaje.

Nota: Para evitar futuras obstrucciones, asegúrese de desinfectar regularmente la bandeja de goteo y también de verter solo agua en la bandeja de goteo (es decir, no café, gaseosas, etc.)

*Desinfectante: Mezcle 3.8 L (1 galón) de desinfectante aprobado localmente (como NuCalgon) y vierta lentamente en la conexión de drenaje para ayudar a evitar futuros problemas de drenaje. Ciertos entornos pueden requerir desinfección más frecuente.

HID207

Manual del usuario

Para el técnico de servicio - R290

El servicio de refrigeración solo lo debe intentar realizar un profesional del área capacitado y certificado para trabajar en sistemas R290.

Estos son algunos elementos críticos de servicio.

Esta lista no califica a cualquier persona para realizar servicio a la unidad. Es un recordatorio y una lista de comprobación para el técnico de servicio. Tenga esto presente para el **servicio de R290**:

- NO se deben usar tuercas para hilos cuando se cambie una pieza eléctrica.
- Los tubos de proceso son para usarlos para acceso de servicio.
- Corte (con un cortador de tubos) los componentes de refrigeración que se deben reemplazar. NO quite la soldadura.
- Ya que el R290 se puede ventilar al aire durante el servicio, la ventilación DEBE ser en un área libre de llamas o chispas. Debe ser cerca de una ventana o puerta abierta.
- Se debe instalar un letrero que avise servicio de un sistema que contiene propano en la unidad durante el servicio de refrigeración.
- Se debe usar un detector de fugas de gas combustible para informar a todos en el área cuando hay propano presente en el aire.

Otra información:

Evacuación: Es fundamental que el sistema de refrigeración esté libre de fugas y seco internamente. Una evacuación completa con una buena bomba de vacío con un indicador de micrones instalado es la única manera de garantizar que el sistema esté seco y listo para una carga de refrigerante.

Carga: El sistema está críticamente cargado y se DEBE pesar el tipo adecuado y la cantidad.

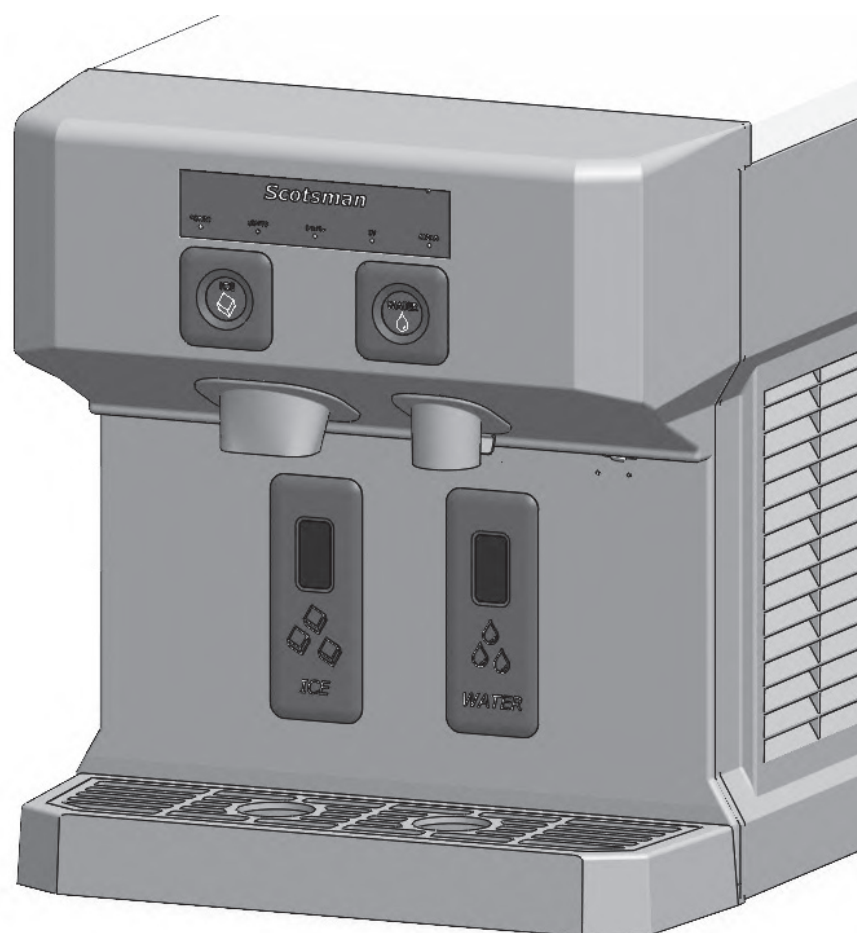
Solo use a un técnico calificado que esté familiarizado con el refrigerante R290 para retirar de servicio, ya que se requieren herramientas y recipientes especiales para el retiro, el transporte y la eliminación de propano altamente inflamable.

Se recomienda el uso de buenas prácticas de operación para mantener la seguridad y seguir las pautas locales, estatales y federales para la eliminación adecuada.

- Antes de intentar realizar el procedimiento, asegúrese de contar con todas las herramientas y equipos mecánicos necesarios.
- Se debe usar toda la indumentaria de protección todo el tiempo y tener equipos de recuperación y cilindros a mano.
- Todos los recipientes que se usen para la recuperación deben tener etiquetas adecuadas que muestren que se pueden usar para refrigerante R290.
- Antes de comenzar con la recuperación del refrigerante, coloque los refrigerantes en básculas. Al llenar los recipientes, no supere el 80 % del volumen y no exceda la presión de trabajo del recipiente.
- Antes de usar la máquina de recuperación, asegúrese de que esté en buenas condiciones y de que los componentes eléctricos estén correctamente sellados para evitar cualquier tipo de ignición.
- El refrigerante recuperado no se debe cargar en otro sistema de refrigeración ni se debe mezclar en otro recipiente.
- Cuando traslade el refrigerante de un sistema, use buenas prácticas para trasladar todos los refrigerantes de manera segura.
- Todo el refrigerante recuperado se debe devolver al proveedor de refrigerante para su eliminación adecuada.
- Si se retira el compresor o los aceites del compresor, asegúrese de que se han retirado a un nivel aceptable, de modo que el refrigerante inflamable no quede en el lubricante.



Manuel d'installation et d'utilisation pour le modèle de machine à glaçons et distributeur HID207



Informations importantes concernant la sécurité Assurez-vous de lire l'intégralité du document afin d'éviter des blessures graves, voire la mort.



- Cette machine à glaçons contient un réfrigérant **INFLAMMABLE** et présente un risque d'incendie ou d'explosion. N'utilisez pas de cigarettes, de vapes ni de téléphone portable à proximité des tuyaux ou des câbles car ils pourraient être une source d'inflammation ou d'étincelle.



- La machine à glaçons ne doit pas être installée à côté d'un équipement avec une source d'inflammation ouverte (c'est-à-dire des flammes nues, un appareil à gaz en fonctionnement ou un radiateur électrique).



- Prenez des précautions et n'installez pas la machine à glaçons à côté de quoi que ce soit qui vibre continuellement, afin d'éviter les vibrations ou pulsations excessives.



- Assurez-vous d'installer la machine à glaçons dans un environnement bien ventilé et assurez-vous que la ventilation et les sorties ne sont pas obstruées.



- Fixez correctement les fils et les câbles électriques afin qu'ils ne soient pas soumis à l'usure ni aux vibrations.

- Assurez-vous d'avoir un extincteur à portée de main en cas d'urgence.



- **AVERTISSEMENT** : Cancer et dommages au système de reproduction. Visitez le site www.P63Warnings.ca.gov pour obtenir de plus amples informations.
- Faites appel à un technicien recommandé par Scotsman et certifié pour réparer l'équipement R290.
- Utilisez **UNIQUEMENT** des pièces de rechange provenant de l'usine de Scotsman. L'utilisation de pièces non FEO (fabricant d'équipement d'origine) peut être dangereuse en raison des modifications de conception nécessaires pour utiliser le R290 en toute sécurité..

HID207

Manuel d'utilisation

Caractéristiques

Cette machine à glaçons et distributeur est conçue pour être installée à l'intérieur, dans un environnement contrôlé. Bien qu'elle puisse fonctionner sur un large intervalle de températures de l'air et de l'eau, elle fournit les meilleurs résultats lorsqu'elle n'est pas sujette à des conditions extrêmes.

Limites de température de l'air

- Maximum : 100°F ou 38°C.
- Minimum : 50°F ou 10°C.

Limites de température de l'eau

- Maximum : 100°F ou 38°C.
- Minimum : 40 °F ou 4,4 °C.

Pression d'eau, potable

- Maximum : 5,5 bars ou 80 psi
- Minimum : 1,3 bars ou 20 psi

Conductivité de l'eau :

- Minimum : 10 microSiemens/cm

Un système d'osmose inverse peut être fourni pour le système d'eau potable, mais si la conductivité est inférieure à la conductivité indiquée ci-dessus, le capteur de niveau d'eau ne détectera pas l'eau et la machine ne produira pas de glaçons.

L'eau désionisée ne permettra pas à la machine de fonctionner et il n'est pas recommandé d'en utiliser.

Tension - 60 Hz

- Maximum : 126 Minimum : 104

L'exploitation de la machine en dehors de l'une quelconque de ces limites est considérée comme étant un emploi abusif et tout dommage en résultant n'est pas couvert par la garantie et peut entraîner l'invalidation complète de la garantie.

Garantie

La déclaration de garantie de ce produit est fournie séparément de ce manuel. Veuillez la consulter pour connaître la couverture en vigueur. En général, la garantie couvre les vices de matériau ou de fabrication. Elle ne couvre pas l'entretien, les rectifications d'installations, ni les situations où la machine est exploitée dans des conditions dépassant les limites indiquées ci-dessus.

Il s'agit d'un modèle commercial ; si la machine est installée dans une résidence, certaines entreprises d'entretien commerciales pourraient ne pas être en mesure d'effectuer l'entretien sur place.

Information sur le produit

Le produit est une machine à glaçons et distributeur. Cette machine est conçue pour être installée sur un plan de travail ou sur un support de machine spécifique.

- Tous les modèles nécessitent une vidange. Un bac de vidange interne sépare la vidange du bac pour le stockage des glaçons de la vidange du bac d'égouttage.

- Un clapet anti-retour peut être requis par les codes locaux concernant la plomberie, bien que le reflux soit empêché par la conception du flotteur et du réservoir inclus.

- La machine est équipée d'un cordon d'alimentation de 2,27 m (7,5 pi) muni d'une fiche NEMA 5-15P.

- Le flux d'air va de gauche à droite et un filtre à air nettoiable est inclus.

- Des pieds de 10 cm (4 po) sont en option pour les modèles de comptoir. Dimension du filetage 0,95 cm - 40,64 cm (3/8 po - 16 po).

- La distribution de glaçons ou d'eau est déclenchée par des capteurs ou des boutons sans contact, selon le modèle.

- Voir les kits et options proposés dans la documentation pour la vente.

Les machines de Scotsman Ice Systems sont conçues et fabriquées en accordant la plus haute attention à la sécurité et au fonctionnement.

Scotsman décline responsabilité concernant les produits fabriqués par Scotsman ayant été modifiés de quelque manière que ce soit, y compris par l'utilisation de toute pièce et/ou d'autres composants non spécifiquement approuvés par Scotsman.

Scotsman se réserve le droit de modifier et/ou d'améliorer la conception à tout moment. Les caractéristiques et la conception peuvent être modifiées sans préavis.

HID207

Manuel d'utilisation

Panneau avec voyants lumineux de la machine HID207

L'avant du HID207 comprend un panneau lumineux qui informe les utilisateurs de plusieurs faits importants durant le fonctionnement de la machine :



Alimentation : Lorsque ce voyant est allumé, cela indique que l'alimentation est connectée à la machine.

État : Ce voyant s'allume lorsque la machine produit des glaçons.

Bac plein : Lorsque ce voyant est allumé, le récipient ou le bac de stockage de glaçons est plein de glaçons et la machine soit ne produit plus de glaçons, soit est en train de s'arrêter de produire des glaçons.

UV : La machine HID207 comprend une lampe d'assainissement ultraviolette pour l'eau. Ce voyant lumineux indique à l'utilisateur quand le module UV doit être remplacé.

Nettoyer : Le voyant Nettoyer informe l'utilisateur que le nettoyage régulier de cette machine n'est pas terminé.

HID207

Manuel d'utilisation

Placement

L'emplacement de la machine doit être choisi avec soin. Veiller à prévoir un espace suffisant sur le côté pour l'aération autour des modèles refroidis par air.

Dégagements minimaux :

- 15 cm ou 6 po de chaque côté
- 5 cm ou 2 pouces au-dessus, 25 cm ou 10 po de plus pour permettre le retrait de la vis sans fin lorsque le dessus est fixé.
- 15 cm ou 6 pouces à l'arrière.

Direction de la circulation de l'air

L'air circule de gauche à droite. Plus d'espace que le minimum requis laissé sur les côtés permettra de maximiser les performances.

La prise de courant doit être située à portée du cordon d'alimentation fourni. Si la machine est placée sur un comptoir, celui-ci doit être suffisamment solide pour supporter le poids de la machine. L'espace au-dessus de l'armoire doit être prévu pour l'entretien et la maintenance. Si les pieds sont utilisés, prévoir un espace suffisant pour la hauteur totale de l'armoire.

Le placement dans une petite pièce nécessitera une ventilation pour évacuer la chaleur qui est produite. Un bruit supplémentaire provenant du ventilateur peut également être produit. Il faut prévoir de placer la machine là où le bruit de la fabrication de glaçons n'est pas désagréable.

Des émetteurs infrarouges placés à proximité de la machine ou une fenêtre qui permet à la lumière du soleil de briller sur un capteur de distribution (uniquement sur le modèle HID207AX) peuvent amener la machine à distribuer des glaçons ou de l'eau sans qu'aucun récipient n'ait été placé pour la déclencher.

Informations sur le modèle

Modèle	Tension V/Hz/phase	Dimensions l x p x h (mm [po])	MCA	Type de condenseur	Réfrigérant (R-290)	Déclencheur de distribution
HID207AX-1A	115/60/1	40,767 x 44,52 x 60,40 (16,05 x 17,53 x 23,78)	11,8	Air pulsé	85,04 gr (3 onces)	Cellule photoélectrique
HID207ABX-1A	115/60/1	40,767 x 44,52 x 60,40 (16,05 x 17,53 x 23,78)	11,8	Air pulsé	85,04 gr (3 onces)	Bouton

Utilisation dans une cafétéria.

Remarque : Utilisation limitée en raison de la petite capacité.

La machine peut être placée dans une cafétéria pour distribuer des glaçons et de l'eau. Comme certains utilisateurs distribuent parfois trop de glaçons, une utilisation à volume élevé peut nécessiter que le bac d'égouttage soit débarrassé des glaçons renversés.

Attention :

Des précautions doivent être prises lors du déplacement ou de l'entretien de la machine. Le réfrigérant est contenu dans un système scellé, mais s'il est libéré, il peut être inflammable.

HID207

Manuel d'utilisation

Installations sur un comptoir

Les machines placées sur un comptoir doivent soit être équipées de pieds, soit être scellées sur le comptoir avec un scellant de qualité alimentaire conformément aux codes locaux en vigueur. Terminez l'installation avant de sceller la machine afin d'éviter de perturber le joint.

Remarque : Scellez le châssis au comptoir, ne scellez PAS le bac d'égouttage.

Pieds

Les pieds de 10 cm (4 po) sont en option pour l'installation de la machine sur un comptoir (numéro de pièce : KLP24A). Les pieds en caoutchouc doivent être retirés afin de pouvoir fixer solidement les pieds. Ils ne doivent pas être utilisés sur le distributeur HID lorsque celui-ci est placé sur un support de machine.

Remarque : Utilisez uniquement des pieds d'une hauteur minimale de 10 cm (4 po).

Installation

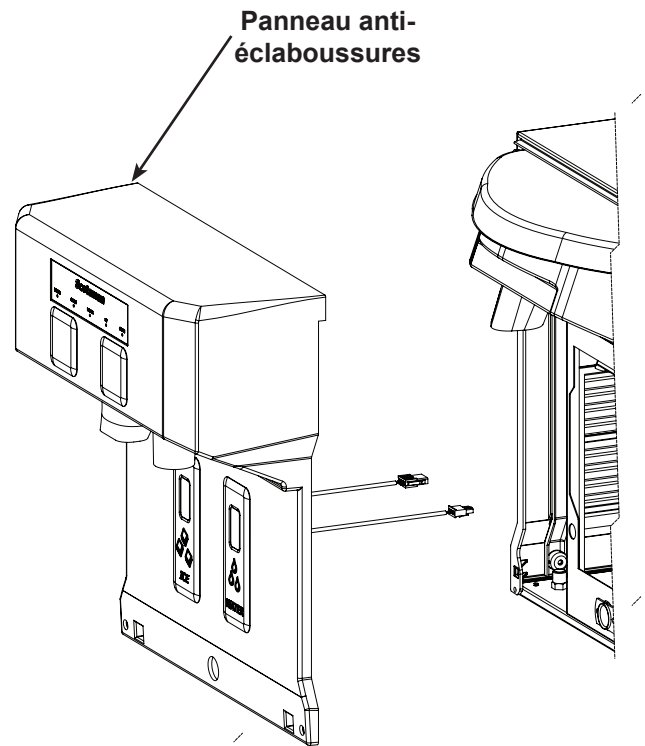
Le bac d'égouttage et le porte-gobelet sont montés lorsque la machine est livrée, mais ils peuvent être facilement retirés. Il est recommandé de retirer le panneau avant et de s'assurer qu'aucune pièce ne se soit desserrée et qu'aucune pièce ne frotte sur une partie de la machine, avant de procéder à l'installation de la machine.

Retrait du panneau anti-éclaboussures

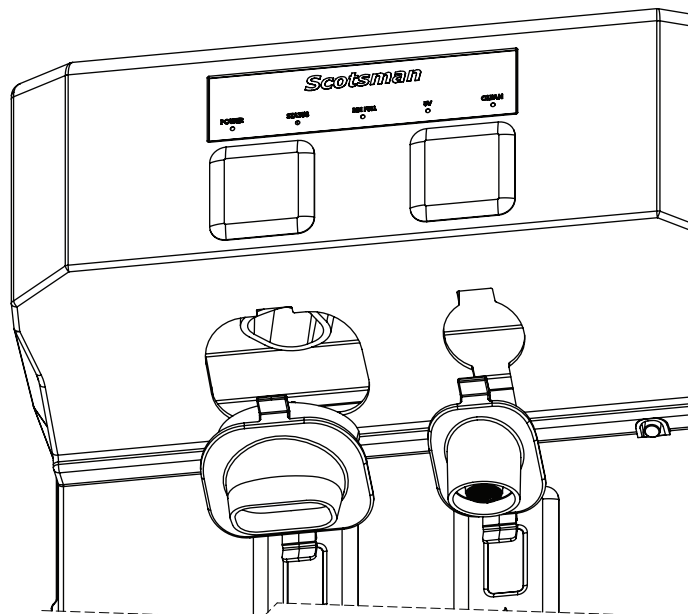
1. Tirez vers l'extérieur sur le bac d'égouttage pour le dégager de la machine.
2. Retirez le panneau supérieur.
3. Faites pivoter le bas du panneau vers l'avant, débranchez les connecteurs du capteur ou de l'interrupteur et séparez le panneau de la machine.
4. Retirez les vis en haut et en bas du panneau avant.
5. Tirez les leviers situés à l'arrière des goulottes pour détacher les goulottes de distribution de glaçons et de l'eau et les retirer du panneau.
6. Soulevez le panneau anti-éclaboussures pour le retirer de la machine.
7. Assurez-vous qu'aucune pièce ne soit desserrée et qu'aucune pièce ne frotte sur une partie de la machine Rectifier selon les besoins.
8. Remettez le panneau anti-éclaboussures dans sa position d'origine et fixez le panneau avec les vis fournies.
9. Remettez le bac d'égouttage dans sa position d'origine.

Inspection avant de faire fonctionner la machine

1. Mettez l'armoire de niveau d'avant en arrière et de gauche à droite.
2. Assurez-vous qu'aucune pièce ne soit desserrée et qu'aucune pièce ne frotte sur une partie de la machine.
3. Remettez le panneau anti-éclaboussures et les goulottes dans la machine.



HID207AX illustré, HID207ABX similaire



HID207

Manuel d'utilisation

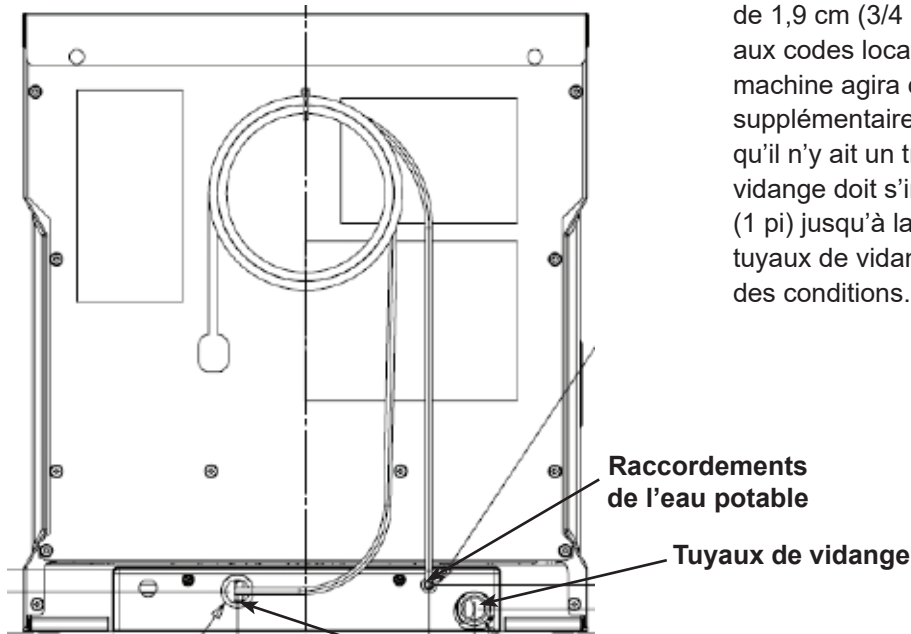
Installation pour l'eau et le système de vidange

L'installation doit être effectuée par un installateur de machine à glaçons expérimenté. Appelez le numéro indiqué au verso de ce manuel ou rendez-vous sur le site Web de Scotsman, www.scotsman-ice.com pour trouver un distributeur local ou une société d'entretien.

La machine a besoin d'électricité, d'eau et d'un système de vidange. Localisez le raccord d'alimentation en eau situé au bas de l'arrière de l'armoire et procurez-vous le raccord approprié pour connecter l'alimentation en eau.

Raccordements de tuyauterie

- Raccordements à l'eau potable : Tube en polyéthylène de 0,63 cm (1/4 po) O.D. x 1,73 cm (6 pi) de longueur



- Raccordement pour la vidange de l'armoire 1,9 cm (3/4 po) I.D. Tube pour accepter un raccord barbelé de 1,9 cm (3/4 po), non inclus.

Tous les modèles :

1. Connectez l'alimentation en eau potable au tube situé en bas à l'arrière de la machine. Des filtres à eau peuvent être utilisés mais ne sont pas obligatoires. Il est fortement recommandé d'installer un robinet d'arrêt manuel à portée de vue près de la machine.

Notez que les filtres à eau au charbon actif ou au charbon de bois sont utilisés pour les problèmes de goût et d'odeur, mais éliminent également tout chlore que l'agence locale de l'eau aurait pu ajouter pour purifier l'eau. Cela peut nécessiter une désinfection plus fréquente de l'équipement.

2. Connectez le tuyau de vidange au raccord de vidange placé au centre, à l'arrière de l'armoire. Utilisez un tube de 1,9 cm (3/4 po) et utilisez un matériau conforme aux codes locaux en vigueur. Le bac de vidange de la machine agira comme un évent interne, aucun évent supplémentaire ne devrait être nécessaire à moins qu'il n'y ait un très long parcours horizontal. Le tube de vidange doit s'incliner de 0,63 cm (1/4 po) par 0,30 m (1 pi) jusqu'à la vidange du bâtiment. L'isolation des tuyaux de vidange est recommandée pour la plupart des conditions.

HID207

Manuel d'utilisation

Installation : Raccordements électriques

1. Branchez l'appareil sur une prise dédiée de 15 ampères. La machine doit être le seul appareil branché sur le circuit.
2. Assurez-vous que la prise soit correctement mise à la terre et est en bon état.

Remarque : Les prises usées ou desserrées doivent être remplacées car elles peuvent entraîner un fonctionnement irrégulier de la machine.

Ne pas utiliser de rallonge.

Ne coupez pas la fiche de terre du cordon d'alimentation.

L'utilisation de prise de fuite de terre n'est pas recommandée. Un disjoncteur de défaut à la terre doit être utilisé si un défaut à la terre est requis.

3. Utilisez les services d'un électricien agréé si nécessaire et conformez-vous aux codes locaux et nationaux en vigueur.
4. Positionnez la machine à son emplacement définitif.
5. Mettez la machine de niveau d'avant en arrière et de gauche à droite.

HID207

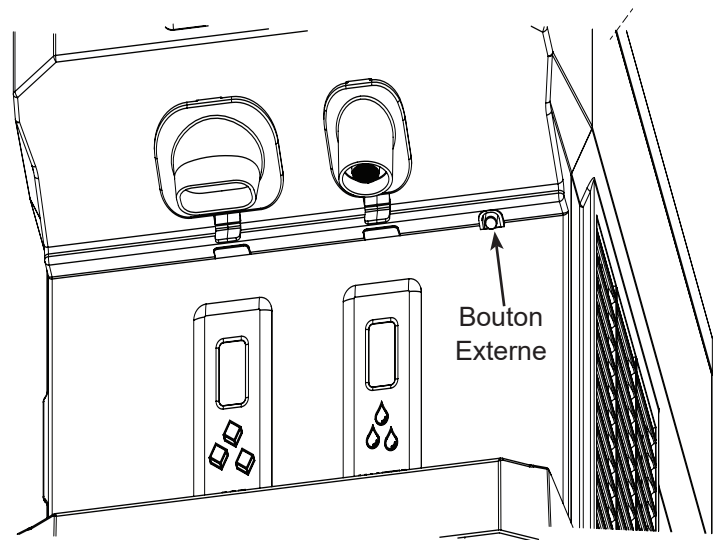
Manuel d'utilisation

Mise en service initiale

1. Retirer les panneaux : du dessus et du côté gauche.
2. Ouvrez l'eau, assurez-vous que l'eau pénètre dans le réservoir d'eau, que le réservoir se remplisse, puis que l'eau s'arrête. Contrôler l'étanchéité. Réparez les fuites avant de continuer.
3. Branchez la machine à glaçons sur son propre circuit ; sans autres appareils. Le voyant d'alimentation s'affichera en vert sur le panneau lumineux.
4. Localisez le Bouton Externe sur le panneau anti-éclaboussures et maintenez-le enfoncé pendant 3 secondes. Ensuite, le voyant d'état s'affichera en vert sur le panneau lumineux, et le processus de fabrication de glaçons commencera. L'air chaud soufflera par le côté droit.
8. Attendez environ une minute pour que le processus de fabrication de glaçons soit terminé, puis débranchez l'alimentation électrique.
9. Retirez les glaçons du bac et désinfectez l'intérieur du bac de stockage de glaçons en l'essuyant avec un désinfectant approuvé localement ou un mélange de 56,70 gr (2 onces) de NuCalgon et 4,73 l (1,25 gallon) d'eau dont la température se situe entre 35 °C et 46° C (95 °F et 115 °F), et laissez sécher à l'air.
10. Rebrancher l'alimentation électrique.
11. Appuyez et maintenez enfoncé le Bouton Externe pendant 3 secondes pour démarrer le processus de fabrication de glaçons.
12. Remplacez toutes les protections et panneaux.

Remarque : Si le processus de fabrication de glaçons ne démarre pas, retirez le panneau latéral droit, retirez le couvercle du boîtier de commande et vérifiez si des erreurs s'affichent. Voir page 15 pour obtenir de plus amples informations.

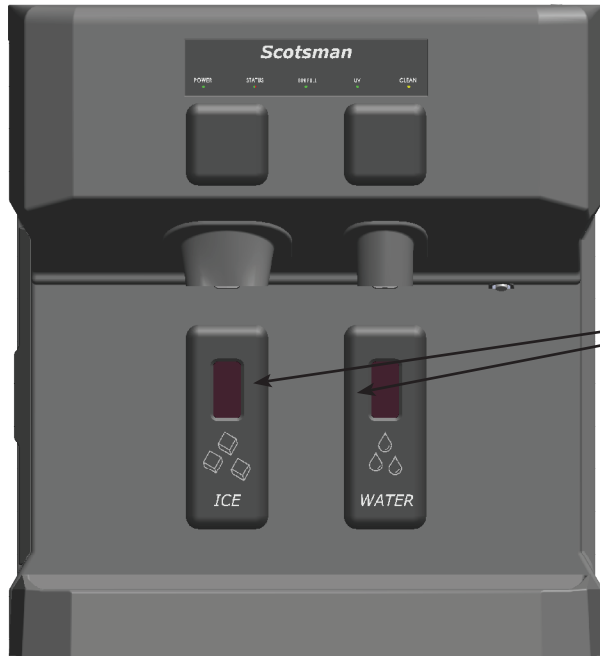
5. Les glaçons commenceront à tomber dans le bac de distribution après quelques minutes. Assurez-vous que la distribution de glaçons fonctionne en tenant un récipient devant le capteur de glaçons sans contact (situé juste en dessous du bec de distribution des glaçons) ou appuyez sur le bouton de distribution de glaçons sur le modèle HID207ABX. Le voyant de distribution de glaçons s'allumera et les glaçons devraient s'écouler du bec lorsqu'un récipient est présenté et cesser de distribuer des glaçons lorsque le récipient est retiré.
6. Assurez-vous que la distribution d'eau fonctionne en tenant un récipient devant le capteur d'eau sans contact ou en appuyant sur le bouton de distribution d'eau sur le modèle HID207ABX. L'indicateur d'eau sera allumé et l'eau coulera lorsqu'un récipient est présenté et s'arrêtera lorsqu'il sera retiré.
7. Appuyez et maintenez enfoncé le Bouton Externe pendant 3 secondes pour arrêter le processus de fabrication de glaçons.
13. Remettez le manuel d'utilisation au propriétaire/ utilisateur, instruisez-le sur les exigences concernant le fonctionnement et l'entretien de la machine. Assurez-vous qu'il sache qui appeler pour le dépannage.
14. Demandez au client de remplir le Formulaire d'évaluation par le client et d'enregistrement de la garantie et de l'envoyer par courrier à Scotsman ou d'enregistrer l'appareil sur le site Web de Scotsman (www.scotsman-ice.com) ou de scanner le code QR derrière le bac d'égouttage.



HID207

Manuel d'utilisation

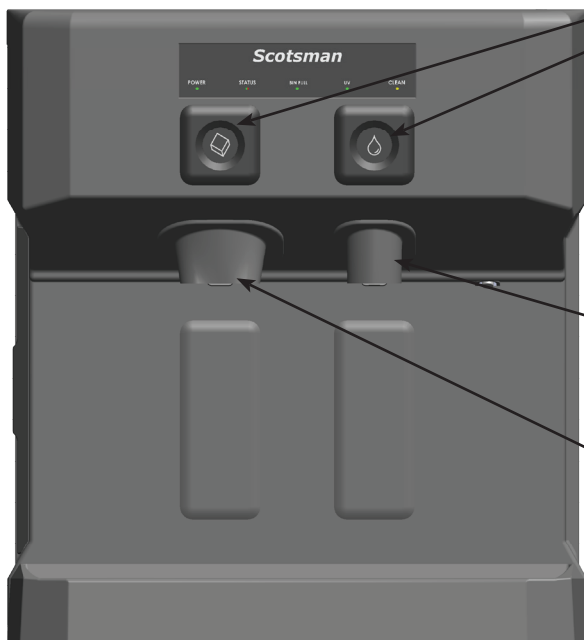
Emplacement des composants



Capteurs de distribution

Bac d'égouttage

HID207AX-1A

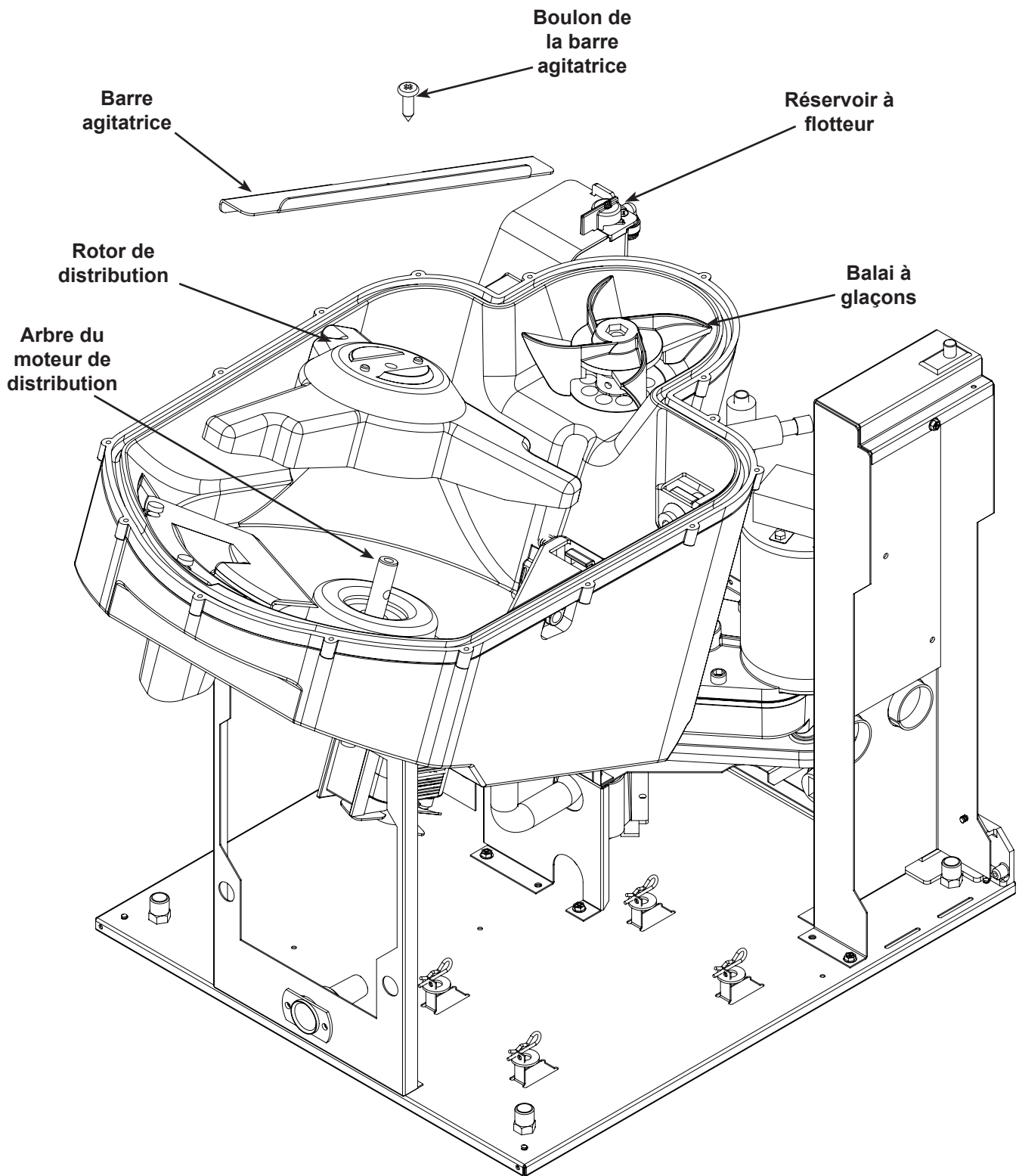


Boutons de distribution

Goulotte pour la distribution de l'eau

Goulotte pour la distribution de glaçons

HID207ABX-1A



HID207

Manuel d'utilisation

Fonctionnement : Distribution de glaçons et d'eau

Pendant la fabrication des glaçons, la glace molle est comprimée à travers une filière puis divisée en longueurs irrégulières. Les glaçons ne seront pas clairs et, en raison de la fusion, une fois distribués, leurs dimensions ou leurs formes ne seront pas uniformes.

La distribution a lieu lorsque le faisceau infrarouge du capteur sans contact rebondit vers le capteur à partir d'un récipient placé directement devant lui ou lorsque le bouton de distribution est enfoncé sur le modèle HID207ABX.

Si le récipient se trouve devant le capteur sans contact sur le côté gauche, le rotor de distribution de glaçons tournera et balayera les glaçons vers la goulotte de distribution de glaçons. Les glaçons continueront à s'écouler par cette goulotte tant que le rotor tournera. La distribution s'arrête lorsque le rotor s'arrête.

Si l'utilisateur ne retire pas le récipient, les glaçons seront distribués pendant 24 secondes puis la distribution s'arrêtera.

Si le récipient se trouve devant le capteur sans contact sur le côté droit, la vanne d'entrée d'eau s'ouvrira et l'eau s'écoulera dans le récipient.

Si l'utilisateur ne retire pas le récipient, l'eau sera distribuée pendant 20 secondes puis la distribution d'eau s'arrêtera.

Remarque : L'eau peut être trouble au début, puis elle s'éclaircit lorsqu'elle est dans le verre. Ceci est normal en raison de la présence d'air dans l'eau et ne constitue pas l'indicateur d'un dysfonctionnement.

Autres remarques :

- Un écoulement occasionnel peut être observé depuis la goulotte de distribution de glaçons. Ceci est normal et provient de la fonte des glaçons à l'intérieur de la goulotte. Un jet d'eau continu provenant de la goulotte à glaçons indique une vidange du bac restreinte.
- Il se peut que les récipients transparents (en verre ou en plastique) n'activent pas les capteurs de distribution. Réessayez avec un récipient opaque.

- Le bac d'égouttage n'est pas un évier, par conséquent, aucun déchet ne doit y être versé. Le café et les sodas ne doivent pas être jetés dans ce bac. Les débris comme les pailles à remuer qui sont jetés dans le bac d'égouttage provoqueront probablement un refoulement et devront être retirés dès qu'ils seront trouvés.
- La distribution et la fabrication de glaçons sont désactivées lorsque l'appareil est éteint au niveau de la commande.
- L'eau distribuée n'est pas refroidie.
- Tous les modèles : Un voyant de goulotte s'allume lorsque la distribution de glaçons ou d'eau est activée.

Essuyage du panneau anti-éclaboussures

Il se peut qu'une distribution involontaire soit activée lorsque vous essuyez le panneau anti-éclaboussures. Un bouton de désactivation a été fourni afin d'éviter ce phénomène. Il est encastré au bas du panneau de la goulotte. Appuyez et relâchez-le pour désactiver la distribution pendant 60 secondes.

Glaçons disponibles

L'utilisateur peut s'attendre à ce que, lorsque le voyant du bac est allumé, environ 3,18 kg (7 livres) de glaçons soient disponibles pour la distribution.

Bruit

Ceci est une machine à glaçons conçue pour un usage commercial. Cette machine contient un compresseur puissant, un réducteur robuste et un ventilateur qui déplace beaucoup d'air. La machine fait du bruit durant la fabrication des glaçons. Tout a été mis en œuvre lors de sa conception pour minimiser le niveau sonore, mais un certain niveau de bruit est inévitable.

Tous les modèles utilisent le même système de commande.

La commande électronique fait fonctionner le compresseur (avec moteur de ventilateur), le moteur d'entraînement de la vis sans fin, le moteur d'entraînement de distribution et l'électrovanne de l'entrée d'eau. Cela permet de surveiller :

- Disponibilité de l'eau dans le réservoir
- Niveau de glaçons dans le bac de stockage
- Ampères de la vis sans fin
- Appel pour la distribution de glaçons
- Appel pour la distribution d'eau
- Activation/désactivation de la distribution
- Toutes les options de commandes installées

Beaucoup d'entre elles sont utilisées pour garantir que la machine ne soit pas endommagée pas pendant son utilisation. Par exemple, il est essentiel de ne pas tenter de fabriquer des glaçons sans eau. Ainsi, si le capteur d'eau est sec, la machine ne produira pas de glaçons.

Commutateurs - il y a cinq commutateurs :

- **Distribution de l'eau** - pour tester la distribution d'eau
- **Distribution de glaçons** - pour tester la distribution de glaçons
- **Allumé/éteint** - pour allumer ou éteindre la machine. Maintenir enfoncé ce bouton pour l'éteindre la machine arrêtera immédiatement la fabrication de glaçons.
- **Nettoyage** - pour activer le mode nettoyage
- **Bouton Externe** - Appuyez et relâchez pour désactiver le capteur sans contact pendant 2 minutes, si équipé
 - » Appuyez et maintenez enfoncé pendant 3 secondes pour éteindre/allumer l'appareil. Si elle est éteinte, la tarière continuera à fonctionner pendant une minute
 - » Appuyez et maintenez pendant 6 secondes, l'unité s'éteindra immédiatement sans délai de vis sans fin

Indicateurs - il y a neuf LED :

- **Alimentation** - s'allume lorsque la commande est alimentée
- **État** - s'allume en mode de fabrication de glace
- **Nettoyage requis** - s'allume lorsqu'il est temps de nettoyer la machine
- **Distr. d'eau détectée** - s'allume lorsque le capteur de distribution d'eau est déclenché*
- **Distr. de glaçons détectée** - s'allume lorsque le capteur de distribution de glaçons est déclenché*
- **Distribution d'eau** - s'allume lorsque l'électrovanne d'entrée d'eau a été alimentée*

- **Distribution de glaçons** - s'allume lorsque le moteur de distribution de glaçons est alimenté*
- **Vis sans fin en marche** - s'allume lorsque le moteur à vis sans fin fonctionne
- **Compresseur** - s'allume lorsque le compresseur est allumé

* Si cela clignote, la limite de temps de distribution d'eau ou de glaçons a été respectée.

Il y a aussi l'affichage des codes, les codes sont :

D - - - - pour éteint

F - - - - pour fabrication de glaçons

b - - - - pour bac plein

E - - - - pour erreur de la commande

C - - - - pour le mode nettoyage

d - - - - pour le mode test

Z - - - - pour l'erreur de courant de verrouillage du moteur de la vis sans fin

3 - - - - pour aucune eau détectée

La commande arrêtera la fabrication de glaçons si un numéro de code est déclenché. Un code clignotant signifie qu'il s'agit d'une condition temporaire. Exemple : Lorsque *F* clignote pendant le processus de redémarrage de la fabrication de glaçons, il arrête de clignoter lorsque le compresseur démarre.

La commande redémarre automatiquement après une coupure d'eau ou une coupure de courant ou lorsqu'un pressostat de réfrigérant se réinitialise automatiquement.

Pour réinitialiser la commande lorsqu'elle a été verrouillée manuellement, appuyez et relâchez le bouton Marche/Arrêt pour l'éteindre, puis appuyez et relâchez-le à nouveau pour l'allumer.

Remarque : Le compresseur ne redémarrera pas pendant 4 minutes après son arrêt.

L'entretien de 5 zones doit être effectué :

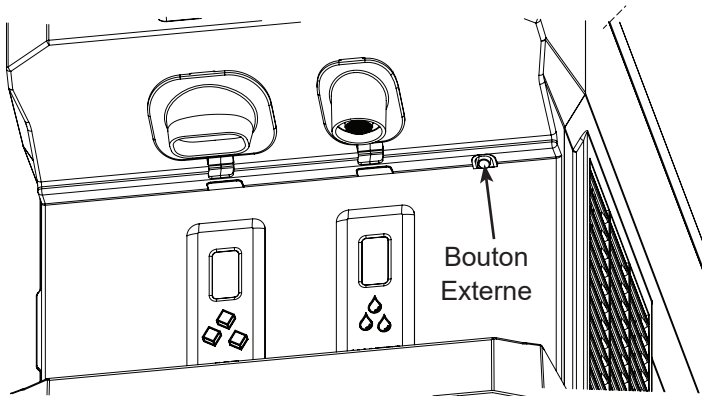
1. Bac d'égouttage, goulottes et système de vidange
2. Filtre de condenseur refroidi par air
3. Bac de distribution de glaçons et rotor
4. Contrôle du niveau de glaçons avec cellule photoélectrique
5. Système d'eau pour la fabrication de glaçons

Bac d'égouttage

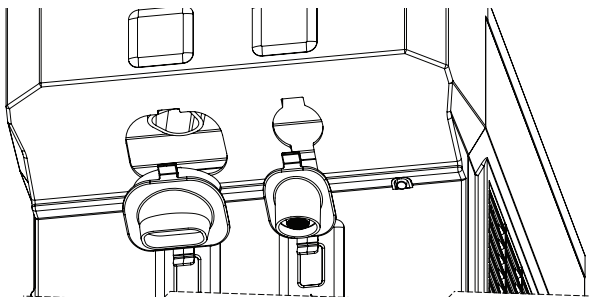
Il est important de garder le bac d'égouttage propre et sans déchets. Retirez les déchets dès que possible, le cas échéant. Versez régulièrement de l'eau chaude dans le bac pour maintenir le système de vidange ouvert.

Du tartre ou de la saleté peuvent s'accumuler sur le bac d'égouttage et le porte-gobelet au fil du temps. Ils peuvent être retirés et frottés dans un évier.

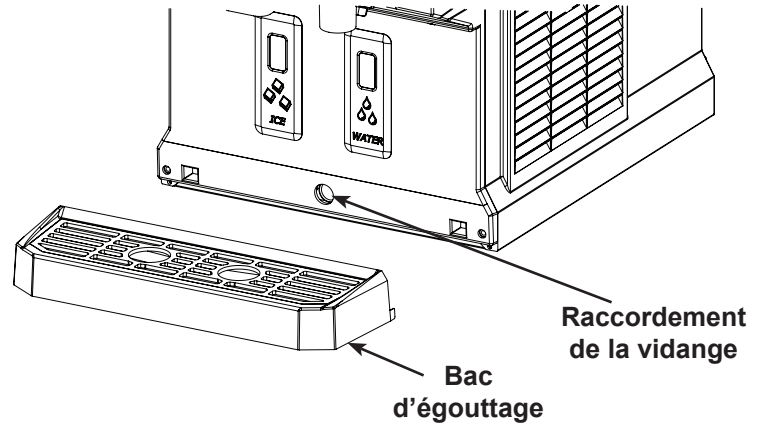
1. Appuyez et maintenez l'interrupteur Bouton Externe pendant 3 secondes pour arrêter le processus de fabrication des glaçons.



2. Détachez les goulottes de distribution et tirez vers le bas pour les retirer.



3. Tirez le bac d'égouttage vers l'avant pour le déconnecter du système de vidange.
4. Bouchez le raccord de vidange avec un chiffon pour l'empêcher de fuir pendant le nettoyage du bac d'égouttage.
5. Lavez le bac d'égouttage et les goulottes de distribution. Utilisez un détartrant pour machine à glaçons si nécessaire pour dissoudre le tartre.



6. Procéder en sens inverse pour réassembler. Assurez-vous que le bac d'égouttage ait été correctement remis en place. Insérez les goulottes jusqu'à ce qu'elles s'enclenchent.
7. Appuyez et maintenez l'interrupteur Bouton Externe pendant 3 secondes pour redémarrer le processus de fabrication des glaçons.

Remarque concernant la désactivation de la vente :

- Appuyez et relâchez pour arrêter automatiquement la vente. et les capteurs d'arrêt, le cas échéant.
- Appuyez et maintenez pendant 3 secondes pour allumer ou éteindre ; laisser à la tarière un moment pour terminer le cycle.
- Appuyez et maintenez pendant 6 secondes pour immédiatement éteindre la machine à glace.

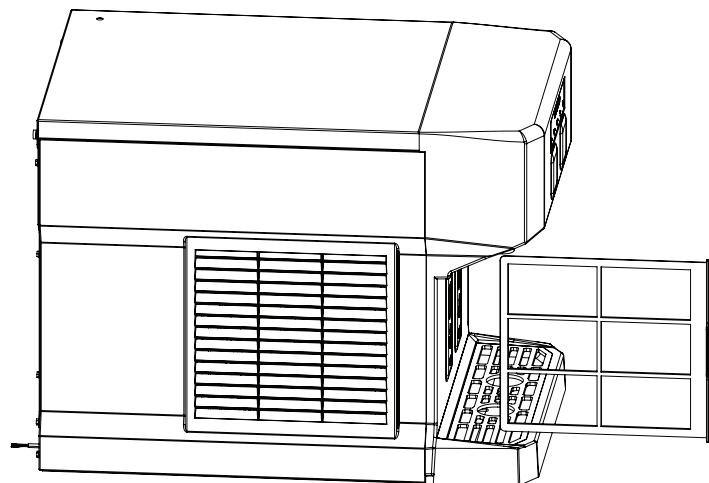
HID207

Manuel d'utilisation

Filtre à air

Le filtre à air situé sur le côté gauche de l'armoire capte une quantité importante de poussière et de peluches pendant le fonctionnement. À mesure que la saleté s'accumule, elle limite progressivement le passage de l'air, ce qui réduit le rendement du système de réfrigération pour fabriquer des glaçons. Nettoyer le filtre à air à intervalles réguliers.

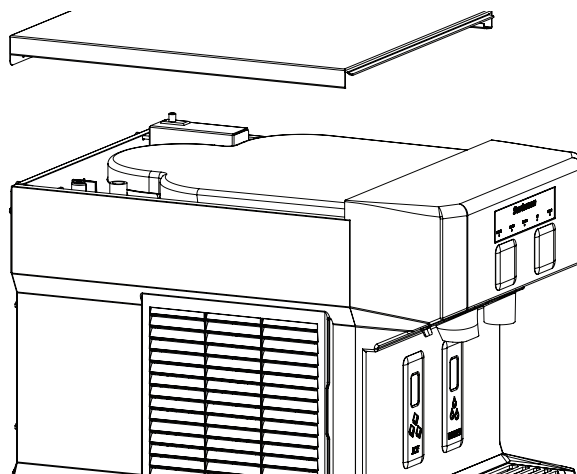
Pour le retirer, tirez-le vers l'avant des louveres. Ne le laissez pas le filtre hors de la machine pendant de longues périodes.



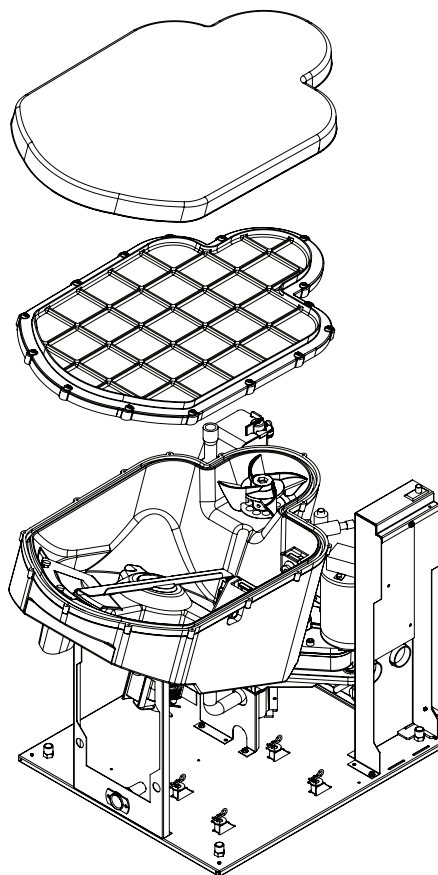
Pour le nettoyer, lavez-le dans un évier. Remettez-le dans la machine une fois propre.

Condenseur

Les ailettes du condenseur peuvent également avoir besoin d'être nettoyées. Retirez le panneau latéral gauche et brossez les peluches et la saleté de la surface du condenseur. Aspirez toute saleté restante. Assurez-vous de ne pas endommager les ailettes du condenseur pendant le nettoyage.



Retirer le panneau supérieur



Retirer la protection du bac

HID207

Manuel d'utilisation

Contrôle du niveau de glaçons

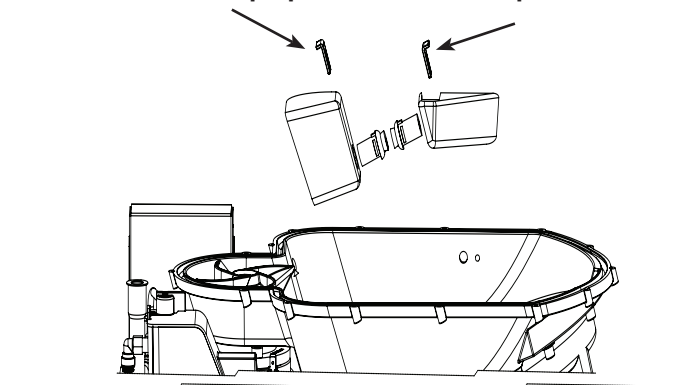
Nettoyez si le contrôleur indique que le bac est plein et qu'il n'y a pas de glaçons entre les capteurs.

1. Éteignez la machine.
2. Retirez le panneau supérieur.
3. Retirez le panneau anti-éclaboussures.
4. Débranchez le contrôle du niveau de glaçons au niveau du connecteur.
5. Retirez les 15 vis à tête Phillips et le couvercle du bac de stockage de glaçons.
6. Tirez chaque clip pour œillet de capteur vers le haut et retirez-le.
7. Poussez les œillets hors du dessus du bac.
8. Retirez chaque capteur de son œillet en caoutchouc. Tirez sur la partie la plus proche de l'œillet, pas sur le fil.
9. Essuyez les lentilles du capteur avec un chiffon doux et propre. Attention, ne rayez pas la lentille. Un détartrant pour machine à glaçons sera nécessaire s'il y a du tartre minéral sur la lentille.

10. Remettez chaque capteur dans un œillet et poussez-le jusqu'à ce qu'il s'enclenche.

11. Inversez le reste des étapes pour remonter le tout.

Clips pour œillets de capteur




Le bac de stockage de glaçons et le rotor doivent être nettoyés et désinfectés régulièrement, au minimum lorsque le système de fabrication de glaçons est nettoyé. Des outils à main et une protection des mains comme des gants en caoutchouc sont recommandés pour cette procédure.

Remarque : Certaines étapes chevauchent la procédure de la page suivante. Cette procédure peut être indépendante du nettoyage du système de fabrication de glaçons ou en faire partie.

Procédure de nettoyage des bacs

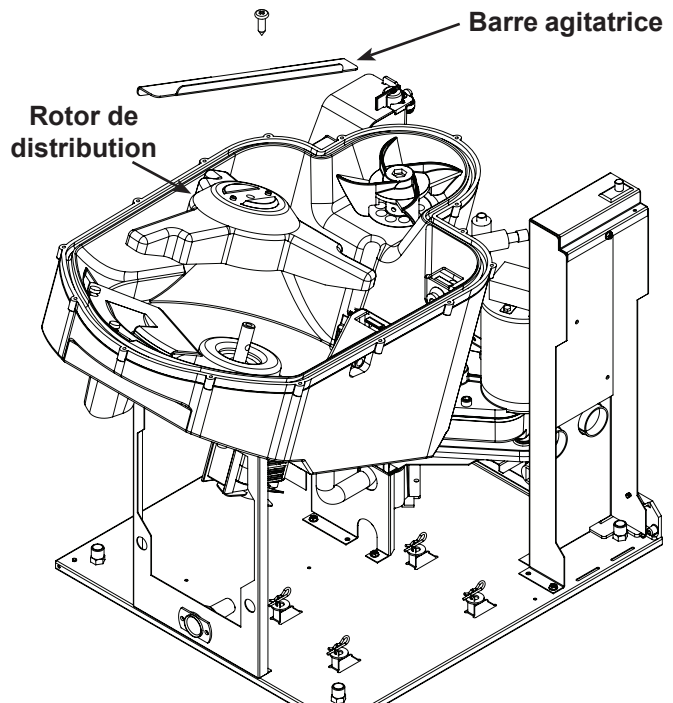
1. Distribuez ou faites fondre tous les glaçons.
2. Débranchez la machine de l'alimentation électrique.
3. Retirez le panneau supérieur
4. Retirez le panneau anti-éclaboussures.

⚠ ATTENTION	
Risque lié aux pièces mobiles.	
Risque de blessure. Débrancher l'alimentation électrique avant de commencer.	

Remarque : Ajoutez lentement seulement 1/2 litre (16 onces) d'eau dans le bac à la fois, car l'excès d'eau s'écoulera par le bec.

5. Débranchez le contrôle du niveau de glaçons au niveau du harnais.
6. Retirez les vis à tête Phillips retenant le couvercle du bac de stockage de glaçons au bac de stockage de glaçons et mettez-les de côté.
7. Retirez le couvercle du bac à glaçons et mettez-le de côté.
8. Retirez le boulon fixant la barre agitatrice et la barre agitatrice et mettez-les de côté.
9. Soulevez et retirez le rotor de distribution, et mettez-le de côté.

10. Mélangez une solution de détartrant pour machine à glaçons, tel que Scotsman Clear 1 et de l'eau potable selon les instructions fournies avec le détartrant.
11. Utilisez un chiffon propre et lavez toutes les surfaces intérieures du bac ainsi que le couvercle du bac, la barre agitatrice, le couvercle de la goulotte et le rotor de distribution avec la solution antitartre pour machine à glaçons. Rincez à l'eau claire.



12. Mélangez une solution de 7,5 litres (2 gallons) de désinfectant approuvé localement. Une solution désinfectante possible pourrait être un mélange de 118 ml (4 onces) de NuCalgon IMS et 9,45 litres (2,5 gallons) d'eau potable chaude (32 °C/90 °F à 43 °C/110 °F).
13. Utilisez un nouveau chiffon propre et lavez toutes les surfaces intérieures du bac ainsi que le couvercle du bac, la barre agitatrice et le rotor de distribution avec la solution désinfectante.
14. Voir page 18 pour continuer avec les étapes pour le nettoyage.

Instructions concernant le nettoyage du système de fabrication et de distribution des glaçons

Des outils à main, des produits de nettoyage et une protection des mains sont recommandés pour effectuer cette procédure.

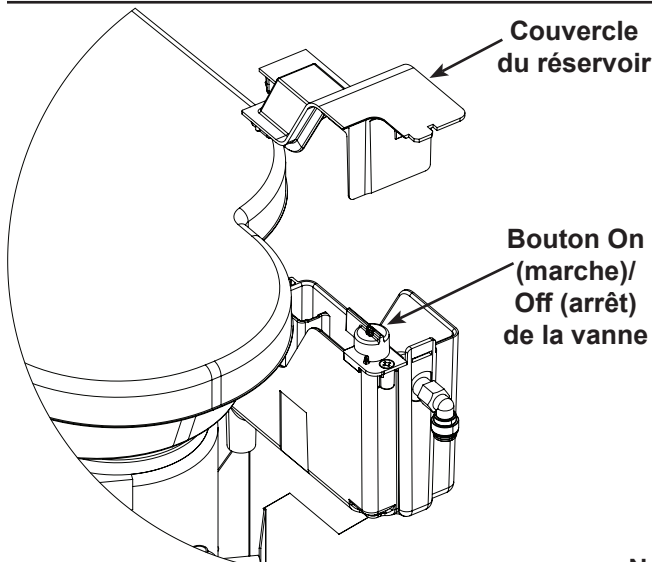
Fréquence : Le temps minimum recommandé entre les nettoyages est de 6 mois. Un voyant Nettoyage requis s'allumera après 6 mois de mise sous tension afin de vous aider à déterminer si la machine n'a pas été nettoyée depuis 6 mois. Le nettoyage de la machine en suivant le processus suivant permettra de réinitialiser ce voyant et la minuterie qui la contrôle. Des nettoyages plus fréquents peuvent être nécessaires en fonction de la teneur en minéraux de l'eau, de la durée d'utilisation et de la contamination potentielle de l'air.

1. Retirez le panneau supérieur pour accéder au réservoir.

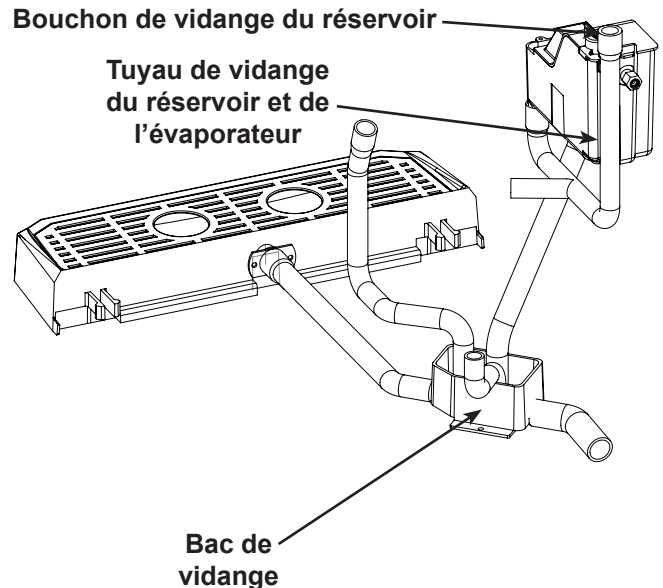
Remarque : Si la machine doit être retirée pour retirer le panneau et accéder au réservoir d'eau, assurez-vous que l'alimentation en eau, le système de vidange et l'alimentation restent connectés.

2. Distribuez et jetez tous les glaçons.
3. Retirez tous les panneaux faciliter l'accès au contrôleur.
4. Enlevez le couvercle du boîtier de commande.
5. Appuyez sur le bouton Off (Arrêt) et le maintenir enfoncé jusqu'à l'arrêt de la machine.
6. Localisez le bouton marche/arrêt du robinet à flotteur. Tournez-le pour couper l'alimentation en eau.
7. Poussez la languette sur le bord avant du couvercle du réservoir et retirez le couvercle.

Remarque : Les fils adjacents sont à basse tension et ne sont pas dangereux.



8. Localisez la vidange du réservoir et retirez son bouchon de vidange pour vider le réservoir et l'évaporateur. Une fois la vidange terminée, remettez le bouchon dans sa position d'origine.

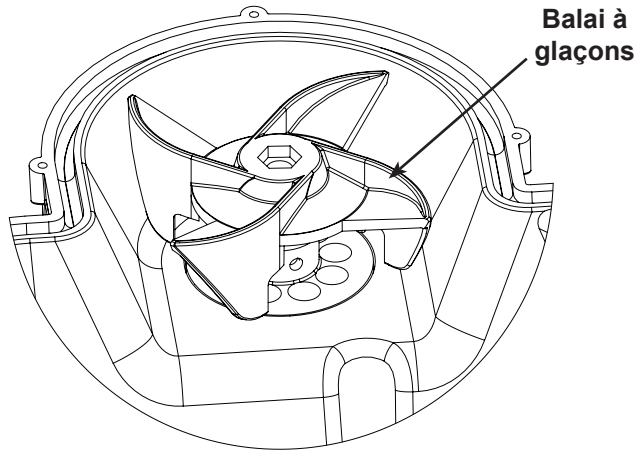


9. Mélangez une solution de détartrant Clear 1 et d'eau : 0,07 litre (2,5 onces) de Clear 1 avec 0,90 litre (32 oz) d'eau potable chaude (90 °F/32 °C à 110 °F/43 °C).

 ATTENTION	<p>Le nettoyant pour machine à glaçons de Scotsman contient des acides. Ces composés peuvent provoquer des brûlures. En cas d'ingestion, NE PAS faire vomir. Faire boire de grandes quantités d'eau ou de lait. Appeler un médecin immédiatement. En cas de contact sur la peau, rincer à l'eau. CONSERVER HORS DE PORTÉE DES ENFANTS</p>
	

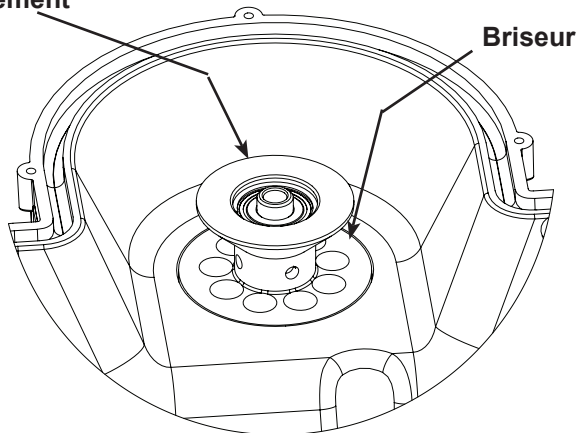
Remarque : Veillez à ne pas renverser de détartrant sur les surfaces à proximité. Essuyez immédiatement tout déversement avec du bicarbonate de soude et de l'eau.

10. Remplissez le réservoir avec la solution antitartre. Cela sera environ 0,22 litre (8 onces).
11. Dévissez (faites pivoter dans le sens inverse des aiguilles d'une montre) et retirez le balai à glaçons.



12. Il s'agit d'un roulement sans graisse. Une oxydation noire peut être présente, ce qui est normal ; essuyez si nécessaire. Inspectez le joint de roulement pour déceler s'il est usé ou rouillé. Appelez le service de dépannage si vous en trouvez.

Roulement



13. Lavez le balai à glaçons et la partie inférieure du briseur avec la solution anticalcaire. Retirez autant de tartre que possible.

<p>⚠ ATTENTION</p> <p>Risque lié aux pièces mobiles.</p> <p>Risque de blessure.</p>	
--------------------------------------------------------------------------------------------	--

Attention : Assurez-vous qu'aucun produit antitartre n'entre en contact avec le roulement.

14. Ensuite remettez le balai à glaçons dans sa position initiale.

15. Appuyez et MAINTENEZ enfoncés les boutons On

(marche) et Off (arrêt) pendant 5 secondes. Le voyant Nettoyage requis clignotera.

16. Après 40 minutes (20 sans fabrication de glaçons et 20 avec fabrication de glaçons), la machine à glaçons et tous les voyants du panneau de commande s'éteindront.
17. Une fois la fabrication de glaçons commencée, ajoutez continuellement une solution antitartre dans le réservoir pour le maintenir à moitié plein.
18. Lorsque toute la solution est utilisée, tournez le bouton du robinet à flotteur sur la position ON (marche). La production de glaçons continuera.
19. Tournez le levier du robinet à flotteur sur Off (arrêt) et tirez à nouveau sur le bouchon de vidange pour vidanger le système, puis remplacez-le.
20. Versez 3,8 litres (1 gallon) d'eau chaude à une température comprise entre 35 °C et 46,11 °C (95 °F à 115 °F) dans le bac de stockage de glaçons pour rincer la vidange et faire fondre tous les glaçons qui ont été fabriqués pendant le processus de nettoyage. Assurez-vous que tous les glaçons aient fondu.

Remarque : Ajoutez lentement seulement 1/2 litre (16 onces) d'eau dans le bac à la fois, car l'excès d'eau s'écoulera par le bec.

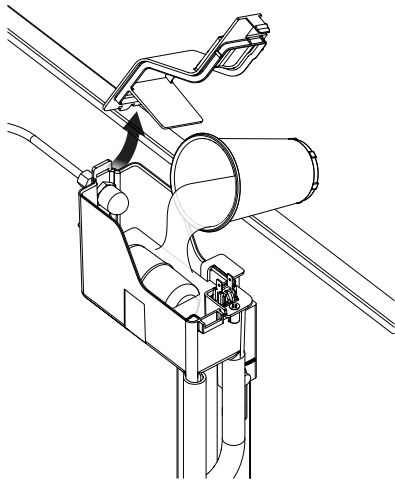
21. Tournez le bouton du robinet à flotteur sur la position ON (marche).
22. Appuyez et relâchez le bouton On (marche) pour redémarrer la fabrication de glaçons.
23. Faites fonctionner la machine pendant 15 minutes puis versez de l'eau sur les glaçons dans le bac jusqu'à ce qu'ils soient tous fondus.

Remarque : Ajoutez lentement seulement 1/2 litre (16 onces) d'eau dans le bac à la fois, car l'excès d'eau s'écoulera par le bec.



24. Tournez le bouton du robinet à flotteur en position d'arrêt.
25. Localisez le drain du réservoir et retirez son bouchon de vidange pour vider le réservoir et l'évaporateur. Une fois la vidange terminée, remettez le bouchon dans sa position d'origine.
26. Tournez le robinet à flotteur en position ON et laissez le réservoir se remplir d'eau. Nettoyer toute trace restante de détartrant.
27. Une fois le réservoir plein, tournez le robinet flotteur en position d'arrêt et retirez son bouchon de vidange pour vider le réservoir et l'évaporateur. Une fois la vidange terminée, remettez le bouchon dans sa position d'origine.
28. Pour continuer, consultez la section Désinfection pour les prochaines étapes.

À effectuer après le détartrage pour terminer le processus de nettoyage du système d'eau.

1. Préparez une solution désinfectante.
2. Mélangez 118 ml (4 oz) de NuCalgon IMS et 9,5 L (2,5 gal) d'eau potable (de 32 °C/90 °F à 43 °C/110 °F) pour créer une solution de 200 ppm.
3. Tournez le bouton d'arrêt d'eau du réservoir pour couper l'alimentation en eau. Si le couvercle du réservoir d'eau a été placé sur le réservoir, retirez-le.



4. Versez la solution désinfectante dans le réservoir jusqu'à ce qu'il soit plein mais sans dépasser le point de débordement environ 0,24 litre (8 oz) et attendez 2 minutes.
5. Appuyez sur le bouton On (marche) mettre la machine à glaçons en marche.

 ATTENTION	
Risque lié aux pièces mobiles.	
Risque de blessure.	

6. Faites fonctionner la machine pendant au moins 15 minutes, en ajoutant du désinfectant dans le réservoir si nécessaire, pour le maintenir au moins à moitié plein, puis appuyez et relâchez le bouton Off (arrêt) pour éteindre la machine.
7. Enlevez le balai à glaçons.

8. Lavez le couvercle du réservoir, le balai à glaçons, le briseur et l'intérieur de la goulotte à glaçons avec la solution désinfectante.

Attention : Ne laissez pas le désinfectant entrer en contact avec le roulement.

9. Remettez le balai à glaçons et le couvercle du réservoir en position normale.
10. Videz la solution du système en tirant sur le bouchon de vidange du réservoir.
11. Remettez le bouchon une fois que la vidange est terminée.
12. Rincez l'intérieur du bac avec de l'eau propre. Assurez-vous que tous les glaçons aient fondu.

Remarque : Ajoutez lentement seulement 1/2 litre (16 onces) d'eau dans le bac à la fois, car l'excès d'eau s'écoulera par le bec.

13. Retirez la barre agitatrice et le rotor de distribution.
14. Retirez les goulottes de distribution de glaçons et d'eau.
15. Laver soigneusement les goulottes de distribution, la barre agitatrice et le rotor de distribution ainsi que toutes les surfaces intérieures du bac, y compris le couvercle du bac et toute autre zone susceptible d'entrer en contact avec les glaçons, avec la solution désinfectante.
16. Rincer à l'eau claire.
17. Remettez les goulottes de distribution, la barre agitatrice et le rotor de distribution dans leur position d'origine.
18. Tournez le bouton d'arrêt de l'eau pour ouvrir l'alimentation en eau.
19. Appuyez et relâchez le bouton On (marche) pour redémarrer la fabrication de glaçons.
20. Remettez le couvercle du bac de distribution sur la machine et fixez-le avec les vis d'origine.
21. Remettez tous les panneaux dans leur position normale et fixez-les avec les vis d'origine.

HID207

Manuel d'utilisation

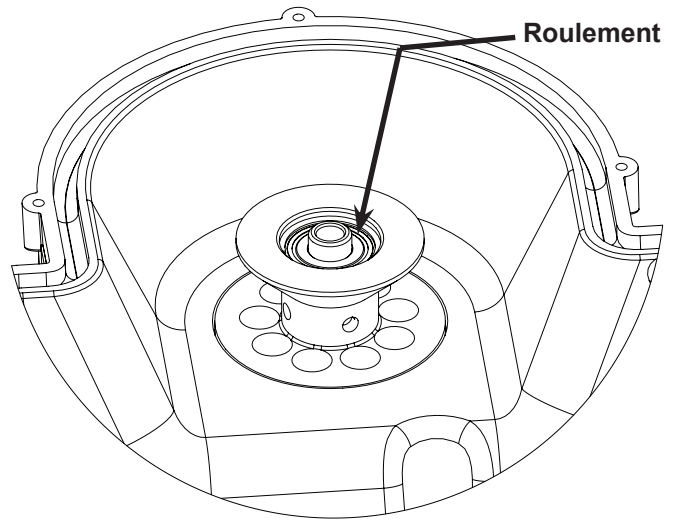
Autres entretiens

La vis sans fin du système de fabrication de glaçons est centrée grâce à des roulements situés en haut et en bas. Elle est également protégée contre les fuites par un joint hydraulique situé en bas.

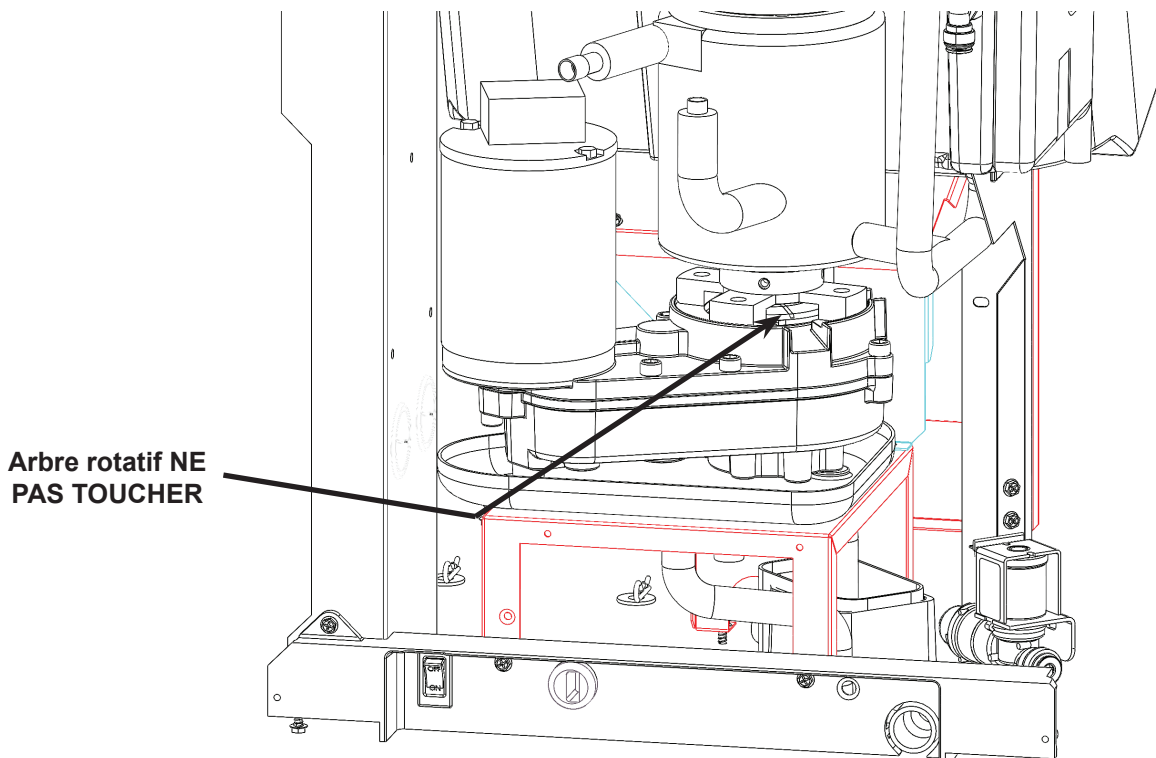
Les roulements sont lubrifiés en permanence et ne nécessitent aucun entretien. Ils peuvent être vérifiés visuellement pour détecter toute usure ou tout dommage évident, mais il n'est pas nécessaire de les lubrifier.

Les roulements du moteur de la vis sans fin et le réducteur sont également lubrifiés en permanence et ne nécessitent aucun entretien.

Le bas du système de fabrication de glaçons doit être vérifié pour détecter toute fuite d'eau. Si de l'eau s'écoule par le bas c'est une indication d'une fuite du joint hydraulique. Une réparation immédiate est requise lorsqu'une fuite du joint d'eau est découverte.



⚠ ATTENTION	
Risque lié aux pièces mobiles.	
Risque de blessure. Ne jamais toucher à l'arbre rotatif.	



HID207

Manuel d'utilisation

Avant d'appeler un réparateur

Pas de glaçons, voyant d'état éteint, voyant d'alimentation allumé – vérifier l'alimentation en eau. Rétablissez l'alimentation en eau de la machine si elle est coupée. Retirez le panneau avant et vérifiez le voyant d'eau. La machine ne détecte pas d'eau s'il est allumé.

Remarque : La machine redémarrera automatiquement lorsque l'approvisionnement en eau sera rétabli.

Remarque : La machine ne fonctionnera PAS si elle est connectée à une alimentation en eau ultra pure. La conductivité doit être supérieure à la limite indiquée (voir page 2).

Pas de glaçons – vérifier l'alimentation. Le contrôleur n'est pas alimenté s'il n'y a pas de lumière sur le panneau de commande. Assurez-vous que la machine soit branchée sur une prise de courant fonctionnant avec la tension correcte.

Remarque : La machine redémarrera automatiquement lorsque l'alimentation sera rétablie. Si la machine ne fonctionne PAS, le bouton marche-arrêt doit être enfoncé pour démarrer la machine.

Pas de glaçons, le bac est plein, voyant allumé - vérifiez s'il y a un message indiquant un « faux » bac plein dû au tartre minéral sur les capteurs optiques, situés en haut de la goulotte à glaçons. L'état vert clair sans production de glaçons est le signe d'un bac « faux » plein.

Nettoyez soigneusement le tartre accumulé sur les capteurs optiques. Ne grattez pas avec un objet pointu.

Aucun glaçon distribué, le voyant « bac plein » est allumé, le bac est plein et le voyant de distribution de glaçons est allumé lorsqu'un récipient est mis sur la station de glaçons. Appeler un réparateur.

Aucune eau distribuée, voyant d'alimentation allumé, voyant de distribution d'eau allumé lorsqu'un récipient est mis sur la station d'eau. Vérifiez l'alimentation en eau et le filtre à eau s'ils sont utilisés, ils peuvent être obstrués. Rétablir la pression de l'eau.

Production lente – assurez-vous que le condenseur ne soit pas sale, nettoyer le condenseur, le cas échéant.

Production lente – vérifiez la température de l'armoire. La production sera lente si la pièce est chaude ou si le débit d'air est limité.

Tous les voyants clignotent : Appeler un réparateur.

Le bac d'égouttage ne se vide pas :

- Retirez le porte-gobelet, puis vérifiez le filtre en dessous et retirez tous les débris autour du filtre.
- Si l'eau commence à couler, remettez le filtre et le porte-gobelet à leur place.
- Si l'eau ne s'écoule toujours pas, insérez doucement une brosse à bouteille dans le raccord de vidange en effectuant un mouvement de va-et-vient, jusqu'à ce que le problème de vidange soit résolu.
- Versez délicatement la solution désinfectante* directement dans le bac d'égouttage afin de désinfecter soigneusement le système de vidange.

Remarque : Assurez-vous de désinfecter régulièrement le bac d'égouttage et assurez-vous de n'y verser que de l'eau (c'est-à-dire pas de café, de soda, etc.) afin d'éviter toute obstruction.

*Désinfectant – mélangez 3,8 litres (1 gallon) de désinfectant approuvé localement (tel que NuCalgon) et versez lentement dans le raccord de vidange pour aider à prévenir de futurs problèmes de drainage. Certains endroits peuvent nécessiter une désinfection plus fréquente.

HID207

Manuel d'utilisation

Pour le technicien chargé de l'entretien - R290

L'entretien du système de réfrigération ne doit être effectué que par un professionnel qualifié et certifié pour travailler sur les systèmes R290.

Voici quelques éléments d'entretien critiques.

Cette liste ne qualifie personne pour entretenir la machine. Il s'agit d'un rappel et d'une liste de contrôle pour le technicien chargé de l'entretien. Important concernant l'entretien des **systèmes R290**:

- Aucun connecteur de fils NE DOIT être utilisé lors du changement d'une pièce électrique.
- Les tubes de traitement doivent être utilisés pour l'accès lors de l'entretien.
- Découpez (avec un coupe-tube) les composants de réfrigération qui doivent être remplacés. NE PAS débraser.
- Étant donné que le système R290 peut être évacué dans l'air pendant l'entretien, la ventilation DOIT se trouver dans une zone exempte de flammes et d'étincelles. Elle doit se trouver près d'une fenêtre ou d'une porte ouverte.
- Un panneau indiquant l'entretien d'un système contenant du propane doit être fixé à la machine pendant l'entretien du système de réfrigération.

- Un détecteur de fuite de gaz combustible doit être utilisé pour informer toute personne se trouvant dans les environs lorsque du propane est présent dans l'air.

Autres informations :

Évacuation : Il est essentiel qu'un système de réfrigération soit exempt de fuites et sec à l'intérieur. Une évacuation complète avec une bonne pompe à vide munie d'une jauge micrométrique est le seul moyen de garantir que le système est sec et prêt à recevoir une charge de réfrigérant.

Chargement : Le système est chargé de manière critique et le type et la quantité appropriés DOIVENT être pesés.

Faites appel à un technicien qualifié connaissant le réfrigérant R290 pour la mise hors service, car des outils et des conteneurs spéciaux sont nécessaires pour le retrait, le transport et l'élimination du propane hautement inflammable.

Il est recommandé d'utiliser de bonnes pratiques d'exploitation afin de maintenir la sécurité et de se conformer aux directives locales, étatiques et fédérales pour une élimination appropriée du produit.

- Assurez-vous que tous les outils et équipements mécaniques nécessaires sont disponibles avant de commencer la procédure.
- Tous les équipements de protection doivent être utilisés à tout moment et vous devez avoir des équipements et des bouteilles de récupération à portée de main.
- Tous les conteneurs utilisés pour la récupération doivent avoir des étiquettes appropriées indiquant qu'ils peuvent être utilisés pour le réfrigérant R290.
- Placez les réfrigérants sur une balance avant de commencer la récupération du réfrigérant. Ne remplissez pas les conteneurs plus de 80 % de leur volume et ne dépassez pas la pression de service du conteneur.
- Avant d'utiliser la machine de récupération, assurez-vous qu'elle soit en bon état de fonctionnement et que les composants électriques soient correctement scellés afin d'éviter tout type d'inflammation.
- Le réfrigérant récupéré ne doit pas être chargé dans un autre système de réfrigération ni mélangé dans un autre conteneur.
- Lorsque vous déplacez du réfrigérant depuis un système, appliquez les bonnes pratiques ; tous les réfrigérants doivent être retirés en toute sécurité.
- Tout le réfrigérant récupéré doit être retourné au fournisseur de réfrigérant afin qu'il procède à une élimination appropriée.
- Si le compresseur ou les huiles de compresseur sont éliminés, assurez-vous qu'ils soient éliminés correctement afin que le réfrigérant inflammable ne reste pas dans le lubrifiant.

SCOTSMAN ICE SYSTEMS

101 Corporate Woods Parkway

Vernon Hills, IL 60061

USA

847-215-4500

800-726-8762

www.scotsman-ice.com