



HID207 - Compact Ice & Water Dispenser

Nugget Ice Machine / Dispenser



Touch-free infrared sensor dispensing option, provides more sanitary operation



Antimicrobial push-button dispensing option, provides quick and efficient operation



24-HR Volume Production

Air Cooled

70°F/21°C 50°F/10°C	Air Water	90°F/32°C 70°F/21°C
196 / 89 lb/kg		160 / 72 lb/kg



Specifications

Model Number	Condenser Unit	Dispensing Method	Storage Capacity lb/kg	Basic Electrical Volts/Hz/Phase	Max. Fuse Size or HACR Circuit Breaker (amps)	Min. Circuit Amps	Energy Consumption KWh/100 lb 90°F(32°C)/70°F(21°C)	Water Usage Gallons/100 lb (liters/45.4 kg)	
								Potable 90°F(32°C)/70°F(21°C)	Condenser 90°F(32°C)/70°F(21°C)
HID207AX-1	Air	Touch-Free Sensor	7/3.17	115/60/1	15	Cord	4.90	12/45.4	-
HID207ABX-1	Air	Button Activated	7/3.17	115/60/1	15	Cord	4.90	12/45.4	-



Nugget Ice

The Original, Chewable Nugget Ice® preferred by customers



7/16" x 5/16" x 3/8"
(1.11 x 0.8 x 0.95 cm)



Certification



Warranty

- 3 Years parts and labor.
- 5 Years parts on the compressor and condenser.
- Warranty valid in North, South & Central America for commercial installations.
- Contact factory for warranty in other regions.
- Residential Applications: 1 year parts and labor

HEALTH AND WELLNESS

UV-LED Sanitation

Internal UV module actively treats intake to ensure clean, refreshing ice and water.

Sanitary Design

AgION® antimicrobial technology is molded into key components to help inhibit the growth of microbes, bacteria, mold, and algae. Sealed refrigeration system minimizes outside airborne contamination.

Easily Removable Components

Fully removable air filter, chutes, sink, grill, and bin allow for easy cleaning and maintenance.

ENHANCED RELIABILITY

Sealed, Maintenance-Free Bearings

Reduces preventative maintenance and extends unit longevity.

Maximum Uptime

Integrated drain cover and consolidated drain ensures reliable operation.

EASE OF USE

AutoAlert™ Indicator Panel

Intuitively displays relevant machine status that is visible across the room.

SmoothStream™ Water Dispensing Technology

Combined with illuminated dispensing, to reduce splashing while keeping the machine and surrounding areas clean.

Compact Design

Features unique contoured sides for enhanced breathability and tight installs.

ADA Compliant Dispensing Area

Touch-free and push-button models meet ADA reach range requirements.

Flexible Configuration

Ice only configuration available with included snap-on panels.

HID207 - Compact Ice Machine / Dispenser



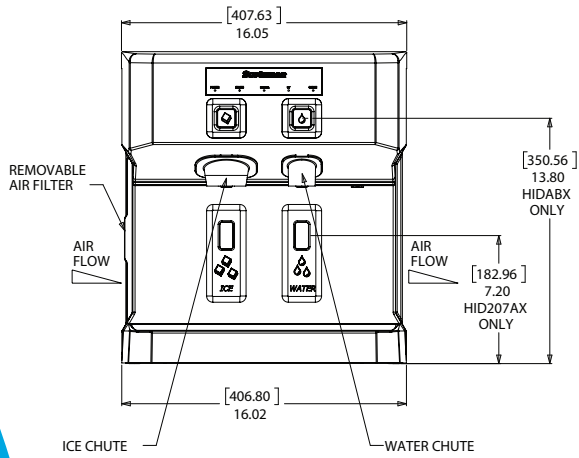
101 Corporate Woods Parkway, Vernon Hills, IL 60061

1-800-SCOTSMAN Fax: 847-913-9844 www.scotsman-ice.com customer.relations@scotsman-ice.com

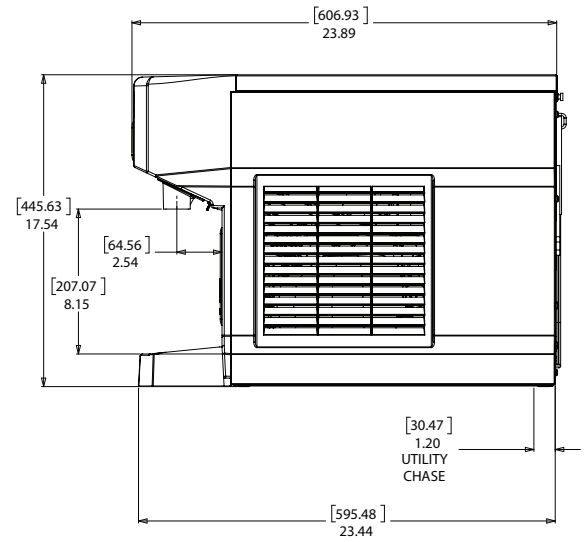
HID207 - Compact Ice & Water Dispenser

Nugget Ice Machine / Dispenser

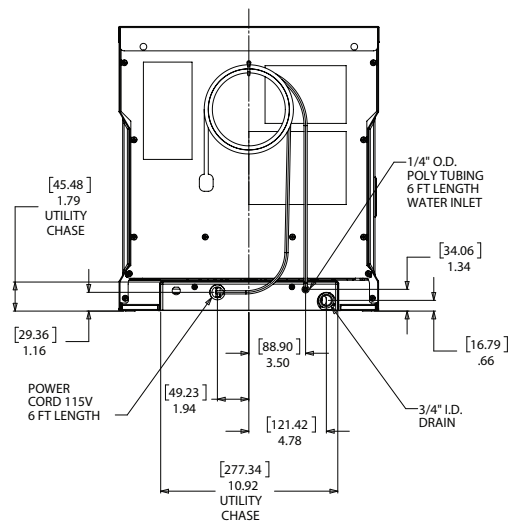
FRONT VIEW



RIGHT SIDE VIEW



BACK VIEW



Installation Note: Allow 6" space at left, back and right side for ventilation and utility connections. All models include 6' power cord with NEMA 5-15P plug.



All Models

Dimensions (W x D x H):

Unit: 16.05" x 23.44" x 17.54"
40.7 x 59.5 x 44.5 cm

Shipping Carton: 25.75" x 27.15" x 23.95"
65.4 x 68.9 x 60.8 cm

Shipping Weight: 80 lb/ 36.29 kg

BTUs per hour: 3,200

Refrigerant: R-290



Accessories

Model Number

Description

KLP24A

4" Adjustable legs, box of 4, plastic with metallic foot.

HSTCD16-A

Machine stand for HID207, with reversible door and shelf.

Scotsman recommends all ice machines have water filtration. See Scotsman water filter specification sheet for details.



Operating Requirements

	Minimum	Maximum
Air Temperatures	50°F (10°C)	100°F (38°C)
Water Temperatures	40°F (4.4°C)	100°F (38°C)
Potable Water Pressures	20 PSIG (1.4 bar)	80 PSIG (5.5 bar)
Electrical Voltage	-5%	+10%

Specifications and design are subject to change without notice.