

# Undercounters

## BACK MOUNTED CONDENSING UNIT (ETB SERIES)

### Refrigerators / Freezers



The Back Mounted Undercounter series is designed to fit under counters or be used as a tabletop workspace. Its front-breathing condensing unit allows installation against walls or in counters. It comes in solid door and drawer variations.



**Front Breathing**

Allows installation against walls or in counters.



**Blizzard R290**

EPA/DOE approved, all-in-one, slide-out cooling cartridge.



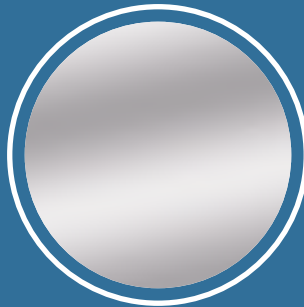
**Digital Control**

Easy settings with audio and visual overheat alarm.



**ECM Fan Motors**

Electronically commutated motors require less energy.



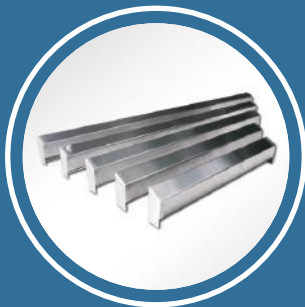
**All Stainless Steel**

High quality finish with 2.5" thick thermal insulation.



**Vacuum Relief**

Equalizes cabinet pressure for smooth door re-entry.



**Optional Backslash**

Pre-installed & sealed 4" high stainless steel barrier.



**Optional Overshelf**

Stainless steel double overshelf for additional storage.



**Other Features**

LED lighting, lockable door, 3" or 5" swivel casters.

# Back Mount Undercounter Freezers – ETB Series

## Back Mounted Condensing Unit



ETBF1



ETBSF2



ETBF2



ETBWF2



ETBF3

### Cabinet Construction

- Heavy duty stainless steel interior / exterior with rounded corners for a hazard-free workspace.
- Open spaced interior with no walls between compartments.
- 16 gauge, high quality stainless steel worktop.
- Galvanized steel bottom and rear.
- 2.5" thick high density polyurethane insulation.
- Four 5" swivel casters with locks on front set.

### Refrigeration System

- Bottom mounted, self-contained and fully detachable Blizzard R290 condensing unit uses environmentally friendly, EPA-compliant R290 refrigerant with zero (0) Ozone Depletion Potential (ODP) and three (3) Global Warming Potential (GWP). Blizzard R290 is easily replaceable and requires no on-site brazing.
- Front air breathing for flexibility in installation.
- Electronically commutated (ECM) fan motors achieve rapid cooling with less energy consumption.
- Full-length air duct and airflow guard ensure optimal cold air circulation.
- Time-initiated and temperature-terminated defrost cycle with defrost heater.
- Large capacity, corrosion-resistant condenser and evaporator coils.
- Self-maintaining, energy-efficient condensate drain pan requires no external drains or electric heaters.
- High performance, auto-reverse condenser fan motor supports compressor ventilation and condenser coil cleaning.
- Pressure relief devices allow rapid cabinet re-entry.
- Pre-wired and ready to plug, 115V/60Hz/1Ph, NEMA 5-15P.

### Doors

- Heavy duty stainless steel interior / exterior.
- 2.5" thick high density polyurethane insulation.
- Frame heaters prevent exterior moisture build up.
- Self-closing with adjustable torsion system for a positive seal.
- Snap-in magnetic gasket for ease of cleaning.
- High strength, recessed handles.
- Pre-installed locks keep your items safe from theft.

### Shelving

- Two epoxy coated, steel wire shelves per section.
- Height adjustable stainless steel clips.

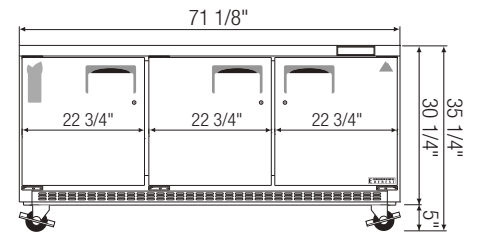
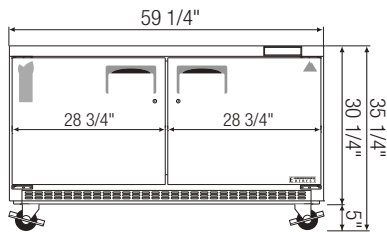
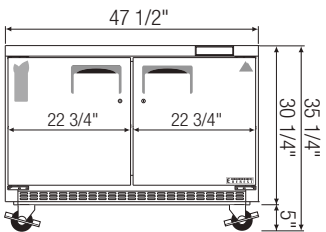
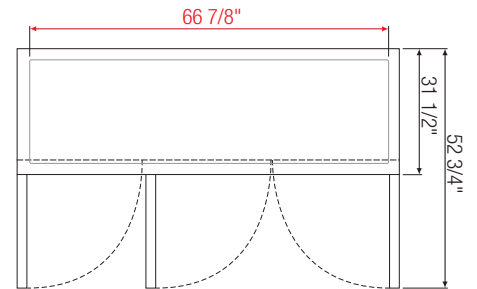
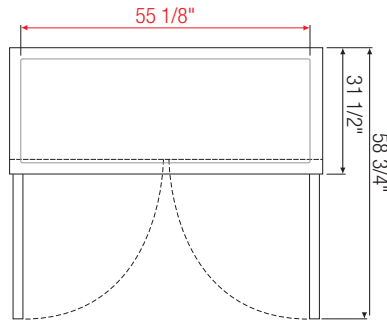
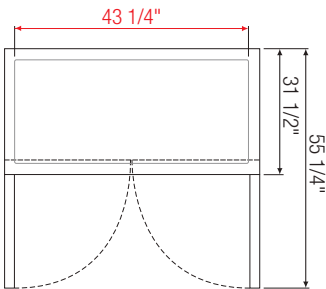
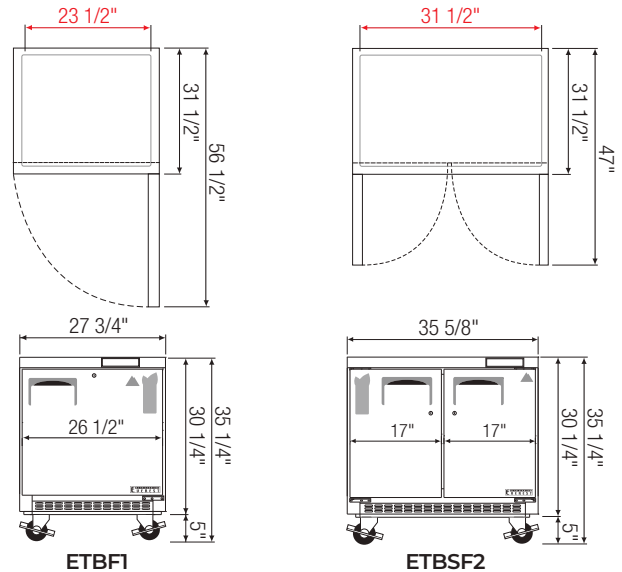
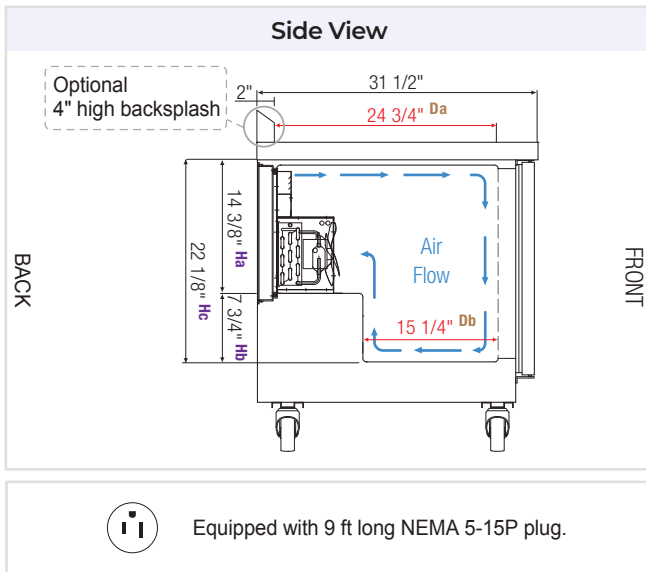
### Temperature Control

- Multi-function digital controller with easy to read LED display.
- Factory preset temperature, -4°F. Temp-set range from -10°F to 54°F.
- Audible overheat protection alarm for compressor and condenser coil.

### Options

- 4" high stainless steel backsplash for worktop application.
- NSF certified stainless steel double overshelf (does not apply to ETBF1).
- Additional shelving.
- 3" swivel casters with locks.
- 3.5" – 6" height-adjustable and interchangeable legs.
- Left hinged door (applies to model ETBF1).

↔ = Interior Dimensions   ← → = Exterior Dimensions



ETBF2

ETBWF2

ETBF3

| Model  | Ref/<br>Frz/<br>Dual | # of<br>Doors | Capacity <sup>†</sup><br>(Cu. Ft.) | HP   | BTU/HR <sup>†</sup> | Refrigerant | # of<br>Shelves | Power<br>(V-Hz-Ph) | Amps | Crated<br>Weight<br>(LBS) | Exterior Dimensions<br>(Inches) |        |        |
|--------|----------------------|---------------|------------------------------------|------|---------------------|-------------|-----------------|--------------------|------|---------------------------|---------------------------------|--------|--------|
|        |                      |               |                                    |      |                     |             |                 |                    |      |                           | L                               | D      | H*     |
| ETBF1  | Frz                  | 1             | 7.5                                | 1/3+ | 1,360               | R290        | 2               | 115-60-1           | 4.7  | 195                       | 27 3/4                          | 31 1/2 | 30 1/4 |
| ETBSF2 | Frz                  | 2             | 10                                 | 1/3+ | 1,360               | R290        | 4               | 115-60-1           | 4.7  | 231                       | 35 5/8                          | 31 1/2 | 30 1/4 |
| ETBF2  | Frz                  | 2             | 14                                 | 1/2  | 1,670               | R290        | 4               | 115-60-1           | 4.5  | 269                       | 47 1/2                          | 31 1/2 | 30 1/4 |
| ETBWF2 | Frz                  | 2             | 18                                 | 1/2  | 1,670               | R290        | 4               | 115-60-1           | 4.5  | 320                       | 59 1/4                          | 31 1/2 | 30 1/4 |
| ETBF3  | Frz                  | 3             | 22                                 | 1/2  | 1,670               | R290        | 6               | 115-60-1           | 5    | 363                       | 71 1/8                          | 31 1/2 | 30 1/4 |

\* Height does not include 5" for casters.

† Based on evaporating temperature of 23°F (-5°C) & condensing temperature of 131°F (55°C).

Da, Db Interior Depth   Ha, Hb, Hc Interior Height

Specifications subject to change without notice.

Product dimensions are for general purposes and not absolute value. Product capacity (†) is calculated based on standard industry figures. Slight variations may exist. If dimensions and capacity are critical, please contact Everest Refrigeration.

Frz = Freezer