

Undercounters

SIDE MOUNTED CONDENSING UNIT (ET SERIES)

Refrigerators / Freezers / Dual Temps



The Side Mounted Undercounter series is designed to fit under counters or be used as a tabletop workspace. Its front-breathing condensing unit allows installation against walls. It comes in solid or glass door and drawer variations. A compact, 24" deep version is available for smaller kitchens.



Front Breathing

Allows installation against walls.



Blizzard R290

EPA/DOE approved, all-in-one, slide-out cooling cartridge.



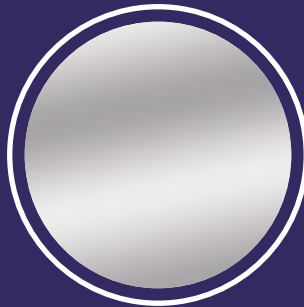
Digital Control

Easy settings with audio and visual overheat alarm.



ECM Fan Motors

Electronically commutated motors require less energy.



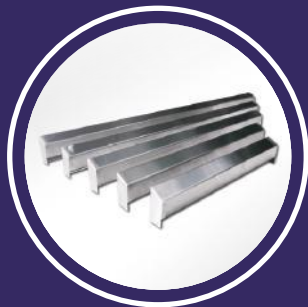
All Stainless Steel

High quality finish with 2.5" thick thermal insulation.



Vacuum Relief

Equalizes cabinet pressure for smooth door re-entry.



Optional Backslash

Pre-installed & sealed 4" high stainless steel barrier.



Optional Overshelf

Stainless steel double overshelf for additional storage.



Other Features

LED lighting, lockable door, 3" or 5" swivel casters.

Side Mount Undercounter Freezers – ET Series

Side Mounted Condensing Unit



ETF1



ETF2



ETWF2



ETF3

Cabinet Construction

- Heavy duty stainless steel interior / exterior with rounded corners for a hazard-free workspace.
- Open spaced interior with no walls between compartments.
- 16 gauge, high quality stainless steel worktop.
- Galvanized steel bottom and rear.
- 2.5" thick high density polyurethane insulation.
- Four 5" swivel casters with locks on front set.

Refrigeration System

- Side mounted, self-contained and fully detachable Blizzard R290 condensing unit uses environmentally friendly, EPA-compliant R290 refrigerant with zero (0) Ozone Depletion Potential (ODP) and three (3) Global Warming Potential (GWP). Blizzard R290 is easily replaceable and requires no on-site brazing.
- Electronically commutated (ECM) fan motors achieve rapid cooling with less energy consumption.
- Full-length air duct ensures optimal cold air circulation.
- Time-initiated and temperature-terminated auto defrost cycle for seamless operation.
- Large capacity, corrosion-resistant condenser and evaporator coils.
- Self-maintaining, energy-efficient condensate drain pan requires no external drains or electric heaters.
- High performance, auto-reverse condenser fan motor supports compressor ventilation and condenser coil cleaning.
- Pressure relief devices allow rapid cabinet re-entry.
- Pre-wired and ready to plug, 115V/60Hz/1Ph, NEMA 5-15P.

Lighting

- Energy efficient silicone coated and shatter-proof LED lighting provides bright, high color illumination with low heat output.

Doors

- Heavy duty stainless steel interior / exterior.
- 2.5" thick high density polyurethane insulation.
- Frame heaters prevent exterior moisture build up.
- Self-closing with adjustable torsion system for a positive seal.
- Snap-in magnetic gasket for ease of cleaning.
- High strength, recessed handles.
- Pre-installed locks keep your items safe from theft.

Shelving

- Two epoxy coated, steel wire shelves per section.
- Height adjustable stainless steel clips.

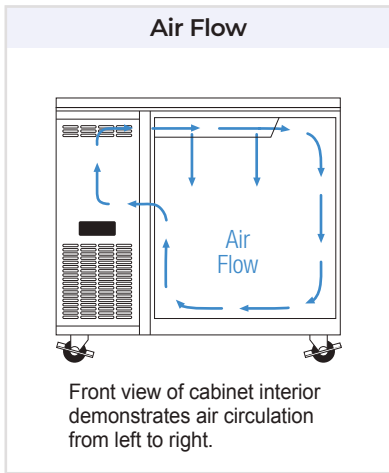
Temperature Control

- Multi-function digital controller with easy to read LED display.
- Factory preset temperature, -4°F. Temp-set range from -10°F to 54°F.
- Audible overheat protection alarm for compressor and condenser coil.

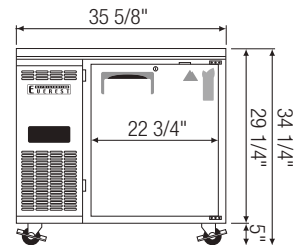
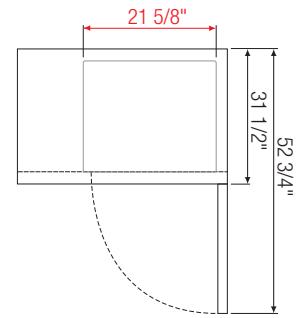
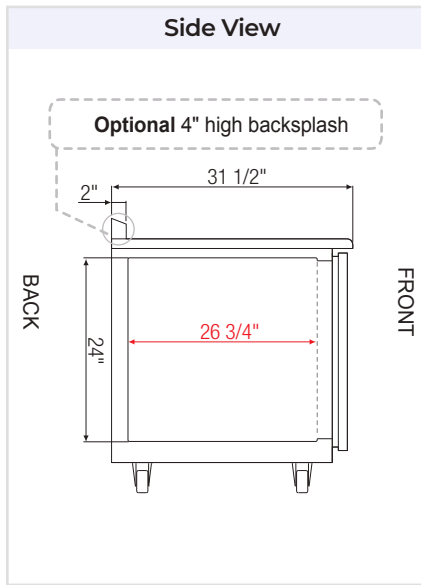
Options

- 4" high stainless steel backsplash for worktop application.
- NSF certified stainless steel double overshef.
- Additional shelving.
- 3" swivel casters with locks.
- 3.5" – 6" height-adjustable and interchangeable legs.

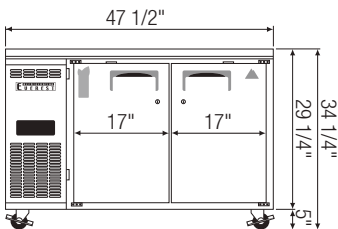
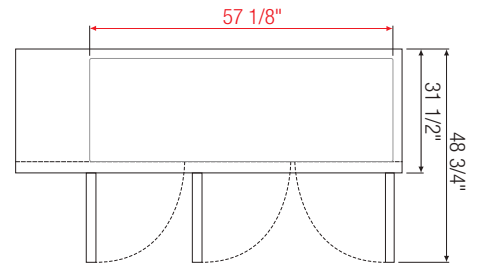
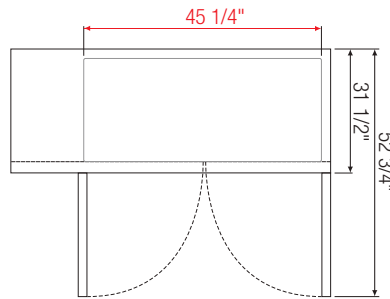
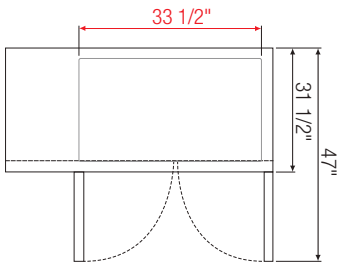
↔ = Interior Dimensions ← → = Exterior Dimensions



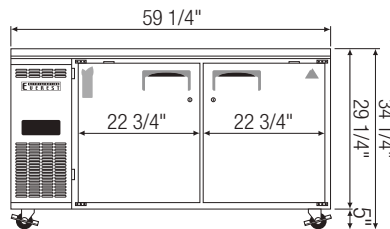
ⓘ Equipped with 9 ft long NEMA 5-15P plug.



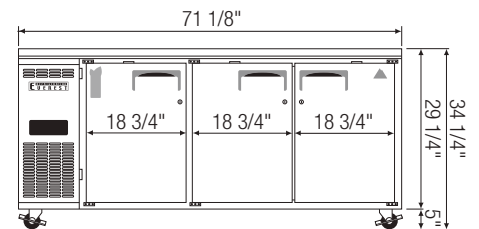
ETF1



ETF2



ETWF2



ETF3

Model	Ref/ Frz/ Dual	# of Doors	Capacity [†] (Cu. Ft.)	HP	BTU/HR [†]	Refrigerant	# of Shelves	Power (V-Hz-Ph)	Amps	Crated Weight (LBS)	Exterior Dimensions (Inches)		
											L	D	H*
ETF1	Frz	1	9	1/3	1,119	R290	2	115-60-1	2	218	35 5/8	31 1/2	29 1/4
ETF2	Frz	2	13	1/2	1,670	R290	2	115-60-1	5	270	47 1/2	31 1/2	29 1/4
ETWF2	Frz	2	18	1/2	1,670	R290	4	115-60-1	5	306	59 1/4	31 1/2	29 1/4
ETF3	Frz	3	22	1/2	1,670	R290	6	115-60-1	5	353	71 1/8	31 1/2	29 1/4

* Height does not include 5" for casters.

† Based on evaporating temperature of 23°F (-5°C) & condensing temperature of 131°F (55°C).

Specifications subject to change without notice.

Product dimensions are for general purposes and not absolute value. Product capacity (†) is calculated based on standard industry figures. Slight variations may exist. If dimensions and capacity are critical, please contact Everest Refrigeration.

Frz = Freezer