

MOTAK

Pizza Prep Table

Model #: MPR-67-X



Product Details

- Eco-friendly R290 refrigerant
- Stainless steel exterior; aluminum interior and back
- Temperature range 33-41°F
- Self-closing doors with 90° stay-open feature
- Adjustable, heavy-duty coated shelves
- Includes (9) 1/3-size food safe, food pans
- Pre-installed 4" swivel casters with brakes
- Electronic control system makes it easy to adjust temperature set point and defrost frequency
- Easy to access condenser coil

Not suitable for installation in non-commercial or residential applications.

Warranty

2 years parts & labor and additional 3 years on compressor

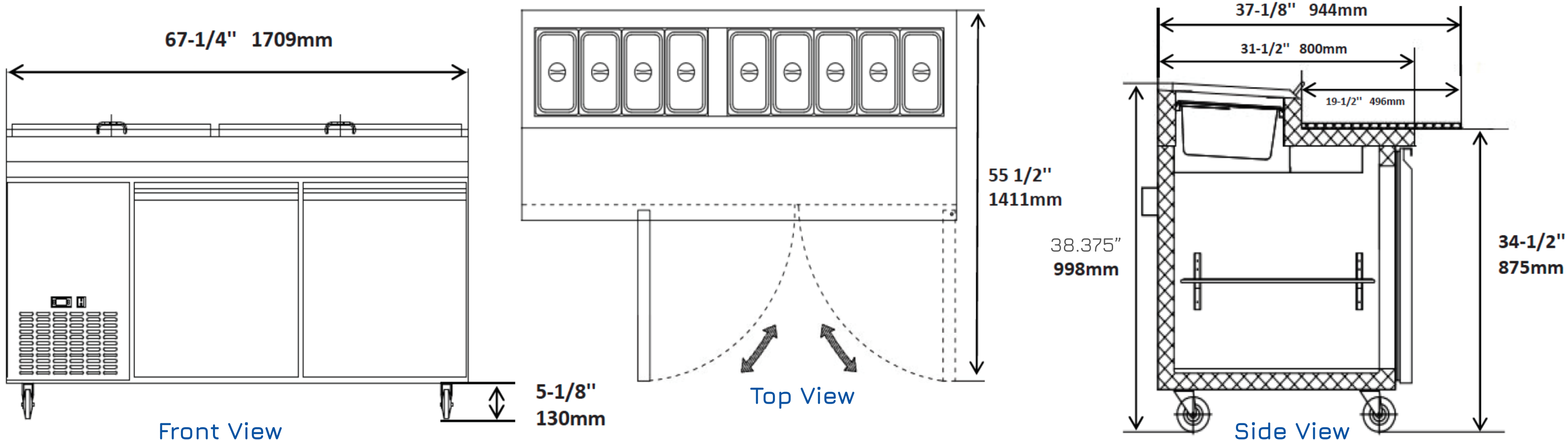
Certifications



Specifications

Model	Doors	Shelves	Cabinet Dims (in)			HP	Voltage	Amp	NEMA Plug	Cord Length (ft)	Crated Weight (lbs)
			Width	Depth	Height						
MPR-67-X	2	2	67.25"	31.5"	38.375"	1/5	115/60/1	6.0	5-15P	10 ft.	435 lbs.

Plan View



MOTAK reserves the right to make changes to the design or specifications without prior notice.