

MOTAK

Pizza Prep Table

Model #: MPR-49-X

Product Details

- Eco-friendly R290 refrigerant
- Stainless steel exterior; aluminum interior and back
- Temperature range 33-41°F
- Self-closing doors with 90° stay-open feature
- Adjustable, heavy-duty coated shelves
- Includes (6) food safe, food pans
- Pre-installed 4" swivel casters with brakes
- Electronic control system makes it easy to adjust temperature set point and defrost frequency
- Easy to access condenser coil

Not suitable for installation in non-commercial or residential applications.



Warranty

WARRANTY: 2 years parts & labor and additional 3 years on compressor

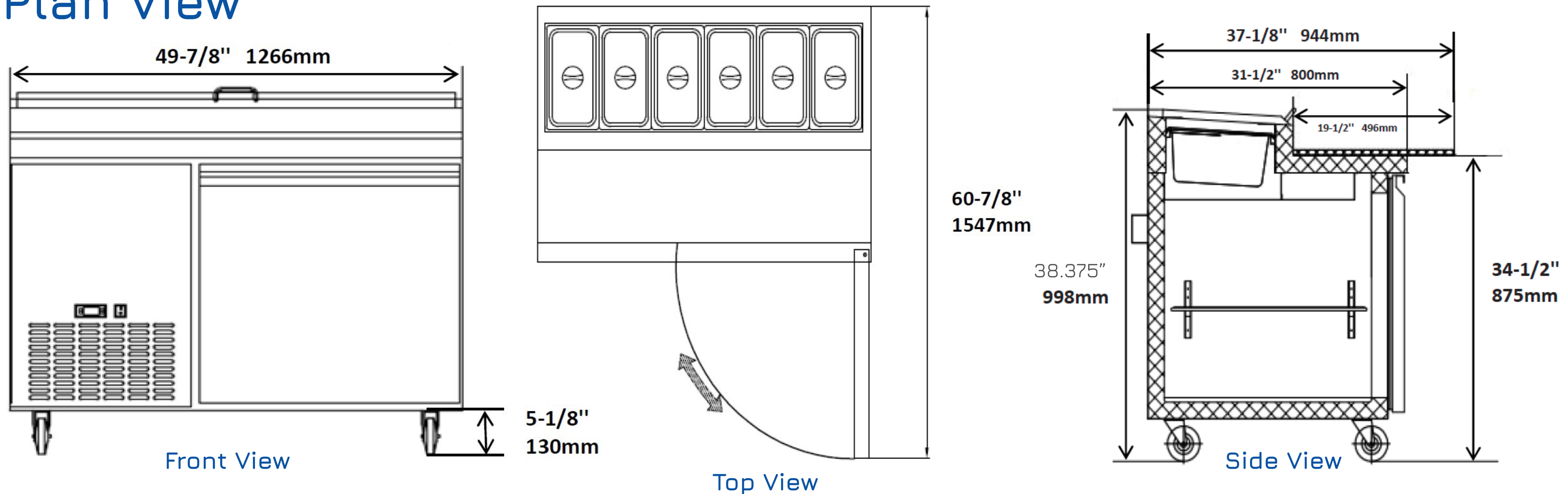
Certifications



Specifications

Model	Doors	Shelves	Cabinet Dims (in)			HP	Voltage	Amp	NEMA Plug	Cord Length (ft)	Crated Weight (lbs)
			Width	Depth	Height						
MPR-49-X	1	1	49.875"	31.5"	38.375"	1/6	115/60/1	4.5	5-15P	10 ft.	354 lbs.

Plan View



MOTAK reserves the right to make changes to the design or specifications without prior notice.