

# MOTAK

## Bottle Cooler

Model #: MBST-65-X

### Product Details

- Eco friendly R290 refrigerant
- Removable bottle opener and cap catcher
- Durable stainless steel top
- Corrosion-resistant, black vinyl-covered steel exterior
- Coated aluminum interior
- Electronic control system makes it easy to adjust temperature set point and defrost frequency
- Temperature range: 33° - 38°F
- Condenser coil is easy to access for cleaning and service
- Factory-installed 3" swivel casters

Not suitable for installation in non-commercial or residential applications.



### Warranty

2 years parts & labor and additional 3 years on compressor

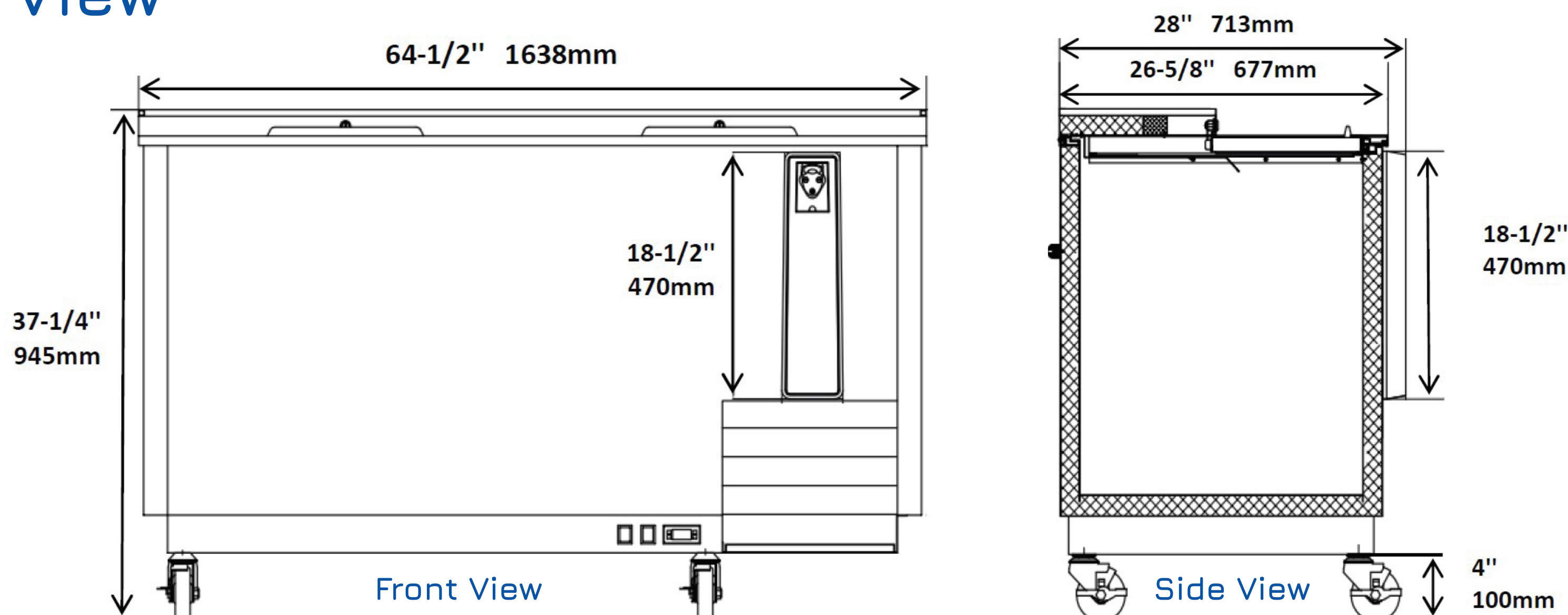
### Certifications



### Specifications

Model	Doors	Dividers	12 oz. Bottles (cases)	12 oz. Cans (cases)	Cabinet Dims (in)			HP	Voltage	Amp	NEMA Plug	Cord Length (ft)	Ship Weight (lbs)
					Width	Depth	Height						
MBST-65-X	2	3	22	32	64.5"	28.125"	37.25"	1/6	115/60/1	2.60	5-15P	10 ft.	286 lbs.

### Plan View



MOTAK reserves the right to make changes to the design or specifications without prior notice.

JAN0621