



COMPETITOR SERIES®

C-10RM-HC



C-12RM-HC



To learn more Scan QR codes



C-10RM-HC



C-12RM-HC

HINGED GLASS DOOR REFRIGERATORS

- Beautiful ergonomic construction
- Digital temperature controller & read-out
- White powder coated steel exterior and interior
- Forced air refrigeration system
- Bottom mount compressor
- Recessed door handles
- LED interior lighting
- Bright lighted top display sign
- Low-E, Dual pane glass**
- Heavy duty ABS extruded door frame
- Pre-installed casters and shelving
- 90 degree hold open door feature for loading products
- Door locks
- All Natural R290 Hydrocarbon Refrigerant
- US Department of Energy Certified
- Migali® Protection Plan: 2 Year Parts & Labor Warranty, 5 Years Compressor Warranty
- Air Pressure Relief Valve for ease of opening doors

| MODEL | DOORS | CAPACITY CU/FT | SHELVES | H/P | AMPS | VOLTAGE | ENERGY CONSUMPTION KWH/24 HR | PLUG TYPE | TEMP RANGE | EXTERIOR DIMENSIONS W X D X H* | INTERIOR DIMENSIONS W X D X H | PACKAGED DIMENSIONS W X D X H | WEIGHT | PACKAGED WEIGHT |
|-----------|-------|----------------|---------|------|------|----------|------------------------------|------------|----------------------|--------------------------------|-------------------------------|-------------------------------|----------|-----------------|
| C-10RM-HC | 1 | 10 | 3 | 1/7+ | 2.1 | 115/60/1 | 1.58 | Nema 5-15P | +33° F (-) +41° F | 24.25 x 24 x 63.25 | 20.25 x 17.9 x 42.9 | 26 x 25 x 62.25 | 189 lbs. | 209 lbs. |
| C-12RM-HC | 1 | 12 | 4 | 1/7+ | 2.1 | 115/60/1 | 1.83 | Nema 5-15P | +33° F (-) +41° F | 24.25 x 24 x 76.25 | 20.25 x 17.91 x 55.9 | 26 x 25 x 77 | 227 lbs. | 251 lbs. |

* Total height includes 3" casters

**Glass panels are rated for installation at an altitude of < 2,000 ft.

FOR COMMERCIAL USE ONLY

NOTE: MIGALI® RESERVES THE RIGHT TO CHANGE SPECIFICATIONS WITHOUT NOTICE

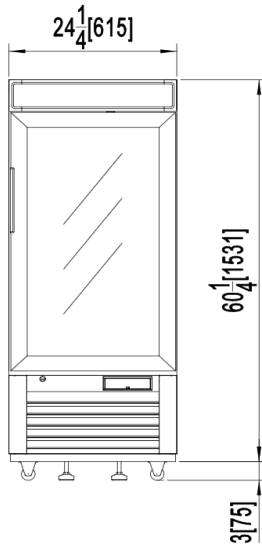


TOLL FREE: 800.852.5292
WEB: www.migali.com

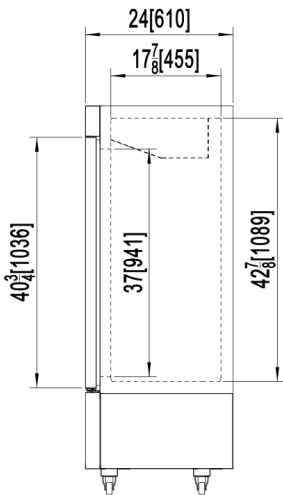
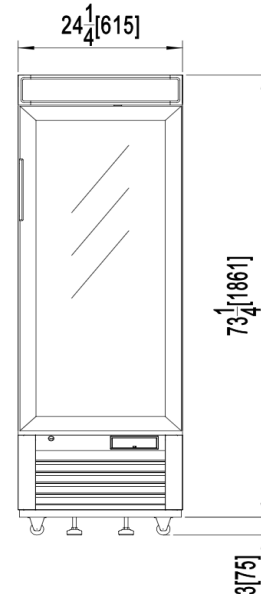


DIMENSIONAL DRAWINGS

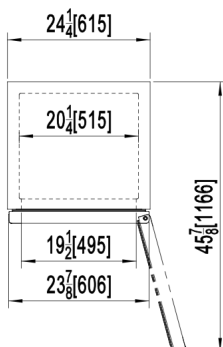
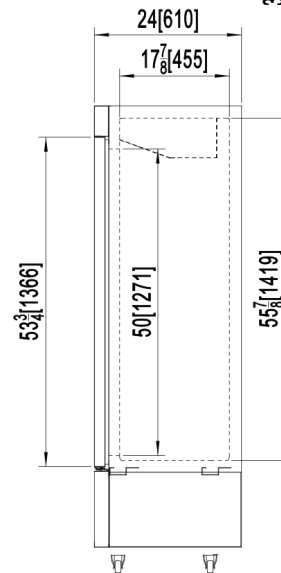
C-10RM-HC



C-12RM-HC



**C-10RM-HC /
C-12RM-HC
SIDE VIEW**



**C-10RM-HC /
C-12RM-HC
TOP VIEW**



MIGALI® REMAINS AN AMERICAN FAMILY COMPANY SINCE 1955



C-23RM-HC



C-49RM-HC



C-72RM-HC



COMPETITOR SERIES®

To learn more Scan QR codes



C-23RM-HC



C-49RM-HC



C-72RM-HC

HINGED GLASS DOOR REFRIGERATORS

- Beautiful ergonomic construction
- Digital temperature controller & read-out
- White powder coated steel exterior and interior
- Forced air refrigeration system
- Bottom mount compressor
- Recessed door handles
- LED interior lighting
- Bright lighted top display sign
- Low-E, Dual pane glass**
- Heavy duty ABS extruded door frame
- Pre-installed casters and shelving
- 90 degree hold open door feature for loading products
- Door locks
- All Natural R290 Hydrocarbon Refrigerant
- US Department of Energy Certified
- Migali® Protection Plan: 2 Year Parts & Labor Warranty, 5 Years Compressor Warranty
- Air Pressure Relief Valve for ease of opening doors

| MODEL | DOORS | CAPACITY CU/FT | SHELVES | H/P | AMPS | VOLTAGE | ENERGY CONSUMPTION KWH/24 HR | PLUG TYPE | TEMP RANGE | EXTERIOR DIMENSIONS W X D X H* | INTERIOR DIMENSIONS W X D X H | PACKAGED DIMENSIONS W X D X H | WEIGHT | PACKAGED WEIGHT |
|-----------|-------|----------------|---------|------|------|----------|------------------------------|------------|-------------------|--------------------------------|-------------------------------|-------------------------------|----------|-----------------|
| C-23RM-HC | 1 | 23 | 4 | 1/7+ | 2.1 | 115/60/1 | 1.7 | Nema 5-15P | +33° F (~) +41° F | 27 x 31.75 x 81.4 | 22.2 x 27.3 x 60 | 29 x 34 x 83 | 293 lbs. | 324 lbs. |
| C-49RM-HC | 2 | 49 | 8 | 1/5 | 3.2 | 115/60/1 | 3.6 | Nema 5-15P | +33° F (~) +41° F | 54.4 x 31.75 x 81.4 | 49.7 x 27.3 x 60 | 57 x 34 x 83 | 485 lbs. | 544 lbs. |
| C-72RM-HC | 3 | 72 | 12 | 1/4+ | 4.2 | 115/60/1 | 5.8 | Nema 5-15P | +33° F (~) +41° F | 81.9 x 31.75 x 81.4 | 77.1 x 27.3 x 60 | 84 x 34 x 83 | 652 lbs. | 758 lbs. |

* Total height includes 3" casters

**Glass panels are rated for installation at an altitude of < 2,000 ft.

FOR COMMERCIAL USE ONLY

NOTE: MIGALI® RESERVES THE RIGHT TO CHANGE SPECIFICATIONS WITHOUT NOTICE

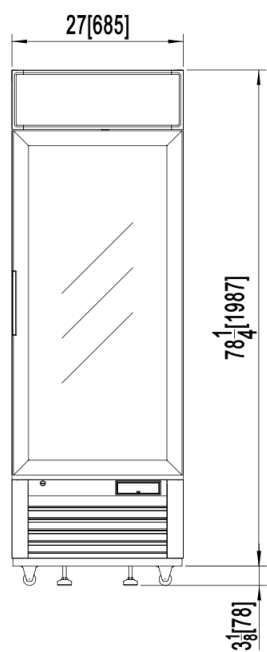


TOLL FREE: 800.852.5292
WEB: www.migali.com

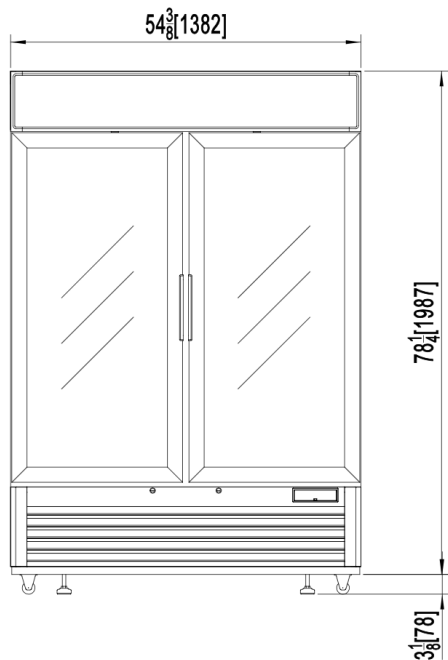


DIMENSIONAL DRAWINGS

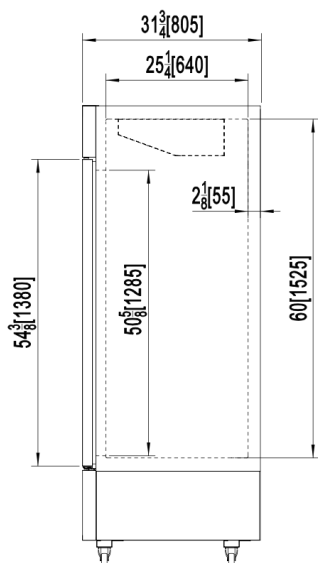
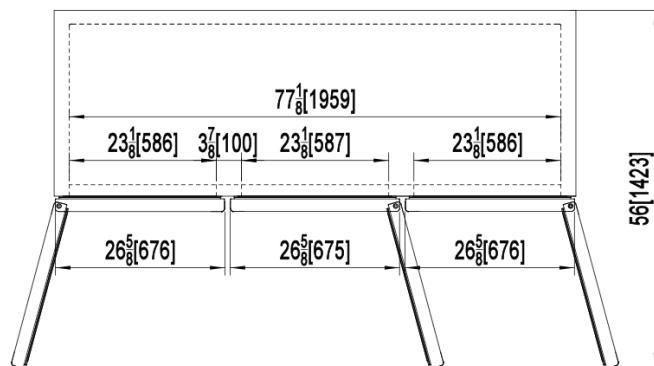
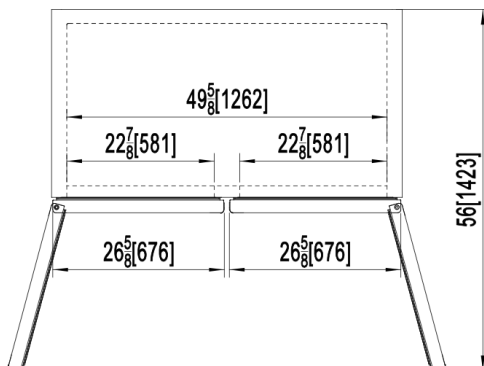
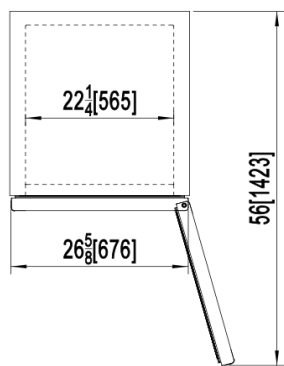
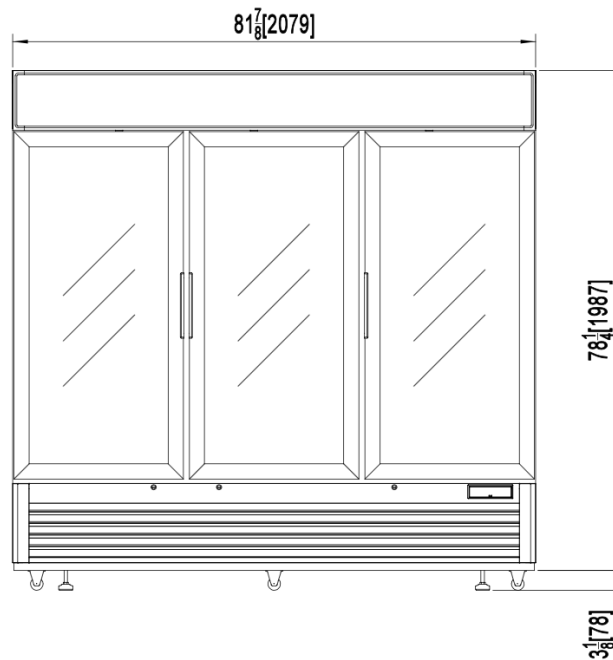
C-23RM-HC



C-49RM-HC



C-72RM-HC



SIDE VIEW (1,2,3) DOOR MODELS



MIGALI® REMAINS AN AMERICAN FAMILY COMPANY SINCE 1955