



Model: **28-260S** Item #: _____ Date: _____
 Project: _____ Qty: _____ Approved By: _____

Heavy Duty 3-1/2" x 3-1/2" Universal Plate Caster With Front Brake Casters

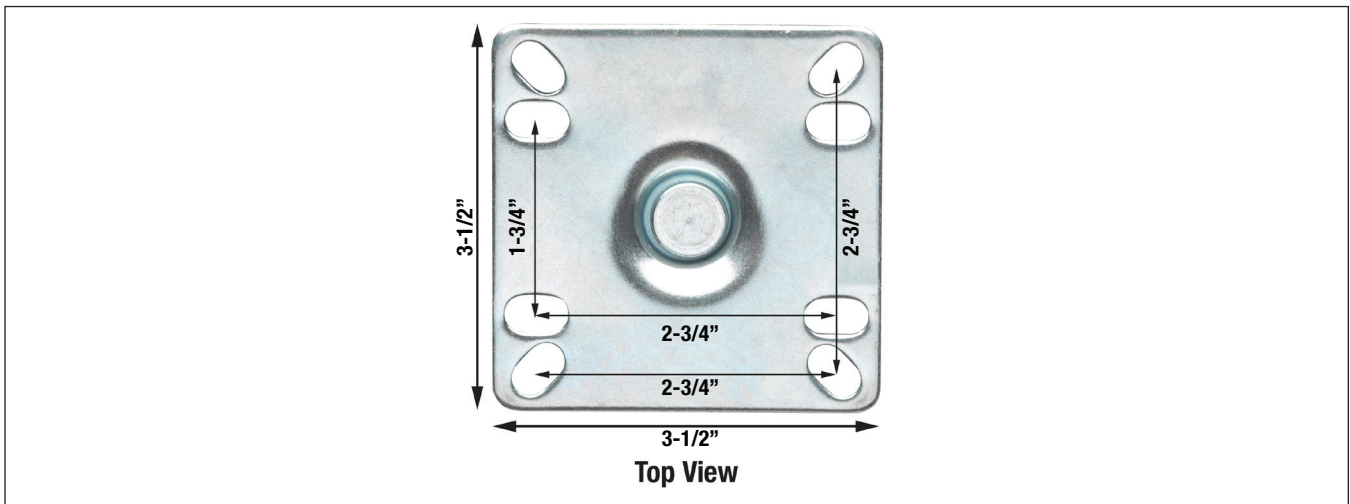


Standard Features

- 3-1/2" x 3-1/2" universal plate
- Heavy Duty weight capacity 500 lbs. per caster
- 5" grease resistant wheel with front brake
- Raises height of equipment 6"
- Fits most manufacturers
- Temperature range of 14°F to 212°F
- 4 pieces per set

Model Number	Hole Centers	Weight/Set of 4 (lbs.)	Load Capacity per Caster	Temp Range	Wheel Size
28-260S	2-3/4" Outer 1-3/4" Inner	14	500 lbs.	14°F to 212°F	5" with front brake

Hole Centers



To find the caster that fits your equipment, go to krowne.com/crossover.