

MOTAK

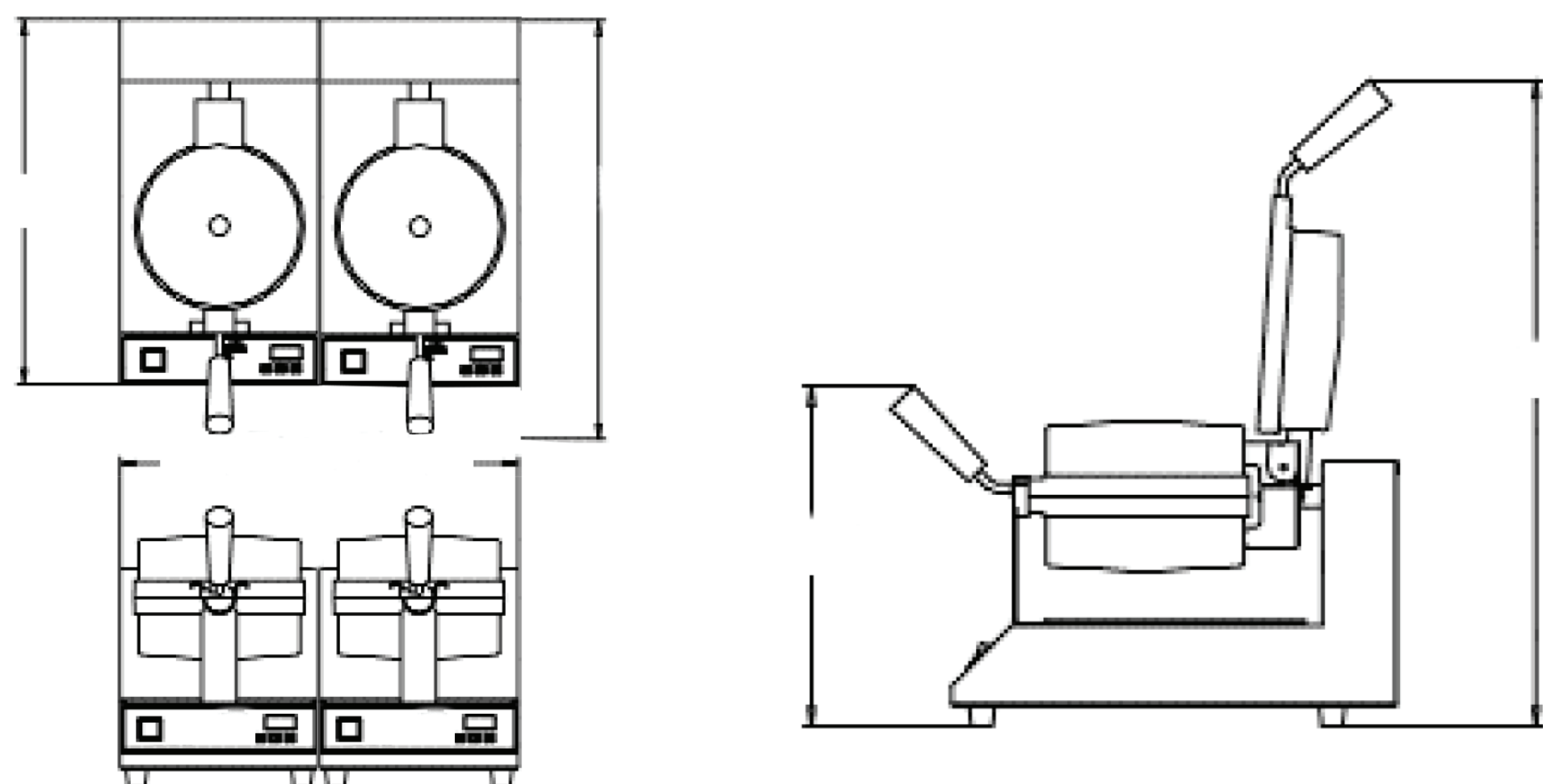
Belgian Waffle Maker

Model #: **WMR7D**

Product Details

- Commercial quality heavy duty stainless steel construction
- Heavy duty non-stick coated aluminum waffle grids
- 500W heating elements in both the top and bottom grids
- Cool to touch bakelite handle
- Removable stainless steel drip tray for easy clean up
- Adjustable digital timer with buzzer to prevent over cooking
- Adjustable temperature range from 250° to 425°F
- 180° rotating hinge for even batter distribution
- Lighted on/off power switch

Not suitable for installation in non-commercial or residential applications.



Specifications

Model	Oven Dims (in)			Voltage	Watts	Amps	Plug
	W	D	H				
WMR7D	20"	18.25"	14"	120V	2000W	16.6	NEMA 5-15P

MOTAK reserves the right to make changes to the design or specifications without prior notice.

MAR1924