



ILLUSTRATED PARTS CATALOG

Designs, materials, weights, specifications, and dimensions for equipment or replacement parts are subject to change without notice.

Bunn-O-Matic Corporation
Post Office Box 3227, Springfield, Illinois 62708-3227
Phone (217) 529-6601 | Fax (217) 529-6644

BUNN-O-MATIC COMMERCIAL PRODUCT WARRANTY

Bunn-O-Matic Corp. ("BUNN") warrants equipment manufactured by it as follows:

- 1) Airpots, thermal carafes, decanters, GPR servers, iced tea/coffee dispensers, MCR/MCP/MCA single cup brewers, thermal servers and ThermoFresh® servers (mechanical and digital) 1 year parts and 1 year labor.
- 2) All other equipment - 2 years parts and 1 year labor plus added warranties as specified below:
 - a) Electronic circuit and/or control boards - parts and labor for 3 years.
 - b) Compressors on refrigeration equipment - 5 years parts and 1 year labor.
 - c) Grinding burrs on coffee grinding equipment to grind coffee to meet original factory screen sieve analysis - parts and labor for 4 years or 40,000 pounds of coffee, whichever comes first.

These warranty periods run from the date of installation BUNN warrants that the equipment manufactured by it will be commercially free of defects in material and workmanship existing at the time of manufacture and appearing within the applicable warranty period. This warranty does not apply to any equipment, component or part that was not manufactured by BUNN or that, in BUNN's judgment, has been affected by misuse, neglect, alteration, improper installation or operation, improper maintenance or repair, non periodic cleaning and descaling, equipment failures related to poor water quality, damage or casualty. In addition, the warranty does not apply to replacement of items subject to normal use including but not limited to user replaceable parts such as seals and gaskets. This warranty is conditioned on the Buyer 1) giving BUNN prompt notice of any claim to be made under this warranty by telephone at (217) 529-6601 or by writing to Post Office Box 3227, Springfield, Illinois 62708-3227; 2) if requested by BUNN, shipping the defective equipment prepaid to an authorized BUNN service location; and 3) receiving prior authorization from BUNN that the defective equipment is under warranty.

THE FOREGOING WARRANTY IS EXCLUSIVE AND IS IN LIEU OF ANY OTHER WARRANTY, WRITTEN OR ORAL, EXPRESS OR IMPLIED, INCLUDING, BUT NOT LIMITED TO, ANY IMPLIED WARRANTY OF EITHER MERCHANTABILITY OR FITNESS FOR A PARTICULAR PURPOSE. The agents, dealers or employees of BUNN are not authorized to make modifications to this warranty or to make additional warranties that are binding on BUNN. Accordingly, statements by such individuals, whether oral or written, do not constitute warranties and should not be relied upon.

If BUNN determines in its sole discretion that the equipment does not conform to the warranty, BUNN, at its exclusive option while the equipment is under warranty, shall either 1) provide at no charge replacement parts and/or labor (during the applicable parts and labor warranty periods specified above) to repair the defective components, provided that this repair is done by a BUNN Authorized Service Representative; or 2) shall replace the equipment or refund the purchase price for the equipment.

THE BUYER'S REMEDY AGAINST BUNN FOR THE BREACH OF ANY OBLIGATION ARISING OUT OF THE SALE OF THIS EQUIPMENT, WHETHER DERIVED FROM WARRANTY OR OTHERWISE, SHALL BE LIMITED, AT BUNN'S SOLE OPTION AS SPECIFIED HEREIN, TO REPAIR, REPLACEMENT OR REFUND.

In no event shall BUNN be liable for any other damage or loss, including, but not limited to, lost profits, lost sales, loss of use of equipment, claims of Buyer's customers, cost of capital, cost of down time, cost of substitute equipment, facilities or services, or any other special, incidental or consequential damages.

392, A Partner You Can Count On, Air Infusion, AutoPOD, AXIOM, BrewLOGIC, BrewMETER, Brew Better Not Bitter, BrewWISE, BrewWIZARD, BUNN Espresso, BUNN Family Gourmet, BUNN Gourmet, BUNN Pour-O-Matic, BUNN, BUNN with the stylized red line, BUNNlink, Bunn-O-Matic, Bunn-O-Matic, BUNNserve, BUNNSERVE with the stylized wrench design, Cool Froth, DBC, Dr. Brew stylized Dr. design, Dual, Easy Pour, EasyClear, EasyGard, FlavorGard, Gourmet Ice, Gourmet Juice, High Intensity, iMIX, Infusion Series, Intellisteam, My Café, Phase Brew, PowerLogic, Quality Beverage Equipment Worldwide, Respect Earth, Respect Earth with the stylized leaf and coffee cherry design, Safety-Fresh, savemycoffee.com, Scale-Pro, Silver Series, Single, Smart Funnel, Smart Hopper, SmartWAVE, Soft Heat, SplashGard, The Mark of Quality in Beverage Equipment Worldwide, ThermoFresh, Titan, trifacta, TRIFECTA (stylized logo), Velocity Brew, Air Brew, Beverage Bar Creator, Beverage Profit Calculator, Brew better, not bitter., Build-A-Drink, BUNNSource, Coffee At Its Best, Cyclonic Heating System, Daypart, Digital Brewer Control, Element, Milk Texturing Fusion, Nothing Brews Like a BUNN, Picture Prompted Cleaning, Pouring Profits, Signature Series, Sure Tamp, Tea At Its Best, The Horizontal Red Line, Ultra are either trademarks or registered trademarks of Bunn-O-Matic Corporation. The commercial trifacta® brewer housing configuration is a trademark of Bunn-O-Matic Corporation.

TABLE OF CONTENTS

| | |
|--|----------------------|
| HOOD, TRUNK, & BASE..... | 4 |
| TANK ASSEMBLY..... | 8 |
| DISPENSE VALVE & SPRAYHEAD..... | 10 |
| TANK FILL & DRAIN..... | 12 |
| TANK FILL & DRAIN WITH SWEET BREW..... | 14 |
| FAUCET ASSEMBLY..... | 18 |
| ELECTRICAL COMPONENTS..... | 20 |
| FUNNELS..... | 24-26 |
| | |
| ITCB-DV..... | Dual Voltage Machine |
| ITCBA..... | 230 Volt Machine |

| Fraction | Decimal | | Fraction | Decimal |
|-------------|---------|--|--------------|---------|
| 1/16 | 0.063 | | 9/16 | 0.563 |
| 1/8 | 0.125 | | 5/8 | 0.625 |
| 3/16 | 0.188 | | 11/16 | 0.688 |
| 1/4 | 0.250 | | 3/4 | 0.750 |
| 5/16 | 0.313 | | 13/16 | 0.813 |
| 3/8 | 0.375 | | 7/8 | 0.875 |
| 7/16 | 0.438 | | 15/16 | 0.938 |
| 1/2 | 0.500 | | 1 | 1.000 |

TIPS: _____



To **Search/Find** content in this document, use "**Ctrl+F**" (PC)

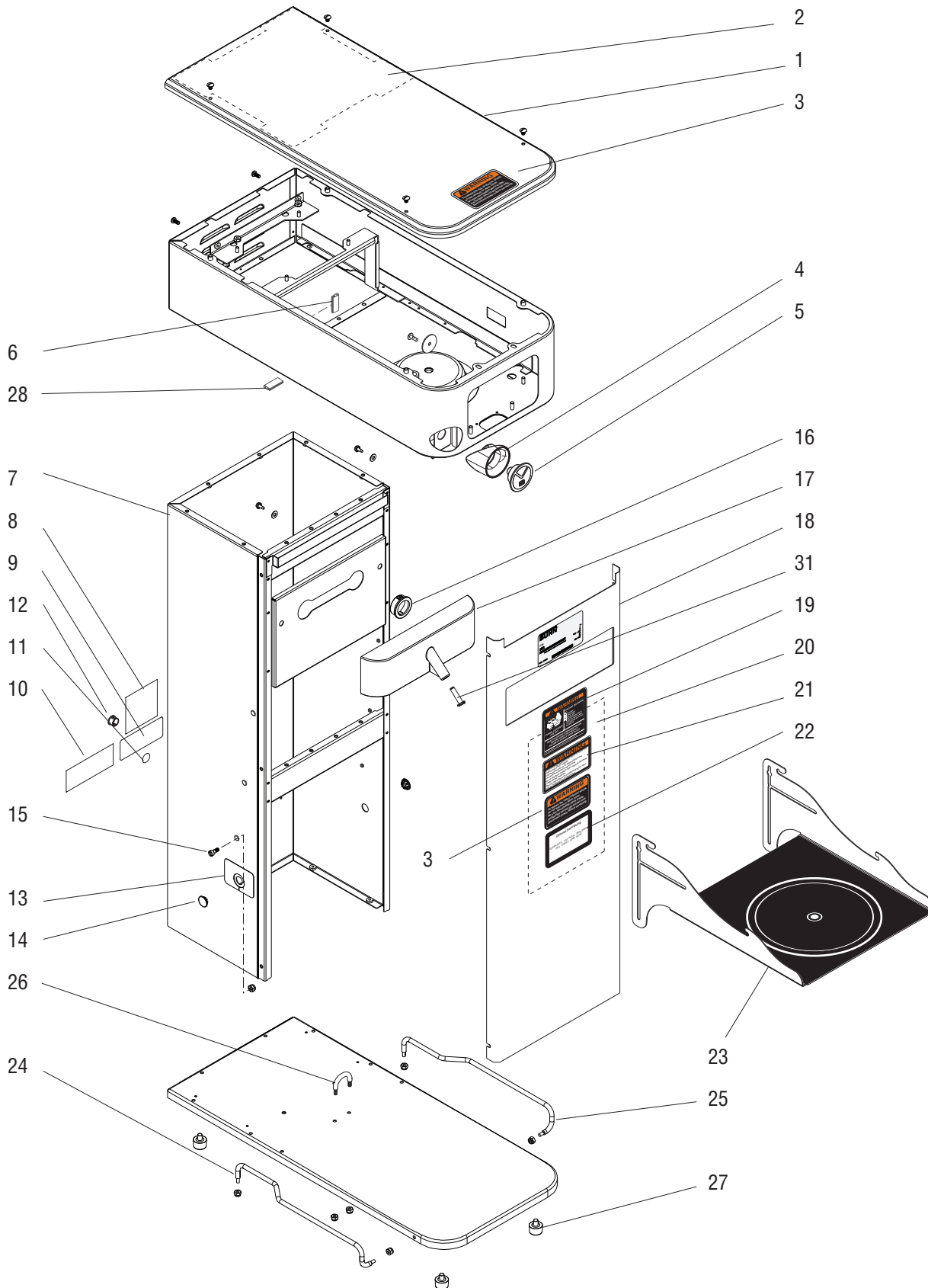


To **Search/Find** content in this document, use "**command+F**" (Mac)



HOOD, TRUNK, & BASE

ITCB
Series



P4400.40

HOOD, TRUNK, & BASE

| ITEM | PART NO. | QTY. | DESCRIPTION |
|------|------------|------|--|
| 1 | 44736.1025 | 1 | Cover Assy, Top (Includes items 2 & 3) |
| | 01311.0004 | 4 | Screw, Truss Head, BLK #6-32 x .25" Lkg |
| 2 | | 1 | Shield, Insulator |
| 3 | 37881.0000 | 2 | Decal, No Serviceable Parts |
| 4 | 52896.0000 | 1 | Faucet Bezel |
| 5 | 53619.0000 | 1 | Plug, Faucet Hole |
| | 33651.0000 | 1 | Washer |
| | 01317.0003 | 1 | Screw, Truss Head #8-32 x .50" Lkg |
| 6 | | 1 | Gasket, U-channel, 2.0" (Order item 29) |
| 7 | 45860.1015 | 1 | Trunk Assy. (Includes items 8, 9, 10 & 13) |
| | 01315.0000 | 6 | Screw, Truss Head #8-32 x .38" |
| 8 | 00986.0000 | 1 | Decal, Warning-Electrical |
| 9 | 51453.0000 | 1 | Decal, Risk of Fire |
| 10 | 00656.0001 | 1 | Decal, Compliance to Plumbing Code |
| 11 | 00824.0001 | 1 | Decal, Equipotentiality (230V Models) |
| 12 | 00669.0002 | 1 | Plug |
| 13 | 29007.0005 | 2 | Decal, Hot Water Side Faucet |
| 14 | 00619.0002 | 2 | Plug |
| 15 | 20621.0001 | 6 | Plug (Models without Tray) |
| | 29504.0005 | 6 | Screw, Shoulder |
| | 00991.0000 | 6 | Nut, Elastic Lock #8-32 |
| 16 | 01592.0001 | 1 | Bushing |
| 17 | 36360.1001 | 1 | Nozzle, Dilution |
| | 02332.0005 | 2 | Screw, Hex #6-32 x .38" |
| | 28614.0000 | 2 | Washer |
| 18 | 53870.1000 | 1 | Cover Assy, Front (Includes items 2, 19, 21, 22) |
| | 01315.0000 | 6 | Screw, Truss Head #8-32 x .38" |
| 19 | 00658.0000 | 1 | Decal, Warning-Decanter/Funnel |
| 20 | 53869.0000 | 1 | Schematic, ITCB-DV |
| | 53869.0001 | 1 | Schematic, ITCBA |
| 21 | 39175.0000 | 1 | Decal, Warning Overlay Graphic |
| 22 | 29710.0009 | 1 | Decal, Optional Field Wiring (Dual Volt Models only) |
| 23 | 38511.0019 | 1 | Flip Tray w/ Clear Coat (Models with Flip Tray) |
| | 38578.0000 | | Decal No Skid (optional) Not Pictured |

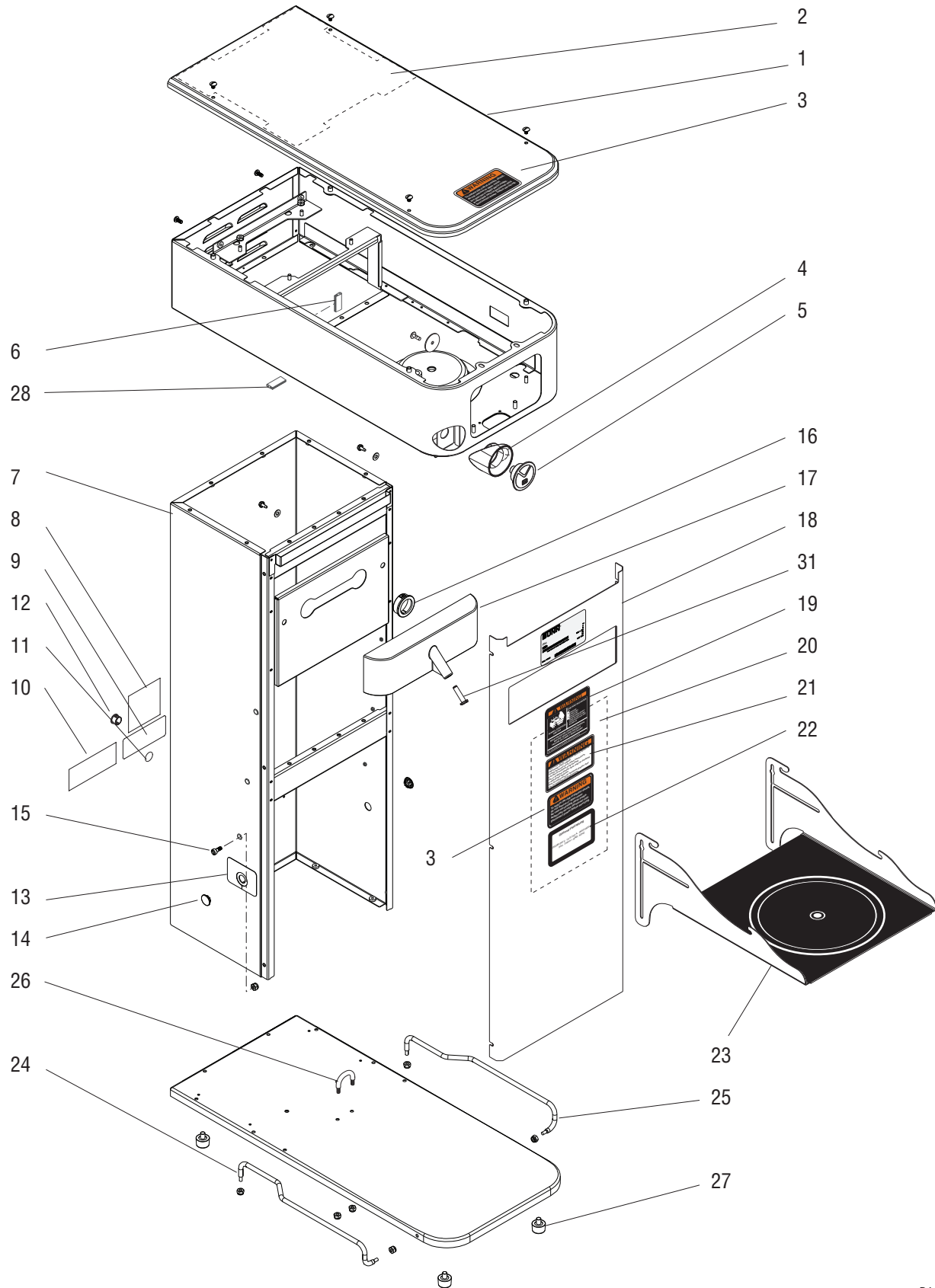
(continued)



HOOD, TRUNK, & BASE

ITCB
Series

(continued)



P4400.40

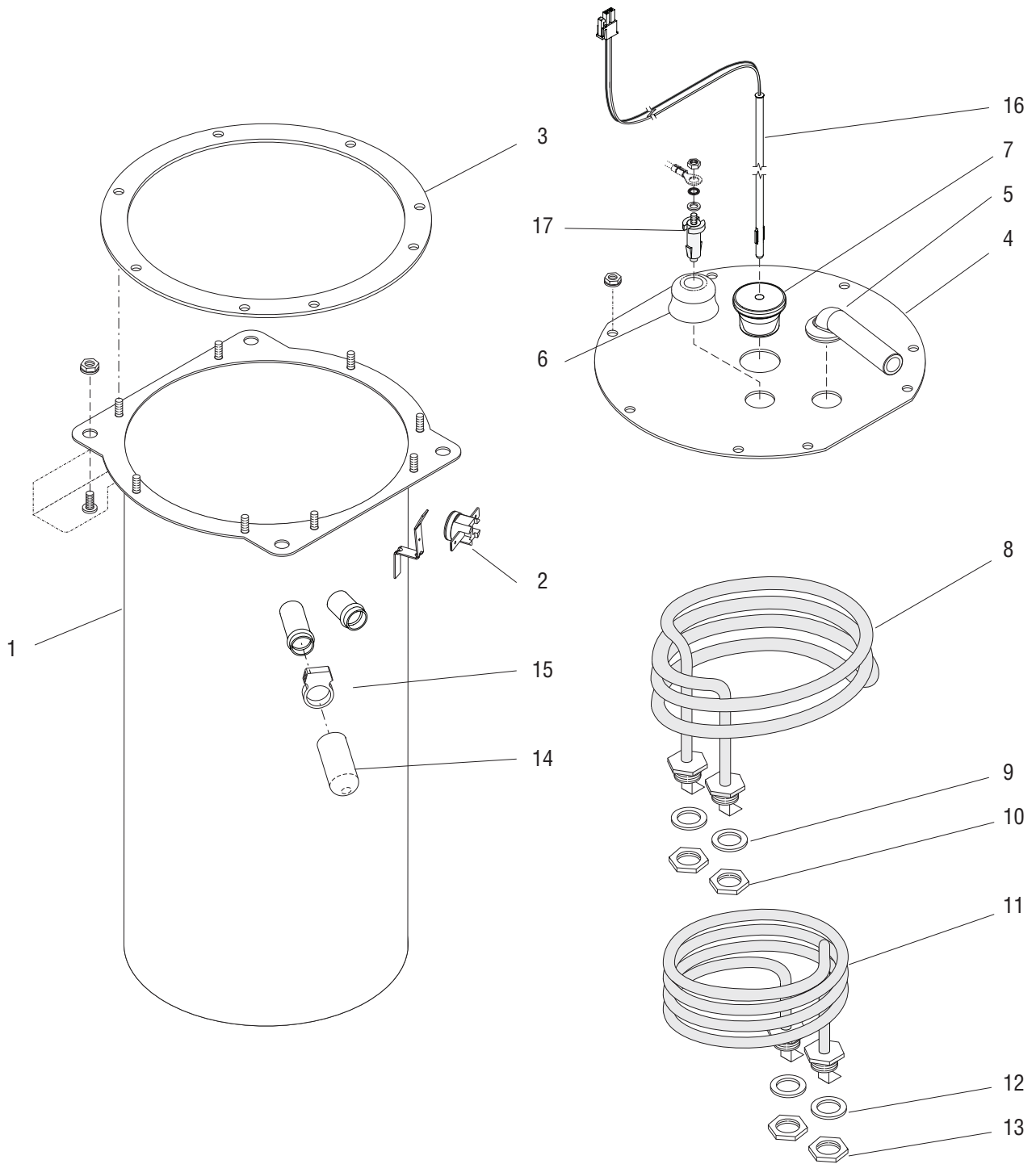
HOOD, TRUNK, & BASE

| ITEM | PART NO. | QTY. | DESCRIPTION |
|------|------------|------|---|
| 24 | 36461.0001 | 1 | Guide Rail, Left |
| | 00991.0000 | 2 | Nut, Elastic Lock #8-32 |
| 25 | 36462.0001 | 1 | Guide Rail, Right |
| | 00991.0000 | 2 | Nut, Elastic Lock #8-32 |
| 26 | 36412.0000 | 1 | Rail, Stop |
| | 00991.0000 | 2 | Nut, Elastic Lock #8-32 |
| 27 | 25137.0001 | 4 | Foot |
| | 24600.0000 | - | Foot Kit, Set of 4 |
| 28 | | 1 | Edging 1.0" (Order item 30) |
| 29 | 02434.1000 | - | Gasket, U-channel, 18.0" (Use as Required) |
| 30 | 02712.1000 | - | Edging 18.0" (Use as Required) |
| 31 | 42507.0000 | 1 | Fitting, Press In (Models with Sweet Brew Option) |



TANK ASSEMBLY

ITCB
Series



P2888

TANK ASSEMBLY

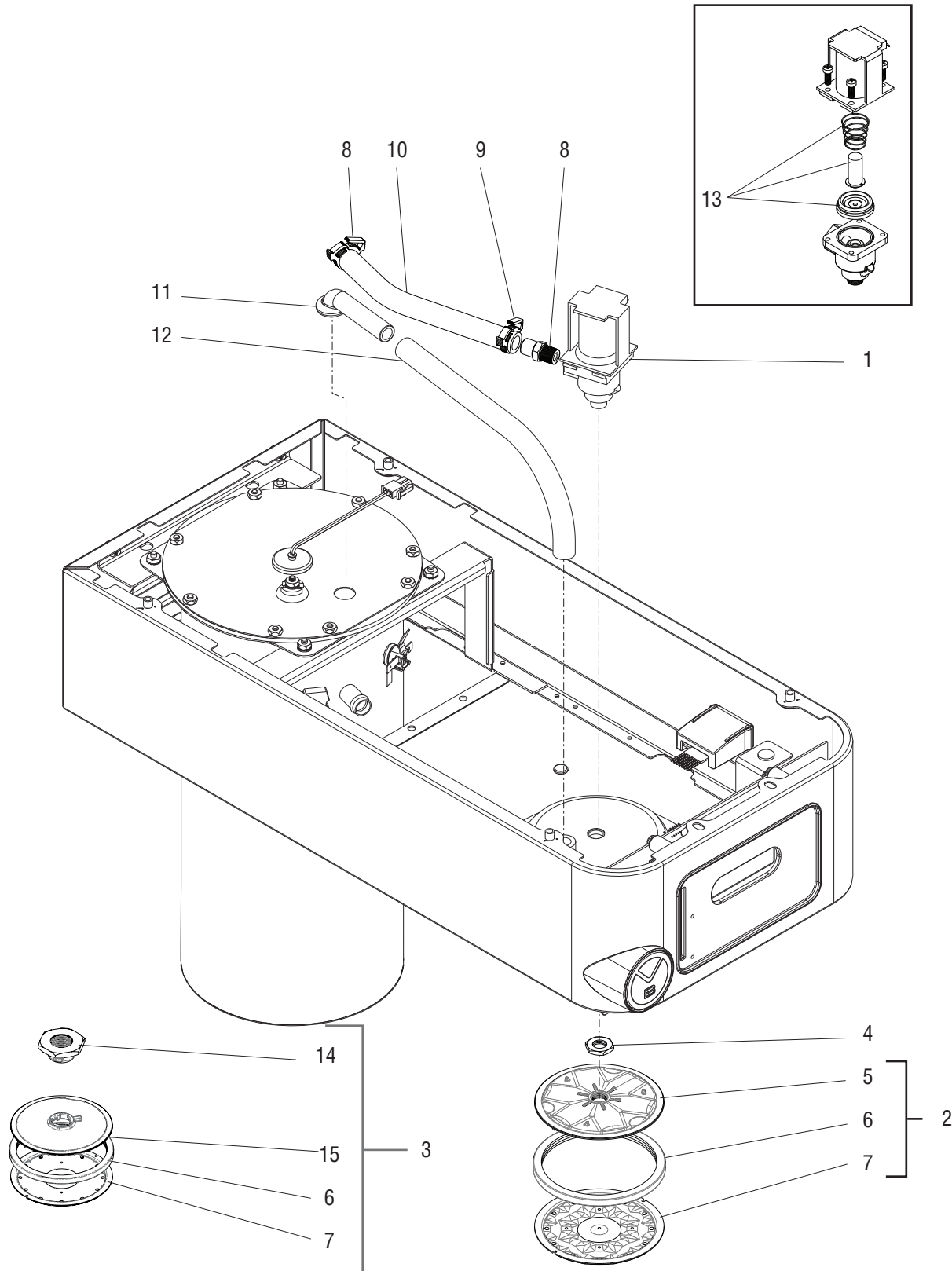
| ITEM | PART NO. | QTY. | DESCRIPTION |
|------|------------|------|--|
| 1 | 33937.0004 | 1 | Tank (Models ITCB-DV) |
| | 33937.0003 | 1 | Tank (Models ITCBA, 230V) |
| | 00970.0000 | 3 | Nut, Hex #8-32 |
| | 01501.0000 | 1 | Washer |
| | 20203.0100 | 1 | Lockwasher, Internal-tooth #8 |
| | 00908.0000 | 1 | Nut, Hex #8-32 |
| 2 | 29329.1000 | 1 | Limit Thermostat |
| 3 | 04221.0000 | 1 | Gasket |
| 4 | 28735.0000 | 1 | Lid |
| | 00908.0000 | 8 | Nut, Hex #8-32 |
| 5 | 38969.0003 | 1 | Fitting, 90° Silicone |
| 6 | 38114.0000 | 1 | Grommet, Liquid Level Probe |
| 7 | 33801.0003 | 1 | Grommet, Temp. Sensor |
| 8 | 29485.1004 | 1 | Tank Heater 1800W, 120V (Includes item 9) (Models ITCB-DV) |
| | 05037.1000 | 1 | Tank Heater 3500W, 230V (Includes item 9) (Models ITCBA, 230V) |
| 9 | 00943.0000 | 2 | Gasket |
| 10 | 00942.0000 | 2 | Nut, Hex .50"-20 |
| 11 | 02755.1002 | 1 | Tank Heater 1680W, 120V (Includes item 12) (Models ITCB-DV) |
| 12 | 00943.0000 | 2 | Gasket |
| 13 | 00942.0000 | 2 | Nut, Hex .50"-20 (4 Used on DV Models) |
| 14 | 29279.0000 | 1 | Cap, Tube-Silicone |
| 15 | 12422.0005 | 1 | Clamp, Hose-Snap Type .62"-.71" ID |
| 16 | 39085.1001 | 1 | Probe Kit, Temperature and Dry Plug |
| 17 | 07412.1002 | 1 | Probe, Liquid Level (Regular Dispense) |
| | 07412.1003 | 1 | Probe, Liquid Level (Sweet Brew Dispense) |
| | 01501.0000 | 1 | Washer |
| | 20203.0100 | 1 | Lockwasher, Internal-tooth #8 |
| | 00908.0000 | 1 | Nut, Hex #8-32 |

} Models without Faucet only



DISPENSE VALVE & SPRAYHEAD

ITCB
Series



P4402.50

DISPENSE VALVE & SPRAYHEAD

| ITEM | PART NO. | QTY. | DESCRIPTION |
|------|------------|------|--|
| 1 | 26846.0000 | 2 | 1 Valve Assembly, Sprayhead 120V (Discontinued, use 56771.0000) |
| | 26846.0002 | 2 | 1 Valve Assembly, Sprayhead 240V (Discontinued, use 56771.0002) |
| | 11517.0008 | - | - Repair Kit (Includes plunger, spring & diaphragm) |
| | 23255.0000 | - | - Diaphragm Only |
| | 23254.0000 | 8 | 4 Screw |
| | 23256.0000 | 2 | 1 Spacer Plate |
| | 56771.0000 | 2 | 1 Valve Assembly, Sprayhead 120V |
| | 56771.0002 | 2 | 1 Valve Assembly, Sprayhead 240V |
| | 56815.0000 | - | - Repair Kit (Includes plunger, spring & diaphragm) |
| | 56816.0000 | - | - Diaphragm Only |
| | 22305.0001 | 2 | 1 Coil 120VAC (used in both styles) |
| | 22305.0002 | 2 | 1 Coil 240VAC (used in both styles) |
| 2 | 40670.1222 | 1 | Sprayhead, 17 Hole (Includes items 5,6 & 7) |
| 3 | 40670.1025 | 2 | 1 Sprayhead Assembly, 17 Hole, Twist Lock |
| 4 | 01075.0000 | 1 | Nut, Hex .438"-20 |
| 5 | 52112.0003 | 1 | Back, Sprayhead |
| 6 | 34868.0000 | 1 | Seal |
| 7 | 43920.0005 | 1 | Sprayhead, 17 Hole |
| 8 | 34956.0004 | 1 | Fitting |
| 9 | 12422.0009 | 2 | Clamp, SNP-14 |
| 10 | | 1 | Tube .50" ID x 7.88" (Order item 13) |
| 11 | 38969.0003 | 1 | Fitting, 90° Silicone |
| 12 | | 1 | Tube .50" ID x 12.0" (Order item 13) |
| 13 | 11517.0008 | 1 | Repair Kit, Dispense Valve (Includes Plunger, Spring and Diaphragm) |
| 14 | 56914.0000 | 2 | 1 Adapter, Infusion Sprayhead |
| 15 | 56941.0000 | 2 | 1 Sprayhead, Back Flat Plastic Twist |

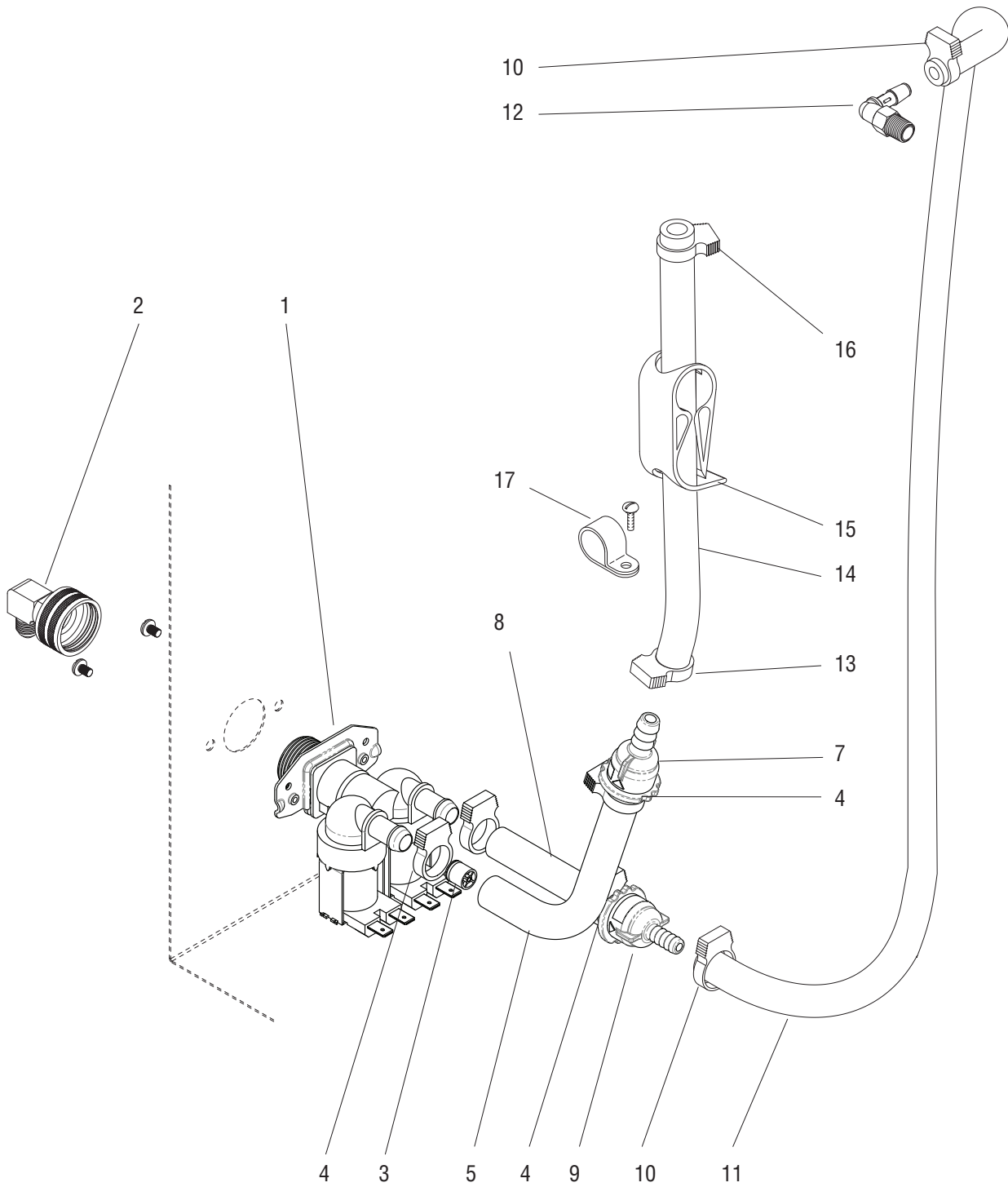
The following items are not illustrated.

| | | | |
|----|------------|---|--|
| 16 | 32591.1001 | 1 | Tube .50" ID x 12.0" (Use as required) |
| | 32591.1002 | 1 | Tube .50" ID x 36.0" (Use as required) |



TANK FILL & DRAIN

ITCB
Series



TANK FILL & DRAIN

| ITEM | PART NO. | QTY. | DESCRIPTION |
|------|------------|------|--|
| 1 | 41761.0000 | 1 | Valve, Water Inlet 120V |
| | 41761.0008 | 1 | Valve, Water Inlet 230V |
| | 32283.0000 | 2 | Screw, Pan Head M4 x 6mm |
| 2 | 37297.1006 | 1 | Elbow |
| 3 | 36378.0001 | 1 | Check Valve |
| 4 | 12422.0005 | 4 | Clamp, Hose-Snap .62/.71 ID |
| 5 | | 1 | Hose, Flex .375" ID x 6.0" (Oreder item 18) |
| 6 | 21275.0003 | 2 | Clamp |
| 7 | 41595.0010 | 1 | Flow Assy |
| 8 | | 1 | Hose, Flex .375" ID x 3.0" (Oreder item 18) |
| 9 | 41595.0011 | 1 | Flow Assy |
| 10 | 12422.0000 | 2 | Clamp |
| 11 | | 1 | Tube, Silicone .25" ID x 28.0" (Oreder item 19) |
| 12 | 47355.0001 | 1 | Elbow |
| 13 | 12422.0001 | 1 | Clamp |
| 14 | | 1 | Tube, Silicone .375" ID x 20.0" (Oreder item 20) |
| 15 | 11630.0001 | 1 | Clamp, Shut Off |
| 16 | 12422.0006 | 1 | Clamp |
| 17 | 00610.0000 | 1 | Clamp |
| | 02308.0000 | 1 | Screw, Pan Head #8-32 x .38" |

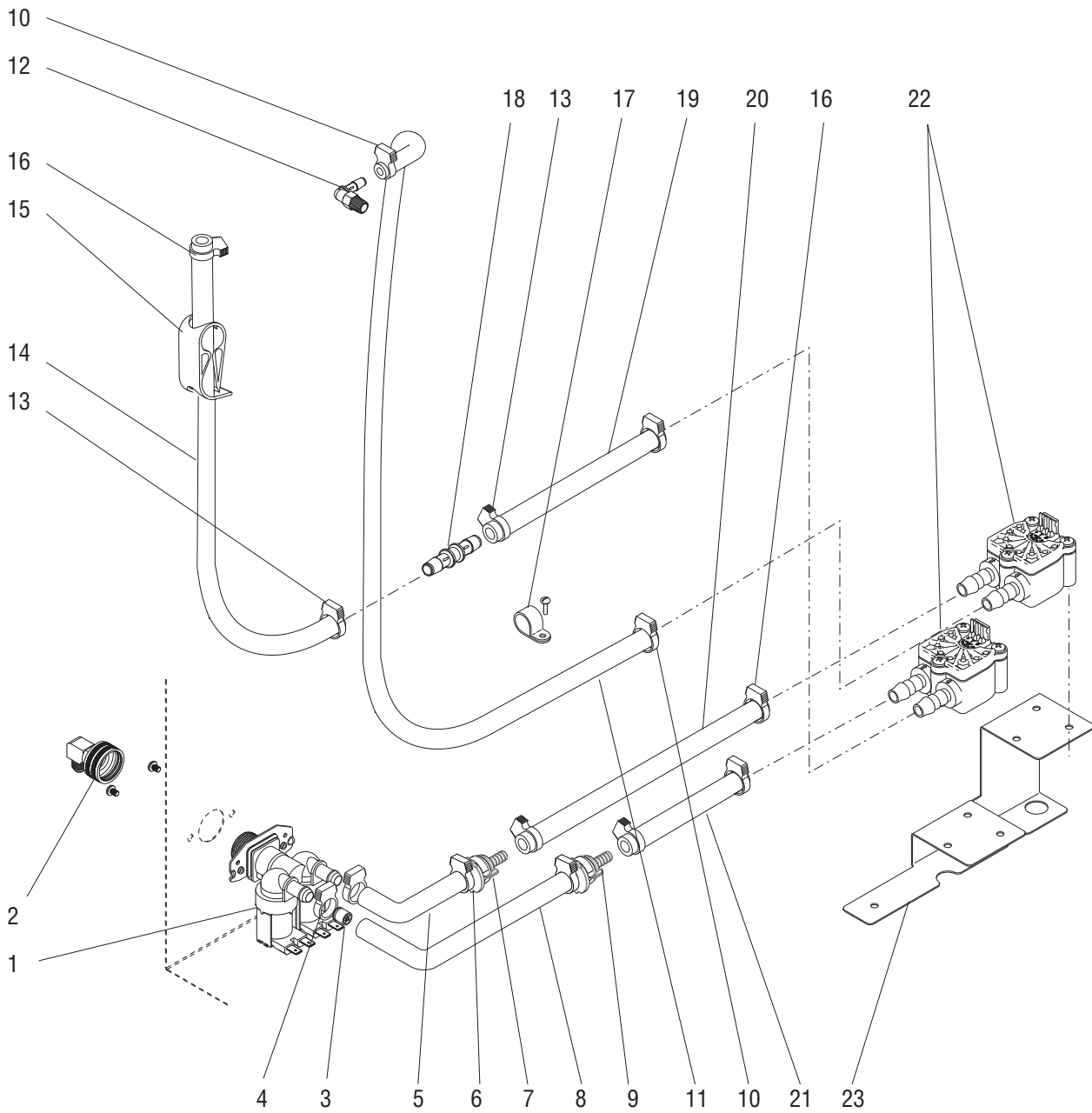
The following items are not illustrated

| | | | |
|----|------------|---|---|
| 18 | 34325.1000 | - | Hose, Flex .375" ID x 1 Foot (Use as required) |
| | 34325.1001 | - | Hose, Flex .375" ID x 3 Feet (Use as required) |
| | 34325.1002 | - | Hose, Flex .375" ID x 10 Feet (Use as required) |
| 19 | 11707.1001 | - | Tube, Silicone .25" ID x 3 Feet (Use as required) |
| | 11707.1002 | - | Tube, Silicone .25" ID x 10 Feet (Use as required) |
| | 11707.1004 | - | Tube, Silicone .25" ID x 250 Feet (Use as required) |
| 20 | 20976.1000 | - | Tube, Silicone .375" ID x 1 Foot (Use as required) |
| | 20976.1001 | - | Tube, Silicone .375" ID x 3 Feet (Use as required) |
| | 20976.1002 | - | Tube, Silicone .375" ID x 10 Feet (Use as required) |



TANK FILL & DRAIN WITH SWEET BREW

ITCB
Series



TANK FILL & DRAIN WITH SWEET BREW

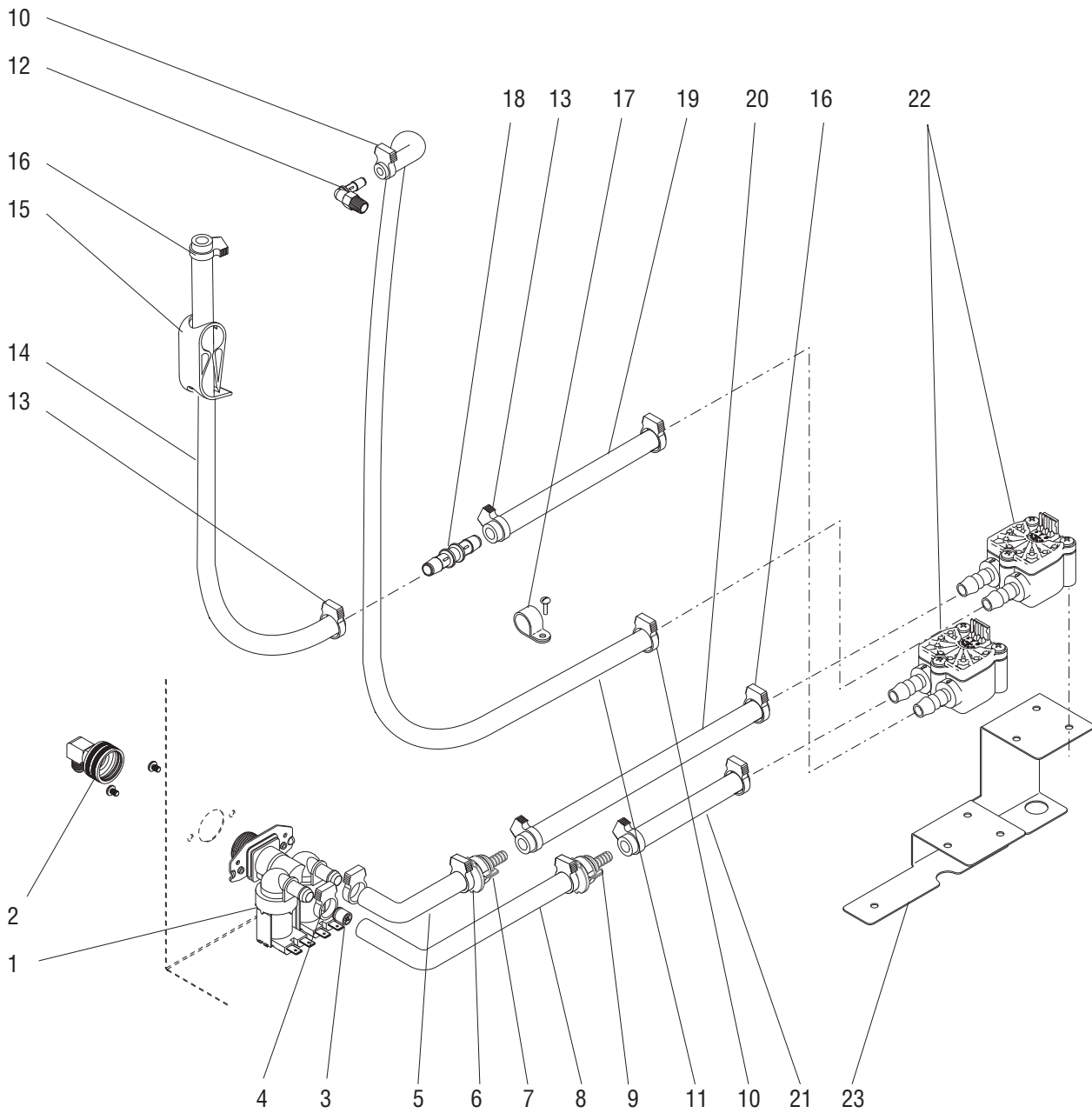
| ITEM | PART NO. | QTY. | DESCRIPTION |
|------|------------|------|---|
| 1 | 41761.0000 | 1 | Valve, Water Inlet 120V |
| | 41761.0008 | 1 | Valve, Water Inlet 230V |
| | 32283.0000 | 2 | Screw, Pan Head M4 x 6mm |
| 2 | 37297.1006 | 1 | Elbow |
| 3 | 36378.0001 | 1 | Check Valve |
| 4 | 12422.0005 | 2 | Clamp, Hose-Snap .62/.71 ID |
| 5 | | 1 | Hose, Flex .375" ID x 6.0" (Order item 24) |
| 6 | 21275.0003 | 2 | Clamp |
| 7 | 41595.0010 | 1 | Flow Assy |
| 8 | | 1 | Hose, Flex .375" ID x 3.0" (Order item 24) |
| 9 | 41595.0011 | 1 | Flow Assy |
| 10 | 12422.0000 | 2 | Clamp |
| 11 | | 1 | Tube, Silicone .25" ID x 28.0" (Order item 25) |
| 12 | 47355.0001 | 1 | Elbow |
| 13 | 12422.0001 | 3 | Clamp |
| 14 | | 1 | Tube, Silicone .375" ID x 20.0" (Order item 26) |
| 15 | 11630.0001 | 1 | Clamp, Shut Off |
| 16 | 12422.0006 | 5 | Clamp |
| | | | |
| 17 | 00610.0000 | 1 | Clamp |
| | 02308.0000 | 1 | Screw, Pan Head #8-32 x .38" |
| 18 | 45313.0000 | 1 | Connector, Union |
| 19 | | 1 | Tube, Silicone .313" ID x 6.0" (Order item27) |
| 20 | | 1 | Tube, Silicone .25" ID x 6.0" (Order item 25) |
| 21 | | 1 | Tube, Silicone .313" ID x 4.0" (Order item27) |
| 22 | 40752.0003 | 2 | Flow Meter |
| | 02363.0000 | 6 | Screw, Pan Head, #8-15 x .38" |
| 23 | 54897.0000 | 1 | Bracket, Flow Meter |

(continued)



TANK FILL & DRAIN WITH SWEET BREW

ITCB
Series



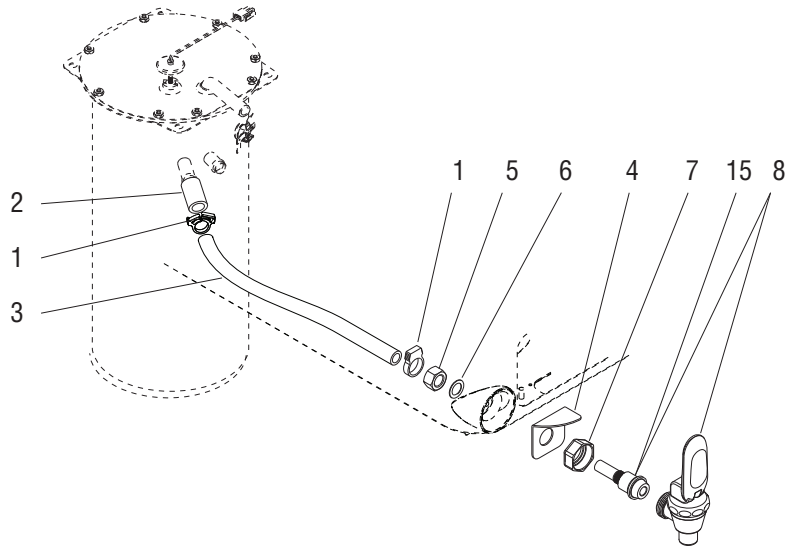
TANK FILL & DRAIN WITH SWEET BREW

| ITEM | PART NO. | QTY. | DESCRIPTION |
|--|------------|------|---|
| The following items are not illustrated. | | | |
| 24 | 34325.1000 | - | Hose, Flex .375" ID x 1 Foot (Use as required) |
| | 34325.1001 | - | Hose, Flex .375" ID x 3 Feet (Use as required) |
| | 34325.1002 | - | Hose, Flex .375" ID x 10 Feet (Use as required) |
| 25 | 11707.1001 | - | Tube, Silicone .25" ID x 3 Feet (Use as required) |
| | 11707.1002 | - | Tube, Silicone .25" ID x 10 Feet (Use as required) |
| | 11707.1004 | - | Tube, Silicone .25" ID x 250 Feet (Use as required) |
| 26 | 20976.1000 | - | Tube, Silicone .375" ID x 1 Foot (Use as required) |
| | 20976.1001 | - | Tube, Silicone .375" ID x 3 Feet (Use as required) |
| | 20976.1002 | - | Tube, Silicone .375" ID x 10 Feet (Use as required) |
| 27 | 28526.1000 | - | Tube, Silicone .313" ID x 12.0" (Use as required) |
| | 28526.1001 | - | Tube, Silicone .313" ID x 36.0" (Use as required) |
| | 28526.1002 | - | Tube, Silicone .313" ID x 60.0" (Use as required) |
| 28 | 44079.0002 | 1 | Wiring Harness, Flow Meter |



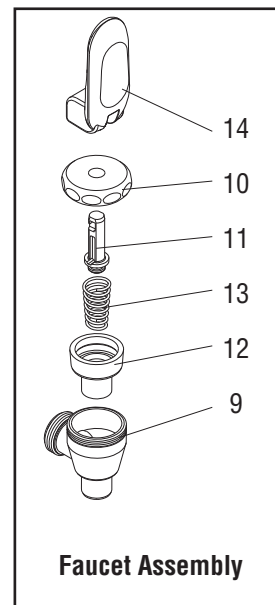
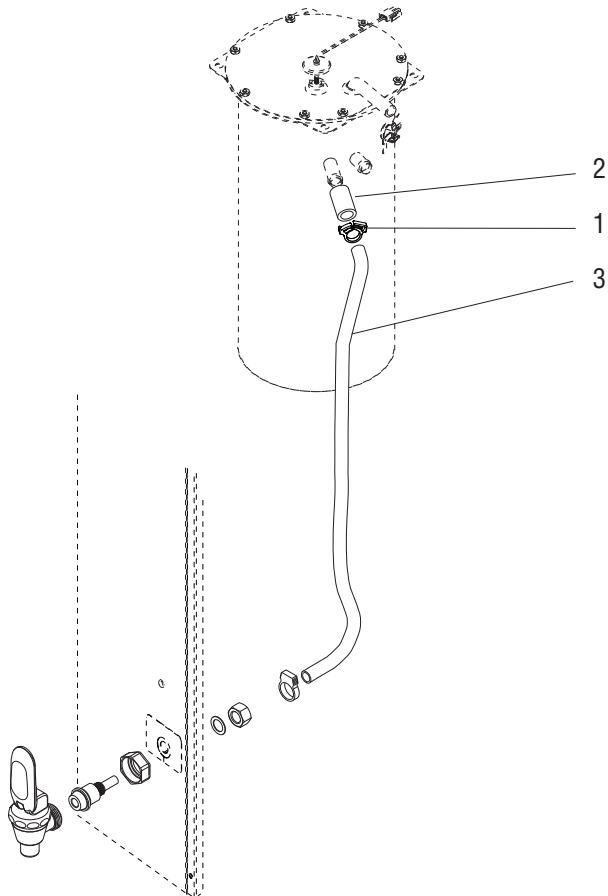
FAUCET ASSEMBLY

ITCB
Series



Top Mounted

Side Mounted



FAUCET ASSEMBLY

| ITEM | PART NO. | QTY. | DESCRIPTION |
|------|------------|------|---|
| 1 | 12422.0009 | 2 | Clamp |
| 2 | | 1 | Tube, Silicone .50 ID x 1.8" (Order item 16) |
| 3 | | 1 | Tube, Silicone .25 ID x 31.0" (Order item 17) |
| 4 | 52707.1004 | 1 | Bracket, Stabilizer |
| 5 | 29264.0000 | 1 | Nut |
| 6 | 01544.0000 | 1 | Washer |
| 7 | 01268.0000 | 1 | Nut |
| 8 | 03260.1026 | 1 | Faucet Assy (Includes items 9 - 14) |
| 9 | 37758.0002 | 1 | Body |
| 10 | 29165.0002 | 1 | Bonnet |
| 11 | 29164.0000 | 1 | Stem |
| 12 | 00600.0000 | 1 | Seat Cup |
| 13 | 00601.0000 | 1 | Spring |
| 14 | 51315.0004 | 1 | Handle, Red |
| 15 | 46390.0001 | 1 | Shank, Faucet |

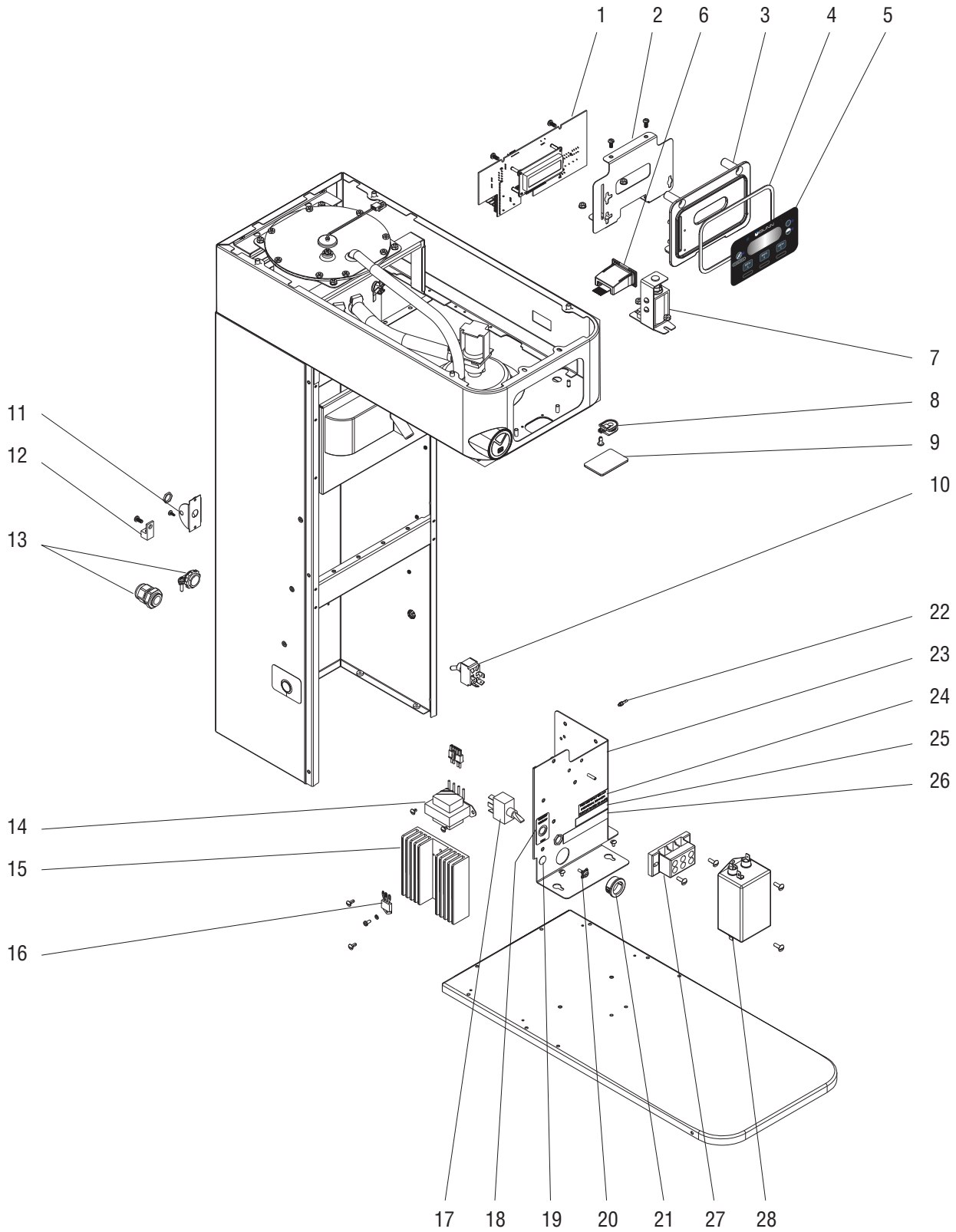
The following items are not illustrated

| | | | |
|----|------------|---|---|
| 16 | 32591.1001 | - | Tube .50" ID x 12.0" (Use as required) |
| | 32591.1002 | - | Tube .50" ID x 36.0" (Use as required) |
| | 32591.1003 | - | Tube .50" ID x 120.0" (Use as required) |
| 17 | 11707.1001 | - | Tube, Silicone .25" ID x 3 Feet (Use as required) |
| | 11707.1002 | - | Tube, Silicone .25" ID x 10 Feet (Use as required) |
| | 11707.1004 | - | Tube, Silicone .25" ID x 250 Feet (Use as required) |
| 18 | 51315.1004 | - | - Faucet Repair Kit (Includes 11-14) |



ELECTRICAL COMPONENTS

ITCB
Series



ELECTRICAL COMPONENTS

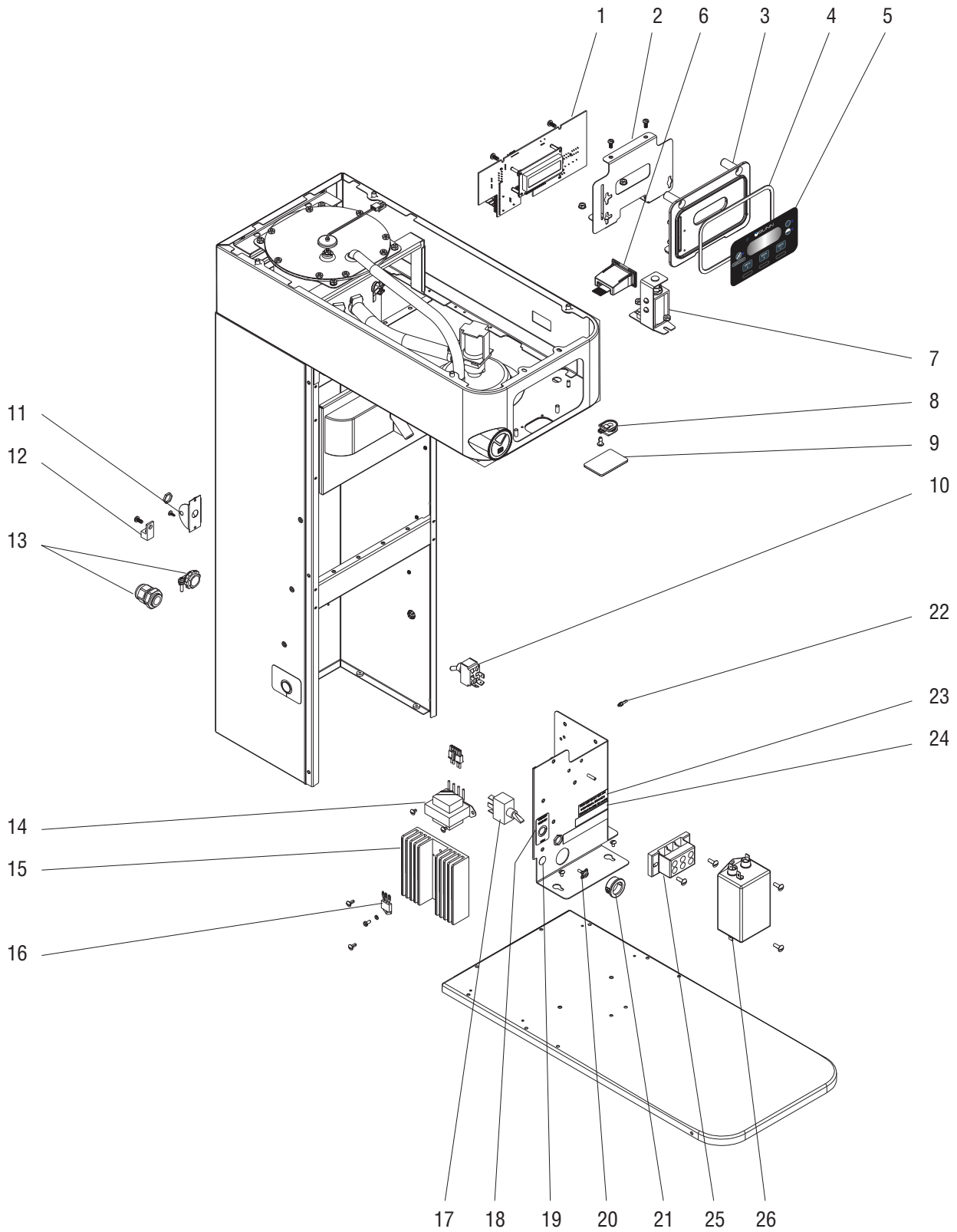
| ITEM | PART NO. | QTY. | DESCRIPTION |
|------|------------|------|--|
| 1 | 52887.1000 | 1 | Circuit Board 120V |
| | 53833.1000 | 1 | Circuit Board 230V |
| | 02308.0000 | 2 | Screw, Pan Head #8-32 x .38" |
| 2 | 51337.0002 | 1 | Bracket |
| | 02308.0000 | 2 | Screw, Pan Head #8-32 x .38" |
| | 00971.0000 | 2 | Nut, Keps #10-32 |
| 3 | 52864.0000 | 1 | Bezel |
| 4 | 53344.0001 | 1 | Seal |
| 5 | 52904.0000 | 1 | Membrane Switch (Regular Dispense) |
| | 52904.0010 | 1 | Membrane Switch (Sweet Brew Dispense) |
| 6 | 48455.0001 | 1 | USB Receptacle |
| 7 | 35952.1006 | 1 | Solenoid Assembly 120V |
| | 35952.1007 | 1 | Solenoid Assembly 230V |
| | 00970.0000 | 2 | Nut, Keps #8-32 |
| 8 | 32572.1000 | 1 | Sensing Coil |
| | 35956.0000 | 1 | Fastener |
| 9 | 52947.0001 | 1 | Seal |
| 10 | 40763.0002 | 1 | Switch, Toggle 120V |
| | 28004.0000 | 1 | Switch, Toggle 230V |
| | 23696.0000 | 1 | Facenut |
| 11 | 25102.0001 | 1 | Bracket, Switch "I/O" |
| | 28098.0000 | 1 | Fastener, Snap |
| 12 | 27705.0000 | 1 | Terminal Lug (230V models only) |
| | 02308.0000 | 1 | Screw, Pan Head #8-32 x .38" |
| 13 | 01685.0000 | 1 | Cord Connector 120V |
| | 05746.0000 | 1 | Cord Connector 230V |
| 14 | 34307.1001 | 1 | Transformer 120V |
| | 34307.1002 | 1 | Transformer 230V |
| | 01308.0002 | 2 | Screw SST #6-32 x .25" |
| 15 | 20541.0001 | 1 | Heatsink |
| | 01382.0007 | 2 | Screw, 6-32 x .375" |
| 16 | 12565.0046 | 1 | Triac |
| | 02328.0003 | 1 | Screw, 6-32 x .312" |
| | 01520.0000 | 1 | Lock Washer |
| | M2522.1000 | - | Heat Sink Compound, 5oz Tube |
| 17 | 23522.1001 | 1 | Switch, Toggle (Dual Voltage Brewers only) |
| 18 | 34056.0001 | 1 | Decal, Voltage Selection (Dual Voltage Brewers only) |
| 19 | 00824.0002 | 1 | Decal, Ground |
| 20 | 37804.0000 | 1 | Screw, Grounding #8-32 x .50" |

Continued on next page



ELECTRICAL COMPONENTS

ITCB
Series



ELECTRICAL COMPONENTS

| ITEM | PART NO. | QTY. | DESCRIPTION |
|------|------------|------|--|
| 21 | 01592.0000 | 1 | Snap Bushing |
| 22 | 36329.0000 | 1 | Cable Tie |
| 23 | 00985.0000 | 1 | Decal, Individual Circuit Info |
| 24 | 00870.0000 | 1 | Decal, Use Copper Wire Only |
| 25 | 07038.0000 | 1 | Terminal Block (Dual Voltage Brewers only) |
| | 01317.0000 | 2 | Screw, Truss Head #8-32 x .50" |
| 26 | 50159.0000 | 1 | EMI Filter (230V CE models only) |
| | 02308.0000 | 2 | Screw, Pan Head #8-32 x .38" |

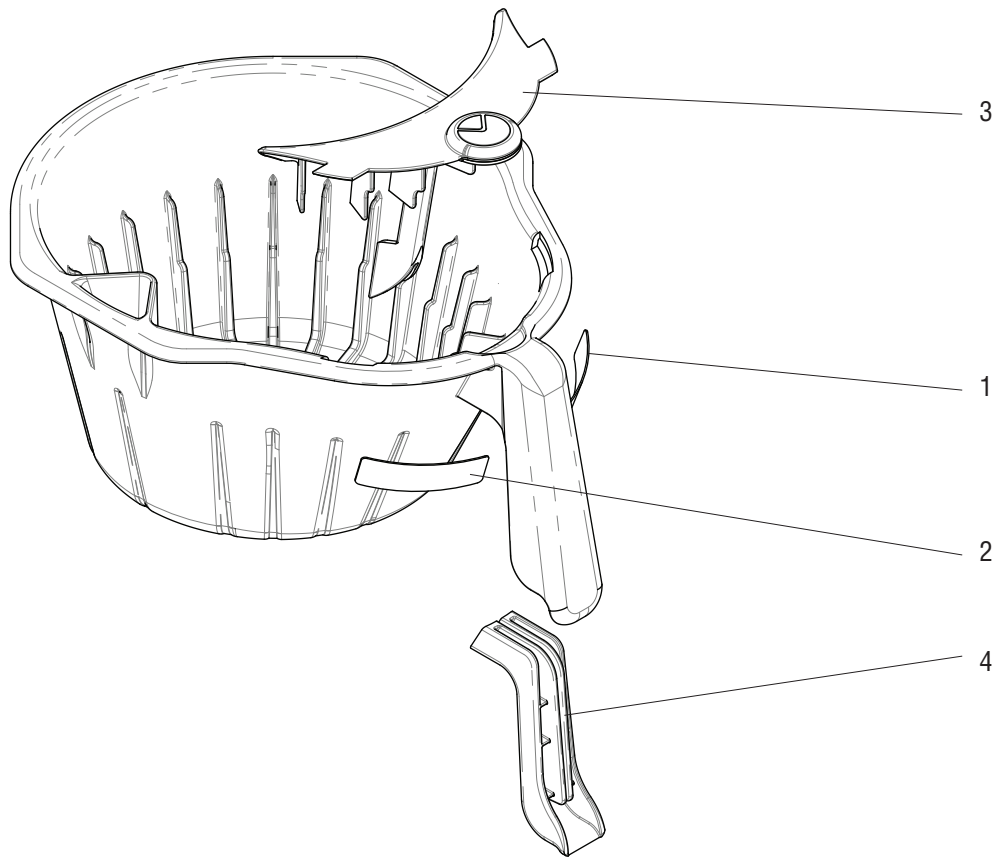
The following items are not illustrated

| | | | |
|----|------------|---|--|
| 27 | 20630.0005 | 1 | Power Cord 120V |
| | 42749.0033 | 1 | Power Cord 230V |
| 28 | 38040.0016 | 1 | Wiring Harness, Main 120V |
| | 36677.0030 | 1 | Wiring Harness, Main 230V |
| 29 | 36675.0000 | 1 | Wiring Harness, Sensing Coil |
| 30 | 40081.0002 | 1 | Wiring Harness, Toggle Switch to Terminal Block 120V |
| 31 | 37494.0005 | 1 | Wiring Harness, Liquid Level |
| 32 | 34707.0009 | 1 | Wiring Harness, EMI Filter 230V |
| 33 | 44022.0000 | 1 | Wiring Harness, Transformer to CBA |
| 34 | 22918.0002 | 2 | Thermal Fuse 230V |
| 35 | 48455.0002 | 1 | USB Receptacle cover |



FUNNEL ASSEMBLY, COFFEE

ITCB
Series



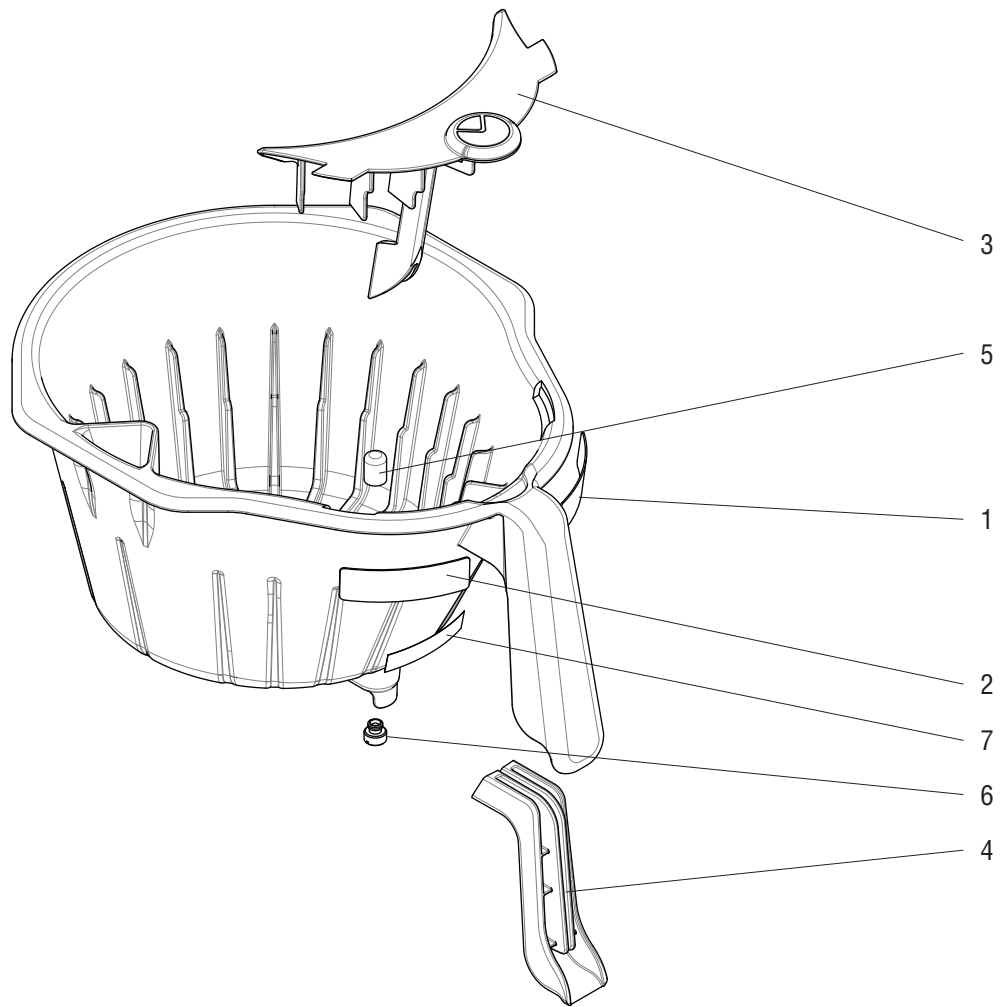
FUNNEL ASSEMBLY, COFFEE

| ITEM | PART NO. | QTY. | DESCRIPTION |
|------|------------|------|--|
| - | 53463.0021 | 1 | Funnel Assy, Plastic (Includes Items 1 thru 4) |
| 1 | 03408.0009 | 1 | Decal, Caution-Remove Funnel |
| 2 | 03409.0007 | 1 | Decal, Caution-Hot Liquid |
| 3 | 53374.0004 | 1 | Splash Guard |
| 4 | 53544.0000 | 1 | Insert, Funnel Handle |



FUNNEL ASSEMBLY, TEA

ITCB
Series



FUNNEL ASSEMBLY, TEA

| ITEM | PART NO. | QTY. | DESCRIPTION |
|------|------------|------|--|
| - | 53463.0022 | 1 | Funnel Assy, Plastic (Includes Items 1 thru 7) |
| 1 | 03408.0008 | 1 | Decal, Caution-Remove Funnel |
| 2 | 03409.0006 | 1 | Decal, Caution-Hot Liquid |
| 3 | 53374.0005 | 1 | Splash Guard |
| 4 | 53544.0003 | 1 | Insert, Funnel Handle |
| 5 | 03284.0001 | 1 | Adapter, Funnel w/Screen |
| 6 | 03407.0002 | 1 | Funnel Tip, .114" |
| 7 | 03536.0001 | 1 | Decal, Quick Brew |

