

SPECIFICATIONS, FEATURES & FUNCTION SUMMARY

SPECIFICATIONS 3VIR12HP230V1AH & BH¹ / 3VIR12HP230V1BO

System Type HEAT PUMP

SYSTEM PERFORMANCE			
Cooling	Min - Max	Btu/h	3071 - 14098
	Capacity @95°F	Btu/h	12000
Heating	Min - Max	Btu/h	3071 - 15501
	Capacity @5°F	Btu/h	
	Capacity @17°F	Btu/h	7000
	Capacity @47°F	W	12000
SEER2			24.0
EER2			12.5
HSPF2			9.0
COP @5°F			
COP @47°F			3.8
Cooling Temperature Range		°F	-20 - 122
Heating Temperature Range		°F	-22 - 86
Refrigerant Type			R410A

INDOOR UNIT 3VIR12HP230V1AH & BH ¹			
Air flow (Min-Max)	CFM		182 - 424
Sound Pressure Level (Min - Max)	dB(A)		27 - 43
Dehumidification	pt/hr		2.96
External Dimensions (WxHxD)	in		32-1/2 × 11-9/16 × 7-3/4
Package Dimension (W x H x D)	in		34-7/16 × 14-3/8 × 10-9/16
Net Weight	lbs		20.9
Gross Weight	lbs		25.4

OUTDOOR UNIT 3VIR12HP230V1BO			
Compressor Type			GREE G-10 / 2 - STAGE INVERTER
Sound Pressure Level	dB(A)		52
External Dimensions (WxHxD)	in		31-5/8 × 21-7/8 × 13-13/16
Package Dimension (W x H x D)	in		34-3/8 × 24-7/16 × 15-11/16
Net Weight	lbs		70.6
Gross Weight	lbs		76.1

REFRIGERANT PIPING			
Refrigerant Charge - R410A	oz		42.3
Additional Charge	oz/ft		0.2
Line Set Size (Liquid - Gas) - Flared Connections	in		1/4 - 1/2
Pre-Charge Length	ft		25
Pipe Length (Min - Max)	ft		10 - 66
Max. Pipe Elevation	ft		40

ELECTRICAL			
Power Supply			208-230V / 1Ph / 60Hz (Powered by the Outdoor Unit)
Voltage Range (Min - Max)	VAC		187 - 253
Rated Current - Cooling	A		6.3
Rated Current - Heating	A		6.7
MCA	A		10
MOCP	A		15
Suggested Breaker Size	A		10
Main Power Wire Size	AWG		Per Local Code
Interconnecting Wire Size	AWG		14 / 4

¹ AH = MATT FINISH; BH = SMOOTH FINISH

FEATURES & FUNCTIONS SUMMARY

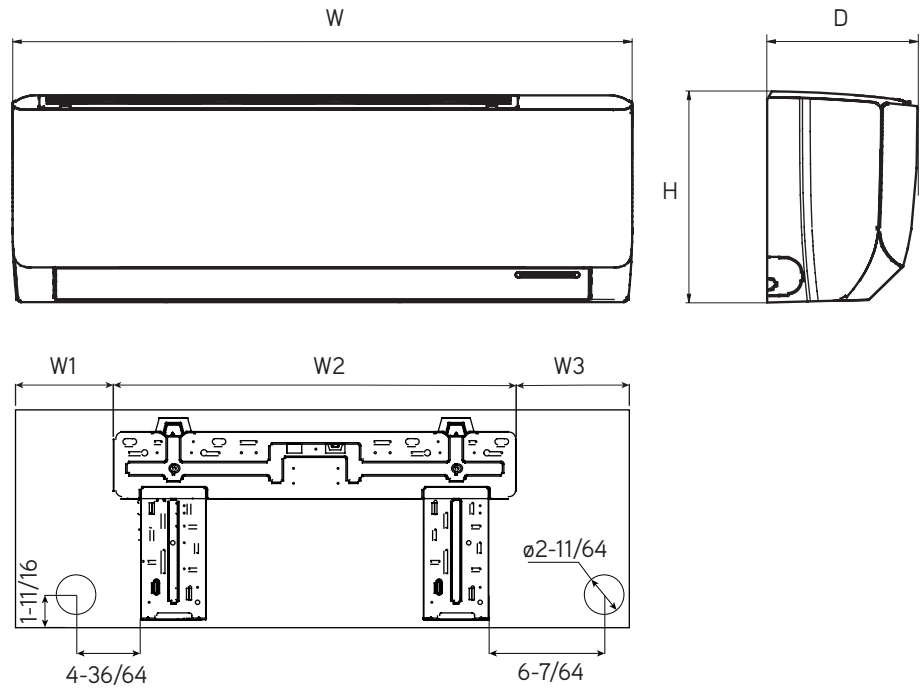
SYSTEM FEATURES	
Inverter Type	G10
Ultra Low Frequency Torque Control	Yes
Power Factor Correction	Yes
Compressor Type - Inverter	High Efficiency Rotary
Basepan With Electric Heater	Yes
Indoor & Outdoor Fin Coating (Blue Fin)	Yes
Intelligent Defrosting	Yes
Intelligent Preheating	Yes
Low Voltage Startup	Yes
Memory/Power Failure Recovery	Yes
Self Diagnosis	Yes
Wired Controller Interface (XE71 or XK76 optional)	Yes
WiFi Included	Yes
NEW! Easy Service Access	Yes
Indoor Fan Type	Crossflow
Multi Fan Speeds	7 Speeds
Indoor Unit Display	Yes
Auxiliary Electrical Heater	No
Ventilation (Outdoor Air)	No
REMOTE CONTROLLER FUNCTIONS	
NEW! Auto Clean	Yes
Auto Mode	Yes
Auto Fan	Yes
Auto Swing (Horizontal Auto Swing)	Yes
Auto Swing - 180° (Vertical Auto Swing)	Yes
Clock	Yes
Dry Mode	Yes
Dry Anti-Mildew (X-Fan) Mode	Yes
Energy Saving Mode	Yes
Dirty Filter Alert	No
Fan Speed Control (7 Speeds)	Yes
I Feel Function	Yes
Privacy Lock	Yes
Quiet Mode	Yes
Room Temperature Display	No
Sleep Mode	Yes
3 Sleep Mode Options	Yes
Timer Mode	Yes
Turbo Mode	Yes
Display On/Off Control	Yes
Freeze Guard Mode	Yes
Power Failure Mode	Yes

DIMENSIONS

INDOOR UNIT

Unit: inch

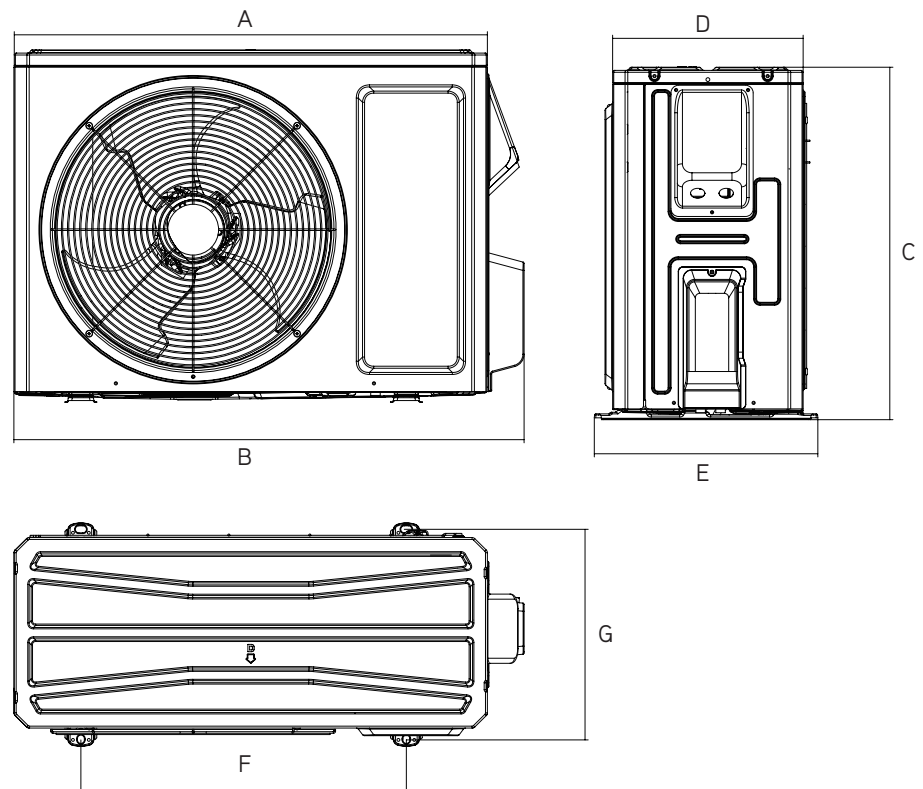
3VIR12HP230V1AH & BH	
DIMENSIONS	
W	32-31/64
H	11-17/32
D	7-23/32
W1	4-29/64
W2	21-11/32
W3	6-11/16



OUTDOOR UNIT

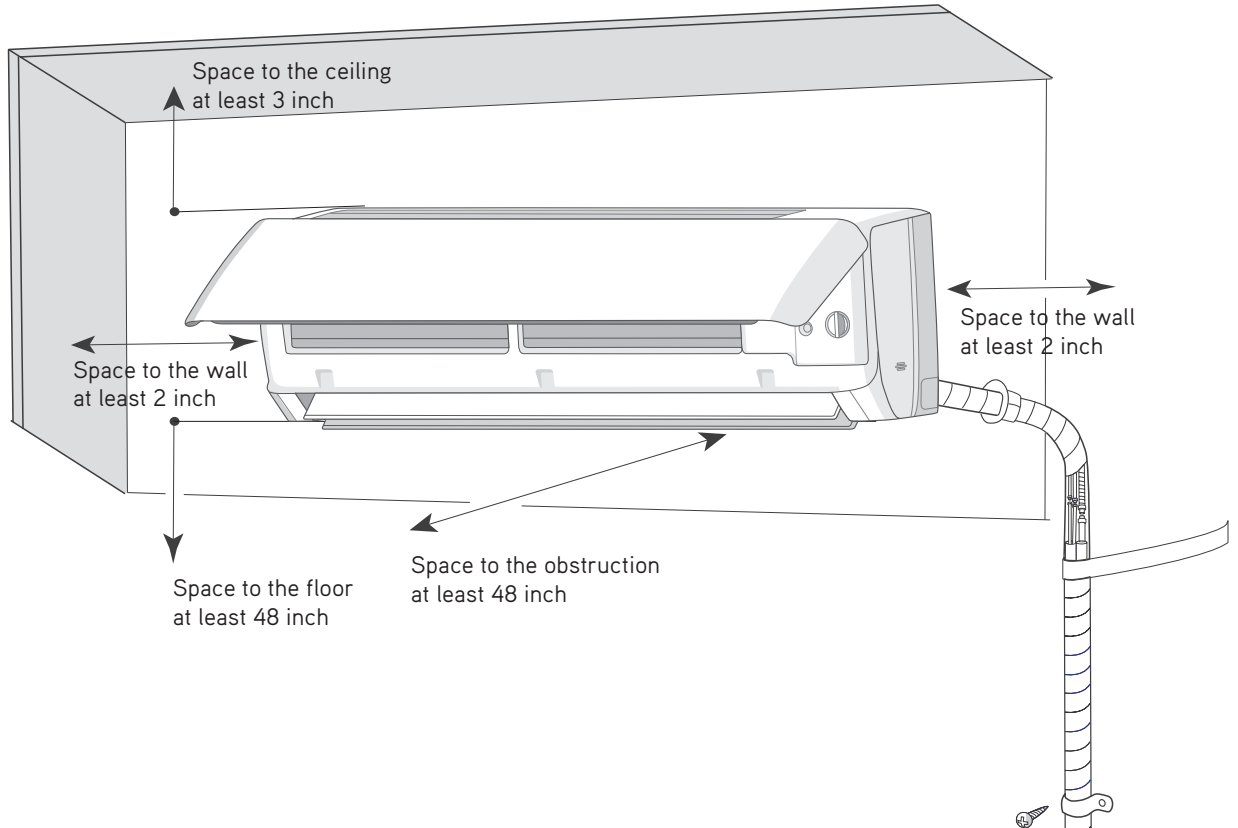
Unit: inch

3VIR12HP230V1BO	
DIMENSIONS	
A	29-21/64
B	31-37/64
C	21-27/32
D	11-13/16
E	13-25/32
F	20-5/32
G	13-5/64

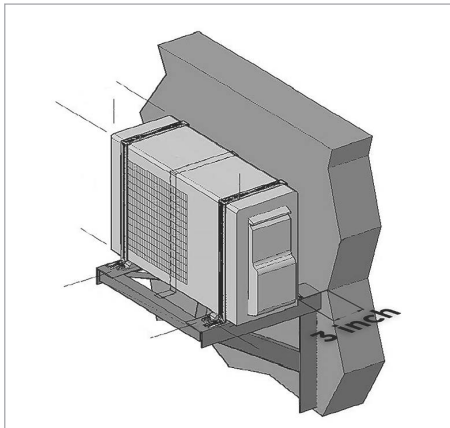


CLEARANCES

INDOOR UNIT Minimum clearance

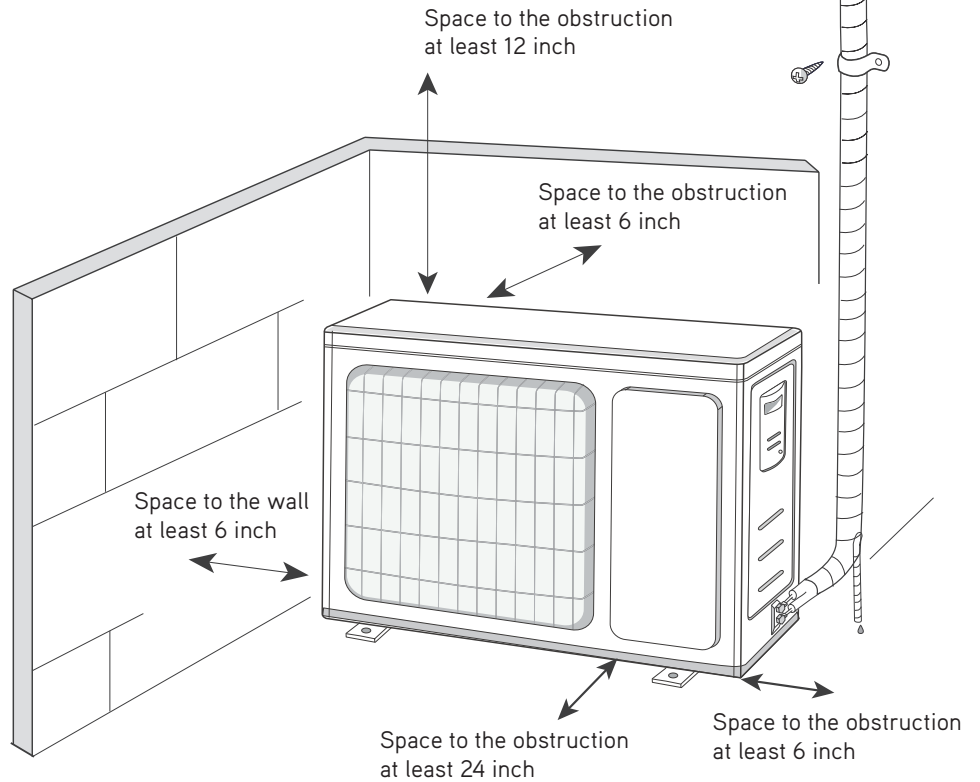


OUTDOOR UNIT Minimum clearance



NOTE:

If bottom of the unit is free of airflow obstructions similar to the mounting bracket figure, the clearance to the wall on the back can be reduced to 3 inches.



Specifications are subject to change without notice. Manufacturer reserves the right to discontinue or modify specifications or designs without notice or without incurring obligations. All Rights reserved.

GREECOMFORT.COM/SYSTEM-DOCUMENTATION