



PARTS MANUAL

OUTDOOR UNIT

MODELS:

3VIR09HP230V1BO
3VIR12HP230V1BO
3VIR18HP230V1BO
3VIR24HP230V1BO

INDOOR UNIT

MODELS:

3VIR09HP230V1BH
3VIR12HP230V1BH
3VIR18HP230V1BH
3VIR24HP230V1BH

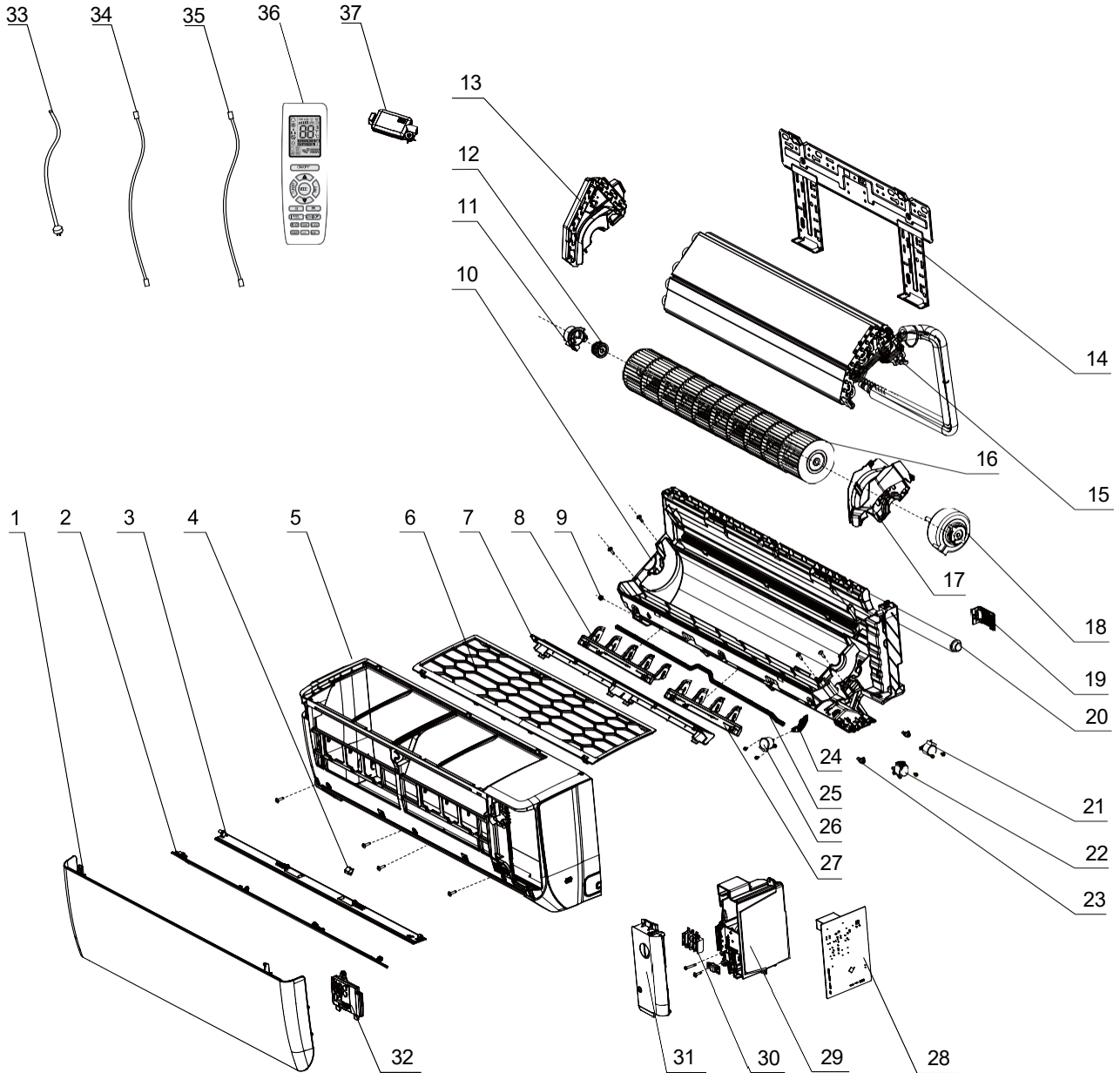
Thank you for choosing our product.
Please read this Parts Manual carefully before operation and
retain it for future reference.

If you lose this Manual, please contact your local distributor or
visit www.greecomcomfort.com/resources now to download and
file the electronic version.

Indoor Unit



3VIR09HP230V1BH
3VIR12HP230V1BH



The component picture is only for reference; please refer to the actual product.

GREE ELECTRIC APPLIANCES INC. OF ZHUHAI
GREECOMFORT.COM



Parts List

| NO. | Description | NO. | Description |
|-----|------------------------------|-----|-------------------------|
| 1 | Front Panel | 20 | Drainage Hose |
| 2 | Guide Louver (upper) | 21 | Stepping Motor |
| 3 | Guide Louver (lower) | 22 | Stepping Motor |
| 4 | Screw Cover | 23 | Crank |
| 5 | Front Case | 24 | Air Louver(auto) |
| 6 | Filter Sub-Assy | 25 | Sweeping connecting rod |
| 7 | Helicoid Tongue | 26 | Stepping Motor |
| 8 | Air Louver(left) | 27 | Air Louver(right) |
| 9 | Left Axile Bush | 28 | Main Board |
| 10 | Rear Case Assy | 29 | Electric Box Assy |
| 11 | Ring of Bearing | 30 | Terminal Board |
| 12 | O-Gasket Sub-Assy of Bearing | 31 | Electric Box Cover |
| 13 | Evaporator Support | 32 | Display Board |
| 14 | Wall Mounting Frame | 33 | Power Cord |
| 15 | Evaporator Assy | 34 | Connecting Cable |
| 16 | Cross Flow Fan | 35 | Connecting Cable |
| 17 | Motor Press Plate | 36 | Remote Controller |
| 18 | Fan Motor | 37 | Detecting plate (WIFI) |
| 19 | Connecting pipe clamp | | |

Some models may not contain some parts, please refer to the actual product.



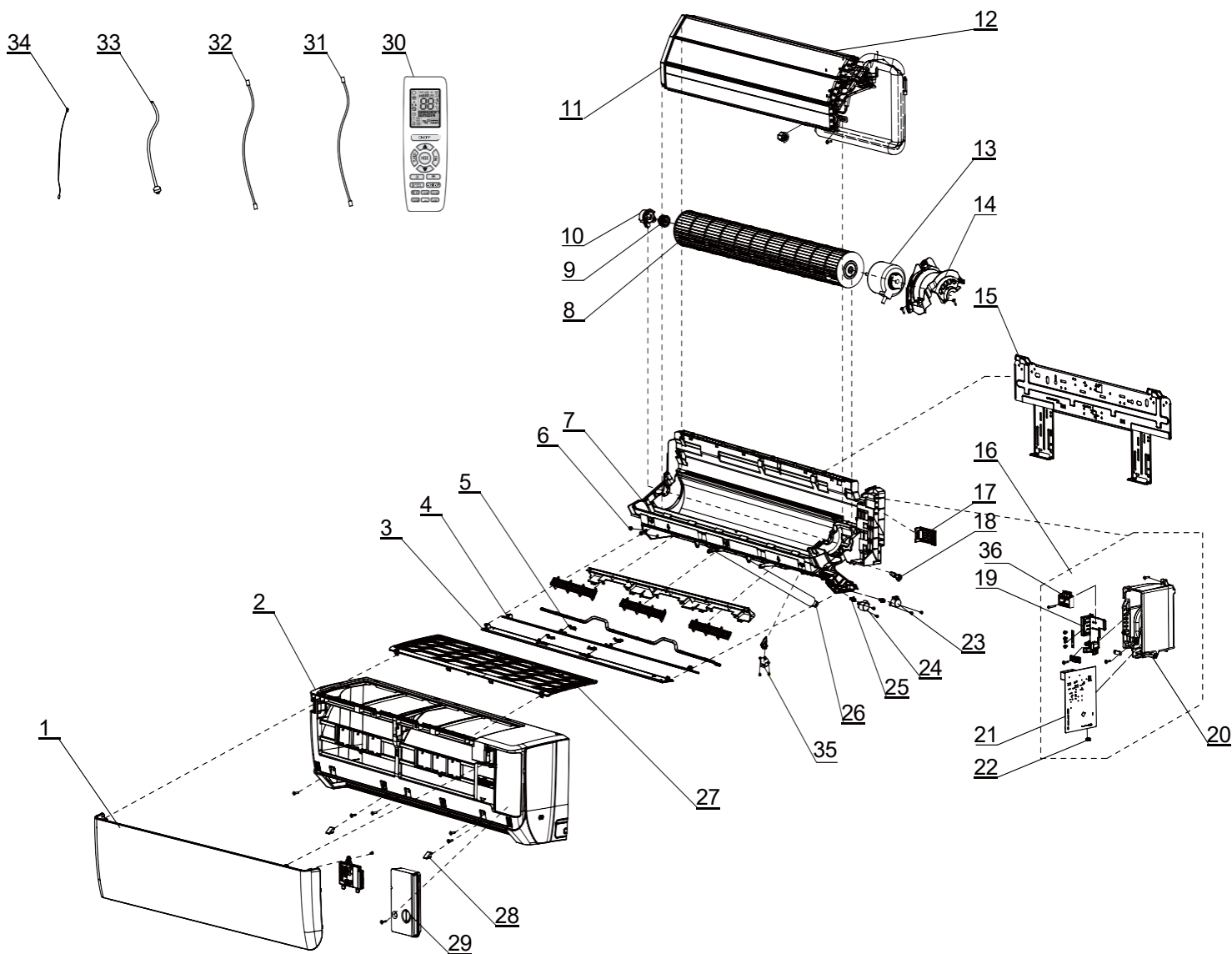
| NO. | Part Description | Qty | Part Code |
|-----|------------------------------|-----|---------------|
| 1 | Front Panel | 1 | 200003060253T |
| 2 | Guide Louver (upper) | 1 | TBD |
| 3 | Guide Louver (lower) | 1 | 200004060154 |
| 4 | Screw Cover | 1 | 200005060003 |
| 5 | Front Case | 1 | 200002060067 |
| 6 | Filter Sub-Assy | 1 | 111001060249 |
| 7 | Helicoid Tongue | 1 | 200006060012 |
| 8 | Air Louver(left) | 1 | 200007060064 |
| 9 | Left Axile Bush | 1 | 10512037 |
| 10 | Rear Case Assy | 1 | 000001060302 |
| 11 | Ring of Bearing | 1 | 26152022 |
| 12 | O-Gasket sub-Assy of Bearing | 1 | 76512051 |
| 13 | Evaporator Support | 1 | 200025060004 |
| 14 | Wall Mounting Frame | 1 | 01252484 |
| 15 | Evaporator Assy | 1 | 011001060430 |
| 16 | Cross Flow Fan | 1 | 103001060004 |
| 17 | Motor Press Plate | 1 | 200020060002 |
| 18 | Fan Motor | 1 | 150104060117 |
| 19 | Connecting pipe clamp | 1 | TBD |
| 20 | Drainage Hose | 1 | 05230014 |
| 21 | Stepping Motor | 1 | 1521210704 |
| 22 | Stepping Motor | 1 | 1521210704 |
| 23 | Crank | 1 | 200023060004 |
| 24 | Air Louver(auto) | 1 | 200007060066 |
| 25 | Sweeping connecting rod | 1 | 200017000001 |
| 26 | Stepping Motor | 1 | 1521210704 |
| 27 | Air Louver(right) | 1 | 200007060065 |
| 28 | Main Board | 1 | 300002061793 |
| 29 | Electric Box Assy | 1 | 100002078254 |
| 30 | Terminal Board | 1 | 422000000022 |
| 31 | Electric Box Cover | 1 | 200082060053 |
| 32 | Display Board | 1 | 300001061195 |
| 33 | Power Cord | 0 | NONE |
| 34 | Connecting Cable | 0 | NONE |
| 35 | Connecting Cable | 0 | NONE |
| 36 | Remote Controller | 1 | 305001060106 |
| 37 | Detecting plate (WIFI) | 1 | TBD |



3VIR12HP230V1BH



| NO. | Part Description | Qty | Part Code |
|-----|------------------------------|-----|---------------|
| 1 | Front Panel | 1 | 200003060253T |
| 2 | Guide Louver (upper) | 1 | TBD |
| 3 | Guide Louver (lower) | 1 | 200004060154 |
| 4 | Screw Cover | 1 | 200005060003 |
| 5 | Front Case | 1 | 200002060067 |
| 6 | Filter Sub-Assy | 1 | 111001060249 |
| 7 | Helicoid Tongue | 1 | 200006060012 |
| 8 | Air Louver(left) | 1 | 200007060064 |
| 9 | Left Axile Bush | 1 | 10512037 |
| 10 | Rear Case Assy | 1 | 000001060302 |
| 11 | Ring of Bearing | 1 | 26152022 |
| 12 | O-Gasket sub-Assy of Bearing | 1 | 76512051 |
| 13 | Evaporator Support | 1 | 200025060004 |
| 14 | Wall Mounting Frame | 1 | 01252484 |
| 15 | Evaporator Assy | 1 | 011001060881 |
| 16 | Cross Flow Fan | 1 | 103001060004 |
| 17 | Motor Press Plate | 1 | 200020060002 |
| 18 | Fan Motor | 1 | 150104060117 |
| 19 | Connecting pipe clamp | 1 | 200017000001 |
| 20 | Drainage Hose | 1 | 05230014 |
| 21 | Stepping Motor | 1 | 1521210704 |
| 22 | Stepping Motor | 1 | 1521210704 |
| 23 | Crank | 1 | 200023060004 |
| 24 | Air Louver(auto) | 1 | 200007060066 |
| 25 | Sweeping connecting rod | 1 | TBD |
| 26 | Stepping Motor | 1 | 1521210704 |
| 27 | Air Louver(right) | 1 | 200007060065 |
| 28 | Main Board | 1 | 300002061793 |
| 29 | Electric Box Assy | 1 | 100002076331 |
| 30 | Terminal Board | 1 | 422000000022 |
| 31 | Electric Box Cover | 1 | 200082060053 |
| 32 | Display Board | 1 | 300001061195 |
| 33 | Power Cord | 0 | NONE |
| 34 | Connecting Cable | 0 | NONE |
| 35 | Connecting Cable | 0 | NONE |
| 36 | Remote Controller | 1 | 305001060106 |
| 37 | Detecting plate (WIFI) | 1 | TBD |



The component picture is only for reference; please refer to the actual product.



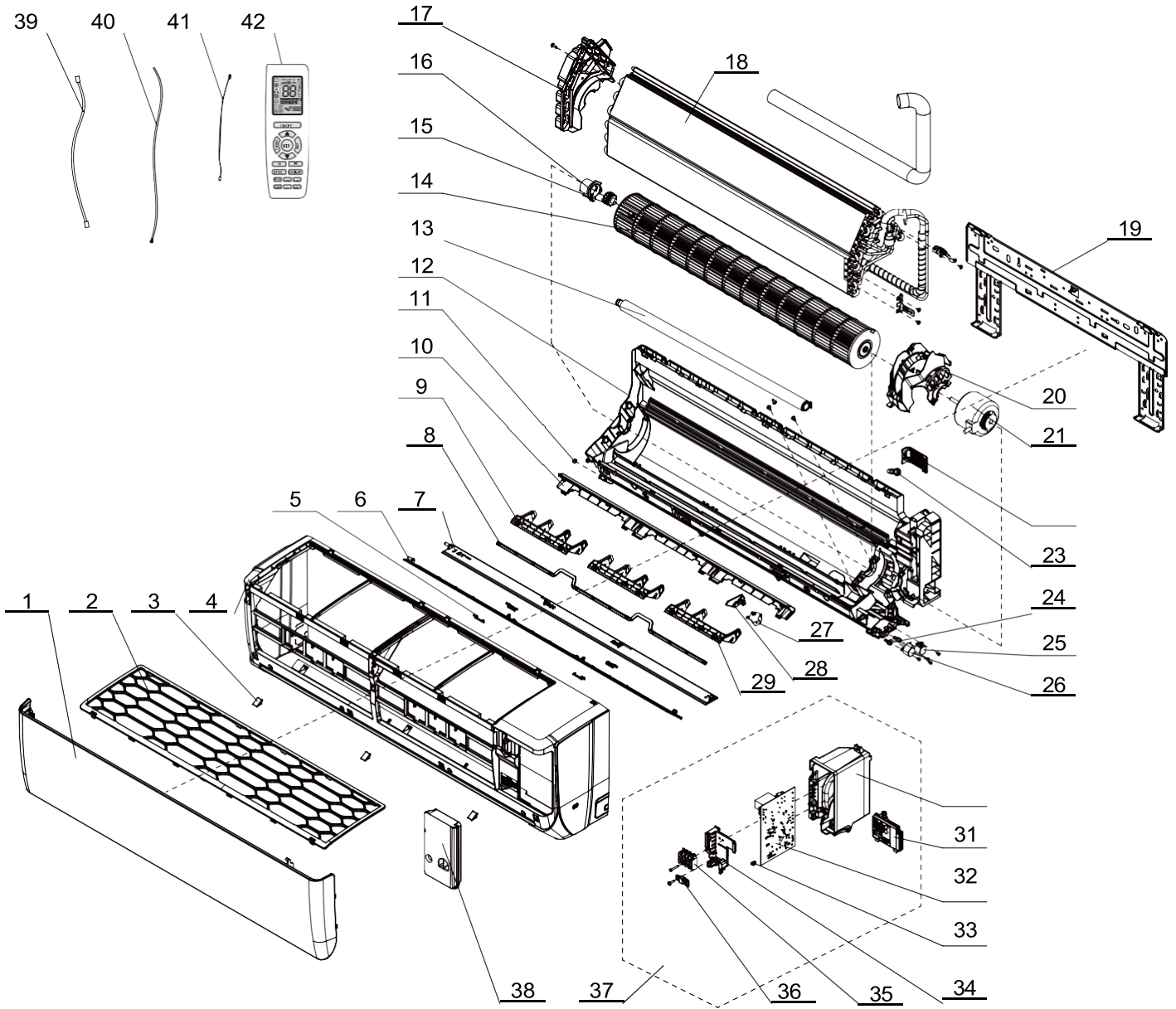
Parts List

| NO. | Description | NO. | Description |
|-----|------------------------------|-----|--------------------|
| 1 | Front Panel | 19 | Supporter |
| 2 | Front Case Assy | 20 | Electric Box |
| 3 | Guide Louver Sub-Assy 1 | 21 | Main Board |
| 4 | Guide Louver Sub-Assy 2 | 22 | Jumper |
| 5 | Plug Pin | 23 | Stepping Motor |
| 6 | Left Axile Bush | 24 | Stepping Motor |
| 7 | Rear Case | 25 | Crank |
| 8 | Cross Flow Fan | 26 | Drainage Hose |
| 9 | Ring of Bearing | 27 | Filter Sub-Assy |
| 10 | O-Gasket Sub-Assy of Bearing | 28 | Screw Cover |
| 11 | Evaporator Support | 29 | Electric Box Cover |
| 12 | Evaporator Assy | 30 | Remote Controller |
| 13 | Fan Motor | 31 | Connecting Cable |
| 14 | Motor Press Plate | 32 | Connecting Cable |
| 15 | Wall Mounting Frame Sub-Assy | 33 | Power Cord |
| 16 | Electric Box Assy | 34 | Temperature Sensor |
| 17 | Connecting pipe clamp | 35 | Stepping Motor |
| 18 | Rubber Plug (Water Tray) | 36 | Terminal board |

Some models may not contain some parts, please refer to the actual product.



| NO. | Part Description | Qty | Part Code |
|-----|--------------------------------|-----|----------------|
| 1 | Front Panel | 1 | 200003060256T |
| 2 | Front Case Assy | 1 | 000002060290 |
| 3 | Guide Louver Sub-Assy (Bottom) | 1 | 000136060118 |
| 4 | Guide Louver Sub-Assy (Top) | 1 | 000136060119 |
| 5 | Plug Pin | 4 | 200033060002 |
| 6 | Left Axile Bush | 2 | 10512037 |
| 7 | Rear Case | 1 | 00000106013201 |
| 8 | Cross Flow Fan | 1 | 103001060017 |
| 9 | Ring of Bearing | 3 | 26152022 |
| 10 | O-Gasket Sub-Assy of Bearing | 1 | 76512051 |
| 11 | Evaporator Support | 1 | 200025060012 |
| 12 | Evaporator Assy | 1 | 011001060869 |
| 13 | Fan Motor | 1 | 15010406008801 |
| 14 | Motor Press Plate | 1 | 200020060007 |
| 15 | Wall Mounting Frame Sub-assy | 1 | 012043060008 |
| 16 | Electric Box Assy | 1 | 100002075437 |
| 17 | Connecting pipe clamp | 1 | 200017060004 |
| 18 | Rubber Plug (Water Tray) | 1 | 76712012 |
| 19 | Supporter | 1 | 200114060044 |
| 20 | Electric Box | 1 | 200013060061 |
| 21 | Main Board | 1 | 300002061782 |
| 22 | Jumper | 1 | 4202021920 |
| 23 | Stepping Motor 1 | 1 | 1521210704 |
| 24 | Stepping Motor 2 | 1 | 1521200606 |
| 25 | Crank | 2 | 200023060004 |
| 26 | Drainage Hose | 1 | 05230014 |
| 27 | Filter Sub-Assy | 1 | 111001060247 |
| 28 | Screw Cover | 2 | 200005060017 |
| 29 | Electric Box Cover | 1 | 200082060050 |
| 30 | Remote Controller | 1 | 305001060106 |
| 31 | Connecting Cable | 0 | NONE |
| 32 | Connecting Cable | 0 | NONE |
| 33 | Power Cord | 0 | NONE |
| 34 | Temperature Sensor | 1 | 3900031302 |
| 35 | Stepping Motor 3 | 1 | TBD |
| 36 | Terminal board | 1 | TBD |



The component picture is only for reference; please refer to the actual product.



Parts List

| NO. | Description | NO. | Description |
|-----|------------------------------|-----|--------------------------|
| 1 | Front Panel | 22 | Connecting pipe clamp |
| 2 | Front Case Assy | 23 | Rubber Plug (Water Tray) |
| 3 | Screw Cover | 24 | Crank |
| 4 | Front Case | 25 | Stepping Motor |
| 5 | Plug Pin | 26 | Stepping Motor |
| 6 | Guide Louver Sub-Assy 1 | 27 | Stepping Motor |
| 7 | Guide Louver Sub-Assy 2 | 28 | Sweep Blade |
| 8 | Sweeping Connecting Rod | 29 | Air Louver (Automatic) |
| 9 | Air Louver (Automatic) | 30 | Electric Box |
| 10 | Helicoid Tongue | 31 | Display Board |
| 11 | Left Axile Bush | 32 | Main Board |
| 12 | Rear Case | 33 | Jumper |
| 13 | Drainage Hose | 34 | Supporter |
| 14 | Cross Flow Fan | 35 | Terminal Board |
| 15 | O-Gasket Sub-Assy of Bearing | 36 | Cable Clamp |
| 16 | Ring of Bearing | 37 | Electric Box Assy |
| 17 | Evaporator Support | 38 | Electric Box Cover |
| 18 | Evaporator Assy | 39 | Connecting Cable |
| 19 | Wall Mounting Frame | 40 | Power Cord |
| 20 | Motor Press Plate | 41 | Temperature Sensor |
| 21 | Fan Motor | 42 | Remote Controller |

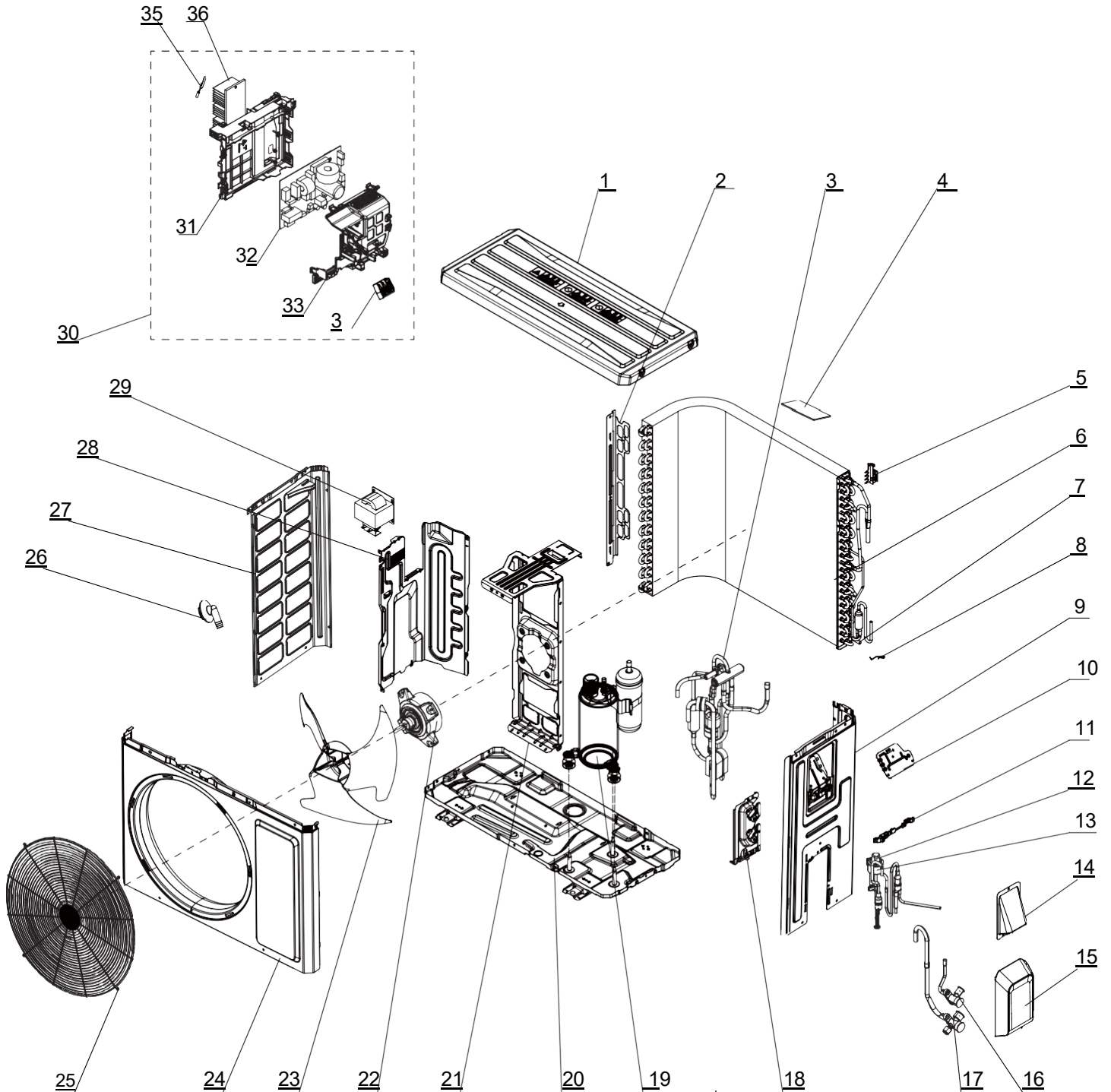
Some models may not contain some parts, please refer to the actual product.



| NO. | Part Description | Qty | Part Code |
|-----|--------------------------------|-----|----------------|
| 1 | Front Panel | 1 | 200003060252T |
| 2 | Front Case | 1 | 000002060289 |
| 3 | Screw Cover | 1 | 200005060021 |
| 4 | Front Case | 1 | 000002060289 |
| 5 | Plug Pin | 4 | 200033060002 |
| 6 | Guide Louver Sub-Assy (Bottom) | 2 | 000136060116 |
| 7 | Guide Louver Sub-Assy (Top) | 1 | 000136060117 |
| 8 | Sweeping Connecting Rod | | TBD |
| 9 | Air Louver (Automatic) | | TBD |
| 10 | Helicoid Tongue | | TBD |
| 11 | Left Axile Bush | 1 | 10512037 |
| 12 | Rear Case | 1 | 000001060192 |
| 13 | Drainage Hose | 1 | 0523001405 |
| 14 | Cross Flow Fan | 1 | 103001060019 |
| 15 | O-Gasket Sub-Assy of Bearing | 1 | 76512051 |
| 16 | Ring of Bearing | 1 | 26152025 |
| 17 | Evaporator Support | 1 | 200025060014 |
| 18 | Evaporator Assy | 1 | 01100106100601 |
| 19 | Wall Mounting Frame | 1 | 012043060012 |
| 20 | Motor Press Plate | 1 | 200020060009 |
| 21 | Fan Motor | 1 | 150104060116 |
| 22 | Connecting pipe clamp | 1 | 200017060004 |
| 23 | Rubber Plug (Water Tray) | 1 | 76712012 |
| 24 | Crank | 1 | 200023060004 |
| 25 | Stepping Motor 1 | 1 | 1521210704 |
| 26 | Stepping Motor 2 | 1 | 1521200607 |
| 27 | Stepping Motor 3 | | TBD |
| 28 | Sweep Blade | | TBD |
| 29 | Air Louver (Automatic) | | TBD |
| 30 | Electric Box | 1 | 200013060061 |
| 31 | Display Board | | TBD |
| 32 | Main Board | 1 | 300002061782 |
| 33 | Jumper | 1 | 4202021928 |
| 34 | Supporter | 1 | 200114060044 |
| 35 | Terminal Board | | TBD |
| 36 | Cable Clamp | 1 | TBD |
| 37 | Electric Box Assy | 1 | 100002078227 |
| 38 | Electric Box Cover | 1 | 200082060050 |
| 39 | Connecting Cable | 0 | NONE |
| 40 | Power Cord | 0 | NONE |
| 41 | Temperature Sensor | 1 | 3900031302 |
| 42 | Remote Controller | 1 | 305001060106 |

3VIR09HP230V1BO

3VIR12HP230V1BO



The component picture is only for reference; please refer to the actual product.

GREE ELECTRIC APPLIANCES INC. OF ZHUHAI
GREECOMFORT.COM



Parts List

| NO. | Description | NO. | Description |
|-----|-----------------------------------|-----|-------------------------|
| 1 | Top Cover Assy | 19 | Compressor and Fittings |
| 2 | Support Board (Condenser) | 20 | Chassis Sub-Assy |
| 3 | 4-way valve Sub-Assy | 21 | Motor Support |
| 4 | Sponge (Condenser) | 22 | Brushless DC Motor |
| 5 | Temperature Sensor Support | 23 | Axial Flow Fan |
| 6 | Condenser Assy | 24 | Cabinet |
| 7 | Temp Sensor Sleeving | 25 | Front Grill |
| 8 | Sensor Insert | 26 | Drainage Joint (ODU) |
| 9 | Right Side Plate | 27 | Left Side Plate Assy |
| 10 | Earthing Plate Sub-Assy | 28 | Clapboard |
| 11 | Wire Clamp | 29 | Reactor |
| 12 | Electric Expansion Valve Sub-Assy | 30 | Electric Box Assy |
| 13 | Electric Expand Valve Fitting | 31 | Electric Box |
| 14 | Cable Cross Plate | 32 | Main Board |
| 15 | Valve Cover | 33 | Electric Box Cover |
| 16 | Cut off Valve Sub-Assy | 34 | Terminal Board |
| 17 | Cut off Valve Sub-Assy | 35 | Temperature Sensor |
| 18 | Valve Support | 36 | Radiator |

Some models may not contain some parts, please refer to the actual product.





3VIR09HP230V1B0



| NO. | Part Description | Qty | Part Code |
|-----|-----------------------------------|-----|-------------------|
| 1 | Top Cover | 1 | 000097060355 |
| 2 | Support Board (Condenser) | 1 | N/A |
| 3 | 4-way valve Sub-Assy | 1 | 30152060896 |
| 4 | Sponge (Condenser) | 1 | N/A |
| 5 | Temperature Sensor Support | 1 | N/A |
| 6 | Condenser Assy | 1 | 011002061734 |
| 7 | Temp Sensor Sleeving | 1 | N/A |
| 8 | Sensor Insert | 1 | N/A |
| 9 | Right Side Plate | 1 | 00008106028901 |
| 10 | Earthing Plate Sub-Assy | 1 | N/A |
| 11 | Wire Clamp | 1 | N/A |
| 12 | Electric Expansion Valve Sub-Assy | 1 | 072009000017 |
| 13 | Electric Expand Valve Fitting | 1 | 07200206002213 |
| 14 | Cable Cross Plate | 1 | TBD |
| 15 | Valve Cover | 1 | 200087060004 |
| 16 | Cut-off valve 3/8(N) | 1 | 070001060023 |
| 17 | Cut-off valve 1/4(N) | 1 | 070001060022 |
| 18 | Valve Support | 1 | 012044060022P |
| 19 | Compressor and Fittings | 1 | 009001060611 |
| 20 | Chassis Sub-Assy | 1 | 017000060759P |
| 21 | Motor Support | 1 | 00004606014801 |
| 22 | Brushless DC Motor | 1 | 15010406009503 |
| 23 | Axial Flow Fan | 1 | 103002060015 |
| 24 | Cabinet | 1 | 01202206001002P01 |
| 25 | Front Grille | 1 | 016004060011 |
| 26 | Drainage Joint (ODU) | 1 | N/A |
| 27 | Left Side Plate Assy | 1 | 012055060395P01 |
| 28 | Clapboard | | 000075060126 |
| 29 | Reactor | 1 | NONE |
| 30 | Electric Box Assy | | 100002075459 |
| 31 | Electric Box | 1 | N/A |
| 32 | Main Board | 1 | 300027062567 |
| 33 | Electric Box Cover | 0 | NONE |
| 34 | Terminal Board | 1 | 42200006007501 |
| 35 | Temperature Sensor | 1 | 3900030805 |
| 36 | Radiator | 1 | NONE |

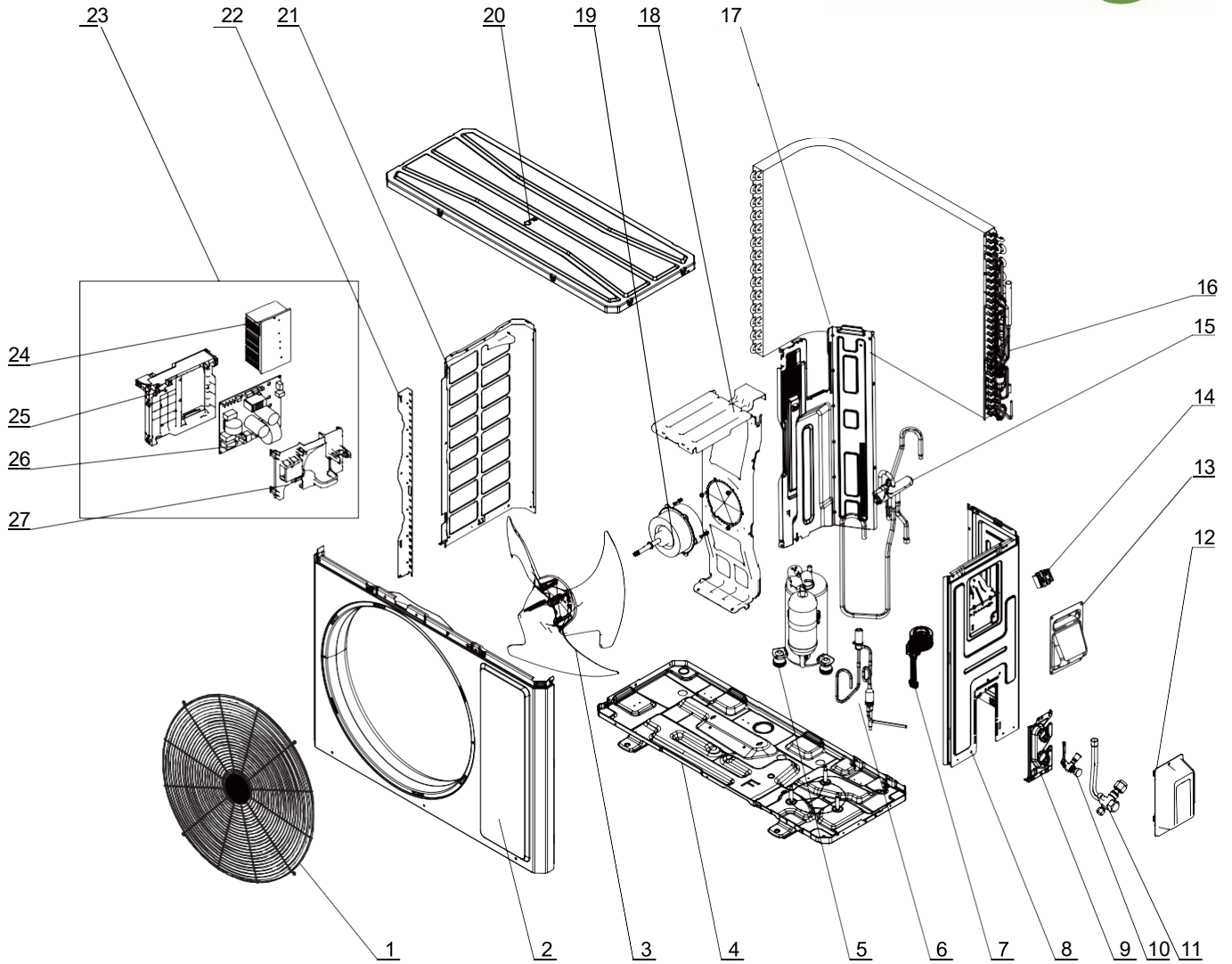


3VIR12HP230V1BO



| NO. | Part Description | Qty | Part Code |
|-----|-------------------------------|-----|-------------------|
| 1 | Top Cover | 1 | 000097060355 |
| 2 | Support Board (Condenser) | 1 | N/A |
| 3 | 4-way valve Sub-Assy | 1 | 30152061146 |
| 4 | Sponge (Condenser) | 1 | N/A |
| 5 | Temperature Sensor Support | 1 | N/A |
| 6 | Condenser Assy | 1 | 011002062026 |
| 7 | Temp Sensor Sleaving | 1 | N/A |
| 8 | Sensor Insert | 1 | N/A |
| 9 | Right Side Plate | 1 | 00008106028901 |
| 10 | Earthing Plate Sub-Assy | 1 | N/A |
| 11 | Wire Clamp | 1 | N/A |
| 12 | Electric Expansion Valve | 1 | 72009000017 |
| 13 | Electric Expand Valve Fitting | 1 | 07200206002213 |
| 14 | Cable Cross Plate | 1 | TBD |
| 15 | Valve Cover | 1 | 200087060004 |
| 16 | Cut-off valve 1/2(N) | 1 | 070001060024 |
| 17 | Cut-off valve 1/4(N) | 1 | 070001060022 |
| 18 | Valve Support | 1 | 012044060022P |
| 19 | Compressor and Fittings | 1 | 009001060664 |
| 20 | Chassis Sub-Assy | 1 | 017000060759P |
| 21 | Motor Support | 1 | 000046060148 |
| 22 | Brushless DC Motor | 1 | 150104060095 |
| 23 | Axial Flow Fan | 1 | 103002060015 |
| 24 | Cabinet | 1 | 01202206001002P01 |
| 25 | Front Grille | 1 | 016004060011 |
| NS | Front Panel | 1 | 000003060750 |
| 26 | Drainage Joint (ODU) | 1 | TBD |
| 27 | Left Side Plate Assy | 1 | 012055060395P01 |
| 28 | Clapboard | 1 | 000075060126 |
| 29 | Reactor | 0 | NONE |
| 30 | Electric Box Assy | 1 | 100002076321 |
| 31 | Electric Box | 1 | N/A |
| 32 | Main Board | 1 | 300027062544 |
| 33 | Electric Box Cover | 0 | NONE |
| 34 | Terminal Board | 1 | 42200006007501 |
| 35 | Temperature Sensor | 1 | 3900030805 |
| 36 | Radiator | 0 | NONE |

3VIR18HP230V1BO



The component is only for reference; please refer to the actual product



Parts List

| NO. | Description | NO. | Description |
|-----|-------------------------------|-----|-----------------------------|
| 1 | Front Grill | 15 | 4-way valve Assy |
| 2 | Cabinet | 16 | Condenser Assy |
| 3 | Axial Flow Fan | 17 | Clapboard Assy |
| 4 | Chassis Sub-Assy | 18 | Motor Support Sub-Assy |
| 5 | Compressor and fittings | 19 | Brushless DC Motor |
| 6 | Electron expansion valve | 20 | Top Cover Assy |
| 7 | Electric Expand Valve Fitting | 21 | Left Side Plate |
| 8 | Right Side Plate Assy | 22 | Condenser Left Border Plate |
| 9 | Valve Support Sub-Assy | 23 | Electric Box Assy |
| 10 | Cut-off Valve | 24 | Radiator |
| 11 | Cut-off Valve | 25 | Electric Box |
| 12 | Valve Cover | 26 | Main Board |
| 13 | Handle | 27 | Electric Box Cover |
| 14 | Terminal Board | | |

Some models may not contain some parts, please refer to the actual product.



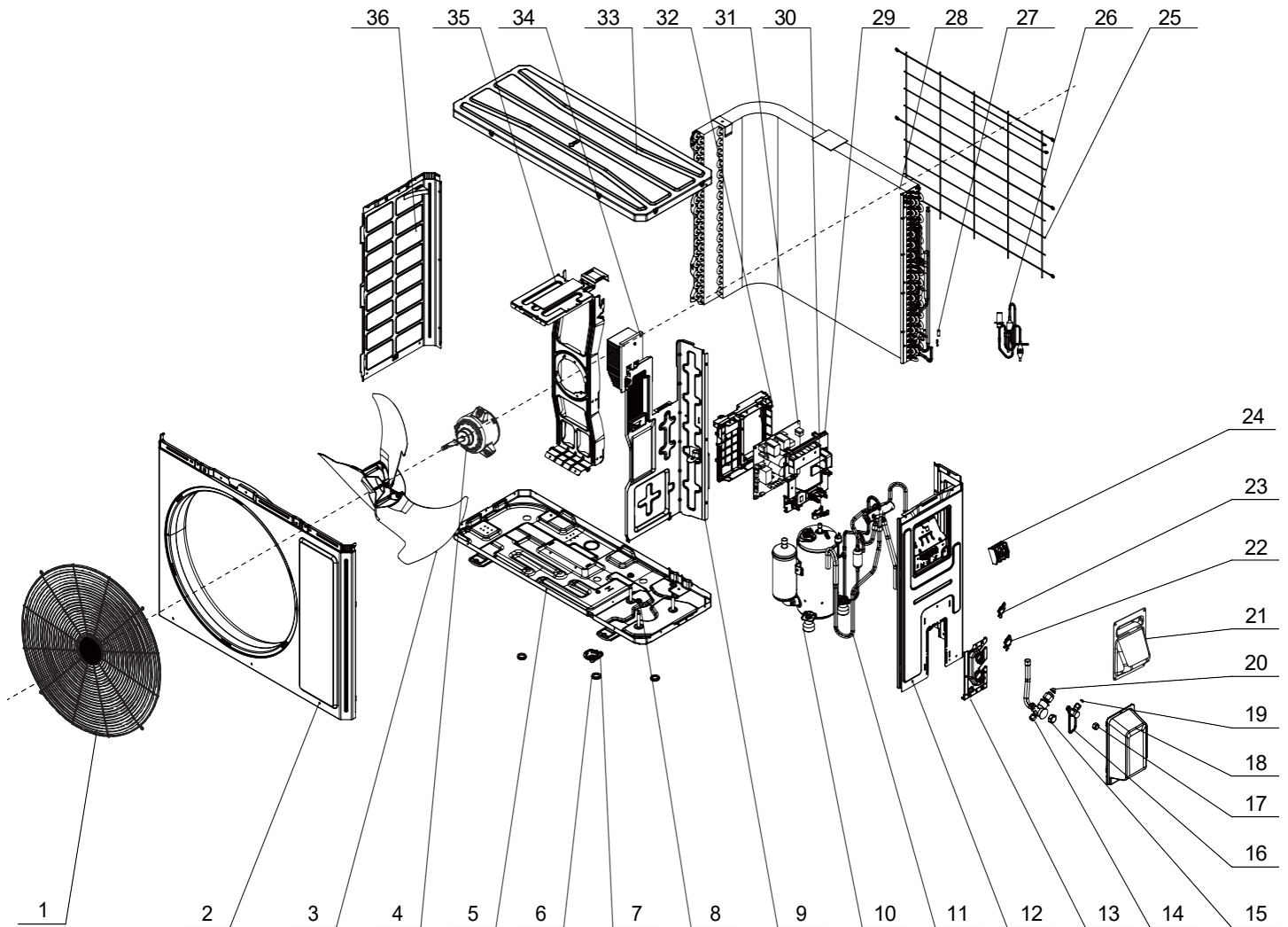


3VIR18HP230V1B0



| NO. | Part Description | Qty | Part Code |
|-----|-------------------------------|-----|-----------------|
| 1 | Front Grille | 1 | 016004060017 |
| 2 | Cabinet (Front Panel) | 1 | 01207306161101P |
| 3 | Axial Flow Fan | 1 | 10335262 |
| 4 | Chassis Sub-Assy | 1 | 01700006076102P |
| 5 | Compressor and fittings | 1 | 009001060783 |
| 6 | Electronic Expansion Valve | 1 | 072009000017 |
| 7 | Electric Expand Valve Fitting | 1 | 07200206002214 |
| 8 | Right Side Plate | 1 | 01205606037704P |
| 9 | Valve Support | 1 | 012044060032P |
| 10 | Cut-off valve 1/4(N) | 1 | 070001060022 |
| 11 | Cut-off valve 5/8(N) | 1 | 070001060032 |
| 12 | Valve Cover | 1 | 200087060005 |
| 13 | Handle | 1 | 01221006000701P |
| 14 | Terminal Board | 1 | 42200006007501 |
| 15 | 4-way valve Assy | 1 | 030152060984 |
| NS | Magnet Coil (4-Way Coil) | 1 | 4300040072 |
| 16 | Condenser Assy | 1 | 011002061983 |
| 17 | Clapboard Assy | 1 | 000075060128 |
| 18 | Motor Support | 1 | 012048060145 |
| 19 | Fan Motor | 1 | 150104060103 |
| 20 | Top Cover | 1 | 000097060333 |
| 21 | Left Side Plate | 1 | 012055060393P |
| 22 | Condenser Left Border Plate | 1 | 012009060219 |
| 23 | Electric Box Assy | 1 | 100002075394 |
| 24 | Radiator | 1 | 43003406011601 |
| 25 | Electric Box | 1 | 20001306008501 |
| 26 | Main Board | 1 | 300027062613 |
| 27 | Electric Box Cover | 1 | 20008206006801 |
| 26 | Temperature Sensor | 1 | 3900030902 |

3VIR24HP230V1BO



The component picture is only for reference; please refer to the actual product.

GREE ELECTRIC APPLIANCES INC. OF ZHUHAI
GREECOMFORT.COM



Parts List

| NO. | Description | NO. | Description |
|-----|-------------------------|-----|---------------------------------|
| 1 | Front Grill | 19 | Union Nut |
| 2 | Cabinet | 20 | Union Nut |
| 3 | Axial Flow Fan | 21 | Handle |
| 4 | Brushless DC Motor | 22 | Support |
| 5 | Chassis Sub-Assy | 23 | Valve Support Baffle |
| 6 | Drainage Plug | 24 | Terminal Board |
| 7 | Drainage Connector | 25 | Rear Grill |
| 8 | Cushioned Nut | 26 | Electronic Expansion Valve Assy |
| 9 | Clap Board Assy | 27 | Temperature Sensor |
| 10 | Compressor and fittings | 28 | Condenser Assy |
| 11 | 4-way Valve Assy | 29 | Electric Box Cover |
| 12 | Right Side Plate Assy | 30 | Pipe Clamp |
| 13 | Valve Support Sub | 31 | Main Board |
| 14 | Cut-off Valve | 32 | Electric box |
| 15 | Back Cover Nut | 33 | Top Cover-Assy |
| 16 | Cut-off Valve | 34 | Motherboard radiator |
| 17 | Back Cover Nut | 35 | Motor Support Sub-Assy |
| 18 | Valve Cover | 36 | Left Side Plate |

Some models may not contain some parts, please refer to the actual product.



| NO. | Part Description | Qty | Part Code |
|-----|------------------------------------|-----|-----------------|
| 1 | Front Grille | 1 | 00003060738 |
| 2 | Cabinet | 1 | 01202206001901P |
| 3 | Axial Flow Fan | 1 | 103002060027 |
| 4 | Fan Motor | 1 | 150104060094 |
| 5 | Chassis Sub-Assy | 1 | 01700006071115P |
| 6 | Drainage Plug | 1 | 06813401 |
| 7 | Drainage Connector | 1 | 26113009 |
| 8 | Cushioned Nut | 1 | 70310013 |
| 9 | Clapboard | 1 | 000075060173 |
| 10 | Compressor and fittings | 1 | 009001060621 |
| 11 | 4-way Valve Assy | 1 | 030152060983 |
| 12 | Right Side Plate Assy | 1 | 00008106022710 |
| 13 | Valve Support Sub | 1 | 012044060031P |
| 14 | Cut-off valve 5/8(N) | 1 | 070001060032 |
| 15 | Back Cover Nut 5/8 | 1 | 035194060002 |
| 16 | Cut-off valve 1/4(N) | 1 | 070001060027 |
| 17 | Back Cover Nut 1/4 | 1 | 03623001 |
| 18 | Valve Cover | 1 | 200087060008 |
| 19 | Pipe Connection Nut ("D" shape) | 1 | 06320004 |
| 20 | Union Nut type I | 1 | 06320005 |
| 21 | Handle | 1 | 01221006000601P |
| 22 | Valve Support | 1 | 00002606002801 |
| 23 | Valve Support Baffle | 1 | 2611301702 |
| 24 | Terminal Board | 1 | TBD |
| 25 | Rear Grille | 1 | 016001060087 |
| 26 | Electronic Expansion Valve | 1 | 030174060249 |
| NS | Electronic Expansion Valve Fitting | 1 | 07200206002301 |
| 27 | Temperature Sensor | 1 | 3900030815 |
| 28 | Condenser Assy | 1 | 011002061925 |
| 29 | Electric Box Cover | 1 | 20008206007701 |
| 30 | Pipe Clamp | 0 | NONE |
| 31 | Main Board | 1 | 300027062530 |
| 32 | Electric Box Assy | 1 | 100002075322 |
| 33 | Top Cover | 1 | 000051060149 |
| 34 | Radiator | 1 | 430034060150 |
| 35 | Motor Support Sub-Assy | 1 | 017012060411 |
| 36 | Left Side Plate | 1 | 012055060389P |