



PARTS MANUAL

OUTDOOR UNIT

MODELS:

3VIR09HP230V1BO
3VIR12HP230V1BO
3VIR18HP230V1BO
3VIR24HP230V1BO

INDOOR UNIT

MODELS:

3VIR09HP230V1BH
3VIR12HP230V1BH
3VIR18HP230V1BH
3VIR24HP230V1BH

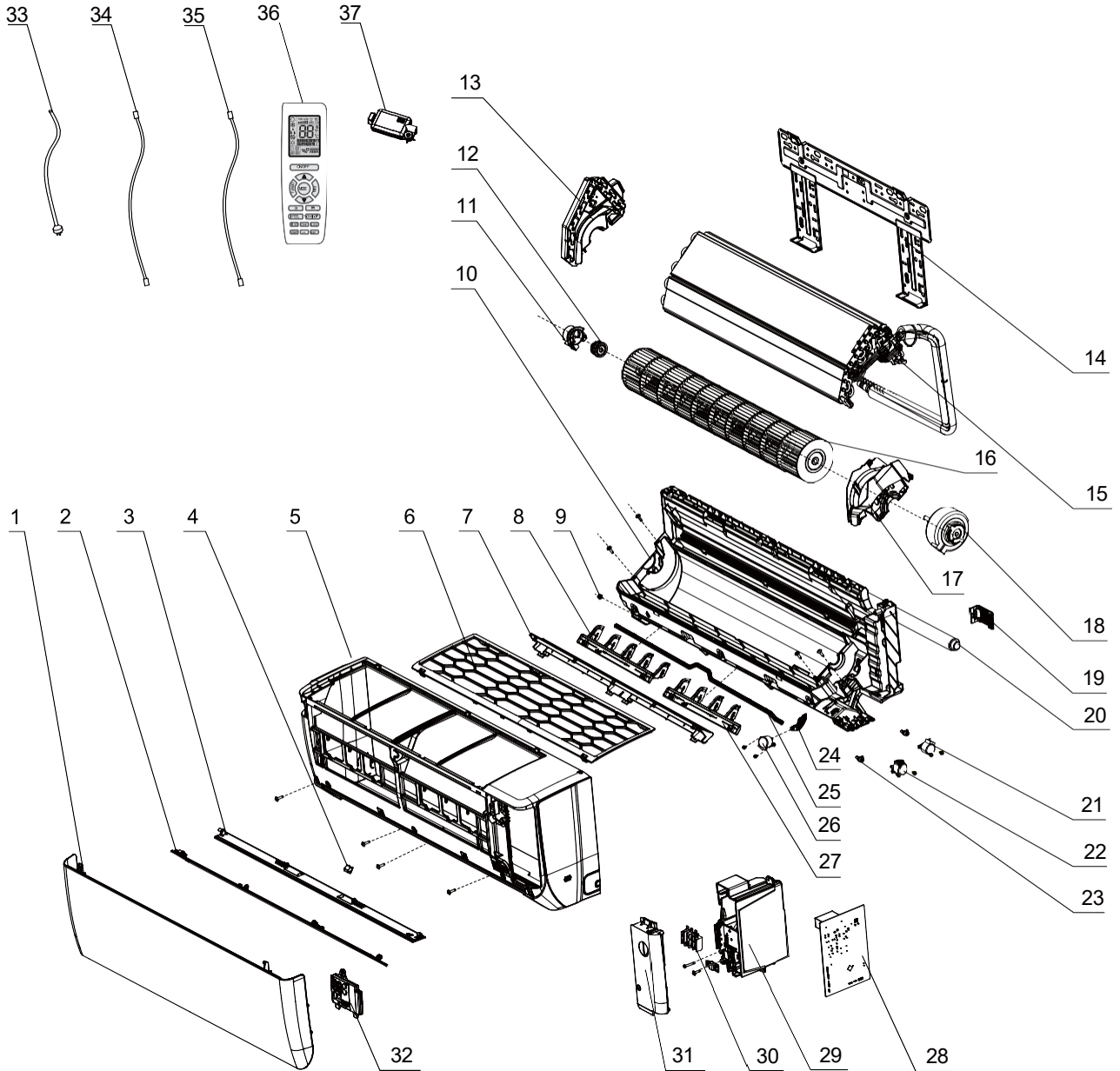
Thank you for choosing our product.
Please read this Parts Manual carefully before operation and
retain it for future reference.

If you lose this Manual, please contact your local distributor or
visit www.greecomcomfort.com/resources now to download and
file the electronic version.

Indoor Unit



3VIR09HP230V1BH
3VIR12HP230V1BH



The component picture is only for reference; please refer to the actual product.

GREE ELECTRIC APPLIANCES INC. OF ZHUHAI
GREECOMFORT.COM



Parts List

NO.	Description	NO.	Description
1	Front Panel	20	Drainage Hose
2	Guide Louver (upper)	21	Stepping Motor
3	Guide Louver (lower)	22	Stepping Motor
4	Screw Cover	23	Crank
5	Front Case	24	Air Louver(auto)
6	Filter Sub-Assy	25	Sweeping connecting rod
7	Helicoid Tongue	26	Stepping Motor
8	Air Louver(left)	27	Air Louver(right)
9	Left Axile Bush	28	Main Board
10	Rear Case Assy	29	Electric Box Assy
11	Ring of Bearing	30	Terminal Board
12	O-Gasket Sub-Assy of Bearing	31	Electric Box Cover
13	Evaporator Support	32	Display Board
14	Wall Mounting Frame	33	Power Cord
15	Evaporator Assy	34	Connecting Cable
16	Cross Flow Fan	35	Connecting Cable
17	Motor Press Plate	36	Remote Controller
18	Fan Motor	37	Detecting plate (WIFI)
19	Connecting pipe clamp		

Some models may not contain some parts, please refer to the actual product.





3VIR09HP230V1BH



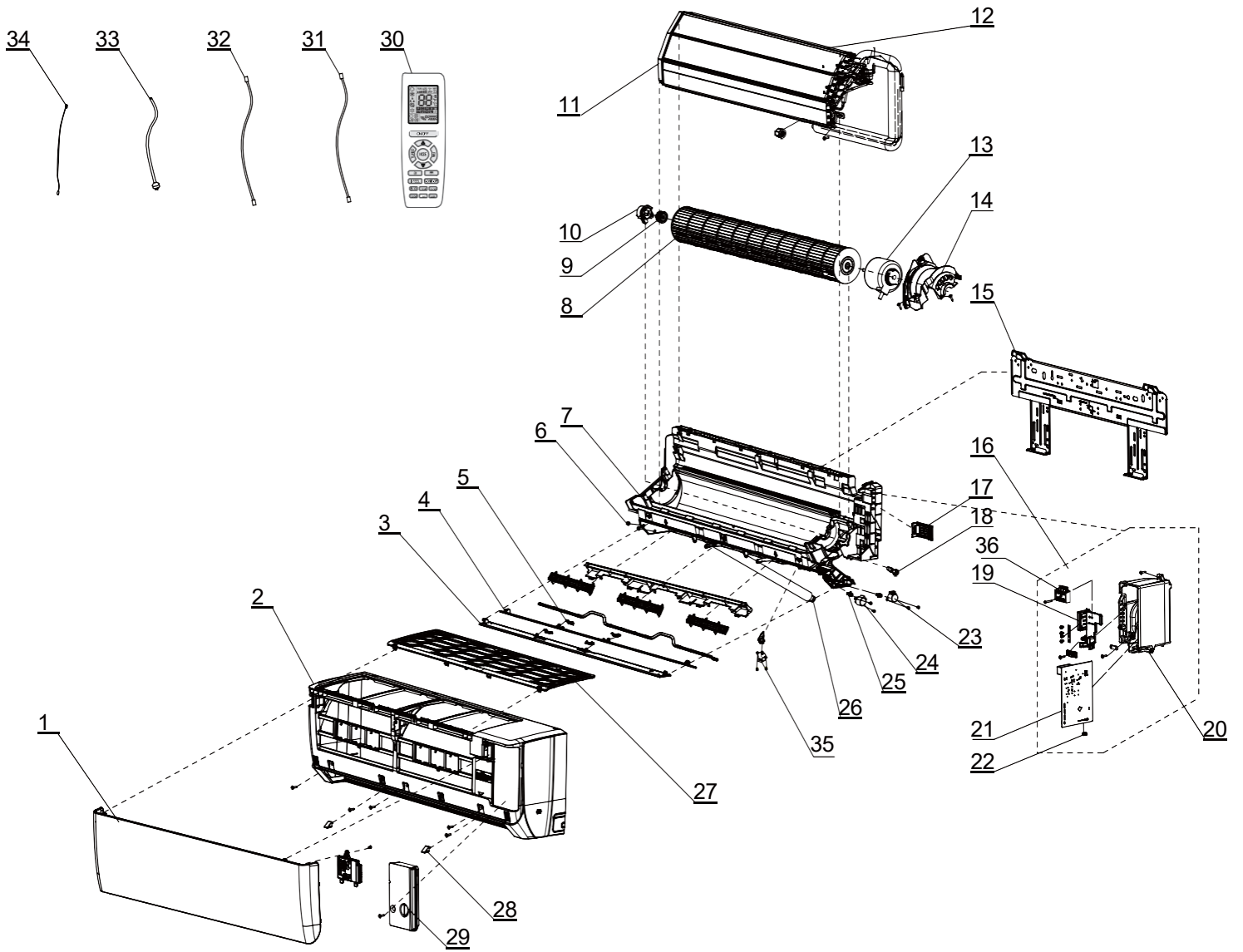
NO.	Part Description	Qty	Part Code
1	Front Panel	1	200003060253T
2	Guide Louver (upper)	1	TBD
3	Guide Louver (lower)	1	200004060154
4	Screw Cover	1	200005060003
5	Front Case	1	200002060067
6	Filter Sub-Assy	1	111001060249
7	Helicoid Tongue	1	200006060012
8	Air Louver(left)	1	200007060064
9	Left Axile Bush	1	10512037
10	Rear Case Assy	1	000001060302
11	Ring of Bearing	1	26152022
12	O-Gasket sub-Assy of Bearing	1	76512051
13	Evaporator Support	1	200025060004
14	Wall Mounting Frame	1	01252484
15	Evaporator Assy	1	011001060430
16	Cross Flow Fan	1	103001060004
17	Motor Press Plate	1	200020060002
18	Fan Motor	1	150104060117
19	Connecting pipe clamp	1	TBD
20	Drainage Hose	1	05230014
21	Stepping Motor	1	1521210704
22	Stepping Motor	1	1521210704
23	Crank	1	200023060004
24	Air Louver(auto)	1	200007060066
25	Sweeping connecting rod	1	200017000001
26	Stepping Motor	1	1521210704
27	Air Louver(right)	1	200007060065
28	Main Board	1	300002061793
29	Electric Box Assy	1	100002078254
30	Terminal Board	1	422000000022
31	Electric Box Cover	1	200082060053
32	Display Board	1	300001061195
33	Power Cord	0	NONE
34	Connecting Cable	0	NONE
35	Connecting Cable	0	NONE
36	Remote Controller	1	305001060106
37	Detecting plate (WIFI)	1	TBD



3VIR12HP230V1BH



NO.	Part Description	Qty	Part Code
1	Front Panel	1	200003060253T
2	Guide Louver (upper)	1	TBD
3	Guide Louver (lower)	1	200004060154
4	Screw Cover	1	200005060003
5	Front Case	1	200002060067
6	Filter Sub-Assy	1	111001060249
7	Helicoid Tongue	1	200006060012
8	Air Louver(left)	1	200007060064
9	Left Axile Bush	1	10512037
10	Rear Case Assy	1	000001060302
11	Ring of Bearing	1	26152022
12	O-Gasket sub-Assy of Bearing	1	76512051
13	Evaporator Support	1	200025060004
14	Wall Mounting Frame	1	01252484
15	Evaporator Assy	1	011001060881
16	Cross Flow Fan	1	103001060004
17	Motor Press Plate	1	200020060002
18	Fan Motor	1	150104060117
19	Connecting pipe clamp	1	200017000001
20	Drainage Hose	1	05230014
21	Stepping Motor	1	1521210704
22	Stepping Motor	1	1521210704
23	Crank	1	200023060004
24	Air Louver(auto)	1	200007060066
25	Sweeping connecting rod	1	TBD
26	Stepping Motor	1	1521210704
27	Air Louver(right)	1	200007060065
28	Main Board	1	300002061793
29	Electric Box Assy	1	100002076331
30	Terminal Board	1	422000000022
31	Electric Box Cover	1	200082060053
32	Display Board	1	300001061195
33	Power Cord	0	NONE
34	Connecting Cable	0	NONE
35	Connecting Cable	0	NONE
36	Remote Controller	1	305001060106
37	Detecting plate (WIFI)	1	TBD



The component picture is only for reference; please refer to the actual product.

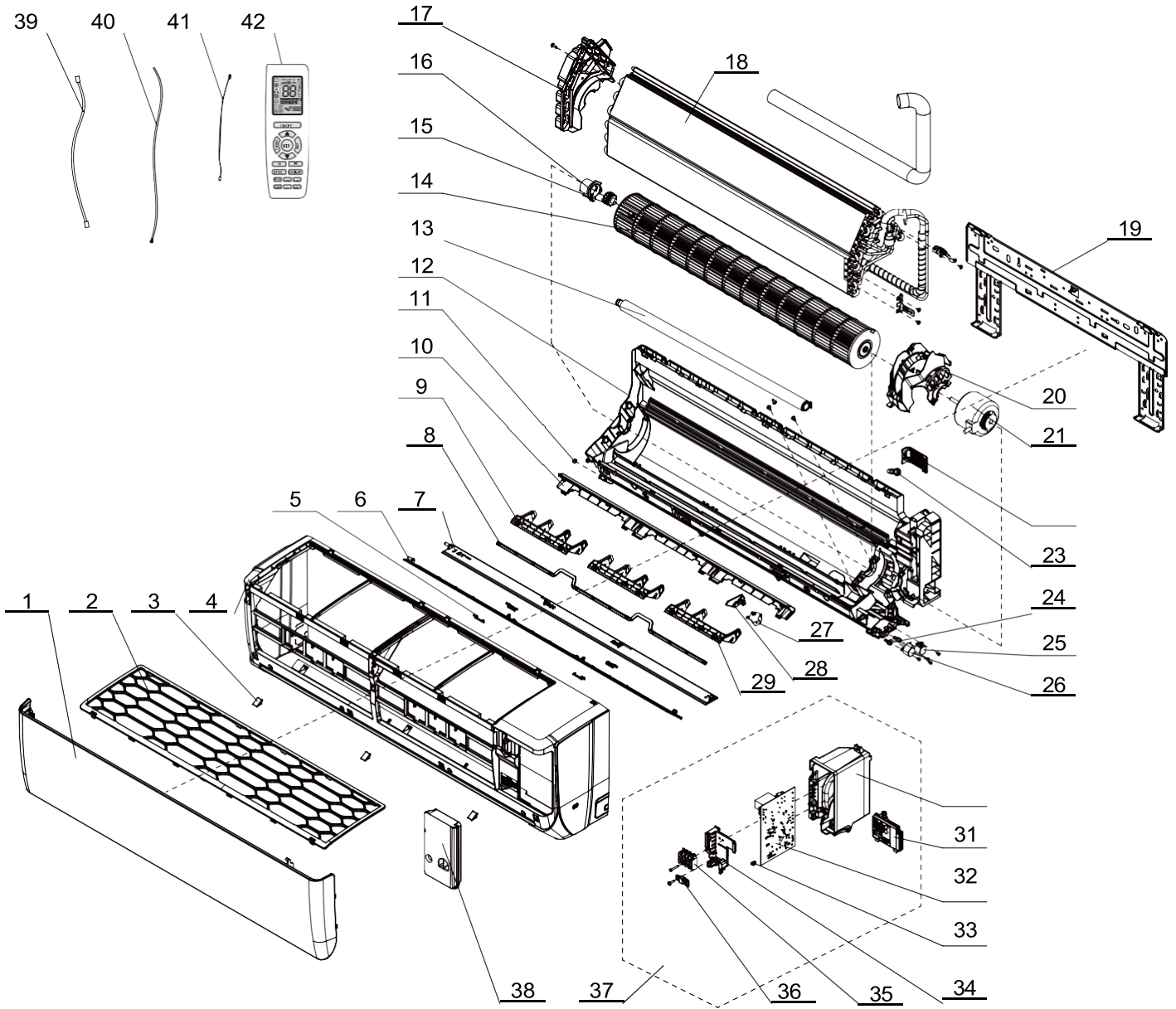
Parts List

NO.	Description	NO.	Description
1	Front Panel	19	Supporter
2	Front Case Assy	20	Electric Box
3	Guide Louver Sub-Assy 1	21	Main Board
4	Guide Louver Sub-Assy 2	22	Jumper
5	Plug Pin	23	Stepping Motor
6	Left Axile Bush	24	Stepping Motor
7	Rear Case	25	Crank
8	Cross Flow Fan	26	Drainage Hose
9	Ring of Bearing	27	Filter Sub-Assy
10	O-Gasket Sub-Assy of Bearing	28	Screw Cover
11	Evaporator Support	29	Electric Box Cover
12	Evaporator Assy	30	Remote Controller
13	Fan Motor	31	Connecting Cable
14	Motor Press Plate	32	Connecting Cable
15	Wall Mounting Frame Sub-Assy	33	Power Cord
16	Electric Box Assy	34	Temperature Sensor
17	Connecting pipe clamp	35	Stepping Motor
18	Rubber Plug (Water Tray)	36	Terminal board

Some models may not contain some parts, please refer to the actual product.



NO.	Part Description	Qty	Part Code
1	Front Panel	1	200003060256T
2	Front Case Assy	1	000002060290
3	Guide Louver Sub-Assy (Bottom)	1	000136060118
4	Guide Louver Sub-Assy (Top)	1	000136060119
5	Plug Pin	4	200033060002
6	Left Axile Bush	2	10512037
7	Rear Case	1	00000106013201
8	Cross Flow Fan	1	103001060017
9	Ring of Bearing	3	26152022
10	O-Gasket Sub-Assy of Bearing	1	76512051
11	Evaporator Support	1	200025060012
12	Evaporator Assy	1	011001060869
13	Fan Motor	1	15010406008801
14	Motor Press Plate	1	200020060007
15	Wall Mounting Frame Sub-assy	1	012043060008
16	Electric Box Assy	1	100002075437
17	Connecting pipe clamp	1	200017060004
18	Rubber Plug (Water Tray)	1	76712012
19	Supporter	1	200114060044
20	Electric Box	1	200013060061
21	Main Board	1	300002061782
22	Jumper	1	4202021920
23	Stepping Motor 1	1	1521210704
24	Stepping Motor 2	1	1521200606
25	Crank	2	200023060004
26	Drainage Hose	1	05230014
27	Filter Sub-Assy	1	111001060247
28	Screw Cover	2	200005060017
29	Electric Box Cover	1	200082060050
30	Remote Controller	1	305001060106
31	Connecting Cable	0	NONE
32	Connecting Cable	0	NONE
33	Power Cord	0	NONE
34	Temperature Sensor	1	3900031302
35	Stepping Motor 3	1	TBD
36	Terminal board	1	TBD



The component picture is only for reference; please refer to the actual product.



Parts List

NO.	Description	NO.	Description
1	Front Panel	22	Connecting pipe clamp
2	Front Case Assy	23	Rubber Plug (Water Tray)
3	Screw Cover	24	Crank
4	Front Case	25	Stepping Motor
5	Plug Pin	26	Stepping Motor
6	Guide Louver Sub-Assy 1	27	Stepping Motor
7	Guide Louver Sub-Assy 2	28	Sweep Blade
8	Sweeping Connecting Rod	29	Air Louver (Automatic)
9	Air Louver (Automatic)	30	Electric Box
10	Helicoid Tongue	31	Display Board
11	Left Axile Bush	32	Main Board
12	Rear Case	33	Jumper
13	Drainage Hose	34	Supporter
14	Cross Flow Fan	35	Terminal Board
15	O-Gasket Sub-Assy of Bearing	36	Cable Clamp
16	Ring of Bearing	37	Electric Box Assy
17	Evaporator Support	38	Electric Box Cover
18	Evaporator Assy	39	Connecting Cable
19	Wall Mounting Frame	40	Power Cord
20	Motor Press Plate	41	Temperature Sensor
21	Fan Motor	42	Remote Controller

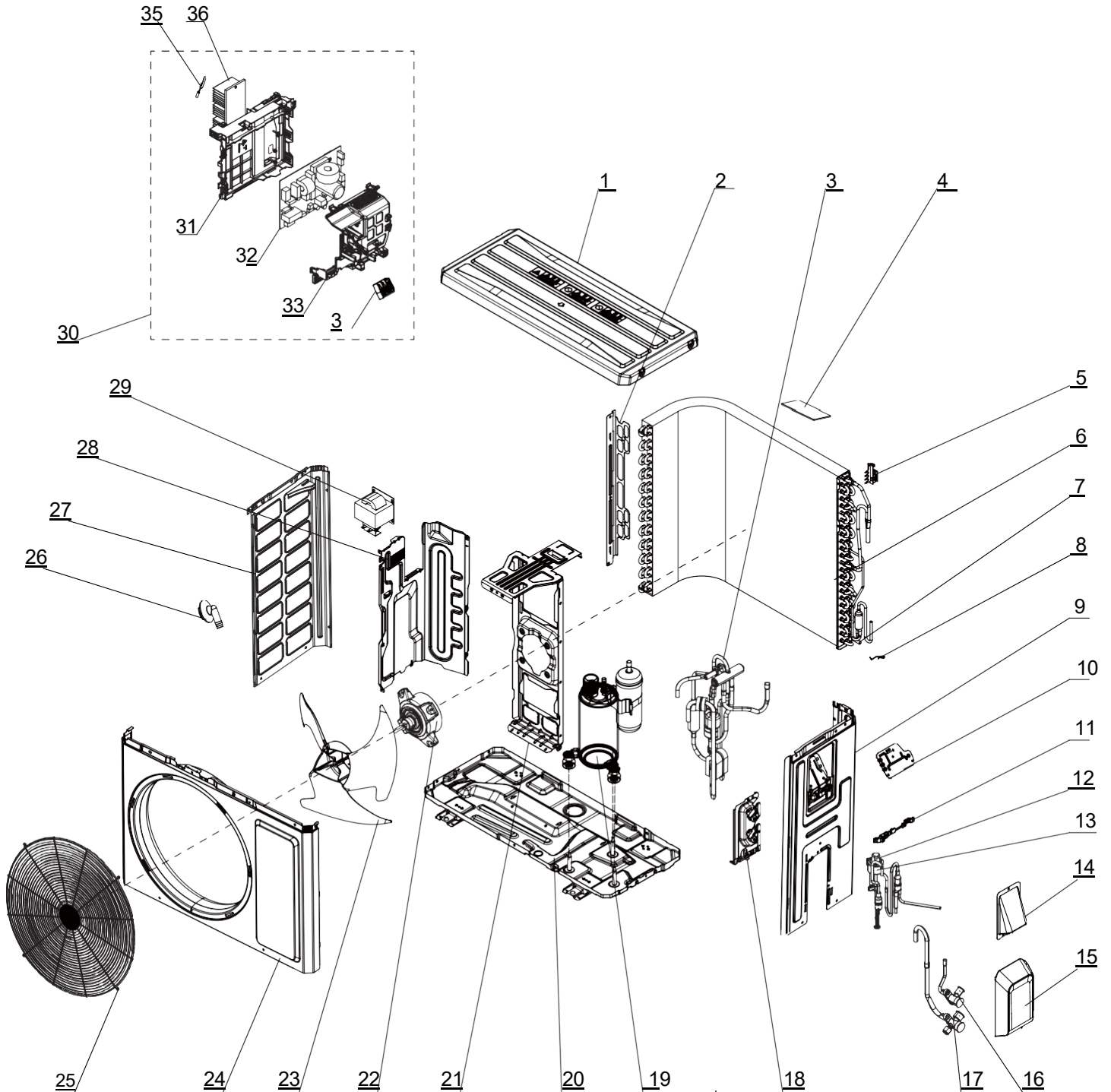
Some models may not contain some parts, please refer to the actual product.



NO.	Part Description	Qty	Part Code
1	Front Panel	1	200003060252T
2	Front Case	1	000002060289
3	Screw Cover	1	200005060021
4	Front Case	1	000002060289
5	Plug Pin	4	200033060002
6	Guide Louver Sub-Assy (Bottom)	2	000136060116
7	Guide Louver Sub-Assy (Top)	1	000136060117
8	Sweeping Connecting Rod		TBD
9	Air Louver (Automatic)		TBD
10	Helicoid Tongue		TBD
11	Left Axile Bush	1	10512037
12	Rear Case	1	000001060192
13	Drainage Hose	1	0523001405
14	Cross Flow Fan	1	103001060019
15	O-Gasket Sub-Assy of Bearing	1	76512051
16	Ring of Bearing	1	26152025
17	Evaporator Support	1	200025060014
18	Evaporator Assy	1	01100106100601
19	Wall Mounting Frame	1	012043060012
20	Motor Press Plate	1	200020060009
21	Fan Motor	1	150104060116
22	Connecting pipe clamp	1	200017060004
23	Rubber Plug (Water Tray)	1	76712012
24	Crank	1	200023060004
25	Stepping Motor 1	1	1521210704
26	Stepping Motor 2	1	1521200607
27	Stepping Motor 3		TBD
28	Sweep Blade		TBD
29	Air Louver (Automatic)		TBD
30	Electric Box	1	200013060061
31	Display Board		TBD
32	Main Board	1	300002061782
33	Jumper	1	4202021928
34	Supporter	1	200114060044
35	Terminal Board		TBD
36	Cable Clamp	1	TBD
37	Electric Box Assy	1	100002078227
38	Electric Box Cover	1	200082060050
39	Connecting Cable	0	NONE
40	Power Cord	0	NONE
41	Temperature Sensor	1	3900031302
42	Remote Controller	1	305001060106

3VIR09HP230V1BO

3VIR12HP230V1BO



The component picture is only for reference; please refer to the actual product.

GREE ELECTRIC APPLIANCES INC. OF ZHUHAI
GREECOMFORT.COM



Parts List

NO.	Description	NO.	Description
1	Top Cover Assy	19	Compressor and Fittings
2	Support Board (Condenser)	20	Chassis Sub-Assy
3	4-way valve Sub-Assy	21	Motor Support
4	Sponge (Condenser)	22	Brushless DC Motor
5	Temperature Sensor Support	23	Axial Flow Fan
6	Condenser Assy	24	Cabinet
7	Temp Sensor Sleeving	25	Front Grill
8	Sensor Insert	26	Drainage Joint (ODU)
9	Right Side Plate	27	Left Side Plate Assy
10	Earthing Plate Sub-Assy	28	Clapboard
11	Wire Clamp	29	Reactor
12	Electric Expansion Valve Sub-Assy	30	Electric Box Assy
13	Electric Expand Valve Fitting	31	Electric Box
14	Cable Cross Plate	32	Main Board
15	Valve Cover	33	Electric Box Cover
16	Cut off Valve Sub-Assy	34	Terminal Board
17	Cut off Valve Sub-Assy	35	Temperature Sensor
18	Valve Support	36	Radiator

Some models may not contain some parts, please refer to the actual product.





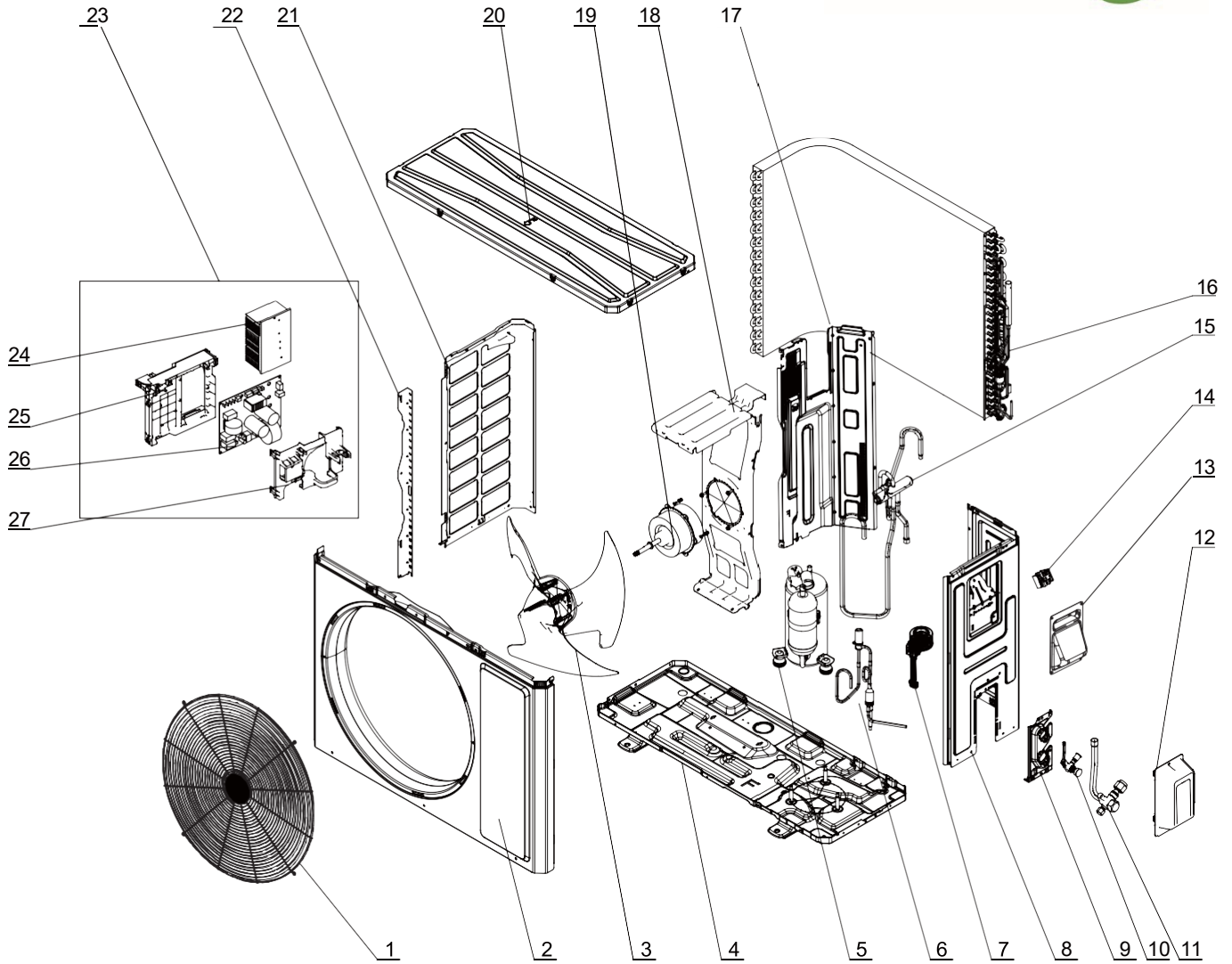
3VIR09HP230V1B0



NO.	Part Description	Qty	Part Code
1	Top Cover	1	000097060355
2	Support Board (Condenser)	1	N/A
3	4-way valve Sub-Assy	1	30152060896
4	Sponge (Condenser)	1	N/A
5	Temperature Sensor Support	1	N/A
6	Condenser Assy	1	011002061734
7	Temp Sensor Sleeving	1	N/A
8	Sensor Insert	1	N/A
9	Right Side Plate	1	00008106028901
10	Earthing Plate Sub-Assy	1	N/A
11	Wire Clamp	1	N/A
12	Electric Expansion Valve Sub-Assy	1	072009000017
13	Electric Expand Valve Fitting	1	07200206002213
14	Cable Cross Plate	1	TBD
15	Valve Cover	1	200087060004
16	Cut-off valve 3/8(N)	1	070001060023
17	Cut-off valve 1/4(N)	1	070001060022
18	Valve Support	1	012044060022P
19	Compressor and Fittings	1	009001060611
20	Chassis Sub-Assy	1	017000060759P
21	Motor Support	1	00004606014801
22	Brushless DC Motor	1	15010406009503
23	Axial Flow Fan	1	103002060015
24	Cabinet	1	01202206001002P01
25	Front Grille	1	016004060011
26	Drainage Joint (ODU)	1	N/A
27	Left Side Plate Assy	1	012055060395P01
28	Clapboard		000075060126
29	Reactor	1	NONE
30	Electric Box Assy		100002075459
31	Electric Box	1	N/A
32	Main Board	1	300027062567
33	Electric Box Cover	0	NONE
34	Terminal Board	1	42200006007501
35	Temperature Sensor	1	3900030805
36	Radiator	1	NONE

NO.	Part Description	Qty	Part Code
1	Top Cover	1	000097060355
2	Support Board (Condenser)	1	N/A
3	4-way valve Sub-Assy	1	30152061146
4	Sponge (Condenser)	1	N/A
5	Temperature Sensor Support	1	N/A
6	Condenser Assy	1	011002062026
7	Temp Sensor Sleaving	1	N/A
8	Sensor Insert	1	N/A
9	Right Side Plate	1	00008106028901
10	Earthing Plate Sub-Assy	1	N/A
11	Wire Clamp	1	N/A
12	Electric Expansion Valve	1	72009000017
13	Electric Expand Valve Fitting	1	07200206002213
14	Cable Cross Plate	1	TBD
15	Valve Cover	1	200087060004
16	Cut-off valve 1/2(N)	1	070001060024
17	Cut-off valve 1/4(N)	1	070001060022
18	Valve Support	1	012044060022P
19	Compressor and Fittings	1	009001060664
20	Chassis Sub-Assy	1	017000060759P
21	Motor Support	1	000046060148
22	Brushless DC Motor	1	150104060095
23	Axial Flow Fan	1	103002060015
24	Cabinet	1	01202206001002P01
25	Front Grille	1	016004060011
NS	Front Panel	1	000003060750
26	Drainage Joint (ODU)	1	TBD
27	Left Side Plate Assy	1	012055060395P01
28	Clapboard	1	000075060126
29	Reactor	0	NONE
30	Electric Box Assy	1	100002076321
31	Electric Box	1	N/A
32	Main Board	1	300027062544
33	Electric Box Cover	0	NONE
34	Terminal Board	1	42200006007501
35	Temperature Sensor	1	3900030805
36	Radiator	0	NONE

3VIR18HP230V1BO



The component is only for reference; please refer to the actual product



Parts List

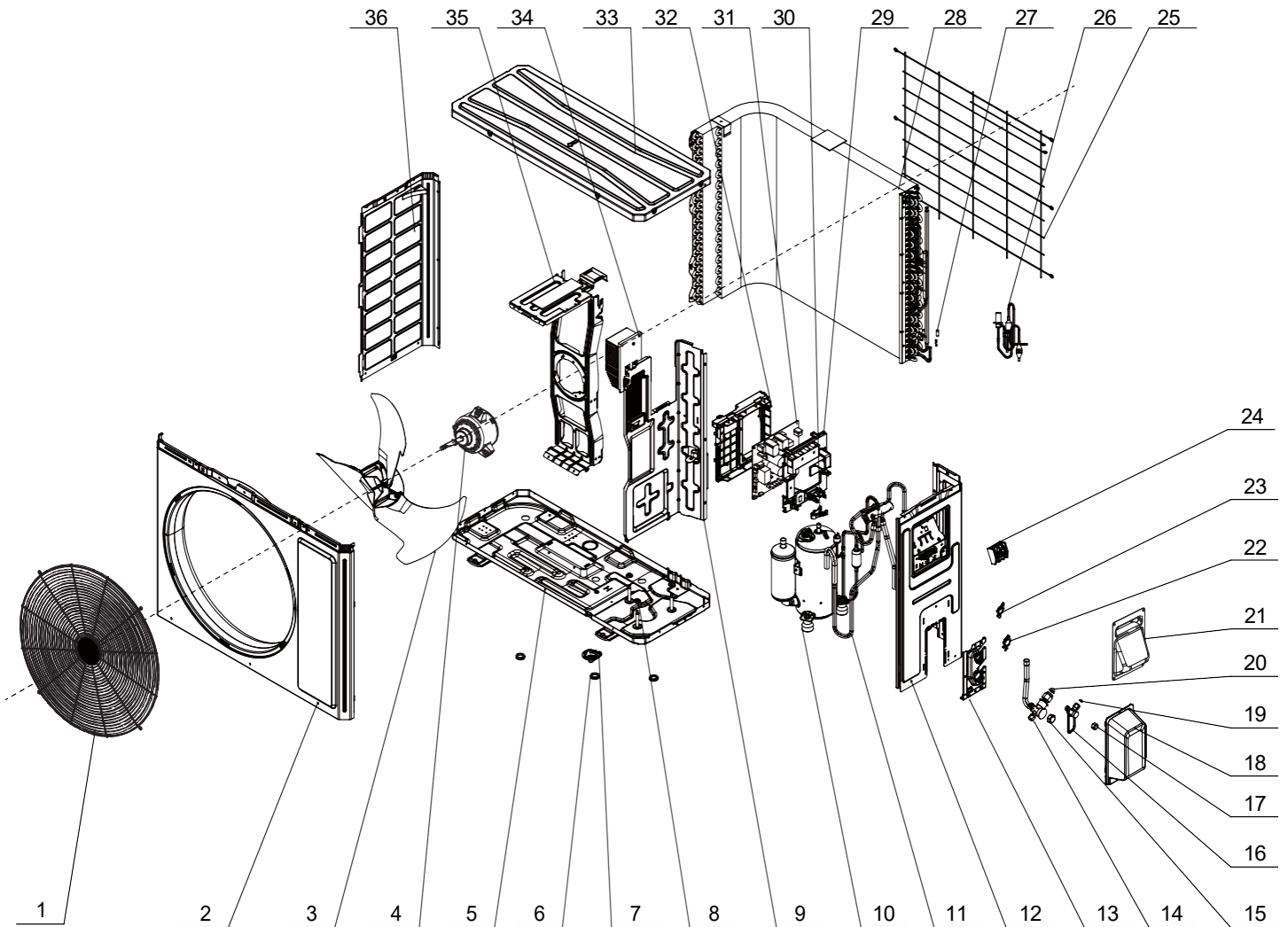
NO.	Description	NO.	Description
1	Front Grill	15	4-way valve Assy
2	Cabinet	16	Condenser Assy
3	Axial Flow Fan	17	Clapboard Assy
4	Chassis Sub-Assy	18	Motor Support Sub-Assy
5	Compressor and fittings	19	Brushless DC Motor
6	Electron expansion valve	20	Top Cover Assy
7	Electric Expand Valve Fitting	21	Left Side Plate
8	Right Side Plate Assy	22	Condenser Left Border Plate
9	Valve Support Sub-Assy	23	Electric Box Assy
10	Cut-off Valve	24	Radiator
11	Cut-off Valve	25	Electric Box
12	Valve Cover	26	Main Board
13	Handle	27	Electric Box Cover
14	Terminal Board		

Some models may not contain some parts, please refer to the actual product.



NO.	Part Description	Qty	Part Code
1	Front Grille	1	016004060017
2	Cabinet (Front Panel)	1	01207306161101P
3	Axial Flow Fan	1	10335262
4	Chassis Sub-Assy	1	01700006076102P
5	Compressor and fittings	1	009001060783
6	Electronic Expansion Valve	1	072009000017
7	Electric Expand Valve Fitting	1	07200206002214
8	Right Side Plate	1	01205606037704P
9	Valve Support	1	012044060032P
10	Cut-off valve 1/4(N)	1	070001060022
11	Cut-off valve 5/8(N)	1	070001060032
12	Valve Cover	1	200087060005
13	Handle	1	01221006000701P
14	Terminal Board	1	42200006007501
15	4-way valve Assy	1	030152060984
NS	Magnet Coil (4-Way Coil)	1	4300040072
16	Condenser Assy	1	011002061983
17	Clapboard Assy	1	000075060128
18	Motor Support	1	012048060145
19	Fan Motor	1	150104060103
20	Top Cover	1	000097060333
21	Left Side Plate	1	012055060393P
22	Condenser Left Border Plate	1	012009060219
23	Electric Box Assy	1	100002075394
24	Radiator	1	43003406011601
25	Electric Box	1	20001306008501
26	Main Board	1	300027062613
27	Electric Box Cover	1	20008206006801
26	Temperature Sensor	1	3900030902

3VIR24HP230V1BO



The component picture is only for reference; please refer to the actual product.

GREE ELECTRIC APPLIANCES INC. OF ZHUHAI
GREECOMFORT.COM



Parts List

NO.	Description	NO.	Description
1	Front Grill	19	Union Nut
2	Cabinet	20	Union Nut
3	Axial Flow Fan	21	Handle
4	Brushless DC Motor	22	Support
5	Chassis Sub-Assy	23	Valve Support Baffle
6	Drainage Plug	24	Terminal Board
7	Drainage Connector	25	Rear Grill
8	Cushioned Nut	26	Electronic Expansion Valve Assy
9	Clap Board Assy	27	Temperature Sensor
10	Compressor and fittings	28	Condenser Assy
11	4-way Valve Assy	29	Electric Box Cover
12	Right Side Plate Assy	30	Pipe Clamp
13	Valve Support Sub	31	Main Board
14	Cut-off Valve	32	Electric box
15	Back Cover Nut	33	Top Cover-Assy
16	Cut-off Valve	34	Motherboard radiator
17	Back Cover Nut	35	Motor Support Sub-Assy
18	Valve Cover	36	Left Side Plate

Some models may not contain some parts, please refer to the actual product.



NO.	Part Description	Qty	Part Code
1	Front Grille	1	00003060738
2	Cabinet	1	01202206001901P
3	Axial Flow Fan	1	103002060027
4	Fan Motor	1	150104060094
5	Chassis Sub-Assy	1	01700006071115P
6	Drainage Plug	1	06813401
7	Drainage Connector	1	26113009
8	Cushioned Nut	1	70310013
9	Clapboard	1	000075060173
10	Compressor and fittings	1	009001060621
11	4-way Valve Assy	1	030152060983
12	Right Side Plate Assy	1	00008106022710
13	Valve Support Sub	1	012044060031P
14	Cut-off valve 5/8(N)	1	070001060032
15	Back Cover Nut 5/8	1	035194060002
16	Cut-off valve 1/4(N)	1	070001060027
17	Back Cover Nut 1/4	1	03623001
18	Valve Cover	1	200087060008
19	Pipe Connection Nut ("D" shape)	1	06320004
20	Union Nut type I	1	06320005
21	Handle	1	01221006000601P
22	Valve Support	1	00002606002801
23	Valve Support Baffle	1	2611301702
24	Terminal Board	1	TBD
25	Rear Grille	1	016001060087
26	Electronic Expansion Valve	1	030174060249
NS	Electronic Expansion Valve Fitting	1	07200206002301
27	Temperature Sensor	1	3900030815
28	Condenser Assy	1	011002061925
29	Electric Box Cover	1	20008206007701
30	Pipe Clamp	0	NONE
31	Main Board	1	300027062530
32	Electric Box Assy	1	100002075322
33	Top Cover	1	000051060149
34	Radiator	1	430034060150
35	Motor Support Sub-Assy	1	017012060411
36	Left Side Plate	1	012055060389P