



## VC4E SERIES

### Single Deck Electric Convection Ovens



Model VC4ED  
Shown on optional casters



### SPECIFIER STATEMENT

Single section, electric convection oven, Vulcan Model No. (VC4ED) (VC4EC). Stainless steel front, sides and top. Painted legs. Independently operated stainless steel doors with double pane windows. Non-sag insulation applied to the top, rear, sides, bottom and doors. Porcelain enamel on steel oven interior measures 29" w x 22 1/8" d x 20" h. Two interior oven lights. Five nickel plated oven racks measure 28 3/4" x 20 1/2". Eleven position nickel plated rack guides with positive rack stops. Heated by electric solid sheath elements rated at 12 KW. Furnished with a two speed 1/2 H.P. oven blower-motor. Oven cool switch for rapid cool down. 208 or 240 volt, 60 Hz, 1 or 3 phase.

#### Exterior Dimensions:

40 1/4" W x 41 1/8" D (includes motor & door handles)

40 1/4" W x 37 3/4" D (includes motor only)

54 3/4" H on 23 3/4" legs\* with feet.

\*Legs can adjust an additional 1" in length.

Legs with casters are adjustable from 28" to 29 3/8" in length.

NSF listed. UL listed. UL listed to Canadian safety standards.

Project \_\_\_\_\_

AIA # \_\_\_\_\_ SIS # \_\_\_\_\_

Item # \_\_\_\_\_ Quantity \_\_\_\_\_ C.S.I. Section 114000

### MODELS

- VC4ED** Solid state temperature controls adjust from 150° to 500°F. 60 minute timer with audible alarm.
- VC4EC** Computer controls with digital time and temperature readouts. 99-hour timer with audible alarm. Roast and Hold cycle. One hundred programmable menu selections. Shelf I.D. programming.

### STANDARD FEATURES

- Stainless steel front, sides and top
- Painted legs
- Independently operated stainless steel doors with double pane windows
- 12.5 total KW
- 1/2 H.P. two speed oven blower-motor
- Moisture vent
- Oven cool switch for rapid cool down
- Porcelain enamel on steel oven interior
- Five nickel plated grab-and-go oven racks with eleven rack positions
- One year limited parts and labor warranty

### OPTIONS

- Complete prison package
  - Security screws only
- Stainless steel legs
- Casters
- Simultaneous chain driven doors
- 480V/60 Hz/1 or 3 phase
- Second year extended limited parts and labor warranty

### ACCESSORIES (PACKAGED AND SOLD SEPARATELY)

- Stainless steel rear motor enclosure
- Extra oven rack(s)
- Rack hanger(s)
- Stainless steel drip pan
- Stainless steel open stand with adjustable rack supports, stainless steel shelf and choice of adjustable feet or casters
- Oven/steamer accessory kit; includes stainless steel marine edge top; requires 8" legs in lieu of standard legs
- Down draft flue diverter for direct vent connection

VC4E SERIES – Single Deck Electric Convection Ovens

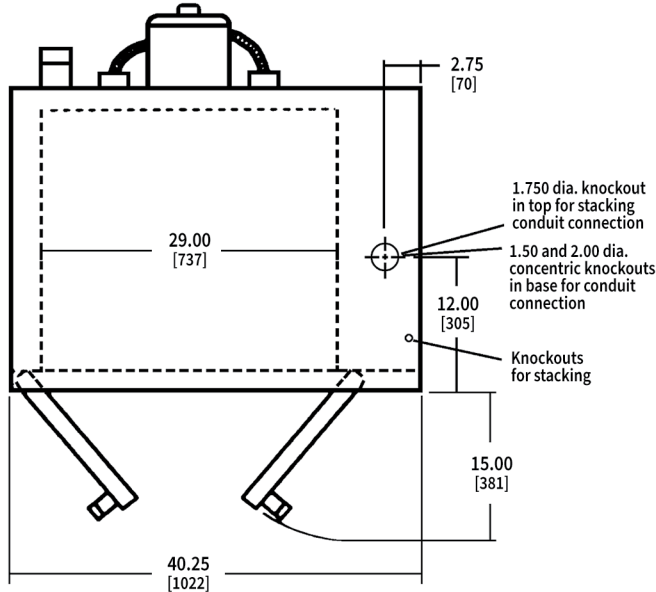
Approved by \_\_\_\_\_ Date \_\_\_\_\_ Approved by \_\_\_\_\_ Date \_\_\_\_\_

## OPTIONAL VOLTAGES

- 480 volt, 60 Hz, 3 phase
- 220/380 volt, 50 Hz, 1 phase, 3 wire
- 220/380 volt, 50 Hz, 3 phase, 4 wire
- 240/415 volt, 50 Hz, 3 phase, 4 wire

## CLEARANCES

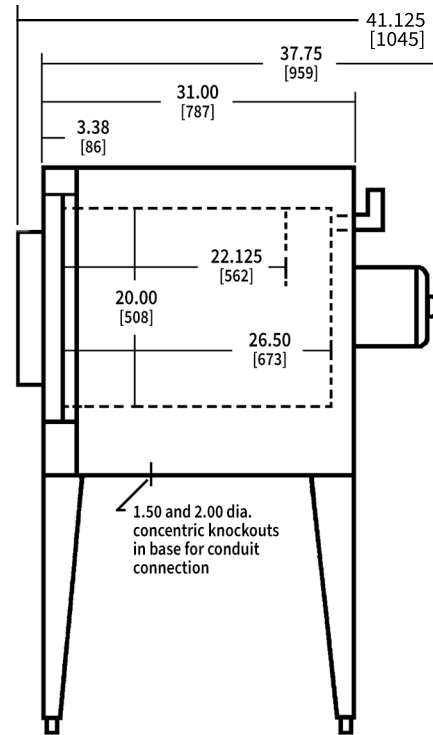
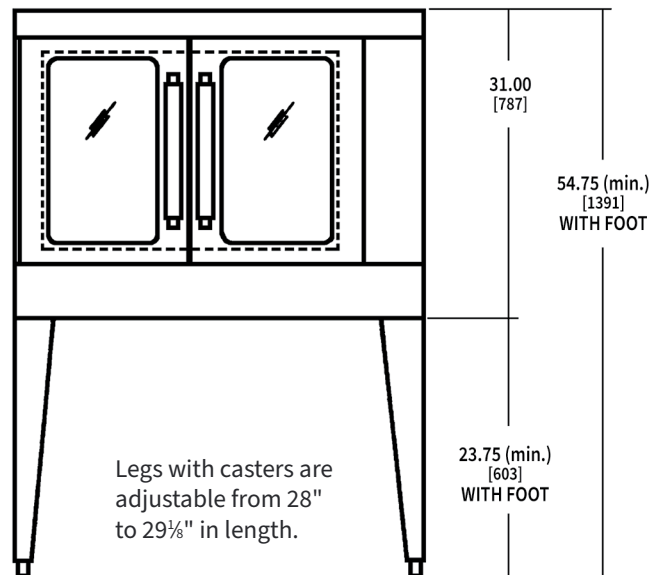
	Combustible	Non-Combustible
Rear	2"	2"
Right Side	4"	4"
Left Side	1"	1"



CAD and/or Revit Files Available

### INSTALLATION MANUAL

40 $\frac{1}{4}$ " W x 41 $\frac{1}{8}$ " D (includes motor & door handles)  
 40 $\frac{1}{4}$ " W x 37 $\frac{3}{4}$ " D (includes motor only)  
 54 $\frac{3}{4}$ " H on 23 $\frac{3}{4}$ " legs\* with feet.  
 \*Legs can adjust an additional 1" in length.



### Nominal Amps per Line Wire

Model	Total Conn.	3 Phase Load KW per Phase		1 Phase		3 Phase									Weight	
		X-Y	Y-Z	X-Z	208 Volt		240 Volt			480 Volt						
					208V	240V	X	Y	Z	X	Y	Z	X	Y		Z
VC4E	12.5 kW	4	4	4.5	60	52	35	33	35	33	29	33	14	15	15	389 lbs (176 KG) without skids/packaging 440 lbs (200 KG) with skids/packaging

As continued product improvement is a policy of Vulcan, specifications are subject to change without notice.