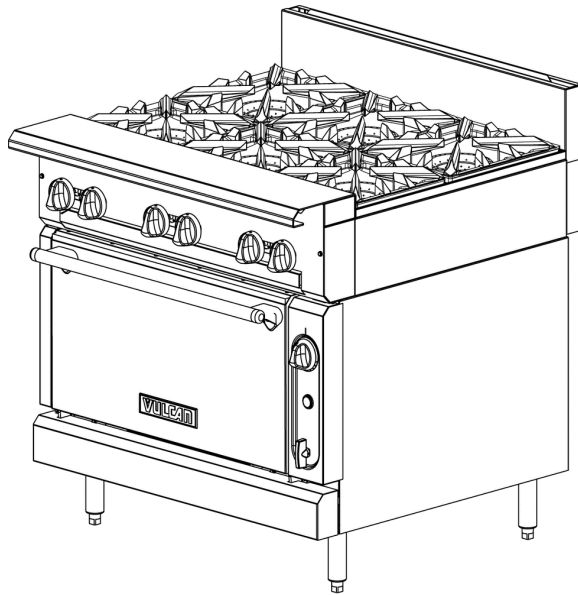




# CATALOG OF REPLACEMENT PARTS



V6B36S Shown

## V SERIES HDR GAS RANGES

### TOPS

Open Top  
Hot Top  
Griddle Top  
Work Surface

### BASES

Standard Oven  
Convection Oven  
Cabinet Base

\*Add "B" for Cabinet Base.

\*Add "S" for Standard Oven Base on  
36" Models.

\*Add "C" for Convection Oven Base on  
36" Models.

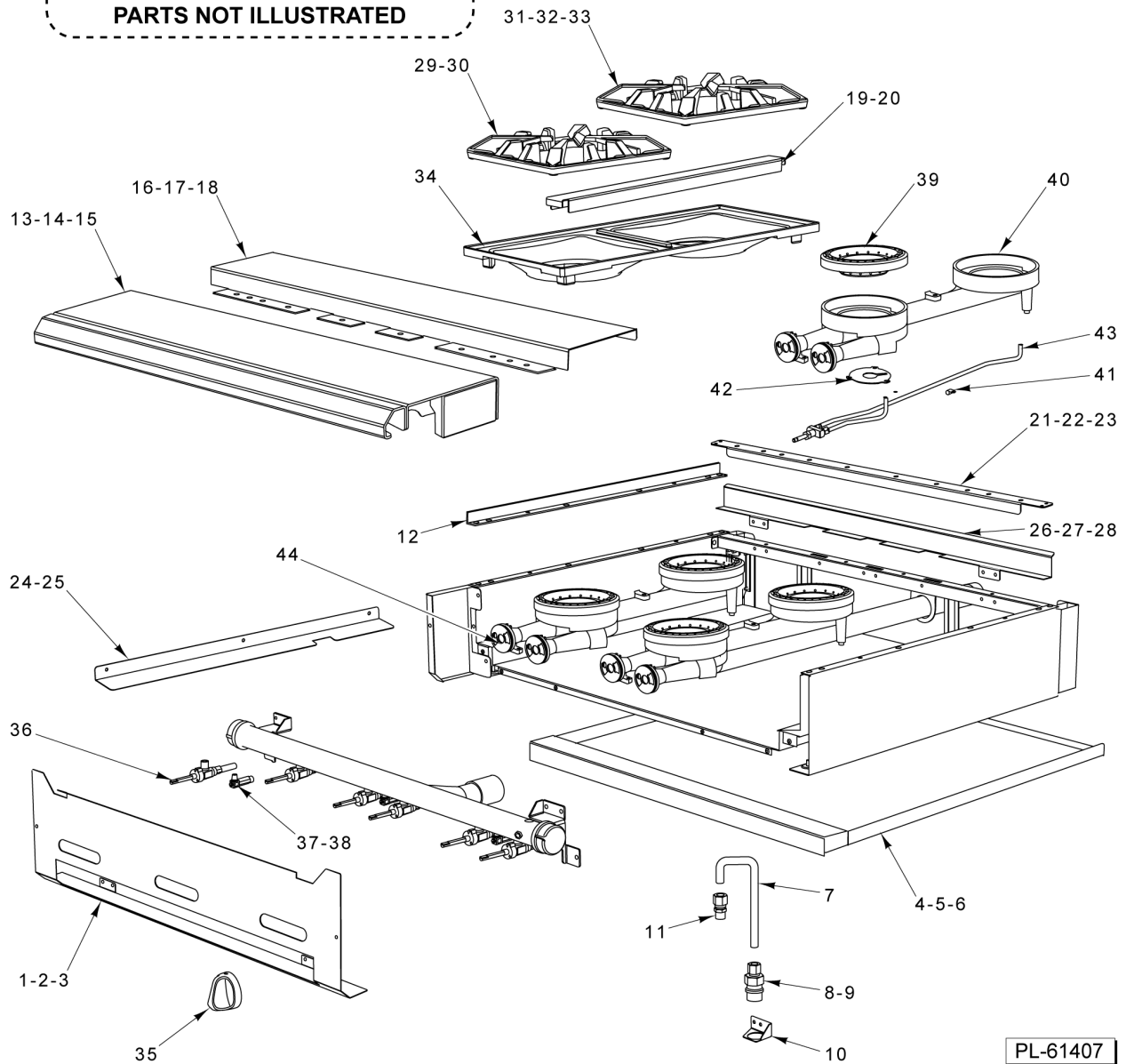


**Table of Contents**

|    |  |
|----|--|
| 5  | 12/24/36 IN OPEN TOP BURNER            |
| 7  | B MODEL 12/18/24/34 IN CABINET BASE    |
| 9  | S MODEL OVEN                           |
| 11 | S MODEL GAS MANIFOLD ASSY              |
| 13 | C MODEL OVEN                           |
| 15 | C MODEL GAS MANIFOLD ASSY              |
| 17 | 36 IN - 4 & 18 IN - 2 OPEN TOP BURNER  |
| 19 | 24/36 IN CHAR BROILER                  |
| 21 | 18/36 IN FRENCH TOP RADIAL FIN HOT TOP |
| 23 | 18/24/36 IN THERMO CONTROL GRIDDLE TOP |
| 25 | 18/24/36 IN MANUAL CONTROL GRIDDLE TOP |
| 27 | 12/18/24/36 IN WORK TOP                |
| 29 | 18/36 IN STEP UP OPEN TOP BURNER       |
| 31 | 36 IN 6 OPEN TOP STEP UP BURNER        |
| 33 | STEP UP BURNER ASSEMBLY                |

- |    |                 |                  |
|----|-----------------|------------------|
| 45 | 00-497994-00001 | Cap - End (RH)   |
| 46 | 00-499803-00001 | Cap - End (LH)   |
| 47 | 00-957067-000G1 | Riser - Stub 36" |
| 48 | 00-957066-000G1 | Riser - Stub 24" |
| 49 | 00-957064-000G1 | Riser - Stub 12" |
| 50 | 00-404060-00001 | Mixer - Air      |

**PARTS NOT ILLUSTRATED**



**12/24/36 IN OPEN TOP BURNER**

## 12/24/36 IN OPEN TOP BURNER

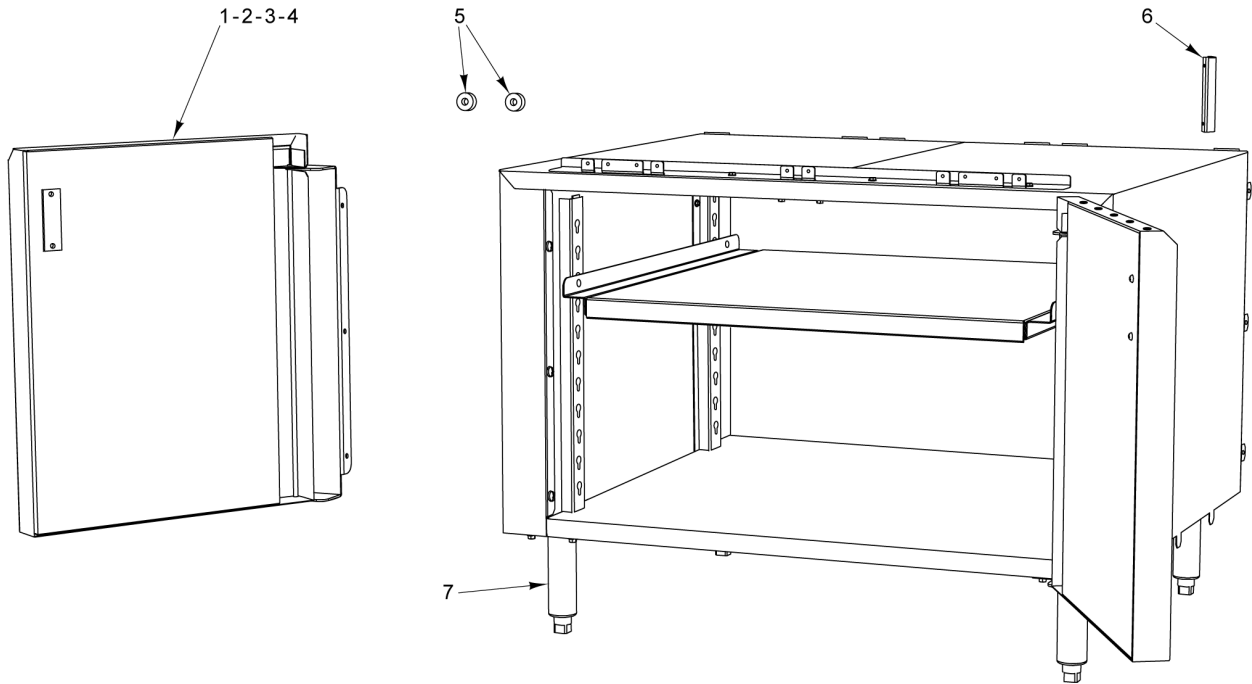
| ILLUS.   | PART NO.        | NAME OF PART  | AMT. |
|----------|-----------------|---|------|
| PL-61407 |                 |   |      |
| 1        | 00-957575-00002 | Cover - Manifold 36" (6 Open Top Burner).....                 | 1    |
| 2        | 00-957570-00001 | Cover Manifold 24" (4 Open Top Burner).....                   | 1    |
| *3       | 00-957559-00001 | Cover - Manifold 12" (2 Open Top Burner).....                 | 1    |
| 4        | 00-499006-000G2 | Tray - Crumb (SST) 36" (6 Open Top Burner).....               | 1    |
| 5        | 00-956724-000G2 | Tray - Crumb (SST) 24" (4 Open Top Burner).....               | 1    |
| 6        | 00-499969-000G2 | Tray - Crumb (SST) 12" (2 Open Top Burner).....               | 1    |
| 7        | 00-426509-00010 | Tube - Flex 1/2" O.D. 10" Lg.....                             | 1    |
| 8        | 00-426509-00010 | Tube - Flex 1/2" O.D. 10" Lg.....                             | 1    |
| 9        | FP-012-02       | Fitting - Tube 1/2 TBG X 3/8 MPT.....                         | 1    |
| 10       | 00-499047-00001 | Bracket - Disconnect.....                                     | 1    |
| 11       | FP-012-02       | Fitting - Tube 1/2 TBG X 3/8 MPT.....                         | 1    |
| 12       | 00-497984-00001 | Retainer - Grate.....   | 2    |
| 13       | 00-957236-000G1 | Front Top Assy. 36" (6 Open Top Burner).....                  | 1    |
| 14       | 00-956705-000G1 | Front Top Assy. 24" (4 Open Top Burner).....                  | 1    |
| 15       | 00-499966-000G1 | Front Top Assy. 12" (2 Open Top Burner).....                  | 1    |
| *16      | 00-957235-000G1 | Front Top Assy - Condiment Rail 36" (6 Open Top Burner).....  | 1    |
| 17       | 00-957239-000G1 | Front Top Slide Rail Assy. 36" (6 Open Top Burner).....       | 1    |
| 18       | 00-957357-000G1 | Front Top Assy. - Condiment Rail 24" (4 Open Top Burner)..... | 1    |
| 19       | 00-499493-00001 | Support - Grate (Alum.).....                                  | 1    |
| 20       | 00-499493-00002 | Support - Grate (SST).....                                    | 1    |
| 21       | 00-499001-00002 | Support - HD Burner (SST) 36" (6 Open Top Burner).....        | 1    |
| 22       | 00-956718-00002 | Support - HD Burner (SST) 24" (4 Open Top Burner).....        | 1    |
| 23       | 00-499965-00002 | Support - HD Burner (SST) 12" (2 Open Top Burner).....        | 1    |
| 24       | 00-499002-00003 | Deflector - HD Splash L.H. (SST).....                         | 1    |
| 25       | 00-499002-00004 | Deflector - HD Splash R.H. (SST).....                         | 1    |
| 26       | 00-499615-00002 | Deflector - Rear (SST) 36" (6 Open Top Burner).....           | 1    |
| 27       | 00-956725-00002 | Deflector - Rear (SST) 24" (4 Open Top Burner).....           | 1    |
| 28       | 00-499935-00001 | Deflector - Rear (SST) 12" (2 Open Top Burner).....           | AR   |
| 29       | 00-959325-00001 | Grate - Front 12 In (New Construction).....                   | AR   |
| 30       | 00-959325-00001 | Grate - Front 12 In (Previous Construction).....              | AR   |
| 31       | 00-959325-00002 | Grate - Rear 12 In (New Construction).....                    | AR   |
| 32       | 00-957369-00001 | Grate - Rear 12" (Before S/N 481808643).....                  | AR   |
| 33       | 00-959325-00002 | Grate - Rear 12 In (Starting S/N 481808643).....              | 1    |
| 34       | 00-957341-00001 | Bowl - Rear 12" Double (Previous Construction).....           | AR   |
| 35       | 00-499712-00001 | Knob - HD Burner.....   | AR   |
| **36     | 00-957367-00001 | Valve - Burner Does not include orifice spud.....             | AR   |
| 37       | 00-959108-000G1 | Pilot - Kit Open Top Burners (Standard Burners).....          | AR   |
| 38       | 00-959108-000G2 | Pilot Assy. - Step Up (Step Up Burners).....                  | AR   |
| 39       | 00-957343-00002 | Burner - Head 6".....   | AR   |
| 40       | 00-957342-00001 | Venturi Assy.....   | AR   |
| 41       | 00-402558-00004 | Clip - Tubing.....  | AR   |
| 42       | 00-958073-00002 | Plate - Restrictor.....                                       | AR   |
| 43       | 00-959108-000G1 | Pilot - Kit Open Top Burners.....                             | AR   |
| 44       | 00-404060-00001 | Mixer - Air.....  | AR   |
| 45       | 00-497994-00001 | Cap - End (RH).....   | 1    |
| 46       | 00-499803-00002 | Cap - End (LH).....   | 1    |
| 47       | 00-957067-000G1 | Riser - Stub 36" W/Alum. Back 36" (6 Open Top Burner).....    | 1    |
| 48       | 00-957066-000G1 | Riser - Stub 24" W/Alum. Back 24" (4 Open Top Burner).....    | 1    |
| 49       | 00-957064-000G1 | Riser - Stub 12" W/Alum. Back 12" (2 Open Top Burner).....    | 1    |
| 50       | 00-404060-00001 | Mixer - Air.....  | 1    |
| 51       | 00-010901-00042 | Orifice - Spud (Nat. Gas) FOR SEA LEVEL TO 2499'.....         | AR   |
| 52       | 00-010901-00052 | Orifice - Spud (LP Gas) FOR SEA LEVEL TO 2499'.....           | AR   |

\* No Longer Available

\*\* Must Order Orifice Spud Separately Item 51 for Natural and Item 52 for Propane .

- |    |                 |                     |
|----|-----------------|---------------------|
| 8  | 00-959619-000G1 | Hinge Assy. (Upper) |
| 9  | 00-959619-000G2 | Hinge Assy. (Lower) |
| 10 | 00-497001-00001 | Caster W/O Brake    |
| 11 | 00-497001-00002 | Caster W/ Brake     |
| 12 | 00-958094-00001 | Caster W/O Brake    |
| 13 | 00-958094-00002 | Caster W/ Brake     |

**PARTS NOT ILLUSTRATED**



PL-61402

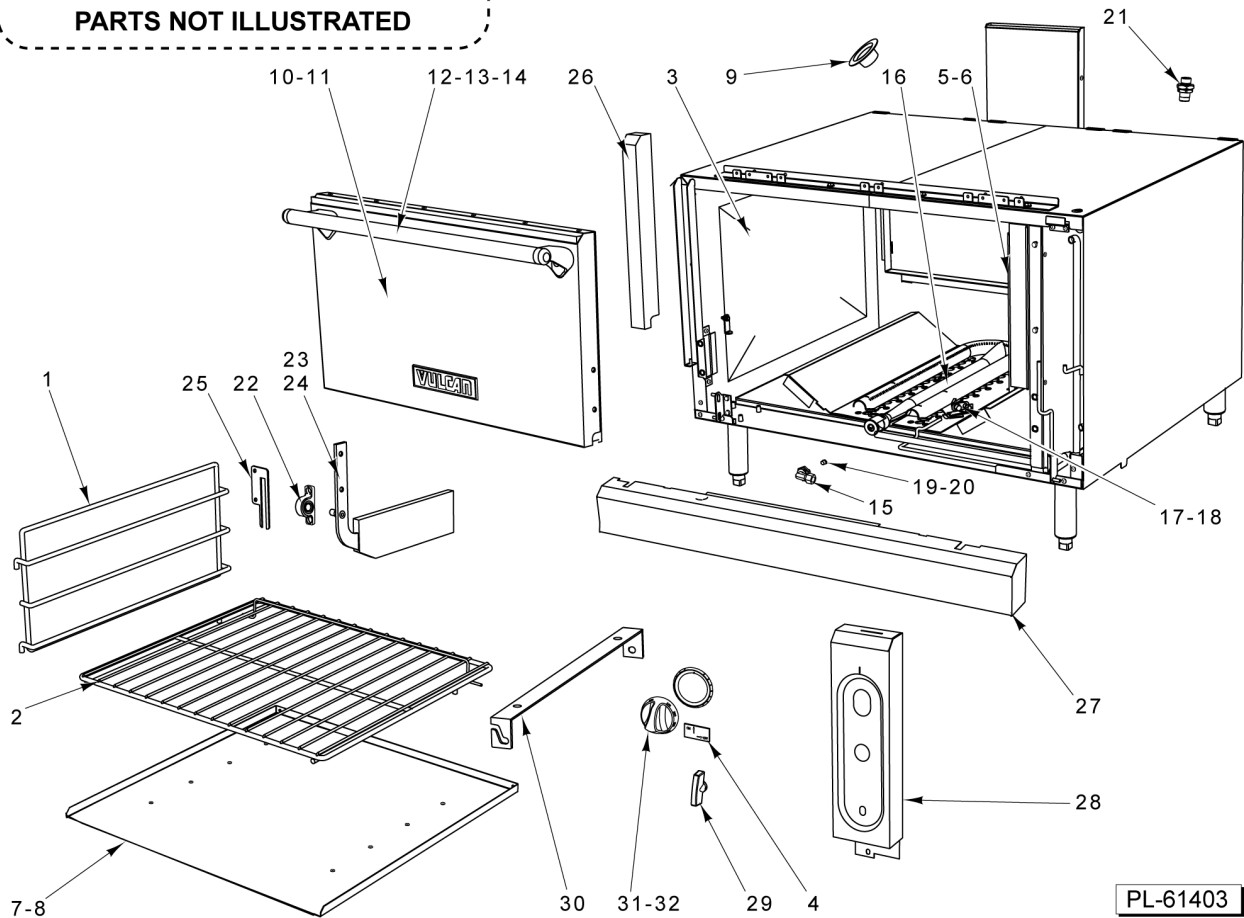
**B MODEL 12/18/24/34 IN CABINET BASE**

**B MODEL 12/18/24/34 IN CABINET BASE**

| ILLUS.<br>PL-61402 | PART NO.        | NAME OF PART                                  | AMT. |
|--------------------|-----------------|---|------|
| 1                  | 00-959615-000G4 | Door Assy. (LH) (12 In.).....                 | 1    |
| 2                  | 00-959615-000G3 | Door Assy. (RH) (12 In.).....                 | 1    |
| 3                  | 00-959615-000G2 | Door Assy. (LH) (18 In.).....                 | 1    |
| 4                  | 00-959615-000G1 | Door Assy. (RH) (18 In.).....                 | 1    |
| 5                  | 00-497296-000G1 | Magnet Assy.....                              | 2    |
| 6                  | 00-959632-00001 | Handle - Door Handle - Door Keeler R3122..... | 2    |
| 7                  | 00-413112-00012 | Leg - Plate Mount (6 In.).....                | 4    |
| 8                  | 00-959619-000G1 | Hinge Assy. (Upper).....                      | AR   |
| 9                  | 00-959619-000G2 | Hinge Assy. (Lower).....                      | AR   |
| 10                 | 00-497001-00001 | Caster W/O Brake (5 In.).....                 | 4    |
| 11                 | 00-497001-00002 | Caster W/ Brake, Swivel (5 In.).....          | 4    |
| 12                 | 00-958094-00001 | Caster W/O Brake (6 In.).....                 | 4    |
| 13                 | 00-958094-00002 | Caster W/ Brake (6 In.).....                  | 4    |

- |    |                 |                  |
|----|-----------------|------------------|
| 33 | 00-413112-00012 | Leg              |
| 34 | 00-497001-00001 | Caster W/O Brake |
| 35 | 00-497001-00002 | Caster W/ Brake  |
| 36 | 00-499516-000G1 | Flue Assy.       |
| 37 | 00-499667-00001 | Plate - Hearth   |

**PARTS NOT ILLUSTRATED**



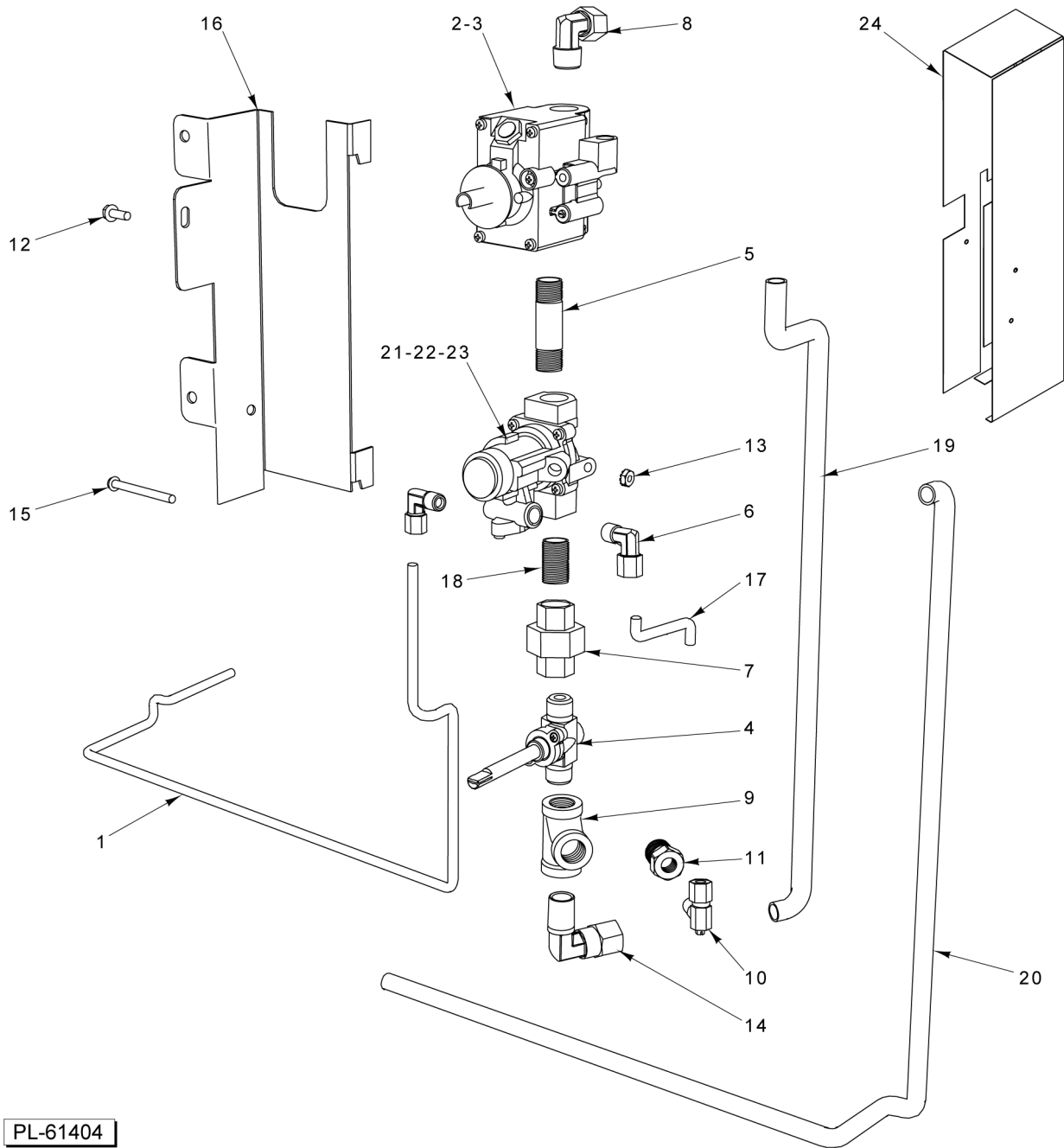
**S MODEL OVEN**



**S MODEL OVEN**

| ILLUS.<br>PL-61403 | PART NO.        | NAME OF PART   | AMT. |
|--------------------|-----------------|--|------|
| 1                  | 00-499468-00001 | Support - Wire Rack.....   | 2    |
| 2                  | 00-499517-00002 | Rack, Oven.....  | 1    |
| 3                  | 00-499467-00001 | Oven - Side Liner R/H (Porcelain).....                           | 1    |
| 4                  | 00-414708-00001 | Plate - On-Off.....  | 1    |
| 5                  | 00-499467-00002 | Oven - Side Liner L/H (Porcelain).....                           | 1    |
| 6                  | 00-499467-00004 | Oven - Side Liner L/H (SST).....                                 | 1    |
| *7                 | 00-499800-000G1 | Bottom Liner (Porcelain).....                                    | 1    |
| 8                  | 00-499800-000G2 | Bottom Liner (SST).....  | 1    |
| *9                 | 00-405930-00001 | Eyelet - Brass.....  | 1    |
| 10                 | 00-499513-000G3 | Door W/O Handle.....   | 1    |
| 11                 | 00-499513-000G4 | Door W/O Handle (SST).....                                       | 1    |
| 12                 | 00-956635-00001 | Handle - Oven Door.....  | 1    |
| 13                 | SD-032-07       | Self-Tapping Screw 10-24 x 1/2 Hex. Hex Washer Hd., Type TT..... | 2    |
| 14                 | NS-047-70       | Lock Nut 10-24 Hex.....  | 2    |
| 15                 | 00-404079-0000F | Nozzle, 90 Deg. Burner.....                                      | 1    |
| 16                 | 00-497891-00001 | Burner - Oven.....   | 1    |
| 17                 | 00-412787-00001 | Pilot - Oven (NAT).....  | 1    |
| 18                 | 00-412787-00002 | Pilot - Oven (LP).....   | 1    |
| 19                 | 00-010901-00031 | Orifice - Spud (31 Drill) (Sea Level - 2499 Ft.)(NAT).....       | 1    |
| 20                 | 00-010901-00047 | Orifice - Spud (47 Drill) (Sea Level - 2499 Ft.) (LP).....       | 1    |
| 21                 | 00-499554-00001 | Disconnect - Main Male Q.....                                    | 1    |
| 22                 | 00-497906-00001 | Bearing - Pillow Block.....                                      | 2    |
| 23                 | 00-499512-000G3 | Counterweight - Oven L.H.....                                    | 1    |
| 24                 | 00-499512-000G4 | Counterweight - Oven R.H.....                                    | 1    |
| 25                 | 00-499452-00001 | Coverplate.....  | 1    |
| 26                 | 00-958353-00001 | Cover - Moulian Panel.....                                       | 1    |
| 27                 | 00-958470-000G1 | Kick Panel.....  | 1    |
| 28                 | 00-499507-00001 | Panel - Oven Control.....  | 1    |
| 29                 | 00-413157-00001 | Knob - Shut Off.....   | 1    |
| 30                 | 00-497883-00001 | Bracket - Thermostat Bulb.....                                   | 1    |
| 31                 | 00-961928-00550 | Knob - Oven 550 Deg. F.....                                      | 1    |
| 32                 | 00-961928-00650 | Knob - Oven 650 Deg. F.....                                      | 1    |
| 33                 | 00-413112-00012 | Leg - Plate Mount (6 In.).....                                   | 4    |
| 34                 | 00-497001-00001 | Caster W/O Brake (5 In.).....                                    | AR   |
| 35                 | 00-497001-00002 | Caster W/ Brake, Swivel (5 In.).....                             | AR   |
| 36                 | 00-499516-000G1 | Flue Assy.....   | 1    |
| 37                 | 00-499667-00001 | Plate - Hearth.....  | 1    |

\* No Longer Available

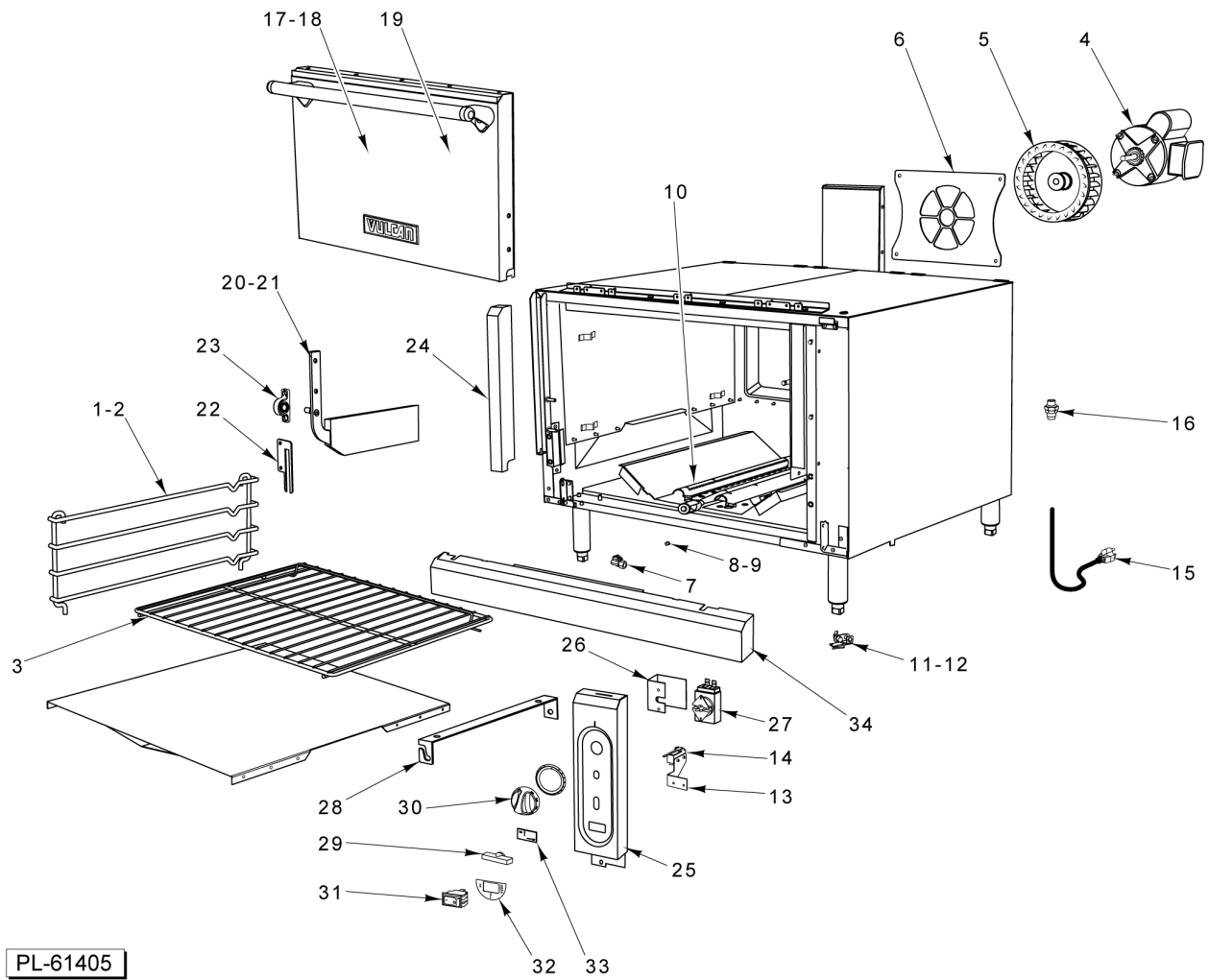


PL-61404

**S MODEL GAS MANIFOLD ASSY**

**S MODEL GAS MANIFOLD ASSY**

| ILLUS.<br>PL-61404 | PART NO.        | NAME OF PART   | AMT. |
|--------------------|-----------------|--|------|
| 1                  | 00-426505-00036 | Tube - Flex 1/4" O.D. 36" Lg.....                                | 1    |
| 2                  | 00-407522-00007 | Thermostat - 550 Deg. F.....                                     | 1    |
| 3                  | 00-958754-000G1 | Kit - Thermostat 400-650 Deg. F.....                             | 1    |
| 4                  | 00-719971       | Valve - Gas Manual Shut-Off.....                                 | 1    |
| 5                  | FP-035-54       | Pipe - 3/8 X 2.250 (BLKSTL) (TBE).....                           | 1    |
| 6                  | FP-012-21       | Elbow 90 Deg. (1/8 Male Pipe x 1/4 Tube).....                    | 2    |
| 7                  | 00-719032       | Union.....   | 1    |
| 8                  | FP-085-68       | Fitting- Elbow (7/16 TBG X 3/8 MPT).....                         | 1    |
| 9                  | FP-019-10       | Tee - 3/8 X 3/8 X 3/8 (BLKSTL).....                              | 1    |
| 10                 | 00-404193-00001 | Valve - Pilot 260 BROILER.....                                   | 1    |
| 11                 | 00-719066       | Bushing - Pipe 3/8 -1/8.....                                     | 1    |
| 12                 | SD-032-07       | Self-Tapping Screw 10-24 x 1/2 Hex. Hex Washer Hd., Type TT..... | 1    |
| 13                 | NS-044-09       | Nut Assy. 10-24 Hex KEPS.....                                    | 1    |
| 14                 | FP-012-03       | Fitting - Elbow 1/2 TBG X 3/8 MPT.....                           | 1    |
| 15                 | SC-060-38       | Mach. Screw 10-24 X 2 Slotted Rd. Hd.....                        | 1    |
| 16                 | 00-499465-00001 | Bracket - Gas Mounting.....                                      | 1    |
| 17                 | 00-426505-00009 | Tube - Flex 1/4" O.D. 9" Lg.....                                 | 1    |
| 18                 | FP-035-46       | Pipe 3/8 x 1 Lg. TBE.....  | 1    |
| 19                 | 00-426509-00024 | Tube - Flex 1/2" O.D. 24" Lg.....                                | 1    |
| 20                 | 00-426508-00048 | Tube - Flex 7/16" O.D. 48" Lg.....                               | 1    |
| 21                 | 00-962067-0KIT1 | Kit - Safety Valve Service (see SB1039) (Before 4/1/19).....     | 1    |
| 22                 | 00-962067-00001 | Valve - Safety (Starting 4/1/19).....                            | 1    |
| 23                 | 00-412788-00048 | Thermocouple 48".....  | 1    |
| 24                 | 00-962017-00001 | Heat Shield Assy.....  | 1    |



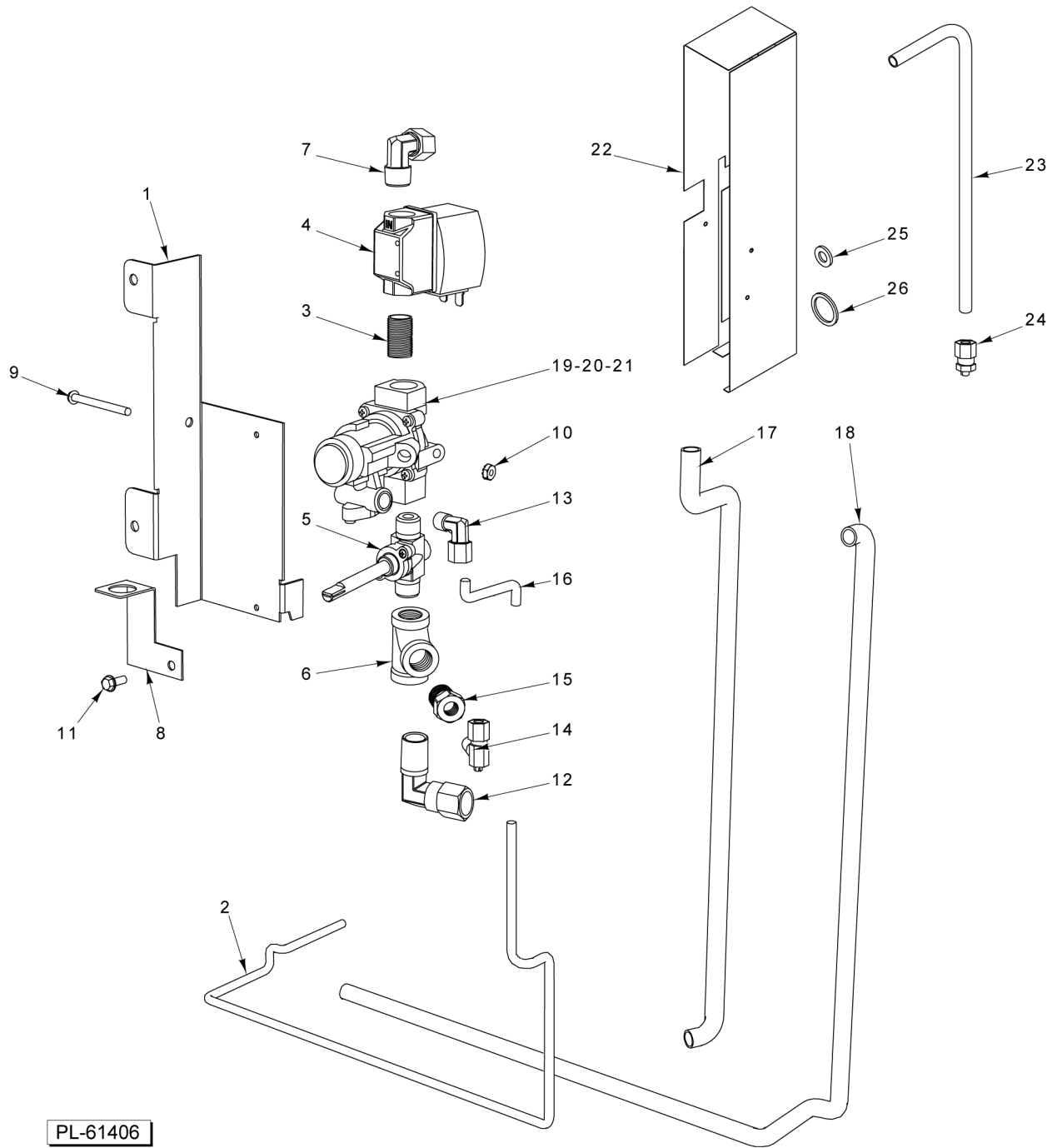
PL-61405

**C MODEL OVEN**

**C MODEL OVEN**

| ILLUS.<br>PL-61405 | PART NO.        | NAME OF PART   | AMT. |
|--------------------|-----------------|--|------|
| 1                  | 00-499468-00002 | Support - Wire Rack R.H.....                                 | 1    |
| 2                  | 00-499468-00003 | Support - Wire Rack L.H.....                                 | 1    |
| 3                  | 00-499517-00002 | Rack, Oven.....  | 2    |
| 4                  | 00-419730-00001 | Motor (1/6 Hp., 115/208-230 V., 50/60 Hz., 1 Ph.).....       | 1    |
| 5                  | 00-415780-00008 | Wheel - Blower (Incls. Set Screws).....                      | 1    |
| 6                  | 00-499641-00001 | Grate - Motor Convection Oven.....                           | 1    |
| 7                  | 00-404079-0000F | Nozzle, 90 Deg. Burner.....                                  | 1    |
| 8                  | 00-010901-00042 | Orifice - Spud (Drill 42) (Nat.) (Sea Level - 2499 FT.)..... | 1    |
| 9                  | 00-010901-00051 | Orifice - Spud (Drill 51) (Pro) (Sea Level - 2499 Ft.).....  | 1    |
| 10                 | 00-497891-00001 | Burner - Oven.....   | 1    |
| 11                 | 00-412787-00001 | Pilot - Oven (NAT).....                                      | 1    |
|                    | 00-426262-00004 | Pilot Oven (NAT) Starting March 2019.....                    | AR   |
| 12                 | 00-412787-00002 | Pilot - Oven (LP).....                                       | 1    |
|                    | 00-426262-00005 | Pilot Oven (PRO) Starting March 2019.....                    | AR   |
| 13                 | 00-956633-00002 | Bracket - Switch Door.....                                   | 1    |
| 14                 | 00-411496-000F1 | Switch - Micro Door.....                                     | 1    |
| 15                 | 00-405016-00001 | Cord - Electric Supply (120 V. Only).....                    | 1    |
| 16                 | 00-499554-00001 | Disconnect - Main Male Q.....                                | 1    |
| 17                 | 00-499513-000G3 | Door W/O Handle.....   | 1    |
| 18                 | 00-499513-000G4 | Door W/O Handle (SST).....                                   | 1    |
| 19                 | 00-956635-00001 | Handle - Oven Door.....                                      | 1    |
| 20                 | 00-499512-000G6 | Counterweight - Oven Convection R.H.....                     | 1    |
| 21                 | 00-499512-000G3 | Counterweight - Oven L.H.....                                | 1    |
| 22                 | 00-499452-00001 | Coverplate.....  | 1    |
| *23                | 00-497906-00001 | Bearing - Pillow Block.....                                  | 1    |
| 24                 | 00-958353-00001 | Cover - Moulia Panel.....                                    | 1    |
| 25                 | 00-499507-00003 | Cover - Control Panel.....                                   | 1    |
| 26                 | 00-957464-00001 | Guard - Thermostat.....                                      | 1    |
| 27                 | 00-411506-00015 | Thermostat (200-550 Deg. F).....                             | 1    |
| 28                 | 00-497883-00002 | Bracket - Thmostat Bulb.....                                 | 1    |
| 29                 | 00-413157-00001 | Knob - Shut Off.....   | 1    |
| 30                 | 00-922511       | Knob - Thermostat.....                                       | 1    |
| 31                 | 00-715112       | Switch - Rocker, Lighted.....                                | 1    |
| 32                 | 00-957609-00001 | Label - On - Off Cool Down.....                              | 1    |
| 33                 | 00-414708-00001 | Plate - On-Off.....  | 1    |
| 34                 | 00-499515-000G1 | Kick Plate Assy.....   | 1    |

\* Order with SC-037-87, Qty. 2

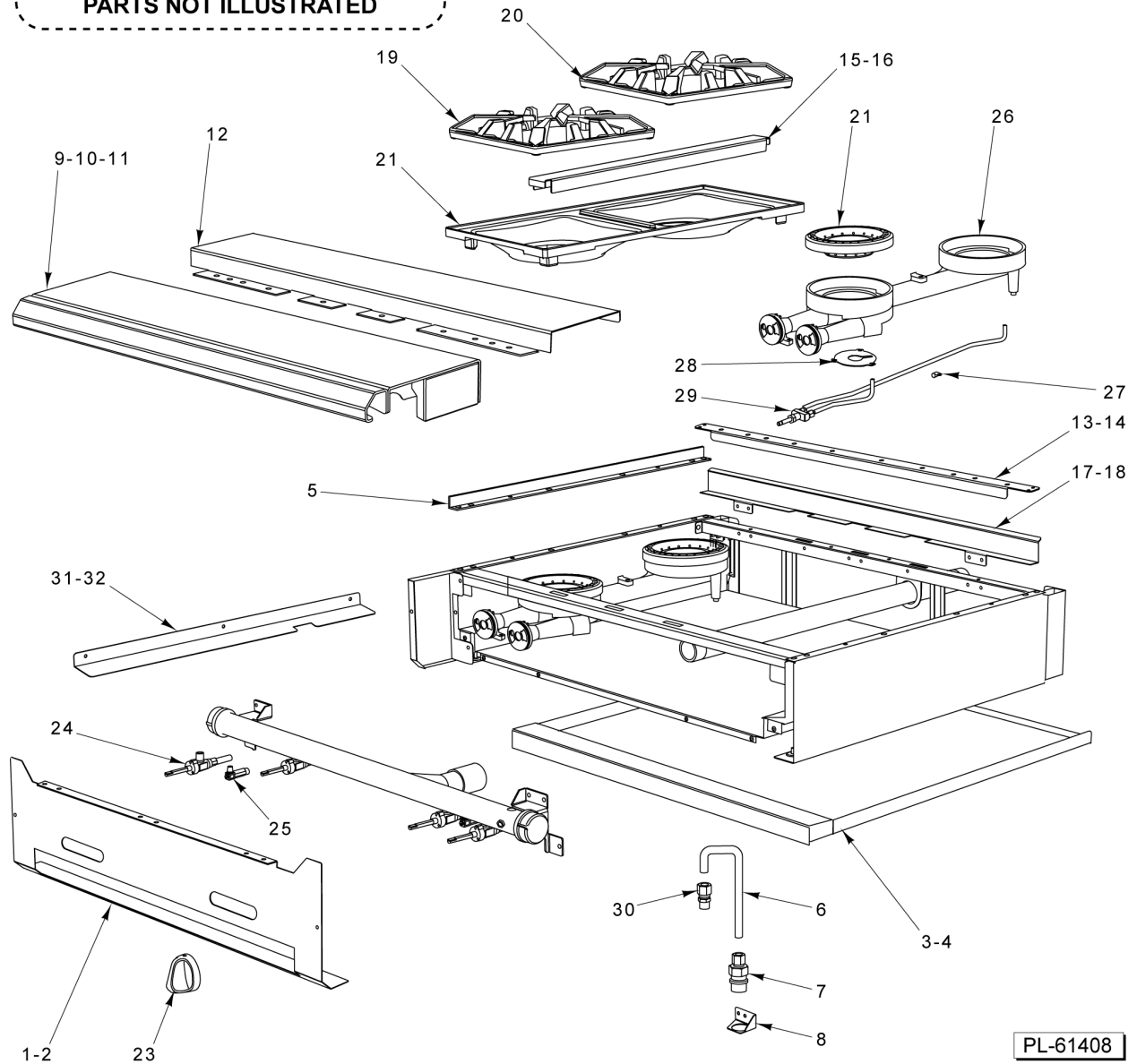


**C MODEL GAS MANIFOLD ASSY**

**C MODEL GAS MANIFOLD ASSY**

| ILLUS.<br>PL-61406 | PART NO.        | NAME OF PART   | AMT. |
|--------------------|-----------------|--|------|
| 1                  | 00-499651-00003 | Bracket - Mounting Gas (Convection).....                         | 1    |
| 2                  | 00-426505-00036 | Tube - Flex 1/4" O.D. 36" Lg.....                                | 1    |
| 3                  | FP-035-47       | PIPE - 3/8 X 1.125 (TBE) (BLKSTL).....                           | 1    |
| 4                  | 00-428045-00001 | Gas Solenoid Valve.....  | 1    |
| 5                  | 00-719971       | Valve - Gas Manual Shut-Off.....                                 | 1    |
| 6                  | FP-019-10       | Tee - 3/8 X 3/8 X 3/8 (BLKSTL).....                              | 1    |
| 7                  | FP-085-68       | Fitting- Elbow (7/16 TBG X 3/8 MPT).....                         | 1    |
| 8                  | 00-956615-00002 | Bracket - Manifold Support.....                                  | 1    |
| 9                  | SC-060-38       | Mach. Screw 10-24 X 2 Slotted Rd. Hd.....                        | 1    |
| 10                 | NS-044-09       | Nut Assy. 10-24 Hex KEPS.....                                    | 1    |
| 11                 | SD-032-07       | Self-Tapping Screw 10-24 x 1/2 Hex. Hex Washer Hd., Type TT..... | 1    |
| 12                 | FP-012-03       | Fitting - Elbow 1/2 TBG X 3/8 MPT.....                           | 1    |
| 13                 | FP-012-21       | Elbow 90 Deg. (1/8 Male Pipe x 1/4 Tube).....                    | 1    |
| 14                 | 00-404193-00001 | Valve - Pilot.....   | 1    |
| 15                 | FP-026-04       | Bushing - Pipe 3/8 to 1/8.....                                   | 1    |
| 16                 | 00-426505-00006 | Tube - Flex (1/4 x 6 In.).....                                   | 1    |
| 17                 | 00-426509-00024 | Tube - Flex 1/2" O.D. 24" Lg.....                                | 1    |
| 18                 | 00-426508-00048 | Tube - Flex 7/16" O.D. 48" Lg.....                               | 1    |
| 19                 | 00-962067-0KIT1 | Kit - Safety Valve Service (see SB1039) (Before 4/1/19).....     | 1    |
| 20                 | 00-962067-00001 | Valve - Safety (Starting 4/1/19).....                            | 1    |
| 21                 | 00-412788-00048 | Thermocouple (48 In.).....                                       | 1    |
| 22                 | 00-962017-00001 | Heat Shield Assy.....  | 1    |
| 23                 | 00-426508-00012 | Tube - Flex 7/16" OD x 12" Lg.....                               | 1    |
| 24                 | FP-085-42       | Fitting - Tube (7/16 TBG X 3/8 MPT).....                         | 1    |
| 25                 | 00-962107-00002 | Grommet.....   | 1    |
| 26                 | 00-962107-00001 | Grommet.....   | 1    |

33 00-957067-000G1 Riser - Stub 36 In  
 34 00-957065-000G1 Riser - Stub 18 In  
**PARTS NOT ILLUSTRATED**



PL-61408

**36 IN - 4 & 18 IN - 2 OPEN TOP BURNER**

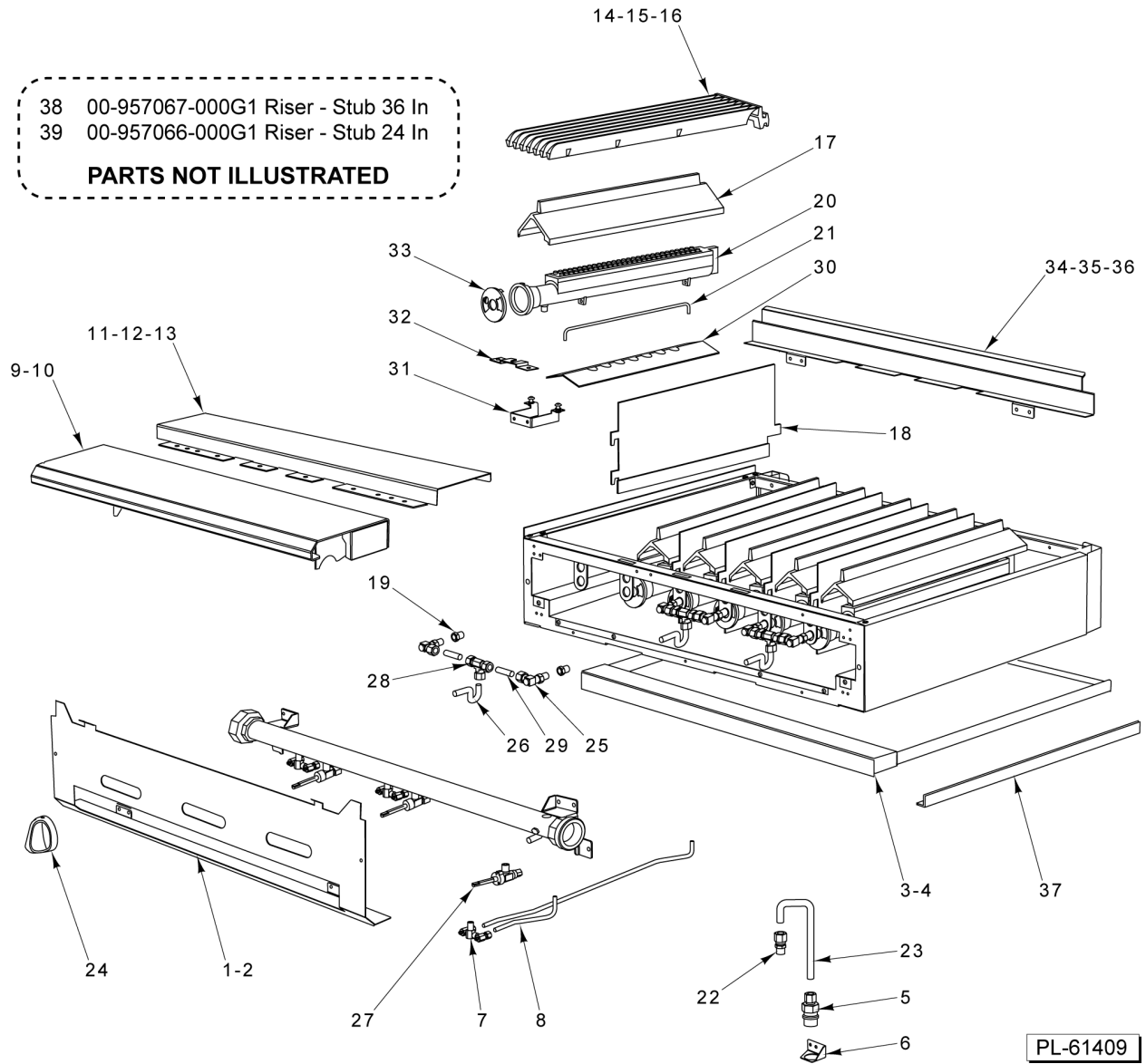


**36 IN - 4 & 18 IN - 2 OPEN TOP BURNER**

| ILLUS.   | PART NO.        | NAME OF PART  | AMT. |
|----------|-----------------|---|------|
| PL-61408 |                 |   |      |
| 1        | 00-957573-00001 | Manifold Cover 36" (4 Open Top Burner).....                   | 1    |
| 2        | 00-957564-00001 | Manifold Cover 18" (2 Open Top Burner).....                   | 1    |
| 3        | 00-499006-000G2 | Tray - Crumb (SST) 36" (4 Open Top Burner).....               | 1    |
| 4        | 00-956696-000G2 | Tray - Crumb (SST) 18" (2 Open Top Burner).....               | AR   |
| 5        | 00-497984-00001 | Retainer - Grate.....   | 2    |
| 6        | 00-426509-00010 | Tube - Flex 1/2" O.D. 10" Lg.....                             | 1    |
| 7        | 00-499555-00001 | Disconnect - Gas Female.....                                  | 1    |
| 8        | 00-499047-00001 | Bracket - Disconnect.....                                     | 1    |
| 9        | 00-499425-000G1 | Front Top Assy. 36" (4 Open Top Burner).....                  | 1    |
| 10       | 00-957235-000G1 | Front Top Assy - Condiment Rail 36" (4 Open Top Burner).....  | 4    |
| 11       | 00-956658-000G1 | Front Top Assy 18" (2 Open Top Burner).....                   | AR   |
| 12       | 00-957239-000G1 | Front Top Slide Rail Assy.....                                | 4    |
| 13       | 00-499001-00004 | Support - (4) OTB Burner (SST).....                           | 1    |
| 14       | 00-956690-00001 | Support - (2) OTB Burner (SST).....                           | 1    |
| 15       | 00-499493-00001 | Support - Grate (Alum.).....                                  | 1    |
| 16       | 00-499493-00002 | Support - Grate (SST).....                                    | 1    |
| 17       | 00-499615-00002 | Deflector - Rear (SST) 36" (4 Open Top Burner).....           | 1    |
| 18       | 00-956697-00002 | Deflector - Rear (SST) 36" (4 Open Top Burner).....           | 1    |
| 19       | 00-959326-00001 | Grate Front 18 in.....  | AR   |
| 20       | 00-959326-00002 | Grate Rear 18 in.....   | AR   |
| *21      | NLA Bowl        | Bowl - 18" Double Order Grate Front (#19) and Rear (#20)..... | AR   |
| 22       | 00-957343-00002 | Burner - Head 6".....   | AR   |
| 23       | 00-499712-00001 | Knob - HD Burner.....   | AR   |
| **24     | 00-957367-00001 | Valve - Burner.....   | AR   |
| 25       | 00-499970-00001 | Valve - Pilot Quick Disconnect.....                           | AR   |
| 26       | 00-957398-000G1 | Venturi Assy.....   | 1    |
| 27       | 00-402558-00004 | Clip - Tubing.....  | AR   |
| 28       | 00-958073-00001 | Plate - Restrictor.....                                       | 1    |
| 29       | 00-959108-000G1 | Pilot - Kit Open Top Burners.....                             | 1    |
| 30       | FP-012-02       | Fitting - Tube 1/2 TBG X 3/8 MPT.....                         | 1    |
| 31       | 00-499002-00003 | Deflector - HD Splash L.H. (SST).....                         | 1    |
| 32       | 00-499002-00004 | Deflector - HD Splash R.H. (SST).....                         | 1    |
| 33       | 00-957067-000G1 | Riser - Stub 36" W/Alum. Back 36" (4 Open Top Burner).....    | 1    |
| 34       | 00-957065-000G1 | Riser - Stub 18" W/Alum. Back 36" (4 Open Top Burner).....    | 1    |
| 35       | 00-010901-00042 | Orifice - Spud (Nat. Gas) FOR SEA LEVEL TO 2499'.....         | 1    |
| 36       | 00-010901-00052 | Orifice - Spud (LP Gas) FOR SEA LEVEL TO 2499'.....           | 1    |

\* Bowl - 18" Double is now designed into Front and Rear Grate.

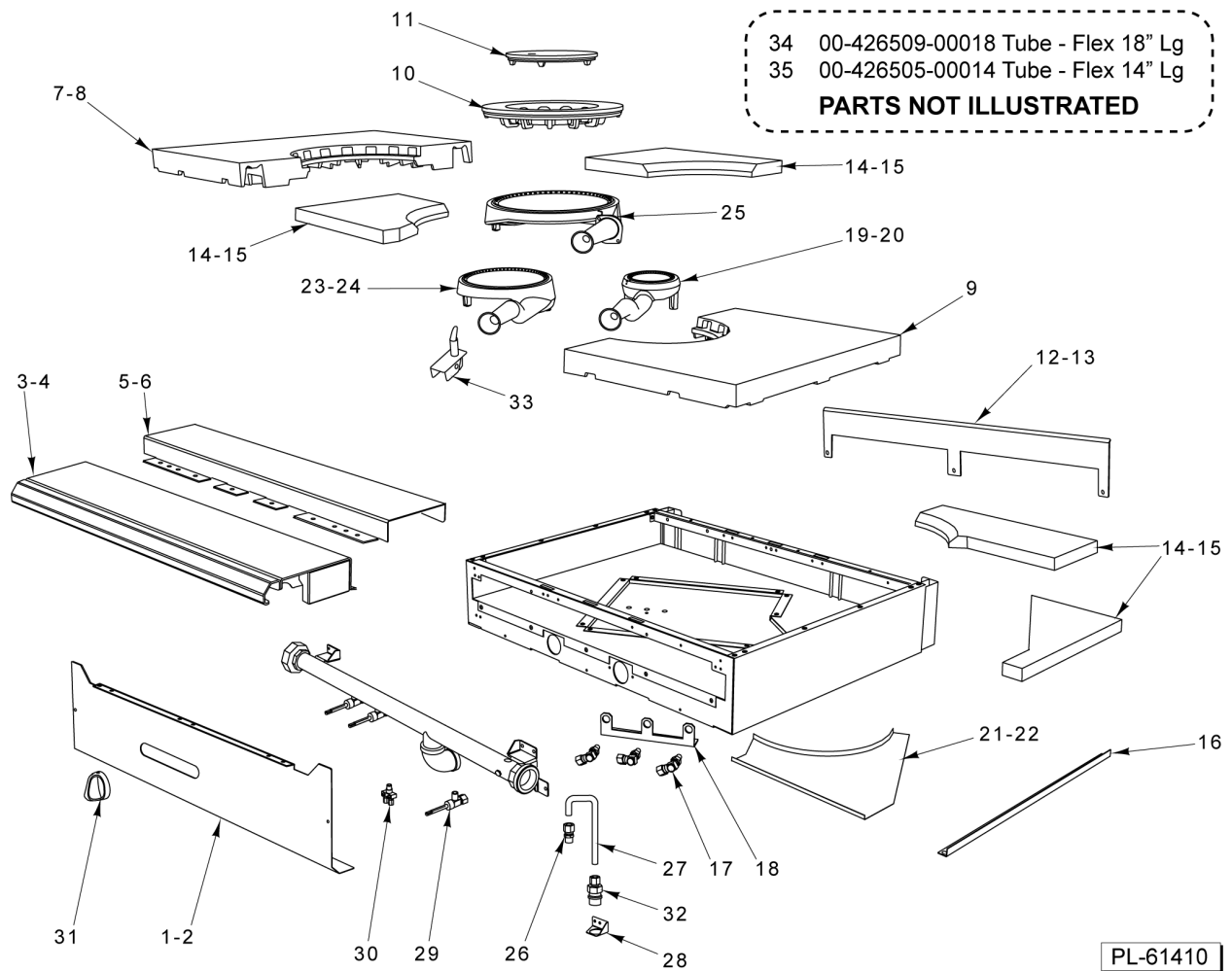
\*\* Must Order Orifice Spud Separately Item 35 for Natural and Item 36 for



**24/36 IN CHAR BROILER**

## 24/36 IN CHAR BROILER

| ILLUS.<br>PL-61409 | PART NO.        | NAME OF PART   | AMT. |
|--------------------|-----------------|--|------|
| 1                  | 00-957574-00001 | Cover - Manifold 36" Char Broiler.....                 | 1    |
| 2                  | 00-957567-00001 | Cover - Manifold 24" Char Broiler.....                 | 1    |
| 3                  | 00-499006-000G2 | Tray - Crumb (SST) 36" Char Broiler.....               | 1    |
| 4                  | 00-956724-000G2 | Tray - Crumb (SST) 24" Char Broiler.....               | 1    |
| 5                  | 00-499555-00001 | Disconnect - Gas Female.....                           | 1    |
| 6                  | 00-499047-00001 | Bracket - Disconnect.....                              | 1    |
| 7                  | 00-957814-00001 | Valve - Dual Pilot.....                                | 1    |
| 8                  | 00-788541-0000A | Tube - Pilot, Flex (W/Tip).....                        | 1    |
| 9                  | 00-499425-000G1 | Front Top Assy. 36" Char Broiler.....                  | 1    |
| 10                 | 00-956705-000G1 | Front Top Assy. 24" Char Broiler.....                  | 1    |
| 11                 | 00-957235-000G1 | Front Top Assy - Condiment Rail 36" Char Broiler.....  | 1    |
| 12                 | 00-957239-000G1 | Front Top Slide Rail Assy. 36" Char Broiler.....       | 1    |
| 13                 | 00-957357-000G1 | Front Top Assy. - Condiment Rail 24" Char Broiler..... | 1    |
| 14                 | 00-412852-00001 | Grate - Top Straight.....                              | 6    |
| 15                 | 00-722131       | Grate - Slanted 6-RIB 24" Char Broiler.....            | 2    |
| 16                 | 00-710424       | Grate - Slanted 7-RIB 24" Char Broiler.....            | 2    |
| 17                 | 00-710407       | Radiant.....   | 6    |
| 18                 | 00-956614-00002 | Supercharger.....                                      | 5    |
| 19                 | 00-418051-0000F | Hood - Orifice.....                                    | 6    |
| 20                 | 00-957413-00001 | Burner Assy.....                                       | 6    |
| 21                 | 00-710455       | Burner Rod.....  | 6    |
| 22                 | FP-012-02       | Fitting - Tube 1/2 TBG X 3/8 MPT.....                  | 1    |
| 23                 | 00-426509-00010 | Tube - Flex 1/2" O.D. 10" Lg.....                      | 1    |
| 24                 | 00-499712-00001 | Knob - HD Burner.....                                  | 3    |
| 25                 | 00-719383       | W/O Plug.....  | 6    |
| 26                 | 00-722425       | Tubing - Flex 3/8" X 8" Lg.....                        | 3    |
| 27                 | 00-957348-00001 | Valve - Gas.....                                       | 3    |
| 28                 | 00-714676       | TEE, 3/8" UNION, TUBE TO TUBE.....                     | 1    |
| 29                 | 00-722468       | NLA - Obsolete--3/8" Tube 1-1/4" Long.....             | 1    |
| 30                 | 00-956748-00001 | Heat Deflector.....                                    | 6    |
| 31                 | 00-957412-00001 | Bracket - Dual Pilot.....                              | AR   |
| 32                 | 00-957335-00001 | Stabilizer - Burner.....                               | 6    |
| 33                 | 00-719329       | Air Mixer Assy.....                                    | 6    |
| 34                 | 00-499615-00002 | Deflector - Rear (SST) 36" Char Broiler.....           | 1    |
| 35                 | 00-956725-00002 | Deflector - Rear (SST) 24" Char Broiler.....           | 1    |
| 36                 | 00-958442-00002 | Deflector - Rear (SST) 48" Char Broiler.....           | AR   |
| 37                 | 00-499959-000G2 | Retainer - Grate.....                                  | 2    |
| 38                 | 00-957067-000G1 | Riser - Stub 36" W/Alum. Back 36" Char Broiler.....    | 1    |
| 39                 | 00-957066-000G1 | Riser - Stub 24" W/Alum. Back 24" Char Broiler.....    | 1    |



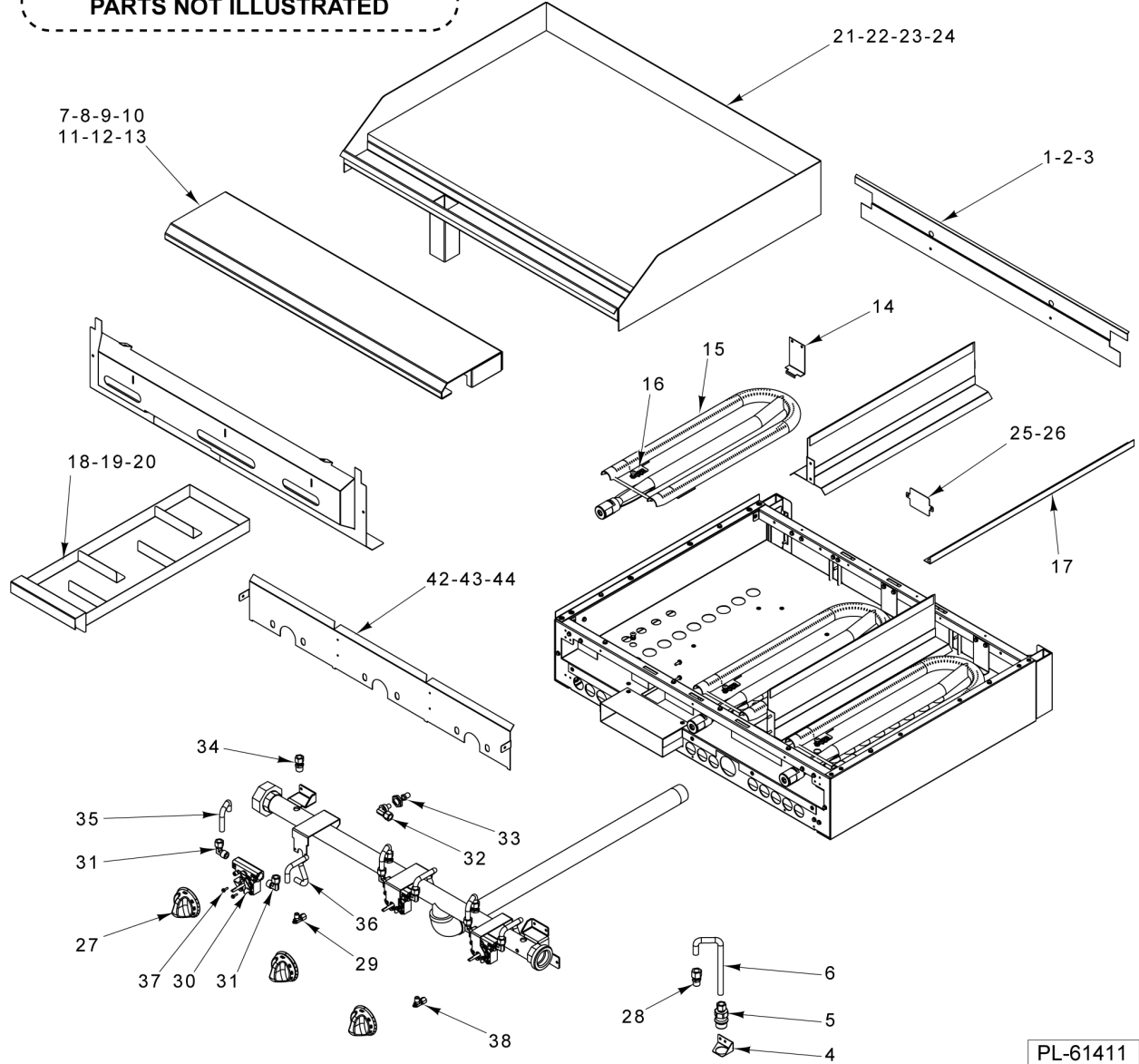
**18/36 IN FRENCH TOP RADIAL FIN HOT TOP**

## 18/36 IN FRENCH TOP RADIAL FIN HOT TOP

| ILLUS.<br>PL-61410 | PART NO.        | NAME OF PART  | AMT. |
|--------------------|-----------------|---|------|
| 1                  | 00-957576-00001 | Cover - Manifold W/Rail 36" Radial Fin. Hot Top.....      | 1    |
| 2                  | 00-957563-00001 | Cover Manifold 18" Radial Fin. Hot Top.....               | 1    |
| 3                  | 00-499425-000G1 | Front Top Assy. 36" Radial Fin. Hot Top.....              | 1    |
| 4                  | 00-956658-000G1 | Front Top Assy 18" Radial Fin. Hot Top.....               | 1    |
| 5                  | 00-957235-000G1 | Front Top Assy - Condiment Rail.....                      | 1    |
| 6                  | 00-957239-000G1 | Front Top Slide Rail Assy.....                            | 1    |
| 7                  | 00-499814-00001 | Casting - LH Radial Fin. 36" 36" Radial Fin. Hot Top..... | 1    |
| 8                  | 00-956800-00001 | Casting - Radial Fin. 18" Radial Fin. Hot Top.....        | 1    |
| 9                  | 00-499814-00002 | Casting - RH Radial Fin. 36".....                         | 1    |
| 10                 | 00-400705-00001 | Ring (Top).....   | 1    |
| 11                 | 00-715211-000GR | Plate - Top.....  | 1    |
| 12                 | 00-956809-00002 | Deflector - Radial Fin. Rear 36" Radial Fin. Hot Top..... | 1    |
| 13                 | 00-956663-00001 | Deflector - Radial Fin. 18" Radial Fin. Hot Top.....      | 1    |
| 14                 | 00-956622-000G1 | Brick Set 36" Radial Fin. Hot Top.....                    | 1    |
| 15                 | 00-956799-000G1 | Brick Set 18" Radial Fin. Hot Top.....                    | 1    |
| 16                 | 00-497984-00001 | Retainer - Grate.....                                     | 1    |
| 17                 | 00-719383       | Elbow 3/8 Orifice W/O Plug.....                           | 1    |
|                    | 00-404079-0000F | Elbow 7/16 Orifice W/O Plug - 5/8 nut.....                | 1    |
| 18                 | 00-499810-00002 | Bracket - Pilot.....                                      | 1    |
| 19                 | 00-957801-000G1 | Burner - Inner, Radial Fin 36" Radial Fin. Hot Top.....   | 1    |
| 20                 | 00-956794-00001 | Burner - 18" Inner 18" Radial Fin. Hot Top.....           | 1    |
| 21                 | 00-957946-000G1 | Plate - Aeration Assy. 36" Radial Fin. Hot Top.....       | 1    |
| 22                 | 00-957710-000G1 | Plate - Aeration, Assy. 18" Radial Fin. Hot Top.....      | 1    |
| 23                 | 00-409413-000G1 | Burner 36" Radial Fin. Hot Top.....                       | 1    |
| 24                 | 00-956793-00001 | Burner - 18" Outer 18" Radial Fin. Hot Top.....           | 1    |
| 25                 | 00-409412-000G1 | Burner - Top Outer.....                                   | 1    |
| 26                 | FP-012-02       | Fitting - Tube 1/2 TBG X 3/8 MPT.....                     | 1    |
| 27                 | 00-426509-00010 | Tube - Flex 1/2" O.D. 10" Lg.....                         | 1    |
| 28                 | 00-499047-00001 | Bracket - Disconnect.....                                 | 1    |
| 29                 | 00-408379-00004 | Valve - Burner (Top).....                                 | 3    |
| 30                 | 00-957814-00001 | Valve - Dual Pilot.....                                   | 1    |
| 31                 | 00-499712-00001 | Knob - HD Burner.....                                     | 3    |
| 32                 | 00-499555-00001 | Disconnect - Gas Female.....                              | 1    |
| 33                 | 00-409839-00003 | Burner - Pilot.....                                       | 3    |
| 34                 | 00-426509-00018 | Tube - Flex 1/2" O.D. 18" Lg.....                         | 3    |
| 35                 | 00-426505-00014 | Tube - Flex 1/4" O.D. 14" Lg.....                         | 2    |

45 00-788541-0000A Tube - Pilot Flex  
 46 00-956939-00002 Tube - Pilot Flex

**PARTS NOT ILLUSTRATED**



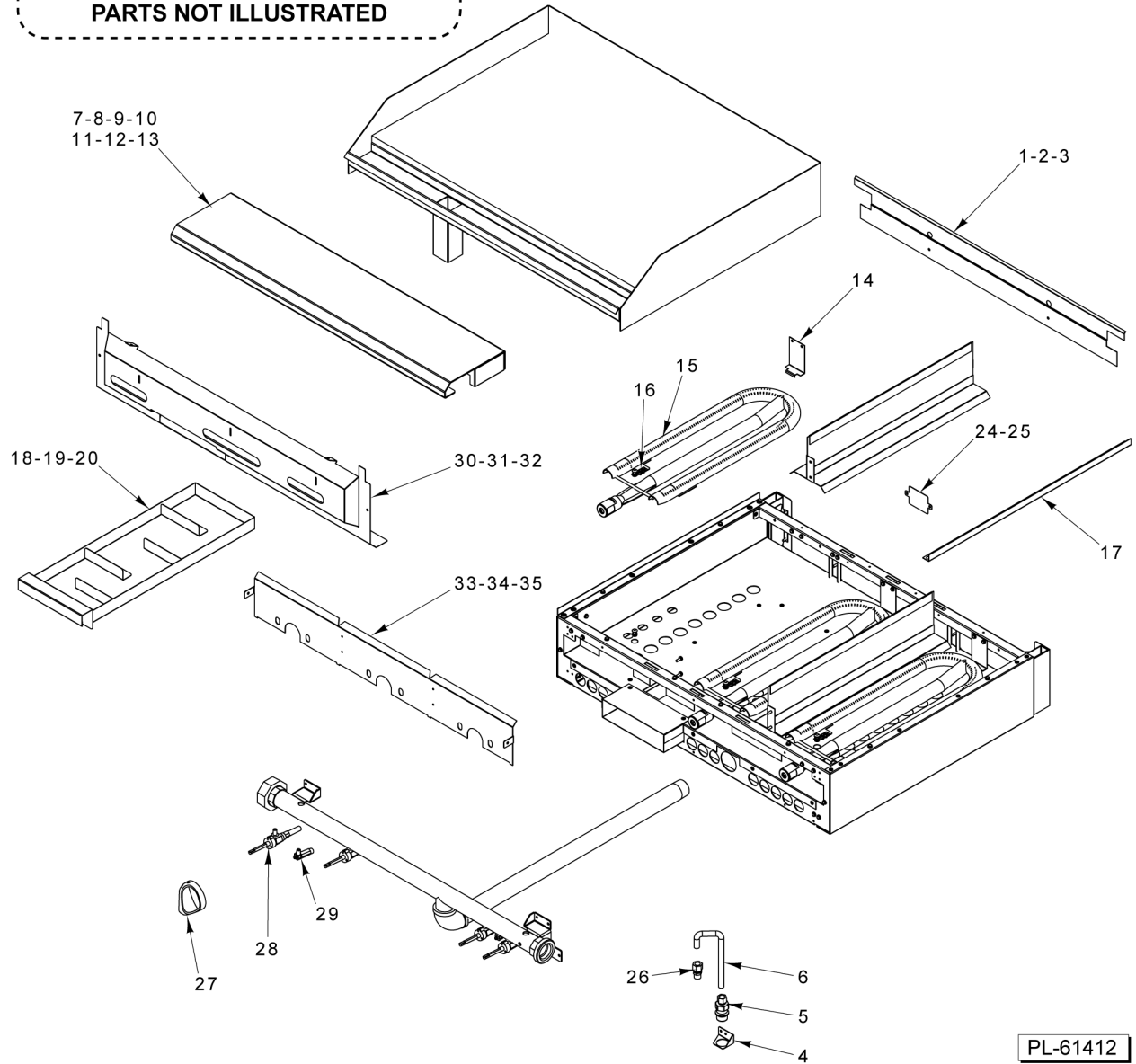
**18/24/36 IN THERMO CONTROL GRIDDLE TOP**

## 18/24/36 IN THERMO CONTROL GRIDDLE TOP

| ILLUS.<br>PL-61411 | PART NO.        | NAME OF PART  | AMT. |
|--------------------|-----------------|---|------|
| 1                  | 00-957961-00001 | Panel - Rear Closure 36" (Alum.) (36" Griddle Top).....   | 1    |
| 2                  | 00-957989-00001 | Panel - Rear Closure 24" (24" Griddle Top).....           | 1    |
| 3                  | 00-957993-00001 | Panel - Rear Closure 18" (18" Griddle Top).....           | AR   |
| 4                  | 00-499047-00001 | Bracket - Disconnect.....                                 | 1    |
| 5                  | 00-499555-00001 | Disconnect - Gas Female.....                              | 1    |
| 6                  | 00-426509-00010 | Tube - Flex 1/2" O.D. 10" Lg.....                         | 1    |
| 7                  | 00-499425-000G1 | Front Top Assy. (36" Griddle Top).....                    | 1    |
| 8                  | 00-956705-000G1 | Front Top Assy. (24" Griddle Top).....                    | 1    |
| 9                  | 00-956658-000G1 | Front Top Assy (18" Griddle Top).....                     | 1    |
| 10                 | 00-957235-000G1 | Front Top Assy - Condiment Rail (36" Griddle Top).....    | 1    |
| 11                 | 00-957239-000G1 | Front Top Slide Rail Assy. (36" Griddle Top).....         | 1    |
| 12                 | 00-957357-000G1 | Front Top Assy. - Condiment Rail (24" Griddle Top).....   | 1    |
| 13                 | 00-957235-000G1 | Front Top Assy - Condiment Rail (18" Griddle Top).....    | 1    |
| 14                 | 00-499112-00001 | Bracket - Griddle Burner Support.....                     | 3    |
| 15                 | 00-499635-00001 | Griddle Burner Assy.....                                  | 3    |
| 16                 | 00-413302-00001 | Clip - Pilot Mounting.....                                | 3    |
| 17                 | 00-497984-00001 | Retainer - Grate.....                                     | 2    |
| 18                 | 00-957982-000G4 | Grease Drawer Assy. (36" Griddle Top).....                | 1    |
| 19                 | 00-956709-000G4 | Grease Drawer Assy. (24" Griddle Top).....                | 1    |
| 20                 | 00-956677-000G4 | Grease Drawer Assy. (18" Griddle Top).....                | 1    |
| 21                 | 00-499622-000G2 | 36 In Griddle Assy.....                                   | 1    |
| 22                 | 00-499957-000G2 | 24 In Griddle Assy.....                                   | 1    |
| 23                 | 00-956674-000G2 | 18 In Griddle Assy.....                                   | 1    |
| 24                 | 00-957170-000G1 | Griddle Baffle Assy. Center.....                          | 2    |
| 25                 | 00-956662-00001 | Cover - Rear Manifold.....                                | 1    |
| 26                 | 00-956710-00001 | Cover - Hot Top 24" Griddle.....                          | 1    |
| 27                 | 00-499488-00002 | Knob - Gas Thermostat.....                                | 3    |
| 28                 | FP-012-02       | Fitting - Tube 1/2 TBG X 3/8 MPT.....                     | 1    |
| 29                 | 00-404193-00001 | Valve - Pilot.....  | 3    |
| 30                 | 00-499488-00001 | Thermostat - Gas.....                                     | 3    |
| 31                 | FP-085-68       | Fitting- Elbow (7/16 TBG X 3/8 MPT).....                  | 6    |
| 32                 | 00-404079-0000F | Nozzle.....   | 3    |
| 33                 | 00-418051-0000F | Hood - Orifice.....                                       | 3    |
| 34                 | FP-085-42       | Fitting - Tube (7/16 TBG X 3/8 MPT).....                  | 3    |
| 35                 | 00-426508-00006 | Tube - Flex 7/16" O.D. 6" Lg.....                         | 3    |
| 36                 | 00-426508-00010 | Tube - Flex 7/16" O.D. 10" Lg.....                        | 3    |
| 37                 | SD-036-79       | Self-Tapping Screw 6-32 x 1/2 Type TT Hex Hd. (SST).....  | 6    |
| 38                 | FP-085-53       | Pipe Plug 1/8.....  | 1    |
| 39                 | 00-957604-000G2 | Cover - Manifold 36" Thermo Griddle (Condiment Rail)..... | 1    |
| 40                 | 00-957602-000G2 | Cover - Manifold 24" Thermo Griddle (Condiment Rail)..... | 1    |
| 41                 | 00-957594-000G1 | Cover - Manifold 18" Thermo Griddle.....                  | 1    |
| 42                 | 00-957396-00002 | Baffle - Griddle.....                                     | 1    |
| 43                 | 00-957988-00002 | Baffle - 24" Forward Griddle.....                         | 1    |
| 44                 | 00-957992-00002 | Baffle - 18" Forward Griddle.....                         | 1    |
| 45                 | 00-788541-0000A | Tube - Pilot, Flex (W/Tip).....                           | 2    |
| 46                 | 00-956939-00002 | Tube - Pilot, Flex (W/Tip).....                           | 1    |

36 00-957170-000G1 Griddle Baffle Assy.  
 37 00-788541-0000A Tube - Pilot Flex  
 38 00-956939-00002 Tube - Pilot Flex

**PARTS NOT ILLUSTRATED**



**18/24/36 IN MANUAL CONTROL GRIDDLE TOP**

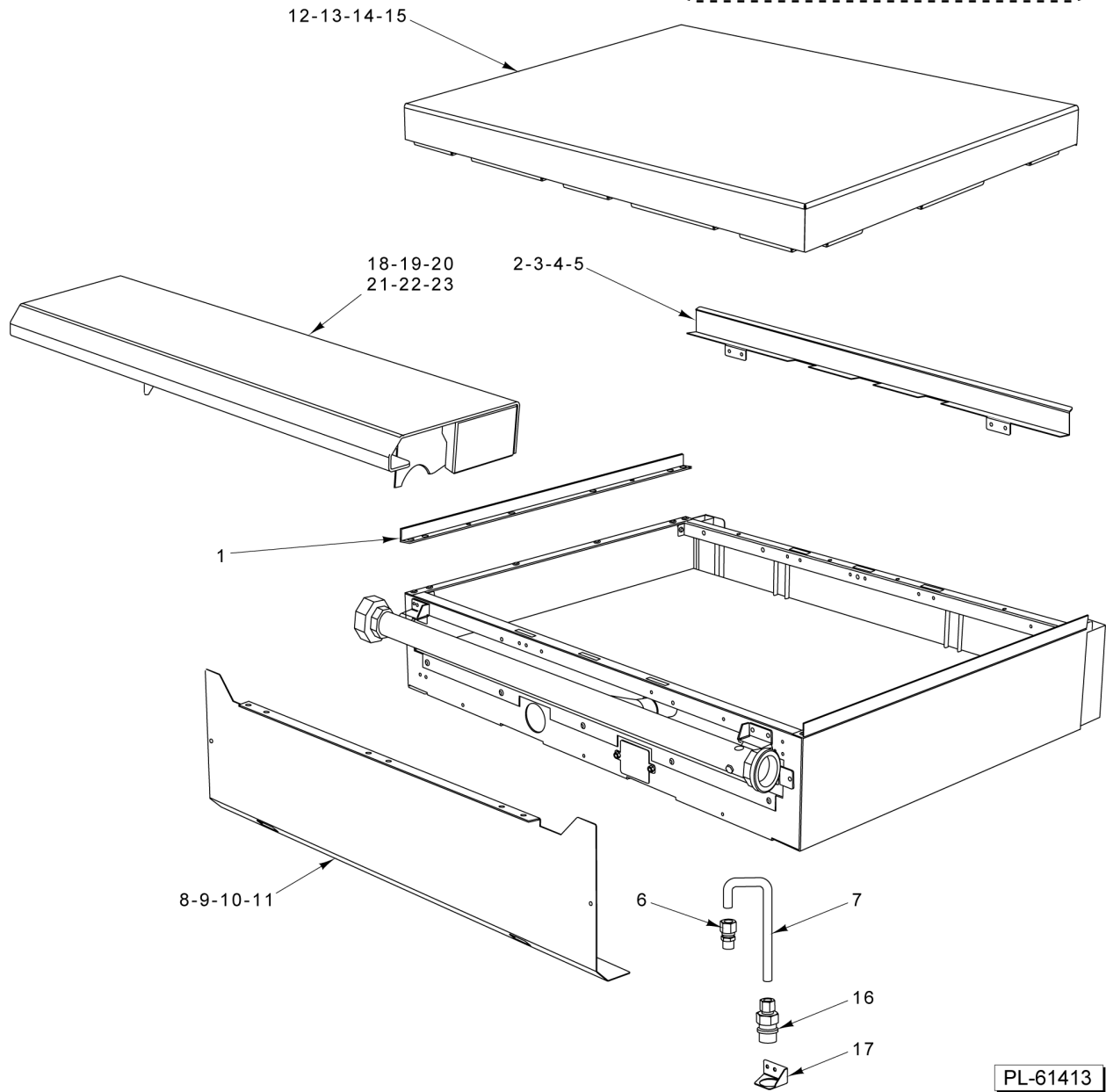


## 18/24/36 IN MANUAL CONTROL GRIDDLE TOP

| ILLUS.   | PART NO.        | NAME OF PART  | AMT. |
|----------|-----------------|---|------|
| PL-61412 |                 |   |      |
| 1        | 00-957961-00001 | Panel - Rear Closure 36" (Alum.) (36" Griddle Top).....   | 1    |
| 2        | 00-957989-00001 | Panel - Rear Closure 24" (24" Griddle Top).....           | 1    |
| 3        | 00-957993-00001 | Panel - Rear Closure 18" (18" Griddle Top).....           | AR   |
| 4        | 00-499047-00001 | Bracket - Disconnect.....                                 | 1    |
| 5        | 00-499555-00001 | Disconnect - Gas Female.....                              | 1    |
| 6        | 00-426509-00010 | Tube - Flex 1/2" O.D. 10" Lg.....                         | 1    |
| 7        | 00-499425-000G1 | Front Top Assy. (36" Griddle Top).....                    | 1    |
| 8        | 00-956705-000G1 | Front Top Assy. (24" Griddle Top).....                    | 1    |
| 9        | 00-956658-000G1 | Front Top Assy (18" Griddle Top).....                     | 1    |
| 10       | 00-957235-000G1 | Front Top Assy - Condiment Rail (36" Griddle Top).....    | 1    |
| 11       | 00-957239-000G1 | Front Top Slide Rail Assy. (36" Griddle Top).....         | 1    |
| 12       | 00-957357-000G1 | Front Top Assy. - Condiment Rail (24" Griddle Top).....   | 1    |
| 13       | 00-957235-000G1 | Front Top Assy - Condiment Rail 18" Griddle Top.....      | 1    |
| 14       | 00-499112-00001 | Bracket - Griddle Burner Support.....                     | 3    |
| 15       | 00-499635-00001 | Griddle Burner Assy.....                                  | 3    |
| 16       | 00-413302-00001 | Clip - Pilot Mounting.....                                | 3    |
| 17       | 00-497984-00001 | Retainer - Grate.....                                     | 2    |
| 18       | 00-957982-000G4 | Grease Drawer Assy. (36" Griddle Top).....                | 1    |
| 19       | 00-956709-000G4 | Grease Drawer Assy. (24" Griddle Top).....                | 1    |
| 20       | 00-956677-000G4 | Grease Drawer Assy. (18" Griddle Top).....                | 1    |
| 21       | 00-499622-000G2 | 36 In Griddle Assy.....                                   | 1    |
| 22       | 00-499957-000G2 | 24 In Griddle Assy.....                                   | 1    |
| 23       | 00-956674-000G2 | 18 In Griddle Assy.....                                   | 1    |
| 24       | 00-956662-00001 | Cover - Rear Manifold.....                                | 1    |
| 25       | 00-956710-00001 | Cover - Hot Top 24" Griddle.....                          | 1    |
| 26       | FP-012-02       | Fitting - Tube 1/2 TBG X 3/8 MPT.....                     | 1    |
| 27       | 00-499712-00001 | Knob - HD Burner.....                                     | AR   |
| *28      | 00-957367-00001 | Valve - Burner.....                                       | AR   |
| 29       | 00-499970-00001 | Valve - Pilot Quick Disconnect.....                       | AR   |
| 30       | 00-957604-000G2 | Cover - Manifold 36" Thermo Griddle (Condiment Rail)..... | 1    |
| 31       | 00-957602-000G2 | Cover - Manifold 24" Thermo Griddle (Condiment Rail)..... | 1    |
| 32       | 00-957594-000G1 | Cover - Manifold 18" Thermo Griddle.....                  | 1    |
| 33       | 00-957396-00002 | Baffle - Griddle.....                                     | 1    |
| 34       | 00-957988-00002 | Baffle - 24" Forward Griddle.....                         | 1    |
| 35       | 00-957992-00002 | Baffle - 18" Forward Griddle.....                         | 1    |
| 36       | 00-957170-000G1 | Griddle Baffle Assy. Center.....                          | 2    |
| 37       | 00-788541-0000A | Tube - Pilot, Flex (W/Tip).....                           | 2    |
| 38       | 00-956939-00002 | Tube - Pilot, Flex (W/Tip).....                           | 1    |
| 39       | 00-010901-00042 | Orifice - Spud (Nat. Gas) FOR SEA LEVEL TO 2499'          | 1    |
| 40       | 00-010901-00052 | Orifice - Spud (LP Gas) FOR SEA LEVEL TO 2499'            | 1    |

\* Must Order Orifice Spud Separately Item 39 for Natural and Item 40 for

- |    |                 |                    |
|----|-----------------|--------------------|
| 24 | 00-957067-000G1 | Riser - Stub 36 In |
| 25 | 00-957066-000G1 | Riser - Stub 24 In |
| 26 | 00-957065-000G1 | Riser - Stub 18 In |
| 27 | 00-957064-000G1 | Riser - Stub 12 In |
- PARTS NOT ILLUSTRATED**

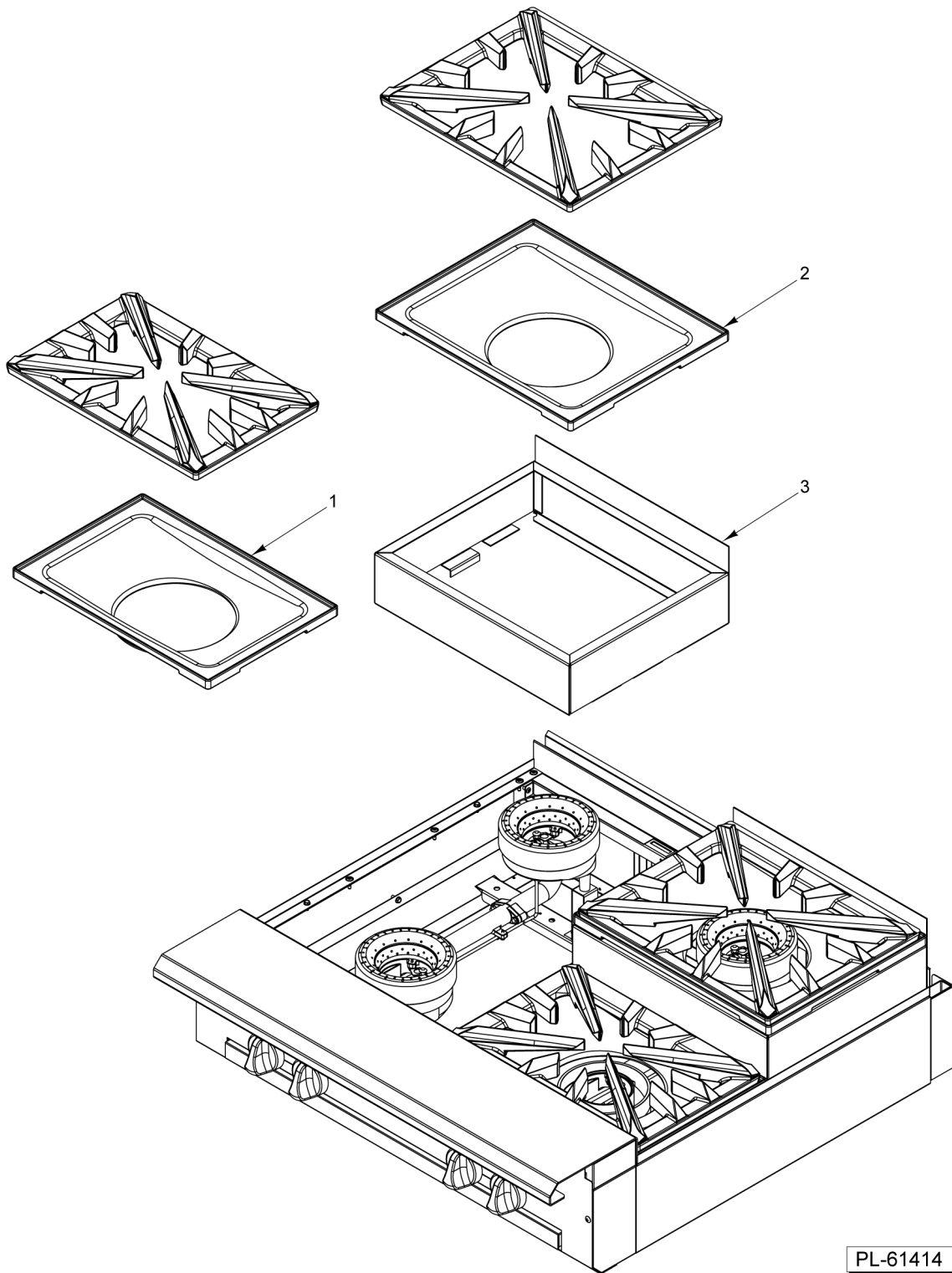


PL-61413

**12/18/24/36 IN WORK TOP**

**12/18/24/36 IN WORK TOP**

| ILLUS.<br>PL-61413 | PART NO.        | NAME OF PART   | AMT. |
|--------------------|-----------------|--|------|
| 1                  | 00-497984-00001 | Retainer - Grate.....                                | 2    |
| 2                  | 00-499615-00002 | Deflector - Rear (SST) (36" Work Top).....           | 1    |
| 3                  | 00-956725-00002 | Deflector - Rear (SST) (24" Work Top).....           | 1    |
| 4                  | 00-956697-00002 | Deflector - Rear (SST) (18" Work Top).....           | 1    |
| 5                  | 00-499935-00002 | Deflector - Rear (SST) (12" Work Top).....           | 1    |
| 6                  | FP-012-02       | Fitting - Tube 1/2 TBG X 3/8 MPT.....                | 1    |
| 7                  | 00-426509-00010 | Tube - Flex 1/2" O.D. 10" Lg.....                    | 1    |
| 8                  | 00-957590-00001 | Cover Manifold (36" Work Top).....                   | 1    |
| 9                  | 00-957572-00001 | Cover Manifold (24" Work Top).....                   | 1    |
| 10                 | 00-957566-00001 | Cover - Manifold (18" Work Top).....                 | 1    |
| 11                 | 00-957558-00001 | Cover - Manifold (12" Work Top).....                 | 1    |
| 12                 | 00-956639-000G1 | Work Top Assy. 36".....                              | 1    |
| 13                 | 00-956639-000G2 | Work Top Assy. 24".....                              | 1    |
| 14                 | 00-956639-000G3 | Work Top Assy. 18".....                              | 1    |
| 15                 | 00-956639-000G4 | Work Top Assy. 12".....                              | 1    |
| 16                 | 00-499555-00001 | Disconnect - Gas Female.....                         | 1    |
| 17                 | 00-499047-00001 | Bracket - Disconnect.....                            | 1    |
| 18                 | 00-499425-000G1 | Front Top Assy. (36" Work Top).....                  | 1    |
| 19                 | 00-957235-000G1 | Front Top Assy - Condiment Rail (36" Work Top).....  | 1    |
| 20                 | 00-956705-000G1 | Front Top Assy. (24" Work Top).....                  | 1    |
| 21                 | 00-957357-000G1 | Front Top Assy. - Condiment Rail (24" Work Top)..... | 1    |
| 22                 | 00-956658-000G1 | Front Top Assy (18" Work Top).....                   | 1    |
| 23                 | 00-499966-000G1 | Front Top Assy. (12" Work Top).....                  | 1    |
| 24                 | 00-957067-000G1 | Riser - Stub 36" W/Alum. Back.....                   | 1    |
| 25                 | 00-957066-000G1 | Riser - Stub 24" W/Alum. Back.....                   | 1    |
| 26                 | 00-957065-000G1 | Riser - Stub 18" W/Alum. Back.....                   | 1    |
| 27                 | 00-957064-000G1 | Riser - Stub 12" W/Alum. Back.....                   | 1    |

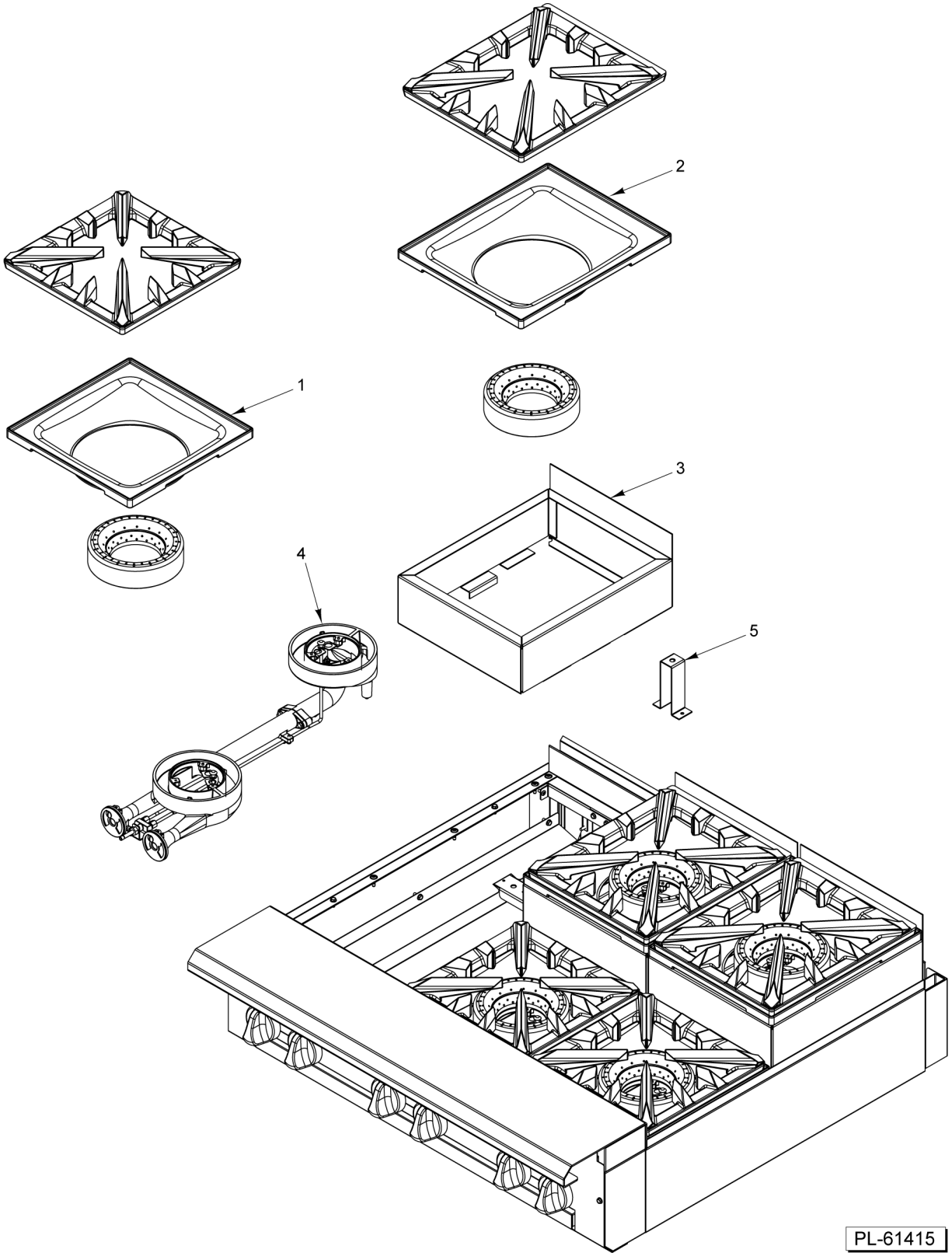


PL-61414

**18/36 IN STEP UP OPEN TOP BURNER**

**18/36 IN STEP UP OPEN TOP BURNER**

| <b>ILLUS.</b>   | <b>PART NO.</b> | <b>NAME OF PART</b>           | <b>AMT.</b> |
|-----------------|-----------------|-------------------------------|-------------|
| <b>PL-61414</b> |                 |                               |             |
| 1               | 00-957882-00001 | Bowl - Front 18" Step Up..... | 2           |
| 2               | 00-957881-00001 | Bowl - Rear 18" Step Up.....  | 2           |
| 3               | 00-957877-000G1 | Frame - 18" Step Up.....      | 2           |

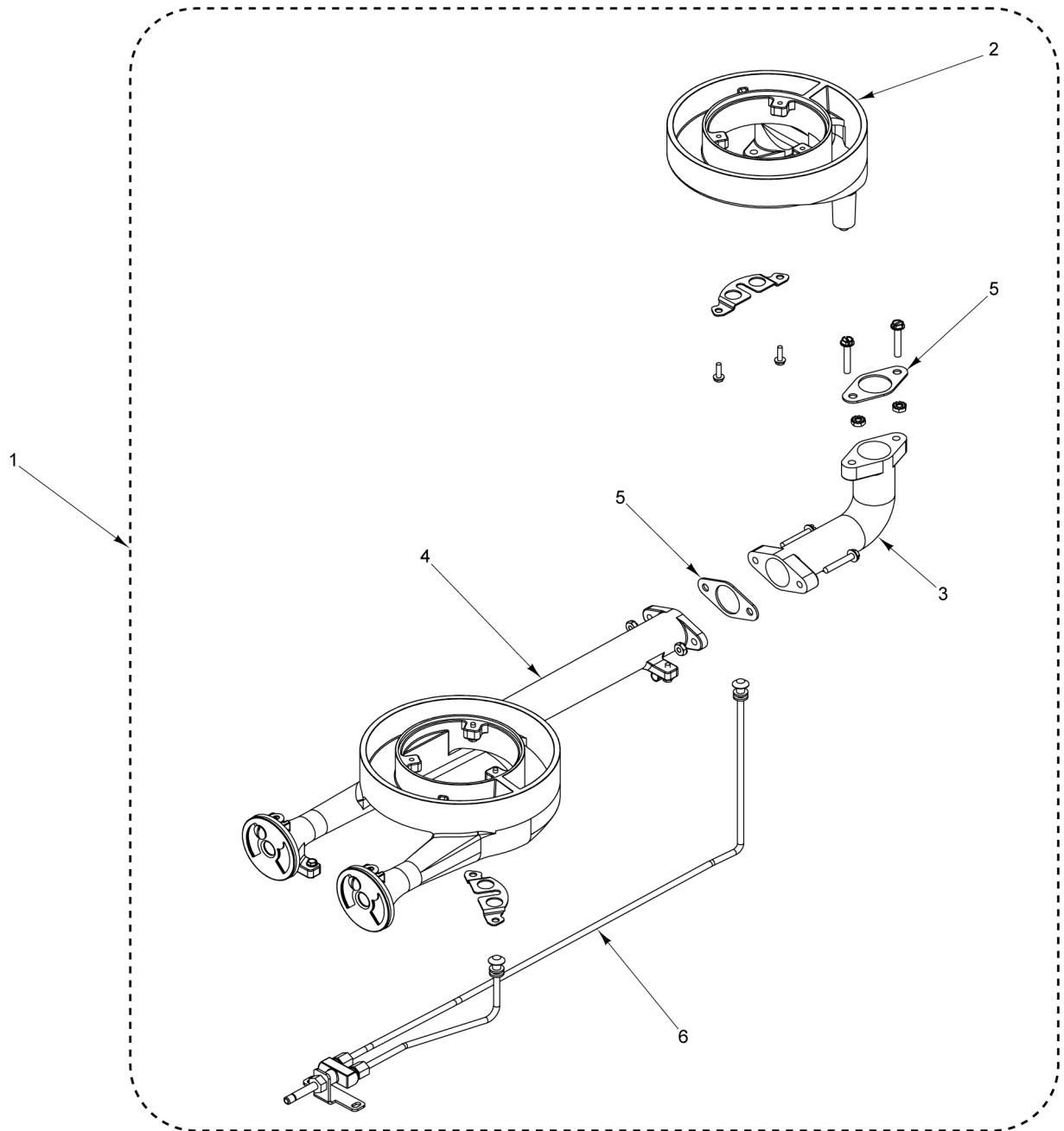


PL-61415

**36 IN 6 OPEN TOP STEP UP BURNER**

**36 IN 6 OPEN TOP STEP UP BURNER**

| ILLUS.   | PART NO.        | NAME OF PART                  | AMT. |
|----------|-----------------|-------------------------------|------|
| PL-61415 |                 |                               |      |
| 1        | 00-957878-00001 | Bowl - 12" Front.....         | 1    |
| 2        | 00-958879-00001 | Bowl - 12" Rear.....          | 1    |
| 3        | 00-957877-000G1 | Frame - 18" Step Up.....      | 1    |
| 4        | 00-957817-000G1 | Burner Assy. - Step Up.....   | AR   |
| 5        | 00-957880-00001 | Support - Burner Step Up..... | AR   |



PL-61416

### STEP UP BURNER ASSEMBLY



**STEP UP BURNER ASSEMBLY**

| ILLUS.<br>PL-61416 | PART NO.        | NAME OF PART                 | AMT. |
|--------------------|-----------------|------------------------------|------|
| 1                  | 00-957817-000G1 | Burner Assy. - Step Up.....1 | 1    |
| 2                  | 00-957826-00001 | Burner - Rear Step Up.....1  | 1    |
| 3                  | 00-957825-00001 | Elbow - Center Step Up.....1 | 1    |
| 4                  | 00-957824-00001 | Burner - Front Step Up.....1 | 1    |
| 5                  | 00-957823-00001 | Gasket.....1                 | 1    |
| 6                  | 00-959108-000G2 | Pilot Assy. - Step Up.....1  | 1    |

