



ENDURANCE™ GAS RESTAURANT RANGE

6 Open Burners / 24" Griddle-Broiler
60" Wide Gas Range



SELL SHEET

Model 60SS-6B24GBN
Shown on optional casters



SPECIFIER STATEMENT

60" wide gas restaurant range, Vulcan Model No. 60SS-6B24GBN. Fully MIG welded aluminized steel frame for added durability. Stainless steel front, sides, backriser, highshelf and 6" adjustable legs. Extra deep crumb tray with welded corners. Six 30,000 BTU/hr. open top burners with lift-off burner heads. Energy saving flashtube open burner ignition system (one pilot for every two burners) shrouded for reliability. 24" manual griddle-broiler, 30,000 BTU/hr., 4 inch wide grease trough. Heavy duty cast grates, easy lift-off 12" x 12½" in the front and 12" x 14½" in the back to better accommodate stock pots or large pans. Grates have a built in aeration bowl for greater efficiency. Burner knobs are cool to the touch, high temperature material. Two ovens: left oven is 23,000 BTU/hr. baker's depth oven, measures 26¼"d x 20¼"w x 14"h. Right oven is 35,000 BTU/hr. baker's depth oven, measures 27"d x 26¾"w x 14"h. Oven thermostat adjusts from 250°F to 500°F with a low setting. Each oven is supplied with two racks, two rack guide sets, and four rack positions. Oven doors are heavy duty with an integrated door hinge/spring mechanism requiring no adjustment. 1" rear gas connections with rear manifold and pressure regulator. Total input 268,000 BTU/hr.

Exterior Dimensions:

34¾"d x 60"w x 58"h on 6" adjustable legs

Project _____
AIA # _____ SIS # _____
Item # _____ Quantity _____ C.S.I. Section 114000

MODELS

- 60SS-6B24GBN** 2 Standard Ovens / Natural Gas
- 60SS-6B24GBP** 2 Standard Ovens / Propane
- 60SC-6B24GBN** 1 Standard Oven / 1 Convection Oven Natural Gas
- 60SC-6B24GBP** 1 Standard Oven / 1 Convection Oven Propane

STANDARD FEATURES

- Fully MIG welded frame
- Stainless steel front, sides, backriser, lift-off high shelf
- 6" stainless steel adjustable legs
- Six open top burners, each burner is 30,000 BTU/hr. with lift-off burner heads
- 24" manual griddle-broiler, 30,000 BTU/hr., 4 inch wide grease trough
- Shrouded flash tube pilot system (one pilot per two burners)
- Heavy duty cast grates, easy lift-off 12" x 12½" in front and 12" x 14½" in the rear
- Extra deep pull out crumb tray with welded corners
- 23,000 BTU/hr. baker's depth oven cavity, full size sheet pans (18" x 26") fit front-to-back
- 35,000 BTU/hr. convection oven in place of standard oven 24"d x 26¾"w x 13⅞"h (115v - 1 phase blower motor, 4 amp, 6' cord and plug); full size sheet pans fit side-to-side in convection oven; convection oven motor requires field attachment
- Oven thermostat adjusts from 250°F to 500°F
- Heavy duty cool touch oven door handles
- Two oven racks and four rack positions for each oven
- 1" rear gas connection and pressure regulator
- One year limited parts and labor warranty

ACCESSORIES (PACKAGED AND SOLD SEPARATELY)

- Extra oven rack with rack guides
- Casters (set of four)
- Flanged feet (set of four)
- 10" stainless steel stub back
- Reinforced high shelf for mounting salamander broiler
- Hot tops

ENDURANCE GAS RESTAURANT RANGE – 6 Open Burners / 24" Griddle-Broiler / 60" Wide Gas Range

Approved by _____ Date _____ Approved by _____ Date _____



ENDURANCE™ GAS RESTAURANT RANGE

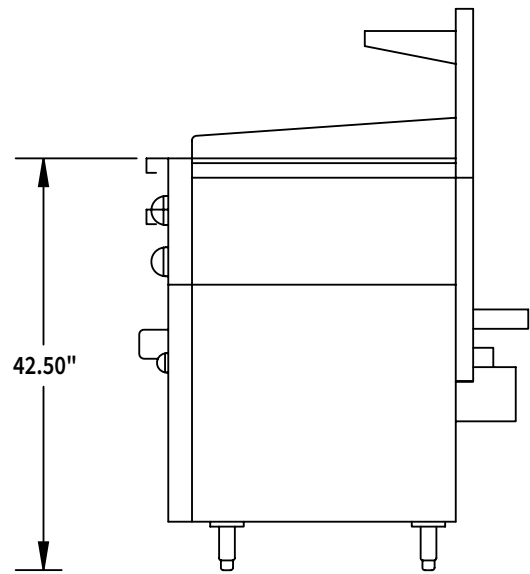
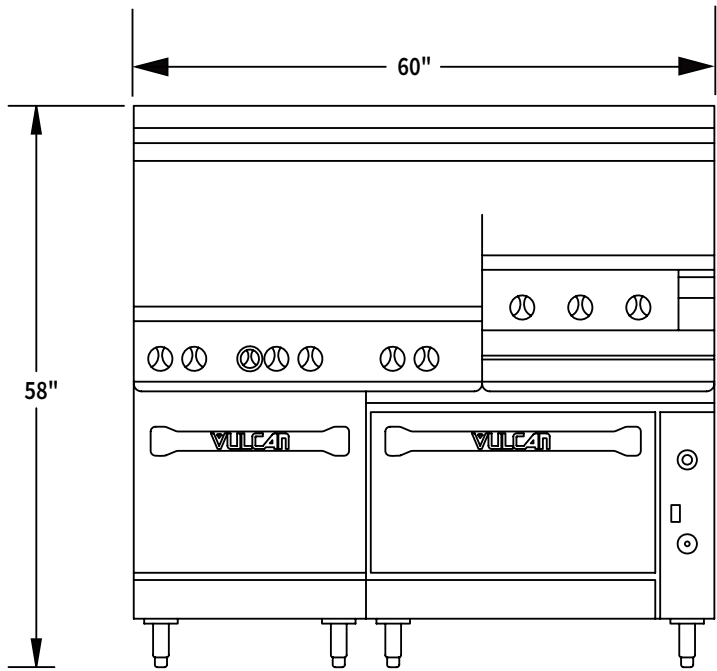
6 Open Burners / 24" Griddle-Broiler
60" Wide Gas Range

INSTALLATION INSTRUCTIONS INSTALLATION MANUAL

- A pressure regulator sized for this unit is included. Natural gas 5.0" W.C., propane gas 10.0" W.C.
- Gas line connecting to range must be 1" or larger. If flexible connectors are used, the inside diameter must be 1" or larger.
- An adequate ventilation system is required for commercial cooking equipment. Information may be obtained by visiting the National Fire Protection Association website at <https://www.nfpa.org/>. Refer to NFPA No. 96.
- These units are manufactured for installation in accordance with ANSZ223.1A (latest edition), National Fuel Gas Code. Information may be obtained from The American Gas Association website at <https://www.aga.org/>.
- Clearances

	Rear	Sides
Combustible	6"	10"
Standard Oven Non-Combustible	0"	0"
Convection Oven Non-Combustible	Min. 4"	0"
- For proper combustion, install equipment on adjustable legs or casters provided with unit.
- This appliance is manufactured for commercial installation only and is not intended for home use.

**SPECIFY TYPE OF GAS WHEN ORDERING.
SPECIFY ALTITUDE WHEN ABOVE 2,000 FEET.**



▶ CAD and/or Revit Files Available

Top Configuration	Model	Description	Total Input BTU / Hr.	Shipping Weight Lbs. / KG
	60SS-6B24GBN	2 Standard Ovens / 6 Burners 24" Griddle-Broiler / Natural Gas	268,000	1,025 / 465
	60SS-6B24GBP	2 Standard Ovens / 6 Burners 24" Griddle-Broiler / Propane	268,000	1,025 / 465
	60SC-6B24GBN	1 Standard Oven / 1 Convection Oven / 6 Burners 24" Griddle-Broiler / Natural Gas	268,000	1,045 / 492
	60SC-6B24GBP	1 Standard Oven / 1 Convection Oven / 6 Burners 24" Griddle-Broiler / Propane	268,000	1,045 / 492

As continued product improvement is a policy of Vulcan, specifications are subject to change without notice.