



MOBILE BARS

For Conventional Beverage Service Using Cans and Bottles

“CB” SERIES

Increase beverage sales with a portable bar designed for cans and bottle - built to serve as the toughest bar in town

- 1** Made for mobile applications - perfect for event hosting in any environment where can and bottle service is required
- 2** Available in a variety of styles:
 - Weather-All - Stainless Steel Throughout
 - Professional - Laminate Exterior
 - Executive - Maple Wood Exterior
 - Architectural - Mahogany Wood Exterior
 Wood and laminate styles come in a variety of stain and color options (see back)
- 3** All CB series bars are constructed with a stainless steel tubular welded base frame designed to absorb shock during transport
- 4** Insulated ice bin with drain, 60lb ice bin capacity with drain and sliding stainless steel cover (8' bars come with two (2) ice bins)
- 5** Easy to clean - the sanitary stainless steel work areas and interior make clean up quick and easy
- 6** Accessories include stainless steel condiment holder and removable speed rail with towel ring
- 7** Matching back bar and ice carts are available in each style FWE offers: Weather-all, Professional, Executive, and Architectural

***Two Year Limited Warranty**



Made for Mobile Applications



Tubular Welded Base Frame



60lb Ice Bin with Drain



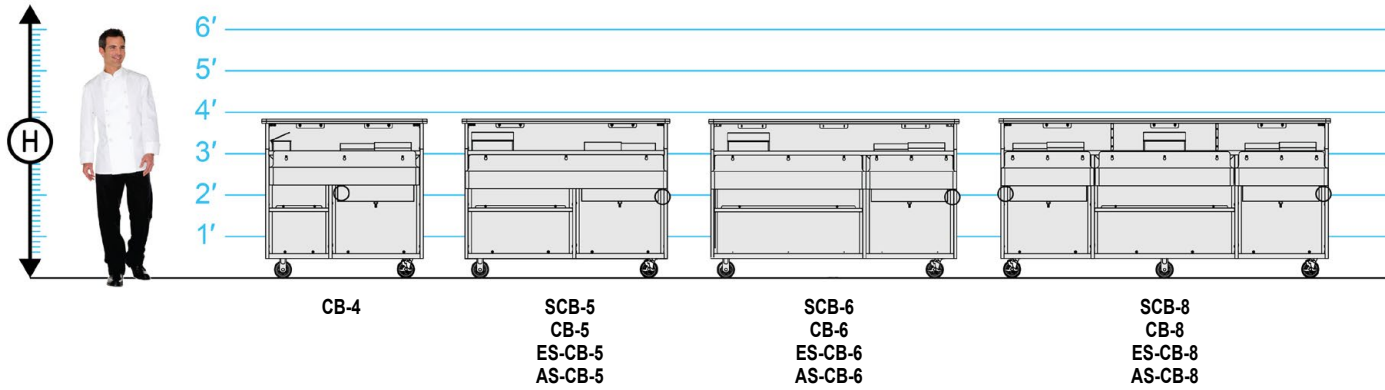
Removable Bottle Speed Rail



FOR MODEL-SPECIFIC CERTIFICATIONS SEE FWE.COM/CERTIFICATIONS

SPECIFICATIONS

MOBILE BARS



Stainless and Laminate Models are NSF Approved

	MODEL NUMBER	OVERALL EXTERIOR DIMENSIONS IN. (mm) (Height Includes Casters)			Consult Factory for SHIPPING CLASS		
		HIGH "H"	DEEP [A] "D"	WIDE "W"	WORKING AREA HEIGHT	STORAGE AREA DIMS (IN)	SHIP WT. LBS. (KG)
Stainless Steel	SCB-5	45.75" (1162)	29.25" (743)	59.5" (1511)	35.5" (902)	30W x 28.5H x 23D	380 (173)
	SCB-6	45.75" (1162)	29.25" (743)	72" (1829)	35.5" (902)	43W x 28.5H x 23D	430 (196)
	[B] SCB-8	45.75" (1162)	29.25" (743)	95" (2413)	35.5" (902)	40.25W x 28.5H x 23D	750 (341)
Laminate	CB-4	45.75" (1162)	29.25" (743)	47.5" (1207)	35.5" (902)	17.25W x 28.5H x 23D	315 (143)
	CB-5	45.75" (1162)	29.25" (743)	59.5" (1511)	35.5" (902)	30W x 28.5H x 23D	425 (192)
	CB-6	45.75" (1162)	29.25" (743)	72" (1829)	35.5" (902)	43W x 28.5H x 23D	525 (239)
	[B] CB-8	45.75" (1162)	29.25" (743)	95" (2413)	35.5" (902)	40.25W x 28.5H x 23D	730 (332)

	MODEL NUMBER	OVERALL EXTERIOR DIMENSIONS IN. (mm) (Height Includes Casters)			Consult Factory for SHIPPING CLASS		
		HIGH "H"	DEEP [A] "D"	WIDE "W"	WORKING AREA HEIGHT	STORAGE AREA DIMS (IN)	SHIP WT. LBS. (KG)
Maple Wood	ES-CB-5	45.75" (1162)	29.25" (743)	59.5" (1511)	35.5" (902)	30W x 28.5H x 23D	410 (186)
	ES-CB-6	45.75" (1162)	29.25" (743)	72" (1829)	35.5" (902)	43W x 28.5H x 23D	520 (236)
	[B] ES-CB-8	45.75" (1162)	29.25" (743)	95" (2413)	35.5" (902)	40.25W x 28.5H x 23D	585 (266)
Mahogany Wood	AS-CB-5	45.75" (1162)	32.5" (826)	60.5" (1537)	35.5" (902)	30W x 28.5H x 23D	520 (236)
	AS-CB-6	45.75" (1162)	32.5" (826)	73.25" (1861)	35.5" (902)	43W x 28.5H x 23D	560 (255)
	[B] AS-CB-8	45.75" (1162)	32.5" (826)	96" (2439)	35.5" (902)	40.25W x 28.5H x 23D	860 (391)

[A] The depth dimensions include standard removable 4.5" deep speed rail. [B] 8 foot models furnished with 2 ice bins. 1.5" to the width and .5" to depth. *Adding a full bumper will add 1.5" to the width and .5" to depth.

LAMINATE STYLES



MAPLE WOOD STAINS



MAHOGANY WOOD STAINS



Scan QR code for our full wood and laminate selection sheet

FWE.COM/BARSTYLE

CONSTRUCTION. Heliarc welded, single unit construction shall consist of welded stainless steel base frame of heavy gauge 1" square stainless steel tubing with extra 10 gauge stainless steel caster corner plate reinforcements. Full length, heavy gauge stainless steel angles reinforce front corners of body on inside with high impact edging on outside corners. Work surface shall be constructed of 20 gauge stainless steel. Interior of body shall be lined with 22 gauge stainless steel, bonded to cabinet walls and bottom storage area. Seams shall overlap for greater durability and moisture resistance. Work and splash areas shall be polished stainless steel with easy-to-clean coved corners. Front edge shall have raised marine nosing to contain spills.

FINISH MATERIALS & TOP.

SCB Series: Shall be stainless steel, heliarc welded; ground and polished exterior and stainless steel bar top.

CB Series: Front and side panels shall be high-pressure, dual-side counter-balanced laminate .75" thick finish. Laminate selections are available. Full length, heavy gauge stainless steel angles reinforce front corners of body on inside, with high impact edging on outside corners. Black laminate top with bull-nose rounded corners.

ES-CB Series: Classic raised solid maple wood panels. All wood surfaces finished with polymer coating to deter scratching and gouging. Constructed with reinforced joints for additional strength and durability. Solid surface top.

AS-CB Series: Classic raised solid mahogany wood panels, fluted columns, crown molding. Laminate, Graphite Nebula bar top with an

oversized mahogany wood "Chicago Arm" surround. Solid brass kick plate provided in front and sides of unit. All wood surfaces finished with polymer coating to deter scratching and gouging. Constructed with reinforced joints for additional strength and durability.

CASTERS. Maintenance free polyurethane tire casters in a configuration of two (2) rigid and two (2) swivel with brake. Eight (8) foot models are equipped with six (6) casters: two (2) rigid casters and four (4) swivel with brake. Casters shall have a reinforced yoke mounted to 10 gauge caster plate. The caster mounting plate shall be secured to a 10 gauge stainless steel reinforcing stress plate via welded in place stainless steel studs. The reinforcing stress plates shall be welded to the heavy gauge tubular base frame.

STORAGE AREA. On all models, the bottom storage area shall be stainless steel lined. Provided with one shelf.

BAR ACCESSORIES. Standard equipment shall include 4.25" deep, heavy gauge stainless steel full length bottle speed rail; removable without tools. Towel ring shall be mounted to working side. Stainless steel condiment holder provided.

INSULATED ICE BIN WITH DRAIN. Ice bin with drain shall be one-piece stainless steel with coved corners: 19.75" x 12.75" x 10.5" deep. Ice bin shall have enclosed foam insulation with drain with shut-off drain valve. 8 foot models shall have two (2) ice bins with drains. Ice bin shall have a capacity of 60lbs of ice, and be provided with a stainless steel sliding cover.

INSTALLATION. Unit should not be installed in an area where adverse environmental conditions are present.

OPTIONAL ACCESSORIES

- Locking doors
- CASTERS** (CB & SCB only)
 - Larger casters
- BUMPERS** (CB & SCB only)
 - Corner bumpers
 - Full perimeter bumper
 - Vertical stainless steel corner guards
- EXTRAS**
 - Locking bottle speed rail
 - Stainless steel bar gutters
 - Protective storage cover
 - Custom laminate or stain
 - Custom tops
 - Graphic wrap (SCB only)
 - Built-in electric hand sink (not available on CB-4)
 - Double-hung speed rail



FOOD WARMING EQUIPMENT COMPANY, INC.

5599 HWY. 31 W. Portland, TN 37148

800-222-4393 | WWW.FWE.COM | SALES@FWE.COM

COOK | HOLD | TRANSPORT | SERVE | REFRIGERATION | BARS



FWE products may be covered under one or more of the following U.S. patents: 288,299; 238,300; 3,952,609; 4,192,991. All rights reserved. All specifications subject to change without notice. Errors subject to correction. © 23 Food Warming Equipment Company, Inc. | R.23.01