



**TOP SHELF EXTRA CAPACITY SINKS**  
*TS & TSF Series One Compartment (M1) and Three Compartment Sinks (M3)*

MODEL NUMBERS - TS18M1-EC, TSF18M1-EC, TS54M3-EC, TSF54M3-EC



JOB	
AREA	
ITEM NO.	
MODEL NO.	

MODELS	
TS Series	TSF Series
TS18M1-EC	TSF18M1-EC
TS54M3-EC	TSF54M3-EC



TS18M1-EC



TS54M3-EC

**KEY PRODUCT FEATURES AND BENEFITS**

- Additional capacity meets various regional health codes.
- Extra deep stainless steel bowls are durable and withstand the wear of normal use with a greater capacity.
- Sink bowls are 16-1/4"W & 16" front to back & 15" deep.

**Additional Features:**

- Designed to mount easily to other Perlick equipment for a seamless layout behind your bar.
- Stainless steel legs with adjustable thermoplastic feet install without tools for freestanding applications.
- Commercial grade lead free faucets and anti-microbial handles available.



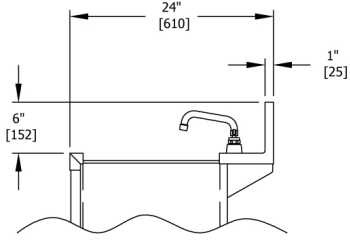
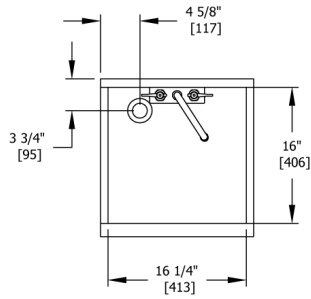
**TOP SHELF EXTRA CAPACITY SINKS**  
**TS & TSF Series One Compartment (M1) and Three Compartment Sinks (M3)**

MODEL NUMBERS - TS18M1-EC, TSF18M1-EC, TS54M3-EC, TSF54M3-EC

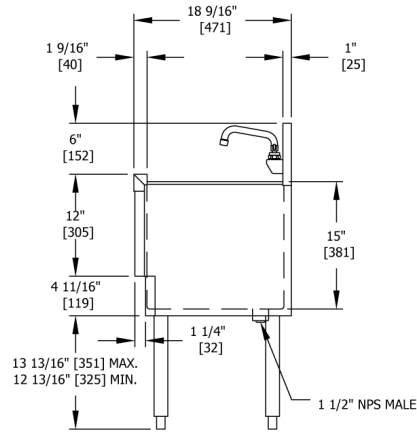
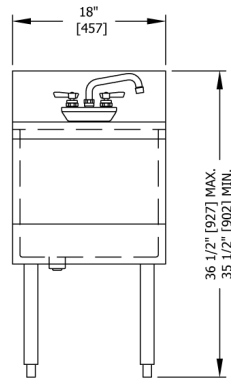
MODEL NOS.		TS18M1-EC	TSF18M1-EC	TS54M3-EC	TSF54M3-EC
<b>DIMENSIONS: EXTERIOR (mm)</b>	<b>Width (in. (mm))</b>	54 (1372)		54 (1372)	
	<b>Depth</b>	<b>TS Series 18-9/16" / TSF Series 24"</b>			
	<b>Height</b>	Free standing = 36" Height / Modbar = 40-3/8" height			
	<b>Number of Tanks</b>	1		3	
	<b>Ship Weight, Lbs. (kg)</b>	105 (48)		205 (93)	
<b>MATERIALS</b>	<b>General</b>	All stainless steel parts			
	<b>Front Ledge &amp; Apron</b>	20 gauge stainless steel			
	<b>Backsplash</b>	6" high (4" high optional) with 1" return at the top, mechanically fastened and sealed to hand sink top with steel support brackets. <b>TS Series:</b> 20 gauge stainless steel <b>TSF Series:</b> 5-1/2" rear deck, 20 gauge stainless steel on backsplash and rear deck			
	<b>Ends, Back &amp; Bottom</b>	Stainless steel			
	<b>Legs</b>	1-5/8" tubular, stainless steel with 1" adjustable thermoplastic feet			
	<b>Rinse Tank</b>	20 gauge stainless steel, 16"x16-1/4"x15" deep. All horizontal corners have 1/4" radius and vertical corners have 3/16" radius with balled corners. Furnished with 1-1/2" stainless steel drain socket and 12" standpipe. Sound deadening underside.			
	<b>Water Faucet</b>	Hot and cold, heavy-duty all brass construction, chrome plated. <b>Must be ordered separately.</b> <b>TS Series:</b> Wall mount with 6" swing spout <b>TSF Series:</b> Deck-mount with 6" swing spout			
<b>PLUMBING</b>	<b>Drain Connection</b>	1-1/2" NPS male. Hot and cold water connection 1/4" NPT female.			
<b>OPTIONAL ACCESSORIES</b>	Optional lead-free faucet available for both 1 and 2 sink models				



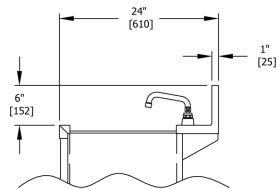
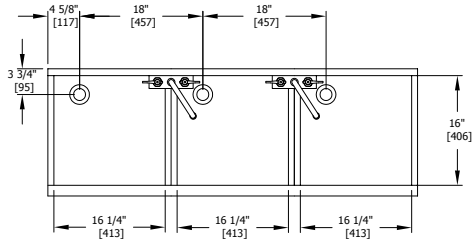
**TOP SHELF EXTRA CAPACITY SINKS**  
**TS & TSF Series One Compartment (M1) and Three Compartment Sinks (M3)**



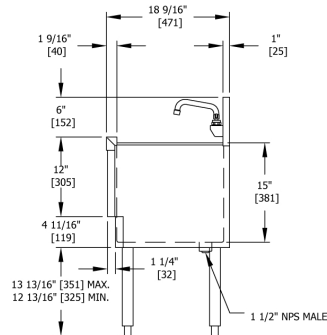
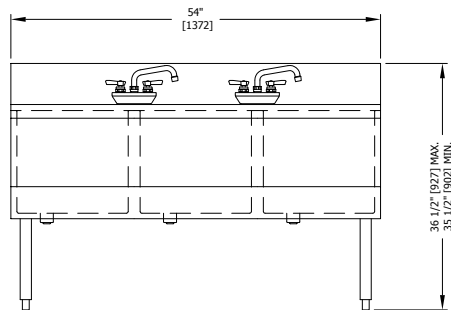
**TSF END VIEW**



**TS END VIEW**



**TSF END VIEW**



**TS END VIEW**