

Applicable Models:

MP Series machines

PM Frequency:

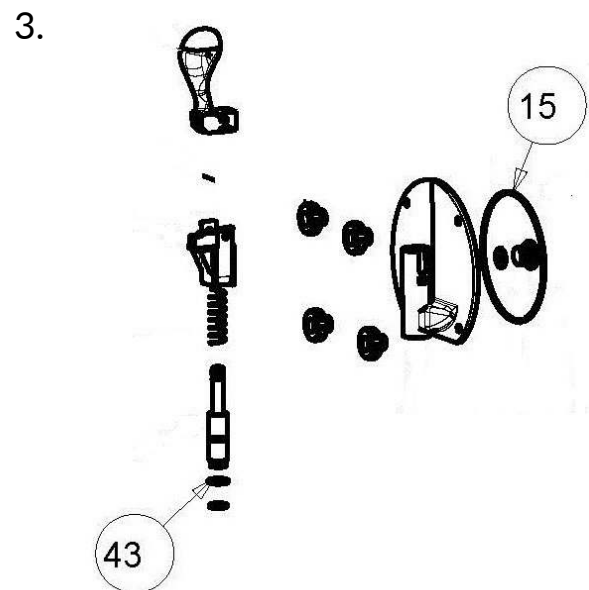
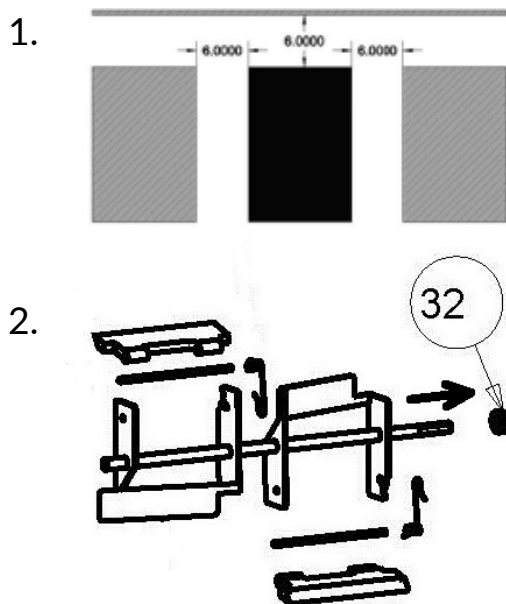
Every 12 months

Parts Included:

- Lubricant tube (04.ZZ0597.001)
- Flange O-Ring (04.MP0063.001)
- Faucet piston O-Rings (04.BA0026.TPS)
- Cylinder rotational seal (04.MP0016.001)

Descriptions and Instructions:

1. Verify unit clearance per diagram
2. Clean the condenser on the machine right side
3. Replace the cylinder rotational seal assembled on the beater shaft (32)
4. Replace faucet piston O-Rings (43) and the flange O-Rings (15)
5. Lubricate as indicated in the Operator's Manual



Operator Manuals, including use and care instructions as well as product video tutorials, can be found on our website or by calling Technical Support (select 1 for technical service)

390-00270 rev 2