



STAINLESS STEEL DISHTABLES

WITH 3 COMPARTMENT FABRICATED SINKS

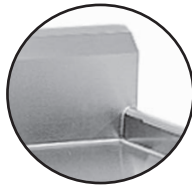


DTC-3-1620-84R Shown

Bowls are located 12" in from machine.
For custom bowl location, use **DTA-76**.

Must verify machine for Control Box or Drive Unit Interference.

**10-1/2" EXTRA LARGE
Bold Looking Backsplash
with 2" return and tile edge**



Item #: _____ Qty #: _____

Model #: _____

Project #: _____

FEATURES:

- 3 Compartment Sinks.
- Tile edge for ease of installation.
- Sink bowls positioned to optimize maximum work surface area.

CONSTRUCTION:

- All TIG welded.
- 16 Gauge Stainless Steel (For 14 Gauge Upgrade Add **DTA-49**).
- Stainless Steel Legs and Cross Bracing.
- Stainless Steel Bullet Feet.
- Gussets welded to Stainless Steel Channels.
- Welded areas blended to match adjacent surfaces and to a satin finish.

MECHANICAL:

- Faucet holes in splash punched on 8" centers. (Faucet not included)
- Waste drains are 1 1/2" IPS and are included.

Model #	Length (L)	Bowl Size		Drainboard Size			Approx. Weight
		A x B x C	(D)	E	F	G	
DTC-3-1620-66LorR	66"	16" x 20" x 14"	6"	16"	20"	32"	200 lbs.
DTC-3-1620-84LorR	83"	16" x 20" x 14"	23"	16"	20"	32"	220 lbs.
DTC-3-1620-96LorR	95"	16" x 20" x 14"	35"	16"	20"	32"	240 lbs.
DTC-3-1620-120LorR	119"	16" x 20" x 14"	59"	16"	20"	32"	265 lbs.
DTC-3-1620-144LorR	143"	16" x 20" x 14"	83"	16"	20"	32"	290 lbs.
DTC-3-1824-96LorR	95"	18" x 24" x 14"	29"	18"	21"	35"	350 lbs.
DTC-3-1824-108LorR	107"	18" x 24" x 14"	41"	18"	21"	35"	250 lbs.
DTC-3-1824-120LorR	119"	18" x 24" x 14"	53"	18"	21"	35"	260 lbs.
DTC-3-1824-144LorR	143"	18" x 24" x 14"	77"	18"	21"	35"	365 lbs.
DTC-3-2020-84LorR	83"	20" x 20" x 14"	11"	20"	22"	38"	240 lbs.
DTC-3-2020-96LorR	95"	20" x 20" x 14"	23"	20"	22"	38"	260 lbs.
DTC-3-2020-108LorR	107"	20" x 20" x 14"	35"	20"	22"	38"	285 lbs.
DTC-3-2020-120LorR	119"	20" x 20" x 14"	47"	20"	22"	38"	310 lbs.
DTC-3-2020-144LorR	143"	20" x 20" x 14"	71"	20"	22"	38"	340 lbs.
DTC-3-2424-120LorR*	119"	24" x 24" x 14"	35"	27"	24"	32"	350 lbs.
DTC-3-2424-144LorR*	143"	24" x 24" x 14"	59"	24"	24"	32"	380 lbs.

*Requires Two Faucets

Bowls are located 12" in from machine. For custom bowl location, use **DTA-76**.

Must verify machine for Control Box or Drive Unit Interference.

Prerinse Baskets with Welded Slide Bar For Fabricated Bowls

Model #	Fits Bowls	Wt.	Cu.
DTA-125	16" x 20" x 4"	9 lbs.	1
DTA-100	20" x 20" x 4"	12 lbs.	1
Large Size Baskets			
DTA-58	18" x 24" x 4"	11 lbs.	1
DTA-59	24" x 24" x 4"	20 lbs.	1



DTA-100 Shown

Twist Handle Operated Drain

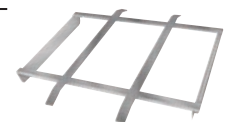


Twist Handle Support Bracket



Prerinse Slide Bars For Fabricated Bowls

Model #	Fits Bowls	Wt.	Cu.
DTA-64	16" x 20"	7 lbs.	1
DTA-60	20" x 20"	9 lbs.	1
Large Size Prerinse Slide Bars			
DTA-51	18" x 24"	8 lbs.	1
DTA-52	24" x 24"	10 lbs.	1



Twist Handle Drain with Overflow



Customer Service Available To Assist You 1-800-645-3166 8:30 am - 7:00 pm E.S.T.

For Orders & Customer Service:

Email: customer@advancetabco.com or Fax: 631-242-6900

For Smart Fabrication™ Quotes:

Email: smartfab@advancetabco.com or Fax: 631-586-2933

DIMENSIONS and SPECIFICATIONS

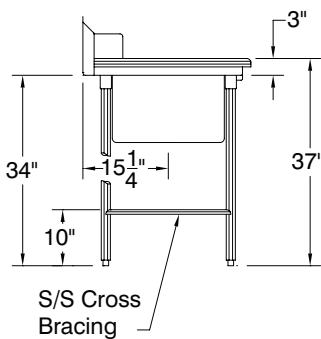
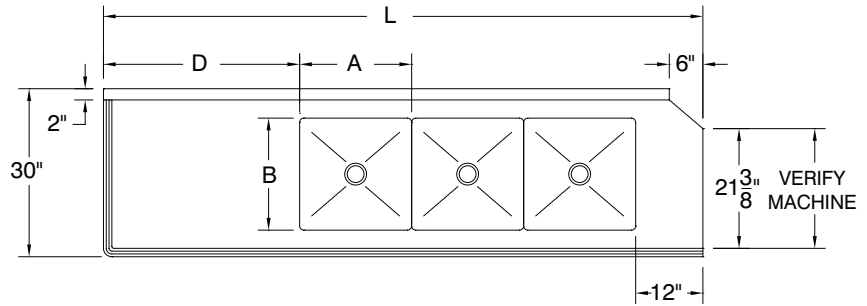
ALL DIMENSIONS ARE TYPICAL

TOL ± .500"

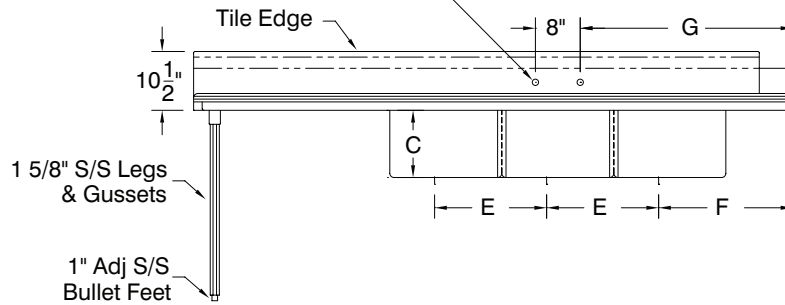
SEE DISH MACHINE COMPATIBILITY CHART TO ENSURE PROPER FIT

Dish Machine Compatibility Chart can be found on our website at www.advancetabco.com under "Product Support"

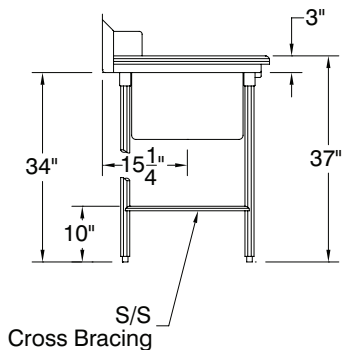
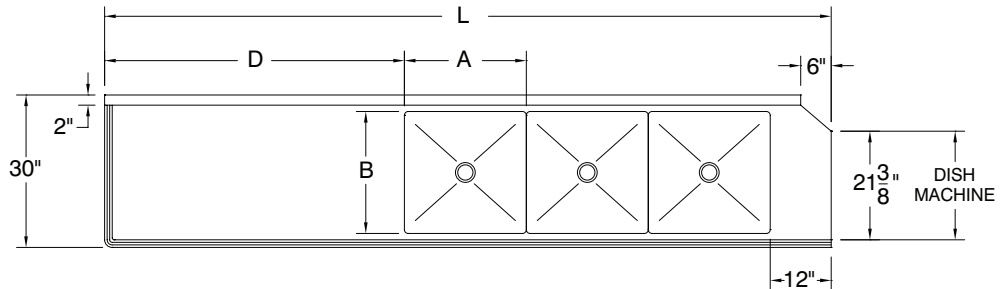
**DTC Series with
16" x 20", 18" x 24 and
20" x 20" Bowls**



Punch 1 1/8" Holes For
Faucet Supplied By Others



**DTC Series with
24" x 24" Bowls**



Punch 1 1/8" For
Faucet Supplied By Others

