

VULCAN

INSTALLATION & OPERATION MANUAL

ELECTRIC COUNTER CONVECTION STEAMERS

MODELS

C24EA3

ML-136037 208/240V 1/3 9.25KW PRO
ML-136037 C24EA3 208/240V 9.25KW PRO
ML-136038 C24EA5 208/240V 15.75KW PRO
ML-136044 480V PH 1/3 9.25KW PRO
ML-152049 208/240V PH 1/3 8.5KW PLUS
ML-152050 480V PH 1/3 8.5KW PLUS
ML-152057 208/240V PH 1/3 8.5KW PLUS/SONIC
ML-152058 208/240V PH 1/3 9.25KW PRO/SONIC
ML-152059 208/240V PH 3 8.5KW LWE/SONIC
ML-152060 480V PH 1/3 8.5KW PLUS / SONIC
ML-152061 480V PH 1/3 9.25KW PRO / SONIC
ML-152062 480V PH 3 8.5KW LWE / SONIC

C24EA5

ML-136038 208/240V 15KW PLUS
ML-136047 480V PH 1/3 15.75KW PRO
ML-152031 208/240 or 480V PH 3 15KW LWE
ML-152051 208/240V PH 1/3 15KW PLUS
ML-152052 480V PH 1/3 15KW PLUS
ML-152063 208/240V PH 1/3 15KW PLUS/SONIC
ML-152064 208/240V PH 1/3 15.75KW PRO/SONIC
ML-152065 208/240V PH 3 15KW LWE/SONIC
ML-152066 480V PH 1/3 15KW PLUS / SONIC
ML-152067 480V PH 1/3 15.75KW PRO / SONIC
ML-152068 480V PH 3 15KW LWE / SONIC



For additional information on Vulcan or to locate an authorized parts and service provider in your area, visit our website at www.vulcanequipment.com

IMPORTANT FOR YOUR SAFETY

THIS MANUAL HAS BEEN PREPARED FOR PERSONNEL QUALIFIED TO INSTALL THIS EQUIPMENT, WHO SHOULD PERFORM THE INITIAL FIELD START-UP AND ADJUSTMENTS OF THE EQUIPMENT COVERED BY THIS MANUAL.

⚠ WARNING

IMPROPER INSTALLATION, ADJUSTMENT, ALTERATION, SERVICE OR MAINTENANCE CAN CAUSE PROPERTY DAMAGE, INJURY OR DEATH. READ THE INSTALLATION, OPERATING AND MAINTENANCE INSTRUCTIONS THOROUGHLY BEFORE INSTALLING OR SERVICING THIS EQUIPMENT.

IN THE EVENT OF A POWER FAILURE, DO NOT ATTEMPT TO OPERATE THIS DEVICE.

TABLE OF CONTENTS

IMPORTANT FOR YOUR SAFETY	2
INSTALLATION, OPERATION, AND CARE OF MODEL C24EA SERIES STEAMERS.....	5
General.....	5
Professional Powersteam Option	5
Energy Star Steamer Option	5
Sonicsafe Scale Prevention Option	5
Installation	5
Unpacking.....	5
Installation Codes And Standards	6
Location	6
Leveling Feet.....	6
Leveling	6
Anchoring Steamer	6
Stacking Stand	6
Electrical Connection.....	7
Plumbing Connections.....	8
Water Requirements.....	8
Water Treatment.....	8
Water Supply Connection	8
Drain Connections	8
Vent Hood.....	9
OPERATION	10
Controls	10
Main Power Switch Light	10
Ready Light.....	10
Cooking Light.....	10
Timer.....	10
Start Up	10
Operation.....	11
Main Power Switch	11
Timer.....	11
Ready Light.....	11
Cooking Light.....	11
Sonicsafe Light	11
Call Service Light.....	11
Preheating	11
Steaming	11
Shutdown.....	11
Extended Shutdown	11

CLEANING12
 Cooking Compartment Drain12
 Draining Generator12
 Compartment.....12
 Door Gasket12
 Leave Compartment Door Open12
STAINLESS STEEL EQUIPMENT CARE AND CLEANING13
 Enemies Of Stainless Steel13
 So What Does All This Mean? Don't Despair!13
 Review13
MAINTENANCE14
 Water Treatment System14
 Removal Of Lime Scale Deposits14
 Items Required (Not Provided):14
 Professional Unit (Automatic Drain).....14
 Door Gasket15
 Draining Steam Generator.....15
COOKING HINTS16
 Preparation16
 Frozen Food Items.....16
 Acceptable Pan Sizes16
 Cooking Guidelines16
 Products To Be Cooked In Solid Pans.....17
 Products To Be Cooked In Perforated Pans18
TROUBLESHOOTING20
SERVICE AND PARTS INFORMATION.....21
NOTES.....22
FREE VULCAN & WOLF NEW EQUIPMENT CHECKOUT23
PROTECT YOUR INVESTMENT24

INSTALLATION, OPERATION AND CARE OF MODEL C24EA SERIES STEAMERS

PLEASE KEEP THIS MANUAL FOR FUTURE USE

GENERAL

Vulcan convection steamers are produced with quality workmanship and materials. Proper installation, usage and maintenance will result in many years of satisfactory performance. It is suggested that you thoroughly read this entire manual and carefully follow all the instructions provided.

The C24EA3 and C24EA5 convection steamers are single compartment, electric, pressureless steam cookers with an internal electric steam generator that maintains water temperature at approximately 195°F.

Model C24EA3 can accommodate three 2 1/2" deep (6.4 cm) steam pans. Model C24EA5 can accommodate five 2 1/2" deep (6.4 cm) steam pans. The C24EA3 and C24EA5 electric convection steamers are designed for cooking vegetables, eggs, and other foods, in commercial kitchens. The steamer has a 0 to 60-minute timer. The steamers are designed for countertop installation or on optional stands available from your Vulcan dealer.

PROFESSIONAL POWERSTEAM OPTION

Vulcan's patented super-heated steam option cooks at 235°F compared to conventional atmospheric steamers at 212°F.

ENERGY STAR STEAMER OPTION

Smart Steam Sensors continuously measure and regulate steam temperature and production, reducing scale buildup, filter changes and excess steam/water (up to 90%). Utility rebate qualified where offered.

SONICSAFE SCALE PREVENTION OPTION

Sound waves create millions of microscopic bubbles inside the steam generator, causing powerful vacuum energy that prevents scale from attaching to the walls of the steamer. The control panel is equipped with indicator lights showing that the SonicSafe system is in operation and to indicate if there is a problem and service is needed.

De-lime once a quarter instead of monthly, and change your carbon filter just once a year.

INSTALLATION

Before installing, verify that the electrical supply agrees with the specifications on the data plate located on the back panel. If the supply and equipment requirements do not agree, do not proceed with the installation. Contact your dealer or Vulcan immediately.

208/240 units are shipped pre wired for 208/60/3. 240v & single phase operation require changes to the heater connection 240/60/3, 240/60/1 and 208/60/1. This unit will operate at 60Hz or 50Hz. 480 volt units are shipped configured for 480/60/3.

LWE units are only available for 3 phase operation.

UNPACKING

This steamer was inspected before leaving the factory. The transportation company assumes full responsibility for safe delivery upon acceptance of the shipment. Immediately after unpacking, check for possible shipping damage. If steamer damage is found, save the packaging material and contact the carrier within 5 days of delivery.

INSTALLATION CODES AND STANDARDS

In the United States, the Vulcan steamer must be installed in accordance with:

1. State and local codes.
2. National Electrical Code (ANSI/NFPA No. 70, latest edition) available from the National Fire Protection Association, Batterymarch Park, Quincy, MA 02269.
3. Vapor Removal from Cooking Equipment, (NFPA-96, latest edition) available from NFPA.

In Canada, the Vulcan steamer must be installed in accordance with:

1. Local codes.
2. Canadian Electrical Code (CSAC 22.2 No. 3, latest edition) available from the Canadian Standards Association, 5060 Spectrum Way, Mississauga, Ontario, Canada L4W 5N6.

LOCATION

Allow space for plumbing and electrical connections. Minimum clearance is 6" (15.2 cm) on the back for proper air circulation. Allow adequate access for operating and servicing the steamer (36" at the front of the steamer, 15" (38 cm) above the steamer and 18" (45.7 cm) on right side of steamer).

LEVELING FEET

This steamer is shipped with four 2" leveling feet. Optional 4" leveling feet are available. The 2" feet can be removed and the optional 4" feet can be threaded into holes on the bottom of the unit.

LEVELING

Using a spirit level or pan of water in the bottom of the steamer, adjust the leveling feet or the feet on the adjustable legs to level the steamer side to side with a slight tilt front to back to allow for proper cavity draining. After the drain is connected, check for level by pouring water

onto the floor of the compartment. All water should drain through the opening at the back of the compartment cavity.

NOTICE Steamer must be installed level side to side with a slight tilt front to back to allow for proper draining.

ANCHORING STEAMER

1. Place steamer in the desired location on the countertop and mark four corners. Remove the steamer and drill 1/2" holes as indicated in Figure 1.
2. Apply a bead of RTV or other NSF approved sealant around the bottom edge of the steamer. If anchoring the steamer, this bottom seal is necessary to meet NSF requirements.
3. Set steamer on countertop and bolt down securely with 3/8" by 16" bolts (not supplied).

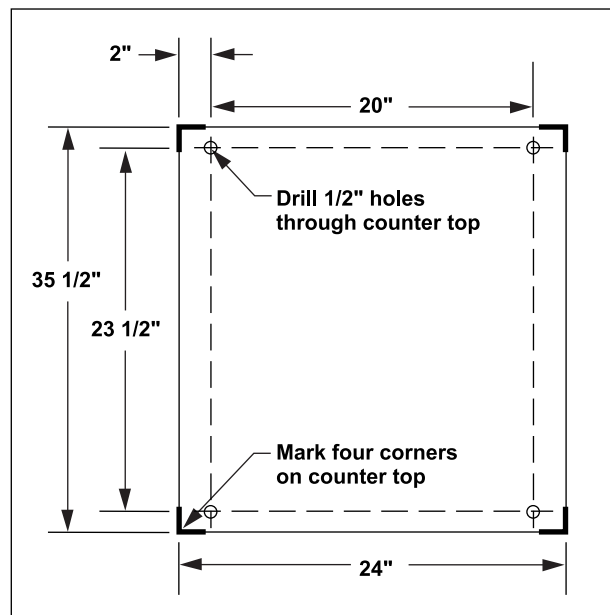


Figure 1

STACKING STAND

Instruction to install convection steamers on stacking stand are included with the stacking stand.

ELECTRICAL CONNECTION

The wiring diagram is located on the right side panel as you face the steamer. This steamer is hard wired.

⚠ WARNING Electrical and grounding connections must comply with the applicable portions of the National Electrical Code and/or other local electrical codes.

Total KW	Volts	Hz	Ph	KW Per Phase			Rated Amps			Single Phase	Circuit Size Amps	Fuse Size or Circuit Breaker Size* (Amps)	90°C Copper Min. Wire Size
							3-Phase Amps Per Line						
				L1-L2	L2-L3	L3-L1	L1	L2	L3				
8.5	208	50/60	1							40.87	60	60	8
8.5	240	50/60	1							35.42	50	50	8
8.5	208	50/60	3	4.25	2.12	2.12	26.54	26.54	17.70		35	35	10
8.5	240	50/60	3	2.83	2.83	2.83	20.50	20.50	20.50		30	25	10
8.5	480	50/60	3	2.83	2.83	2.83	10.30	10.30	10.30		15	15	16
9.25	208	50/60	1							43.57	60	60	6
9.25	240	50/60	1							38.54	50	50	8
9.25	208	50/60	3	4.25	2.69	2.12	26.54	28.88	20.04		35	35	10
9.25	240	50/60	3	2.83	3.58	2.83	20.45	23.15	23.15		30	30	10
9.25	480	50/60	3	2.83	3.58	2.83	10.21	11.57	11.57		15	15	16
15	208	50/60	1							72.12	90	90	4
15	240	50/60	1							62.50	75	75	6
15	208	50/60	3	7.50	3.75	3.75	46.84	46.84	31.23		60	60	6
15	240	50/60	3	5.00	5.00	5.00	36.08	36.08	36.08		50	50	8
15	480	50/60	3	5.00	5.00	5.00	18.04	18.04	18.04		25	25	14
15.75	208	50/60	1							74.82	90	90	4
15.75	240	50/60	1							65.63	80	80	4
15.75	208	50/60	3	7.50	4.31	3.75	46.84	49.18	33.57		60	60	6
15.75	240	50/60	3	5.00	5.75	5.00	36.08	38.79	38.79		50	50	8
15.75	480	50/60	3	5.00	5.75	5.00	18.04	19.40	19.40		25	25	14

2002 National Electric Code

*Dual Element Time-Delay Fuse or Inverse Time Circuit Breaker

Circuit Size (minimum) & Fuse/Circuit Breaker Size (maximum) compiled in accordance with the National Electrical Code (ANSI/NFPA 70), 2002 Edition.

PLUMBING CONNECTIONS

⚠ WARNING Plumbing connections must comply with applicable sanitary, safety and plumbing codes.

Water Requirements

Proper water quality can improve the taste of the food prepared in the steamer, reduce liming in the steam generator and extend equipment life. Water conditions vary from one location to another. Ask your municipal water supplier for details about your local water supply prior to installation. Presence of sediment, silica, excess chlorides or other dissolved solids may lead to a recommendation for alternate form(s) of water treatment. Test the water with the test strip included with the steamer. Other factors affecting steam generation are iron content, amount of chloridation and dissolved gases.

Water Treatment

A local water treatment specialist should be consulted before installation of steam generating equipment.

Supply Pressure	20 psig flowing - 60 psig static
Hardness	No more than 3 grains
Silica	less than 13 ppm
Total Chlorine	less than 0.5 ppm
PH range	6.5 - 8
Undissolved Solids	less than 5 microns
*17.1 ppm = 1 grain of hardness	

If the water supply fails to meet these standards, it will be necessary to install a water conditioner or scale & chlorine reduction filter system on the generator water feed. The use of strainers or particle filters will not remove minerals from the water.

Water Supply Connection

Connect the treated cold water supply line to the 3/4" (19 mm) (male hose thread) inlet. Connect the untreated cold water supply line to the 3/4" (19 mm) (male hose thread) inlet marked UNTREATED WATER.

NOTICE Do not over tighten water connections. Over tightening the hose connections will damage the water valve. Turn hose connection by hand till snug and then tighten with pliers 2/3 of a turn. Check for leaks.

NOTICE If water lines move during water fill valve operation then a water hammer arrestors must be added.

A water filter system is recommended for the water supply line going to the treated water inlet. Follow the recommendations for use and installation instructions shipped with the water filter. If a water filter is not installed, the steam generator warranty may be limited.

A manual shutoff valve must be provided in a convenient location near the steamer.

DRAIN CONNECTIONS

The drain connection (Figure 2) must be 1 1/2" (38 mm) down, preferably with one elbow only, maximum length of 6' and piped to an open gap type drain.

NOTICE In order to avoid any back pressure in the steamer, do not make a solid connection to any drain. FAILURE TO DO SO CAN DAMAGE THE STEAMER AND VOIDS THE WARRANTY.

A vent must be installed to avoid creating a vacuum or pressure in the cooking chamber.

If two steamers are stacked they must have independent drains and vents.

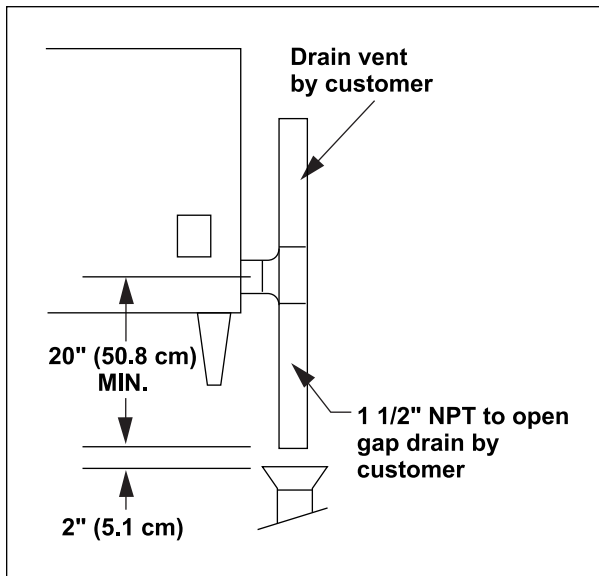


Figure 2

VENT HOOD

Local codes may require the steamer to be located under an exhaust hood. Information on the construction and installation of ventilating hoods may be obtained from *Vapor Removal from Cooking Equipment*, NFPA standard No. 96 (latest edition).

Temperatures in the drain can briefly reach as high as 212°F (100°C). Local codes may require that the temperature of drain water be no greater than 140°F (60°C). Some provision for lowering the water temperature must be provided by the user or installer to meet this code requirement.

OPERATION

CONTROLS

NOTICE Controls for SonicSafe are shown in Figure 3.

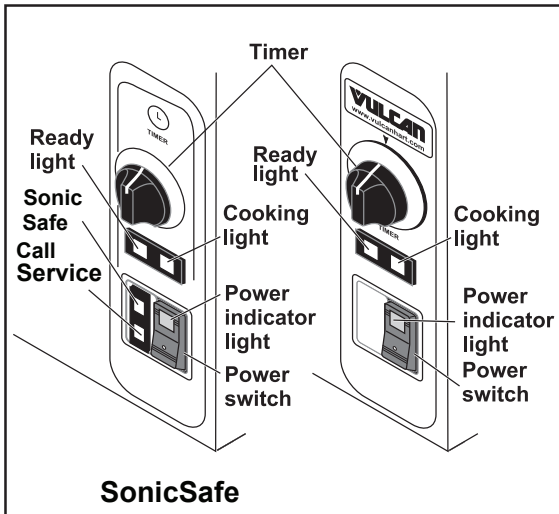


Figure 3

Main Power Switch Light

- ON** The steam generator will automatically fill and begin heating to the preset temperature.
- OFF** The steam generator will drain, switch power light will turn off.

Ready Light

The ready light indicates that the steamer is ready for the cooking cycle.

Cooking Light

The cooking light indicates that the steamer is in the cooking cycle.

Timer

Set the cooking time (0 to 60 minutes). Steam cooking will begin when the door is closed. The cooking cycle will be interrupted if the door is open during the cooking cycle; resume cooking by closing the door.

When done, a buzzer sounds and steam stops being supplied to the cooking chamber. Turn the timer OFF to stop the buzzer.

START UP

WARNING The steamer and its parts are hot. Use care when operating, cleaning or servicing the steamer. The cooking compartment contains live steam. Stay clear while opening the door.

Once the steamer is installed and all mechanical connections have been made, thoroughly test the steamer before operation.

1. Check that proper water, drain, and electrical connections have been made.
2. Open water valve.
3. Press the power switch to the ON position. Wait approximately 8-10 minutes.
4. Open the door and observe that no steam is entering the compartment, and that the ready light is ON and the cooking light is OFF.
5. Set the timer to the 5 minute position. Close the compartment door. The cooking light should now be lit and steam should be heard entering the compartment. Wait approximately 2-3 minutes.
6. Check drain line to ensure that water from the cold-water condensate valve is flowing through the drain line.
7. Open the compartment door and observe that steam supply to the compartment stops and that the cooking light is OFF.
8. Close compartment door and let cooking cycle finish. When timer returns to 0, the buzzer will sound, signaling the end of the cooking cycle. To silence the buzzer, turn the timer dial to OFF.
9. To shut down the steamer, turn off the power switch. Leave the compartment doors slightly open to allow the inside to dry out.

OPERATION

Main Power Switch

- ON** The power light will illuminate, and the generator will automatically fill and begin heating to the preset temperature.
- OFF** The power light will turn off, and the generator will drain.

Timer

Set to the desired cooking time, or set to the constant position. Timer range is 0-60 minutes.

When the timer reaches 0, the buzzer sounds and steam stops entering the cooking compartment. Turn the timer to the off position to stop the buzzer. If constant steam is selected, the steamer will steam continuously, and the timer will not time out.

Ready Light

The ready light indicates that the steamer is ready to cook.

Cooking Light

The cooking light indicates that the steamer is cooking.

SonicSafe Light

The SonicSafe light indicates that the ultrasonic scale prevention is operating.

Call Service Light

The call service light indicates the SonicSafe scale prevention is inoperable. Call your authorized service company to make repairs.

PREHEATING

Preheat the cooking compartment when the steamer is first used for the day, or whenever the compartment is cold.

When the ready light is on, set the timer to 5 minutes. The cooking light will illuminate. When the buzzer sounds, turn the timer to the OFF position. The steamer is ready to cook.

STEAMING

When the compartment is preheated, place pans of food into the cooking compartment and close the door.

Set the timer to the desired cooking time. At this point, the cooking cycle begins. Opening the door interrupts the cooking cycle. Close the door to resume cooking.

The buzzer will sound when the cooking cycle ends.

Turn the timer to the OFF position to silence the buzzer. Open the door and remove the cooked food.

If the timer is set to constant steam, the steamer will steam continuously and the buzzer will not sound.

SHUTDOWN

Set the main power switch to the OFF position.

1. Press the power switch to the OFF position.
2. Clean the compartment and door gasket.
3. Leave compartment door open.

NOTICE Power supplied to the steamer must remain on for 15 minutes after the main power switch is set to the OFF position. This will allow the drain cycle to complete.

EXTENDED SHUTDOWN

To shut down for an extended period:

1. Press the power switch to the OFF position.
2. Turn off the water and the main power supply.
3. Clean the compartment and door gasket.
4. Leave compartment door open.
5. Disconnect power.

CLEANING



⚠ WARNING Disconnect the electrical power to the machine and follow lockout / tagout procedures before cleaning.

COOKING COMPARTMENT DRAIN

Keep compartment drain running freely. Inspect compartment drains daily for blockage. Remove any particles or debris from the perforated strainer daily (or more often if needed).

After cooking greasy foods or seafood, close the doors and operate each compartment for 25 to 30 minutes to flush any residual grease and oils down the compartment drain. Make a solution of warm water and non-chloride detergent and pour 1/2 gallon (1.9 liters) of it down the compartment drain. Rinse by pouring 1/2 gallon (1.9 liters) of hot water down the compartment drain.

DRAINING GENERATOR

To prevent malfunction of controls and clogging, it is essential to drain the generator every day. This will flush out any accumulated minerals from the feed water. It will also aid in preventing internal scale buildup which would interfere with proper generator operation. Failure to drain the generator every day will void the steamer warranty. The presence of minerals in suspension is indicated by a murky or milky condition in the first portion of the water drained.

⚠ WARNING The water being drained is hot and under pressure. Use care when cleaning or servicing the generator.

After the generator has been in operation, turn the unit off with the power switch located on cooking compartment to drain the generator. The generator will drain for approximately 15 minutes, removing sediment, scale and lime buildup in the generator.

COMPARTMENT

Wash the inside of the compartment with a solution of warm water and non-chloride detergent. Rinse with warm water.

Thoroughly clean the exposed surfaces (sides, front, door and top) with a damp cloth and polish with a clean cloth daily. To remove discolorations, use a nonabrasive cleaner.

DOOR GASKET

Clean the gasket sealing surface of the compartment door to remove food acids for maximum gasket life. Do not use any solvents or sharp instruments. Wash with a cloth moistened in a solution of mild detergent and warm water. Rinse with a fresh cloth moistened with warm water to remove all traces of detergent.

Wipe dry with a clean cloth. Never apply food oils or petroleum lubricants directly to the door gasket. Petroleum-based solvents and lubricants will reduce gasket life.

LEAVE COMPARTMENT DOOR OPEN

Leave the compartment door slightly open when the steamer is not in use. When the compartment is idle, never latch the door and apply pressure to the door gasket. Leaving the gasket under pressure can cause permanent deformation and reduce gasket life.

STAINLESS STEEL EQUIPMENT CARE AND LEANING

(Supplied courtesy of NAFEM. For more information, visit their web site at www.nafem.org)

Contrary to popular belief, stainless steels ARE susceptible to rusting.

Corrosion on metals is everywhere. It is recognized quickly on iron and steel as unsightly yellow/orange rust. Such metals are called “active” because they actively corrode in a natural environment when their atoms combine with oxygen to form rust.

Stainless steels are passive metals because they contain other metals, like chromium, nickel and manganese that stabilize the atoms. 400 series stainless steels are called ferritic, contain chromium, and are magnetic; 300 series stainless steels are called austenitic, contain chromium and nickel; and 200 series stainless, also austenitic, contains manganese, nitrogen and carbon. Austenitic types of stainless are not magnetic, and generally provide greater resistance to corrosion than ferritic types.

With 12-30 percent chromium, an invisible passive film covers the steel’s surface acting as a shield against corrosion. As long as the film is intact and not broken or contaminated, the metal is passive and stain-less. If the passive film of stainless steel has been broken, equipment starts to corrode. At its end, it rusts.

Enemies of Stainless Steel

There are three basic things which can break down stainless steel’s passivity layer and allow corrosion to occur.

1. Mechanical abrasion
2. Deposits and water
3. Chlorides

Mechanical abrasion means those things that will scratch a steel surface. Steel pads, wire brushes and scrapers are prime examples.

Water comes out of the faucet in varying degrees of hardness. Depending on what part of the country you live in, you may have hard or soft water. Hard water may leave spots, and when heated leave deposits behind that if left to sit, will break down the passive layer and rust stainless steel. Other deposits from food preparation and service must be properly removed.

Chlorides are found nearly everywhere. They are in water, food and table salt. One of the worst chloride perpetrators can come from household and industrial cleaners.

So what does all this mean? Don’t Despair!

Here are a few steps that can help prevent stainless steel rust.

1. Use the proper tools.

When cleaning stainless steel products, use non-abrasive tools. Soft cloths and plastic scouring pads will not harm steel’s passive layer. Stainless steel pads also can be used but the scrubbing motion must be in the direction of the manufacturers’ polishing marks.

2. Clean with the polish lines.

Some stainless steel comes with visible polishing lines or “grain.” When visible lines are present, always scrub in a motion parallel to the lines. When the grain cannot be seen, play it safe and use a soft cloth or plastic scouring pad.

3. Use alkaline, alkaline chlorinated or non-chloride containing cleaners.

While many traditional cleaners are loaded with chlorides, the industry is providing an ever-increasing choice of non-chloride cleaners. If you are not sure of chloride content in the cleaner used, contact your cleaner supplier. If your present cleaner contains chlorides, ask your supplier if they have an alternative. Avoid cleaners containing quaternary salts; it also can attack stainless steel and cause pitting and rusting.

4. Treat your water.

Though this is not always practical, softening hard water can do much to reduce deposits. There are certain filters that can be installed to remove distasteful and corrosive elements. To insure proper water treatment, call a treatment specialist.

5. Keep your food equipment clean.

Use alkaline, alkaline chlorinated or non-chloride cleaners at recommended strength. Clean frequently to avoid build-up of hard, stubborn stains. If you boil water in stainless steel equipment, remember the single most likely cause of damage is chlorides in the water. Heating cleaners that contain chlorides have a similar effect.

6. Rinse, rinse, rinse.

If chlorinated cleaners are used, rinse and wipe equipment and supplies dry immediately. The sooner you wipe off standing water, especially when it contains cleaning agents, the better. After wiping equipment down, allow it to air dry; oxygen helps maintain the stainless steel’s passivity film.

7. Never use hydrochloric acid (muriatic acid) on stainless steel.

8. Regularly restore/passivate stainless steel.

Job	Cleaning Agent	Comments
Routine cleaning	Soap, ammonia, detergent, Medallion	Apply with soft cloth or sponge.
Fingerprints and smears	Arcal 20, Lac-O-Nu Ecoshine	Provides barrier film
Stubborn stains and discoloration	Cameo, Talc, Zud, First Impression	Rub in direction of polish lines.
Grease and fatty acids, blood, burnt-on foods	Easy-off, DeGrease It Oven Aid	Excellent removal on all finishes
Grease and Oil	Any good commercial detergent	Apply with soft cloth or sponge.
Restoration/Passivation	Benefit, Super Sheen	

Review

1. Stainless steels rust when passivity (film-shield) breaks down as a result of scrapes, scratches, deposits and chlorides.
2. Stainless steel rust starts with pits and cracks.
3. Use the proper tools. Do not use steel pads, wire brushes or scrapers to clean stainless steel.
4. Use non-chlorinated cleaners at recommended concentrations. Use only chloride free cleaners.
5. Soften your water. Use filters and softeners whenever possible.
6. Wipe off cleaning agent(s) and standing water as soon as possible. Prolonged contact causes eventual problems.

To learn more about chloride-stress corrosion and how to prevent it, contact the equipment manufacturer or cleaning materials supplier.

Developed by Packer Engineering, Naperville, Ill., an independent testing laboratory.

MAINTENANCE

⚠ WARNING The steamer and its parts are hot. Use care when operating, cleaning or servicing the steamer. The cooking compartment contains live steam and hot water. Stay clear when opening the door.

WATER TREATMENT SYSTEM

A water treatment system is recommended for the steamer. Refer to your supplier's manual for normal maintenance procedures for proper scale-free operation.

REMOVAL OF LIME SCALE DEPOSITS

The steamer should be delimed when symptoms occur (see Troubleshooting Chart). This is in accordance with the minimum preventive maintenance schedule required by the Warranty.

⚠ WARNING Read and follow the instructions on the deliming material package. Avoid contact with skin and eyes. Wear plastic or rubber gloves and safety goggles when handling. Wash thoroughly after handling. If deliming solution comes in contact with the skin or eyes, rinse thoroughly with clean water.

⚠ WARNING The steamer and its parts are hot. Use care when operating, cleaning or servicing the steamer. The cooking compartment contains live steam and hot water. Stay clear when opening the door.

Items Required (Not Provided):

- Deliming material, (1 bag of scale release Vulcan part number 854893-13)
- Plastic or rubber gloves
- Safety goggles or face shield
- 1-gallon container for mixing deliming solution
- Petrol-Gel Lubricant or equivalent food-grade grease for coating deliming port threads

NOTICE Deliming solution will cause the surface of aluminum measuring tools to tarnish or etch.

Professional Unit (Automatic Drain)

NOTICE This procedure is not intended to take the place of a water treatment program.

1. Turn power switch OFF. Wait 5 minutes for steam generator to completely drain and the drain valve to close.
2. Turn cooking timers to OFF.
3. Prepare deliming solution according to the instructions on the deliming material package. Follow all manufacturer's instructions.
4. Remove delime port cap on top of unit and insert funnel into delime port (Figure 4).

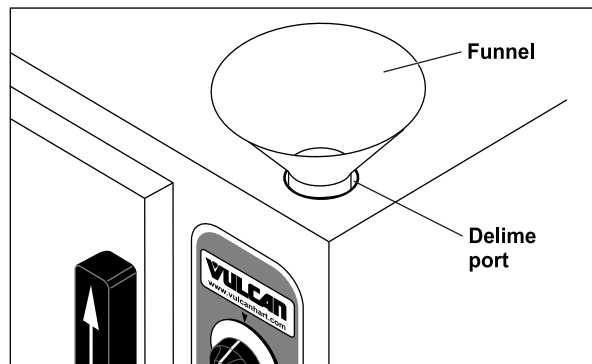


Figure 4

5. Pour deliming solution into the steam generator slowly to avoid spillage.
6. Remove funnel from delime port then rinse port with clean water.
7. Lightly coat delime port threads with Petrol-Gel then install delime port cap. Cap must be installed and tightened securely at all times.
8. Turn power switch ON.
9. When ready light comes on, turn cooking timer on for 3 minutes to delime the steam tubes and nozzles.
10. After 40 minutes, turn power switch OFF and allow steam generator to completely drain, 15 minutes.
11. Rinse steam generator with clean water:
 - A. Turn power switch ON. When ready light comes on, turn cooking timer on for 3 minutes to rinse the steam tubes and nozzles.
 - B. Turn power switch OFF and allow steam generator to completely drain.
 - C. Turn cooking timer to OFF.
 - D. Repeat steam generator rinse one time.
12. Clean exterior and interior using a mild solution of soap and water. Rinse with clean water then dry with a soft cloth.
13. Leave compartment door open when not in use.
14. The steamer is ready for operation or shutdown.

DOOR GASKET

If the door gasket is leaking due to a nick or cut, it must be replaced. Damage to the gasket sealing surface will cause steam leakage.

DRAINING STEAM GENERATOR

Drain the steam generator at the end of each day to flush out minerals and minimize scale build-up. The generator drains automatically for approximately 15 minutes after the power switch is turned.

COOKING HINTS

The steamer efficiently cooks vegetables and other foods for immediate serving. Steam cooking should be carefully time controlled. Keep hot food holding-time to a minimum to produce the most appetizing results. Prepare small batches. Cook only enough to start serving, then cook additional amounts to meet demand.

PREPARATION

Prepare vegetables, fruits, meats, seafood and poultry normally by cleaning, separating, cutting, removing stems, etc. Cook root vegetables in a perforated pan. Other vegetables may be cooked in a perforated pan unless juices are being saved. Liquids can be collected in a solid 12" x 20" pan placed under a perforated pan.

Perforated pans are used for frankfurters, wieners and similar items when juices do not need to be preserved. Solid pans are good for cooking puddings, rice, and hot breakfast cereals. Vegetables and fruits are cooked in solid pans in their own juice. Meats and poultry are cooked in solid pans to preserve their juice or retain broth.

Canned foods can be heated in their opened cans (cans placed in 12" x 20" solid pans) or the contents may be poured into solid pans. **DO NOT** place unopened cans in the steamer.

Frozen Food Items

Separate frozen foods into smaller pieces to allow more efficient cooking.

Use a pan cover for precooked frozen dishes that cannot be cooked in the covered containers in which they are packed if they require more than 15 minutes of cooking time. When a cover is used, approximately one-third additional cooking time is necessary.

Cooking time for frozen foods depends on the amount of defrosting required. If time permits, allow frozen foods to partially thaw overnight in a refrigerator. This will reduce their cooking time.

Acceptable Pan Sizes

The steamer accommodates combinations of full, half and one-third size pans, solid or perforated.

Model	Number of Pans Accommodated			
	Depth of Pan			
	1"	2½"	4"	6"
C24EA3	6	3	2	1
C24EA5	10	5	3	2

COOKING GUIDELINES

The steamer cooks vegetables, frankfurters, eggs in their shells, and certain other meats or food items at atmospheric pressure.

These cooking guidelines are suggestions only. You should experiment with your food products to determine the cooking times that will give you the best results. Variables which affect cooking time include size, weight, thickness of foods, temperature, density, previous condition of the foods (fresh, pre-blanching or frozen) and degree of doneness desired.

Cook times will vary and are affected by.

1. Starting temperature of frozen, refrigerated, and fresh foods.
2. Your location's altitude.
3. Type and size of pan used.
4. Covered or uncovered.

Caution: Pans covered with lids, foil, or plastic wrap will hold hot condensate water that can spill during unloading.

Notice: Loose foil and plastic wrap left in the cooking cavity will block the drain screen. This will cause the cavity to pressurize and the door seal to leak.

PRODUCTS TO BE COOKED IN SOLID PANS

PRODUCT	TIME (MINUTES)	WEIGHT PER PAN
Eggs, Scrambled	9 to 12	8 doz.
Rice, Long Grain (Cover with 4 cups water/lb.)	23 to 25	2 lbs.
Pasta (Place perforated pan inside solid pan, cover with cold water)		
Spaghetti – Regular/Vermicelli	10 to 15	
Macaroni - Shells/Elbows	13 to 18	
Noodles - 1/2" Wide	10 to 15	
Lasagna Noodles	13 to 18	
Frozen Casseroles, Lasagna	33 to 35	Full Pan
Meat Loaf, 3-5 Lb. Each	38 to 40	15 lbs.
Beef		
Ground Chuck	19 to 25	10 lbs.
Sliced as Purchased	33 to 40	10 lbs.
Shrimp, Frozen, 10 Shrimp per Lb.	4 to 5	4 lbs.
Beans		
Baked	8 to 9	10 lb. Can
Refried	8 to 9	10 lb. Can
Canned Vegetables	5 to 6	10 lb. Can
Prunes, Dried	11 to 15	
SEAFOOD		
Clams		
Frozen	9 to 12	3 doz.
Fresh, Cherrystone	4 to 6	3 doz.
King Crab, Frozen		
Claws	3 to 4	2½ lbs.
Legs	3 to 6	4½ lbs.
Lobster Tail, Frozen	5 to 6	10 lbs.
Lobster, Live, 10" - 12"	4 to 5	4 Per Pan
Salmon Fillets, Frozen, 8 ounce each	4 to 5	7½ lbs.
Scallops, Fresh	3 to 4	3 lbs.
Scrod Fillets, Fresh	3 to 5	4 lbs.

PRODUCTS TO BE COOKED IN PERFORATED PANS		
PRODUCT	TIME (MINUTES)	WEIGHT PER PAN
EGGS		
Hard Cooked	14 to 15	4 doz.
Soft Cooked	8 to 10	4 doz.
Soft Yoke for Caesar Salad	5 to 8	4 doz.
MEATS		
Chicken — Breasts, Legs, Thighs	19 to 20	15 lbs.
Turkey, Frozen		
Breasts (2)	86 to 90	6 to 7 lbs. Each
Cut Lengthwise	53 to 55	20 to 25 lbs.
Corned Beef	40 to 75	6 to 8 lbs.
Hot Dogs and Wieners	2 to 3	80 to 100 Count
VEGETABLES		
Asparagus Spears		
Frozen	10 to 12	3 lbs.
Fresh	4 to 5	5 lbs.
Beans		
Green 2" Cut, Frozen/Fresh	5 to 6	5 lbs.
Lima, Frozen	7 to 8	5 lbs.
Baby Lima, Frozen	4 to 5	5 lbs.
Brussel Sprouts, Frozen	5 to 6	5 lbs.
Broccoli		
Spears, Frozen	6 to 8	4 lbs.
Spears, Fresh	4 to 6	5 lbs.
Flowerettes, Frozen	4 to 6	5 lbs.
Cabbage, Fresh, 1/6 Cut	6 to 8	5 lbs.
Carrots		
Baby Whole, Frozen	6 to 8	7 lbs.
Crinkle Cut, Frozen	7 to 8	4 lbs.
Sliced, Fresh	9 to 11	9 lbs.
Cauliflower, Flowerettes		
Frozen	4 to 6	4 lbs.
Fresh	7 to 8	5 lbs.
Celery, 1" Diagonal Cut	5 to 7	5 lbs.

PRODUCTS TO BE COOKED IN PERFORATED PANS		
PRODUCT	TIME (MINUTES)	WEIGHT PER PAN
VEGETABLES		
Corn		
Yellow Whole Kernel, Frozen	3 to 5	5 lbs.
Cobbettes, Frozen	6 to 8	27 Ears
Corn-On-Cob, Fresh	16 to 18	80 Ears
	16 to 18	54 Ears
	10 to 12	18 Ears
Peas, Green	4 to 6	5 lbs.
Potatoes, Whole Russet	50 to 55	40 lbs.
Spinach		
Chopped, Frozen	15 to 17	6 lbs.
Defrosted	4 to 5	6 lbs.
Fresh Cut	2 to 3	2 lbs.
Squash, Acorn Halves	22 to 25	10 Halves
Zucchini, Slices	6 to 8	10 lbs.
Frozen Mixed Vegetables	6 to 7	5 lbs.
FRUIT		
Fruit, Blanch for Peeling		
Grapefruit, Oranges	2 to 3	
Pineapple, Whole for Cutting	2 to 4	

TROUBLESHOOTING

SYMPTOMS	POSSIBLE CAUSES	REMEDY
Steamer not steaming	No main power source Power switch in OFF position Water not being supplied to steamer	Check the power source. Set power switch to the ON position. Refer to symptom WATER NOT BEING SUPPLIED TO STEAMER.
Steamer not heating/steaming properly	Excessive lime build up in the steamer	Descale the steamer (see REMOVAL OF LIME SCALE DEPOSITS).
Door leaks	Damaged door gasket Improper drain Plugged drain High water pressure Damage to gasket sealing surface	Check door gasket for damage. If adjustment is needed, contact your Authorized Vulcan Servicer. Water pressure must between 20 PSIG flowing and 60 PSIG static.
Water accumulates in compartment	Plugged drain or screen Unit not leveled properly Drain clogged	Clear compartment cavity screen. If symptom persists, contact your Authorized Vulcan Servicer. See leveling instructions in the installation section of this manual. Unclog drain.
Water not being supplied to steamer	Water supply valve is off Water pressure low Water filter is plugged Domestic washing machine hoses with flow safe check valves used. Valve inlet screen clogged	Turn valve on. Check water supply pressure. Refer to water filter manual. If symptom persists, contact your Authorized Vulcan Servicer. Contact your Authorized Vulcan Servicer.

SERVICE AND PARTS INFORMATION

To obtain service and parts information concerning this model, contact the Authorized Vulcan Servicer in your area. Refer to our website, www.vulcanequipment.com for a complete listing of Authorized Service and Parts depots.

When calling for service, the following information (located on your machine data plate) must be available:

Model Number

Serial Number

ML Number

Voltage

NOTES



FREE Vulcan & Wolf New Equipment Checkout

A PARTNERSHIP WITH HOBART & AUTHORIZED WARRANTY SERVICE PROVIDERS

To ensure new Vulcan and Wolf equipment has been properly installed and is operating correctly, an authorized service technician will:

- Verify that the proper gas type (LP or natural) has been connected to the equipment
- Verify that the proper voltage and electrical connections have been made
- Verify that proper pressure regulators have been installed and adjusted, when applicable
- Verify that gas supply size and pressure are adequate
- Verify that proper water, steam, drain supplies and connections have been made
- Check to ensure the ventilation system is operating correctly
- Check pilot and burner adjustments
- Verify thermostat operation, including calibration, when required
- Check functional parts of operation, for example: doors, lids, valves, etc.
- Advise on preventive maintenance procedures
- Equipment must be completely installed and ready to operate before the equipment checkout request is made

To schedule your FREE CHECKOUT, please contact your Sales Representative!

PROTECT YOUR INVESTMENT!



*Enhance Performance and Efficiency with OEM Parts
for all your Vulcan, Wolf & Berkel Equipment.*

*Generic parts are not suitable for your equipment. Protect your investment with genuine
Original Equipment Manufactured parts.*

WHY USE OEM PARTS?

RELIABILITY

Designed specifically for your equipment to provide maximum performance and the most uptime.

AVAILABILITY

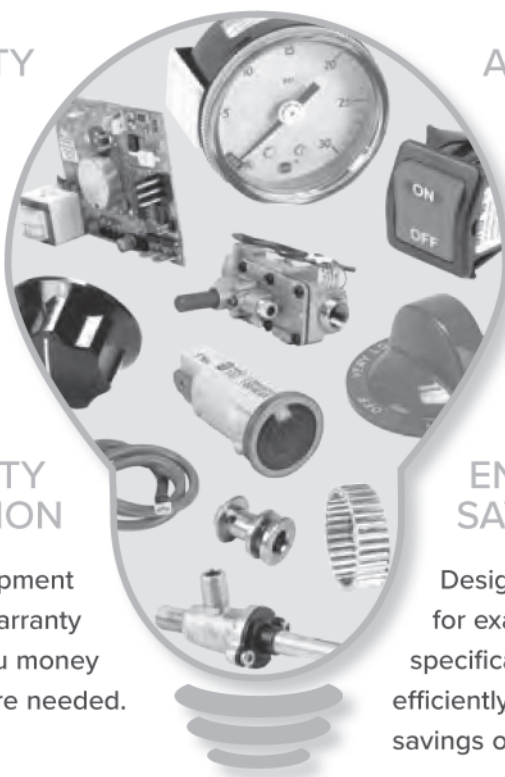
Currently available from hundreds of Hobart and Authorized Parts and Service Agencies.

WARRANTY PROTECTION

Keeps your equipment under product warranty and saves you money when repairs are needed.

ENERGY SAVINGS

Designed and tested for exact equipment specifications to work more efficiently, resulting in energy savings over time.



Locate an Authorized Parts or Service Center
www.vulcanequipment.com/service

Order Parts Online
www.hobartparts.com | 877.333.1863

PROTÉGEZ VOTRE INVESTISSEMENT!



Améliorez les performances et l'efficacité avec des pièces FEO pour tous vos équipements Vulcan, Wolf et Berkel.

Les pièces génériques ne conviennent pas à votre équipement. Protégez votre investissement avec des pièces du fabricant d'équipement d'origine.

POURQUOI UTILISER DES PIÈCES FEO?

DISPONIBILITÉ

Actuellement disponible auprès de certaines agences de réparation et de pièces détachées Hobart et agréées.

ÉCONOMIES
D'ÉNERGIE

Conçu et testé pour des spécifications d'équipement exactes afin de fonctionner plus efficacement, ce qui entraîne des économies d'énergie au fil du temps.



FIABILITÉ

Conçu spécifiquement pour votre équipement afin de fournir des performances maximales et une disponibilité maximale.

PROTECTION
DE LA GARANTIE

Assure votre équipement sous la garantie et vous permet d'économiser de l'argent lorsque des réparations sont nécessaires.

Localisez un centre de service ou de pièces autorisé www.vulcanequipment.com/service

Commander des pièces en ligne www.hobartparts.com | 877.333.1863

Pour planifier votre CONTRÔLE GRATUIT, veuillez contacter votre représentant commercial!

- Vérifier que le type de gaz approprié (propane ou naturel) a été connecté à l'équipement
 - Vérifier que des raccordements électriques appropriés ont été effectués.
 - Vérifier que les régulateurs de pression appropriés ont été installés et ajustés, le cas échéant
 - Vérifier que la taille et la pression de l'alimentation en gaz sont adéquates
 - Vérifier que l'eau, la vapeur, les raccordements de vidange appropriés ont été effectués
 - Vérifier que le système de ventilation fonctionne correctement
 - Vérifier les réglages de la veilleuse et du brûleur
 - Vérifier le fonctionnement du thermostat, y compris l'étalonnage, si nécessaire
 - Vérifier les parties fonctionnelles de l'opération, par exemple : portes, couvercles, vannes, etc.
 - Conseiller sur les procédures de maintenance préventive
 - L'équipement doit être complètement installé et prêt à fonctionner avant que la demande de vérification de l'équipement ne soit faite
- Pour assurer que le nouvel équipement Vulcan et Wolf a été correctement installé et fonctionne correctement, un technicien de service d'entretien autorisé effectuera les étapes suivantes :

Contrôle GRATUIT du nouvel équipement Vulcan et Wolf UN PARTENARIAT AVEC HOBART ET FOURNISSEURS DE SERVICES AUTORISÉS SOUS GARANTIE



NOTES

RENSEIGNEMENTS SUR L'ENTRETIEN ET LES PIÈCES

Pour obtenir des renseignements sur l'entretien et les pièces relatifs à ce modèle, communiquez avec le préposé à l'entretien Vulcan agréé de votre région. Reportez-vous à notre site Web, www.vulcanequipement.com pour obtenir une liste complète des services autorisés et des dépôts de pièces.

Lorsque vous appelez pour un service, les renseignements suivants (qui se trouvent sur la plaque signalétique de votre machine) doivent être disponibles :

Numéro de modèle

Numéro de série

Numéro ML

Tension

DÉPANNAGE

SYMPTÔMES	CAUSES POSSIBLES	MESURES CORRECTIVES
<p>Le cuisinier à vapeur ne cuit pas à la vapeur</p> <p>Le cuisinier à vapeur ne chauffe/cuit pas correctement à la vapeur</p>	<p>Aucune source d'alimentation principale.</p> <p>Interrupteur d'alimentation en position d'ARRÊT</p> <p>Eau non distribuée au cuisinier à la vapeur</p>	<p>Vérifiez la source d'alimentation.</p> <p>Appuyez sur l'interrupteur d'alimentation pour le mettre en position de MARCHÉ.</p> <p>Reportez-vous au symptôme EAU NON DISTRIBUÉE AU CUISEUR À VAPEUR.</p>
<p>Le cuisinier à vapeur accumule dans le compartiment.</p>	<p>Joint de porte endommagé</p> <p>Drain incorrect / Drain bouché</p> <p>Pression d'eau élevée</p> <p>Dommages à la surface d'étanchéité du joint</p>	<p>Vérifiez le joint d'étanchéité de la porte pour détecter des dommages éventuels. Si un réglage est nécessaire, communiquez avec le préposé à l'entretien Vulcan agréé.</p> <p>La pression de l'eau doit être comprise entre 20 PSIG et 60 PSIG statique.</p>
<p>Fuites au niveau de la porte</p>	<p>Evacuation ou filtre obstrué</p> <p>L'appareil n'est pas de niveau.</p>	<p>Nettoyez le filtre. Si le symptôme persiste, communiquez avec le préposé à l'entretien Vulcan agréé.</p> <p>Reportez-vous aux instructions de mise à niveau dans la section relative à l'installation du présent manuel.</p> <p>Débouchez le drain.</p>
<p>Eau non distribuée au cuisinier à la vapeur</p>	<p>Le robinet d'alimentation en eau est fermé.</p> <p>Pression d'eau insuffisante</p> <p>Le filtre à eau est bouché.</p> <p>Conduits de lavuse domestique avec clapets antiretour à débit sûr.</p> <p>Le filtre du robinet d'arrivée d'eau est bouché</p>	<p>Ouvrez le robinet.</p> <p>Vérifiez la pression d'arrivée d'eau.</p> <p>Reportez-vous au manuel du filtre à eau. Si le symptôme persiste, communiquez avec le préposé à l'entretien Vulcan agréé.</p> <p>Communiquez avec le préposé à l'entretien Vulcan agréé.</p>

PRODUITS À CUIRE DANS DES BACS PERFORÉS		
PRODUIT	TEMPS (MINUTES)	POIDS PAR BAC
LÉGUMES		
Mais	3 à 5	5 lb
Graine entière jaune congelée	3 à 5	5 lb
Morceaux d'épis congelés	6 à 8	27 épis
Épis de maïs, frais	16 à 18	80 épis
	16 à 18	54 épis
	10 à 12	18 épis
Pois verts	4 à 6	5 lb
Pommes de terre, reinette entière	50 à 55	40 lb
Épinards	15 à 17	6 lb
Hachés, congelés	4 à 5	6 lb
Décongelés	2 à 3	2 lb
Frais coupés	22 à 25	10 moitiés
Demi-courges, demi-glands	6 à 8	10 lb
Courgette Zucchini en tranches	6 à 7	5 lb
FRUITS		
Fruits, blanchir pour épilucher	2 à 3	
Pamplemousses, oranges	2 à 4	
Ananas, entier pour découper		

PRODUITS À CUIRE DANS DES BACS PERFORÉS		
PRODUIT	TEMPS (MINUTES)	POIDS PAR BAC
ŒUFS		
Œuf dur	14 à 15	4 douzaines
Œuf à la coque	8 à 10	4 douzaines
Texture souple pour salade César	5 à 8	4 douzaines
VIANDES		
Poulet – poitrines, jambes, cuisses	19 à 20	15 lb
Dinde congelée	86 à 90	6 à 7 lb chaque
Poitrines (2)	53 à 55	20 à 25 lb
Coupe en longneur	40 à 75	6 à 8 lb
Hot-dogs et saucisses	2 à 3	80 à 100 moules
LÉGUMES		
Turion d'asperge	10 à 12	3 lb
Frais	4 à 5	5 lb
Haricots	5 à 6	5 lb
verts, coupe de 2 po, congelés/frais	5 à 6	5 lb
Lima congelé	7 à 8	5 lb
Mini-Lima congelé	4 à 5	5 lb
Choux de Bruxelles congelés		
Brocoli	6 à 8	4 lb
Turons congelés	4 à 6	5 lb
Turons frais	4 à 6	5 lb
Bouquets congelés	4 à 6	5 lb
Chou frais, coupe de 1/6		
Carottes	6 à 8	7 lb
Mini-carottes entières congelées	6 à 8	7 lb
Coupe ondule congelée	7 à 8	4 lb
Tranchées, fraîches	9 à 11	9 lb
Choux-fleurs, bouquets		
Congelés	4 à 6	4 lb
Frais	7 à 8	5 lb
Celeri, coupe diagonale de 1 po		

PRODUITS À CUIRE DANS DES BACS NON PERFORÉS

PRODUIT	TEMPS (MINUTES)	POIDS PAR BAC
Ceufs brouillés	9 à 12	8 douzaines
Riz long grain (couvrez avec 4 tasses d'eau/lb.)	23 à 25	2 lb
Pâtes alimentaires (placez le récipient perforé à l'intérieur du récipient non perforé, puis couvrez avec de l'eau froide)	10 à 15	
Spaghetti – Regular/Vermicelli	13 à 18	
Macaroni – Shells/Elbows	10 à 15	
Nouilles Lasagnes	13 à 18	
Cocottes gelées, lasagnes	33 à 35	Récipient entier
Pain de viande, 3-5 lb chaque	38 à 40	15 lb
Viande de bœuf	19 à 25	10 lb
Viande de bœuf hachée	33 à 40	10 lb
Crevettes congelées, 10 crevettes par lb	4 à 5	4 lb
Haricots	8 à 9	
Cuit au four	8 à 9	Boîte de conserve de 10 lb
Haricots frits	8 à 9	Boîte de conserve de 10 lb
Conserve de légumes	5 à 6	Boîte de conserve de 10 lb
Pruneaux séchés	11 à 15	
FRUITS DE MER		
Myes	9 à 12	3 douzaines.
Congelées	4 à 6	3 douzaines.
Palourde américaine fraîche	3 à 4	2 1/2 lb
Pinces	3 à 6	4 1/2 lb
Pattes	5 à 6	10 lb
Queue de homard congelée	4 à 5	4 par récipient
Homard vivant de 10 po à 12 po	4 à 5	
Filets de saumon congelés, 8 onces chacun	3 à 4	7 1/2 lb
Pêtoncles frais	3 à 5	4 lb
Filets d'églefin frais		

CONSEILS DE CUISSON

Tailles de plateau acceptables

Le cuisinier à vapeur prend en charge les combinaisons de plateaux entiers, de demi-plateaux et de tiers de plateaux, solides ou perforés.

Modèle	Nombre de plateaux pris en charge			Profondeur de plateaux		
C24EA3	1 po	2 1/2 po	4 po	6 po	1	
C24EA5	10	5	3	2		

LIGNES DIRECTRICES RELATIVES À LA CUISSON

Le cuisinier à vapeur cuit des légumes, des saucisses de Francfort, des œufs dans leurs coquilles et certains autres viandes ou produits alimentaires à la pression atmosphérique.

Ces conseils relatifs à la cuisson ne sont que des suggestions. Vous devez tester vos produits alimentaires afin de déterminer le temps de cuisson qui vous donnera les meilleurs résultats. Les variables les dimensions, le poids, l'épaisseur des aliments, la température, la densité, l'état antérieur des aliments (frais, préblanchis ou congelés) et le degré de cuisson voulu.

Les temps de cuisson varient et sont affectés par :

1. Température de départ des aliments surgelés, réfrigérés et frais.
2. L'attitude de votre emplacement.
3. Type et taille de plat utilisé.
4. Plat couvert ou non.

Attention : Les plats couverts de couvercles, de papier d'aluminium ou de pellicule de plastique retiendront l'eau de condensation chaude qui peut se renverser pendant le déchargement.

Avis : Le papier d'aluminium et la pellicule plastique laissés dans la cavité de cuisson bloqueront la crépine de vidange. Cela entraînera une mise sous pression de la cavité et une fuite du joint de la porte.

Le cuisinier à vapeur cuit efficacement les légumes et autres aliments à servir immédiatement. La durée de la cuisson à vapeur doit être scrupuleusement contrôlée. Gardez le temps de maintien de la chaleur des aliments au minimum, pour obtenir des résultats les plus appétissants. Préparez par petites quantités. Préparez juste assez pour commencer à servir, puis préparez des quantités supplémentaires pour répondre à la demande.

PRÉPARATION

Préparez normalement les légumes, les fruits, les viandes, les fruits de mer et les volailles en nettoyant, en séparant, en découpant et en retirant les tiges, etc. Préparez les légumes-racines dans un plateau perforé. Vous pouvez faire cuire d'autres légumes dans un plateau perforé si vous voulez en récupérer le jus. Les liquides peuvent être collectés dans un plateau solide de 12 po x 20 po, placé sous un plateau perforé.

Les plateaux perforés sont utilisés pour les saucisses de Francfort, les saucisses et les aliments similaires, lorsque le jus n'a pas besoin d'être préservé. Les plateaux solides sont appropriés pour la cuisson des puddings, du riz et des céréales chaudes pour le petit-déjeuner. Les légumes et les fruits cuisent dans des plateaux solides, dans leur propre jus. Les viandes et les volailles cuisent dans des plateaux solides pour préserver leur jus ou pour recueillir le bouillon.

Les aliments en conserve peuvent être chauffés dans leurs boîtes ouvertes (boîtes placées dans les plateaux solides de 12 po x 20 po) ou le contenu peut être versé dans les plateaux solides. NE placez PAS des boîtes fermées dans le cuisinier à vapeur.

Aliments congelés

Séparez les aliments congelés en plus petits morceaux pour obtenir une cuisson plus efficace.

Utilisez un couvercle du plateau pour les plats surgelés précuits qui ne peuvent pas être cuits dans les contenants couverts dans lesquels ils sont emballés, s'ils nécessitent plus de 15 minutes de temps de cuisson. Lorsqu'un couvercle est utilisé, environ un tiers de temps de cuisson supplémentaire est nécessaire.

Le temps de cuisson des aliments congelés dépend de la quantité de dégivrage nécessaire. Si le temps le permet, laissez les aliments congelés se dégivrer partiellement toute la nuit dans un réfrigérateur. Cela permet de réduire leur temps de cuisson.

JOINT D'ÉTANCHÉITÉ DE LA PORTE

Si le joint d'étanchéité de la porte présente une fuite due à une entaille ou coupure, il doit être remplacé. Les dommages à la surface d'étanchéité du joint causent des fuites de vapeur.

VIDANGE DU GÉNÉRATEUR

Vidangez le générateur de vapeur à la fin de chaque jour pour éliminer les minéraux et minimiser l'accumulation de tartre. Le générateur se vide automatiquement pendant environ 15 minutes après que l'interrupteur d'alimentation est mis sur arrêt.

5. Versez la solution de détarrage dans le générateur de vapeur lentement pour éviter les déversements.
6. Retirez l'entonnoir du port de détarrage, rincez le port avec de l'eau propre.
7. Enduisez légèrement les fils de port avec du lubrifiant de détarrage Petrol-Gel, puis remplacez le bouchon de port. Le bouchon doit être installé et serré solidement en tout temps.
8. Appuyez sur l'interrupteur d'alimentation pour le mettre en position MARCHÉ.
9. Lorsque le voyant lumineux s'allume, tournez la minuterie de cuisson sur 3 minutes pour détarrer les tubes et les buses à vapeur.
10. Après une période de 40 minutes, appuyez sur l'interrupteur d'alimentation pour le mettre sur ARRÊT et laissez le générateur se vider complètement, environ 15 minutes.
11. Rincez le générateur de vapeur avec de l'eau propre :

 - A. Appuyez sur l'interrupteur d'alimentation pour le mettre en position MARCHÉ. Lorsque le voyant lumineux s'allume, tournez la minuterie de cuisson sur 3 minutes pour rincer les tubes et les buses à vapeur.
 - B. Appuyez sur l'interrupteur d'alimentation pour le mettre sur ARRÊT et laissez le générateur de vapeur se vider complètement.
 - C. Tournez la minuterie de cuisson vers OFF (arrêt).
 - D. Répétez le rinçage du générateur de vapeur une autre fois.

12. Nettoyez l'extérieur et l'intérieur en utilisant une solution douce d'eau et de savon. Rincez à l'eau propre et séchez avec un chiffon doux.
13. Laissez la porte du compartiment ouverte lorsque vous ne l'utilisez pas.
14. Le cuisEUR à vapeur est maintenant prêt à l'emploi.

ENTRETIEN

Éléments requis (non fournis) :

- Matériel de détarrage, (1 sac de détarrage Vulcan, référence 854893-13)

- Gants en plastique ou en caoutchouc

- Lunettes de sécurité ou masque protecteur

- Récipient d'un gallon pour mélanger la

- solution de détarrage

- Lubrifiant Petro-Gel ou de la graisse équivalente de qualité alimentaire pour enduire et détarrer le filetage des ports.

AVIS La solution de détarrage peut

entraîner le ternissement ou la corrosion de la surface des outils de mesure en aluminium.

Appareil professionnel (vidange automatique)

AVIS Cette procédure ne vise pas à

prendre la place d'un programme de traitement de l'eau.

1. Appuyez sur l'interrupteur d'alimentation pour le mettre en position ARRÊT. Attendez 5 minutes pour que le générateur de vapeur puisse se vider complètement et la vanne de vidange se ferme.
2. Tournez les minuteries de cuisson vers OFF (arrêt).
3. Préparez la solution de détarrage selon les instructions sur l'emballage du matériel de détarrage. Suivez les instructions du fabricant.
4. Retirez le capuchon du port de détarrage sur le dessus de l'appareil et insérez l'entonnoir dans le port de détarrage (figure 4).

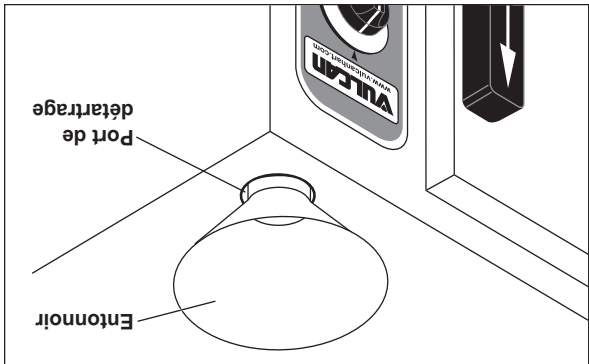


Figure 4

AVERTISSEMENT Le cuisEUR à vapeur et ses pièces sont chauds. Faites attention lorsque vous utilisez, nettoyez ou entreenez le cuisEUR à vapeur. Le compartiment de cuisson contient de la vapeur vive et de l'eau chaude. Éloignez-vous lorsque vous ouvrez la porte.

SYSTÈME DE TRAITEMENT DE L'EAU

Un système de traitement d'eau est recommandé pour le cuisEUR à vapeur. Reportez-vous au manuel de votre fournisseur pour les procédures normales d'entretien afin d'assurer un fonctionnement correct sans tartre.

RETRAIT DES DÉPÔTS CALCAIRES

Le cuisEUR à vapeur doit être détarré lorsque les symptômes apparaissent (voir Tableau de dépannage). Cette opération est conforme au programme d'entretien préventif minimal requis par la garantie.

AVERTISSEMENT Lisez et suivez les instructions sur l'emballage du matériel de déchauffage. Évitez tout contact avec la peau et les yeux. Portez des gants en plastique ou en caoutchouc et des lunettes de protection lors de la manipulation. Lavez-vous soigneusement les mains après la manipulation. Si la solution de détarrage entre en contact avec la peau ou les yeux, rincez-les abondamment avec de l'eau propre.

AVERTISSEMENT Le cuisEUR à vapeur et ses pièces sont chauds. Faites attention lorsque vous utilisez, nettoyez ou entreenez le cuisEUR à vapeur. Le compartiment de cuisson contient de la vapeur vive et de l'eau chaude. Éloignez-vous lorsque vous ouvrez la porte.

ENTRETIEN ET NETTOYAGE DE L'ÉQUIPEMENT EN ACIER INOXYDABLE

(Fourni avec l'autorisation de NAFEM. Pour de plus amples renseignements, visitez leur site Web à www.nafem.org)

Contrairement à la croyance populaire, les aciers inoxydables

SONT sujets à la rouille.

La corrosion des métaux est répandue. Elle se reconnaît rapidement sur le fer et l'acier sous forme de rouille disgracieuse jaune ou orange. De tels métaux sont dits « actifs » parce qu'ils se corrodent activement dans un environnement naturel, lorsque leurs atomes combinent avec l'oxygène pour former la rouille.

Les aciers inoxydables sont des métaux « passifs », car ils contiennent d'autres métaux tels que le chrome, le nickel et le manganèse, qui stabilisent les atomes. Les aciers inoxydables de série 400 sont appelés ferritiques, contiennent du chrome et sont magnétiques; les aciers inoxydables de série 300 sont appelés austénitiques et contiennent du chrome et du nickel et les aciers inoxydables de série 200 sont également austénitiques et contiennent du manganèse, de l'azote et du carbone. Les aciers inoxydables de type austénitique ne sont pas magnétiques et fournissent généralement une plus grande résistance à la corrosion que ceux de type ferritique.

Avec 12 à 30 % de chrome, un film passif invisible recouvre la surface de l'acier agissant en tant que bouclier contre la corrosion. Tant que le film est intact et n'est pas cassé ou contaminé, le métal est passif et inoxydable. Si le film passif de l'acier inoxydable a été cassé, l'équipement commence à se corroder. Dans le pire des cas, il rouille.

Ennemis de l'acier inoxydable

Il y a trois éléments fondamentaux qui peuvent briser la couche passive de l'acier inoxydable et faciliter la corrosion.

1. Abrasion mécanique
2. Dépôts et eau
3. Chlorures

L'abrasion mécanique fait référence à toutes ces choses qui pourraient rayer la surface de l'acier comme les plaquettes en acier, les brosses métalliques et les racloirs.

L'eau sort du robinet avec divers degrés de dureté. Selon la région du pays où vous vivez, vous pouvez avoir de l'eau dure ou de l'eau douce. L'eau dure peut laisser des taches et lorsqu'elles sont chauffées, laissent des dépôts qui peuvent briser la couche passive et rouiller l'acier inoxydable, s'ils ne sont pas éliminés. D'autres dépôts qui résultent de la préparation de la nourriture et de l'entretien doivent être correctement éliminés.

Les chlorures sont présents presque partout dans le monde. Ils sont dans l'eau, dans la nourriture et dans le sel de table. L'une des sources de chlorure le plus dangereux provient des agents nettoyeurs domestiques et industriels.

Voici quelques conseils qui peuvent aider à empêcher la rouille de l'acier inoxydable.

1. Utilisez des outils appropriés.

Lorsque vous nettoyez des produits en acier inoxydable, utilisez des outils non abrasifs. Les chiffons doux et les tampons à récurer sont utilisés en plastique ne nuisent pas à la couche passive de l'acier. Les plaquettes en acier inoxydable peuvent également être utilisées, mais le mouvement de récurage doit se produire dans le sens des marques de polissage des fabricants.

2. Nettoyez conformément aux lignes de polissage.

Certains aciers inoxydables sont livrés avec des lignes ou des grains de polissage visibles. Lorsque les lignes visibles sont présentes, frottez toujours dans un mouvement parallèle aux lignes. Lorsque les grains ne sont pas visibles, privilégiez la sécurité et utilisez un chiffon doux un tampon à récurer en plastique.

3. Utilisez des agents nettoyeurs alcalins, alcalins chlorés ou sans chlorures.

Alors que de nombreux agents nettoyeurs traditionnels sont chargés de chlorures, l'industrie fournit un choix grandissant d'agents nettoyeurs sans chlorure. Si vous n'êtes pas sûr du contenu en chlorures de l'agent nettoyeur utilisé, communiquez avec votre fournisseur d'agent nettoyeur. Si votre agent nettoyeur actuel contient des chlorures, demandez à votre fournisseur s'il a un produit alternatif. Évitez les agents nettoyeurs contenant des sels quaternaires; ils peuvent aussi attaquer l'acier inoxydable et entraîner l'apparition des piqûres et de la corrosion.

Révision

1. Les aciers inoxydables rouillent lorsque la passivité (film de protection) se décompose à la suite d'éraflures, de rayures, de dépôts et de présence de chlorures.

2. La rouille de l'acier inoxydable commence par des piqûres et des fissures.

3. Utilisez des outils appropriés. N'utilisez pas de plaquettes en acier, de brosses métalliques ou de racloirs pour nettoyer l'acier inoxydable.

4. Utilisez des agents nettoyeurs non chlorés aux concentrations recommandées. N'utilisez que des nettoyeurs sans chlorure.

5. Adoucissez votre eau. Utilisez des filtres et des adoucisseurs au besoin.

6. Essayez les agents nettoyeurs et l'eau stagnante dès que possible. Un contact prolongé peut causer des problèmes.

Pour obtenir plus de renseignements sur la corrosion sous contrainte due aux chlorures et la façon d'éviter ce problème, communiquez avec le fabricant de l'équipement ou le fournisseur du matériel de nettoyage. Développé par Packter Engineering, Naperville, Ill., un laboratoire d'essai indépendant.

Tâche	Agent de nettoyage	Commentaires
Nettoyage de rouille	Savon, ammoniac, détergent, médailillon	Appliquez à l'aide d'un chiffon doux ou d'une éponge
Traces de doigt et tâches	Arcal 20, Lac-O-Nu Ecoshine	Fournit un film barrière
Taches tenaces et décoloration	Cameo, Talc, Zud, First Impression	Frottez dans le sens des lignes de polissage
Grasse et acides d'aliments brûlés	Easy-off, Degrease	Excellente élimination des souillures sur toutes les finitions
Grasse, huile	Tout bon détergent commercial	Appliquez à l'aide d'un chiffon doux ou d'une éponge
Restauration/ passivation	Benefit, Super Sheen	

8. Restarez ou passiviez régulièrement l'acier inoxydable.

7. N'utilisez jamais de l'acide chlorhydrique (acide murtatique) sur l'acier inoxydable.

Si des agents nettoyeurs chlorés sont utilisés, rincez et essayez immédiatement l'équipement et les fournitures. Plus tôt vous essayez l'eau stagnante, surtout lorsqu'elle contient des agents de nettoyage, mieux ça vaut. Après avoir essayé l'équipement, laissez-le sécher à l'air; l'oxygène contribue à maintenir le film de passivité de l'acier inoxydable.

6. Rincez, rincez, rincez.

Si des agents nettoyeurs chlorés sont utilisés, rincez et essayez immédiatement l'équipement et les fournitures. Plus tôt vous essayez l'eau stagnante, surtout lorsqu'elle contient des agents de nettoyage, mieux ça vaut. Après avoir essayé l'équipement, laissez-le sécher à l'air; l'oxygène contribue à maintenir le film de passivité de l'acier inoxydable.

5. Maintenez votre équipement alimentaire dans un état propre. Utilisez des agents nettoyeurs alcalins, alcalins chlorés ou sans chlorures à la quantité recommandée. Nettoyez fréquemment pour éviter l'accumulation de taches tenaces fermes. Si vous faites bouillir de l'eau dans un équipement en acier inoxydable, n'oubliez pas de chauffer l'eau dans un équipement en acier inoxydable, laissez-le sécher à l'air; l'oxygène contribue à maintenir le film de passivité de l'acier inoxydable.

4. Traitez votre eau.

Même si ce n'est pas toujours pratique, l'adoucissement d'une eau dure peut contribuer de façon significative à réduire les dépôts. Certains filtres peuvent être installés pour retirer les éléments déplaisants et corrosifs. Pour assurer un bon traitement de l'eau, communiquez avec un spécialiste du traitement.

NETTOYAGE

COMPARTIMENT

Lavez l'intérieur du compartiment à l'aide d'une solution d'eau tiède et de détergent sans chlorure. Rincez avec de l'eau chaude.

Nettoyez soigneusement les surfaces exposées (les côtés, la partie avant, la porte et la partie supérieure) à l'aide d'un chiffon humide et polissez chaque jour avec un chiffon propre. Pour éliminer toute décoloration, utilisez un agent nettoyant non abrasif.

JOINT D'ÉTANCHÉITÉ DE LA PORTE

Nettoyez la surface d'étanchéité du joint de la porte du compartiment pour retirer les acides alimentaires afin d'obtenir une durée de vie maximale du joint d'étanchéité. N'utilisez aucun solvant ou instrument tranchant. Lavez à l'aide d'un chiffon imbibé d'une solution de détergent doux et d'eau tiède. Rincez à l'aide d'un chiffon propre imbibé d'eau tiède pour enlever toutes les traces de détergent.

Essayez avec un chiffon propre. N'appliquez jamais les huiles alimentaires ou les lubrifiants à base de pétrole directement sur le joint d'étanchéité de la porte. Les solvants et les lubrifiants à base de pétrole réduisent la durée de vie du joint d'étanchéité.

LAISSER LA PORTE DU COMPARTIMENT OUVERTE

Laissez la porte du compartiment légèrement ouverte lorsque le cuisinier vapeur n'est pas en cours d'utilisation. Lorsque le compartiment n'est pas utilisé, ne verrouillez jamais la porte et n'appliquez jamais une pression sur le joint d'étanchéité de la porte. Si vous laissez le joint sous pression, vous risquez de provoquer une déformation permanente et de réduire la durée de vie du joint.

AVERTISSEMENT Coupez l'alimentation électrique au cuisinier à vapeur et suivez les procédures de verrouillage/d'étiquetage avant de le nettoyer.



VIDANGE DU COMPARTIMENT DE CUISSON

Assurez le drainage sans obstruction du tuyau de vidange du compartiment. Vérifiez la présence d'obstruction quotidiennement dans les tuyaux de vidange de compartiment. Retirez quotidiennement toutes les particules ou débris de la crépine (ou plus souvent si nécessaire).

Après le cuisson des aliments gras ou poissons et fruits de mer, fermez les portes et faites fonctionner chaque compartiment pendant 25 à 30 minutes pour rincer et vidanger toute graisse résiduelle. Préparez une solution d'eau tiède avec du détergent sans chlorure et versez 1,9 litre (1/2 gallon) de cette solution dans le compartiment de vidange. Rincez en versant 1,9 litre (1/2 gallon) d'eau chaude dans le compartiment de vidange.

PURGE DU GÉNÉRATEUR

Pour éviter tout dysfonctionnement des commandes et toute obstruction, il est essentiel de vidanger le générateur chaque jour. Cela éliminera les minéraux accumulés de l'eau d'alimentation et aidera également à prévenir l'accumulation de tartre interne qui pourrait interférer avec le bon fonctionnement du générateur. La garantie sera annulée si le générateur n'est pas purgé quotidiennement. La présence de minéraux en suspension est indiquée par un aspect trouble ou laiteux dans la première partie de l'eau vidangée.

AVERTISSEMENT L'eau vidangée est chaude et sous pression. Faites preuve de prudence lors du nettoyage ou de l'entretien du générateur.

Après avoir utilisé le générateur, éteignez l'appareil au moyen de l'interrupteur d'alimentation situé sur le compartiment de cuisson pour vidanger le générateur. Le générateur se videra pendant environ 15 minutes, et toute accumulation de sédiments, de tartre et de calcaire est éliminée du générateur.

CUISSON À LA VAPEUR

Lorsque le compartiment est préchauffé, placez les plats d'aliments dans le compartiment de cuisson et fermez la porte.

Réglez la minuterie à la durée de cuisson désirée. À ce stade, le cycle de cuisson commence. L'ouverture de la porte interrompt le cycle de cuisson. Pour reprendre la cuisson, fermez la porte.

L'avertisseur retentit à la fin du cycle de cuisson

Mettez la minuterie en position d'arrêt pour mettre au silence l'avertisseur. Ouvrez la porte et retirez les aliments cuits.

Si la minuterie est réglée sur une vapeur constante, le cuisinier à vapeur émet de la vapeur en continu et l'avertisseur ne retentit pas.

ARRÊT

Appuyez sur l'interrupteur d'alimentation principal pour le mettre en position d'arrêt.

1. Appuyez sur l'interrupteur d'alimentation pour le mettre en position d'arrêt.

2. Nettoyez le compartiment et le joint de la porte.

3. Laissez ouvert la porte du compartiment.

AVIS

L'alimentation électrique du cuisinier à vapeur doit rester allumée pendant 15 minutes après que l'interrupteur d'alimentation principal est réglé sur la position d'arrêt. Cela permettra au cycle de vidange de se terminer.

ARRÊT POUR UNE PÉRIODE PROLONGÉE

Pour arrêter la machine pour une période prolongée :

1. Appuyez sur l'interrupteur d'alimentation pour le mettre en position d'arrêt.

2. Fermez le robinet d'eau et coupez l'alimentation électrique principale.

3. Nettoyez le compartiment et le joint de la porte.

4. Laissez ouvert la porte du compartiment.

5. Débranchez le cordon d'alimentation.

FONCTIONNEMENT

Interrupteur d'alimentation principal

MARCHE Le voyant d'alimentation s'allume et le générateur de vapeur remplira automatiquement le cuisinier de vapeur et commencera à le chauffer à la température préglée.

ARRÊT Le voyant d'alimentation s'éteint et le générateur vide le cuisinier de la vapeur.

Minuterie

Réglez le temps de cuisson souhaité ou réglez le temps sur vapeur constante. La minuterie peut être réglée de 0 à 60 minutes.

Lorsque la minuterie atteint 0, l'avertisseur retentit et la vapeur cesse de pénétrer dans le compartiment de cuisson. Mettez la minuterie en position d'arrêt pour arrêter l'avertisseur. Si la vapeur constante est sélectionnée, le cuisinier à vapeur fournira de la vapeur en continu et la minuterie n'effectue pas de compte à rebours.

Voyant Prêt

Le voyant Prêt indique que le cuisinier est prêt pour la cuisson.

Voyant de cuisson

Le voyant de cuisson indique que le cuisinier est en mode de cuisson.

Voyant SonicSafe

Le voyant SonicSafe indique que la prévention de tartre ultrasonique fonctionne.

Voyant de service d'appel

Le voyant de service d'appel indique que la prévention de tartre SonicSafe est inopérante. Appelez le service autorisée pour effectuer des réparations.

PRÉCHAUFFAGE

Le compartiment de cuisson doit être préchauffé avant la première utilisation de la journée ou lorsqu'ils sont froids.

Quand le voyant Prêt s'allume, réglez la minuterie à 5 minutes. Le voyant de cuisson s'allume. Lorsque l'avertisseur retentit, tournez la minuterie vers la position OFF (arrêt). Le cuisinier vapeur est prêt à cuire.

FONCTIONNEMENT

COMMANDES

Une fois terminé, un avertisseur retentit et la vapeur cesse d'être fournie à la chambre de cuisson. Éteignez la minuterie pour arrêter l'avertisseur.

AVIS

Les commandes de SonicSafe sont illustrées à la figure 3.

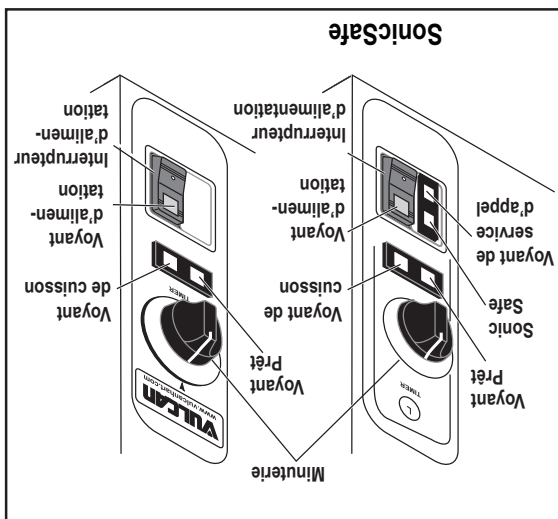


Figure 3

Voyant de l'interrupteur d'alimentation principal

MARCHE Le générateur de vapeur remplira automatiquement le cuiseur de vapeur et commencera à le chauffer à la température préréglée.

ARRÊT Le générateur de vapeur se vidange, le voyant d'alimentation s'éteint.

Voyant Prêt

Le voyant Prêt indique que le cuiseur est prêt pour la cuisson.

Voyant de cuisson

Le voyant de cuisson indique que le cuiseur est en mode de cuisson.

Minuterie

Réglez le temps de cuisson (0 à 60 minutes). La cuisson à la vapeur débute la cuisson lorsque la porte sera fermée. Le cycle de cuisson est interrompu si la porte est ouverte pendant le cycle de cuisson; reprenez la cuisson en fermant la porte.

AVERTISSEMENT Le cuiseur vapeur et ses pièces sont chauds. Faites attention lorsque vous utilisez, nettoyez ou entreenez le cuiseur vapeur. Le compartiment de cuisson contient de la vapeur vive. Éloignez-vous lorsque vous ouvrez la porte.

PREMIERS PAS

Après avoir installé le cuiseur vapeur, et que tous les raccordements mécaniques ont été effectués, testez le cuiseur vapeur complètement avant de l'utiliser. Vérifiez que les raccordements appropriés de l'alimentation en eau, du drain ainsi que les raccordements électriques ont été effectués.

2. Ouvrez le robinet d'eau.
3. Appuyez sur l'interrupteur d'alimentation pour le mettre en position ON (marche). Patientez environ 8 à 10 minutes.

4. Ouvrez la porte et observez que la vapeur n'entre pas dans le compartiment, que le voyant Prêt est allumé et que le voyant de cuisson est éteint.

5. Réglez la minuterie sur 5 minutes. Fermez la porte du compartiment. Le témoin de cuisson doit s'allumer et vous devez entendre la vapeur pénétrer dans le compartiment. Patientez environ 2 à 3 minutes.

6. Vérifiez le tuyau d'évacuation pour vous assurer que l'eau du clapet du condensateur d'eau froide s'écoule dans le tuyau d'évacuation.

7. Ouvrez la porte du compartiment et observez que la vapeur n'entre plus dans le compartiment et que le voyant de cuisson est éteint.

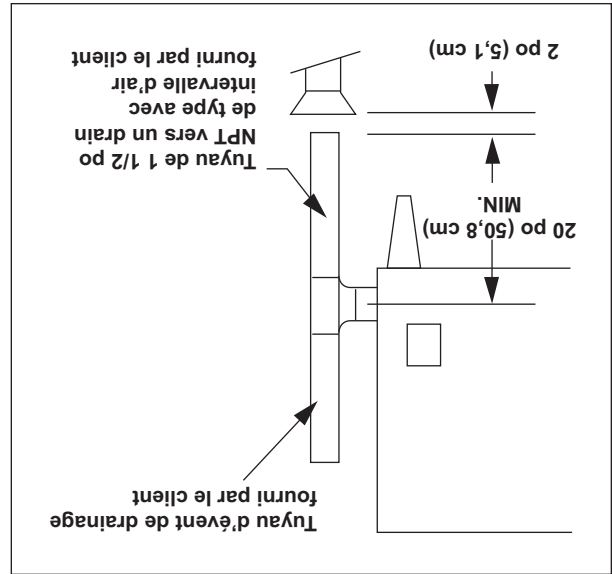
8. Fermez la porte du compartiment et laissez le cycle de cuisson s'achever. Lorsque la minuterie retourne sur 0, un avertisseur retentit pour signaler la fin du cycle de cuisson. Pour arrêter l'avertisseur, mettez la commande de minuterie en position d'arrêt.

9. Pour arrêter le cuiseur à vapeur, mettez l'interrupteur d'alimentation en position d'arrêt. Laissez la porte du compartiment légèrement ouverte pour permettre à l'intérieur de sécher.

Les codes locaux peuvent exiger que le cuisinier à vapeur soit situé sous une hotte de ventilation. Les renseignements sur la construction et l'installation des hottes de ventilation peuvent être obtenus de la dernière édition *Vapor Removal from Cooking Equipment* (Retrait de la vapeur d'un équipement de cuisson), norme NFPA n° 96.

HOTTE DE VENTILATION

Figure 2



Les températures dans le drain peuvent brièvement atteindre une température élevée de 100 °C (212 °F). Les codes locaux peuvent exiger que la température de l'eau du drain ne soit pas supérieure à 60 °C (140 °F). Un moyen pour abaisser la température de l'eau doit être fourni par l'installateur ou l'installateur pour répondre à l'exigence de ce code.

RACCORDEMENT DE PLOMBERIE

Raccordement à l'alimentation en eau

AVERTISSEMENT Le raccordement de plomberie doit être conforme aux codes sanitaires, de sécurité et de plomberie.

Besoins en eau

Une bonne qualité d'eau peut améliorer le goût des aliments préparés dans le cuisinier vapeur, réduire le chauffage dans le générateur de vapeur et prolonger la durée de vie de l'équipement. Les conditions hydrologiques varient d'un endroit à un autre. Communiquez avec votre fournisseur d'eau municipale pour obtenir plus de détails sur votre approvisionnement local en eau avant de procéder à l'installation. La présence des sédiments, de la silice et d'un excès de chlore ou d'autres solides dissous peut conduire à des recommandations relatives à d'autres procédés de traitement de l'eau. Testez l'eau à l'aide du bâtonnet diagnostique qui accompagne le cuisinier vapeur. D'autres facteurs qui affectent la production de vapeur sont la teneur en fer, la quantité de chlore et les gaz dissous.

Traitement de l'eau

Un spécialiste local du traitement de l'eau doit être consulté avant l'installation de l'équipement de production de vapeur.

Pression d'admission	20 psig pression d'écoulement – 60 psig pression statique –	Dureté	Pas plus de 3 grains	Silice	moins de 13 ppm	Chlore total	moins de 0,5 ppm	Plage de PH	6,5 – 8	Solide non dissous	moins de 5 microns	*17,1 ppm = 1 grain de dureté
-------------------------	--	--------	----------------------	--------	-----------------	--------------	------------------	-------------	---------	--------------------	--------------------	-------------------------------

Si l'alimentation en eau ne répond pas à ces normes, il est nécessaire d'installer un conditionneur d'eau ou un système de filtre à réduction de tartre et de chlore à la canalisation d'eau du générateur. L'utilisation de crêpines ou de filtres à particules n'enlève pas les minéraux de l'eau.

Raccordez le tuyau d'alimentation en eau froide traitée au raccord d'entrée mâle de 19 mm (3/4 po) (filletage extérieur). Raccordez le tuyau d'alimentation (filletage extérieur). Raccordez le tuyau d'alimentation en eau froide non traitée au raccord d'entrée mâle de 19 mm (3/4 po) (filletage extérieur) qui porte le marquage UNTREATED WATER (eau non traitée).

AVIS Ne serrez pas trop les raccords

d'eau. Un serrage excessif des raccords du tuyau endommagera le robinet d'eau. Tournez le raccord du tuyau à la main jusqu'à ce qu'en butée, puis serrez en le tournant 2/3 de tour à l'aide d'une pince. Vérifiez les fuites.

AVIS Si les conduites d'eau se déplacent pendant le fonctionnement de la vanne de remplissage d'eau, un pare-brise doit être ajouté.

Un système de filtre à eau est recommandé pour le tuyau d'alimentation en eau acheminant vers l'entrée pour l'eau traitée. Suivez les recommandations d'utilisation et les instructions d'installation fournies avec le filtre à eau. Si un filtre à eau n'est pas installé, la garantie du générateur de vapeur peut être limitée.

Un robinet d'arrêt manuel doit être fourni dans un emplacement idéal à proximité du cuisinier à vapeur.

RACCORDEMENTS DE VIDANGE

Le tuyau de raccordement de vidange (figure 2) doit être de 1 1/2 po (38 mm) d'ouverture au bas, de préférence avec un seul coude, d'une longueur maximale de 6 pi et raccordé à un drain de type avec intervalle d'air.

AVIS Afin d'éviter toute contre-pression

dans le cuisinier à vapeur, ne raccordez pas de manière permanente à un drain. RÉALISER UN RACCORDEMENT PERMANENT OU SANS INTERVALLE D'AIR PEUT ENDOMMAGER LE CUISEUR À VAPEUR ET ANNULER LA GARANTIE.

Un évent doit être installé pour éviter de créer un vide ou une pression dans la chambre de cuisson. Si deux cuisiniers à vapeur sont superposés, ils doivent disposer de drains et d'évents indépendants.

RACCORDEMENT ÉLECTRIQUE

Le schéma de câblage se trouve sur le panneau droit lorsque vous êtes face au cuisiseur à vapeur. Ce cuisiseur à vapeur est câblé.

⚠ AVERTISSEMENT Les raccordements électriques et à la terre doivent être conformes aux sections applicables du Code national de l'électricité et aux autres codes locaux en matière d'électricité.

Total KW	Tension (V)	Hz	Ph	KW par phase			Intensité (A) par ligne - triphase			Mono- phase	Intensité (A) de circuit disjoncteur	Intensité (A) de fusible ou de disjoncteur	Calibre du câble en cuivre min. 90 °C
				L1-L2	L2-L3	L3-L1	L1	L2	L3				
8,5	208	50/60	1							40,87	60	60	8
8,5	240	50/60	1							35,42	50	50	8
8,5	208	50/60	3	2,12	2,12	2,12	26,54	26,54	26,54	17,70	35	35	10
8,5	240	50/60	3	2,83	2,83	2,83	20,50	20,50	20,50	20,50	30	30	10
8,5	480	50/60	3	2,83	2,83	2,83	10,30	10,30	10,30	10,30	15	15	16
9,25	208	50/60	1							43,57	60	60	6
9,25	240	50/60	1							38,54	50	50	8
9,25	208	50/60	3	2,69	2,69	2,69	28,88	28,88	28,88	20,04	35	35	10
9,25	240	50/60	3	2,83	2,83	2,83	23,15	23,15	23,15	23,15	30	30	10
9,25	480	50/60	3	2,83	2,83	2,83	11,57	11,57	11,57	11,57	15	15	16
15	208	50/60	1							72,12	90	90	4
15	240	50/60	1							62,50	75	75	6
15	208	50/60	3	3,75	3,75	3,75	46,84	46,84	46,84	31,23	60	60	6
15	240	50/60	3	5,00	5,00	5,00	36,08	36,08	36,08	36,08	50	50	8
15	480	50/60	3	5,00	5,00	5,00	18,04	18,04	18,04	18,04	25	25	14
15,75	208	50/60	1							74,82	90	90	4
15,75	240	50/60	1							65,63	80	80	4
15,75	208	50/60	3	4,31	4,31	4,31	46,84	46,84	46,84	49,18	60	60	6
15,75	240	50/60	3	5,00	5,00	5,00	36,08	36,08	36,08	38,79	50	50	8
15,75	480	50/60	3	5,00	5,00	5,00	18,04	18,04	18,04	19,40	25	25	14

2002 National Electric Code
*Fusible à temporisation à deux éléments ou disjoncteur à temps inverse

Taille de circuit (minimum) et taille de fusible/disjoncteur (maximum) compliées conformément au National Electrical Code (ANSI/NFPA 70), édition 2002.

CODES ET NORMES D'INSTALLATION

Aux États-Unis, le cuisiseur à vapeur Vulcan doit être installé en conformité avec :

1. Codes de l'État et codes locaux.
2. National Electrical Code (ANSI/NFPA n° 70, dernière édition) disponible auprès de la National Fire Protection Association, Batterymarch Park, Quincy, MA 02269.
3. Vapor Removal from Cooking Equipment (Retrait de la vapeur d'un équipement de cuisson), (NFPA-96, dernière édition) disponible auprès de la NFPA.

Au Canada, le cuisiseur à vapeur Vulcan doit être installé conformément aux normes et codes ci-après :

1. Codes locaux.
2. Code canadien de l'électricité (CSA C22.2 du n° 3, dernière édition) disponible auprès de l'Association canadienne de normalisation, 5060, Spectrum Way, Mississauga, Ontario, Canada L4W 5N6.

EMPLACEMENT

Prévoyez un espace pour les raccordements électriques et de plomberie. Pour obtenir une bonne circulation d'air à l'arrière, il faut au moins un dégagement de 15,2 cm (6 po). Permettre un accès adéquat pour le fonctionnement et l'entretien du cuisiseur à vapeur (36 po (91,4 cm) à l'avant du cuisiseur à vapeur, 15 po (38 cm) au-dessus du cuisiseur à vapeur et 18 po (45,7 cm) sur le côté droit du cuisiseur à vapeur).

PIEDS DE MISE À NIVEAU

Ce cuisiseur à vapeur est expédié avec quatre pieds de mise à niveau de 2 po. Les pieds de mise à niveau de 4 po sont disponibles en option. Les pieds de 2 po peuvent être retirés et ceux de 4 po en option peuvent être filetés dans les trous sur la partie inférieure de l'unité.

MISE À NIVEAU

À l'aide d'un niveau à bulle ou d'une casserole d'eau dans le bas du cuisiseur à vapeur, ajustez les pieds de mise à niveau ou les pieds sur les pattes réglables pour niveler le cuisiseur d'un côté à l'autre avec une légère inclinaison d'avant en arrière pour

permettre un drainage approprié de la cavité. Après le raccordement de vidange, vérifiez le nivellement en versant de l'eau à l'intérieur du compartiment. Toute l'eau doit s'écouler par l'ouverture à l'arrière de la cavité du compartiment.

AVIS

Le cuisiseur à vapeur doit être installé de niveau d'un côté à l'autre avec une légère inclinaison de l'avant vers l'arrière pour permettre un drainage adéquat.

ANCRAGE DU CUISEUR À VAPEUR

1. Placez le cuisiseur à vapeur à l'emplacement voulu sur le comptoir et marquez les quatre coins. Retirez le cuisiseur à vapeur et percez des trous de 1/2 po comme indiqué dans la figure 1.

2. Appliquez un cordon de RTV ou d'autres joints d'étanchéité NSF homologués autour du bord inférieur du cuisiseur à vapeur. Si vous ancrez le cuisiseur à vapeur, ce joint inférieur est nécessaire pour répondre aux exigences de la norme NSF.

3. Posez le cuisiseur à vapeur sur le comptoir et boulonnez-le fermement à l'aide des boulons de 3/8 po sur 16 po (non fournis).

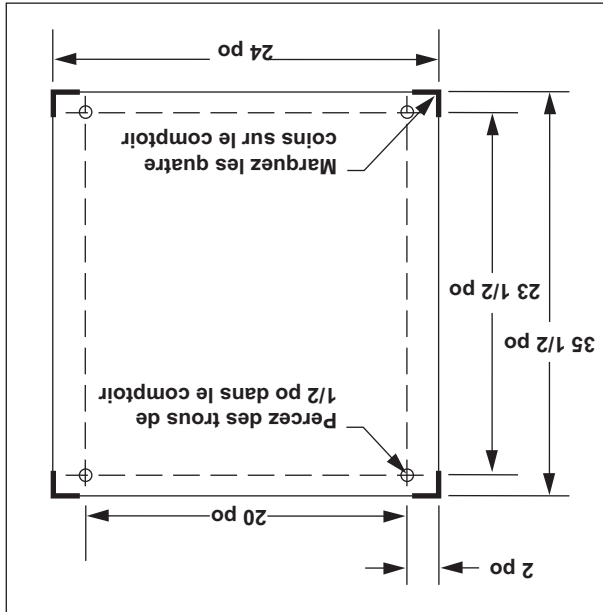


Figure 1

SUPPORT D'EMPLIAGE

Les instructions d'installation des cuisiseurs à vapeur et à convection sur le support d'empliement sont incluses avec le support d'empliement.

INSTALLATION, FONCTIONNEMENT ET ENTRETIEN DES CUISEURS À VAPEUR DE SÉRIE C24EA

VEUILLEZ CONSERVER CE MANUEL EN VUE D'UNE UTILISATION ULTÉRIEURE

OPTION DE PRÉVENTION DE TARTRE

SONICSAFE

Les ondes sonores créent des millions de bulles microscopiques à l'intérieur du générateur de vapeur, provoquant une puissante énergie de vide qui empêche le tartre de se fixer aux parois du vapeur. Le panneau de commande est équipé de voyants lumineux indiquant que le système SonicSafe est en cours de fonctionnement et pour indiquer s'il y a un problème et qu'un service d'entretien est nécessaire. Déterminez une fois par trimestre au lieu d'une fois par mois et changez votre filtre à charbon une seule fois par an.

INSTALLATION

Avant d'installer l'appareil, vérifiez que l'alimentation électrique est conforme aux spécifications de la plaque signalétique située sur le panneau arrière. Si les exigences relatives à l'alimentation et à l'équipement ne sont pas respectées, ne procédez pas à l'installation. Communiquez immédiatement avec votre concessionnaire Vulcan.

Les appareils 208/240 sont livrés pré-câblés pour 208/20/3. Le fonctionnement monophasé et 240 V requiert des modifications au niveau des caractéristiques ci-après de branchement du dispositif de chauffage : 240/60/3, 240/60/1 et 208/60/1. Cet appareil fonctionne à 60 Hz ou 50 Hz. Les appareils 480 V sont livrés pré-configurés pour 480/20/3.

Les appareils LWE ne sont disponibles que pour un fonctionnement triphasé.

DÉBALLAGE

Ce cuiseur à vapeur a été inspecté avant de quitter l'usine. La société de transport assume l'entière responsabilité de la livraison en bon état du fait de l'acceptation de l'expédition. Dès que le matériel est déballé, assurez-vous qu'il n'a subi aucun dommage. Si l'appareil est endommagé, conservez tous les matériaux d'emballage et contactez le transporteur dans un délai de 15 jours.

GÉNÉRALITÉS

Les cuiseurs vapeur et à convection de marque Vulcan sont produits au moyen d'une main-d'œuvre et de matériaux de qualité. Une installation, une utilisation et un entretien appropriés se traduiront par plusieurs années de rendement satisfaisant. Nous vous recommandons de lire attentivement ce manuel dans son intégralité et de suivre soigneusement toutes les instructions fournies.

Les cuiseurs à vapeur et à convection C24EA3 et C24EA5 sont des cuiseurs à vapeur électriques sans pression comportant un seul compartiment et un générateur électrique de vapeur interne qui maintient la température de l'eau à environ 91 °C (195 °F).

Le modèle C24EA3 peut accueillir trois récipients de table à vapeur de 6,4 cm (2 1/2 po) de profondeur. Le modèle C24EA5 peut accueillir cinq récipients de table à vapeur de 6,4 cm (2 1/2 po) de profondeur. Les cuiseurs à vapeur et à convection électrique C24EA3 et C24EA5 sont conçus pour cuire les légumes, les œufs et d'autres aliments, dans les cuisines commerciales. Le cuiseur à vapeur est doté d'une minuterie de 0 à 60 minutes. Les cuiseurs à vapeur sont conçus pour être installés sur un comptoir ou sur des supports en option disponibles chez votre revendeur Vulcan.

OPTION DE VAPEUR SURCHAUFFÉE PROFESSIONNELLE

L'option de vapeur surchauffée brevetée de Vulcan cuit à 235 °F par rapport aux cuiseurs à vapeur atmosphériques conventionnelles à 212 °F.

OPTION CUISEUR À VAPEUR ENERGY STAR

Les capteurs de vapeur intelligents mesurent et régulent en permanence la température et la production de vapeur, réduisant l'accumulation de tartre, la fréquence de changements de filtre et la production excessive de vapeur/eau (jusqu'à 90 %). Remise sur les services publics admissible, le cas échéant.

ENTRETIEN ET NETTOYAGE DE L'ÉQUIPEMENT EN ACIER INOXYDABLE.....13

Les Ennemis De L'acier Inoxydable.....13

Alors, que signifie tout cela? Ne désespérez pas!.....13

Révision.....13

ENTRETIEN.....14

Système de traitement de l'eau.....14

Retrait Des Dépôts Calcaires.....14

Éléments requis (non fournis) :.....14

Appareil professionnel (vidange automatique).....14

Joint D'étanchéité De La Porte.....15

Vidange Du Générateur.....15

CONSEILS DE CUISSON.....16

Préparation.....16

Aliments congelés.....16

Tailles de plateau acceptables.....16

Lignes Directrices Relatives À La Cuisson.....16

Produits À Cuire Dans Des Bacs Non Perforés.....17

Produits À Cuire Dans Des Bacs Perforés.....18

Produits À Cuire Dans Des Bacs Perforés.....19

DÉPANNAGE.....20

RENSEIGNEMENTS SUR L'ENTRETIEN ET LES PIÈCES.....21

NOTES.....22

CONTRÔLE GRATUIT DU NOUVEL ÉQUIPEMENT VULCAN ET WOLF.....23

PROTÉGEZ VOTRE INVESTISSEMENT!.....24

TABLE DES MATIÈRES

2	IMPORTANT POUR VOTRE SÉCURITÉ
5	INSTALLATION, FONCTIONNEMENT ET ENTRETIEN DES CUISEURS À VAPEUR DE SÉRIE C24EA
5	Généralités
5	Option De Vapeur Surchauffée Professionnelle
5	Option Cuiseur À Vapeur Energy Star
5	Option De Prévention De Tarte Sonicsafe
5	Installation
5	Déballage
6	Codes Et Normes D'installation
6	Emplacement
6	Pieds De Mise À Niveau
6	Mise À Niveau
6	Ancrage Du Cuiseur À Vapeur
6	Support D'empilage
7	Raccordement Électrique
8	Raccordement De Plomberie
8	Besoins En Eau
8	Traitement De L'eau
8	Raccordement À L'alimentation En Eau
8	Raccordements De Vidange
9	Hotte De Ventilation
10	Commandes
10	Voyant de l'interrupteur d'alimentation principal
10	Voyant Prêt
10	Voyant de cuisson
10	Minuterie
10	Premiers Pas
11	Fonctionnement
11	Interrupteur d'alimentation principal
11	Minuterie
11	Voyant Prêt
11	Voyant de cuisson
11	Voyant Sonicsafe
11	Voyant de service d'appel
11	Préchauffage
11	Cuisson À La Vapeur
11	Arrêt
11	Arrêt Pour Une Période Prolongée
12	NETTOYAGE
12	Vidange Du Compartiment De Cuisson
12	Purge Du Générateur
12	Compartiment
12	Joint D'étanchéité De La Porte
12	Laisser La Porte Du Compartiment Ouverte

IMPORTANT POUR VOTRE SÉCURITÉ

CE MANUEL EST DESTINÉ AU PERSONNEL QUALIFIÉ POUR INSTALLER CET ÉQUIPEMENT, QUI DOIT EFFECTUER LE DÉMARRAGE ET LES RÉGLAGES INITIAUX SUR LE TERRAIN DE L'ÉQUIPEMENT DÉCRIT DANS LE PRÉSENT MANUEL.

⚠ AVERTISSEMENT

UNE INSTALLATION, UN RÉGLAGE, UNE ALTÉRATION, UN SERVICE OU UN ENTRETIEN INAPPROPRIÉ PEUT PROVOQUER DES DOMMAGES, DES BLESSURES VOIRE LA MORT. LISEZ ATTENTIVEMENT LES INSTRUCTIONS RELATIVES À L'INSTALLATION, AU FONCTIONNEMENT ET À L'ENTRETIEN AVANT D'INSTALLER OU D'ENTREtenir CET ÉQUIPEMENT.

EN CAS DE PANNE D'ÉLECTRICITÉ, N'ESSAYEZ PAS DE FAIRE FONCTIONNER CET APPAREIL.

CUISEURS À VAPEUR ET À CONVECTION ELECTRIQUES DE COMPTOIR MODELES

C24EA3

ML-136037 208/240 V 1/3 9,25 KW PRO

ML-136037 C24EA3 208/240 V 9,25 KW PRO

ML-136038 C24EA5 208/240 V 15,75 KW PRO

ML-136044 480 V PH 1/3 9,25 KW PRO

ML-152049 208/240 V PH 1/3 8,5 KW PLUS

ML-152050 480 V PH 1/3 8,5 KW PLUS

ML-152057 208/240 V PH 1/3 8,5 KW PLUS/SONIC

ML-152058 208/240 V PH 1/3 9,25 KW PRO/SONIC

ML-152059 208/240 V PH 3 8,5 KW LWE/SONIC

ML-152060 480 V PH 1/3 8,5 KW PLUS / SONIC

ML-152061 480 V PH 1/3 9,25 KW PRO / SONIC

ML-152062 480 V PH 3 8,5 KW LWE / SONIC

C24EA5

ML-136038 208/240 V 15 KW PLUS

ML-136047 480 V PH 1/3 15,75 KW PRO

ML-152031 208/240 ou 480 V PH 3 15 KW LWE

ML-152051 208/240 V PH 1/3 15 KW PLUS

ML-152052 480 V PH 1/3 15 KW PLUS

ML-152063 208/240 V PH 1/3 15 KW PLUS/SONIC

ML-152064 208/240 V PH 1/3 15,75 KW PRO/SONIC

ML-152065 208/240 V PH 3 15 KW LWE/SONIC

ML-152066 480 V PH 1/3 15 KW PLUS / SONIC

ML-152067 480 V PH 1/3 15,75 KW PRO / SONIC

ML-152068 480 V PH 3 15 KW LWE / SONIC

Pour de plus amples renseignements sur Vulcan ou pour localiser un fournisseur agréé de pièces ou de services dans votre région, visitez notre site à l'adresse www.vulcanequipment.com

VULCAN

DIVISION DE ITW FOOD EQUIPMENT GROUP, LLC

WWW.VULCANEQUIPMENT.COM

FORMULAIRE F37523 Rév. C (4-20)

BALTIMORE, MD 21222

3600 NORTH POINT BLVD.

