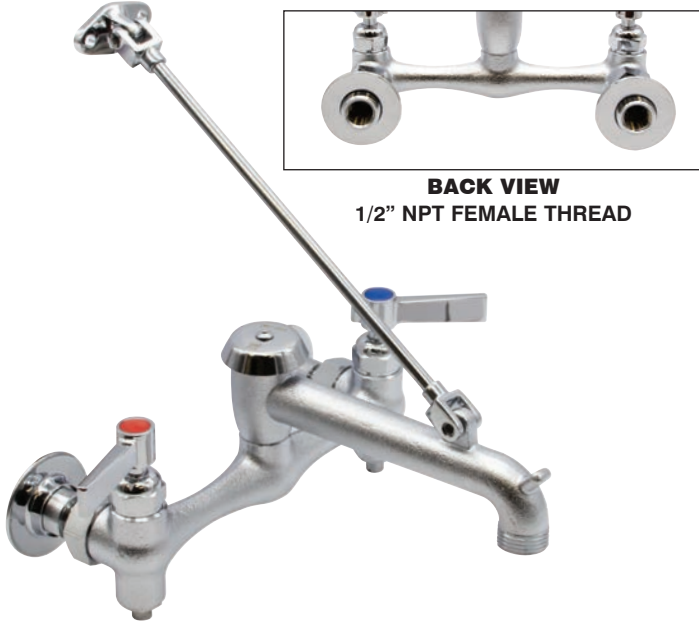




K-240 SERVICE FAUCET FOR MOP SINKS

Item #: _____ Qty #: _____
 Model #: _____
 Project #: _____



BACK VIEW
1/2" NPT FEMALE THREAD

FEATURES:

- 8" O.C. water supply.
- Quarter turn wedge style handles with colored hot & cold indexes.
- 9.6 GPM/36.3 LPM.
- Wall support bracket & pail hook.
- Vacuum breaker. Built-in stops.
- Garden hose outlet.

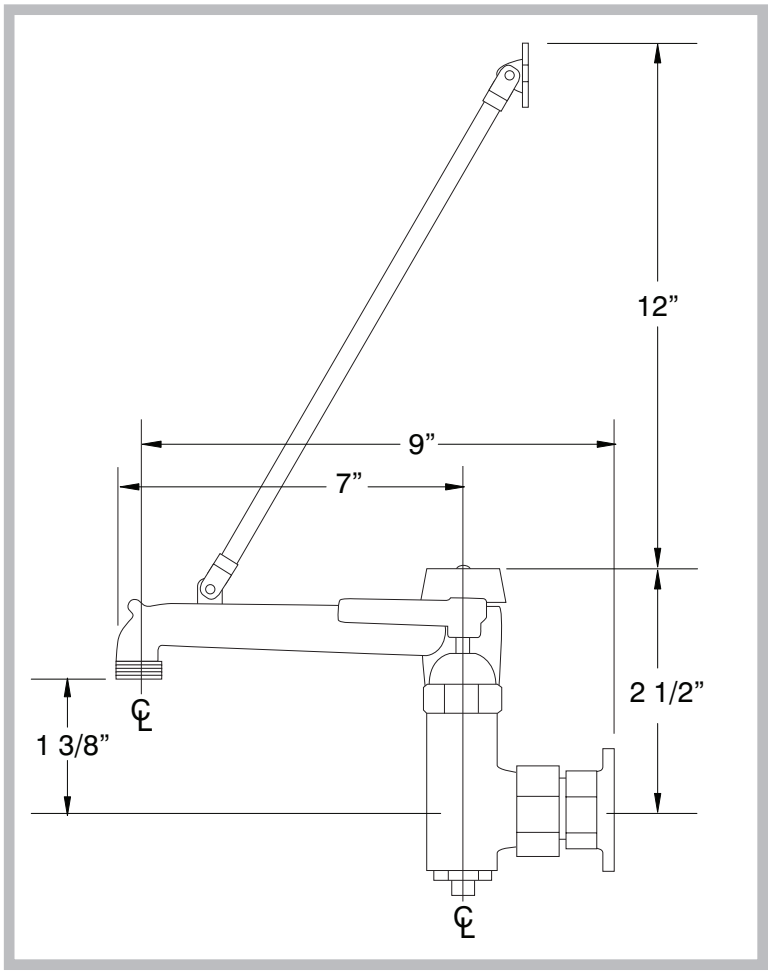
MATERIAL:

- Brass chrome plated body & spout.
- Chrome plated handles.



Click This Link To View Assembly Sheet

DIMENSIONS and SPECIFICATIONS



Options & Accessories

Replacement Vacuum Breaker Repair Kit For K-240
K-03

Faucet Repair Kit*
K-00B (Set of 2)

Includes 2 Cartridges and 2 Handles With Red & Blue Indexes

*Can Only Be Used On Faucets Purchased After January 2016. For Older Faucets, Consult Customer Service.

⚠ WARNING:
Faucet(s) on this page may expose you to chemicals, including lead, that are known to the State of California to cause cancer or birth defects or other reproductive harm. For more info, visit www.p65warnings.ca.gov.

ADVANCE TABCO SMART FABRICATION www.advancetabco.com

Customer Service Available To Assist You 1-800-645-3166 8:30 am - 7:00 pm E.S.T.

For Orders & Customer Service:
Email: customer@advancetabco.com or Fax: 631-242-6900

For Smart Fabrication™ Quotes:
Email: smartfab@advancetabco.com or Fax: 631-586-2933