



STAINLESS STEEL MOBILE DRAWER CABINET

FEATURES:

TOP is furnished with a 2" x 1" die embossed NO-DRIP countertop edge.

Fully enclosed drawer cabinet utilizes 20" x 20" x 5" or 20" x 15" x 5" Self closing **SHD Series Drawers** with Integral Draw Slides & stainless steel drawer inserts.

NSF approved.

MDC-2020 & MDC-2015 working height facilitates storage under open base worktables.

Drawer locks (**TA-14-SHD**) available.

CONSTRUCTION:

All TIG welded. Exposed weld areas polished to match adjacent surfaces.

Entire top is mechanically polished to a satin finish and is sound deadened.

Hat section secured to top reinforces and maintains level working surface.

MATERIAL:

TOP: 16 gauge stainless steel type "304" series.

CABINET BASE: 18 gauge stainless steel type "430" series.

(4) 5" Swivel Polyurethane Bolt-on Casters, (2) with Brakes.

Item #: _____ Qty #: _____
 Model #: _____
 Project #: _____



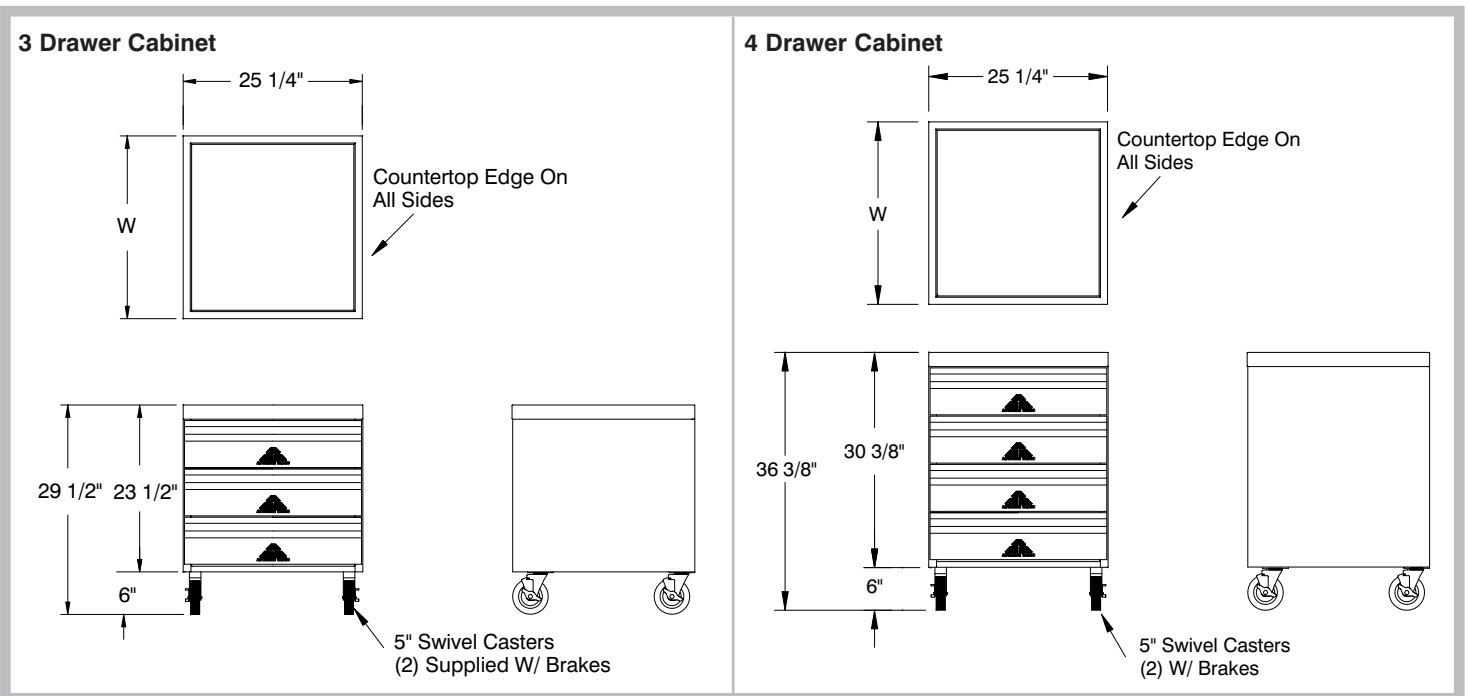
MDC-2020 Shown

MODEL #	Length	(W) Width	Height	# of Drawers	Drawer Size	Wt.
MDC-2020	25 1/4"	25 3/4"	29 1/2"	3	20" X 20"	145 lbs.
MDC-4-2020	25 1/4"	25 3/4"	36 3/8"	4	20" X 20"	175 lbs.
MDC-2015	25 1/4"	21 3/4"	29 1/2"	3	20" X 15"	135 lbs.
MDC-4-2015	25 1/4"	21 3/4"	36 3/8"	4	20" X 15"	165 lbs.

DETAILS and SPECIFICATIONS

TOL ± .500"

ALL DIMENSIONS ARE TYPICAL



Customer Service Available To Assist You **1-800-645-3166** 8:30 am - 7:00 pm E.S.T.

For Orders & Customer Service:

Email: customer@advancetabco.com or Fax: 631-242-6900

For Smart Fabrication™ Quotes:

Email: smartfab@advancetabco.com or Fax: 631-586-2933