



STAINLESS STEEL  
**MOBILE MIXER & EQUIPMENT TABLES**



**MOBILE MIXER TABLE**



**MIXER EQUIPMENT TABLE**

Drawer Optional

Item #: _____	Qty #: _____
Model #: _____	
Project #: _____	

**MOBILE MIXER TABLES**

O.A. W x L	Model #	Style	Weight
30" x 30"	<b>MT-MS-300</b>	Stainless Steel	85 lbs.
30" x 36"	<b>MT-MS-303</b>	Stainless Steel	95 lbs.
30" x 30"	<b>MT-MG-300</b>	Galvanized	85 lbs.
30" x 36"	<b>MT-MG-303</b>	Galvanized	95 lbs.

**MIXER EQUIPMENT TABLES**

O.A. W x L	Model #	Style	Weight
24" x 30"	<b>AG-MP-30</b>	Stainless Steel	65 lbs.

**MOBILE MIXER TABLE with Tray Slides**

**FEATURES:**

TOP is furnished with a 2" x 1" square die embossed NO-DRIP countertop offset edge with a 1/2" return on 4 sides.  
 Cross Bracing welded to front legs. Cross Bracing on sides is bolted to legs and requires assembly.  
 Pan Rack Slides sized for (6) 18" x 26" pans.

**MATERIAL:**

**MT-MS SERIES - Stainless Steel Base**

TOP is 14 gauge stainless steel type "304" series with galvanized understructure.  
 LEGS are 1 5/8" diameter, stainless steel. Gussets are stainless steel. (4) 5" swivel casters with rubber wheels. (2) with brakes  
 PAN RACK is aluminum with 2" tray slide spacing.

**MT-MG SERIES - Galvanized Base**

TOP is 14 gauge stainless steel type "304" series with galvanized understructure.  
 LEGS are 1 5/8" diameter, galvanized steel. Gussets are galvanized steel.  
 (4) 5" swivel casters with rubber tires. (2) with brakes.  
 PAN RACK is aluminum with 2" tray slide spacing.

**MIXER EQUIPMENT TABLE**

**FEATURES:**

TOP is furnished with a 2" x 1" square die embossed NO-DRIP countertop offset edge with a 1/2" return on 4 sides.  
 Aluminum die cast "leg to shelf" clamp secures shelf to leg eliminating unsightly nuts and bolts. Undershef is adjustable.  
 Pre-engineered angle adapters insure ease of future drawer installation (Mixer Equipment Table Only).  
 Stainless steel handle and two rubber bumpers secured to table top.

**MATERIAL:**

**AG-MP-30**

TOP is heavy gauge stainless steel type "430" series with galvanized understructure.  
 UNDERSHELF is galvanized steel.  
 LEGS are 1 5/8" dia. tubular galvanized steel with galvanized steel gussets and (2) 1" adjustable plastic bullet feet.  
 (2) 5" swivel casters with brakes supplied.

**CONSTRUCTION:**

Roll formed embossed galvanized hat channels are secured to top by means of structural adhesive and weld studs.  
 Gussets welded to support hat sections.  
 All TIG welded. Exposed weld areas finished to match adjacent surfaces.  
 Entire Top is mechanically polished to a satin finish and is sound deadened.



**Customer Service Available To Assist You 1-800-645-3166 8:30 am - 7:00 pm E.S.T.**

For Orders & Customer Service:  
 Email: customer@advancetabco.com or Fax: 631-242-6900

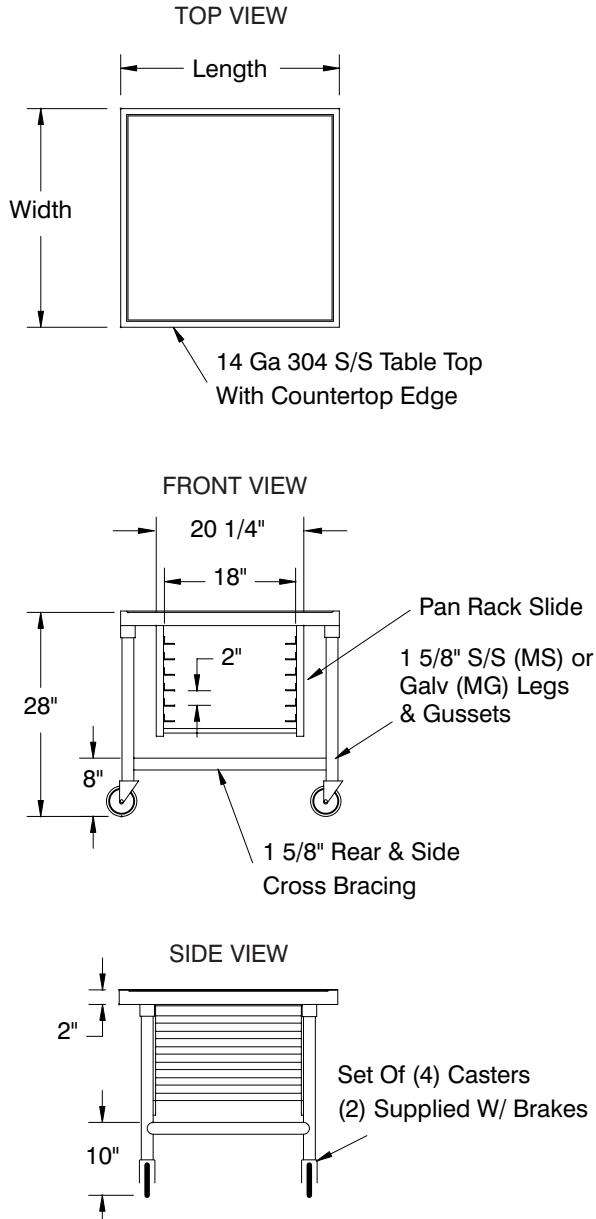
For Smart Fabrication™ Quotes:  
 Email: smartfab@advancetabco.com or Fax: 631-586-2933

# DETAILS and SPECIFICATIONS

TOL ± .500"

ALL DIMENSIONS ARE TYPICAL

## MOBILE MIXER TABLE with Tray Slides



## MIXER EQUIPMENT TABLE

