



# STAINLESS STEEL PORTABLE FOOD SHIELDS

Protected by: Patent No. US 9,010,883 B2



PFS-36B Shown with Optional Side Panels

Item #: \_\_\_\_\_ Qty #: \_\_\_\_\_  
 Model #: \_\_\_\_\_  
 Project #: \_\_\_\_\_



FEATURING ADVANCE TABCO'S  
 REVOLUTIONARY CHAMBER LOCK™  
 ROTATION SYSTEM

**Makes Rotating Food Shields Easier Than Ever**

**FEATURES:**

- 15" Front Panel Adjustable Sneeze Guard with Patented Chamber Lock™ Technology
- Reversible Position Support Base
- Shipped K.D.

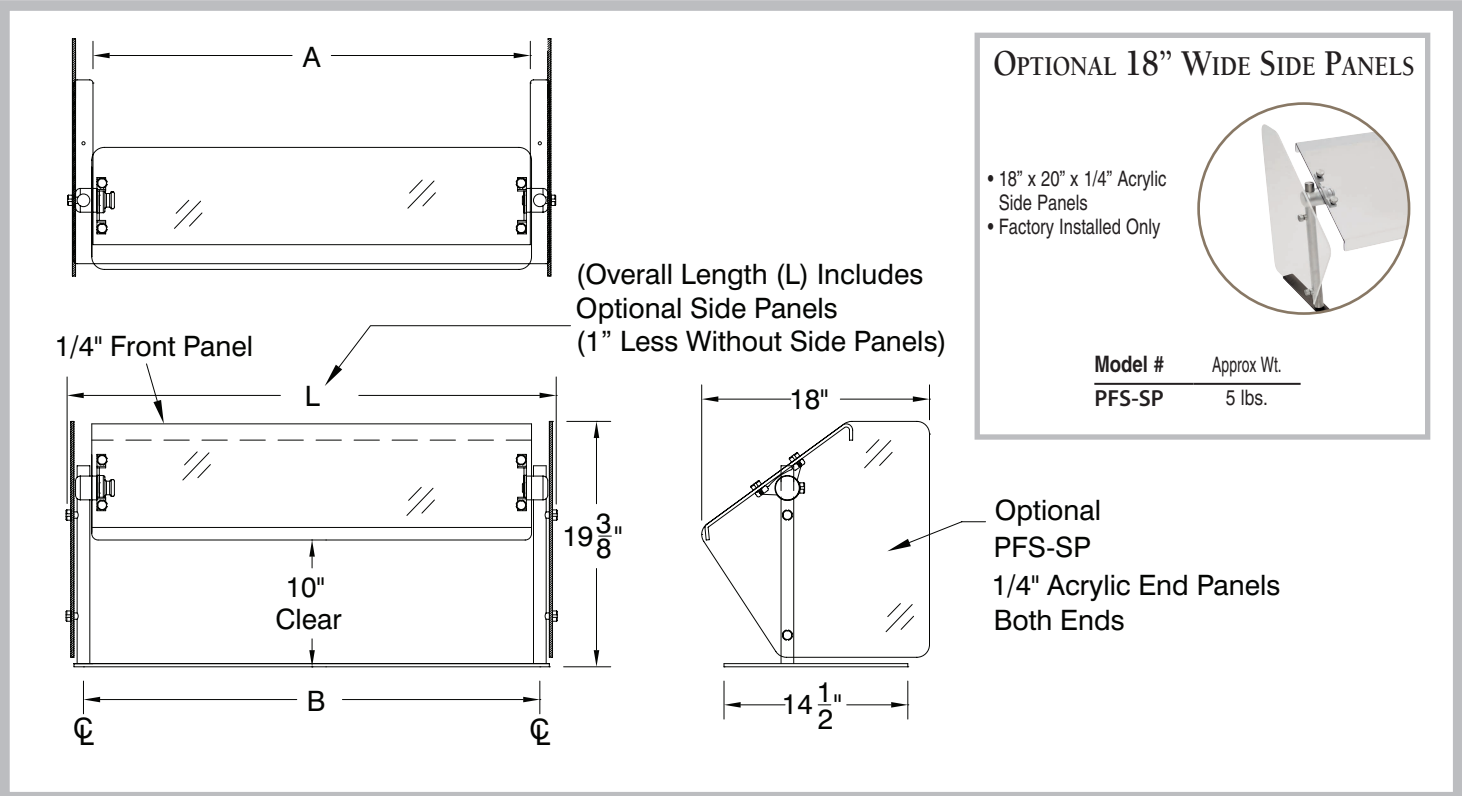
**CONSTRUCTION:**

- All TIG welded.
- 1/4" Thick Thermoplastic Polymer Sneeze Guard
- 1" Stainless Steel Posts
- 1-1/2" Wide x 14-1/2" Front to Back Black Support Base
- Requires Allen Wrench (Not Included)

Model #	O.A. Length (L)	Clearance Length (A)	Nominal Length (B)	Approx. Wt.	Approx. Cu. Ft.
PFS-36B	37 3/4"	34 1/2"	36"	12 lbs.	5
PFS-48B	49 3/4"	46 1/2"	48"	15 lbs.	6
PFS-60B	61 3/4"	58 1/2"	60"	18 lbs.	8
PFS-72B	73 3/4"	70 1/2"	72"	21 lbs.	9

CUSTOM COLORS AVAILABLE - CONSULT FACTORY

TOL ± .500" **DETAILS and SPECIFICATIONS** ALL DIMENSIONS ARE TYPICAL



ADVANCE TABCO  
SMART FABRICATION™  
www.advancetabco.com

**Customer Service Available To Assist You 1-800-645-3166 8:30 am - 7:00 pm E.S.T.**

For Orders & Customer Service:  
 Email: customer@advancetabco.com or Fax: 631-242-6900

For Smart Fabrication™ Quotes:  
 Email: smartfab@advancetabco.com or Fax: 631-586-2933