



STAINLESS STEEL Free-Standing Bar Drainboards NSF 18" and 21" Wide Units

Item #: _____ Qty #: _____
 Model #: _____
 Project #: _____



SLD Series
18" Wide Units

FEATURES:

Embossed and seamless drainboard with drain.
 4" backsplash.
 Galvanized legs with adjustable plastic bullet feet.
 Adjustable galvanized side cross-bracing.
CRD Series has rear deck for extra storage.

MECHANICAL:

1" IPS drain

MATERIAL:

22 gauge, 300 stainless steel
Sides: 20 gauge, 430 stainless steel
Understructure: 22 gauge galvaneal front/back;
 11 gauge electrogalvaneal leg channel
Legs: 1 5/8" O.D. 18 gauge, galvanized steel with adjustable plastic bullet feet

OPTIONAL:

- SU-10A** - 18" stainless steel legs with cross-bracing
- SU-40** - Prep unit for installation of speed rail
- SU-68** - Omit corrugation on drainboard
- SU-1824R or L** - Make SLD-2-X a corner drainboard
- SU-2124R or L** - Make CRD-2-X a corner drainboard



CRD Series
21" Wide Units

18" WIDE			21" WIDE			
Model #	Approx. Weight	Approx. Cu. Ft.	Model #	Approx. Weight	Approx. Cu. Ft.	O.A. Length (A)
SLD-12	26 lbs.	7	CRD-12	28 lbs.	8	12"
SLD-18	29 lbs.	7	CRD-18	30 lbs.	8	18"
SLD-2	35 lbs.	7	CRD-2	39 lbs.	8	24"
SLD-30	40 lbs.	10	CRD-30	41 lbs.	12	30"
SLD-3	42 lbs.	10	CRD-3	47 lbs.	12	36"
SLD-4	55 lbs.	12	CRD-4	51 lbs.	16	48"



Customer Service Available To Assist You 1-800-645-3166 8:30 am - 7:00 pm E.S.T.

For Orders & Customer Service:
 Email: customer@advancetabco.com or Fax: 631-242-6900

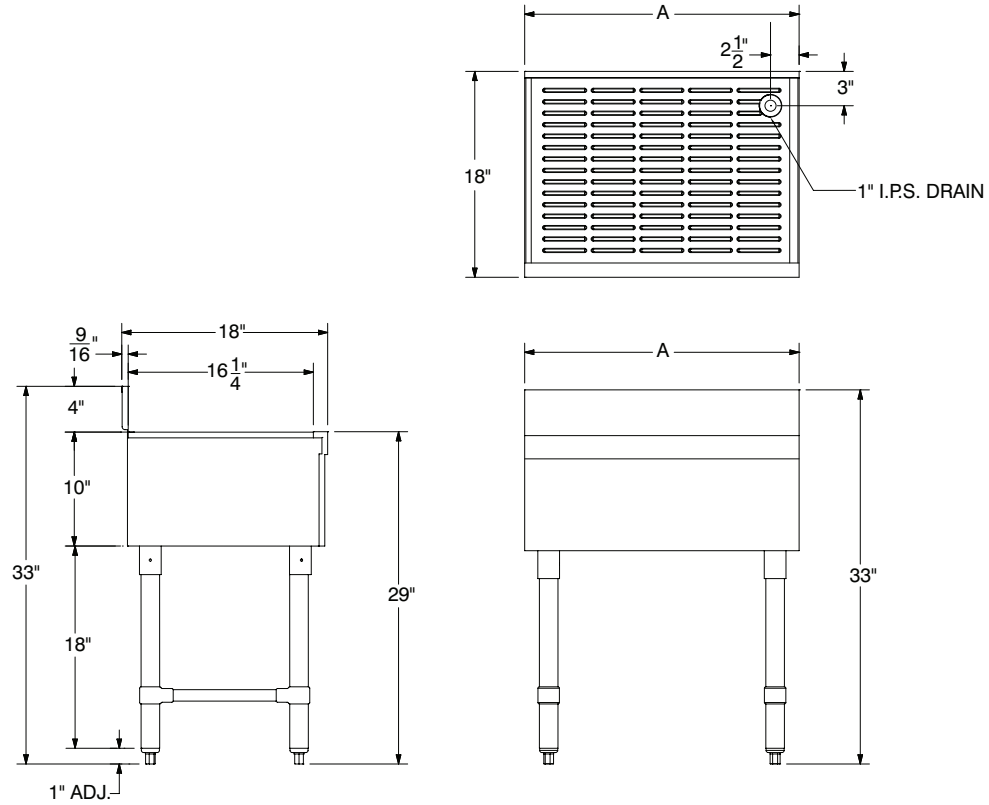
For Smart Fabrication™ Quotes:
 Email: smartfab@advancetabco.com or Fax: 631-586-2933

DIMENSIONS and SPECIFICATIONS

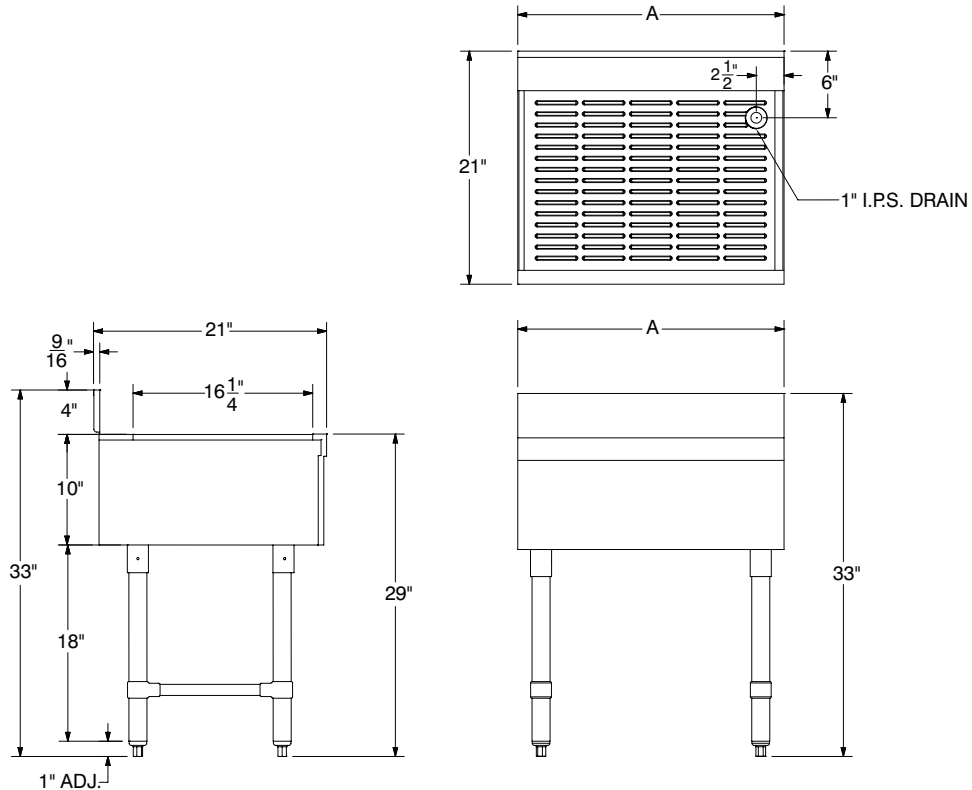
TOL Overall: $\pm .500"$ Interior: $\pm .250"$

ALL DIMENSIONS ARE TYPICAL

SLD Series



CRD Series



ADVANCE TABCO is constantly engaged in a program of improving our products. Therefore, we reserve the right to change specifications without prior notice.