



PORTABLE BAR WITH STAINLESS STEEL WORK TOP



Item #: _____	Qty #: _____
Model #: _____	
Project #: _____	

Designed For Light-Duty Use By Small Hotels, VFW Halls And Catering Facilities

**Custom Colors Available!
(Exterior Only. See below for details)**

FEATURES:

Stainless Steel Work Top with integral ice bin.
19" x 13-1/2" x 11" stainless steel insulated integral Ice Bin with cover. Complete with drain & shut-off valve.

D-B-7 MODEL:

19" x 13-1/2" x 11" deep drawn Ice Bin with 7 Circuit Post Mix Cold Plate. Includes Stainless Steel bottom, complete with drain & shut-off valve.
Dual speed rails to hold up to 10 bottles of liquor.
Single Towel Ring.
Open bottom shelf for glass rack storage.
4 - 4" Swivel Casters, 2 with brakes.

MATERIAL:

CONSTRUCTION: Melamine Construction - Organic Compound made with Formaldehyde, black finish.
COUNTERTOP: Stainless Steel .
CASTERS: Rubber.
SPEED RAILS: Stainless Steel.

Model #	Size L x W x H	Bar Top Width	Cubic Feet	Weight
D-B	61" x 24.5" x 43.75"	11"	60	360
D-B-7	61" x 24.5" x 43.75"	11"	60	385

Available Accessories

Three Sided Continuous Bumper - **Model SU-80**
Custom Mica Colors - **Model SU-81**
(Custom colors include exterior finishes only (Bar front and sides. Additional charge for bar top.
All interiors are standard black finish)



Customer Service Available To Assist You 1-800-645-3166 8:30 am - 7:00 pm E.S.T.

For Orders & Customer Service:
Email: customer@advancetabco.com or Fax: 631-242-6900

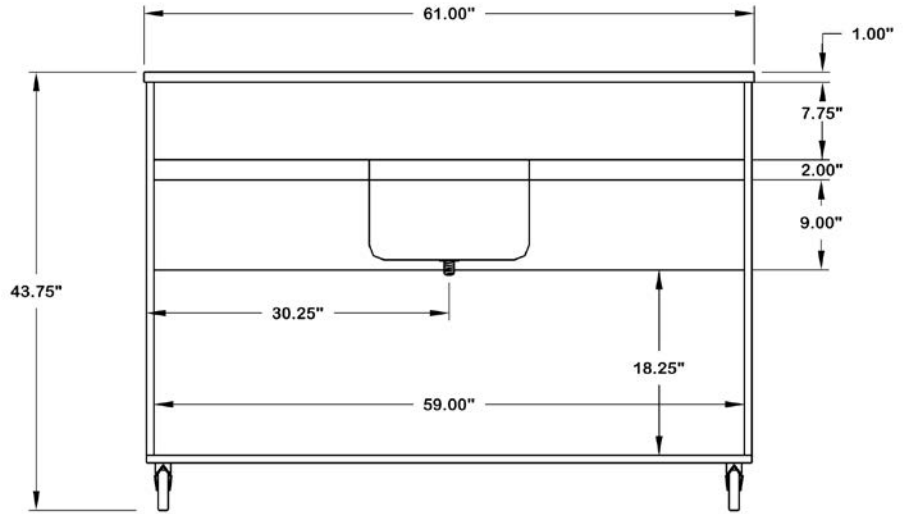
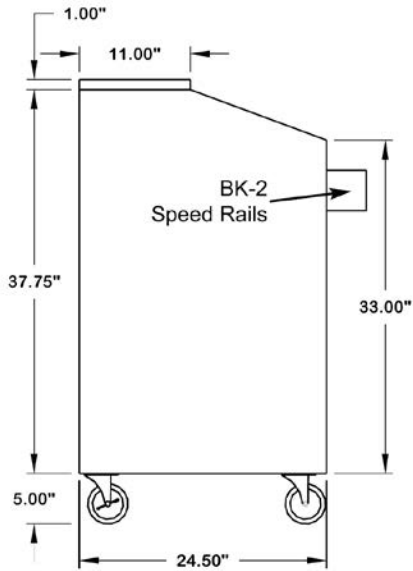
For Smart Fabrication™ Quotes:
Email: smartfab@advancetabco.com or Fax: 631-586-2933

DIMENSIONS and SPECIFICATIONS

TOL ± .125"

ALL DIMENSIONS ARE TYPICAL

D-B SERIES



D-B SERIES WITH 7 CIRCUIT COLD PLATE

