



PRESTIGE *Signature Series* Blender Shelves Exclusively For Prestige Ice Bins



Item #: _____ Qty #: _____
 Model #: _____
 Project #: _____



**15A - 120V Duplex Receptacle
Located Beneath Blender Shelf**

FEATURES:

- All stainless steel construction.
- Grommet hold for blender power cords.
- Includes 15A-120V duplex outlet located beneath shelf.
- Keyhole installation (under shelf).

MATERIAL:

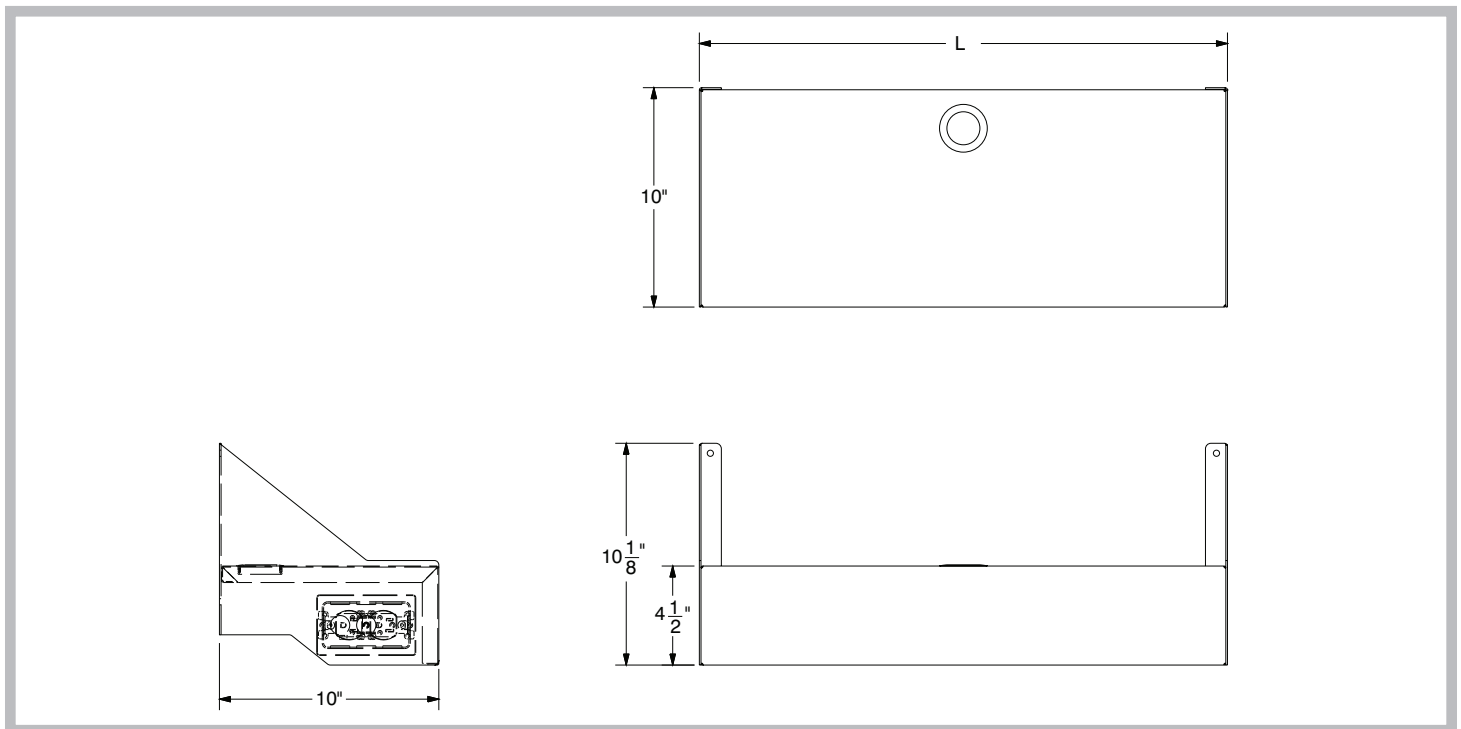
- Sides:** 16 gauge, 304 stainless steel
- Shelf:** 22 gauge, 304 stainless steel

| Model # | Size W x L | Approx. Weight | Approx. Cu. Ft. |
|-----------|------------|----------------|-----------------|
| PRA-BS-12 | 10" x 12" | 12 lbs. | 2 |
| PRA-BS-16 | 10" x 16" | 16 lbs. | 2 |
| PRA-BS-18 | 10" x 18" | 18 lbs. | 2 |
| PRA-BS-24 | 10" x 24" | 28 lbs. | 3 |
| PRA-BS-30 | 10" x 30" | 36 lbs. | 3 |

DETAILS and SPECIFICATIONS

TOL Overall: ± .500" Interior: ± .250"

ALL DIMENSIONS ARE TYPICAL



Customer Service Available To Assist You 1-800-645-3166 8:30 am - 8:00 pm E.S.T.

For Orders & Customer Service:
 Email: customer@advancetabco.com or Fax: 631-242-6900

For Smart Fabrication™ Quotes:
 Email: smartfab@advancetabco.com or Fax: 631-586-2933