

MOTAK

One-section Reach-in Freezer

Model #: MSD-1DF-BAL

Product Details

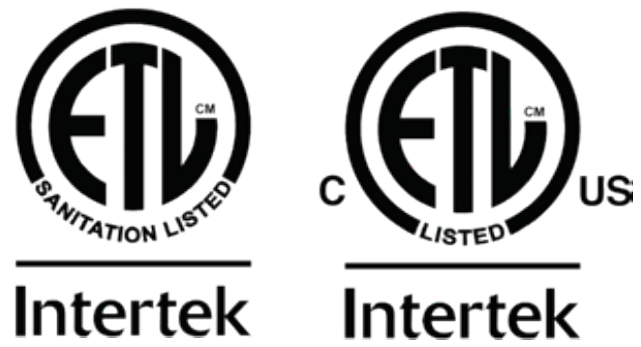
- Eco-friendly R290 refrigerant
- Stainless steel exterior, aluminum interior and back
- Temperature range: -10°F to 0°F
- Self-closing doors with 90° stay-open feature & lock
- Adjustable heavy-duty coated shelves
- Electronic control system makes it easy to adjust temperature set point and defrost frequency
- Condenser coil is easy to access for cleaning and service
- Factory-installed 4-inch swivel casters
- Safety-shielded incandescent interior lighting



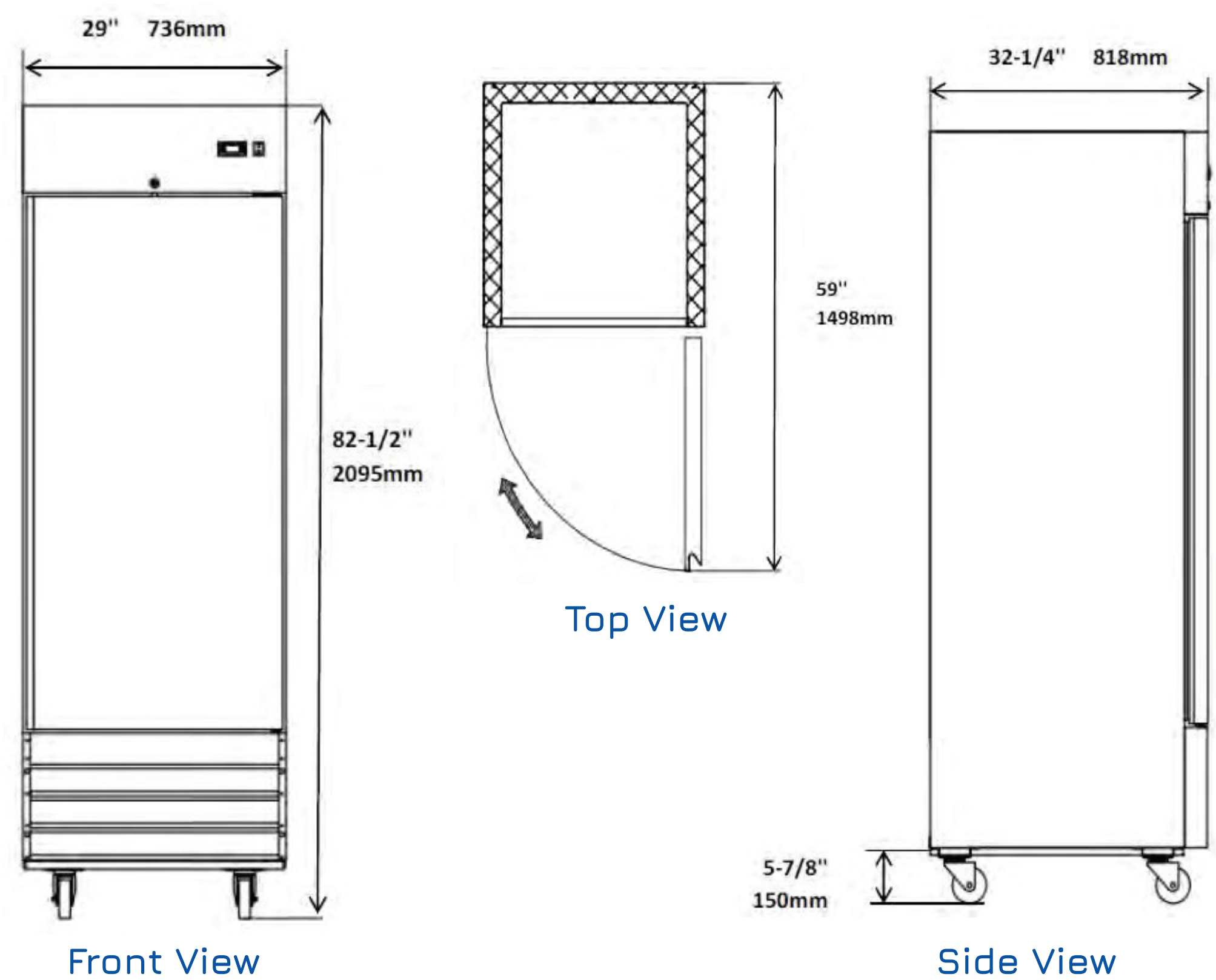
Warranty

2 years parts & labor and additional 3 years on compressor

Certifications



Plan View



Specifications

Model	Doors	Shelves	Cabinet Dims (in)			HP	Voltage	Amps	NEMA Plug	Cord Length (ft)	Crated Weight (lbs)
			Width	Depth	Height						
MSD-1DF-BAL-X	1	3	29"	32.25"	82.5"	1/2+	115/60/1	7.1	5-15P	10 ft.	347 lbs.

Not suitable for installation in non-commercial or residential applications.

MOTAK reserves the right to make changes to the design or specifications without prior notice.