

MOTAK

Bakery Display Case

Model #: MDC36

Product Details

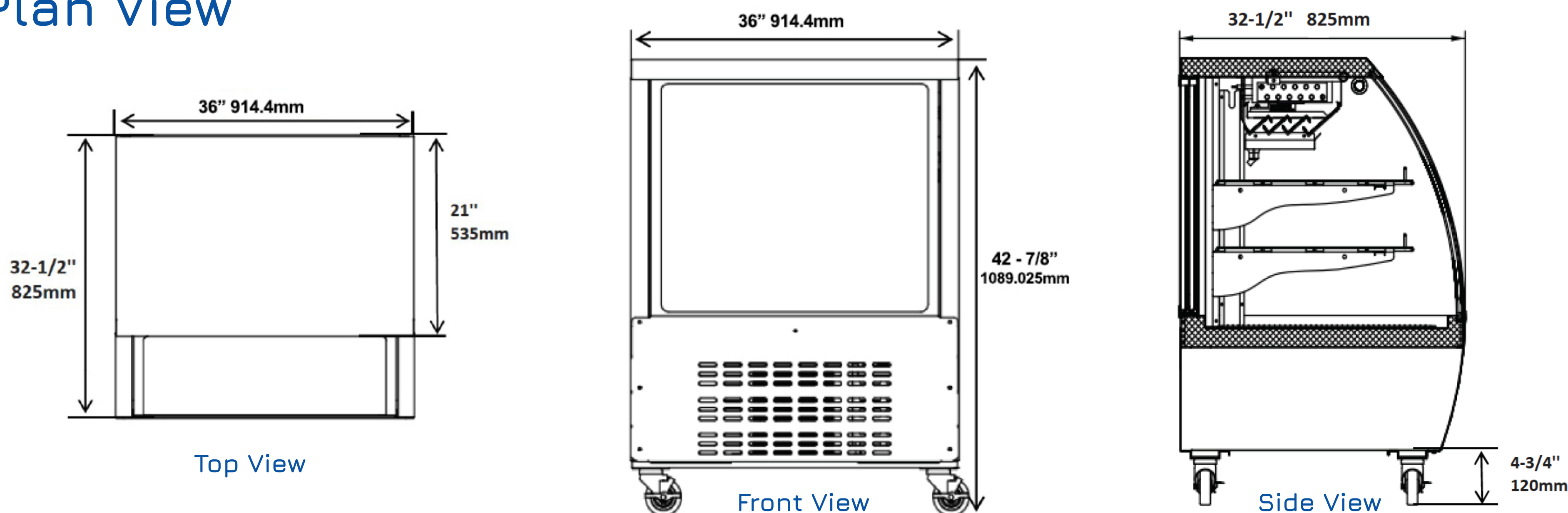
- Aluminum interior liner with stainless steel floor
- Black-coated steel exterior
- Rounded corner design makes it easy to clean inside cabinet
- Attractive curved glass and sliding glass doors
- Refrigeration system keeps meats and deli products at safe temperatures between 32 and 43°F
- Electronic control system makes it easy to adjust temperature set point and defrost frequency
- Efficient LED interior lighting
- Factory-installed 3-inch swivel casters with brakes
- Eco-friendly R290 refrigerant
- Condenser coil is easy to access for cleaning and service
- Adjustable, heavy-duty, PVC-coated shelves

Not suitable for installation in non-commercial or residential applications.

Specifications

Model	Doors	Shelves	Cabinet Dims (in)			HP	Voltage	Amp	NEMA Plug	Cord Length (ft)	Crated Weight (lbs)
			Width	Depth	Height						
MDC36-X	2	4	36"	32.5"	42.875"	1/4	115/60/1	4.68	5-15P	10 ft.	297 lbs.

Plan View



MOTAK reserves the right to make changes to the design or specifications without prior notice.



Warranty

1 year parts & labor and additional 2 years on compressor

Certifications

