

# MOTAK

## Bakery Display Case

Model #: MDC47

### Product Details

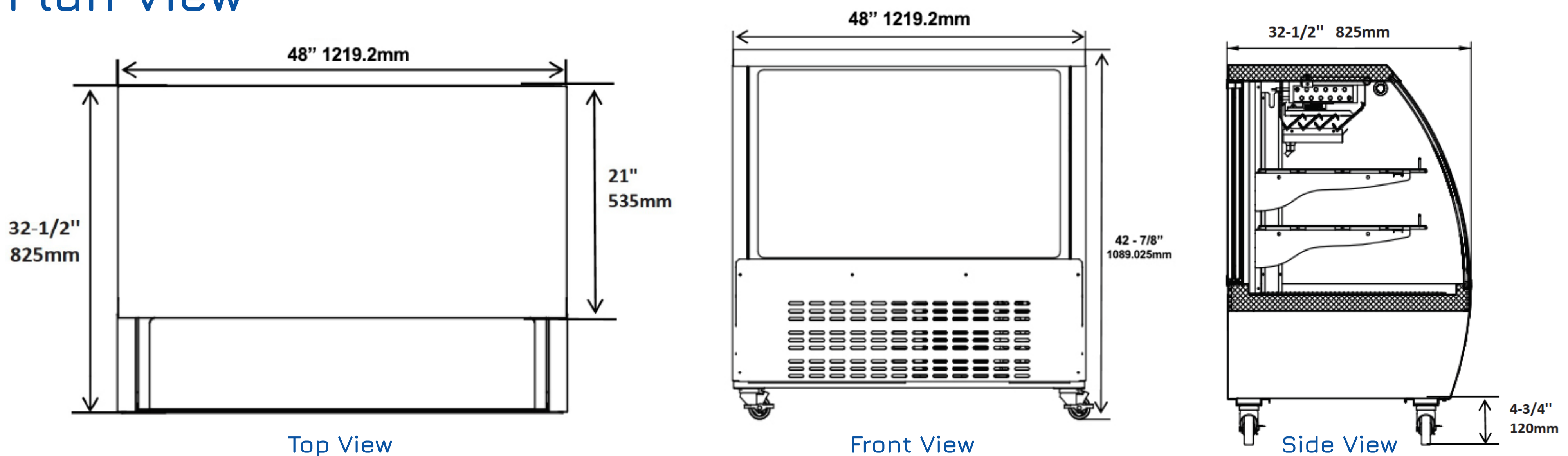
- Aluminum interior liner with stainless steel floor
- Black-coated steel exterior
- Rounded corner design makes it easy to clean inside cabinet
- Attractive curved glass and sliding glass doors
- Refrigeration system keeps meats and deli products at safe temperatures between 32 and 43°F
- Electronic control system makes it easy to adjust temperature set point and defrost frequency
- Efficient LED interior lighting
- Factory-installed 3-inch swivel casters with brakes
- Eco-friendly R290 refrigerant
- Condenser coil is easy to access for cleaning and service
- Adjustable, heavy-duty, PVC-coated shelves

Not suitable for installation in non-commercial or residential applications.

### Specifications

Model	Doors	Shelves	Cabinet Dims (in)			HP	Voltage	Amp	NEMA Plug	Cord Length (ft)	Crated Weight (lbs)
			Width	Depth	Height						
MDC47-X	2	6	48"	32.5"	42.875"	1/4	115/60/1	3.12	5-15P	10 ft.	429 lbs.

### Plan View



MOTAK reserves the right to make changes to the design or specifications without prior notice.



### Warranty

1 year parts & labor and additional 2 years on compressor

### Certifications

